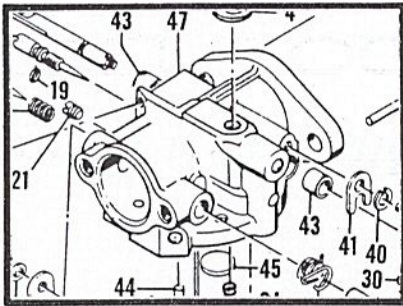


ILLUSTRATED PARTS LIST

TILLOTSON CARBURETORS used on



McCULLOCH
Chain Saw & Kart Engines

● foreword.....

This Illustrated Parts List covers all Tillotson Carburetors used on McCulloch Chain Saw and Kart Engines to date of publication. The individual lists are coded to show the complete usage of each part. For example, item 20 of Figure 1 is used on carburetors having the code letters "A" and "B" appearing in Figure 1 and is also used on carburetors having the code letters "C", "D", "E" and "F" appearing elsewhere in this Parts List. Item 21 of Figure 1 is coded "ALL", indicating that item 21 is used on all carburetors in this Parts List. For your convenience, both McCulloch and Tillotson part numbers are given.

● contents.....

McCulloch Part Number		Page Number	Code
48730	Tillotson Carburetor HL63BX....	5	D
48730A	Tillotson Carburetor HL93A.....	7	G
50687	Tillotson Carburetor HL63A.....	5	C
50687A	Tillotson Carburetor HL63B.....	5	C
51548	Tillotson Carburetors HL19B and HL19C.....	3	A
51984	Tillotson Carburetor HL19D.....	3	B
55874	Tillotson Carburetor HL103A.....	5	F
57812	Tillotson Carburetor HL87A.....	5	E



McCULLOCH CORPORATION
8101 West Century Blvd, Los Angeles 45, Calif

AUGUST 1960
48795

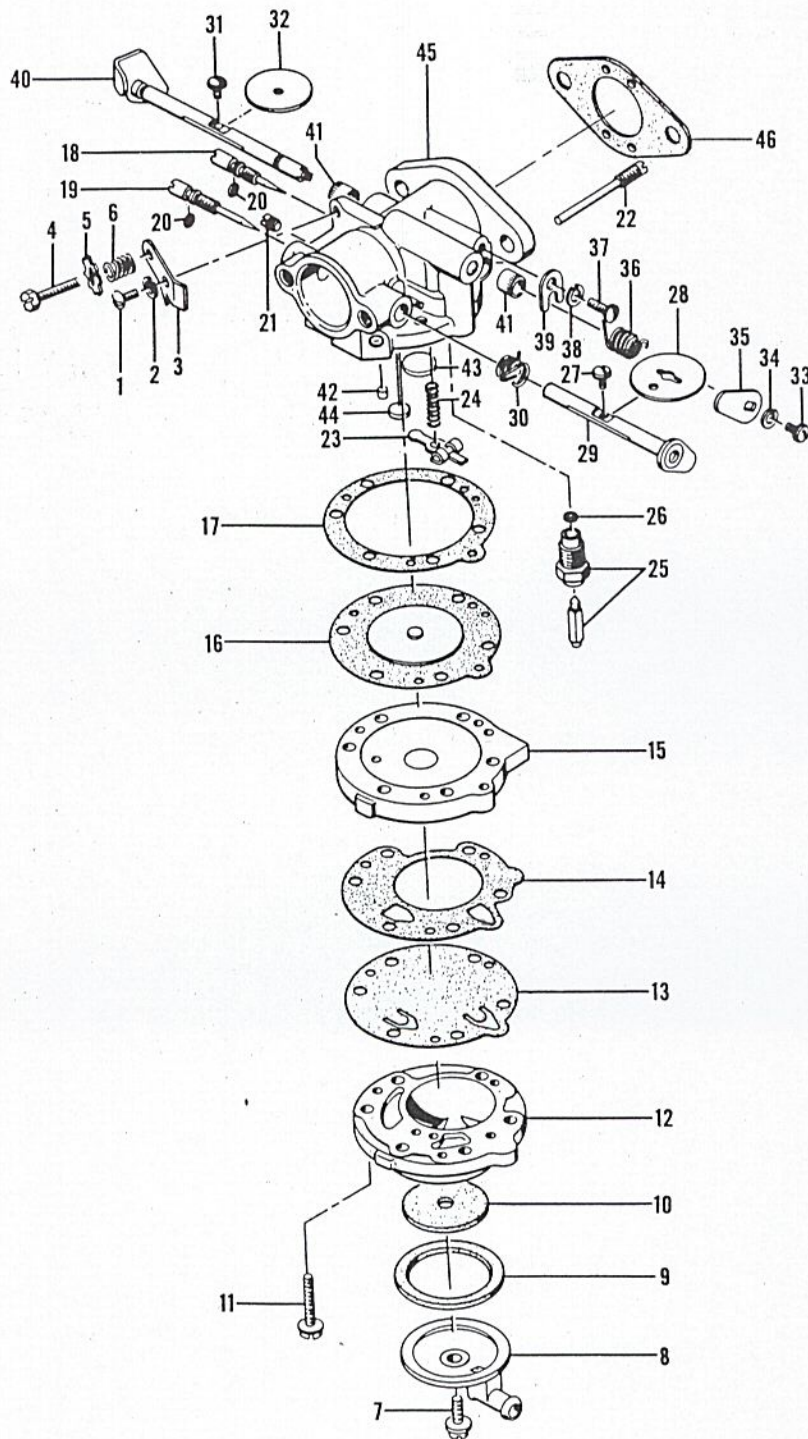


Figure 1. Carburetors, Part Number 51548 and 51984

FIGURE 1. CARBURETORS, P/N 51548 AND 51984

Figure No.	Index No.	McCulloch P/N	Tillotson P/N	Name of Part	No. Req.	Used on These Codes	Also Used on Codes
				Code: "A" indicates parts used on Carburetor P/N 51548 (HL19B and HL19C). "B" indicates parts used on Carburetor P/N 51984 (HL19D).			
1		51548		Tillotson Carburetor Assembly HL19B and HL19C (Replaced by P/N 51948) . . .		A	
		51984		Tillotson Carburetor Assembly HL19D		B	
	1	100362	055	Screw - Fil hd mach 8-32 x 3/8 in. lg . . .	1	A,B	
	2	100252	0992	Lockwasher	1	A,B	
	3	51706	011044	Bracket - Idle adjustment	1	A,B	
	4	*103845	*011045	Screw - Hex hd 8-32 x 5/8 in. lg	1	A,B	
	5	*51549	*011049	Washer - Idle adjustment	1	A,B	
	6	*51705	*0788	Spring - Idle speed	1	ALL	
	7	*51701	*010571	Screw - Fuel strainer cover	1	A,B	
	8	51599	010527	Cover - Fuel strainer	1	A,B	
	9	51704	011102	Gasket - Fuel strainer	1	A,B	C,D,E,F
	10	*51504	*011052	Element - Fuel strainer	1	A,B	
	11	51597	010098	Screw - Fil hd 6-32 x 3/4 in. lg	6	ALL	
	12	51596	010525	Body - Fuel pump	1	A,B	G
	13	*51595	*010531	Diaphragm - Fuel pump	1	ALL	
	14	51594	010880	Gasket - Fuel pump	1	ALL	
	15	51592	010526	Cover - Diaphragm	1	ALL	
	16	*51590	*010579	Diaphragm	1	ALL	
	17	51591	010542	Gasket - Diaphragm	1	ALL	
	18	*51702	*010798	Needle - Idle adjustment	1	A,B	C,F
	19	*51712	*011016	Needle - Main adjustment	1	A,B	C,F
	20	51703	010589	"O" Ring - Adjustment needle	2	A,B	C,D,E,F
	21	51589	02232	Screw	1	ALL	
	22	*51710	*010581	Pin - Fulcrum	1	ALL	
	23	*51709	*010513	Lever - Inlet control	1	ALL	
	24	*51711	*010578	Spring - Inlet tension	1	ALL	
	25	*51707	*010580	Needle, Seat and Gasket Assembly	1	A,B	C,D,E,F
	26	51708	010165	Gasket - Inlet seat	1	ALL	
	27	*51721	*08942	Screw - Sems	1	A,B	C,D,F
	28	51587	09626	Shutter - Choke	1	A,B	C,D,F
	29	51585	011047	Shaft - Choke	1	A,B	
	30	*51586	*011275	Spring - Choke shaft	1	A,B	
	31	*51721	*08942	Screw - Sems	1	A,B	C,D,E,F
	32	51720	08646	Shutter - Throttle	1	A,B	C,D,E,F
	33	*51719	*06393	Screw - Throttle	1	A,B	C,D,E,F
	34	*100261	*06396	Lockwasher - No. 4	1	A,B	C,D,E,F
	35	51718	011152	Lever - Throttle	1	A,B	
	36	51593	011115	Spring - Tension	1	A	
	37	51717	01974	Screw - Throttle shaft	1	ALL	
	38	100252	0992	Lockwasher	1	ALL	
	39	51716	09678	Clip - Throttle shaft	1	ALL	
	40	51714	011054	Shaft - Throttle	1	A	
		55512	011380	Shaft Assembly - Throttle	1	B	
		51588	011277	Carburetor Body Assembly (Replaced by P/N 51588A)	1	A	
		51588A	011381	Carburetor Body Assembly	1	B	
	41	51715	09780	Bushing	2	ALL	
	42	*51582	*010588	Plug	1	ALL	
	43	*51583	*02531	Plug - Welch 3/8 in.	1	ALL	
	44	*51584	*02519	Plug - Welch 1/4 in.	1	A,B	C,D,E,F
	45			Body - Carburetor (Order Carburetor Body Assembly, P/N 51588A)	1	A	
				Body - Carburetor (Order Carburetor Body Assembly, P/N 51588A)	1	B	
	46	51161C		Gasket - Carburetor	1	A,B	C,D,E,F
		*55513	*GS135	Gasket and Packing Set	1	A,B	
		*55514	*RK344	Repair Parts Kit	1	A,B	

*Indicates this part is also in the Repair Parts Kit.

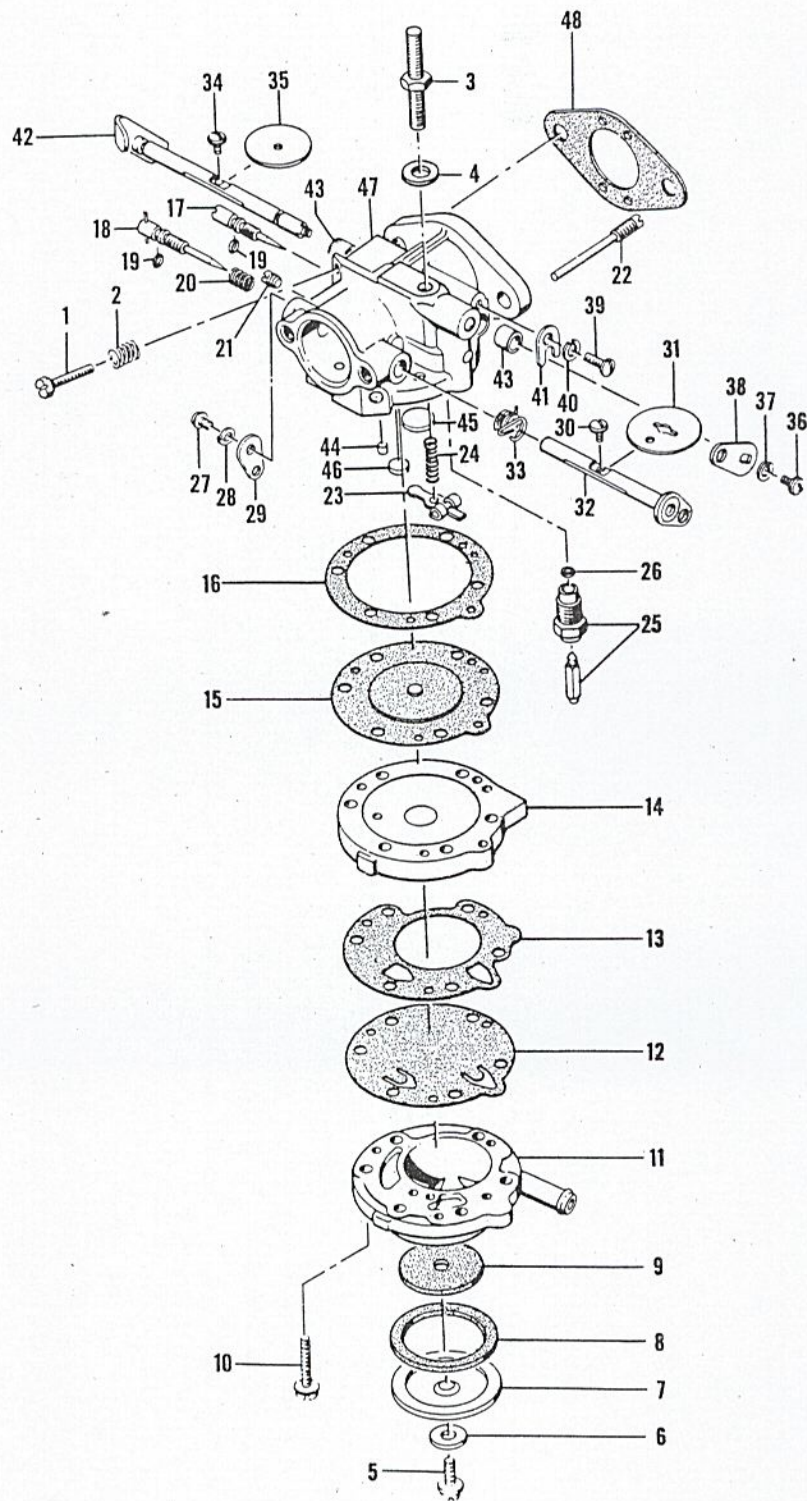


Figure 2. Carburetors, Part Number 50687, 50687A, 48730, 57182 and 55874

FIGURE 2. CARBURETORS, P/N 50687, 50687A, 48730, 57182 AND 55874

Figure No.	Index No.	McCulloch P/N	Tillotson P/N	Name of Part	No. Req.	Used on These Codes	Also Used on Codes
Code: "C" indicates parts used on Carburetors, P/N 50687 and P/N 50687A (HL63A and HL63B).							
"D" indicates parts used on Carburetor, P/N 48730 (HL63BX).							
"E" indicates parts used on Carburetor, P/N 57182 (HL87A).							
"F" indicates parts used on Carburetor, P/N 55874 (HL103A).							
2		50687		Tillotson Carburetor Assembly HL63A (Replaced by P/N 50687A)			
		50687A		Tillotson Carburetor Assembly HL63B		C	
		48730		Tillotson Carburetor Assembly HL63BX (Replaced by P/N 48730A, see figure 3)			D
		57182		Tillotson Carburetor Assembly HL87A			E
		55874		Tillotson Carburetor Assembly HL103A			F
	1	*50799	*011811	. Screw - Idle speed regulating	1	C,D,E,F	
	2	*51705	*0788	. Spring - Idle speed	1	ALL	
	3	50785	011813	. Stud - Air cleaner attaching	1	C,E	
	4	50786	012035	. Gasket - Air cleaner attaching stud	1	C,E	
	5	*50797	*011814	. Screw - Fuel strainer cover retaining ..	1	C,D,E,F	
	6	50798	02817	. Gasket - Fuel strainer cover retaining ..	1	C,D,E,F	
	7	50796	011815	. Cover - Fuel strainer	1	C,D,E,F	
	8	51704	011102	. Gasket - Fuel strainer	1	C,D,E,F	A,B
	9	*50795	*011812	. Element - Fuel strainer	1	C,D,E,F	
	10	51597	010098	. Screw - Fil hd 6-32 x 3/4 in. lg	6	ALL	
	11	50670	011816	. Body - Fuel pump.....	1	C,D,E,F	
	12	*51597	*010531	. Diaphragm - Fuel pump	1	ALL	
	13	51594	010880	. Gasket - Fuel pump	1	ALL	
	14	51592	010526	. Cover - Diaphragm	1	ALL	
	15	*51590	*010579	. Diaphragm	1	ALL	
	16	51591	010542	. Gasket - Diaphragm	1	ALL	
	17	*51702	*01798	. Needle - Idle adjustment	1	C,F	A,B
		*55645		. Needle - Idle adjustment (Includes "O" ring, P/N 51703).....	1	D,E	
	18	*51712	*011016	. Needle - Main adjustment	1	C,F	A,B
		48731	012122	. Needle - Main adjustment	1	D	
		*55644		. Needle - Main adjustment (Includes "O" ring, P/N 51703)	1	E	
	19	51703	010589	. "O" Ring - Adjustment needle	2	C,D,E,F	A,B
	20	48741	011204	. Spring - Main adjustment needle	1	D	
	21	51589	02232	. Screw	1	ALL	
	22	*51710	*010581	. Pin - Fulcrum	1	ALL	
	23	*51709	*010513	. Lever - Inlet control	1	ALL	
	24	*51711	*010578	. Spring - Inlet tension.....	1	ALL	
	25	*51707	*010580	. Needle, Seat and Gasket Assembly	1	C,D,E,F	A,B
	26	51708	010165	. Gasket - Inlet seat	1	ALL	
	27	51719	06393	. Screw - Choke.....	1	C,D	
		51721	08942	. Screw - Sems	1	F	A,B
	28	*100261	*06396	. Lockwasher - No. 4	1	C,D	A,B
	29	51546	011046	. Lever - Choke	1	C,D	
	30	51721	08942	. Screw - Sems	1	C,D,F	A,B
	31	51587	09626	. Shutter - Choke	1	C,D,F	A,B
	32	50789	011819	. Shaft and Lever - Choke.....	1	C,D,F	
	33	*55511	*011275	. Spring - Torsion choke shutter retaining	1	C,D,F	
	34	*51721	*08942	. Screw - Sems	1	C,D,E,F	A,B
	35	51720	08646	. Shutter - Throttle	1	C,D,E,F	A,B
	36	*51719	*06393	. Screw - Throttle	1	C,D,E,F	A,B
	37	*100261	*06396	. Lockwasher - No. 4	1	C,D,E,F	A,B
	38	50804	011809	. Lever - Throttle	1	C,D,E,F	
	39	51717	01974	. Screw - Throttle shaft	1	ALL	

*Indicates this part is also in the Repair Parts Kit.

This list is continued on page 7

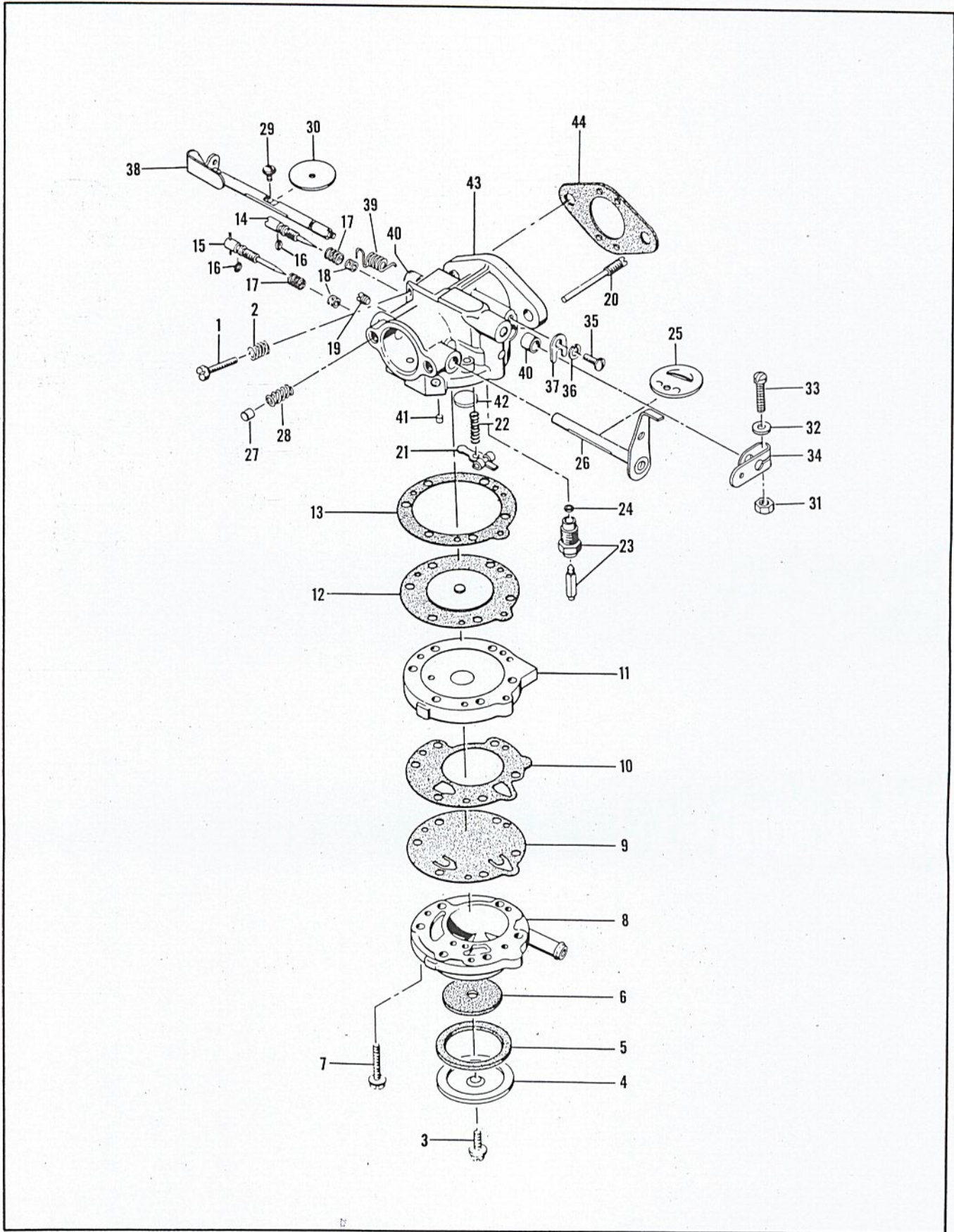


Figure 3. Carburetor, Part Number 48730A

FIGURE 2. CARBURETORS, P/N 50687, 50687A, 48730, 57182 AND 55874 (CONT)

Figure No.	Index No.	McCulloch P/N	Tillotson P/N	Name of Part	No. Req.	Used on These Codes	Also Used on Codes
2	40	100252	0992	Lockwasher	1	ALL	
	41	51716	09678	Clip - Throttle shaft	1	ALL	
	42	50803	011818	Throttle Shaft and Lever	1	ALL	
		50779A		Carburetor Body Assembly	1	C	
				Carburetor Body Assembly (Not available for service - See Bulletin K102)	1	D	
		57282		Carburetor Body Assembly	1	E	
		55880		Carburetor Body Assembly	1	F	
	43	51715	09780	Bushing	2	ALL	
	44	*51582	*010588	Plug	1	ALL	
	45	*51583	*02531	Plug - Welch 3/8 in.	1	ALL	
	46	*51584	*02519	Plug - Welch 1/4 in.	1	C,D,E,F	A,B
	47			Body - Carburetor (Order Carburetor Body Assembly, P/N 50779A)	1	C	
				Body - Carburetor (Not available) ..	1	D	
				Body - Carburetor (Order Carburetor Body Assembly, P/N 57282)	1	E	
				Body - Carburetor (Order Carburetor Body Assembly, P/N 55880)	1	F	
	48	51161C		Gasket - Carburetor	1	C,D,E,F	A,B
		*50806	*GS148	Gasket and Packing Set	1	C,D,E,F	
		50807	RK404	Repair Parts Kit	1	C,D,E,F	

*Indicates this part is also in the Repair Parts Kit.

FIGURE 3. CARBURETOR, P/N 48730A

Figure No.	Index No.	McCulloch P/N	Tillotson P/N	Name of Part	No. Req.	Used on These Codes	Also Used on Codes
3		48730A		Tillotson Carburetor Assembly HL93A		G	
	1	*48767	*05095	Screw - Idle speed regulating	1	G	
	2	*51705	*0788	Spring - Idle speed	1	ALL	
	3	*51701	*010571	Screw - Fuel strainer cover	1	G	A,B
	4	51599	010527	Cover - Fuel strainer	1	G	A,B
	5	48762	010529	Gasket - Fuel strainer cover	1	G	
	6	*48761	*010530	Screen - Fuel strainer	1	G	
	7	51597	010098	Screw - Fil hd 6-32 x 3/4 in. lg	6	ALL	
	8	51596	010525	Body - Fuel pump	1	G	A,B
	9	*51595	*010531	Diaphragm - Fuel pump	1	ALL	
	10	51594	010880	Gasket - Fuel pump	1	ALL	
	11	51592	010526	Cover - Diaphragm	1	ALL	
	12	*51590	*010579	Diaphragm	1	ALL	
	13	51591	010542	Gasket - Diaphragm	1	ALL	
	14	*48763	*011498	Screw - Idle adjustment	1	G	
	15	*48769	*012138	Screw - Main adjustment	1	G	
	16	*48771	*011428	Washer - Adjustment screw	2	G	
	17	*48770	*08793	Spring - Adjustment screw	2	G	
18	48772	011401	Packing - Adjustment screw	2	G		

*Indicates this part is also in the Repair Parts Kit.

This list is continued on page 8

FIGURE 3. CARBURETOR, P/N 48730A (CONT)

Figure No.	Index No.	McCulloch P/N	Tillotson P/N	Name of Part	No. Req.	Used on These Codes	Also Used on Codes	
3	19	51589	02232	Screw	1	ALL		
	20	*51710	*010581	Pin - Fulcrum	1	ALL		
	21	*51709	*010513	Lever - Inlet control	1	ALL		
	22	*51711	*010578	Spring - Inlet tension	1	ALL		
	23	*48768	*010580A	Needle, Seat and Gasket - Inlet	1	G		
	24	51708	010165	Gasket - Inlet seat	1	ALL		
	25	*48757	*011883	Shutter - Choke	1	G		
	26	48756	012135	Shaft and Lever - Choke	1	G		
	27	48758	05454	Pin - Choke friction	1	G		
	28	48759	08805	Spring - Choke friction	1	G		
	29	*48780	*010280	Screw and Lockwasher - Throttle shutter	1	G		
	30	48779	010289	Shutter - Throttle	1	G		
	31	48778	011755	Nut - Throttle lever retaining screw....	1	G		
	32	48777	07844	Washer - Throttle lever retaining screw	1	G		
	33	48776	012145	Screw and Lockwasher - Throttle lever retaining	1	G		
	34	48775	012143	Lever - Throttle	1	G		
	35	51717	01974	Screw - Throttle shaft	1	ALL		
	36	100252	0992	Lockwasher	1	ALL		
	37	51716	09678	Clip - Throttle shaft	1	ALL		
	38	48773	012136	Shaft and Lever - Throttle	1	G		
	39	48774	010775	Spring - Throttle shaft return	1	G		
			48782	012140	Carburetor Body Assembly	1	G	
	40	51715	09780	Bushing	2	ALL		
	41	*51582	*010588	Plug	1	ALL		
	42	*51583	*02531	Plug - Welch 3/8 in.	1	ALL		
	43			Body - Carburetor (Order Carburetor Body Assembly, P/N 48782)	1	G		
	44	48760	010730	Gasket - Flange	1	G		
		*48781	*GS145	Gasket and Packing Set	1	G		
		48784	RK450	Repair Parts Kit	1	G		

*Indicates this part is also in the Repair Parts Kit.

TABLE SHOWING TILLOTSON CARBURETOR USAGE

McCulloch Part No.	Tillotson Part No.	Used on Models	Remarks
48730	HL63BX	MC-5	First 6000 units only. Replaced by 48730A (HL93A).
48730A	HL93A	MC-5	Serial 6001 and up. Use as replacement for 48730 (HL63BX).
50687 50687A	HL63A HL63B	D30, D36, 1-40, 1-50, 1-60, 1-51, 1-61	These two carburetors are alike. Use 50687A (HL63B) as replacement.
51548	HL19B and HL19C	D44, S44, 55, S55	Replaced by 51984 (HL19D).
51984	HL19D	S44A, S55A	Use as replacement for 51548 (HL19B and HL19C).
55874	HL103A	1-71, 1-81	
57812	HL87A	1-41	