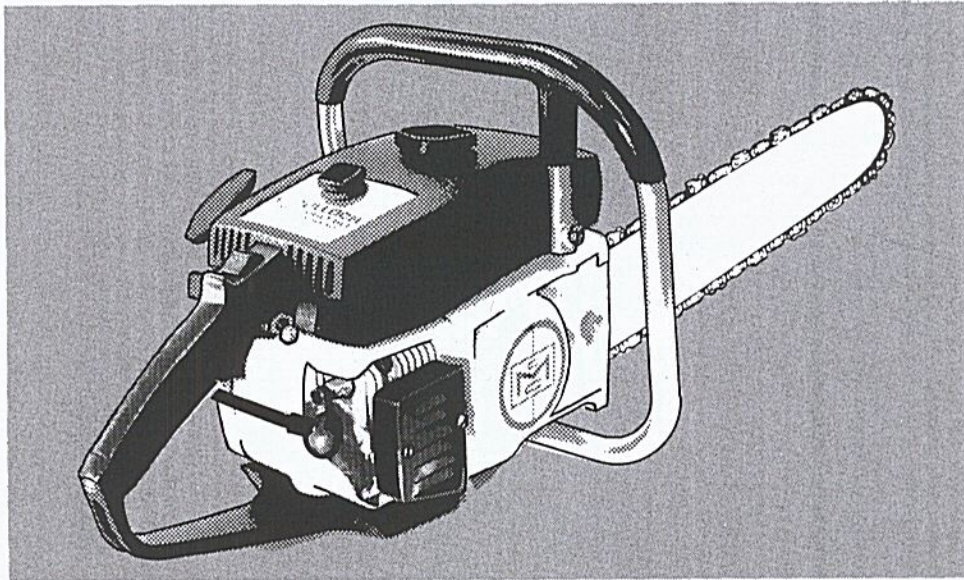


Models	Serial No. Prefix
600438A	11-, 12-
600438B	11-, 12-
600438D	11-, 12-
600438J	11-, 12-

# SP 81 CHAIN SAW

## ILLUSTRATED PARTS LIST



**OCTOBER 1973**

IPL 89883 supersedes and  
cancels IPL 89663

The policy of McCulloch Corporation is one of continual improvement in design, manufacturing and engineering advancements wherever possible to assure still finer two-cycle power tools. Hence, specifications, equipment, colors, design and manufacturer's suggested list prices are subject to change without notice and McCulloch Corporation reserves the right to make such changes without prior notification or obligation to backfit or supply backfit components for units previously shipped from the factory.

	Page
Figure 1. General .....	2
Figure 2. Fan Housing and Starter Assemblies.....	4
Figure 3. Fuel Tank Assembly.....	4
Figure 4. Carburetor Assembly.....	6
Figure 5. Carburetor Assembly.....	6
Figure 6. Flywheel and Ignition System .....	8
Figure 7. Powerhead and Oiler Assemblies .....	10



# McCULLOCH

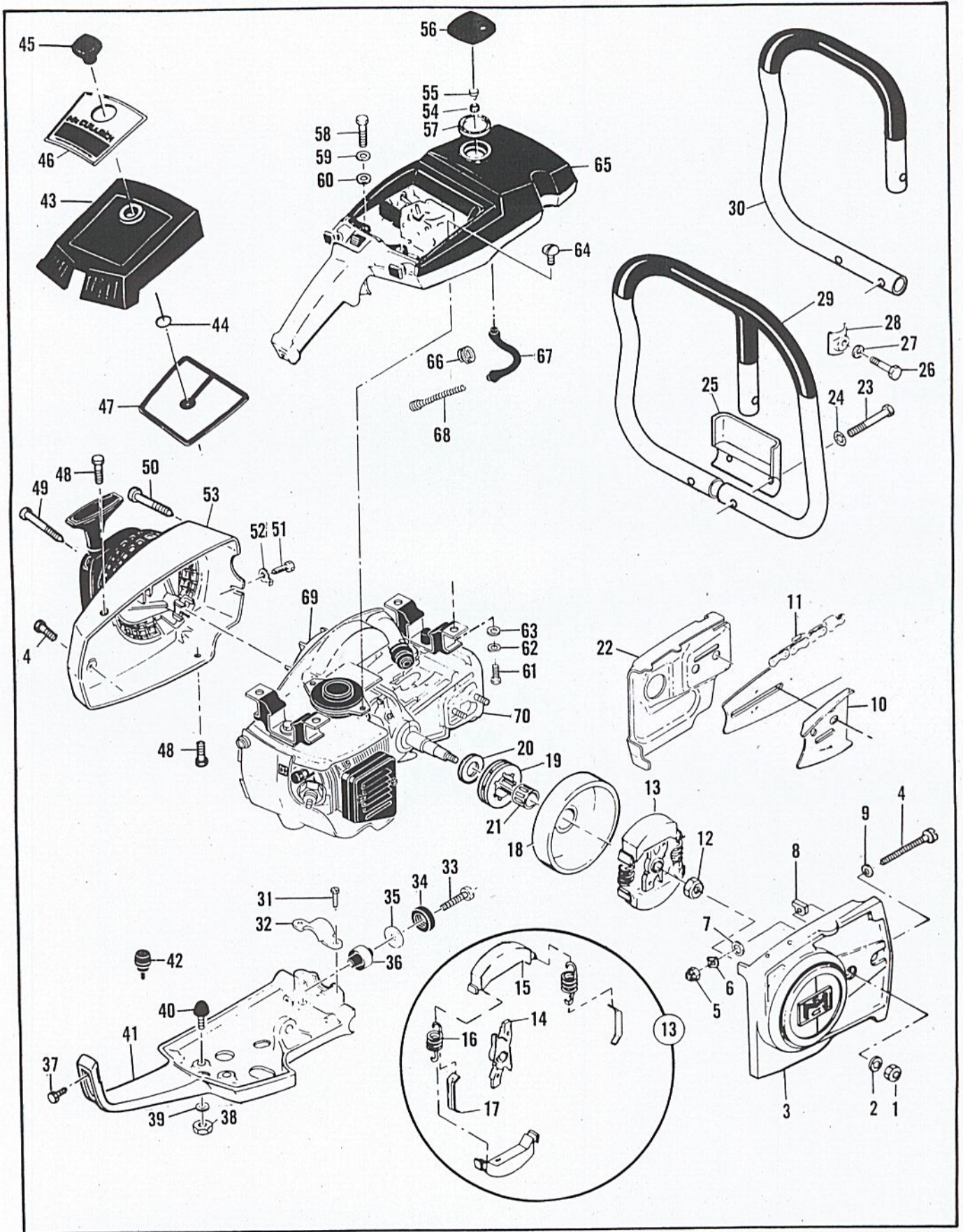


Figure 1. General

Figure 1. General

Item No.	Part Number	Description	Units Per Assy
1	110454	Nut - Hex 5/16-24	2
2	100440	Washer - 5/16	2
3	-88586	Clutch Guard Assy	1
4	102144	. Screw - Bar adjusting	1
5	102067	. Nut - Hex 10-24	1
6	110387	. Washer - Wavey	1
7	100002	. Washer - #10	1
8	61705	. Nut - Bar adjusting	1
9	110264	. Washer - 3/16	1
10	64325	Plate - Bar protector	1
11		Bar & Chain Assy	1
12	86113	Nut - Hex 3/8-24 (L. H.)	1
13	87675	Clutch Assy	1
14	87676	. Rotor - Clutch	1
15	67233	. Shoe - Clutch	2
16	83223	. Spring - Clutch	2
17	64583	. Retainer - Clutch spring	2
18	86947	Drum - Clutch	1
19	86344	Sprocket (7-T . 375)	1
20	86395	Washer - Sprocket	1
21	110330	Bearing - Sprocket	1
22	84978	Shield - Sawdust	1
23	102433	Screw - Hex hd 10-24 x 1-5/8	2
24	101194	Lockwasher - #10	2
25	84798	Clamp - Frame	1
26	102130	Screw - Hex hd 1/4-20 x 1-1/2	1
27	100153	Lockwasher - 1/4	1
28	63484	Clamp - Frame	1
29	84571	Frame & Grip Assy (D)	1
30	87733	Frame & Grip Assy (A, B, J)	1
31	104950	Screw - Hex hd 10-24 x 5/8 (SEMS)	2
32	83819	Clamp - Lower mount	1
33	110679	Screw - Hex hd 1/4-20 x 2	1
34	84661	Grommet	1
35	110845	Washer - 1/4	1
36	85898	Mount - Lower	1
37 ①	101977	Screw - Fil hd 1/4-20 x 3/4	1

Item No.	Part Number	Description	Units Per Assy
	② -105722	Screw - Fil hd 1/4-20 x 1-3/8	1
38 ①	105367	Nut - Hex 10-24	2
39 ①	100240	Lockwasher - #10	2
40 ①	83111	Bumper	2
41	-89673	Brace - Frame	1
42 ②	-89403	. Bumper	2
43	85850	Cover Assy - Air cleaner	1
44	110565	. Ring - Retaining	1
45	68529	. Knob - Cover	1
46	89662	Nameplate	1
47	85387	Filter - Air	1
48	110741	Screw - Pan hd 10-24 x 1/2	3
49	62978	Screw - Special	2
50	85242	Screw - Special	1
51	102762	Screw - Hex hd 10-24 x 1/2	1
52	69890	Lockplate	1
53		Fan Housing & Starter Assys (See Figure 2)	
54 ①	86453	Plug	1
55 ①	53766A	Valve	1
56	-89322	Cap Assy - Fuel	1
57	69767	. Gasket	1
58	102388	Screw - Hex hd 10-24 x 5/8	2
59	101194	Lockwasher - #10	2
60	100002	Washer - #10	2
61	102861	Screw - Hex hd 1/4-20 x 5/8	2
62	100153	Lockwasher - 1/4	2
63	100005	Washer - 1/4	2
64	110807	Screw - Pan hd 8-32 x 5/16	2
65		Fuel Tank Assy (See Figure 3)	
66	87826	Clamp - Hose	1
67	69598	Line - Pulse	1
68 ①	67944	Spring - Pulse line	1
69		Flywheel & Ignition System (See Figure 6)	
70		Powerhead & Oiler Assys (See Figure 7)	

- ① Used on models with serial numbers prefixed 11-.
- ② Used on models with serial numbers prefixed 12-.

Part numbers which have changed since the previous printing of the illustrated parts list covering these saws, are indicated by a dash (-) preceding the new part number.

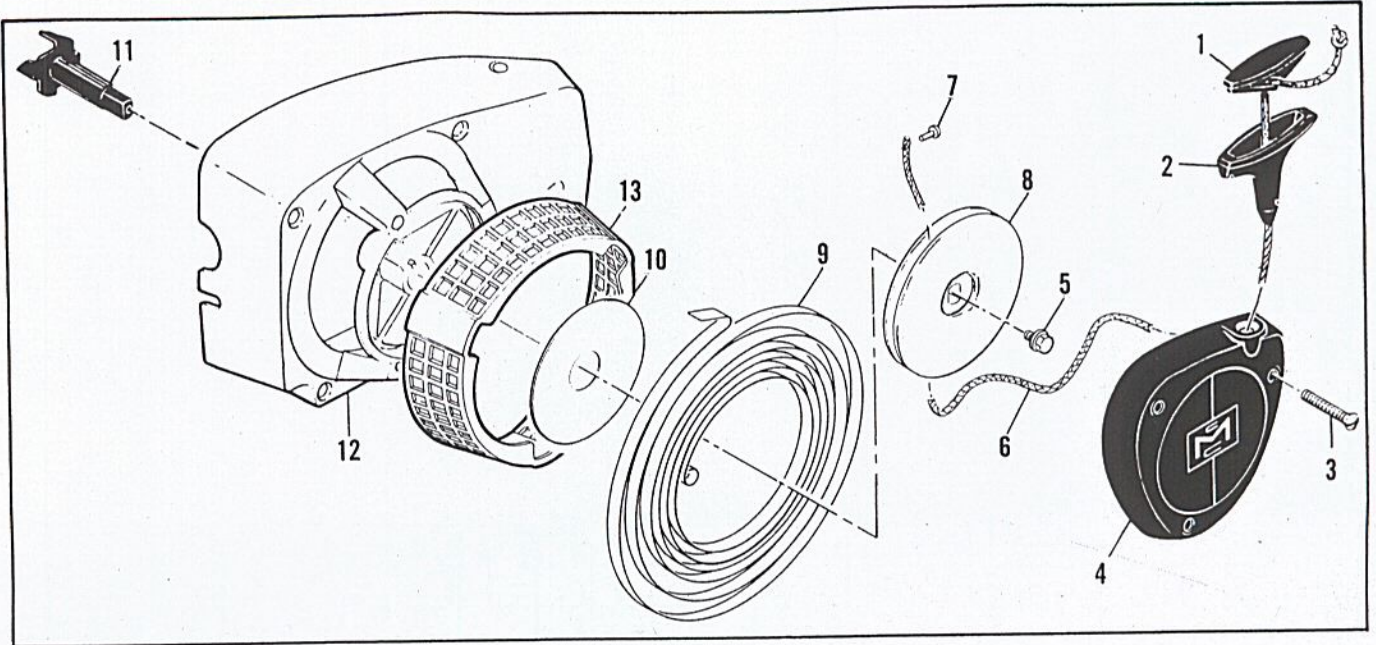


Figure 2. Fan Housing and Starter Assembly

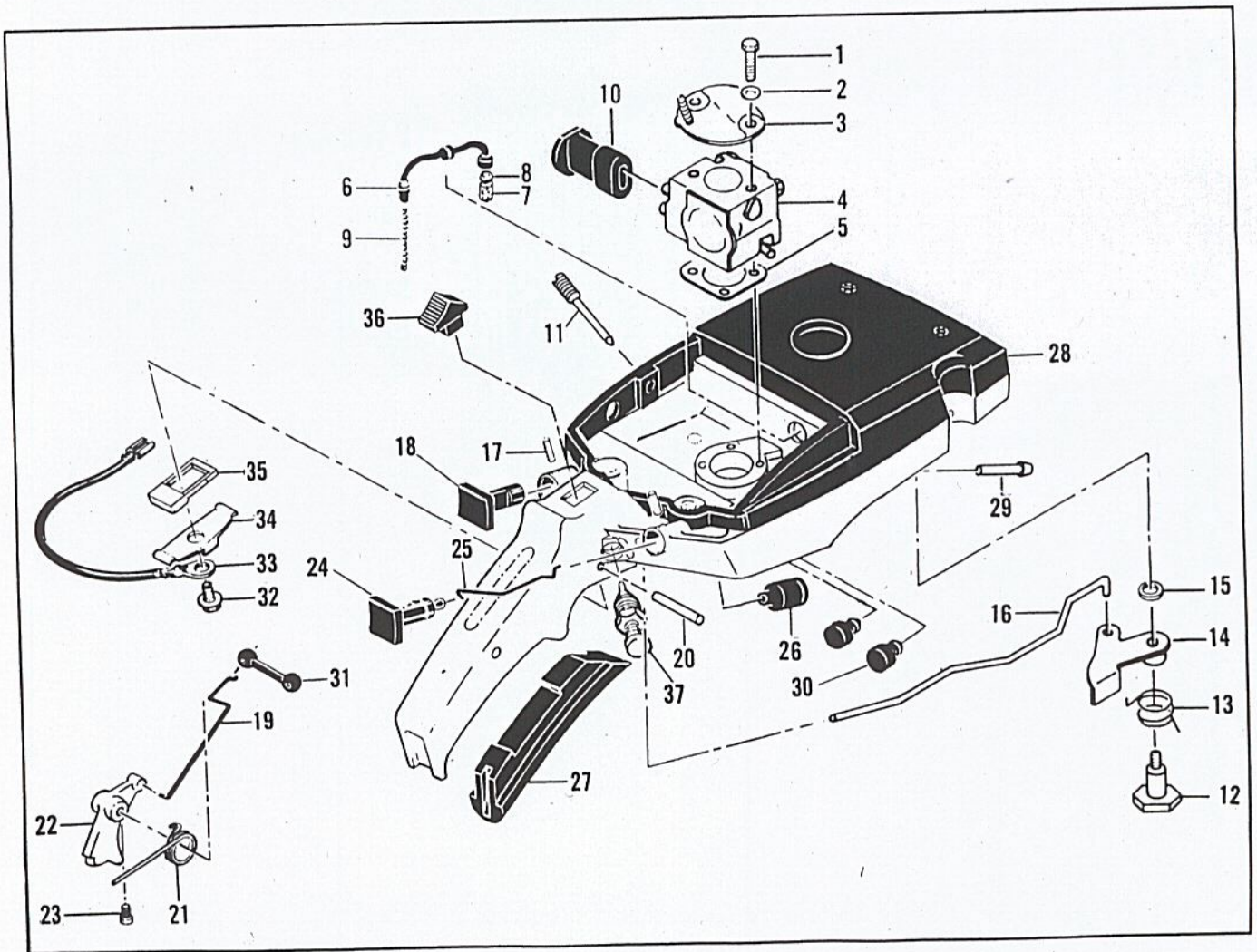


Figure 3. Fuel Tank Assembly

Figure 2. Fan Housing and Starter Assembly

Item No.	Part Number	Description	Units Per Assy
1	62191A	Insert - Starter handle	1
2	62190A	Handle - Starter	1
3	110646	Screw - Oval hd 8-32 x 1-1/8	3
4	87672	Cover Assy - Starter	1
5	110341	Screw - Hex hd 10-24 x 1/2	1
6	68162	Rope - Starter	1

Item No.	Part Number	Description	Units Per Assy
7	110470	Rivet - Rope	1
8	86405	Drum - Starter	1
9	87680	Spring - Rewind	1
10	86053	Shield - Spring	1
11	83748	Shaft - Starter	1
12	87693	Kit - Fan Housing	1
13	87674	. Guard - Sawdust	1

Figure 3. Fuel Tank Assembly

Item No.	Part Number	Description	Units Per Assy
1	110894	Screw - Hex hd 10-24 x 2-1/8	2
2	101194	Lockwasher - #10	2
3	83204	Bracket Assy	1
4		Carburetor Assy (See Figures 4 and 5)	
5	86189	Gasket - Carburetor	1
6	64848	Hose Assy - Fuel	1
7	63932	. Filter - Fuel	1
8	100440	. Washer	1
9	67944	Spring - Hose stiffener	1
10 ①	69629	Boot - Carburetor needle	1
11	86273	Screw - Idle speed adjustment	1
12	69594	Pivot - Oiler lever	1
13	69781	Spring - Oiler lever	1
14	69825	Lever Assy - Oiler	1
15	105048	Washer - 3/16	1
16	69802	Rod - Oiler	1
17	105673	Pin - Roll 3/32 x 9/16	2
18	63044	Button - Oiler	1
19	69632	Rod - Throttle	1

Item No.	Part Number	Description	Units Per Assy
20	110378	Pin - Roll 3/16 x 15/16	1
21	87178	Spring - Throttle return	1
22	88796	Trigger	1
23	110537	Screw - Fil hd 8-36 x 1/2	1
24	69630	Button - Choke	1
25	69631	Rod - Choke	1
26	69597	Boot - Control rod	2
27 ①	87883	Grip - Handle	1
27 ②	-89400	Grip - Handle	1
28 ①	-87888	Tank Assy - Fuel	1
28 ②	89880	Tank Assy - Fuel	1
29	69600	. Nipple - Pulse line	1
30	84272	Bumper - Mount	2
31	69043	Snubber - Rod	1
32	103672	Screw - Fil hd 8-32 x 1/2 (SEMS)	1
33	83661	Wire Assy - Stop switch	1
34	62451	Contact - Switch	1
35	62950A	Base - Switch	1
36	68846	Button - Switch	1
37	85451	Latch Assy - Throttle	1

① Used on models with serial numbers prefixed 11-.  
 ② Used on models with serial numbers prefixed 12-.

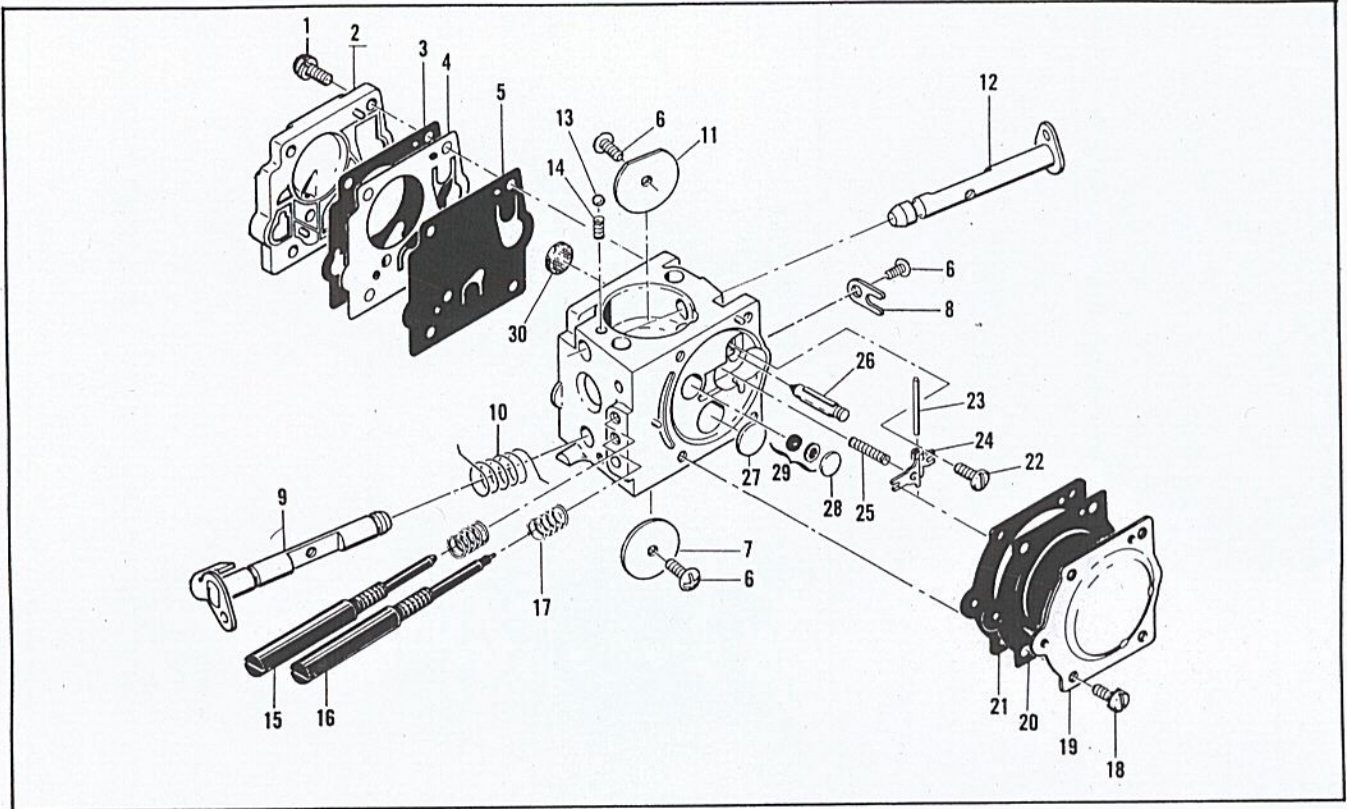


Figure 4. Carburetor Assembly

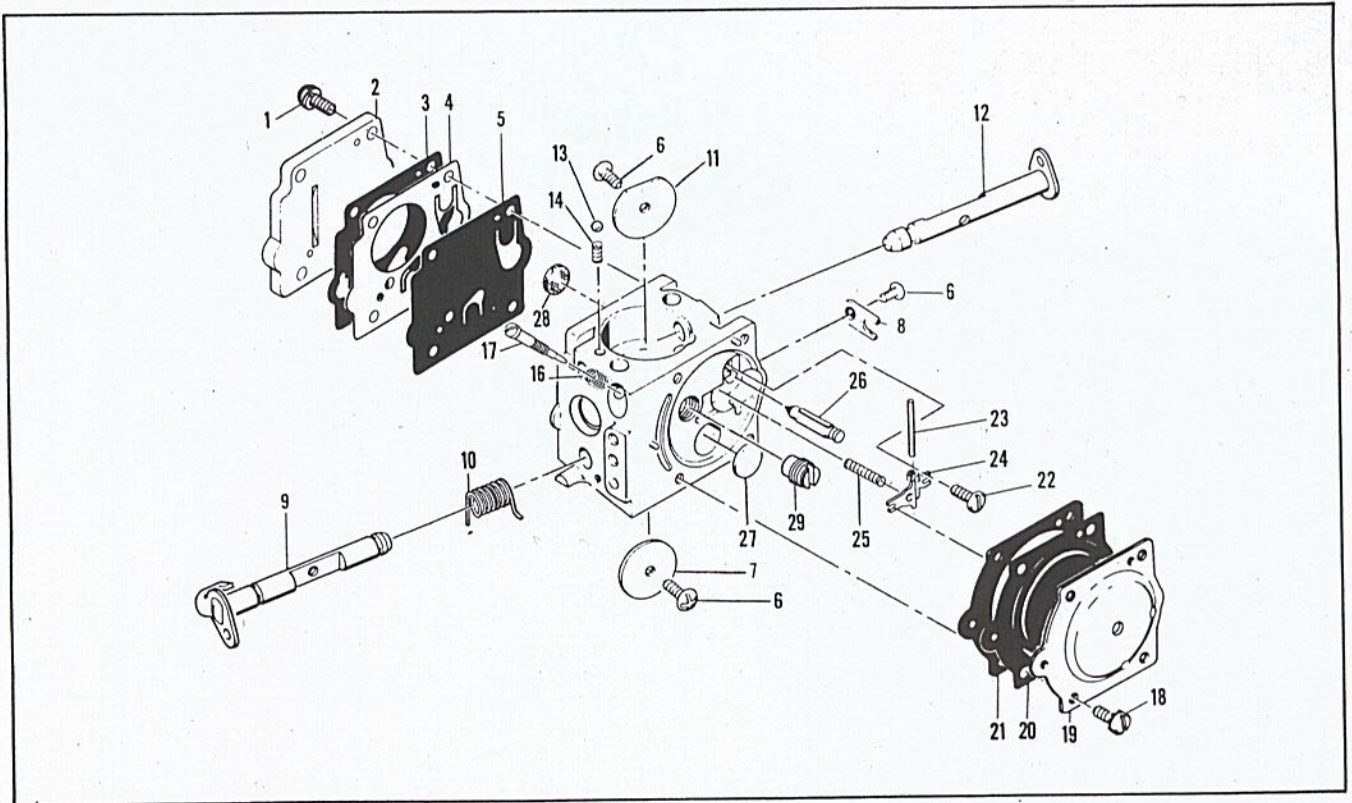


Figure 5. Carburetor Assembly

**Figure 4. Carburetor Assembly**

Item No.	Part Number	Description	Units Per Assy
①	87821	Carburetor Assy *	1
1	67501	. Screw - Pump cover	4
2	88731	. Cover - Pump	1
3	*67495	. Gasket - Cover	1
4	*67498	. Diaphragm - Check valve	1
5	*83114	. Diaphragm - Fuel pump	1
6	*47690	. Screw - Plate	3
7	83762	. Plate - Throttle	1
8	67489	. Clip - Shaft	1
9	85980	. Shaft Assy - Throttle	1
10	85981	. Spring - Throttle return	1
11	67490	. Plate - Choke	1
12	67488	. Shaft Assy - Choke	1
13	*100302	. Ball - Choke friction	1
14	*67504	. Spring - Choke friction	1
15	*85979	. Needle - High speed	1
16	*85982	. Needle - Idle	1

Item No.	Part Number	Description	Units Per Assy
17	*67502	. Spring - Needle	2
18	70798	. Screw - Diaphragm cover	4
19	83761	. Cover - Diaphragm	1
20	*67499	. Diaphragm - Metering	1
21	*67496	. Gasket - Diaphragm	1
22	*67500	. Screw - Lever pin	1
23	*67508	. Pin - Lever	1
24	*67509	. Lever - Inlet	1
25	*67503	. Spring - Lever	1
26	*67491	. Valve - Needle	1
27	*71690	. Plug - 3/8	1
28	*69506	. Plug - 5/16	1
29	83758	. Kit - Valve & Seat Assy	1
30	*67507	. Screen - Fuel	1
	*67482	Gasket Set	
	85987	Repair Kit	

\*Indicates parts included in Repair Kit, P/N 85987

- ① Used on models with serial numbers prefixed 11-.
- ② Used on models with serial numbers prefixed 12-.

**Figure 5. Carburetor Assembly**

Item No.	Part Number	Description	Units Per Assy
②	89882	Carburetor Assy	1
1	67501	. Screw - Pump cover	4
2	88731	. Kit - Pump cover	1
3	**88617	. Gasket - Cover	1
4	*67498	. Diaphragm - Check valve	1
5	*83114	. Diaphragm - Fuel pump	1
6	*47690	. Screw - Plate	3
7	83762	. Plate - Throttle	1
8	67489	. Clip - Shaft	1
9	67486	. Shaft Assy - Throttle	1
10	85981	. Spring - Throttle return	1
11	67490	. Plate - Choke	1
12	67488	. Shaft Assy - Choke	1
13	*100302	. Ball - Choke friction	1
14	*67504	. Spring - Choke friction	1
15	90345	. Needle - Idle mixture	1
16	*67502	. Spring - Idle	1

Item No.	Part Number	Description	Units Per Assy
17	70798	. Screw - Diaphragm cover	4
18	83761	. Cover - Diaphragm	1
19	*67499	. Diaphragm - Metering	1
20	**67496	. Gasket - Diaphragm	1
21	*67500	. Screw - Lever pin	1
22	*67508	. Pin - Lever	1
23	*67509	. Lever - Inlet	1
24	*67503	. Spring - Lever	1
25	*67491	. Valve - Needle	1
26	*71690	. Plug - 3/8	1
27	*67507	. Screen - Fuel	1
28	90348	. Jet - High speed (31)	1
	90349	Jet - High speed (29)	Alt.
	90350	Jet - High speed (29)	Alt.
	90351	Jet - High speed (26)	Alt.
	*88619	Kit - Gasket	
	88620	Kit - Repair	

\*\* Contained in Gasket Kit 88619  
 \* Contained in Repair Kit 88620

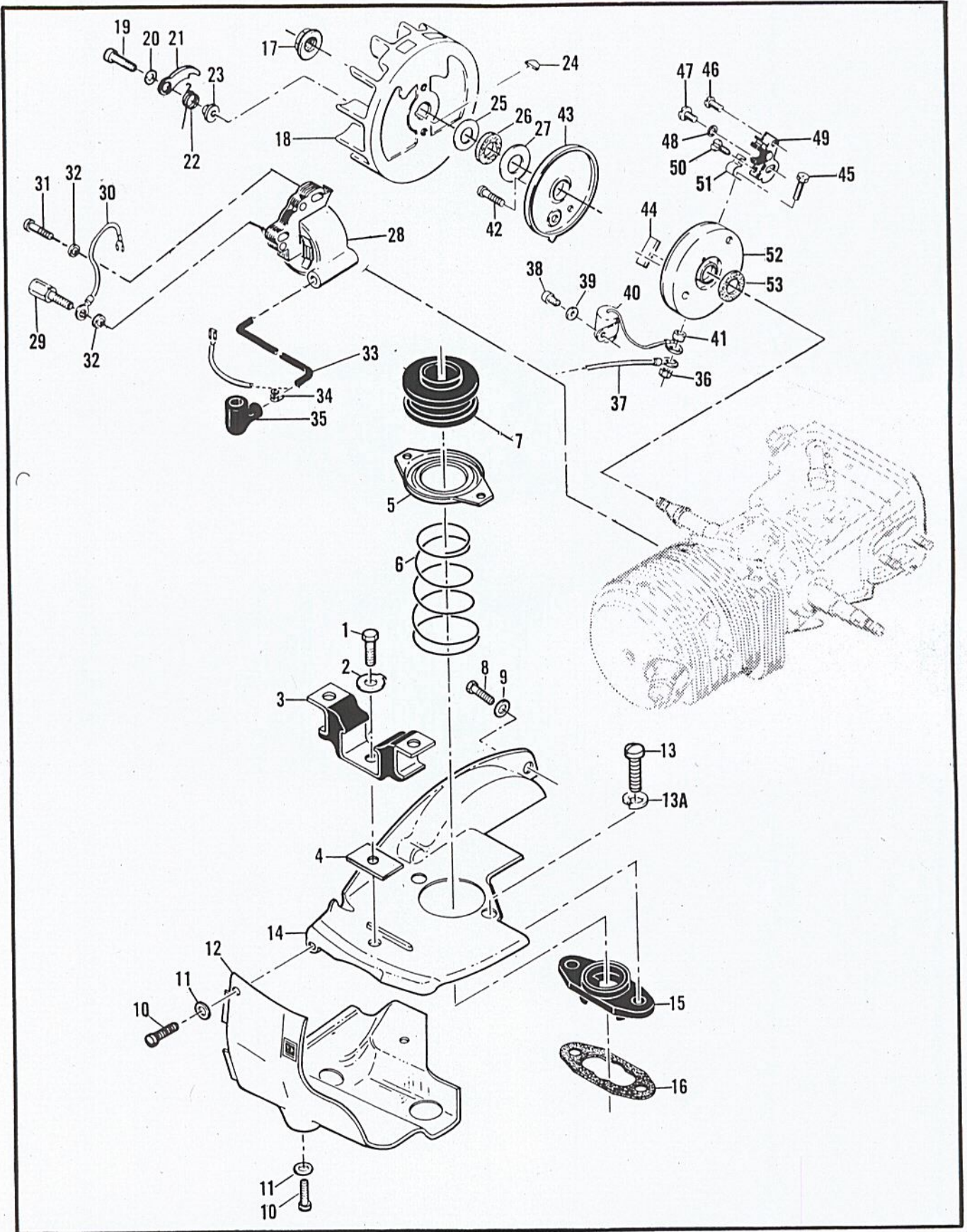


Figure 6. Flywheel and Ignition System



Figure 6. Flywheel and Ignition System

Item No.	Part Number	Description	Units Per Assy
1	83811	Screw - Special	1
2	69924	Lockplate	1
3	87814	Mount - Rear	1
4	84619	Insulator	1
5	86175	Clamp Assy - Boot	1
6	86190	Spring - Ground	1
7	88834	Boot - Third port	1
8	110776	Screw - Fil hd 8-32 x 3/8	1
9	100057	Lockwasher - #8	1
10	102500	Screw - Pan hd 10-24 x 1/2	3
11	100002	Washer - #10	3
12	86314	Shroud - Lower	1
13	104396	Screw - Pan hd 10-24 x 3/4	2
13A	101194	Lockwasher - #10	2
14	88835	Shroud - Upper	1
15	87844	Insulator - Inlet	1
16	88740	Gasket - Insulator	1
17	110703	Nut - Hex 3/8-24	1
18	86068	Flywheel Assy	1
19	110713	Screw - Skt hd 10-24 x 7/8	2
20	83241	Washer - Special	2
21	67546	Pawl - Starter	2
22	67545	Spring - Pawl	2
23	67547	Pivot - Pawl	2
24	103879	Key - Woodruff	1
25	67057	Washer - Thrust	1
26	67056	Seal - Breaker box cover	1
27	67054	Washer - Thrust	1
28	87246	Coil & Lamination Assy	1

Item No.	Part Number	Description	Units Per Assy
29	83512	Stud - Special	1
30	85798	Wire Assy - Ground	1
31	103947	Screw - Hex hd 10-24 x 1 (SEMS)	1
32	100002	Washer - #10	2
33	50120	Wire Assy - Spark plug	1
34	55061	Connector	1
35	85758	Boot	1
36	100298	Nut - Hex 6-32	1
37	85796	Wire Assy - Primary	1
38	103672	Screw - Fil hd 8-32 x 1/2 (SEMS)	1
39	100080	Washer - #8	1
40	85358	Condenser	1
41	62365	Spacer - Breaker box	1
42	110584	Screw - Pan hd 8-32 x 3/4	1
43	62362	Cover - Breaker box	1
44	54184	Wiper - Cam	1
45	110346	Screw - Hex hd 6-32 x 3/4	1
46	110811	Screw - Pan hd 8-32 x 3/8	1
47	110445	Screw - Truss hd 8-32 x 3/8	1
48	105976	Washer - #8	1
49	88808	Breaker Assy	1
50	110706	Screw - Pan hd 6-32 x 7/16 s/t	1
51	83126	Strap - Conduction	1
52	84329	Box - Breaker	1
53	67051	Seal - Breaker box	1

### Accessories

Part Number	Description
84597	Baffle - Spark arrester
86218	Kit - Preheater
86330	Kit - Spike
86419	Guide - Timing
63746	Scrench
63097	Spark Plug - AC CS 45T
65778	Spark Plug - AC CS 41T
62827	Wrench - Screwdriver (D, J)
85968	Guard - Hand
87839	Adapter - Bar mounting
89494	Wrench - Clutch retaining

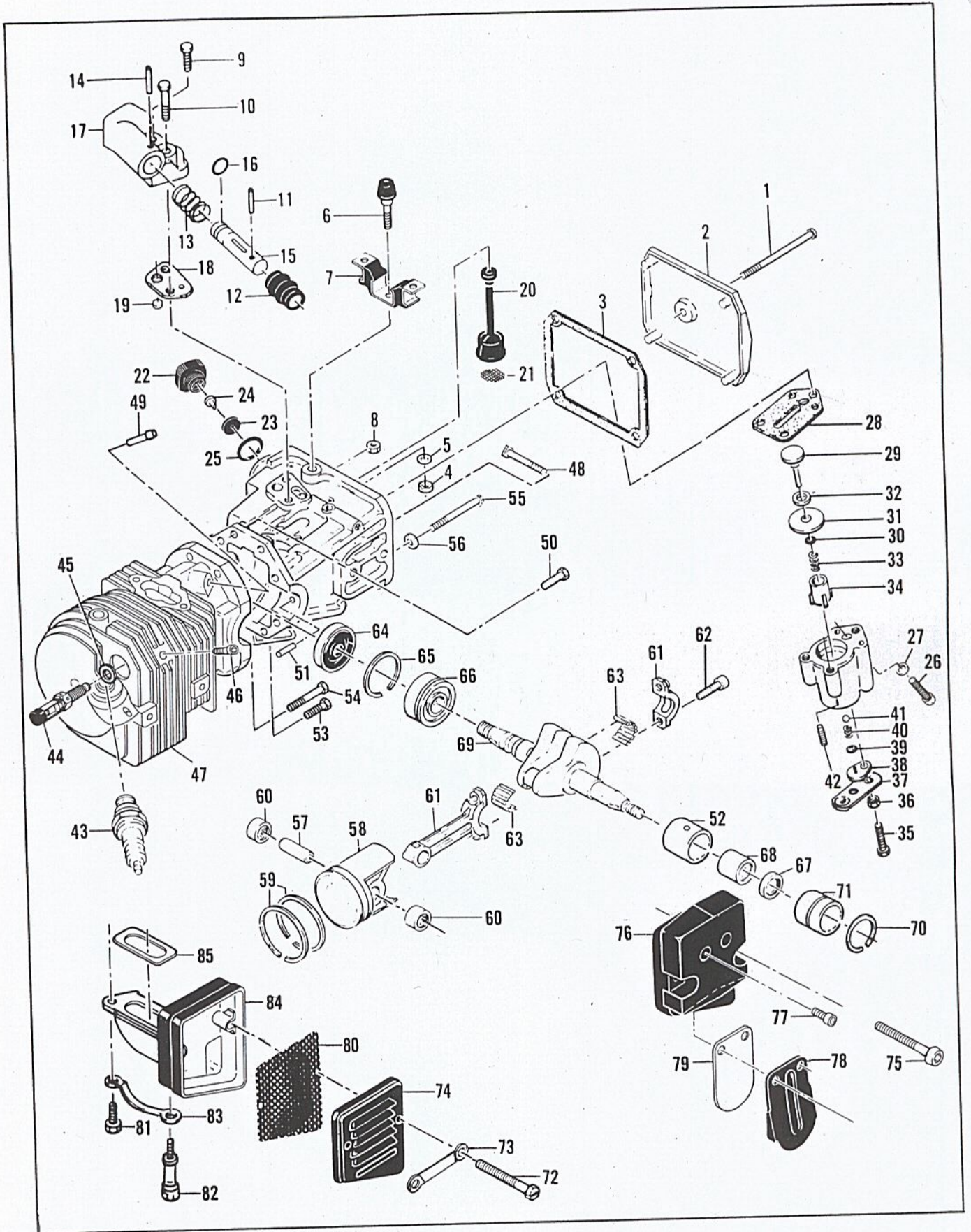


Figure 7. Powerhead and Oiler Assembly

Figure 7. Powerhead and Oiler Assembly

Item No.	Part Number	Description	Units Per Assy
1	110291	Screw - Pan hd 10-24 x 2-5/8	1
2	86304	Cover - Oil tank	1
3	86306	Gasket - Cover	1
4	101143	Nut - Hex 1/4-20	1
5	102523	Washer - 1/4	1
6	69832	Bumper - Front	1
7	87813	Mount - Front	1
8	100955	Nut - Hex 8-32	1
9	103672	Screw - Fil hd 8-32 x 1/2	1
10	105245	Screw - Fil hd 8-32 x 1 (SEMS)	1
11	105673	Pin - Roll 3/32 x 9/16	1
12	69586	Boot - Plunger	1
13	69585	Spring - Plunger	1
14	101556	Pin - Roll 1/8 x 5/8	1
15	69584	Plunger - Pump	1
16	101056	"O" Ring	1
17	69582	Body - Oil pump	1
18	62230	Gasket - Oil pump	1
19	62909	Valve - Oiler	1
20	62123B	Hose Assy - Oil	1
21	51506	. Screen - Hose	1
22	87270	Cap - Oil tank	1
23	87269	. Retainer - Valve	1
24	86402	. Valve	1
25	101148	"O" Ring	1
26	110713	Screw - Skt hd 10-24 x 7/8	1
27	24236	Washer - Special	1
28	-89642	Gasket - Pump	1
	-89115	Pump Assy - Pulse	1
29	60260A	. Piston Assy - Pump	1
30	104001	. "O" Ring	1
31	86182	. Ring - Piston	1
32	60937	. Washer - Teflon	1
33	60259	. Spring - Piston	1
34	62227	. Sleeve - Adjustment	1
35	110386	. Screw - Hex hd 8-32 x 1	1
36	100251	. Nut - Hex 8-32	1
37	-89114	. Clamp - Pump	1
38	62407	. Cover - Outlet valve	1
39	106104	. "O" Ring	1
40	62885A	. Spring - Outlet valve	1
41	102809	. Ball - Outlet valve	1
42	① -88645	. Screw - Set 8-32	1
43	63432	Spark Plug - AC CS 42T	1
44	87866	Valve - DSP	1

Item No.	Part Number	Description	Units Per Assy
45	85505	Washer - Valve	1
46	110681	Screw - Skt hd 10-24 x 1/4	1
47	87296	Crankcase Assy	1
48	62065	. Bolt - Bar mounting	2
49	69600	. Nipple - Pulse line	1
50	110288	. Screw - Hex hd 8-32 x 3/4	1
51	110851	. Pin - Dowel	1
52	87152	. Insert - Bearing	1
53	110288	Screw - Hex hd 8-32 x 3/4	1
54	110644	Screw - Hex hd 8-32 x 1-1/2	1
55	62105	Screw Assy - Sealing	4
56	62842	. Washer - Sealing	4
57	69020	Pin - Piston	1
58	87791	Piston Assy	1
59	87854	. Ring Set - Piston	1
60	110590	. Bearing - Needle	2
61	85237	Connecting Rod Assy	1
62	61627A	. Screw - Special	2
63	85246	. Roller - (Set of 22)	1
64	61618	Seal - Oil	1
65	63464	Ring - Snap	1
66	63429B	Bearing - Ball	1
67	110260	Seal - Oil	1
68	104357	Bearing - Needle	1
69	86193	Crankshaft	1
70	① 63699	Ring - Bearing insert	1
71	① 63701	Insert - Bearing	1
72	103353	Screw - Hex hd 10-24 x 1-1/2 (B, D)	2
73	86050	Lockplate (B, D)	1
74	84603	Cover - Muffler (A, B, D)	1
75	110861	Screw - Skt hd 10-24 x 1-1/2 (A, J)	2
76	84581	Kit - Cover & Valve Assy (A, J)	1
77	110472	. Screw - Skt hd 8-32 x 5/16 (A, J)	2
78	87193	. Stop - Reed (A, J)	1
79	85585	. Valve - Reed (A, J)	1
80	84580	Baffle - Muffler	1
81	110529	Screw - Hex hd 10-24 x 1/2	1
82	84578	Screw - Special	1
83	84579	Lockplate	1
84	84572	Body & Duct Assy	1
85	84577	Gasket - Muffler	1

① Used on models with serial numbers prefixed 11-.

**SERVICE SPECIFICATIONS**

Spark Plug - AC CS 42T (Standard)  
                  AC CS 41T (colder)  
Spark Plug Gap - .025 inch (.63 mm)  
Lamination Gap - .007 to .012 inch (.18 to .30 mm)  
Breaker Point Gap - .018 inch (.46 mm)  
Timing - 26° BTDC  
Carburetor Adjustment  
  Idle mixture needle - 1 turn open (preliminary)  
  Main mixture - Fixed high speed jet  
    0 to 4000 feet - Jet No. 31  
    3000 to 5500 feet - Jet No. 29  
    4500 to 8000 feet - Jet No. 28  
    7000 feet and above - Jet No. 26  
Clutch Engagement Speed - 2600 to 3000 R.P.M.  
Torques  
  Connecting Rod Screws - 65 to 70 inch/pounds (74.88 to 80.64 cm/kg)  
  Clutch Nut - 160 to 170 inch/pounds (184.32 to 195.84 cm/kg)  
  Flywheel Nut - 265 to 325 inch/pounds (305.28 to 374.40 cm/kg)

## SP 81 NUMERICAL ORDER PARTS LIST

Part Number	Description	Units Per Assy
24236	Washer - Special	1
47690	Screw - Rd 6-32	3
50120	Wire Assy - Spark	1
51506	Screen - Oil	1
53766A	Valve - Check	1
54184	Wiper - Oil	1
55061	Connector - Spark plug	1
60259	Spring - Piston	1
60260A	Piston Assy - Oiler	1
60937	Washer - Pulse	1
61618	Seal - Oil	1
61627A	Screw - Connector rod	2
61705	Nut - Blade adjusting	1
62065	Bolt - Bar mounting	2
62105	Screw Assy - Seal	4
62123B	Hose Assy - Oil	1
62190A	Handle - Starter	1
62191A	Insert - Starter	1
62227	Sleeve - Oiler	1
62230	Gasket - Oil	1
62362	Cover - Breaker	1
62365	Spacer - Breaker	1
62407	Cover - Outlet	1
62451	Contact - Ignition	1
62827	Wrench - Screwdriver	1
62842	Washer - Sealing	4
62885A	Spring - Outlet	1
62909	Valve - Oiler	1
62950A	Base - Stop switch	1
62978	Screw - Oval 8-32	2
63044	Button - Oiler	1
63097	Sparkplug	1
63429B	Bearing - Ball	1
63432	Sparkplug - AC	1
63464	Ring - Snap	1
63484	Clamp - Frame	1
63699	Ring - Bearing insert	1
63701	Insert - Needle	1
63746	Kit - Combination wrench	1
63932	Filter - Felt	1
64325	Plate - Bar	1
64583	Retainer - Clutch	2
64848	Hose Assy	1
65778	Sparkplug - AC	1
67051	Seal - Breaker	1
67054	Washer - Thrust	1
67056	Seal - Breaker	1
67057	Washer - Thrust	1
67233	Shoe - Clutch	2
67486	Shaft Assy	1
67488	Shaft Assy	1
67489	Clip - Throttle	1
67490	Valve - Choke	1
67491	Valve - Inlet	1
67495	Gasket - Fuel	1
67496	Gasket - Metering	1
67498	Diaphragm - Check	1
67499	Diaphragm Assy	1
67500	Screw - Metering	1
67501	Screw Assy - Fuel & Pump	4
67502	Spring - Adjusting	2
67503	Spring - Lever	1
67504	Spring - Choke	1

Part Number	Description	Units Per Assy
67507	Screen - Inlet	1
67508	Pin - Metering	1
67509	Lever - Metering	1
67545	Spring - Pawl	2
67546	Pawl - Starter	2
67547	Pivot - Pawl	2
67944	Spring - Hose	1
68162	Rope - Starter	1
68529	Knob Assy - A/c	1
68846	Button - Stop	1
69020	Pin - Piston	1
69043	Snubber	1
69506	Plug - Welch	1
69582	Body - Oil pump	1
69584	Plunger - Oil pump	1
69585	Spring - Plunger	1
69586	Boot - Plunger	1
69594	Pivot - Oiler	1
69597	Boot - Control	2
69598	Line - Pulse	1
69600	Nipple - Pulse	1
69629	Boot - Carburetor mix	1
69630	Button - Choke	1
69631	Rod - Choke	1
69632	Rod - Throttle	1
69767	Gasket - Fuel	1
69781	Spring - Oiler	1
69802	Rod - Oiler	1
69825	Lever Assy - Oiler	1
69832	Bumper - Front	1
69890	Plate - Lock	1
69924	Plate - Lock	1
70798	Screw Assy	4
71690	Plug - Welch	1
83111	Bumper - Lower	2
83114	Diaphragm - Pump	1
83126	Strap - Conductor	1
83204	Kit - Air cleaner	1
83223	Spring - Clutch	2
83241	Washer - Starter	2
83512	Stud - Special	1
83661	Wire Assy - Stop	1
83748	Shaft Assy	1
83758	Kit - Repair	1
83761	Cover - Metering	1
83762	Valve - Throttle	1
83786	Pump Assy - Pulse	1
83811	Screw - Special	1
83819	Clamp - Lower	1
84272	Bumper	2
84329	Box - Breaker	1
84571	Frame & Grip	1
84572	Body & Duct	1
84577	Gasket - Muffler	1
84578	Screw - Special	1
84579	Plate - Lock	1
84580	Baffle - Spark	1
84581	Kit - Cover/Val	1
84597	Baffle Assy	1
84603	Cover - Louver	1
84619	Insulator	1
84661	Grommet	1
84798	Clamp - Frame	1

SP 81 NUMERICAL ORDER PARTS LIST

Part Number	Description	Units Per Assy
84978	Shield - Sawdust	1
85237	Rod Assy - Connecting	1
85242	Screw - Fan housing	1
85246	Bearing - Needle	1
85358	Condenser	1
85387	Filter - Air	1
85451	Lock Assy - Throttle	1
85505	Washer - Valve	1
85585	Valve - Spark	1
85758	Boot - Sparkplug	1
85796	Wire Assy - Primary	1
85798	Wire Assy - Ground	1
85850	Cover Assy - Air	1
85898	Mount - Lower	1
85968	Guard - Hand	1
85979	Needle - Hi speed	1
85980	Shaft Assy - Throttle	1
85981	Spring - Throttle	1
85982	Needle - Idle	1
86050	Plate - Lock	1
86053	Shield - Starter	1
86068	Flywheel	1
86113	Nut - 3/8-24	1
86175	Clamp Assy - Upper	1
86182	Ring - Piston	1
86189	Gasket - Carburetor	1
86190	Spring - Ground	1
86193	Kit - Crankshaft	1
86218	Kit - Preheater	1
86273	Screw - Idle adj.	1
86304	Cover - Oil tank	1
86306	Gasket - Cover	1
86314	Shroud - Lower	1
86330	Kit - Spike	1
86344	Kit - Sprocket	1
86395	Washer - Flat	1
86402	Valve - Check	1
86405	Drum - Starter	1
86419	Guide - Timing	1
86453	Plug - Fuel cap	1
86947	Drum & Hub Assy	1
87152	Insert - Bearing	1
87178	Spring - Trigger	1
87193	Stop - Reed	1
87246	Coil & Lamination Assy	1
87269	Retainer - Valve	1
87270	Cap Assy - Oil	1
87296	Kit - Cylinder & crankcase	1
87672	Cover - Starter	1
87674	Guard - Sawdust	1
87675	Clutch Assy	1
87676	Rotor - Clutch	1
87680	Spring - Str/rewinding	1
87693	Kit - Fan housing	1
87733	Frame & Grip Assy	1
87791	Piston Assy	1
87813	Mount - Front	1
87814	Mount - Rear	1
87821	Carburetor Assy	1
87826	Clamp - Pulse	1
87839	Adapter - Bar	1
87844	Insulator - Inlet	1
87854	Set - Piston rings	1

Part Number	Description	Units Per Assy
87866	Valve - Compression rel.	1
87883	Grip - Handle	1
87888	Tank & Cover Assy	1
88586	Guard Assy - Clutch	1
88617	Gasket - Fuel pump	1
88619	Set - Gaskets	1
88620	Kit - Repair	1
88645	Screw - Oiler	1
88731	Kit - Fuel pump cover	1
88740	Gasket - Inlet	1
88796	Trigger - Throttle	1
88808	Breaker Assy	1
88834	Boot - 3rd port	1
88835	Shroud - Upper	1
89114	Clamp - Pulse	1
89322	Cap Assy - Fuel	1
89400	Insert - Handle	1
89403	Bumper - Lower	2
89494	Wrench - Cl/ret	1
89642	Gasket - Pulse	1
89662	Plate - Name	1
89673	Brace - Frame	1
89880	Tank & Cover Assy	1
89882	Carburetor Assy	1
90345	Needle - Idle	1
90348	Orifice - Main	1
90349	Orifice - Main	1
90350	Orifice - Main	1
90351	Orifice - Main	1
100002	Washer - #10	8
100005	Washer - Plain	2
100057	Washer - Lock	1
100080	Washer - Plain	1
100153	Washer - Lock	3
100240	Washer - Lock	2
100251	Nut - Hex 8-32	1
100298	Nut - Hex 6-32	1
100302	Ball - .125 dia.	1
100440	Washer - Plain	3
100955	Nut - Hex lock	1
101056	O-Ring	1
101143	Nut - Hex lock	1
101148	O-Ring	1
101194	Washer - Lock	6
101556	Pin - Roll .125	1
101977	Screw - Fil 1/4	1
102067	Nut - Hex lock	1
102130	Screw - Hex 1/4	1
102144	Screw - Fil #10	1
102388	Screw - Hex 10-24	2
102433	Screw - Hex 10-24	2
102500	Screw - Pan #10	3
102523	Washer - 1/4	1
102762	Screw - Hex 10-24	1
102809	Ball - .093 dia.	1
102861	Screw - Hex 1/4-20	2
103353	Screw - Hex 10-24	2
103672	Screw - Fil 8-32	3
103879	Key - Woodruff	1
103947	Screw - Hex 10-24	1
104001	Ring - Seal	1
104357	Bearing - Needle	1
104396	Screw - Pan 10-24	2

SP 81 NUMERICAL ORDER PARTS LIST

Part Number	Description	Units Per Assy
104950	Screw - Hex 10-24	2
105048	Washer - Flat	1
105245	Screw - Fil 8-32	1
105367	Nut - Hex 10-24	2
105673	Pin - Roll	3
105722	Screw - Fil 1/4-20	1
105976	Washer - #8	1
106104	O-Ring	1
110260	Seal - Oil	1
110264	Washer - Plain	1
110288	Screw - Hex washer	1
110291	Screw - Pan 10-24	1
110330	Bearing - Sprocket	1
110341	Screw - Hex 10-24	1
110346	Screw - Hex 6-32	1
110378	Pin - Roll	1
110386	Screw - Hex 8-32	1
110387	Washer - Wavey	1
110445	Screw - Truss head	1
110454	Nut - Hex 5/16-24	2
110470	Rivet - Rd	1

Part Number	Description	Units Per Assy
110472	Screw - Skt 8-32	2
110529	Screw - Hex 10-24	1
110537	Screw - Fil 8-32	1
110565	Ring - Retaining	1
110584	Screw - Pan 8-32	1
110590	Bearing	2
110644	Screw - Hex washer	1
110646	Screw - Oval 8-32	3
110679	Screw - Hex 1/4-20	1
110681	Screw - Socket 10-24	1
110703	Nut - Hex 3/8-24	1
110706	Screw - Pan	1
110713	Screw - Socket 10-24	3
110741	Screw - Pan 10-24	3
110776	Screw - Fil 8-32	1
110807	Screw - Pan 8-32	2
110811	Screw - Pan 8-32	1
110845	Washer - Plain	1
110851	Pin - Dowel	1
110861	Screw - Socket 10-24	2
110894	Screw - Hex 10-24	2