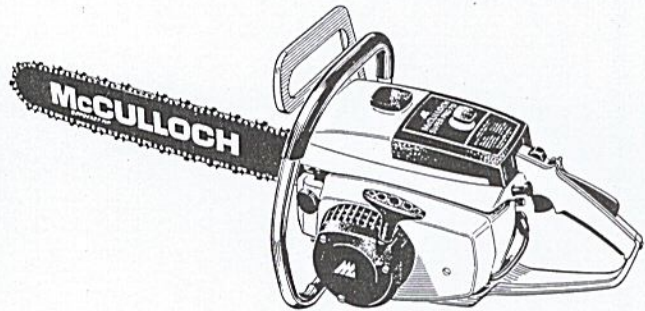


# ILLUSTRATED PARTS LIST

MODELS	SERIAL NUMBER PREFIX	MODELS	SERIAL NUMBER PREFIX
600443A	11-, 12-	600443E	11-, 12-
600443B	11-, 12-	600443J	11-, 12-
600443D	11-, 12-		

## SUPER PRO 70 Chain Saw



Super Pro 70 chain saws are identified by a model number (600443) followed by a suffix letter (A, B, D, E or J) stamped on the identification plate attached to the saw. Suffix letters denote variations in parts or assemblies in the manufacture of the saw.

Part numbers listed in this IPL which have a suffix letter or letters following the description, indicate the part is used only on the model(s) identified by the letter or letters.

Part numbers and descriptions without suffix letter or letters apply to all models of the Super Pro 70 chain saw.

Part numbers which have one or more dots (.) preceding their description may be ordered individually but they are also included in the kit or assembly whose description begins directly above the dot(s).

Part numbers which have changed since the previous printing of the IPL covering these saws, are indicated by a dash (-) preceding the new part number.

The policy of McCulloch Corporation is one of continual improvement in design, manufacturing and engineering advancement wherever possible to assure still finer two-cycle power tools. Hence, specifications, equipment, colors, design and manufacturer's suggested list prices are subject to change without notice and McCulloch Corporation reserves the right to make such changes without prior notification or obligation to backfit or supply backfit components for units previously shipped from the factory.

JULY 1976

- CONTENTS -

	<u>Page</u>
Figure 1. General . . . . .	2
Figure 2. CHAIN BRAKE Assembly . . .	4
Figure 3. Fan Housing & Starter Asys .	4
Figure 4. Fuel Tank Assembly . . . . .	6
Figure 5. Flywheel & Ignition System .	6
Figure 6. Carburetor Assembly . . . . .	8
Figure 7. Carburetor Assembly . . . . .	8
Figure 8. Powerhead & Oiler Asys . . .	10
Accessories . . . . .	3
Service Specifications . . . . .	5



92337

# SUPER PRO 70

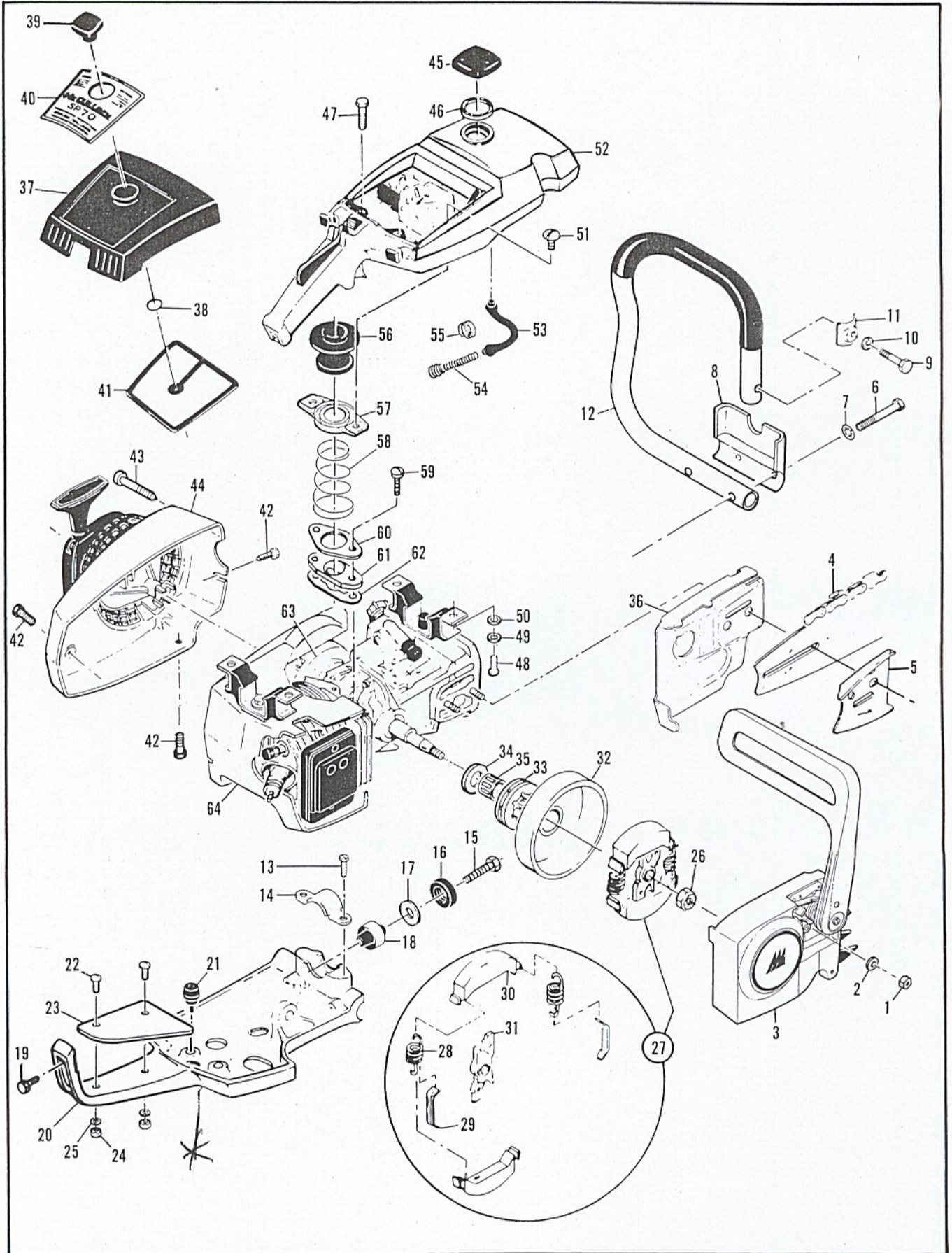


Figure 1. General

## Figure 1. General

Item No.	Part Number	Description	Units Per Asy
1	-110961	Nut-Hx 5/16-24	2
2	100440	Washer-5/16	2
3		CHAIN BRAKE Asy (Fig.2)	
4		Bar & Chain Asy	
5	64325	Plate-Bar protector	1
6	102433	Screw-Hx hd 10-24 x 1-5/8	2
7	101194	Washer-Lock #10	2
8	84798	Clamp-Frame	1
9	102130	Screw-Hx hd 1/4-20 x 1-1/2	1
10	100153	Washer-Lock 1/4	1
11	63484	Clamp-Frame	1
12	-91586	Frame & Grip Asy	1
13	104950	Screw-Hx hd 10-24 x 5/8 (SEMS)	2
14	83819	Clamp-Lower mount	1
15	110679	Screw-Hx hd 1/4-20 x 2	1
16	84661	Grommet	1
17	110845	Washer-1/4	1
18	85898	Mount-Lower	1
19*	105722	Screw-Fil hd 1/4-20 x 1-3/8	1
20	-90986	Brace-Frame	1
21	89403	. Bumper	2
22	102500	Screw-Pan hd 10-24 x 1/2 (A)	2
23	89672	Protector-Hand (A)	1
24	101191	Nut-Hx 10-24 (A)	2
25	101834	Washer-#10 (A)	2
26	86113	Nut-Hx 3/8-24 L.H.	1
27	87675	Clutch Asy	1
28	83223	. Spring-Clutch	2
29	64583	. Retainer	2
30	67233	. Shoe-Clutch	2
31	89438	. Rotor-Clutch	1
32	86942	Drum/Spkt Asy-7T .375P (A)	1
33	86344	. Sprocket-7T .375P (A)	1
34	86958	. Washer-Shim (A)	1
(32)	86946	Drum/Spkt Asy-7T .375P (B,D,E,J)	1
(33)	86951	. Sprocket-7T .375P (B,D,E,J)	1

Item No.	Part Number	Description	Units Per Asy
(34)	86958	. Washer-Shim (B,D,E,J)	1
35	110330	Bearing-Sprocket	1
36	84978	Guard-Sawdust	1
37	-85850A	Cover Asy-Air cleaner	1
38	110565	. Ring-Retaining	1
39	68529	. Knob-Cover	1
40	92181	Plate-Name	1
41	85387	Filter Asy - Air	1
42	110741	Screw-Pan hd 10-24 x 1/2	3
43	87871	Screw-Special	2
44		Fan Housing & Starter Asy (Fig. 3)	
45	89322	Cap-Fuel	1
46	69767	. Gasket-Fuel cap	1
47	-110746	Screw-Hx hd 10-24 x 1/2	2
48	102861	Screw-Hx hd 1/4-20 x 5/8	2
49	100153	Washer-Lock 1/4	2
50	100005	Washer-1/4	2
51	110807	Screw-Pan hd 8-32 x 5/16	2
52		Fuel Tank Asy (Fig. 4)	
53	69598	Line-Pulse	1
54	67944	Spring-Pulse line	1
55	87826	Clamp-Pulse line	1
56	-88834A	Boot-Port	1
57	-86175 ①	Clamp Asy-Boot	1
(57)	83122 ②	Clamp Asy-Boot	1
58	-86190 ①	Spring-Ground	1
(58)	83820 ②	Spring-Ground	1
59	104396	Screw-Pan hd 10-24 x 3/4	2
60	-69759A	Clamp-Boot	1
61	87844	Insulator-Inlet	1
62	88740	Gasket-Insulator	1
63		Flywheel & Ignition System (Fig. 5)	
64		Powerhead & Oiler Asys (Fig. 8)	

\*Also shown as Item 20 in Figure 4.

① Used on models with serial number prefix 12-.

② Used on models with serial number prefix 11-.

## Accessories

Part Number	Description
84922	Kit-Spark arrester baffle
86355	Kit-Preheater

Part Number	Description
85488	Guard-Crankshaft seal
63746	Wrench
91632	Wrap Around Handle Frame

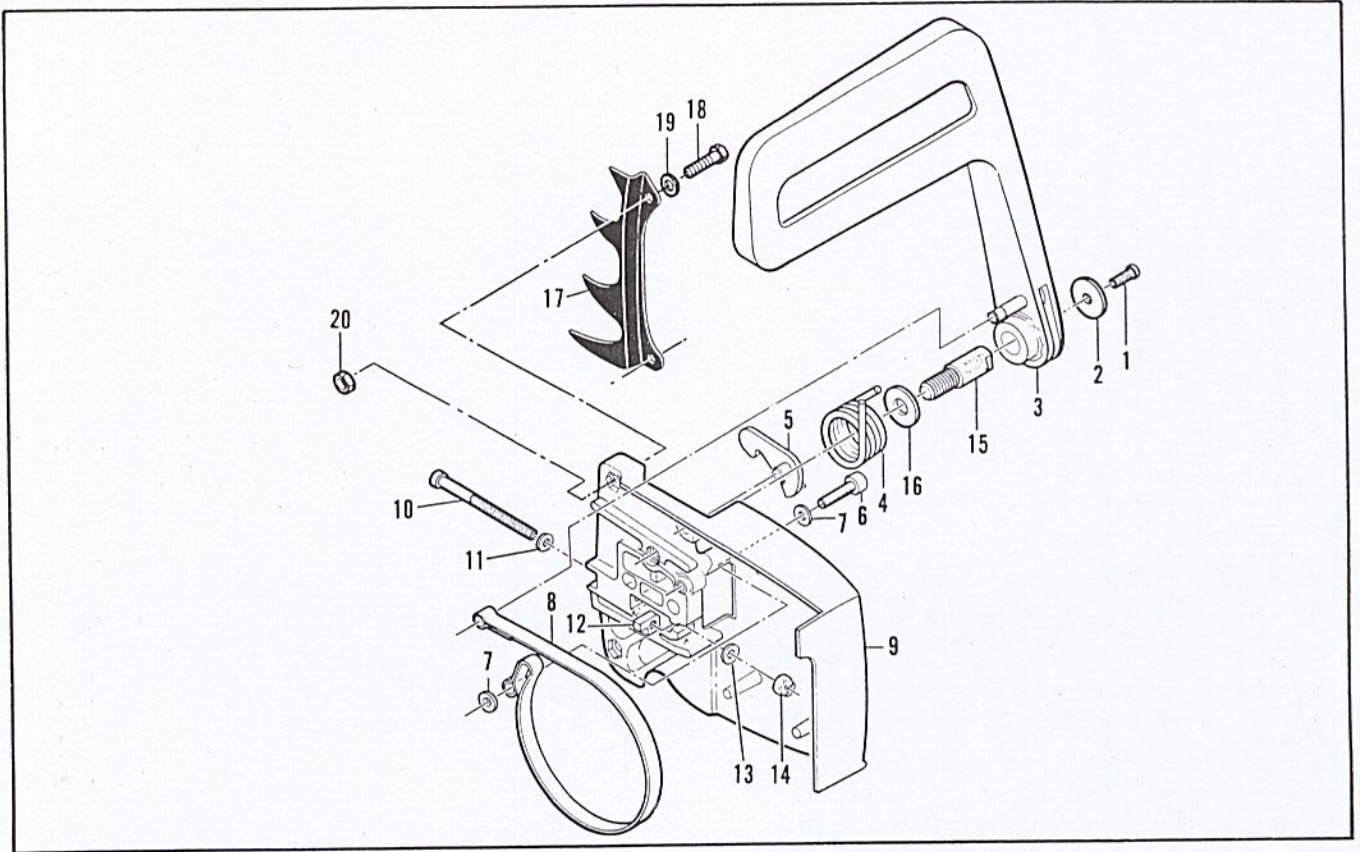


Figure 2. CHAIN BRAKE Assembly

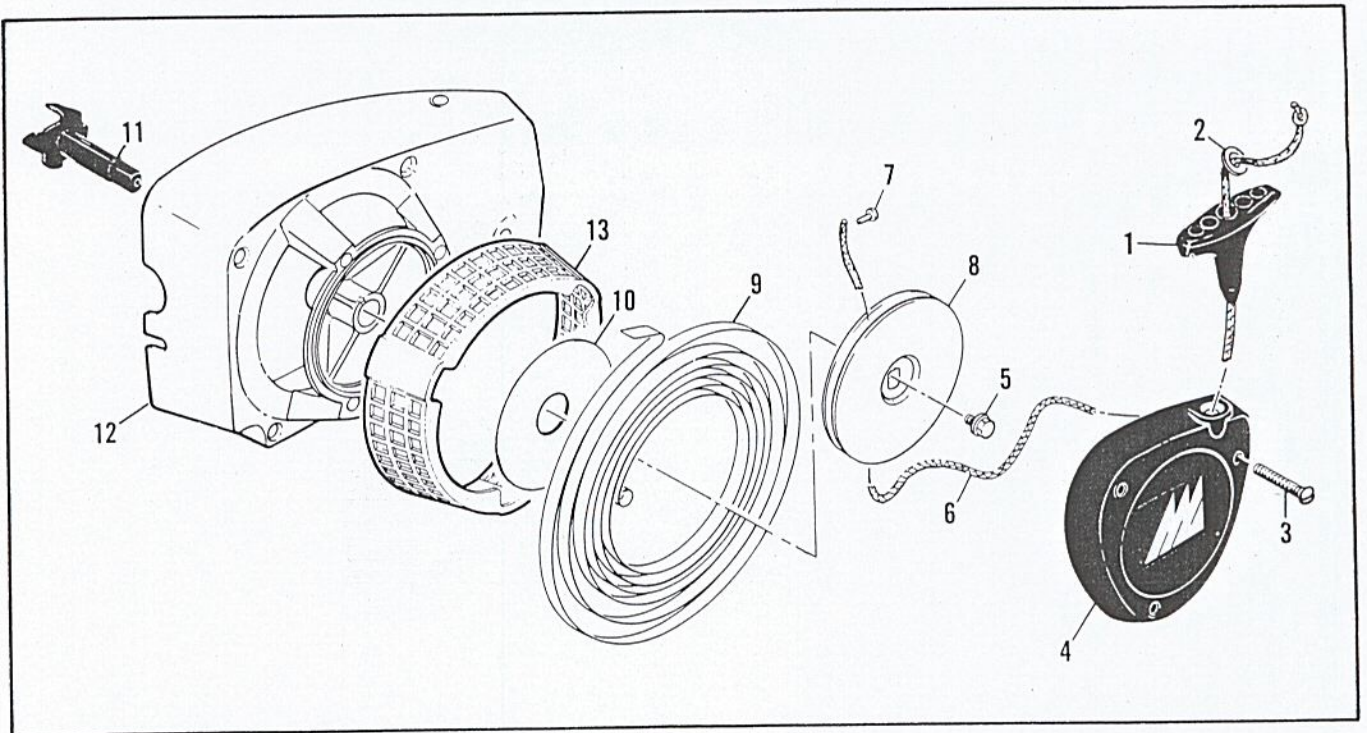


Figure 3. Fan Housing & Starter Assemblies

Figure 2. CHAIN BRAKE Assembly

Item No.	Part Number	Description	Units Per Asy.
1	91278	CHAIN BRAKE Assembly	1
	102500	. Screw - Pan hd 10-24 x 1/2	1
2	91273	. Washer - Special	1
3	91251	. Lever Assembly	1
4	91239	. Spring	1
5	91235A	. Latch Assembly	1
6	105738	. Screw - Skt hd 1/4-20 x 7/8	1
7	91274	. Washer - Special	2
8	91238	. Band	1
9	91249	. Housing Assembly	1
10	110527	. . Screw - Fil hd 10-24 x 2-3/4	1

Item No.	Part Number	Description	Units Per Asy.
11	110264	. . Washer - #10	1
12	61705	. . Nut - Bar adjusting	1
13	100002	. . Washer - #10	1
14	102067	. . Nut - Hx 10-24	1
15	91246	. . Pin - Lever pivot	1
16	91245	. . Washer - Thrust	1
17	86330	Kit - Spike (A)	1
18	102388	. Screw - Hx hd 10-24 x 5/8 (A)	2
19	24236	. Washer- Special (A)	2
20	101191	. Nut - Hx 10-24 (A)	2

Service Specifications

Spark Plug Gap	-	.025 inch (.63 mm)
Lamination Gap	-	.010 to .012 inch (.25 to .30 mm)
Breaker Point Gap	-	.019 to .020 inch (.48 to .51 mm)
Timing	-	26° BTDC
Clutch Engagement Speed	-	2800 to 3000 R.P.M.
Torques	-	Connecting Rod Screws: 65 to 70 inch/pounds (75 to 81 cm/kg)
		Clutch Nut: 160 to 170 inch/pounds (184 to 196 cm/kg)
		Flywheel Nut: 265 to 325 inch/pounds (305 to 374 cm/kg)

Figure 3. Fan Housing & Starter Assemblies

Item No.	Part Number	Description	Units Per Asy
1	91255	Kit-Starter handle	1
2	105490	. Washer-Starter handle	1
	87667	Fan Housing & Starter Asy	1
3	110646	. Screw-Oval hd 8-32 x 1-1/8	3
4	87672	. Cover-Starter	1
5	110341	. Screw-Hx hd 10-24 x 1/2	1

Item No.	Part Number	Description	Units Per Asy
6	68162	. Rope-Starter	1
7	110470	. Rivet-Rope	1
8	85122	. Drum-Starter	1
9	87680	. Spring-Rewind	1
10	86053	. Shield-Spring	1
11	83748	. Shaft-Starter	1
12	87693	. Kit-Fan Housing	1
13	87674	. . Guard-Sawdust	1

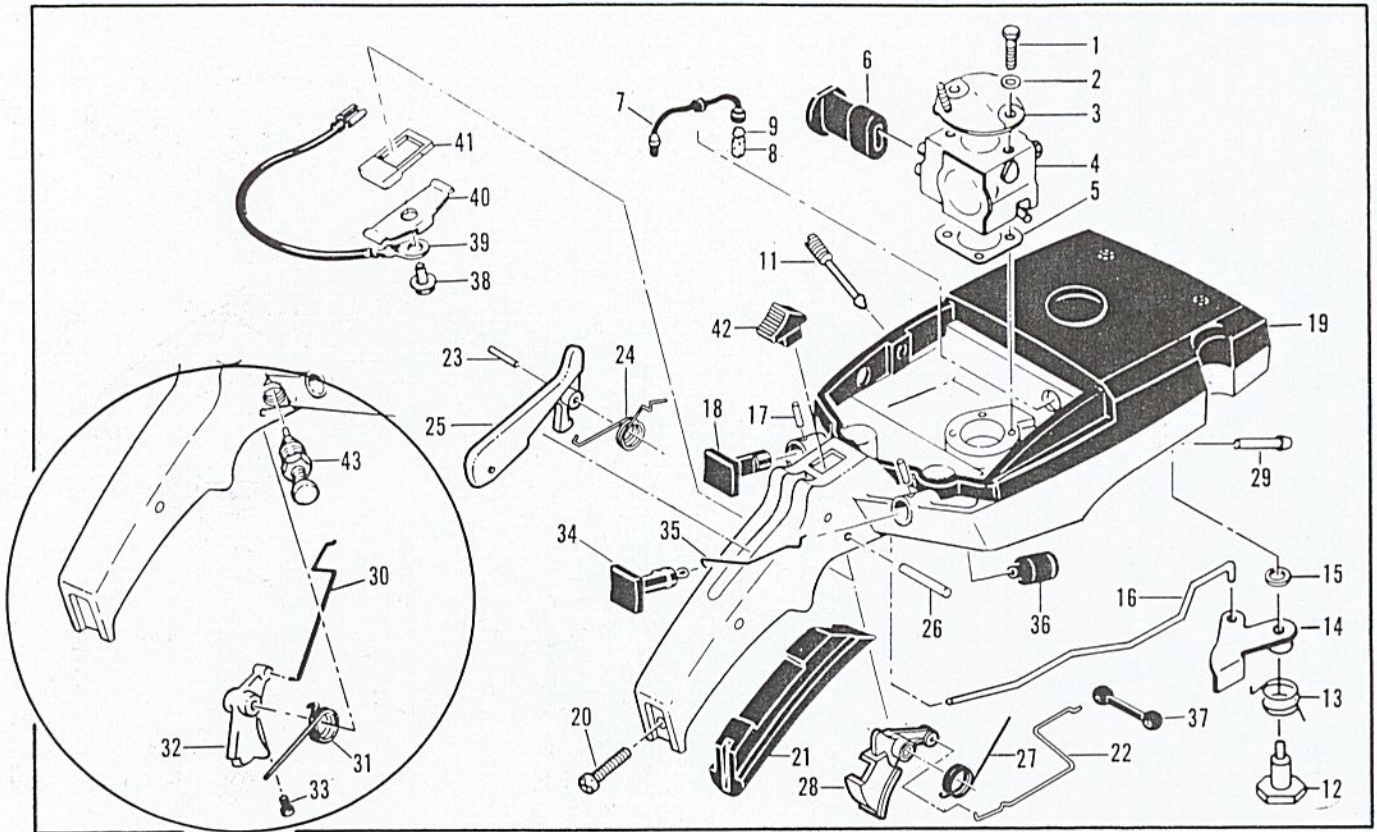


Figure 4. Fuel Tank Assembly

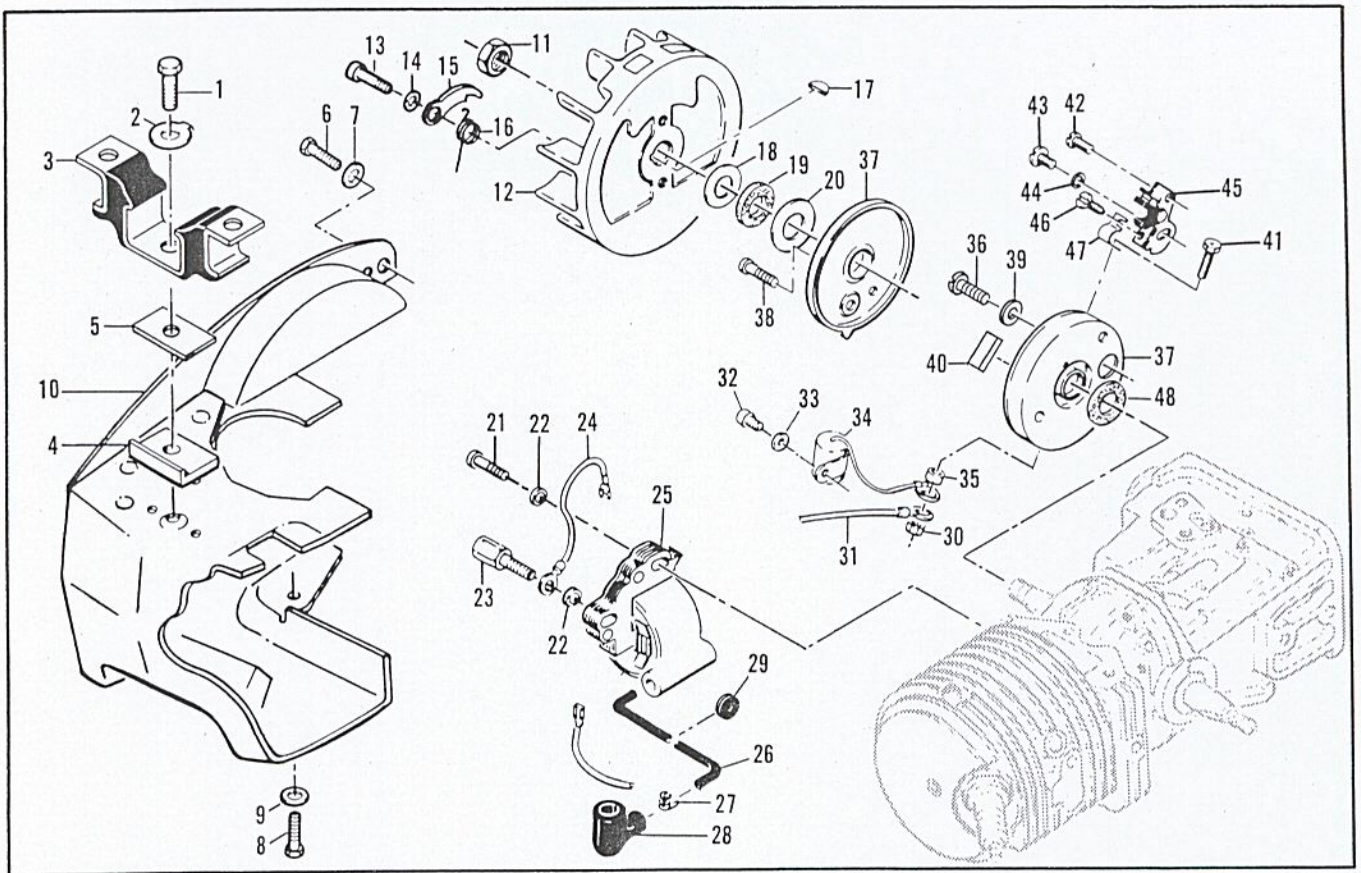


Figure 5. Flywheel & Ignition System

Figure 4. Fuel Tank Assembly

Item No.	Part Number	Description	Units Per Asy.
1	110894	Screw - Hx hd 10-24 x 2-1/8	2
2	-110964	Washer	2
3	83204	Bracket Assembly	1
4		Carburetor Asy (Fig. 6,7)	
5	86189	Gasket - Carburetor	1
6	69629	① Boot - Carburetor controls	1
(6)	85901	② Boot - Carburetor controls	1
7	64848	Hose Assembly - Fuel	1
8	63932	. Filter - Fuel	1
9	100440	. Washer	1
10		(Deleted)	
11	86273	Screw - Idle speed	1
12	69594	Pivot - Oiler lever	1
13	69781	Spring - Oiler lever	1
14	69825	Lever Assembly - Oiler	1
15	105048	Washer - 3/16	1
16	69802	Rod - Oiler	1
17	105673	Pin - Roll 3/32 x 9/16	2
18	63044	Button - Oiler	1
19	-87888A	Tank Assembly - Fuel	1
20	105722	. Screw - Fil hd 1/4-20 x 1-3/8	1
21	89400	. Insert - Handle grip	1

Item No.	Part Number	Description	Units Per Asy.
22	-92155	③ . Rod - Throttle	1
23	-105654	③ . Pin - Roll 1/8 x 7/8	1
24	-92154	③ . Spring - Trigger release	1
25	-92153	③ . Release - Trigger	1
26	110378	. Pin - Roll 3/16 x 15/16	1
27	-92152	③ . Spring - Trigger	1
28	-92151	③ . Trigger - Throttle	1
29	69600	. Nipple - Pulse line	1
30	69632	④ Rod - Throttle	1
31	87178	④ Spring - Trigger	1
32	88796	④ Trigger - Throttle	1
33	110668	④ Screw - Filhd 8-36 x 5/8	1
34	69630	Button - Choke	1
35	69631	Rod - Choke	1
36	69597	Boot - Control rod	2
37	69043	Snubber - Rod	1
38	110706	Screw - Filhd 8-18 x 1/2 (SEMS)	1
39	83661	Wire Asy - Stop switch	1
40	62451	Contact - Switch	1
41	62950A	Base - Switch	1
42	68846	Button - Switch	1
43	85451	④ Latch Asy - Throttle	1

- ① Used on models with Carburetor Asy, P/N 87821 (Figure 6).
- ② Used on models with Carburetor Asy, P/N 85916 (Figure 7).
- ③ Used on models with serial number prefix 12-.
- ④ Used on models with serial number prefix 11-.

Figure 5. Flywheel & Ignition System

Item No.	Part Number	Description	Units Per Asy
1	83811	Screw-Special	1
2	69924	Plate-Lock	1
3	91578	Mount-Rear	1
4	-83693	Kit-Rear mount adaptor	1
5	84619	. Insulator-Rear mount	1
6	110776	Screw- Fil hd 8-32 x 3/8	1
7	100057	Washer-Lock #8	1
8	-110640	Screw-Hx hd 12-24 x 5/8	1
9	110106	Washer-#12	1
10	-85747A	Shroud Asy	1
11	110703	Nut-Hx 3/8-24	1
12	86068	Flywheel Asy	1
13	88804	Screw-Pawl pivot	2
14	83241	Washer-Special	2
15	67546	Pawl-Starter	2
16	67545	Spring-Pawl	2
17	100106	Key-Woodruff	1
18	67057	Washer-Thrust	1
19	67056	Seal-Breaker box cover	1
20	67054	Washer-Thrust	1
21	110127	Screw-Hx hd 10-24 x 7/8 (SEMS)	1
22	100002	Washer-#10	2
23	83512	Stud-Special	1
24	85798	Wire Asy-Ground	1

Item No.	Part Number	Description	Units Per Asy
25	87246A	Coil & Lamination Asy	1
26	50120	. Wire Asy-Spark plug	1
27	55061	. . Connector	1
28	85758	. . Boot	1
29	100268	. Grommet	1
30	100298	Nut-Hx 6-32	1
31	85796	Wire Asy-Primary	1
32	-110338	Screw-Fil hd 8-32 x 1/2	1
33	100080	Washer-#8	1
34	85358	Condenser	1
35	62365	Spacer-Breaker box	1
36	110584	Screw-Pan hd 8-32 x 3/4	1
37	91852	Kit-Breaker Box & Cover	1
38	110489	. Screw-Pan hd 6-32 x 7/16	1
39	91838	. Washer	1
40	54184	Wiper-Cam	1
41	110346	Screw-Hx hd 6-32 x 3/4	1
42	110811	Screw-Pan hd 8-32 x 3/8	1
43	-110969	Screw-Hx hd 8-32 x 1/2	1
44	105976	Washer-#8	1
45	88808	Breaker Asy	1
46	110706	Screw-Pan hd 6-32 x 7/16 s/t	1
47	83126	Strap-Conduction	1
48	67051	Seal-Breaker box	1

# SUPER PRO 70

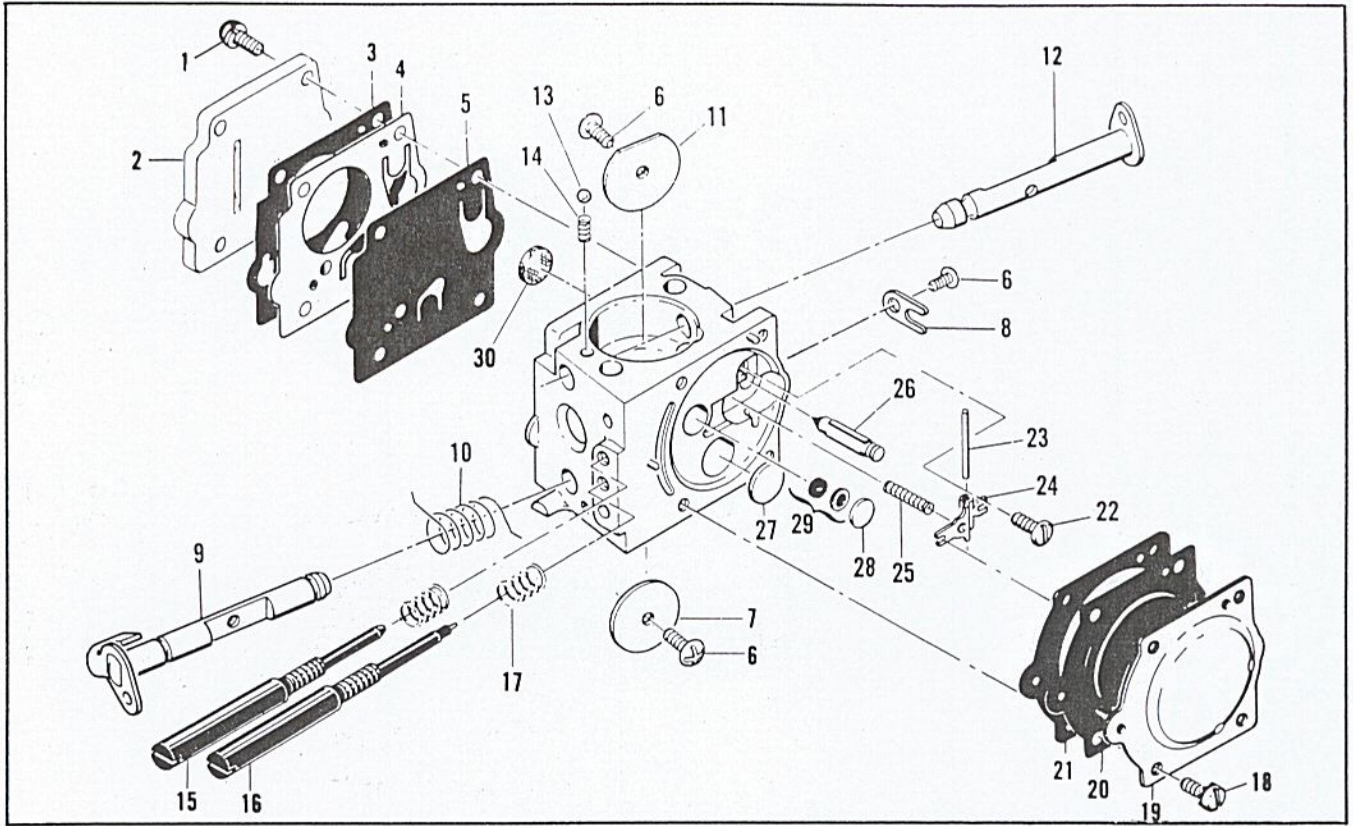


Figure 6. Carburetor Assembly

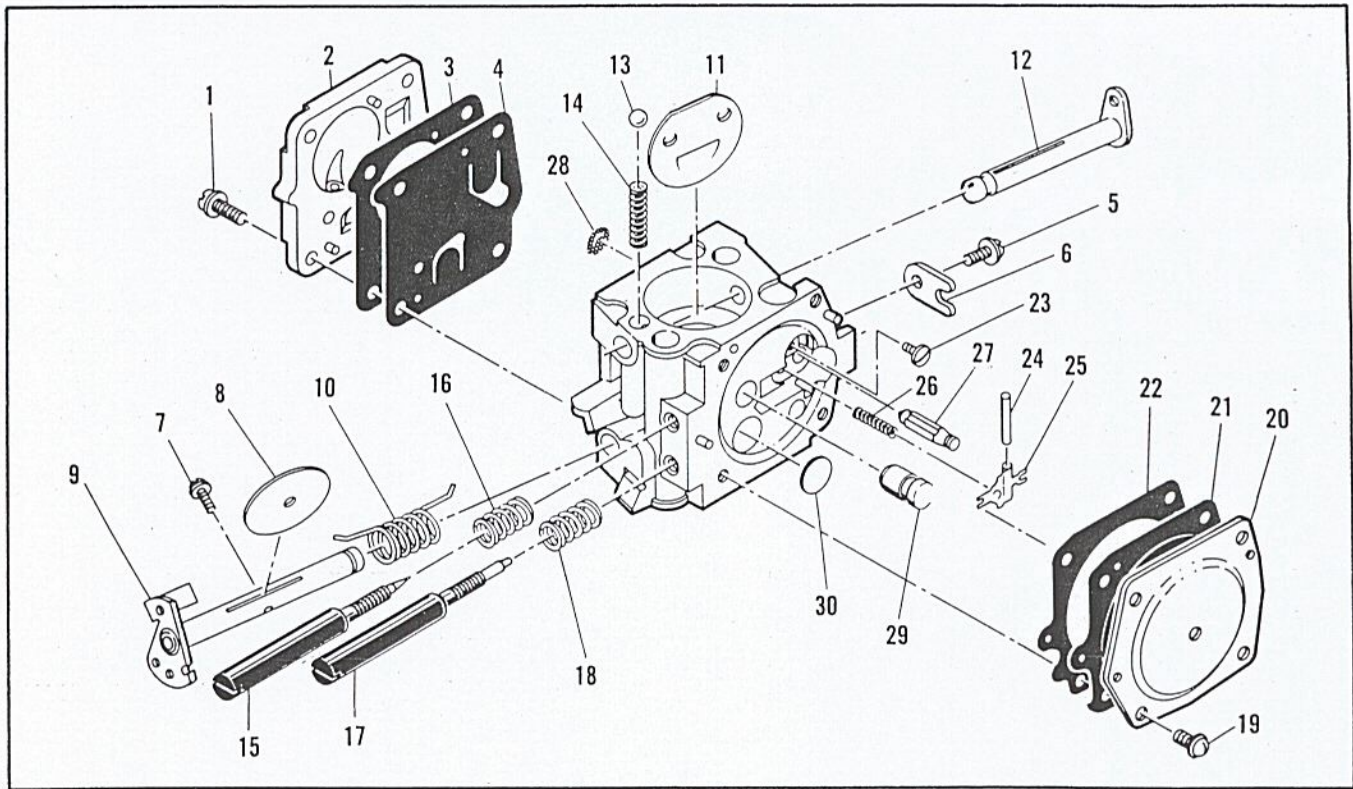


Figure 7. Carburetor Assembly



Figure 6. Carburetor Assembly

Item No.	Part Number	Description	Units Per Asy
	87821	① Carburetor Asy	1
1	67501	. Screw - Pump cover	4
2	88731	. Kit - Pump cover	1
3	88617	② . Gasket - Cover	1
4	67498	③ . Diaphragm - Check valve	1
5	83114	③ . Diaphragm - Fuel pump	1
6	47690	③ . Screw - Plate	3
7	83762	. Plate - Throttle	1
8	67489	. Clip - Shaft	1
9	85980	. Shaft Asy - Throttle	1
10	85981	. Spring - Throttle return	1
11	67490	. Plate - Choke	1
12	67488	. Shaft Asy - Choke	1
13	100302	③ . Ball - Choke friction	1
14	67504	③ . Spring - Choke friction	1
15	85979	③ . Needle - High Speed	1
16	85982	③ . Needle - Idle	1

Item No.	Part Number	Description	Units Per Asy
17	67502	③ . Spring - Needle	2
18	70798	. Screw - Diaphragm	4
19	83761	. Cover - Diaphragm	1
20	67499	③ . Diaphragm - Metering	1
21	67496	② . Gasket - Diaphragm	1
22	67500	③ . Screw - Lever pin	1
23	67508	③ . Pin - Lever	1
24	67509	③ . Lever - Inlet	1
25	67503	③ . Spring - Lever	1
26	67491	③ . Valve - Needle	1
27	71690	③ . Plug - 3/8	1
28	69506	③ . Plug - 5/16	1
29	83758	. Kit - Valve & Seat Asy	1
30	67507	③ . Screen - Fuel	1
	67482	③ Gasket Kit	
	85987	Repair Kit	

- ① Used on models with serial number prefix 11- and 12-.
- ② Contained in Gasket Kit , P/N 67482.
- ③ Contained in Repair Kit, P/N 85987.

Note: Carburetor Asy, P/N 87821 (SDC 38A, Figure 6) and Carburetor Asy, P/N 85916 (HS 111A, Figure 7) are alternates used on models with serial number prefix 12-.

Before ordering parts, identify the carburetor on the saw.

Figure 7. Carburetor Assembly

Item No.	Part Number	Description	Units Per Asy
	85916	① Carburetor Asy	1
1	52933	. Screw - Pump cover	4
2	66628	. Cover - Pump	1
3	66629	. Gasket - Cover	1
4	66630	. Diaphragm - Fuel pump	1
5	48780	. Screw - Clip retainer	1
6	66646	. Clip - Throttle shaft	1
7	48780	. Screw - Plate	1
8	51720	. Plate - Throttle	1
9	83546	. Shaft Asy - Throttle	1
10	67136	. Spring - Throttle return	1
11	65856	. Plate - Choke	1
12	83725	. Shaft Asy - Choke	1
13	100071	. Ball - Choke friction	1
14	52930	. Spring - Choke friction	1
15	86169	. Needle - High speed	1

Item No.	Part Number	Description	Units Per Asy
16	52936	. Spring - High Speed needle	1
17	86170	. Needle - Idle	1
18	67133	. Spring - Idle needle	1
19	51721	. Screw - Diaphragm cover	4
20	83724	. Cover - Diaphragm	1
21	66632	. Diaphragm - Metering	1
22	66633	. Gasket - Diaphragm	1
23	83479	. Screw - Lever pin	1
24	66636	. Pin - Lever	1
25	66638	. Lever - Metering	1
26	66404	. Spring - Lever	1
27	66637	. Valve - Needle	1
28	66623	. Screen - Fuel inlet	1
29	83729	. Check Valve - Nozzle	1
30	66622	. Plug - Welch	1

- ① Used on models with serial number prefix 12-.

# SUPER PRO 70

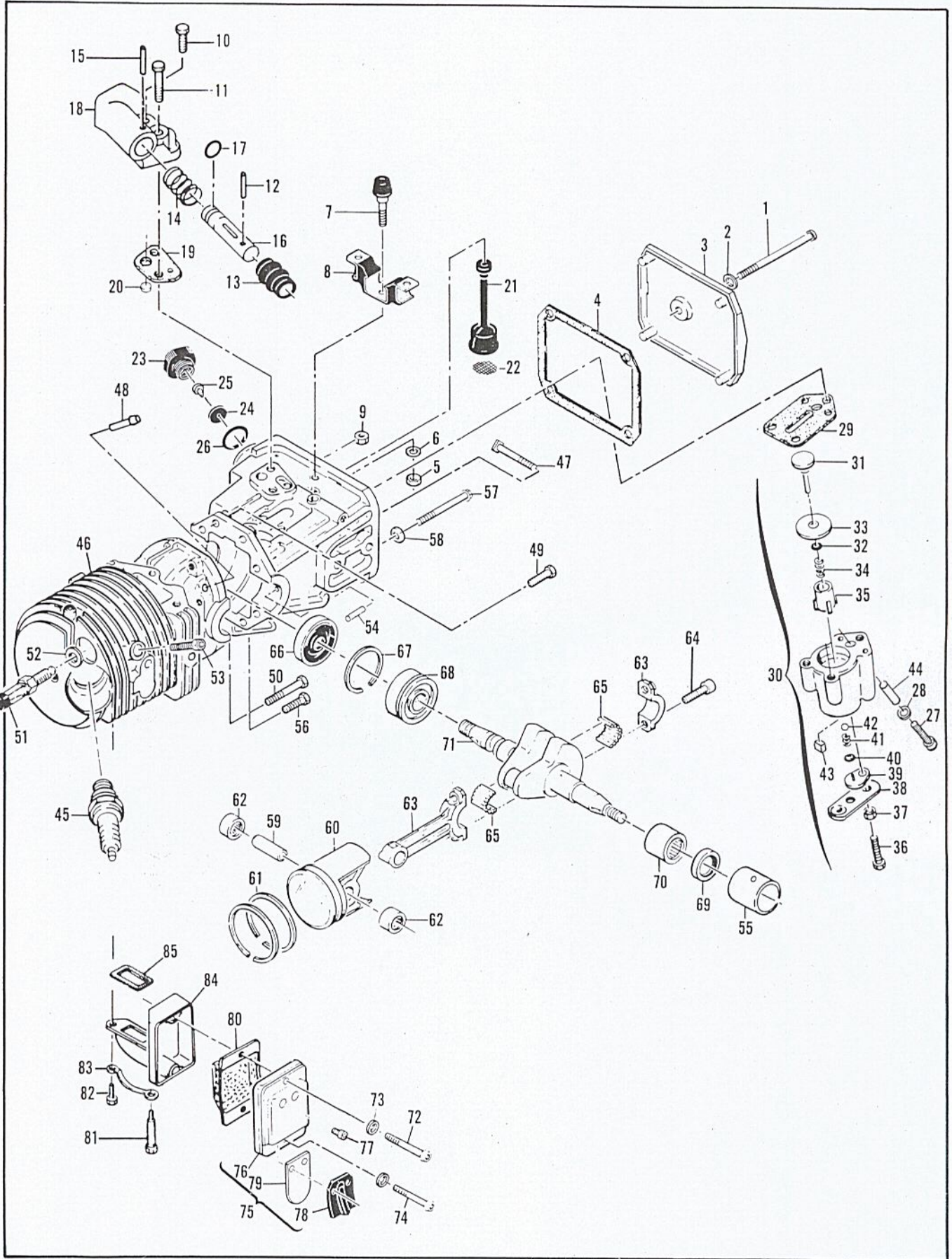


Figure 8. Powerhead & Oiler Assemblies

Figure 8. Powerhead & Oiler Assemblies

Item No.	Part Number	Description	Units Per Asy
1	110291	Screw-Pan hd 10-24 x 2-5/8	1
2	110921	Washer-Sealing	1
3	86304	Cover-Oil tank	1
4	86306	Gasket-Cover	1
5	101143	Nut-Hx 1/4-20	1
6	102523	Washer-1/4	1
7	69832	Bumper-Front	1
8	91582	Mount-Front	1
9	100955	Nut-Hx 8-32	1
10	110670	Screw-Pan hd 8-32 x 5/8	1
11	105245	Screw-Fil hd 8-32 x 1 (SEMS)	1
12	105673	Pin-Roll 3/32 x 9/16	1
13	69586	Boot-Plunger	1
14	69585	Spring-Plunger	1
15	101556	Pin-Roll 1/8 x 5/8	1
16	91219	Plunger-Pump	1
17	105614	"O" Ring	1
18	91218	Body-Oil pump	1
19	91669	Gasket-Oil pump	1
20	91668	Valve-Oiler	1
21	-91672	Hose Asy-Oil pickup	1
22	51506	. Screen-Hose	1
23	87270	Cap Asy-Oil	1
24	87269	. Retainer	1
25	86402	. Valve-Check	1
26	101148	"O" Ring	1
27	110865	Screw-Hx hd 10-24 x 7/8	1
28	100003	Washer-#10	1
29	-92818	Seal-Pulse pump	1
30	-89115A	Pump Asy-Pulse	1
31	60260A	. Piston Asy-Pump	1
32	105603	. "O" Ring	1
33	86182	. Ring-Piston	1
34	60259	. Spring - Piston	1
35	62227	. Sleeve - Adjustment	1
36	110386	. Screw-Hx hd 8-32 x 1	1
37	100251	. Nut-Hx 8-32	1
38	89114 ①	. Clamp-Pump	1
39	62407	. Cover-Outlet valve	1
40	106104	. "O" Ring	1
41	-92844	. Spring - Outlet valve	1
42	102809	. Ball-Valve	1
43	91259	. Pad-Felt	1
44	91774	. Sleeve	1

Item No.	Part Number	Description	Units Per Asy
45	63097	Spark Plug (A)	1
(45)	63432	Spark Plug (B,D,E,J)	1
46	-92257	Cyl/C'Case/Bolt Asy	1
47	62065	. Bolt-Bar mounting	2
48	69600	. Nipple-Pulse line	1
49	110288	. Screw-Hx hd 8-32 x 3/4	2
50	110618	. Screw-Hx hd 8-32 x 1-3/8	1
51	87866	Valve-DSP	1
52	85505	Washer-Valve	1
53	110681	Screw-Skt hd 10-24 x 1/4	1
54	110851	Pin-Dowel	1
55	87152	Insert-Bearing	1
56	110288	Screw-Hx hd 8-32 x 3/4	1
57	62105	Screw Asy - Sealing	4
58	62842	. Washer-Sealing	4
59	69020	Pin-Piston	1
60	85239	Piston Asy	1
61	89732	. Ring Set-Piston	1
62	110590	. Bearing-Needle	2
63	85352	Connecting Rod Asy	1
64	61627A	. Screw-Special	2
65	63225	. Roller (Set of 20)	1
66	61618	Seal-Oil	1
67	63464	Ring - Snap	1
68	63429B	Bearing-Ball	1
69	110260	Seal-Oil	1
70	104357	Bearing-Needle	1
71	87699	Crankshaft	1
72	110473	Screw-Skt hd 10-24 x 1-5/8	1
73	-24236	Washer-Special	2
74	-110861	Screw-Skt hd 10-24 x 1-7/8	1
75	-65532	Cover-Valve Asy-Muffler	1
76	65419	. Cover & Shield Asy	1
77	110472	. Screw-Skt hd 8-32 x 5/16	2
78	84780	. Stop-Reed	1
79	84779	. Valve-Reed	1
80	85152	Baffle-Muffler	1
81	68187	Screw-Special	1
82	110529	Screw-Hx hd 10-24 x 1/2	1
83	67922	Plate-Lock	1
84	87663	Body & Duct Asy	1
85	84007	Gasket-Muffler	1

① Used on models with serial number prefix 11-.