

SP 60 CHAIN SAW

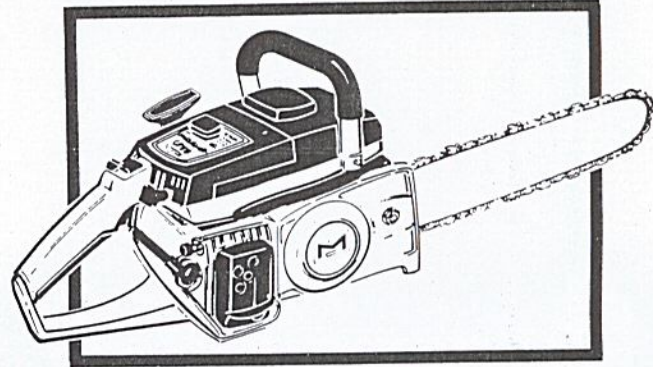
ILLUSTRATED PARTS LIST

Models	Serial Number Prefix
600037B	11-
600037C	11-
600037D	11-, 13-
600037J	11-, 13-
600037S	11-
600037A	13-

SP 60 chain saws are identified by a model number (600037) followed by a suffix letter (B, C, D, etc) stamped on the identification plate attached to the saw. Suffix Letters denote variations in parts or assemblies in manufacture of the saw.

Part numbers listed in this I. P. L. and followed by a suffix letter, indicate the part is used on the model identified by that letter.

Part numbers listed without suffix letter, or letters apply to all models of the SP 60 saw.



DECEMBER 1973

The policy of McCulloch Corporation is one of continual improvement in design, manufacturing and engineering advancement wherever possible to assure still finer two-cycle power tools. Hence, specifications, equipment, colors, design and manufacturer's suggested list prices are subject to change without notice and McCulloch Corporation reserves the right to make such changes without prior notification or obligation to backfit or supply backfit components for units previously shipped from the factory.

I.P.L. 90263 supersedes and cancels I.P.L. 87736.

	Page
Figure 1. General.....	2
Figure 2. Fan Housing & Starter Assemblies	4
Figure 3. Fuel Tank Assembly	4
Figure 4. Carburetor Assembly	6
Figure 5. Carburetor Assembly	6
Figure 6. Carburetor Assembly	8
Figure 7. Flywheel & Ignition System	10
Figure 8. Powerhead & Oiler Assemblies	12



McCULLOCH

COPYRIGHT 1973 U.S.A.
McCULLOCH CORPORATION
Printed in U.S.A.

90263

SP 60

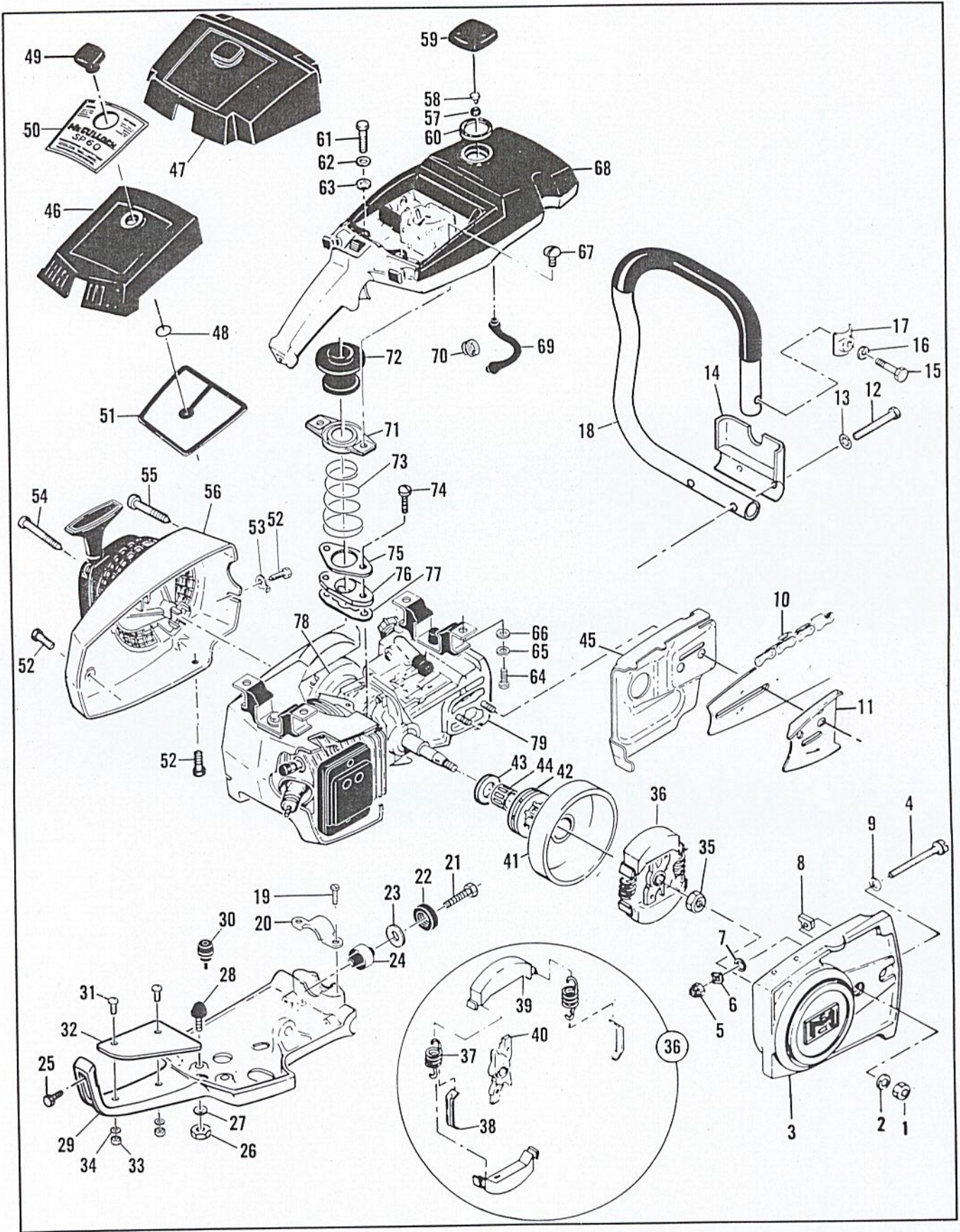


Figure 1. General

FIGURE 1. GENERAL

Item No.	Part Number	Description	Units Per Assy
1	110454	Nut - Hex 5/16-24	2
2	100440	Washer - 5/16	2
3	88586	Clutch Guard Assy	1
4	102144	. Screw - Bar adjusting	1
5	102067	. Nut - Hex 10-24	1
6	110387	. Washer - Wavey	1
7	100002	. Washer - #10	1
8	61705	. Nut - Bar adjusting	1
9	110264	. Washer - 3/16	1
10		Bar & Chain Assy	1
11	64325	Plate - Bar protector	1
12	102433	Screw - Hex hd 10-24 x 1-5/8	2
13	101194	Lockwasher - #10	2
14	84798	Clamp - Frame	1
15	102130	Screw - Hex hd 1/4-20 x 1-1/2	1
16	100153	Lockwasher - 1/4	1
17	63484	Clamp - Frame	1
18	87733	Frame & Grip Assy	1
19	104950	Screw - Hex hd 10-24 x 5/8 (SEMS)	2
20	83819	Clamp - Lower mount	1
21	110679	Screw - Hex hd 1/4-20 x 2	1
22	84661	Grommet	1
23	110845	Washer - 1/4	1
24	85898	Mount - Lower	1
25	① 101977	Screw - Fil hd 1/4-20 x 3/4	1
	② 105722	Screw - Fil hd 1/4-20 x 1-3/8	1
26	① 105367	Nut - Hex 10-24	2
27	① 100240	Lockwasher - #10	2
28	① 83111	Bumper	2
29	89673	Brace - Frame	1
30	② 89403	. Bumper	2
31	102500	Screw - Pan hd 10-24 x 1/2 (S)	2
32	89672	Protector - Hand (S)	1
33	101191	Nut - Hex 10-24 (S)	2
34	101834	Washer - #10 (S)	2
35	86113	Nut - Hex 3/8-24 L. H.	1
36	87675	Clutch Assy	1
37	83223	. Spring - Clutch	2
38	64583	. Retainer - Spring	2
39	67233	. Shoe - Clutch	2
40	87676	. Rotor - Clutch	1
41	86948	Drum - Clutch	1
42	86951	Sprocket - 7T . 375	1

Item No.	Part Number	Description	Units Per Assy
43	86958	Washer - Sprocket	1
44	110330	Bearing - Sprocket	1
45	84978	Guard - Sawdust	1
46	85850	Cover Assy - Air cleaner (B, C, D, J)	1
47	84700	Cover Assy - Air cleaner (S)	1
48	110565	. Ring - Retaining	1
49	68529	. Knob - Cover	1
50	87735	Nameplate	1
51	85387	Filter Assy - Air (B,C,D,J)	1
	84954	Filter Assy - Air (S)	1
52	110741	Screw - Pan hd 10-24 x 1/2	3
53	① 69890	Lockplate	1
54	62978	Screw - Special	1
55	85242	Screw - Special	1
56		Fan Housing & Starter Assy (See Figure 2)	
57	① 86453	Plug - Cap	1
58	① 53766A	Valve - Cap	1
59	② 89322	Cap - Fuel	1
60	69767	. Gasket - Fuel cap	1
61	102388	Screw - Hex hd 10-24 x 5/8	2
62	101194	Lockwasher - #10	2
63	100002	Washer - #10	2
64	102861	Screw - Hex hd 1/4-20 x 5/8	2
65	100153	Lockwasher - 1/4	2
66	100005	Washer - 1/4	2
67	110807	Screw - Pan hd 8-32 x 5/16	2
68		Fuel Tank Assy (See Figure 3)	
69	69598	Line - Pulse	1
70	87826	Clamp - Pulse line	1
71	83122	Clamp Assy - Boot	1
72	87841	Boot - Part	1
73	83820	Spring - Ground	1
74	104396	Screw - Pan hd 10-24 x 3/4	2
75	69759	Clamp - Boot	1
76	87844	Insulator - Inlet	1
77	88740	Gasket - Insulator	1
78		Flywheel & Ignition System (See Figure 7)	
79		Powerhead & Oiler Assys (See Figure 8)	

- ① Used on models with serial numbers prefixed 11-.
- ② Used on models with serial numbers prefixed 13-.

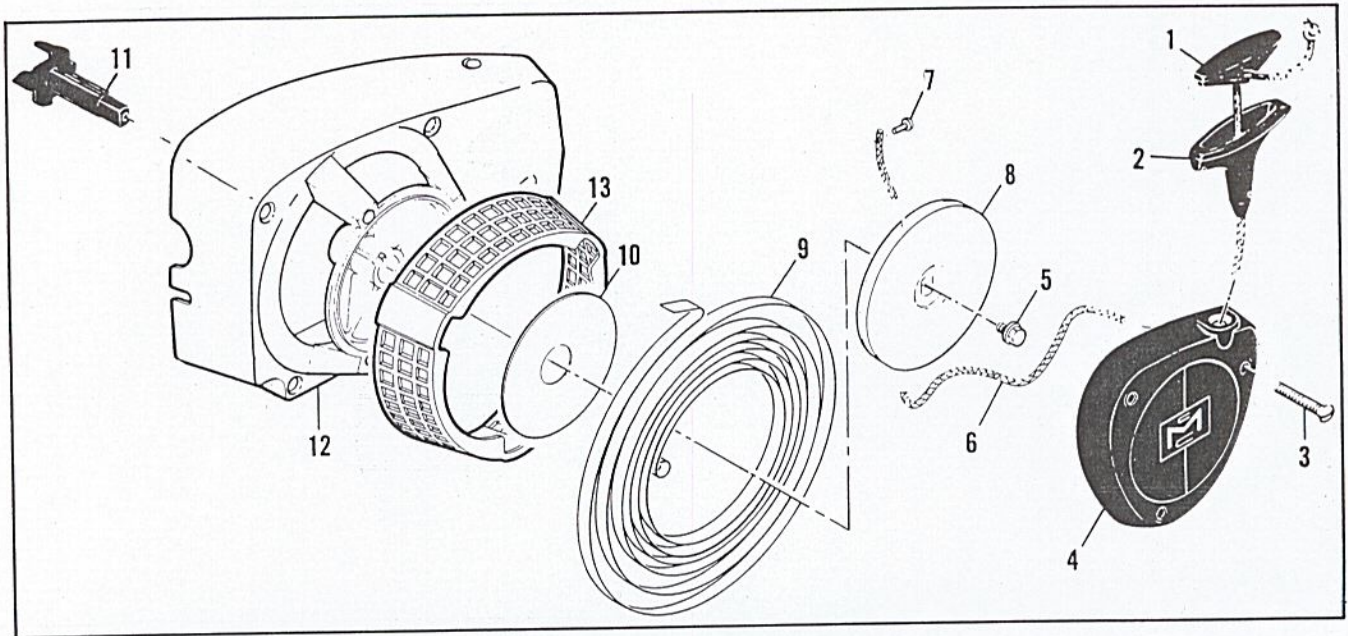


Figure 2. Fan Housing & Starter Assemblies

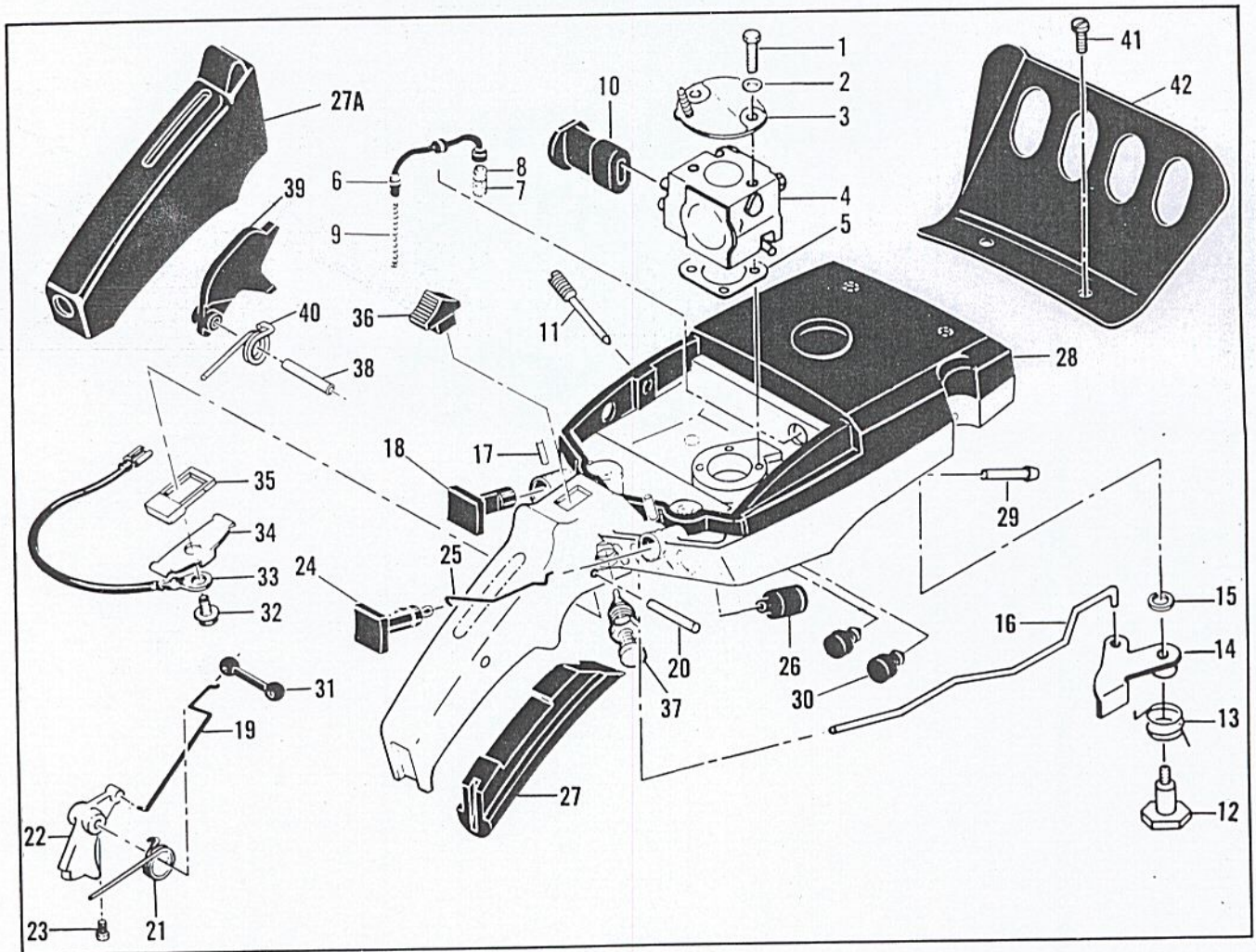


Figure 3. Fuel Tank Assembly

FIGURE 2. FAN HOUSING & STARTER ASSEMBLIES

Item No.	Part Number	Description	Units Per Assy
1	62191A	Insert - Handle	1
2	62190A	Handle - Starter	1
3	110646	Screw - Oval hd 8-32 x 1-1/8	3
4	87672	Cover - Starter	1
5	110341	Screw - Hex hd 10-24 x 1/2	1
6	68162	Rope	1

Item No.	Part Number	Description	Units Per Assy
7	110470	Rivet - Rope	1
8	85122	Drum - Starter	1
9	87680	Spring - Rewind	1
10	86053	Shield - Spring	1
11	83748	Shaft - Starter	1
12	85792	Housing - Fan	1
13	87674	Guard - Sawdust	1

FIGURE 3. FUEL TANK ASSEMBLY

Item No.	Part Number	Description	Units Per Assy
1	110894	Screw - Hex hd 10-24 x 2-1/16	2
2	101194	Lockwasher - #10	2
3	83204	Bracket Assy	1
4		Carburetor Assy (See Figures 4.5 and 6)	
5	86189	Gasket - Carburetor	1
6	64848	Hose Assy - Fuel	1
7	63932	. Filter - Fuel	1
8	100440	. Washer	1
9 ①	67944	Spring - Hose stiffener	1
10 ①	69629	Boot - Carburetor mix (B, C, D, J)	1
①	85901	Boot - Carburetor mix (S)	1
11 ①	86273	Screw - Idle speed adjustment	1
12	69594	Pivot - Oiler lever	1
13	69781	Spring - Oiler lever	1
14	69825	Lever Assy - Oiler	1
15	105048	Washer - 3/16	1
16	69802	Rod - Oiler	1
17	105673	Pin - Roll 3/32 x 9/16	2
18	63044	Button - Oiler	1
19	69632	Rod - Throttle	1
20	110378	Pin - Roll 3/16 x 15/16	1
21	87178	Spring - Throttle return	1
22	88796	Trigger	1
23	110537	Screw - Fil hd 8-36 x 1/2 (D, J)	1
	110668	Screw - Fil hd 8-36 x 5/8 (S)	

Item No.	Part Number	Description	Units Per Assy
24	69630	Button - Choke	1
25	69631	Rod - Choke	1
26	69597	Boot - Control rod	2
27 ①	87883	Grip - Handle (B, C, D, J)	1
27A ①	88841	Grip - Handle (S)	1
②	89400	Grip - Handle	1
28 ①	87888	Tank Assy - Fuel (B, C, D, J)	1
①	87893	Tank Assy - Fuel (S)	1
②	89398	Tank Assy - Fuel (D, J, A)	1
29	69600	. Nipple - Pulse line	1
30	84272	Bumper - Mount	2
31	69043	Snubber - Rod	1
32	103672	Screw - Fil hd 8-32 x 1/2	1
33	83661	Wire Assy - Stop-switch	1
34	62451	Contact - Switch	1
35	62950A	Base - Switch	1
36	68846	Button - Switch	1
37	85451	Latch Assy - Throttle	1
38	103818	Pin - Roll (S)	1
39	87753	Trigger - Release (S)	1
40	85937	Spring - Release trigger (S)	1
41	110741	Screw - Pan hd 10-24 x 1/2 (S)	2
42	87245	Guard - Hand (S)	1

① Used on models with serial numbers prefixed 11-.
 ② Used on models with serial numbers prefixed 13-.

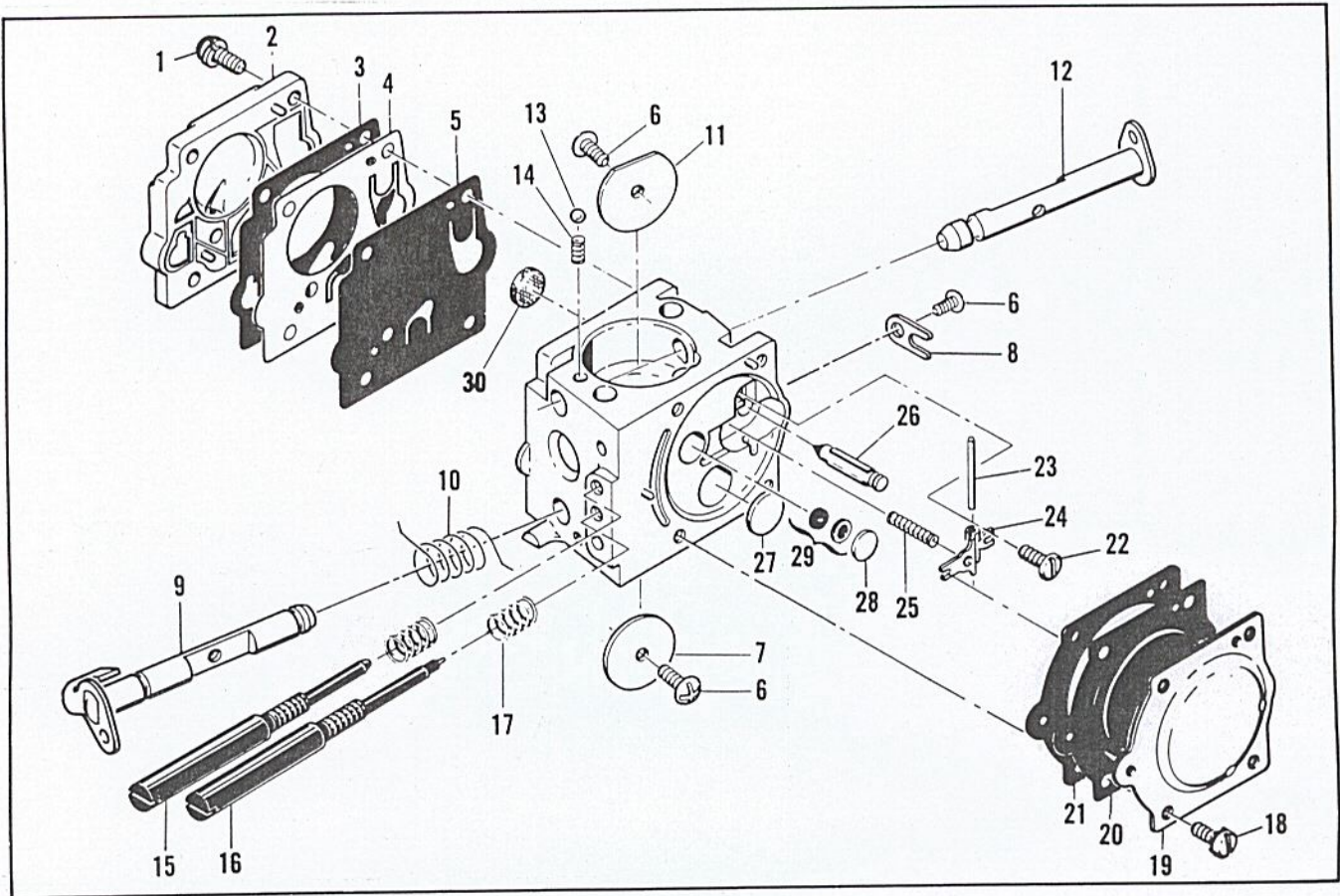


Figure 4. Carburetor Assembly

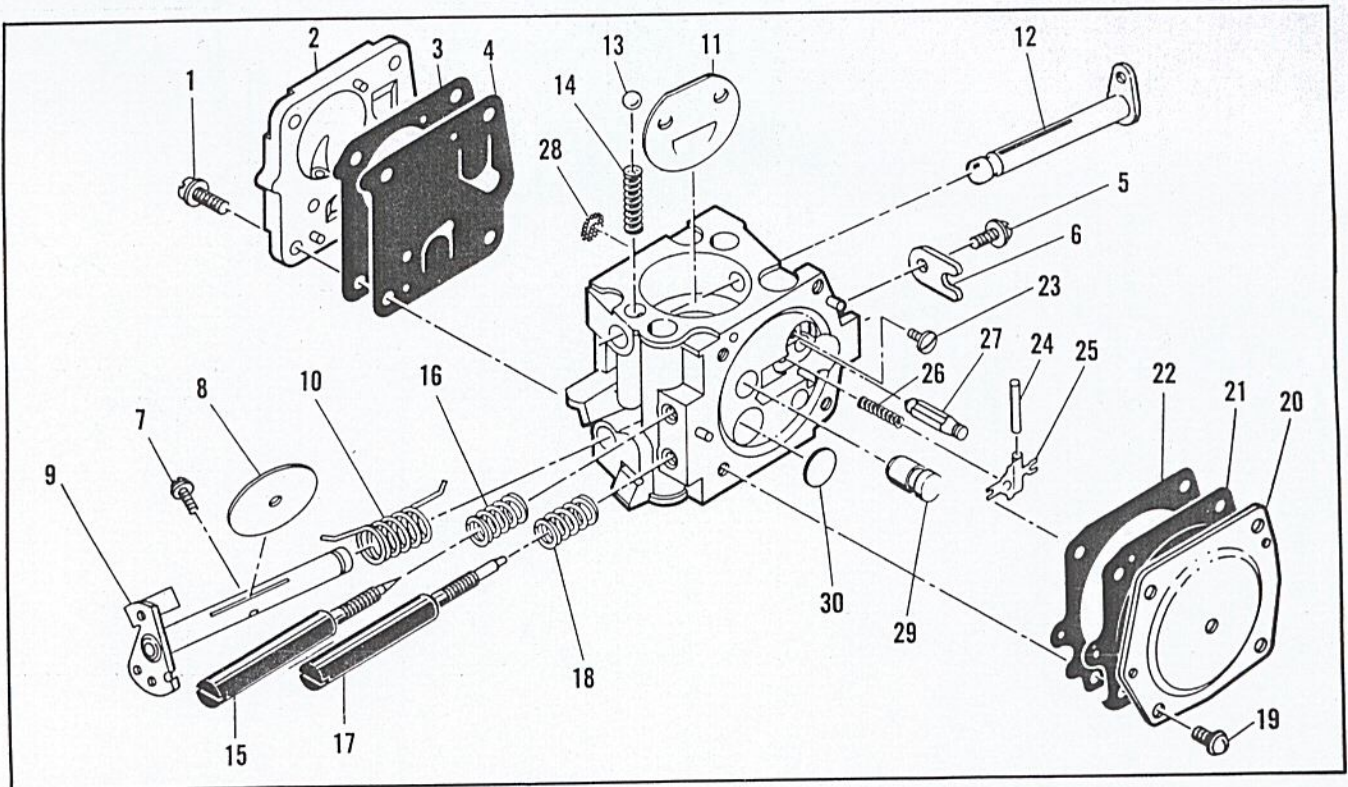


Figure 5. Carburetor Assembly

FIGURE 4. CARBURETOR ASSEMBLY

Item No.	Part Number	Description	Units Per Assy
	① 87821	Carburetor Assy (B, C, D, J)	1
1	67501	. Screw - Pump cover	4
2	83760	. Cover - Pump	1
3	*67495	. Gasket - Cover	1
4	*67498	. Diaphragm - Check valve	1
5	*83114	. Diaphragm - Fuel pump	1
6	*47690	. Screw - Plate	3
7	83762	. Plate - Throttle	1
8	67489	. Clip - Shaft	1
9	85980	. Shaft Assy - Throttle	1
10	85981	. Spring - Throttle return	1
11	67490	. Plate - Choke	1
12	67488	. Shaft Assy - Choke	1
13	*100302	. Ball - Choke friction	1
14	*67504	. Spring - Choke friction	1
15	*85979	. Needle - High speed	1
16	*85982	. Needle - Idle	1

Item No.	Part Number	Description	Units Per Assy
17	*67502	. Spring - Needle	2
18	70798	. Screw - Diaphragm	4
19	83761	. Cover - Diaphragm	1
20	*67499	. Diaphragm - Metering	1
21	*67496	. Gasket - Diaphragm	1
22	*67500	. Screw - Lever pin	1
23	*67508	. Pin - Lever	1
24	*67509	. Lever - Inlet	1
25	*67503	. Spring - Lever	1
26	*67491	. Valve - Needle	1
27	*71690	. Plug - 3/8	1
28	*69506	. Plug - 5/16	1
29	83758	. Kit - Valve & Seat Assy	1
30	*67507	. Screen - Fuel	1
	*67482	Gasket Set	
	85987	Repair Kit	

*Indicates parts included in Repair Kit, P/N 85987

① Used on models with serial numbers prefixed 11-.

FIGURE 5. CARBURETOR ASSEMBLY

Item No.	Part Number	Description	Units Per Assy
	② 85916	Carburetor Assy (S)	1
1	52933	. Screw - Pump cover	4
2	66628	. Cover - Pump	1
3	66629	. Gasket - Cover	1
4	66630	. Diaphragm - Fuel pump	1
5	48780	. Screw - Clip retainer	1
6	66646	. Clip - Throttle shaft	1
7	48780	. Screw - Plate	1
8	51720	. Plate - Throttle	1
9	83546	. Shaft Assy - Throttle	1
10	67136	. Spring - Throttle return	1
11	65856	. Plate - Choke	1
12	83725	. Shaft Assy - Choke	1
13	100071	. Ball - Choke friction	1
14	52930	. Spring - Choke friction	1
15	86169	. Needle - High speed	1

Item No.	Part Number	Description	Units Per Assy
16	52936	. Spring - High speed needle	1
17	86170	. Needle - Idle	1
18	67133	. Spring - Idle needle	1
19	51721	. Screw - Diaphragm cover	4
20	83724	. Cover - Diaphragm	1
21	66632	. Diaphragm - Metering	1
22	66633	. Gasket - Diaphragm	1
23	83479	. Screw - Lever pin	1
24	66636	. Pin - Lever	1
25	66638	. Lever - Metering	1
26	66404	. Spring - Lever	1
27	66637	. Valve - Needle	1
28	66623	. Screen - Fuel inlet	1
29	83729	. Check Valve - Nozzle	1
30	66622	. Plug - Welch	1

② Used on models with serial numbers prefixed 11-.

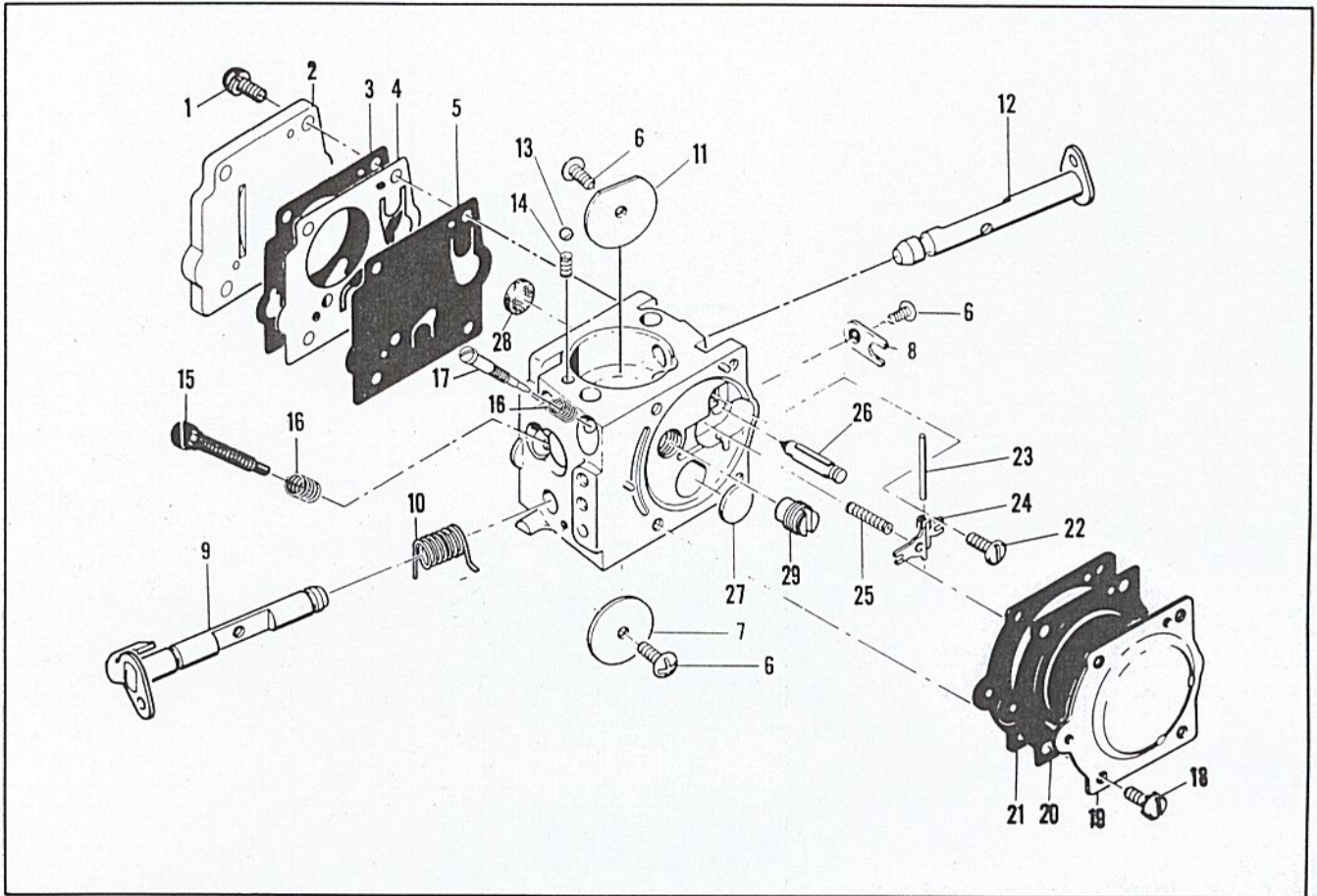


Figure 6. Carburetor Assembly

FIGURE 6. CARBURETOR ASSEMBLY

Item No.	Part Number	Description	Units Per Assy
	③ - 89869	Carburetor Assy (D, J, A)	1
1	67501	. Screw - Pump cover	4
2	88731	. Kit - Pump cover	1
3	**88617	. . Gasket - Cover	1
4	*67498	. Diaphragm - Check valve	1
5	*83114	. Diaphragm - Fuel pump	1
6	*47690	. Screw - Plate	3
7	83762	. Plate - Throttle	1
8	67489	. Clip - Shaft	1
9	67486	. Shaft Assy - Throttle	1
10	85981	. Spring - Throttle return	1
11	67490	. Plate - Choke	1
12	67488	. Shaft Assy - Choke	1
13	*100302	. Ball - Choke friction	1
14	*67504	. Spring - Choke friction	1
15	*68106	. Screw - Idle speed	1
16	*67502	. Spring - Idle	2
17	90345	. Needle - Idle mixture	1
18	70798	. Screw - Diaphragm cover	4

Item No.	Part Number	Description	Units Per Assy
19	83761	. Cover - Diaphragm	1
20	*67499	. Diaphragm - Metering	1
21	**67496	. Gasket - Diaphragm	1
22	*67500	. Screw - Lever pin	1
23	*67508	. Pin - Lever	1
24	*67509	. Lever - Inlet	1
25	*67503	. Spring - Lever	1
26	*67491	. Valve - Needle	1
27	*71690	. Plug - 3/8	1
28	*67507	. Screen - Fuel	1
29	90348	. Jet - High speed (31)	1
	90349	Jet - High speed (29)	Alt.
	90350	Jet - High speed (28)	Alt.
	90351	Jet - High speed (26)	Alt.
	*88619	Kit - Gasket	
	88620	Kit - Repair	

** Contained in Gasket Kit 88619

* Contained in Repair Kit 88620

③ Used on models with serial numbers prefixed 13-.

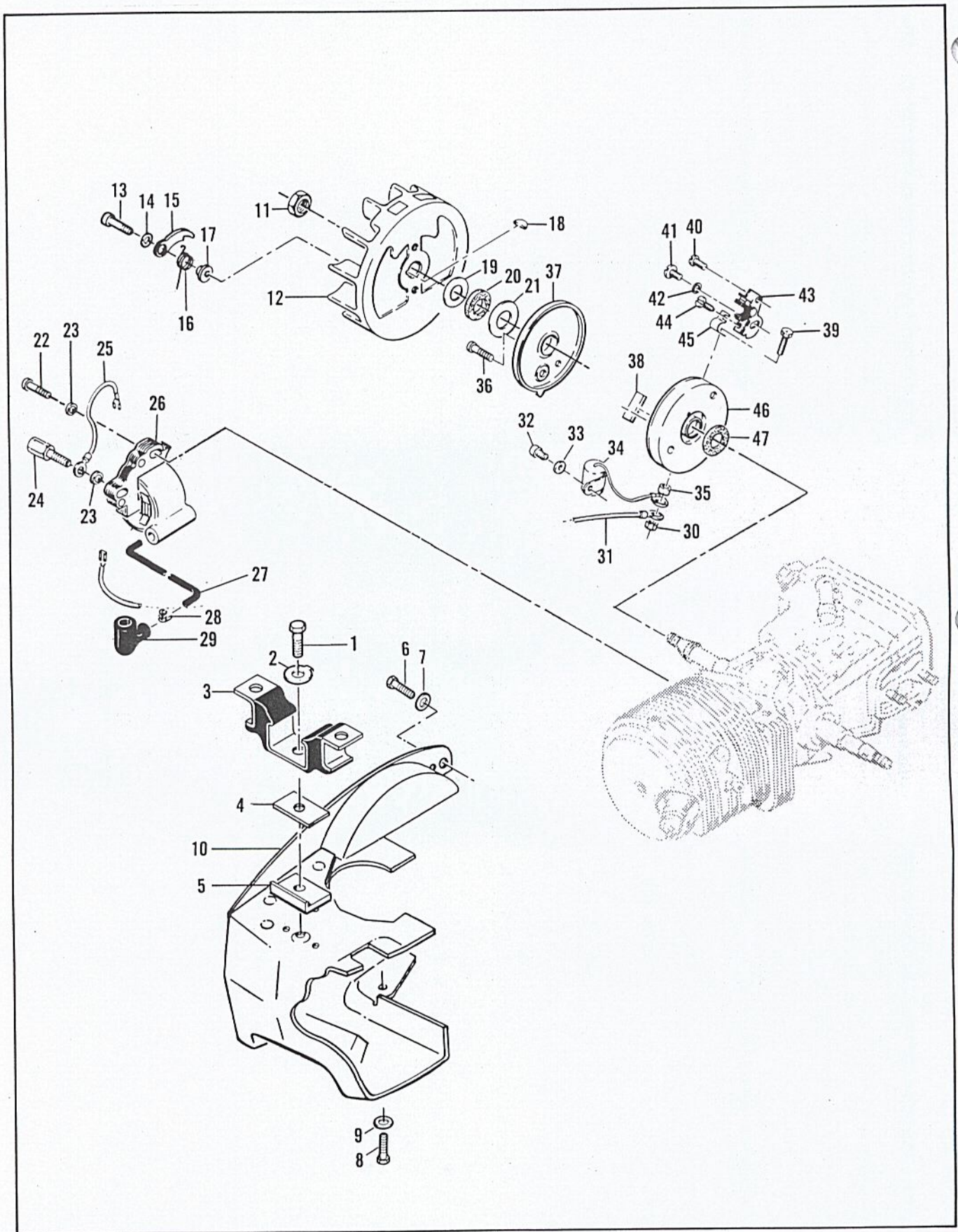


Figure 7. Flywheel & Ignition System

FIGURE 7. FLYWHEEL & IGNITION SYSTEM

Item No.	Part Number	Description	Units Per Assy
1	83811	Screw - Special	1
2	69924	Lockplate	1
3	87814	Mount - Rear	1
4	84246	Insulator - Rear mount	1
5	84245	Adapter - Rear mount	1
6	110775	Screw - Fil hd 8-32 x 1/4	1
7	100057	Lockwasher - #8	1
8	110566	Screw - Hex hd 12-24 x 5/8	1
9	110106	Washer - #12	1
10	85747	Shroud Assy	1
11	110703	Nut - Hex 3/8-24	1
12	86068	Flywheel Assy	1
13	110713	Screw - Skt hd 10-24 x 7/8	2
14	83241	Washer - Special	2
15	67546	Pawl - Starter	2
16	67545	Spring - Pawl	2
17	67547	Pivot - Pawl	2
18	103879	Key - Woodruff	1
19	67057	Washer - Thrust	1
20	67056	Seal - Breaker box cover	1
21	67054	Washer - Thrust	1
22	110127	Screw - Hex hd 10-24 x 7/8 (SEMS)	1
23	100002	Washer - #10	2
24	83512	Stud - Special	1

Item No.	Part Number	Description	Units Per Assy
25	85798	Wire Assy - Ground	1
26	87246	Coil & Lamination Assy	1
27	50120	Wire Assy - Spark plug	1
28	55061	Connector	1
29	85758	Boot	1
30	100298	Nut - Hex 6-32	1
31	85796	Wire Assy - Primary	1
32	103672	Screw - Fil hd 8-32 x 1/2 (SEMS)	1
33	100080	Washer - #8	1
34	85358	Condenser	1
35	62365	Spacer - Breaker box	1
36	110584	Screw - Pan hd 8-32 x 3/4	1
37	62362	Cover - Breaker box	1
38*	54184	Wiper - Cam	1
39	110346	Screw - Hex hd 6-32 x 3/4	1
40	110811	Screw - Pan hd 8-32 x 3/8	1
41	110445	Screw - Truss hd 8-32 x 3/8	1
42	105976	Washer - #8	1
43	88808	Breaker Assy	1
44	110706	Screw - Pan hd 6-32 x 7/16 s/t	1
45	83126	Strap - Conduction	1
46	84329	Box - Breaker	1
47	67051	Seal - Breaker box	1

*Not furnished on models with serial numbers prefixed 13-.

SERVICE SPECIFICATIONS

Spark Plug - AC CS 42T (Standard)
AC CS 41T (colder)
Spark Plug Gap - .025 inch (.63 mm)
Lamination Gap - .007 to .012 inch (.18 to .30 mm)
Breaker Point Gap - .018 inch (.46 mm)
Timing - 26° BTDC
Carburetor Adjustment
Idle mixture needle - 1 turn open (preliminary)
Main mixture - Fixed high speed jet
0 to 4000 feet - Jet No. 31
3000 to 5500 feet - Jet No. 29
4500 to 8000 feet - Jet No. 28
7000 feet and above - Jet No. 26
Clutch Engagement Speed - 2400 to 2800 R.P.M.
Torques
Connecting Rod Screws - 65 to 70 inch/pounds (74.88 to 80.64 cm/kg)
Clutch Nut - 160 to 170 inch/pounds (184.32 to 195.84 cm/kg)
Flywheel Nut - 265 to 325 inch/pounds (305.28 to 374.40 cm/kg)

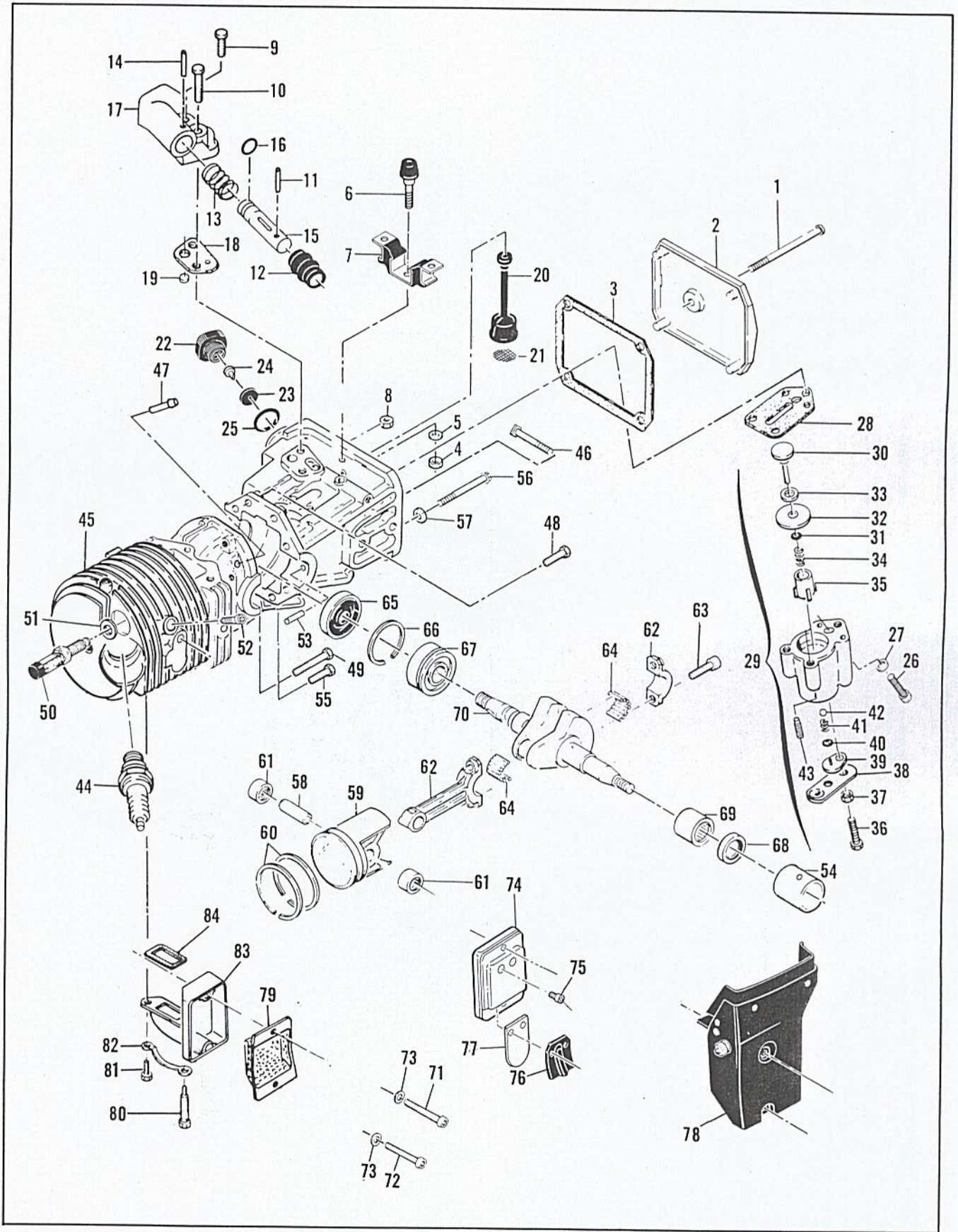


Figure 8. Powerhead & Oiler Assemblies

FIGURE 8. POWERHEAD & OILER ASSEMBLIES

Item No.	Part Number	Description	Units Per Assy
1	110291	Screw - Pan hd 10-24 x 2-5/8	1
2	86304	Cover - Oil tank	1
3	86306	Gasket - Cover	1
4	101143	Nut - Hex 1/4-20	1
5	102523	Washer - 1/4	1
6	69832	Bumper - Front	1
7	87813	Mount - Front	1
8	100955	Nut - Hex 8-32	1
9	103672	Screw - Fil hd 8-32 x 1/2	1
10	105245	Screw - Fil hd 8-32 x 1 (SEMS)	1
11	105673	Pin - Roll 3/32 x 9/16	1
12	69586	Boot - Plunger	1
13	69585	Spring - Plunger	1
14	101556	Pin - Roll 1/8 x 5/8	1
15	69584	Plunger - Pump	1
16	101056	"O" Ring	1
17	69582	Body - Oil pump	1
18	62230	Gasket - Oil pump	1
19	62909	Valve - Oiler	1
20	62123B	Hose Assy - Oil	1
21	51506	. Screen - Hose	1
22	87270	Cap Assy - Oil	1
23	87269	. Retainer	1
24	86402	. Valve - Check	1
25	101148	"O" Ring	1
26	110713	Screw - Skt hd 10-24 x 7/8	1
27	24236	Washer - Special	1
28	89642	Gasket - Pump	1
29	89115	Pump Assy - Pulse	1
30	60260A	. Piston Assy - Pump	1
31	104001	. "O" Ring	1
32	86182	. Ring - Piston	1
33	60937	. Washer - Teflon	1
34	60259	. Spring - Piston	1
35	62227	. Sleeve - Adjustment	1
36	110386	. Screw - Hex hd 8-32 x 1	1
37	100251	. Nut - Hex 8-32	1
38	89114	. Clamp - Pump	1
39	62407	. Cover - Outlet valve	1
40	106104	. "O" Ring	1
41	62885A	. Spring - Outlet valve	1
42	102809	. Ball - Valve	1
43	88645	. Screw - Set 8-32 x 7/16	1
44	63097	Spark Plug AC CS 45T	1

Item No.	Part Number	Description	Units Per Assy
45	87737	Crankcase Assy	1
46	62065	. Bolt - Bar mounting	2
47	69600	. Nipple - Pulse line	1
48	110288	. Screw - Hex hd 8-32 x 3/4	2
49	110618	. Screw - Hex hd 8-32 x 1-3/8	1
50	87866	Valve - DSP	1
51	85505	Washer - Valve	1
52	110681	Screw - Skt hd 10-24 x 1/4	1
53	110851	Pin - Dowel	1
54	87152	Insert - Bearing	1
55	110288	Screw - Hex hd 8-32 x 3/4	1
56	62105	Screw Assy - Sealing	4
57	62842	. Washer - Sealing	4
58	87710	Pin - Piston	1
59	87713	Piston Assy	1
60	87716	. Ring Set - Piston	1
61	110590	. Bearing - Needle	2
62	85352	Connecting Rod Assy	1
63	61627A	. Screw - Special	2
64	63225	. Roller (set of 20)	1
65	61618	Seal - Oil	1
66	63464	Ring - Snap	1
67	63429B	Bearing - Ball	1
68	110260	Seal - Oil	1
69	104357	Bearing - Needle	1
70	87728	Crankshaft	1
71	104534	Screw - Skt hd 12-24 x 1-13/32	1
72	101563	Screw - Skt hd 10-24 x 1-1/4	1
73	24236	Washer - Special	2
74	87683	Cover & Valve Assy	1
75	110472	. Screw - Skt hd 8-32 x 5/16	2
76	87286	. Stop - Reed	1
77	87682	. Valve - Reed	1
78	85997	Duct, Valve & Guard Assy (S)	1
79	85152	Baffle - Muffler (B, C, J, S)	1
80	68187	Screw - Special	1
81	110529	Screw - Hex hd 10-24 x 1/2	1
82	67922	Lockplate	1
83	87663	Body & Duct Assy	1
84	84007	Gasket - Muffler	1

ACCESSORIES

Part Number	Description
84922	Kit - Spark arrester baffle
86355	Kit - Preheater
85488	Guard - Crankshaft seal
85726	Manual - Owner's (D, J, S)
200779	Manual - Owner's (B, C)
62827	Wrench (C, D, J,)
83235	Wrench (B, S)

SP60 NUMERICAL ORDER PARTS LIST

Part Number	Description	Units Per Assy
24236	Washer - Special	3
47690	Screw - Rd 6-32	3
48780	Screw & Lockwasher	2
50120	Wire Assy - Spark	1
51506	Screen - Oil	1
51720	Shutter - Throttle	1
51721	Screw - Rd 4-40	4
52930	Spring - Choke	1
52933	Screw - Cover	4
52936	Spring - Adj	1
53766A	Valve - Check	1
54184	Wiper - Oil	1
55061	Connector - Sparkplug	1
60259	Spring - Piston	1
60260A	Piston Assy	1
60937	Washer - Pulse	1
61618	Seal - Oil	1
61627A	Screw - Connector rod	2
61705	Nut - Blade adj	1
62065	Bolt - Bar mounting	2
62105	Screw Assy - Sealing	4
62123B	Hose Assy - Oil	1
62190A	Handle - Starter	1
62191A	Insert - Starter	1
62227	Sleeve - Oiler	1
62230	Gasket - Oil	1
62362	Cover - Breaker	1
62365	Spacer - Breaker	1
62407	Cover - Outlet	1
62451	Contact - Ignition	1
62842	Washer - Sealing	4
62885A	Spring - Outlet	1
62909	Valve - Oiler	1
62950A	Base - Stop switch	1
62978	Screw - Oval 8-32	1
63044	Button - Oiler	1
63097	Sparkplug	1
63225	Bearing - Needle	1
63429B	Bearing - Ball	1
63464	Ring - Snap	1
63484	Clamp - Frame	1
63932	Filter - Felt	1
64325	Plate - Bar	1
64583	Retainer - Clutch	2
64848	Hose Assy	1
65856	Shutter - Choke	1
66404	Spring - Inlet	1
66622	Plug - .344 dia	1
66623	Screen - Inlet	1
66628	Cover - Pump	1
66629	Gasket - Fuel pump	1
66630	Diaphragm - Fuel	1
66632	Diaphragm	1
66633	Gasket - Diaphragm	1
66636	Pin - Inlet	1
66637	Needle - Inlet	1
66638	Lever - Inlet	1
66646	Clip - Throttle	1
67051	Seal - Breaker	1
67054	Washer - Thrust	1
67056	Seal - Breaker	1
67057	Washer - Thrust	1

Part Number	Description	Units Per Assy
67133	Spring - Idle adj	1
67136	Spring - Throttle	1
67233	Shoe - Clutch	2
67486	Shaft Assy - Throttle	1
67488	Shaft Assy	1
67489	Clip - Throttle	1
67490	Valve - Choke	1
67491	Valve - Inlet	1
67495	Gasket - Fuel pump	1
67496	Gasket - Metering	1
67498	Diaphragm - Check	1
67499	Diaphragm Assy	1
67500	Screw - Metering	1
67501	Screw Assy - Fuel pump	4
67502	Spring - Adj.	2
67503	Spring - Lever	1
67504	Spring - Choke	1
67507	Screen - Inlet	1
67508	Pin - Metering	1
67509	Lever - Metering	1
67545	Spring - Pawl	2
67546	Pawl - Starter	2
67547	Pivot - Pawl	2
67922	Plate - Lock	1
67944	Spring - Hose	1
68106	Screw - Idle adj.	1
68162	Rope - Starter	1
68187	Screw - Hex 10-24	1
68529	Knob Assy - A/c	1
68846	Button - Stop	1
69043	Snubber	1
69506	Plug - Welch	1
69582	Body - Oil pump	1
69584	Plunger - Oil	1
69585	Spring - Plunger	1
69586	Boot - Plunger	1
69594	Pivot - Oiler	1
69597	Boot - Control	2
69598	Line - Pulse	1
69600	Nipple - Pulse	2
69629	Boot - Carburetor mix	1
69630	Button - Choke	1
69631	Rod - Choke	1
69632	Rod - Throttle	1
69759	Clamp - 3rd port	1
69767	Gasket - Fuel	1
69781	Spring - Oiler	1
69802	Rod - Oiler	1
69825	Lever Assy - Oil	1
69832	Bumper - Front	1
69890	Plate - Lock	1
69924	Plate - Lock	1
70798	Screw Assy - Diaphragm	4
71690	Plug - Welch	1
83111	Bumper - Lower	2
83114	Diaphragm - Pump	1
83122	Clamp Assy - Upper	1
83126	Strap - Conductor	1
83204	Kit - Air cleaner	1
83223	Spring - Clutch	2
83241	Washer - Starter	2
83479	Screw - Inlet pin	1
83512	Stud - Special	1

SP 60 NUMERICAL ORDER PARTS LIST

Part Number	Description	Units Per Assy
83546	Shaft Assy - Throttle	1
83661	Wire Assy - Stop	1
83724	Cover - Diaphragm	1
83725	Shaft Assy - Choke	1
83729	Valve - Nozzle	1
83748	Shaft Assy - Starter	1
83758	Kit - Repair	1
83760	Cover - Fuel pump	1
83761	Cover - Metering	1
83762	Valve - Throttle	1
83811	Screw - Special	1
83819	Clamp - Lower	1
83820	Spring - Ground	1
84007	Gasket - Muffler	1
84245	Adaptor - Rear	1
84246	Insulator - Rear	1
84272	Bumper	2
84329	Box - Breaker	1
84661	Grommet	1
84700	Cover Assy - Air	1
84798	Clamp - Frame	1
84954	Filter - Air	1
84978	Shield - Sawdust	1
85122	Drum - Starter	1
85152	Baffle - Spark	1
85242	Screw - Fan housing	1
85352	Rod Assy - Connector	1
85358	Condenser	1
85387	Filter - Air	1
85451	Lock Assy - Throttle	1
85505	Washer - Valve	1
85747	Shroud Assy	1
85758	Boot - Sparkplug	1
85792	Housing - Fan	1
85796	Wire Assy - Primary	1
85798	Wire Assy - Ground	1
85850	Cover Assy - Air	1
85898	Mount - Lower	1
85901	Boot - Carburetor mix	1
85916	Carburetor Assy	1
85937	Spring - Safety	1
85979	Needle - Hi speed	1
85980	Shaft Assy - Throttle	1
85981	Spring - Throttle	1
85982	Needle - Idle	1
85997	Duct, Valve & Guard	1
86053	Shield - Starter	1
86068	Flywheel	1
86113	Nut - 3/8-24	1
86169	Screw - Main adj.	1
86170	Screw - Idle adj.	1
86182	Ring - Piston	1
86189	Gasket - Carburetor	1
86273	Screw - Idle adj.	1
86304	Cover - Oil tank	1
86306	Gasket - Cover	1
86402	Valve - Check	1
86453	Plug - Fuel cap	1
86948	Drum & Hub Assy	1
86951	Kit - Sprocket	1
86958	Washer - Shim	1
87152	Insert - Bearing	1
87178	Spring - Trigger	1

Part Number	Description	Units Per Assy
87245	Guard - Hand	1
87246	Coil & Lamination Assy	1
87269	Retainer - Valve	1
87270	Cap Assy - Oil	1
87286	Stop - Reed Valve	1
87663	Body & Dust Assy	1
87672	Cover - Starter	1
87674	Guard - Sawdust	1
87675	Clutch Assy	1
87676	Rotor - Clutch	1
87680	Spring - Starter	1
87682	Valve - Reed	1
87683	Cover & Valve Assy	1
87710	Pin - Piston	1
87713	Piston Assy	1
87716	Set - Piston ring	1
87728	Crankshaft	1
87733	Frame & Grip Assy	1
87735	Plate - Name	1
87737	Cylinder & Crankcase	1
87753	Trigger - Safety	1
87813	Mount - Front	1
87814	Mount - Rear	1
87821	Carburetor Assy	1
87826	Clamp - Pulse line	1
87841	Boot - 3rd port	1
87844	Insulator - Inlet	1
87866	Valve - Compression rel.	1
87883	Grip - Handle	1
87888	Tank & Cover Assy	1
87893	Tank & Cover Assy	1
88586	Guard Assy - Clutch	1
88617	Gasket - Fuel pump	1
88645	Screw - Oiler	1
88731	Kit - Fuel pump cover	1
88740	Gasket - Inlet	1
88796	Trigger - Throttle	1
88808	Breaker Assy	1
88841	Grip - Handle	1
89114	Clamp - Pulse pump	1
89115	Pump Assy - Pulse	1
89322	Cap Assy - Fuel	1
89398	Tank & Cover Assy	1
89400	Insert - Handle	1
89403	Bumper - Lower	2
89642	Gasket - Pulse	1
89672	Protector - Hand	1
89673	Brace - Frame	1
89750	Tank & Cover	1
89869	Carburetor Assy	1
90345	Needle - Idle	1
90348	Orifice - Main	1
90349	Orifice - Main	1
90350	Orifice - Main	1
90351	Orifice - Main	1
100002	Washer - #10	5
100005	Washer - Plain	2
100057	Washer - Lock	1
100071	Ball - .156 dia	1
100080	Washer - Plain	1
100153	Washer - Lock	3
100240	Washer - Lock	2
100251	Nut - Hex 8-32	1

SP 60 NUMERICAL ORDER PARTS LIST

Part Number	Description	Units Per Assy
100298	Nut - Hex 6-32	1
100302	Ball - .125 dia	1
100440	Washer - Plain	3
100955	Nut - Hex lock	1
101056	O-Ring	1
101143	Nut - Hex lock	1
101148	O-Ring	1
101191	Nut - Hex lock	2
101194	Washer - Lock	6
101556	Pin - Roll	1
101563	Screw - Socket 10-24	1
101834	Washer - Special	2
101977	Screw - Fil 1/4-20	1
102067	Nut - Hex lock	1
102130	Screw - Hex 1/4-20	1
102144	Screw - Fil 10-24	1
102388	Screw - Hex 10-24	2
102433	Screw - Hex 10-24	2
102500	Screw - Pan 10-24	2
102523	Washer - 1/4	1
102809	Ball - .093 dia	1
102861	Screw - Hex 1/4-20	2
103672	Screw - Fil 8-32	3
103818	Pin - Roll	1
103879	Key - Woodruff	1
104001	Ring - Seal	1
104357	Bearing - Needle	1
104396	Screw - Pan 10-24	2
104534	Screw - Socket 10-24	1
104950	Screw - Hex 10-24	2
105048	Washer - Flat	1
105245	Screw - Fil 8-32	1
105367	Nut - Hex 10-24	2
105673	Pin - Roll	3
105722	Screw - Fil 1/4-20	1
105976	Washer - #8	1
106104	O-Ring	1

Part Number	Description	Units Per Assy
110106	Washer	1
110127	Screw - Hex 10-24	1
110260	Seal - Oil	1
110264	Washer - Plain	1
110288	Screw - Hex washer	3
110291	Screw - Pan 10-24	1
110330	Bearing - Sprocket	1
110341	Screw - Hex 10-24	1
110346	Screw - Hex 6-32	1
110378	Pin - Roll	1
110386	Screw - Hex 8-32	1
110387	Washer - Wavey	1
110445	Screw - Truss hd	1
110454	Nut - Hex 5/16-24	2
110470	Rivet - Rd	1
110472	Screw - Socket 8-32	2
110529	Screw - Hex 10-24	1
110537	Screw - Fil 8-32	1
110565	Ring - Retaining	1
110566	Screw - Hex 12-24	1
110584	Screw - Pan 8-32	1
110590	Bearing	2
110618	Screw - Hex 8-32	1
110646	Screw - Oval 8-32	3
110679	Screw - Hex 1/4-20	1
110681	Screw - Socket 10-24	1
110703	Nut - Hex 3/8-24	1
110706	Screw - Pan 8-18	1
110713	Screw - Socket 10-24	3
110741	Screw - Pan 10-24	5
110775	Screw - Fil 8-32	1
110807	Screw - Pan 8-32	2
110811	Screw - Pan 8-32	1
110845	Washer - Plain	1
110851	Pin - Dowel	1
110894	Screw - Hex 10-24	2

M McCULLOCH



• MANUFACTURING • SALES • SERVICE •

McCULLOCH CORPORATION

6101 WEST CENTURY BLVD., LOS ANGELES, CALIFORNIA 90045

INTERNATIONAL DIVISIONS:

LOS ANGELES, CALIF., P.O. BOX 45466
 SINGAPORE, 431-432 PEOPLE'S PARK COMPLEX
 SAO PAULO, BRAZIL, CAIXA POSTAL 7658

McCULLOCH OF CANADA LTD.

6338 VISCOUNT ROAD, MALTON, ONTARIO, CANADA

McCULLOCH OF EUROPE, N. V.

GEERDEGEM SCHONENBERG, 299 2800 MECHELEN, BELGIUM

McCULLOCH OF AUSTRALIA PTY., LTD.

P.O. BOX 223, SEVEN HILLS, N.S.W. 2147, AUSTRALIA