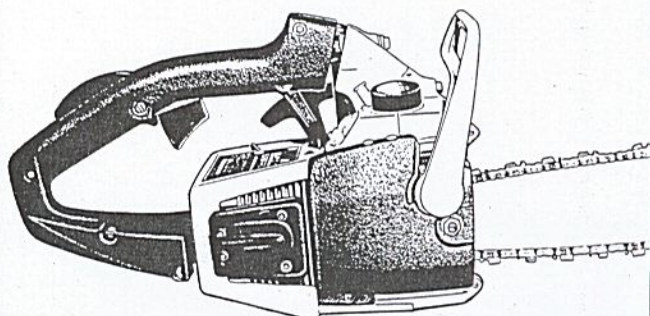


ILLUSTRATED PARTS LIST

MODELS	SERIAL NUMBER PREFIX	MODELS	SERIAL NUMBER PREFIX
600082B	12-, 13-	600082P	12-, 13-
600082E	13-	600082U	12-, 13-
600082K	13-		

Super Pro 40 Chain Saw



Super Pro 40 chain saws are identified by a model number (600082) followed by a suffix letter (B, E, K, P or U) stamped on the identification plate attached to the saw. Suffix letters denote variations in parts or assemblies in the manufacture of the saw.

Part numbers listed in this IPL which have a suffix letter or letters following the description, indicate the part is used only on the model identified by the letter or letters.

Part numbers and descriptions without suffix letter or letters apply to all models of the Super Pro 40 chain saw.

Part numbers which have one or more dots (.) preceding their description may be ordered individually but they are also included in the kit or assembly whose description begins directly above the dot(s).

Part numbers which have changed since the previous printing of the IPL covering these saws are indicated by a dash (-) preceding the new part number.

The policy of McCulloch Corporation is one of continual improvement in design, manufacturing and engineering improvement wherever possible to assure still finer two-cycle power tools. Hence, specifications, equipment, colors, design and manufacturer's suggested list prices are subject to change without notice and McCulloch Corporation reserves the right to make such changes without prior notification or obligation to backfit or supply backfit components for units previously shipped from the factory.

JUNE 1976

- CONTENTS -

	<u>Page</u>
Figure 1. General	2
Figure 2. CHAIN BRAKE Assembly	4
Figure 3. Handle & Frame Assembly ...	4
Figure 4. Starter Assembly	6
Figure 5. Powerhead Assembly	8
Figure 6. Carburetor Assembly	10
Service Specifications	7
Accessories	11



McCULLOCH

© U.S.A. 1976 - McCULLOCH CORPORATION

Printed in U.S.A.

92321

(This IPL supersedes & replaces IPL, P/N 87210R1)

Super Pro 40

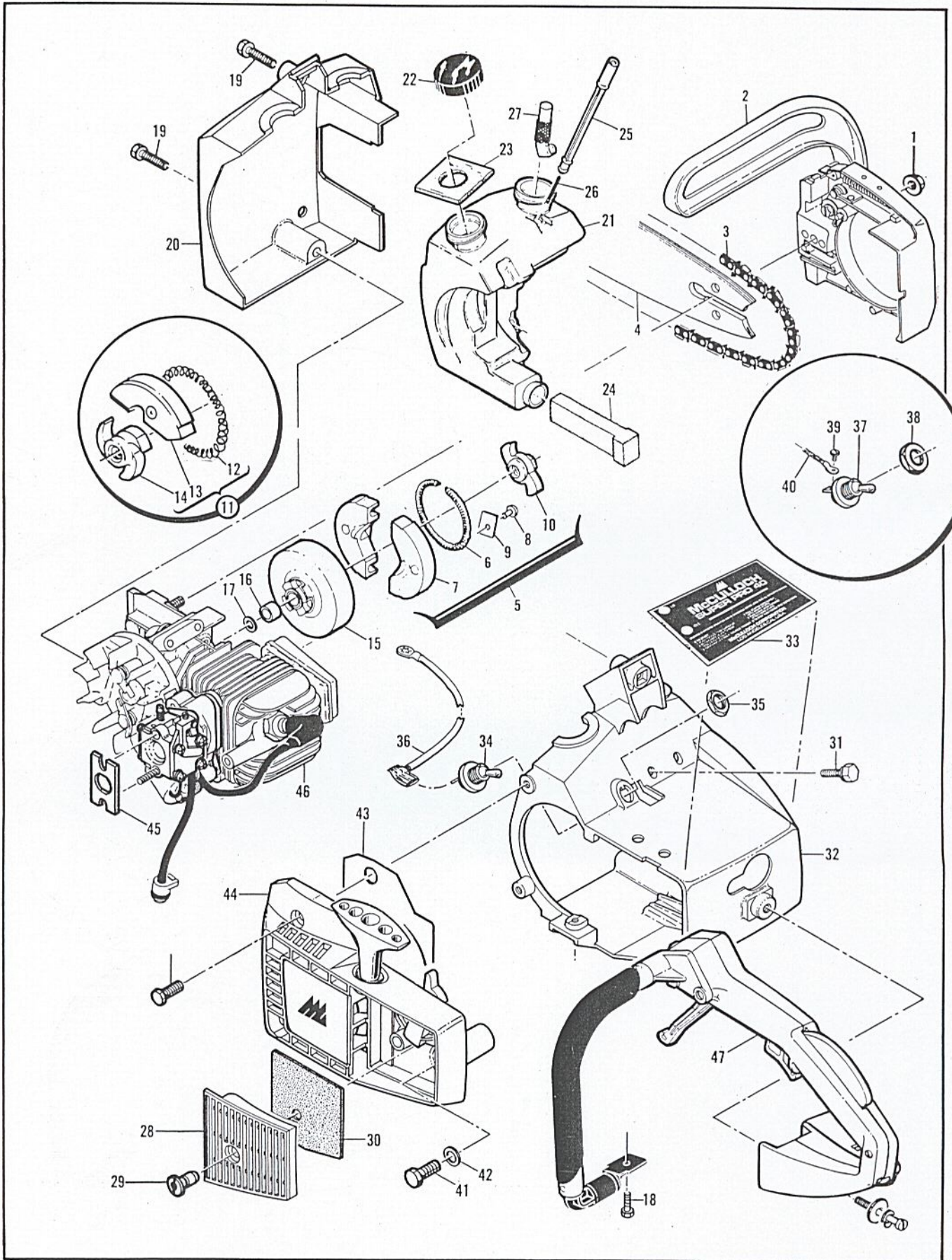


Figure 1. General

Figure 1. General

Item No.	Part Number	Description	Units Per Asy
1	110676	Nut - Hx flanged	1
2		CHAIN BRAKE Asy (Fig 2)	
3		Chain Asy (Below)	
4		Bar - (Below)	
5	-92743	① Clutch Asy	1
6	69358	① . Spring - Clutch	1
7	-92668	① . Kit - Clutch Shoe	2
8	-110957	① . . Rivet	2
9	85064	① . . Plate	2
10	-92721	① . Spider	1
11	83156	② Clutch Asy	1
12	69358	② . Spring - Clutch	1
13	83220	② . Shoe - Clutch	3
14	68778	② . Spider	1
15	85504	③ Drum & Sprocket Asy - .250P	1
(15)	-90150	① Drum & Sprocket Asy - .375P (B)	1
16	67650	③ Bearing - Sprocket	1
(16)	-90153	① Bearing - Sprocket (B)	1
17	67303	Washer - Sprocket (E, K, P, U)	1
18	-110953	Screw - Hx hd 12-24 x 5/8	1
19	110639	Screw - Hx hd 12-24 x 1	2
20	89215	Cover - Fuel & Oil Tank	1
21	91454A	Tank - Fuel (vented)	1
22	91283	. Cap - Fuel (unvented)	2

Item No.	Part Number	Description	Units Per Asy
23	91148	. Seal	1
24	84956	. Pickup - Fuel	1
25	83900A	. Piston - Pulse oiler	1
26	83946	. Spring - Piston	1
27	85557	. Body - Oiler	1
28	89069	Cover - Air cleaner	1
29	89070	Nut - Air cleaner cover	1
30	89072	Filter - Air	1
31	-110953	Screw - Hx hd 12-24 x 5/8	3
32	89051	Shroud	1
33	91681	Plate - Name	1
34	-92649	① Kit - Ignition switch	1
35	104810	① . Nut - Hx 15/32-32	1
36	69344	① Wire Asy - Ignition	1
37	58387	② Switch Asy - Ignition	1
38	104810	② . Nut - Hx 15/32-32	1
39	103934	② . Screw - Rd hd 6-32 x 1/4	1
40	88435	② Wire Asy - Ignition	1
41	-110953	Screw - Hx hd 12-24 x 5/8	3
42	110882	Washer	1
43	88847	Deflector - Air	1
44		Starter Asy (Fig. 4)	
45	89061	Gasket - Starter housing	1
46		Powerhead Asy (Fig. 5)	
47		Handle & Frame Asy (Fig. 3)	

- ① Used on models with serial number prefix 13-.
- ② Used on models with serial number prefix 12-.
- ③ Used on models with serial number prefix 12-; also 13- with model number suffix letter E, K, P, and U.

Bar & Chain Combinations

Part Number	Description	Units Per Asy
90550	Bar - 14" Mini Pro (B)	1
90643N	Chain - MP 370G (B)	1
90772	Bar - 16" Mac 6 (K)	1
88053N	Chain - PM 250 (K)	1

Part Number	Description	Units Per Asy
90771	Bar - 14" Mac 6 (P)	1
90762N	Chain - SM 250 (P)	1
91663	Bar - 14" Mini Pro (U)	1
90762N	Chain - SM 250G (U)	1

Super Pro 40

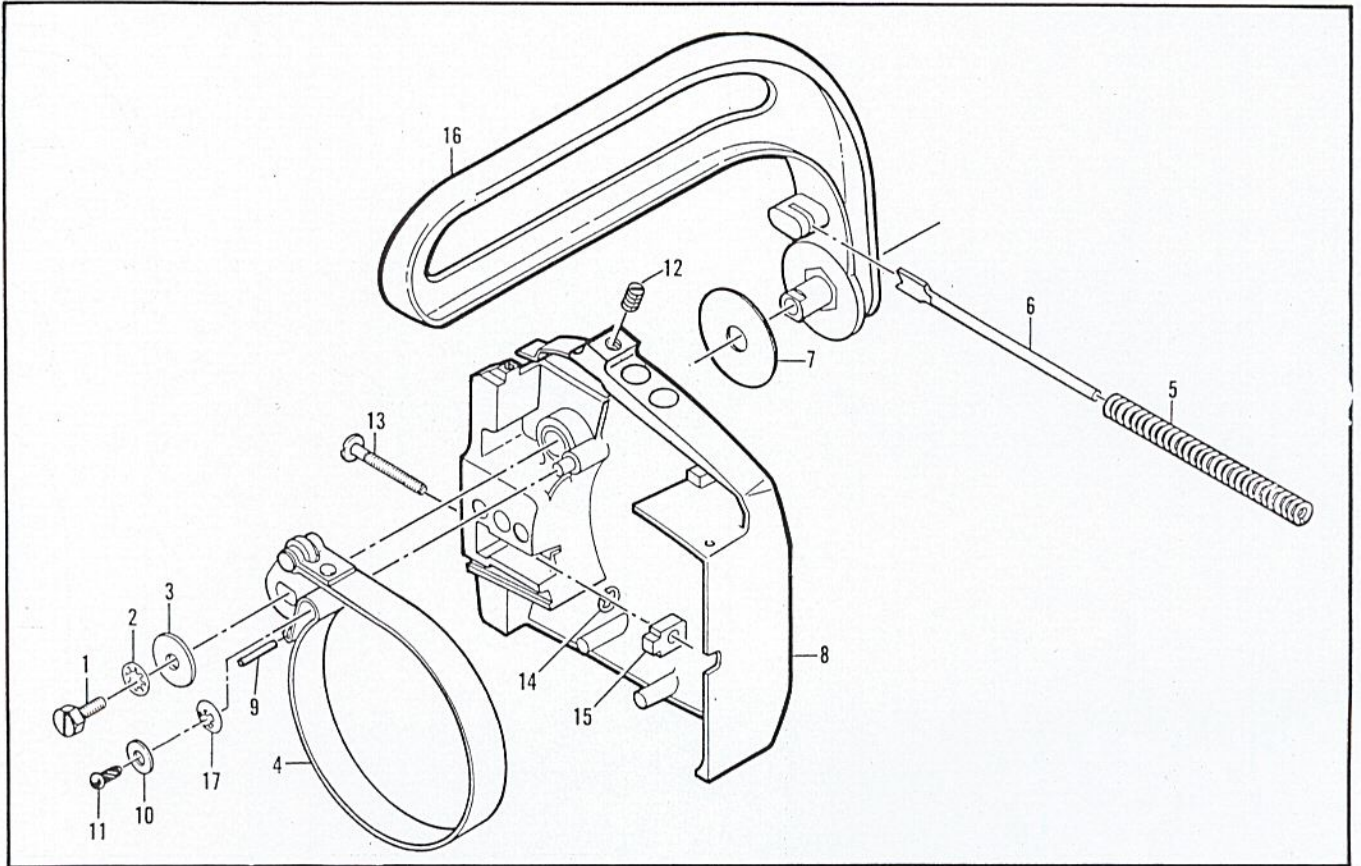


Figure 2. CHAIN BRAKE Assembly

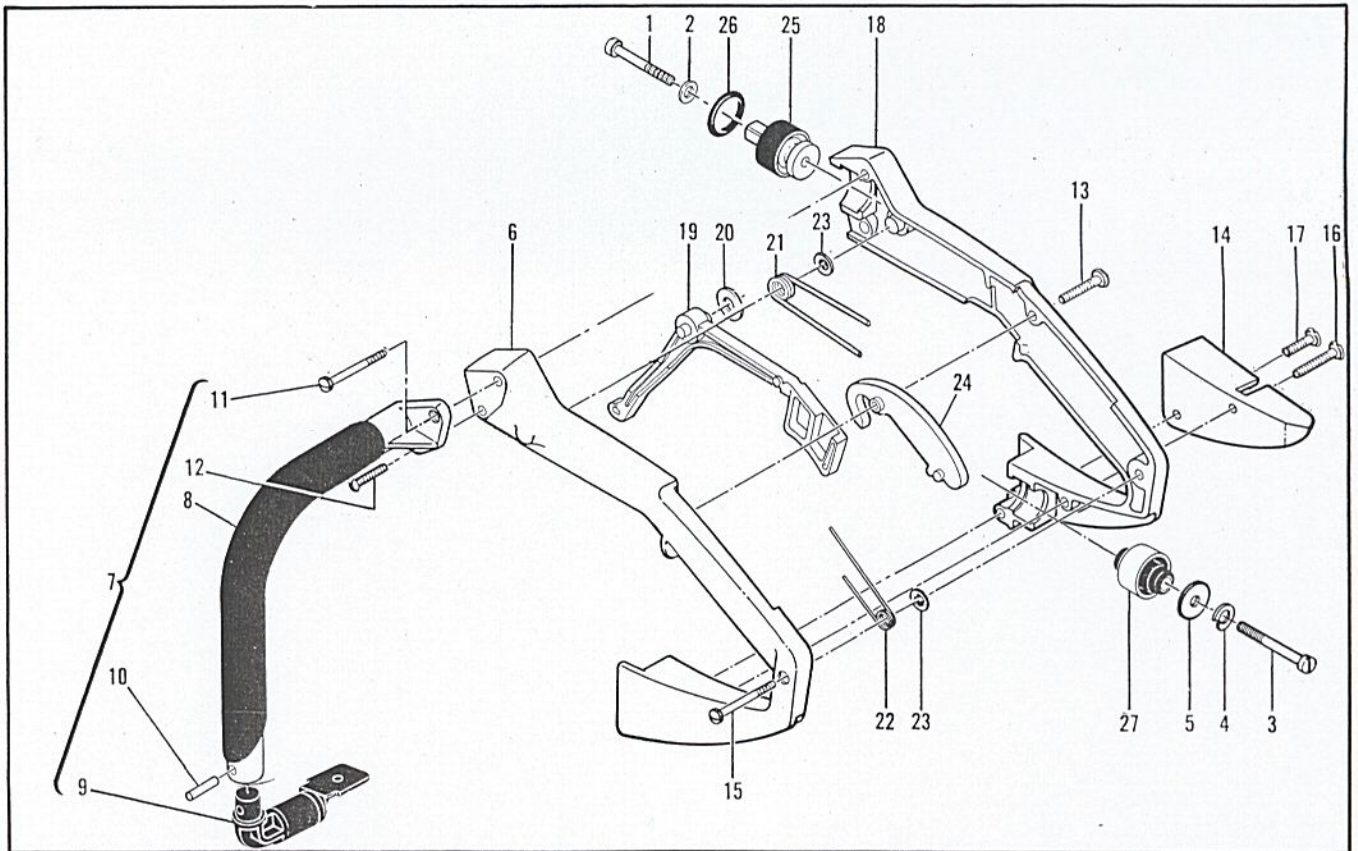


Figure 3. Handle & Frame Assembly

Figure 2. CHAIN BRAKE Assembly

Item No.	Part Number	Description	Units Per Asy
	-90570B	CHAIN BRAKE Asy	
1	102762	. Screw-Hx hd 10-24 x 1/2	1
2	101194	. Washer-Lock #10	1
3	110712	. Washer	1
4	90580	. Band & Lever	1
5	90587A	. Spring-Brake Actuator	1
6	90588	. Guide-Spring	1
7	90967	. Washer-Actuating Lever	1
8	-90571C	. Kit-Housing/Spring	1

Item No.	Part Number	Description	Units Per Asy
9	103047	① . Pin	1
10	100001	① . Washer	1
11	110946	① . Screw Drive-6 x 5/16	1
12	-110955	① . Screw-Set 8-32 x 1/2	1
13	90658	. Screw-Adjusting	1
14	110907	. Ring-Retaining	1
15	84929	. Nut-Bar adjusting	1
16	90576	. Lever-Actuator	1
17	110913	② Fastener-Springtip	1

- ① Used on models with serial number prefix 13-.
- ② Used on models with serial number prefix 12-.

Figure 3. Handle & Frame Assembly

Item No.	Part Number	Description	Units Per Asy
1	103270	Screw-Fil hd 1/4-20 x 1-1/2	1
2	100005	Washer-Plain	1
3	102208	Screw-Fil hd 1/4-20 x 1-3/4	1
4	105043	Washer-Spring lock	1
5	110870	Washer	1
6	91488	Handle-Left hand	1
7	90563A	Frame Asy	1
8	-92206	. Frame/Adaptor Asy	1
9	88445	. Mount Asy	1
10	102270	. Pin	1
11	110934	. Screw-Pan hd 8-32 x 5/8	1
12	110586	. Screw-Pan hd 8-32 x 1-3/4	1

Item No.	Part Number	Description	Units Per Asy
13	110934	Screw-Pan hd 8-32 x 5/8	1
14	90564	Guard-Chain	1
15	110934	Screw-Pan hd 8-32 x 5/8	1
16	110934	Screw-Pan hd 8-32 x 5/8	1
17	110586	Screw-Pan hd 8-32 x 1-3/4	1
18	91487	Handle-Right hand	1
19	91162A	Trigger-Throttle	1
20	-110960	Washer-Wavey	1
21	90606	Spring-Trigger	1
22	90615	Spring-Trigger release	1
23	110936	Retainer-Spring	2
24	91504	Release-Trigger	1
25	91170	Mount	1
26	-105615	"O" Ring	1
27	91171	Mount	1

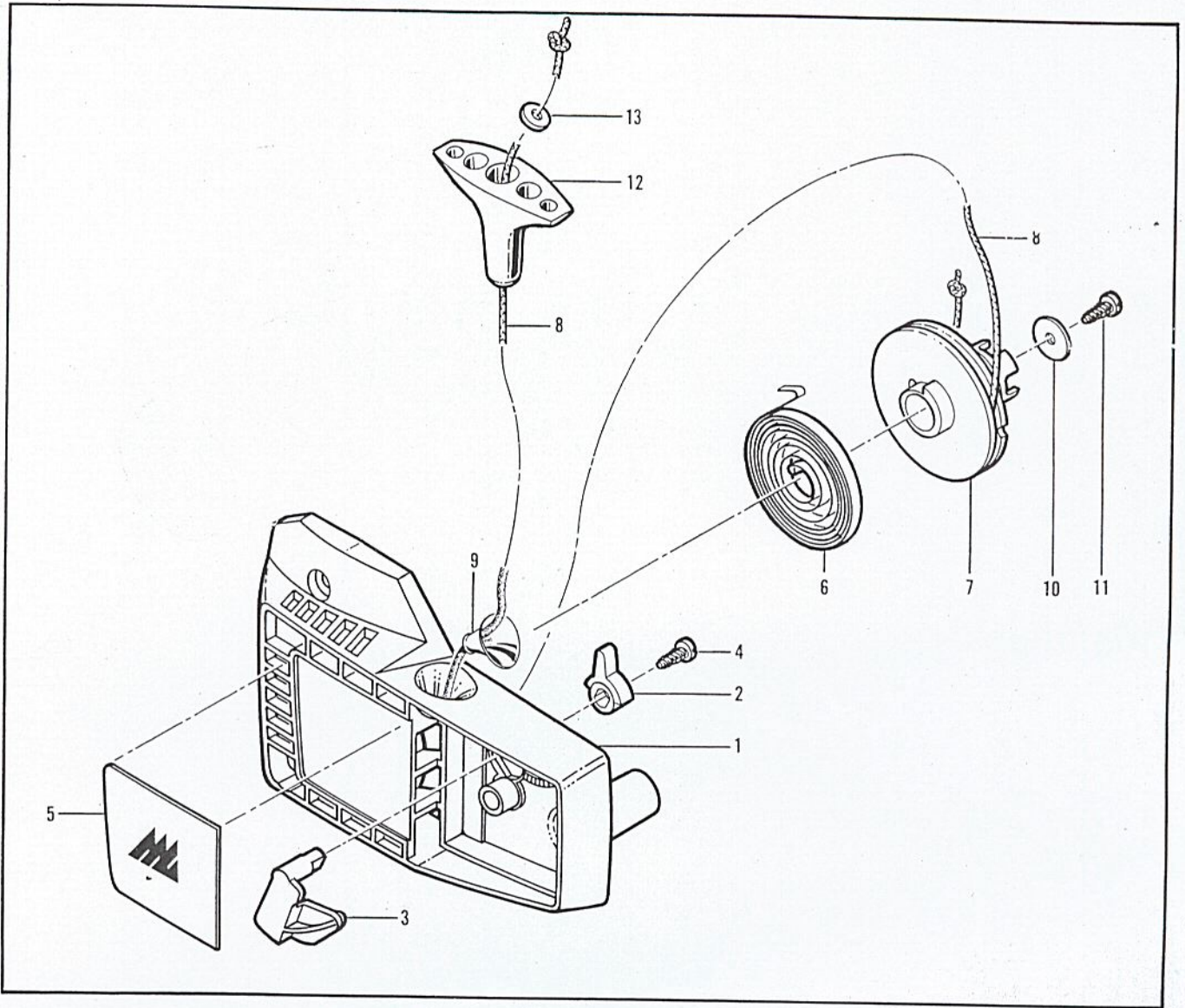


Figure 4. Starter Assembly

Figure 4. Starter Assembly

Item No.	Part Number	Description	Units Per Assy
	-92120	① Starter Asy	1
	88846	② Starter Asy	1
1	89063	. Housing-Starter	1
2	91182	. Lever-Choke	1
3	91183	. Plate-Choke	1
4	110706	. Screw-Pan hd 8-18 x 1/2	1
5	91570	. Plate	1
6	83078	. Spring-Rewind	1
7	-92316	① . Drum/Rope Asy	1

Item No.	Part Number	Description	Units Per Assy
8	83203	① . . Rope-Starter	1
(7)	83876	② . Drum-Starter	1
(8)	83203	② . Rope-Starter	1
9	67571	. Guide-Rope	1
10	68497	. Washer	1
11	110706	. Screw-Pan hd 8-18 x 1/2	1
12	91255	. Kit-Starter handle	1
13	105490	. . Washer	1

- ① Used on models with serial number prefix 13-.
- ② Used on models with serial number prefix 12-.

Service Specifications

Displacement	2.3 cu. in. (40cc)
Clutch Engaging Speed	2900 R.P.M.
Breaker Point Gap	.018"
Timing	26° B. T. D. C.
Spark Plug Gap	.025"

Super Pro 40

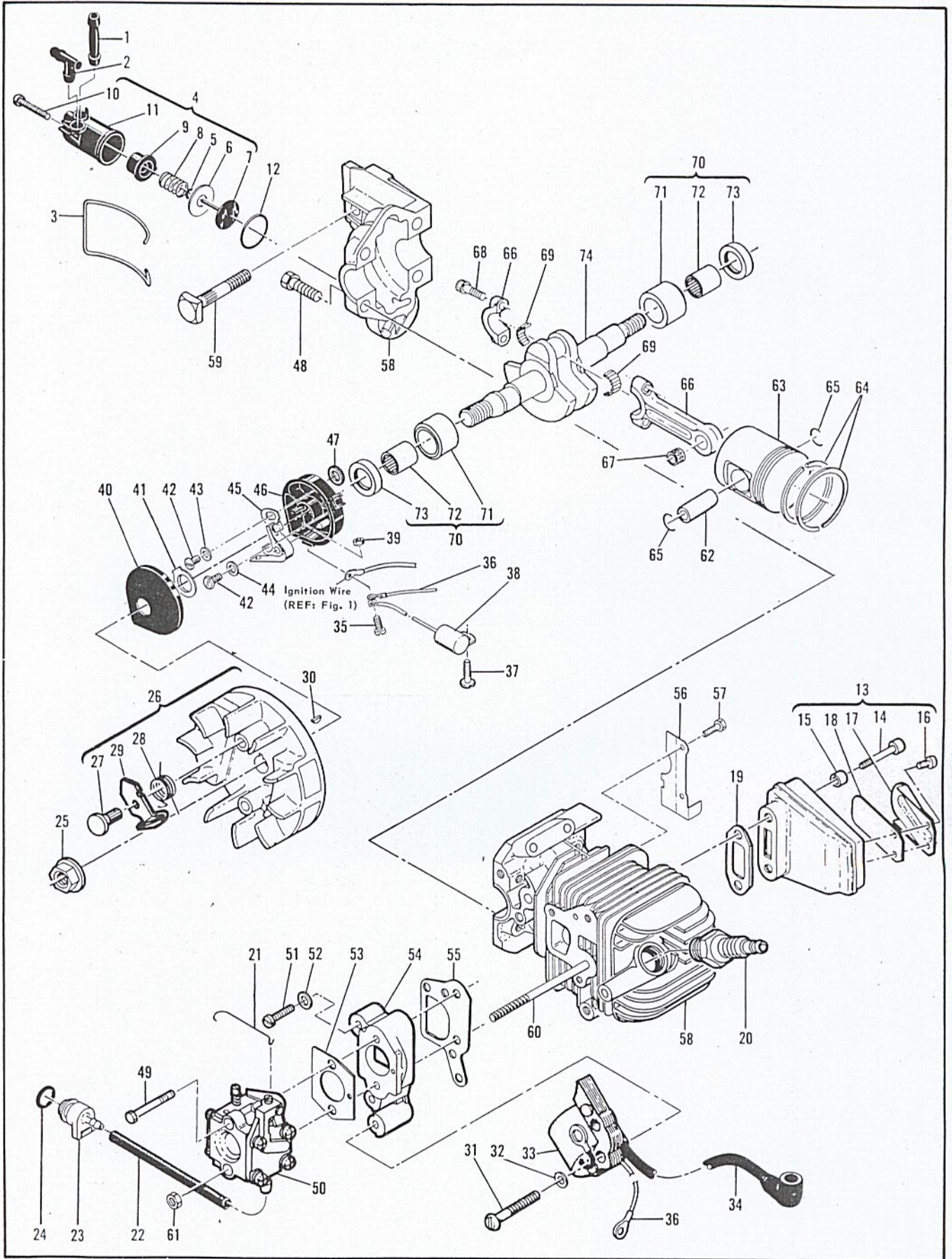


Figure 5. Powerhead Assembly

Figure 5. Powerhead Assembly

Item No.	Part Number	Description	Units Per Asy	Item No.	Part Number	Description	Units Per Asy
1	83898	Connector-Outlet	1	37	110041	Screw-Pan hd 8-32 x 1/2 s/t	1
2	84613	Connector-Pump	1	38	85358	Condenser	1
3	83896	Bail-Mounting	1	39	100035	Nut-Hx 6-32	1
4	83886	Pump Asy-Pulse	1	40	67841	Cover-Breaker box	1
5	105603	. "O" Ring	1	41	69323	Seal-Breaker box	1
6	85769	. Ring-Pump Piston	1	42	110041	Screw - Pan hd	2
7	-92204	. Piston Asy-Pump	1	43	69322	Washer-Special	1
8	83891	. Spring-Pump	1	44	105976	Washer-#8	1
9	83890	. Sleeve-Pump	1	45	88811	Breaker Asy	1
10	110651	. Screw-Adjustment	1	46	-84505A	Kit-Breaker box	1
11	83887	. Body Asy-Pump	1	47	92037	. Washer	1
12	110653	"O" Ring	1	48	110639	Screw-Hx hd 12-24 x 1	4
13	84992	Kit-Reed muffler	1	49	110614	Screw-Hx hd 10-24 x 2-3/8	1
14	110692	. Screw-Skt hd 10-24 x 1-3/8	2	50		Carburetor Asy (Fig 6)	
15	84950	. Nut-Round	2	51	110652	Screw-Pan hd 8-32 x 1-1/8	1
16	110563	. Screw-Skt hd 8-32 x 1/4	2	52	100080	Washer-#8	1
17	-92353	. Stop-Reed	1	53	89057	Gasket-Carburetor	1
18	85258	. Valve-Spark arrestor	1	54	89056	Insulator	1
19	68747	Gasket-Spark arrestor	1	55	89054	Gasket-Insulator	1
20	63432	Spark Plug	1	56	89648	Shield	1
21	89060	Rod-Throttle	1	57	-110674	Screw-Hx hd 10-24 x 1/2 s/t	2
22	89059	Hose-Fuel	1	58	91441	Cylinder & Crankcase Asy	1
23	90660	Adapter-Fuel hose	1	59	83856	. Bolt-Bar mounting	1
24	110908	"O" Ring	1	60	91440	. Stud	1
25*	-110454	① Nut-Hx 5/16-24	1	61	105367	Nut-Hx 10-24	1
(25)	-110931	② Nut-Hx 3/8-24	1	62	88126	Pin-Piston	1
26	-91961	① Flywheel & Pawl Asy	1	63	91704	Piston Asy	1
27	68796	① . Pin-Pawl	2	64	91703	. Ring Set-Piston	1
28	67814	① . Spring-Pawl	2	65	-92023	Ring-Retaining	2
29	-91872	① . Pawl-Starter	2	66	91705	Connecting Rod Asy	1
(26)	69806	② Flywheel & Pawl Asy	1	67	110933	. Bearing-Caged	1
(27)	68796	② . Pin-Pawl	2	68	66853	. Screw-Special	2
(28)	67814	② . Spring-Pawl	2	69	68095	. Roller-Needle (Set of 20)	1
(29)	69103	② . Pawl-Starter	2	70	91566	Sleeve Asy-Bearing	2
30	-102164	① Key-Woodruff	1	71	91422	. Sleeve	2
(30)	100106	② Key-Woodruff	1	72	83859	. Bearing-Needle Seal	2
31	110586	Screw-Pan hd 8-32 x 1-3/4	2	73	66854	. Seal-Oil <i>Brng</i>	2
32	100080	Washer-#8	2	74	-91932	① Crankshaft	1
33	84957	Coil & Lamination Asy	1		86439A	② Crankshaft	1
34	50120	. Wire Asy-Spark plug	1				
35	110364	Screw-Pan hd 6-32 x 5/8	1				
36	69344	Wire Asy-Coil	1				

* Flywheel nut torque should be 170 to 175 pound-inches (196.84 to 202.60 kilogram-centimeters) for nut, P/N 110454.

- ① Used on models with serial number prefix 13-.
- ② Used on models with serial number prefix 12-.

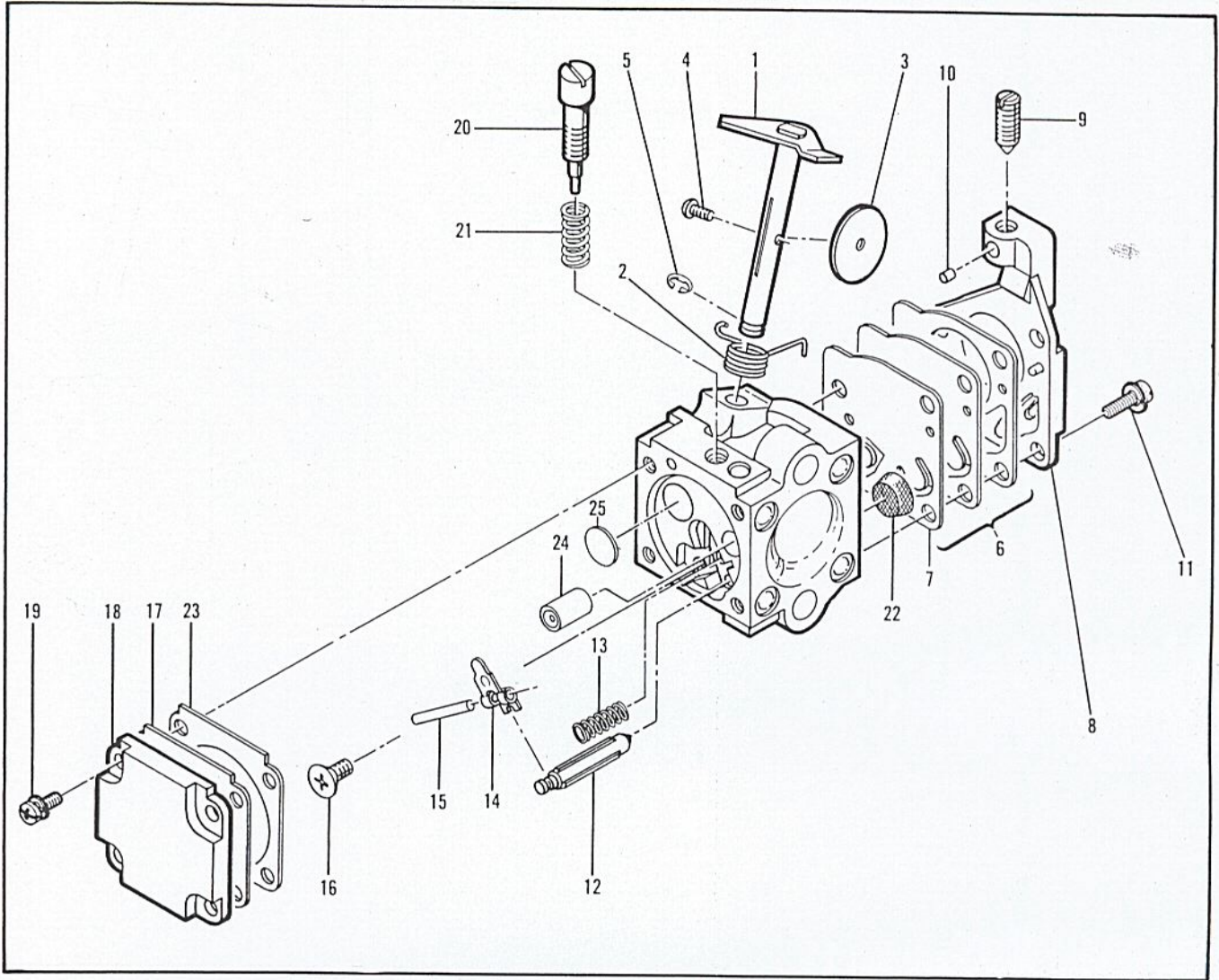


Figure 6. Carburetor Assembly

Figure 6. Carburetor Assembly

Item No.	Part Number	Description	Units Per Asy
	91571	Carburetor Asy	1
1	91801	. Shaft Asy-Throttle	1
2	91802	. Spring-Throttle return	1
3	91803	. Plate-Throttle	1
4	91804	. Screw-Plate (m3)*	1
5	91805	. "E" Ring	1
6	91824	①. Kit-Diaphragm & Gaskets	1
7	92093	. . Diaphragm-Fuel pump	1
8	91806	. Cover-Fuel pump	1
9	91807	. Screw-Idle speed	1
10	91808	. Insert-Friction	1
11	91809	. Screw-Pump cover (m4)*	4
12	91810	①. Needle-Inlet	1
13	91811	①. Spring-Lever	1
14	91812	①. Lever-Inlet needle	1

Item No.	Part Number	Description	Units Per Asy
15	91813	①. Pin-Lever	1
16	91814	. Screw-Lever pin (m3)*	1
17	91815	①. Diaphragm Asy-Metering	1
18	91816	. Cover-Diaphragm	1
19	91817	. Screw-Diaphragm cover (m3)*	4
20	91818	①. Needle-Idle mixture	1
21	91819	①. Spring-Needle	1
22	91820	①. Screen-Filter	1
23	91821	①. Gasket-Metering diaphragm	1
24	92097	. Welch Plug	1
25	91822	①. Orifice-Main fuel	1
	-92751	② Orifice-Main fuel	Alt

* The "m" denotes metric screw size.

① Contained in Repair Kit, P/N 91823.

② Recommended for use above 5,000 ft. altitude.

Accessories

Part Number	Description
85933	Kit-Spark Arrestor
85687	Wrench
88756	Scrench

Part Number	Description
83687	Guide-Timing
90256	Kit-Tune up
91735	Kit-Spike
110928	. Screw-Hx 10-24 x 1/2