

ILLUSTRATED PARTS LIST

MODELS	SERIAL NUMBER PREFIX	MODELS	SERIAL NUMBER PREFIX
600082B	12-	600082U	12-
600082P	12-		

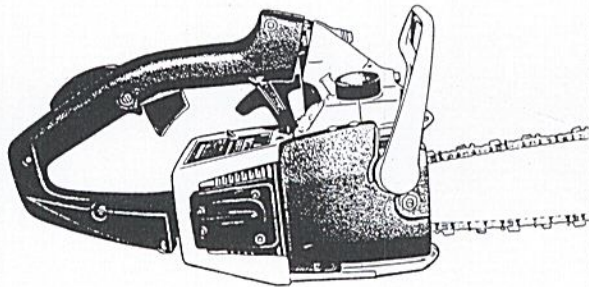
Super Pro 40 chain saws are identified by a model number (600082) followed by a suffix letter (B, P, or U) stamped on the identification plate attached to the saw. Suffix letters denote variations in parts or assemblies in the manufacture of the saw.

Part numbers listed in this IPL which have a suffix letter or letters following the description, indicate the part is used only on the model identified by the letter or letters.

Part numbers and descriptions without suffix letter or letters apply to all models of the Super Pro 40 saw.

The policy of McCulloch Corporation is one of continual improvement in design, manufacturing and engineering advancement wherever possible to assure still finer two-cycle power tools. Hence, specifications, equipment, colors, design and manufacturer's suggested list prices are subject to change without notice and McCulloch Corporation reserves the right to make such changes without prior notification or obligation to backfit or supply backfit components for units previously shipped from the factory.

Super Pro 40 Chain Saw



OCTOBER 1975

- CONTENTS -

	Page
Figure 1. General	2
Figure 2. Powerhead Assembly	4
Figure 3. Chain Brake Assembly	6
Figure 4. Handle & Frame Assy	6
Figure 5. Carburetor Assembly	8
Figure 6. Fan Housing & Starter Assy ..	10
Accessories	9
Service Specifications	11



Super Pro 40

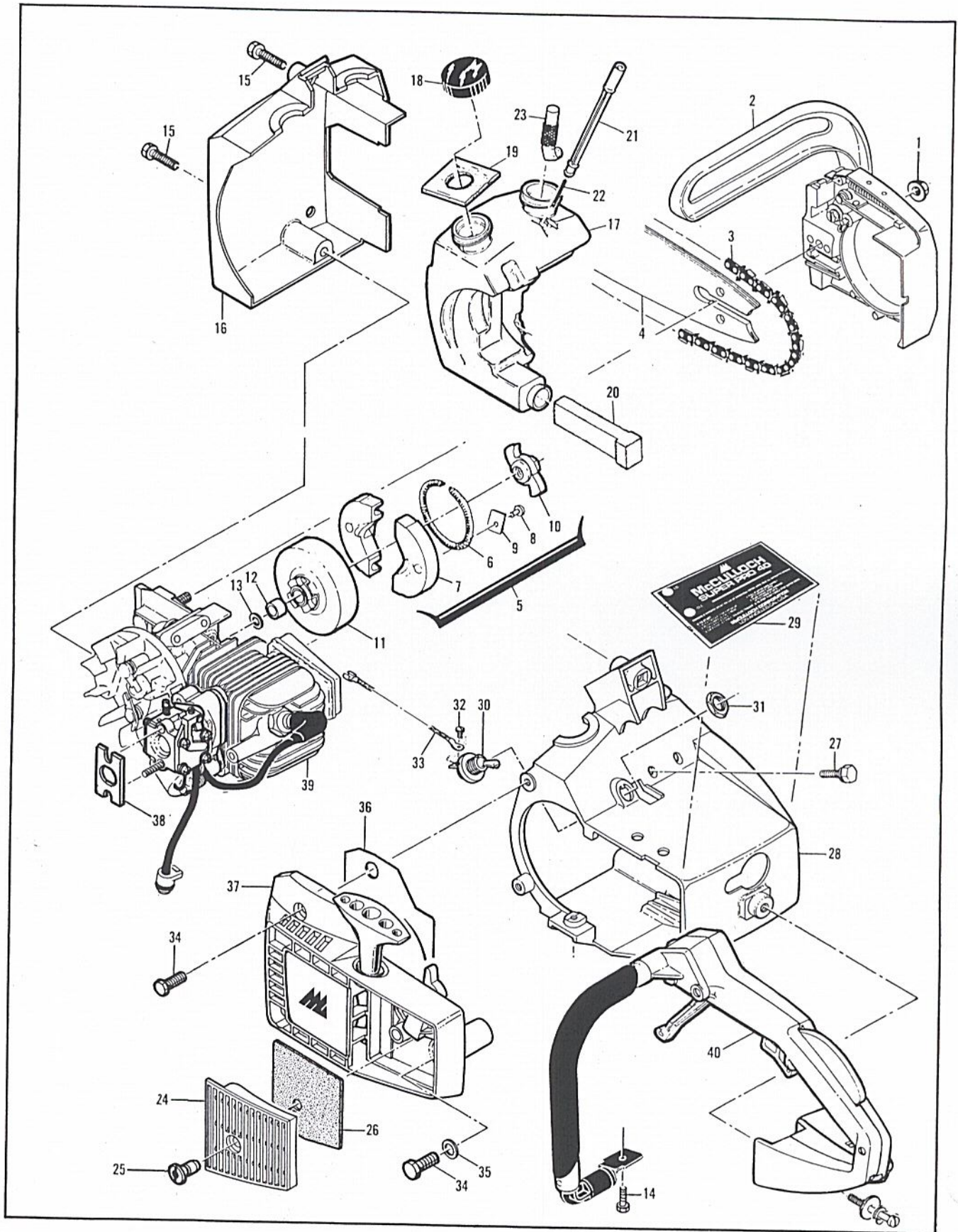


Figure 1. General

Figure 1. General

Item No.	Part Number	Description	Units Per Assy
1	110676	Nut - Hex flanged	1
2		Chain Brake Assy (See Figure 3)	1
3	90762	Chain Assy - SM 250G	1
4	91730	Bar - 14"	1
5	91049	Clutch Assy	1
6	69358	. Spring - Clutch	1
7	91050	. Shoe - Clutch	2
8	110709	. . Rivet	2
9	85064	. . Plate	2
10	85449	. Spider	1
11	85504	Sprocket, Drum Assy	1
12	67650	Bearing - Sprocket	1
13	67303	Washer - Sprocket	1
14	110640	Screw - Hex hd 12-24 x 5/8	1
15	110639	Screw - Hex hd 12-24 x 1	2
16	89215	Cover - Fuel & Oil Tank	1
17	91454A	Tank - Fuel vented	1
18	91283	. Cap - Fuel unvented	2
19	91148	. Seal	1
20	84956	. Pickup - Fuel	1
21	83900A	. Piston - Pulse oiler	1

Item No.	Part Number	Description	Units Per Assy
22	83946	. Spring - Piston	1
23	85557	. Body - Oiler	1
24	89069	Cover - Air cleaner	1
25	89070	Nut - Air cleaner cover	1
26	89072	Filter - Air	1
27	110640	Screw - Hex hd 12-24 x 5/8	3
28	89051	Shroud	1
29	91681	Nameplate	1
30	58387	Switch - Ignition	1
31	104810	. Nut - Switch 15/32-32	1
32	103934	. Screw - Switch Rd hd 6-32 x 1/4	1
33	88435	Wire Assy - Switch	1
34	110640	Screw - Hex hd 12-24 x 5/8	3
35	110882	Washer	1
36	88847	Deflector - Air	1
37		Starter Assy (See Figure 6)	1
38	89061	Gasket - Starter housing	1
39		Power Head Assy (See Figure 2)	1
40		Handle & Frame Assy (See Figure 4)	1

Super Pro 40

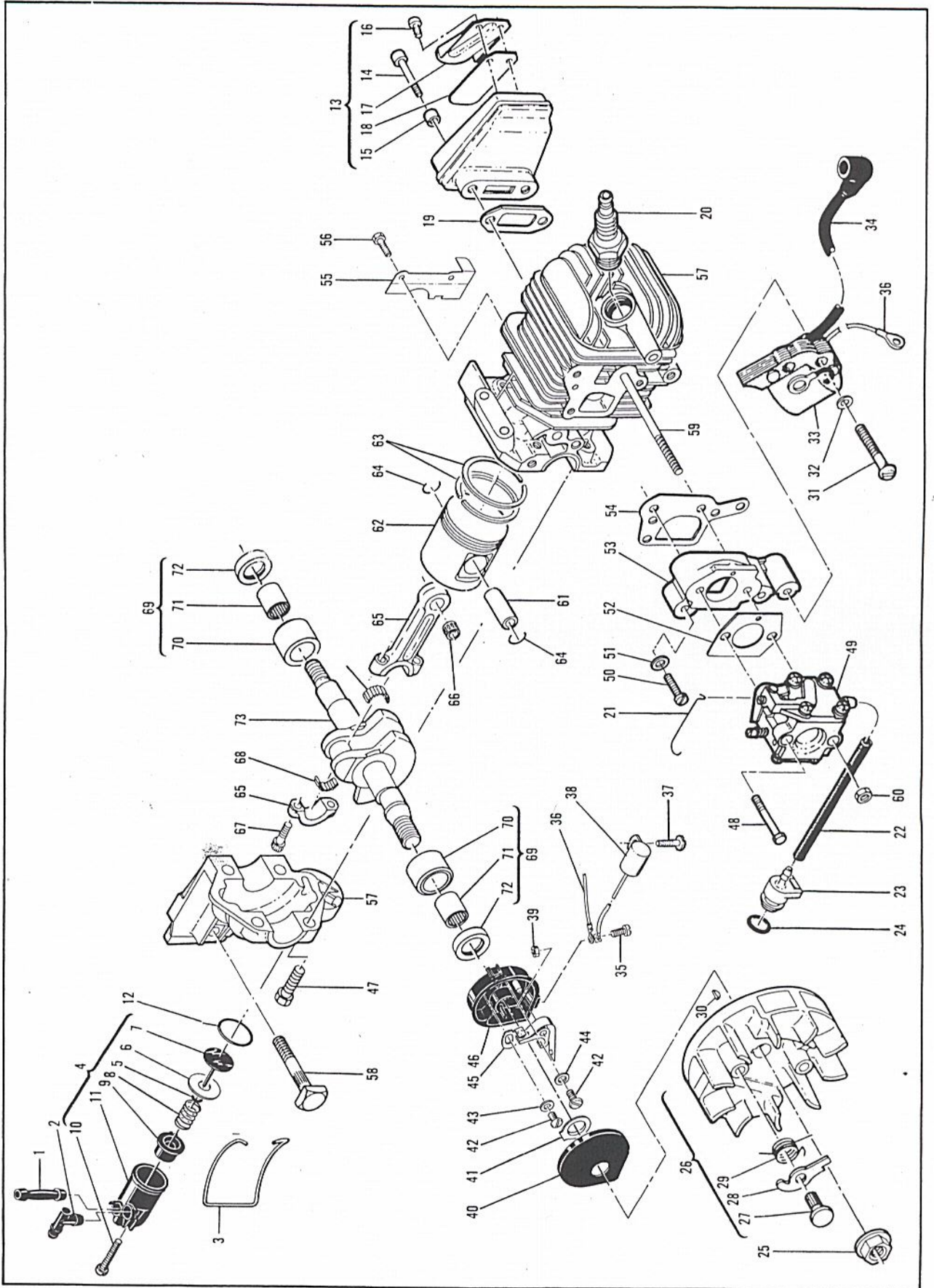


Figure 2. Powerhead Assembly

Figure 2. Powerhead Assembly

Item No.	Part Number	Description	Units Per Assy
1	83898	Connector - Outlet	1
2	84613	Connector - Pump	1
3	83896	Bail - Mounting	1
4	83886	Pump Assy - Pulse	1
5	105603	. "O" Ring	1
6	85769	. Ring - Pump Piston	1
7	85768	. Piston Assy - Pump	1
8	83891	. Spring - Pump	1
9	83890	. Sleeve - Pump	1
10	110651	Screw - Adjustment	1
11	83887	. Body Assy - Pump	1
12	110653	"O" Ring	1
13	84992	Kit - Reed muffler	1
14	110692	. Screw - Socket hd 10-24 x 1-3.8	2
15	84950	. Nut - Round	2
16	110563	. Screw - Skt hd 8-32 x 1/4	2
17	84780	. Stop - Reed	1
18	85258	. Valve - Spark arrestor	1
19	68747	Gasket - Spark arrestor	1
20	63432	Spark Plug - AC CS 42T	1
21	89060	Rod - Throttle	1
22	89059	Hose - Fuel	1
23	90660	Adapter - Fuel hose	1
24	110908	"O" Ring	1
25	110931	Nut - Hex 3/8-24	1
26	69806	Flywheel & Pawl Assy	1
27	68796	. Pin - Pawl	2
28	69103	. Pawl - Starter	2
29	67814	. Spring - Pawl	2
30	100106	Key - Woodruff	1
31	110586	Screw - Pan hd 8-32 x 1-3/4	2
32	100080	Washer - #8	2
33	84957	Coil & Lamination Assy	1
34	50120	. Wire Assy - Spark plug	1
35	110364	Screw - Pan hd 6-32 x 5/8	1
36	69344	Wire Assy - Coil	1
37	110041	Screw - Pan hd 8-32 x 1/2 s/t	1
38	85358	Condenser	1

Item No.	Part Number	Description	Units Per Assy
39	100035	Nut - Hex 6-32	1
40	67841	Cover - Breaker box	1
41	69323	Seal - Breaker box	1
42	110041	Screw - Pan hd	2
43	69322	Washer - Special	1
44	105976	Washer - #8	1
45	88811	Breaker Assy	1
46	84505	Box - Breaker	1
47	110639	Screw - Hex hd 12-24 x 1	4
48	110614	Screw - Hex hd 10-24 x 2-3/8	1
49		Carburetor Assy (See Figure 5)	1
50	110652	Screw - Pan hd 8-32 x 1-1/8	1
51	100080	Washer - #8	1
52	89057	Gasket - Carburetor	1
53	89056	Insulator	1
54	89054	Gasket - Insulator	1
55	89648	Shield	1
56	110746	Screw - Hex hd 10-24 x 1/2 s/t	2
57	91441	Cylinder & Crankcase Assy	1
58	83856	. Bolt - Bar mounting	1
59	91440	. Stud	1
60	105367	Nut - Hex 10-24	1
61	88126	Pin - Piston	1
62	91704	Piston Assy	1
63	91703	. Ring Set - Piston	1
64	88125	Ring - Retaining	2
65	91705	Connecting Rod Assy	1
66	110933	. Bearing - Caged	1
67	66853	. Screw - Special	2
68	68095	. Roller - Needle (Set of 20)	1
69	91566	Sleeve Assy - Bearing	2
70	91422	. Sleeve	2
71	83859	. Bearing - Needle Seal	2
72	66854	. Seal - Oil <i>Bag</i>	2
73	86439A	Crankshaft	1

Super Pro 40

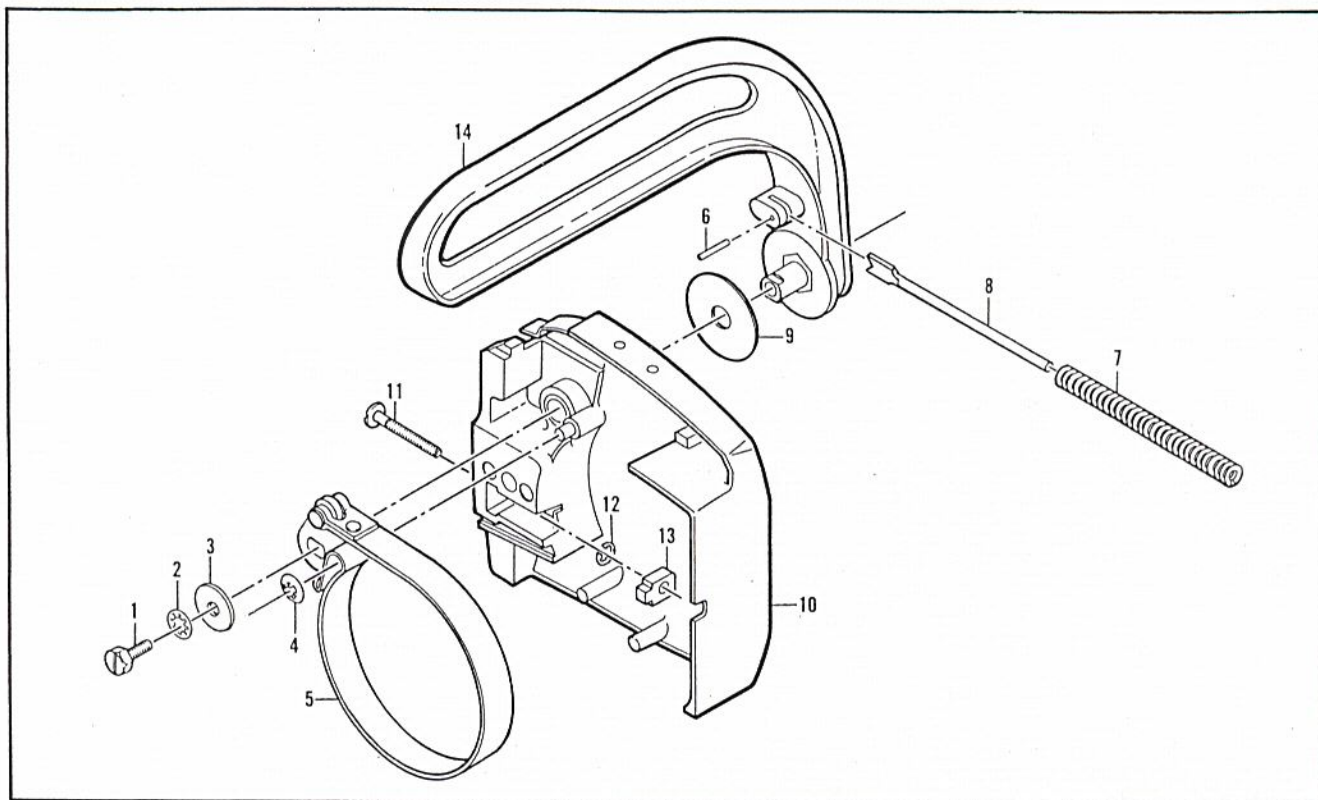


Figure 3. Chain Brake Assembly

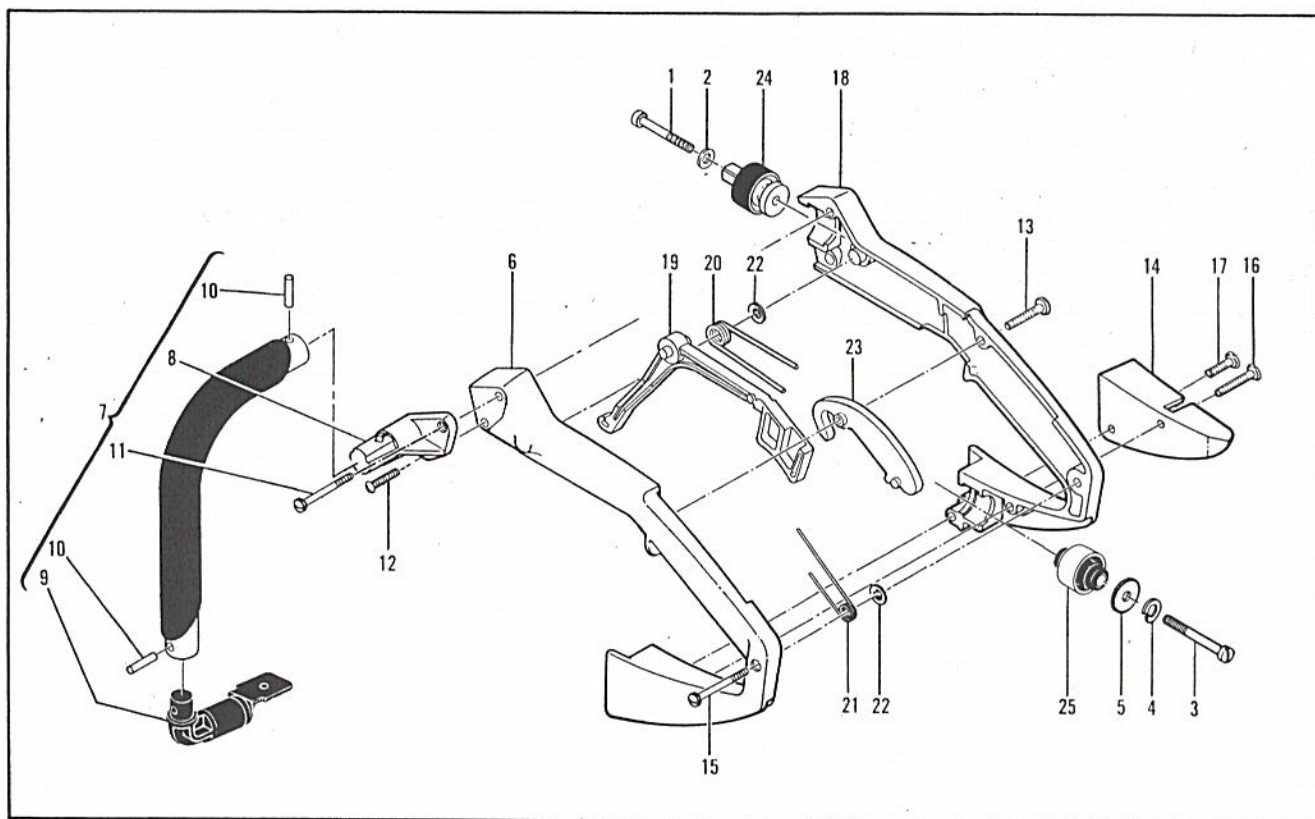


Figure 4. Handle & Frame Assembly

Figure 3. Chain Brake Assembly

Item No.	Part Number	Description	Units Per Assy
1	90570A	Chain Brake Assy	1
	102762	. Screw - Hex hd 10-24 x 1/2	1
2	101194	. Washer - Lock #10	1
3	110712	. Washer -	1
4	110913	. Fastener - Springtip	1
5	90580	. Band & Lever Assy	1
6	104245	. Pin	1

Item No.	Part Number	Description	Units Per Assy
7	90587A	. Spring - Brake actuator	1
8	90588	. Guide - Spring	1
9	90967	. Washer - Actuating lever	1
10	90571A	. . Housing & Spring Assy	1
11	90658	. . Screw - Adjusting	1
12	110907	. . Ring - Retaining	1
13	84929	. . Nut - Bar adjusting	1
14	90576	. Lever - Actuator	1

Figure 4. Handle & Frame Assembly

Item No.	Part Number	Description	Units Per Assy
1	103270	Screw - Fil hd 1/4-20 x 1-1/2	1
2	100005	Washer - Plain	1
3	102208	Screw - Fil hd 1/4-20 x 1-3/4	1
4	105043	Washer - Spring lock	1
5	110870	Washer	1
6	91488	Handle - Left hand	1
7	90563A	Frame Assy	1
8	91490	. Mount Assy	1
9	88445	. Mount Assy	1
10	102270	. Pin	2
11	110934	. Screw - Pan hd 8-32 x 5/8	1
12	110586	. Screw - Pan hd 8-32 x 1-3/4	1

Item No.	Part Number	Description	Units Per Assy
13	110934	Screw - Pn hd 8-32 x 5/8	1
14	90564	Guard - Chain	1
15	110934	Screw - Pn hd 8-32 x 5/8	1
16	110934	Screw - Pn hd 8-32 x 5/8	1
17	110586	Screw - Pn hd 8-32 x 1-3/4	1
18	91487	Handle - Right hand	1
19	91162A	Trigger	1
20	90606	Spring - Trigger	1
21	90615	Spring - Trigger release	1
22	110936	Retainer - Spring	2
23	91504	Release - Trigger	1
24	91170	Mount	1
25	91171	Mount	1

Figure 5. Carburetor Assembly

Item No.	Part Number	Description	Units Per Assy
	91571	Carburetor Assy	1
1	91801	. Shaft Assy - Throttle	1
2	91802	. Spring - Throttle return	1
3	91803	. Plate - Throttle	1
4	91804	. Screw - Plate (m3)	1
5	91805	. "E" Ring	1
6	*91824	. Kit - Diaphragm & Gaskets Fuel Pump	1
7	**92093	. . Diaphragm - Fuel pump	1
8	91806	. Cover - Fuel pump	1
9	91807	. Screw - Idle speed	1
10	91808	. Insert - Friction	1
11	91809	. Screw - Pump cover (m4)	4
12	*91810	. Needle - Inlet	1

Item No.	Part Number	Description	Units Per Assy
13	*91811	. Spring - Lever	1
14	*91812	. Lever - Inlet needle	1
15	*91813	. Pin - Lever	1
16	91814	. Screw - Lever pin (m3)	1
17	*91815	. Diaphragm Assy - Metering	1
18	91816	. Cover - Diaphragm	1
19	91817	. Screw - Diaphragm cover (m3)	4
20	*91818	. Needle - Idle mixture	1
21	*91819	. Spring - Needle	1
22	*91820	. Screen - Filter	1
23	*91821	. Gasket - Metering diaphragm	1
24	*91822	. Orifice - Main fuel	1
25	92097	. Welch Plug	1

*Contained in Repair Kit, P/N 91823. ✕
 **Contained in Kit, P/N 91824.
 m - denotes metric screw size.

Accessories

Part Number	Description
85933	Kit - Spark Arrestor
85687	Wrench
88756	Scrench

Part Number	Description
83687	Guide - Timing
90256	Kit - Tune up
91735	Kit - Spike

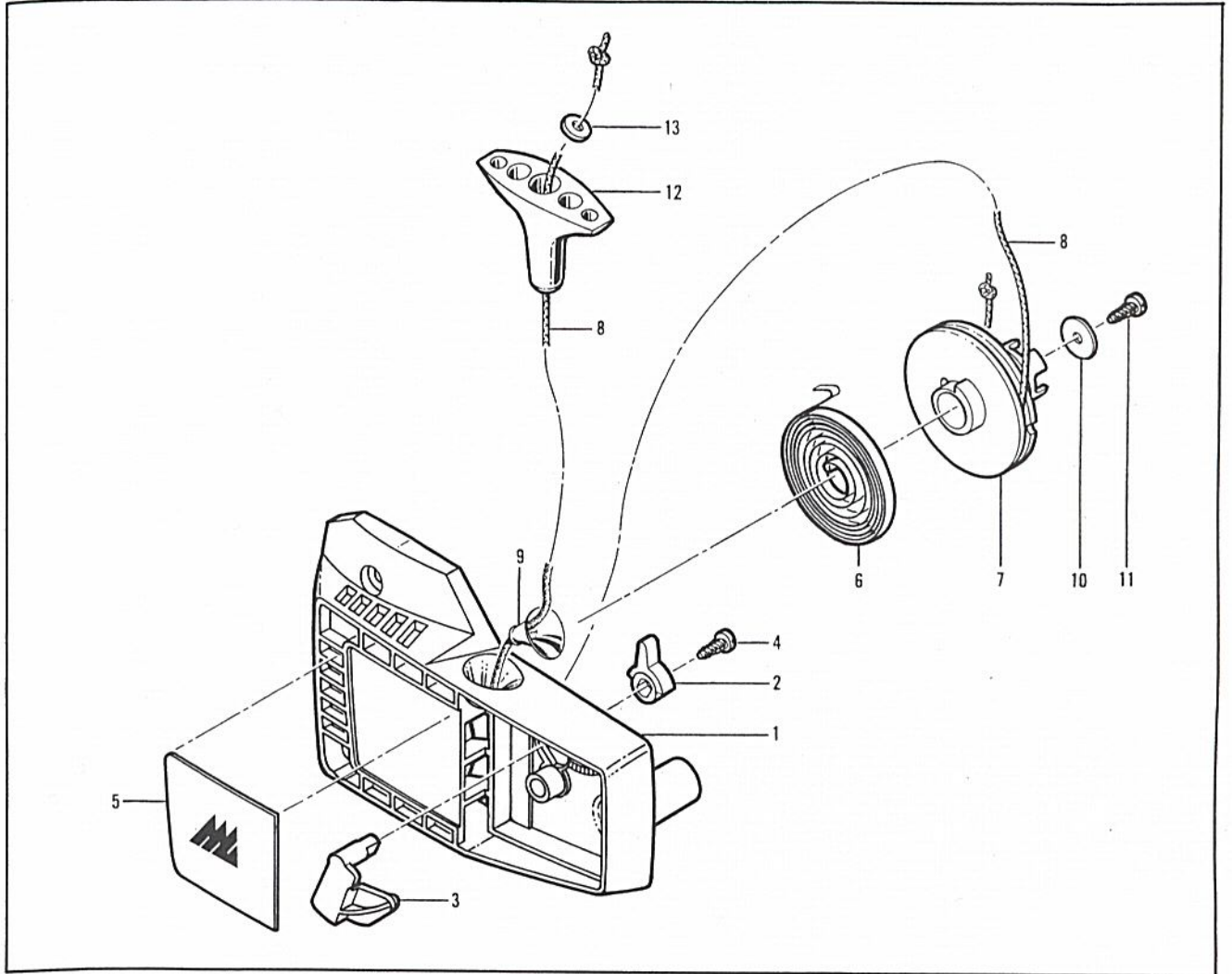


Figure 6. Fan Housing & Starter Assemblies

Figure 6. Fan Housing & Starter Assy.

Item No.	Part Number	Description	Units Per Assy
	88846	Starter Assy	1
1	89063	. Housing - Starter	1
2	91182	. Lever - Choke	1
3	91183	. Plate - Choke	1
4	110706	. Screw - Pan hd 8-18 x 1/2	1
5	91570	. Plate	1
6	83078	. Spring - Rewind	1

Item No.	Part Number	Description	Units Per Assy
7	83876	. Drum - Starter	1
8	83203	. Rope - Starter	1
9	67571	. Guide - Rope	1
10	68497	. Washer	1
11	110706	. Screw - Pan hd 8-18 x 1/2	1
12	91255	. Kit - Starter handle	1
13	* 105490	. . Washer	1

* Contained in Kit, P/N 91255.

Service Specifications

Displacement	2.3 cu. in. (40cc)
Clutch Engaging Speed	2900 R.P.M.
Breaker Point Gap018"
Timing	26 B.T.D.C.
Spark Plug	(Standard) AC --CS 42T Gap .025"
 (Colder) AC - CS 41T