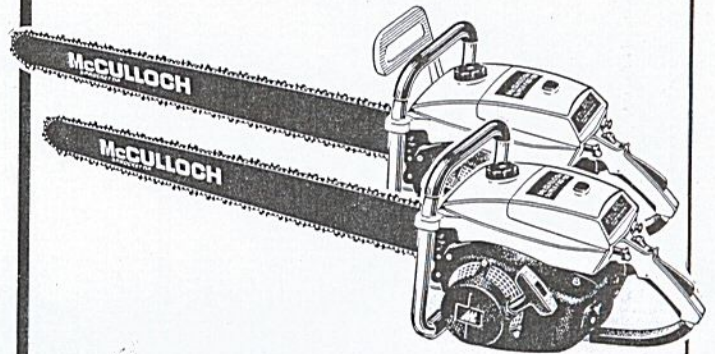


# ILLUSTRATED PARTS LIST

MODELS	SERIAL NUMBER PREFIX	MODELS	SERIAL NUMBER PREFIX
600076A	11-, 12- 13-, 14-, 15-	600076D	11-, 12- 13-, 14-, 15-
600076B	11-, 12- 13-, 14-, 15-	600076	10-, 11-

## Super Pro 125C Chain Saw



Super Pro 125C Saws are identified by a model number (600076) followed by a suffix letter (A, B, or D) stamped on the identification plate attached to the saw. Suffix letters denote variations in parts or assemblies in the manufacture of the saw.

Part numbers listed in this IPL which have a suffix letter or letters following the description, indicate the part is used only on the model(s) identified by the letter or letters.

Part numbers and descriptions without suffix letter or letters apply to all models of the Super Pro 125C chain saw.

Part numbers which have one or more dots (.) preceding their description may be ordered individually but they are also included in the kit or assembly whose description begins directly above the dot(s).

Part numbers which have changed since the previous printing of the IPL covering these saws, are indicated by a dash (-) preceding the new part number.

The policy of McCulloch Corporation is one of continual improvement in design, manufacturing and engineering advancement wherever possible to assure still finer two-cycle power tools. Hence, specifications, equipment, colors, design and manufacturer's suggested list prices are subject to change without notice and McCulloch Corporation reserves the right to make such changes without prior notification or obligation to backfit or supply backfit components for units previously shipped from the factory.

JULY 1976

### - CONTENTS -

	<u>Page</u>
Figure 1. General .....	2
Figure 2. Clutch Guard Assembly ....	4
Figure 3. CHAIN BRAKE Assembly ...	4
Figure 4. Fuel Tank Assembly .....	6
Figure 5. Fan Housing & Starter Asys .	8
Figure 6. Carburetor Assembly .....	8
Figure 7. Oiler Tank & Pump Asys ...	10
Figure 8. Crankcase Cover & Ignition Assemblies .....	12
Figure 9. Powerhead & Shroud Asys ..	14
Service Specifications .....	13
Accessories .....	15



# SuperPro 125C

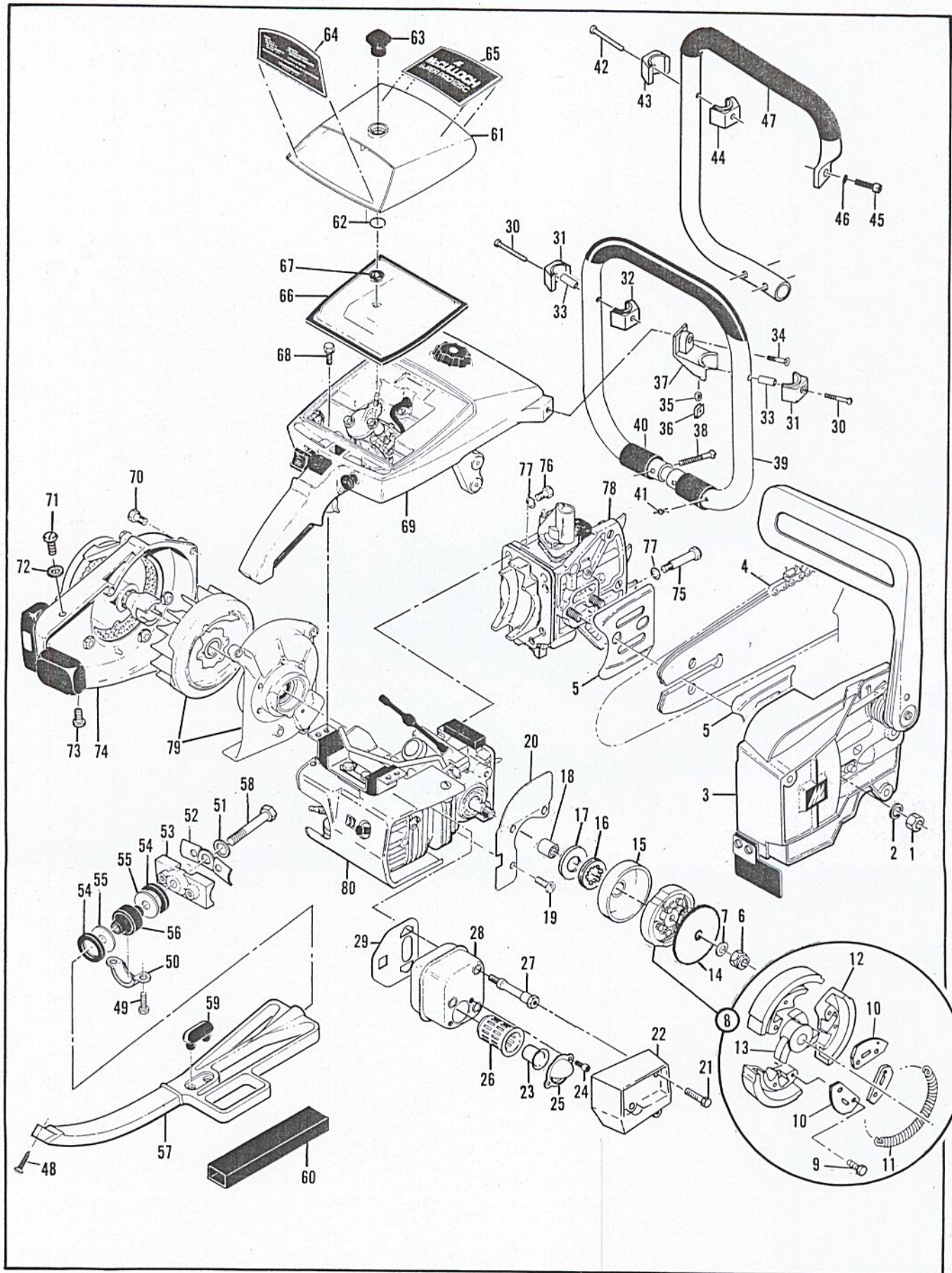


Figure 1. General

Figure 1. General

Item No.	Part Number	Description	Units Per Asy.	Item No.	Part Number	Description	Units Per Asy.
1	110625	Nut - Hx 3/8-24	2	42	110605	Screw - Oval hd 10-24x2(B)	1
2	84623	Washer - Special	2	43	69994	Collar - Frame (B)	1
3		① Clutch Guard Asy (Fig 2)		44	69995	Collar - Frame (B)	1
(3)		② CHAIN BRAKE Asy (Fig 3)		45	110714	Screw - Skt hd 10-24 x 3/4 (B)	1
4		Bar and Chain	1	46	24236	Washer - Special (B)	1
5	64935	Plate - Bar Ptotor	2	47	-86106A	Frame & Grip Asy (B)	1
6	86113	Nut - Hx 3/8-24 (LH)	1	48	101986	Screw - Oval hd 10-24x1	1
7	100006	③ Washer - 3/8	1	49	104950	Screw - Hx hd 10-24 x 5/8	2
8	88820	Clutch Asy	1	50	83819	Clamp - Lower mount	1
9	110850	. Screw - Hx hd 8-32 x 1/2	6	51	100004	Washer - 1/4	1
10	86409	. Plate Asy - Retainer	3	52	85581	Plate - Lock	1
11	88735	. Spring - Clutch	1	53	85220	Bracket - Lower mount	1
12	88817	. Shoe - Clutch	3	54	84661	Grommet	2
13	86112	. Rotor - Clutch	1	55	110845	Washer - Grommet	2
14	91055	Plate - Clutch Protector	1	56	85898	Mount - Lower	1
15	90358	Kit - Drum/Spkt/Washer	1	57	86302	Kit - Handle brace	1
16	86342	. Sprocket - 7T .404P	1	58	86301	. Bolt - Handle brace	1
17	86366	. Washer - Sprocket	1	59	69883	Bumper - Brace	1
18	90360	Bearing - Sprocket	1	60	85651	Sleeve - Brace	1
19	104133	Screw - Pan hd 1/4-20 x 5/8 (SEMS)	3	61	-85092A	Cover Asy - Air cleaner	1
20	-69464B	Jacket - Cylinder	1	62	110565	. Ring - Retaining	1
21	110717	Screw - Hx hd 10-32 x 3/4	3	63	68529	. Knob - Cover	1
22	85459	Guard - Muffler	1	64	91519	Plate - Instructions	1
23	90716	Valve - Muffler	1	65	91518	Plate - Name	1
	85388	Kit - Muffler	1	66	69100	Filter - Air	1
24	110664	. Screw - Skt hd 10-24 x 3/8	2	67	68528	. Grommet - Filter	1
25	84203	. Deflector	1	68	104950	Screw - Hx hd 10-24 x 5/8 (SEMS)	4
26	84690	. Baffle - Muffler	1	69		Fuel Tank Asy (Fig 4)	
27	85121	. Screw - Shoulder	3	70	110910	Screw - Hx hd 10-24 x 1-3/8 (SEMS)	3
28	85117	. Muffler Asy	1	71	104950	Screw - Hx hd 10-24 x 5/8 (SEMS)	1
29	89224	. Gasket - Muffler	1	72	100002	Washer - #10	1
30	110605	Screw - Oval hd 10-24 x 2	2	73	102500	Screw - Pan hd 10-24 x 1/2	1
31	69994	Collar - Frame (A, D)	2	74		Fan Housing & Starter Asy (Fig 5)	
32	69995	④ Collar - Frame (A, D)	1 or 2	75	102127	Screw - Hx hd 1/4-20 x 3-1/4	2
33	69524	Bushing - Frame (A, D)	2	76	103258	Screw - Hx hd 1/4-20 x 1-1/8	2
34	101986	② Screw - Oval hd 10-24 x 1 (A, D)	1	77	100005	Washer - 1/4	4
35	101326	② Nut - Hx 10-24 (A, D)	1	78		Oiler Tank & Pump Asys (Fig 7)	
36	28053	② Retainer - Nut	1	79		Crankcase Cover & Ignition Asy (Fig 8)	
37	91621	② Collar - Frame (A, D)	1	80		Powerhead & Shroud Asys (Fig 9)	
38	110606	Screw - Oval hd 10-24 x 1-1/4 (A, D)	2				
39	69468	① Frame & Grip Asy - (A,D)	1				
(39)	-91624A	② Frame & Grip Asy - (A,D)	1				
40	69885	Protector - Frame (A, D)	2				
41	84795	Rivet - Stop (A,D)	2				

- ① Used on models without CHAIN BRAKE.
- ② Used on models with CHAIN BRAKE.
- ③ Used on models with serial number prefix 10-.
- ④ Models with CHAIN BRAKE use 1 unit per asy. Models without CHAIN BRAKE use 2 units per asy; 1 unit replaces item #37.

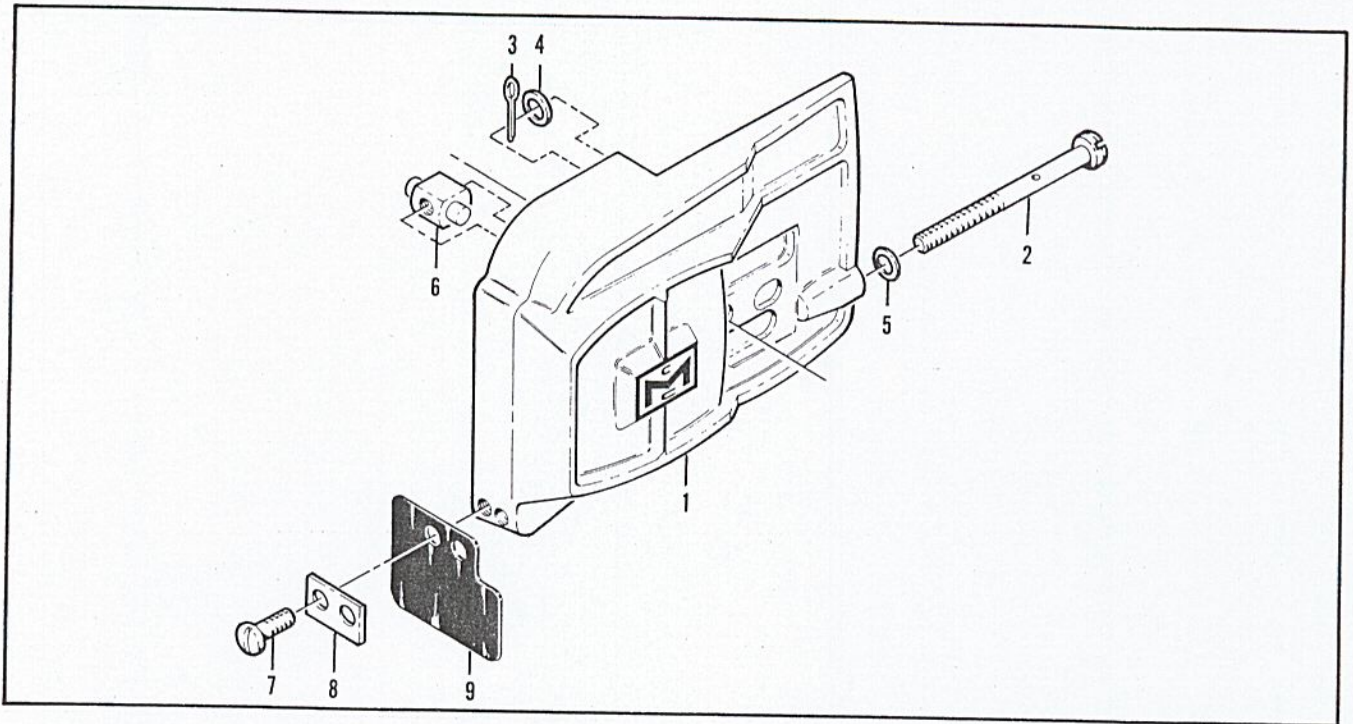


Figure 2. Clutch Guard Assembly

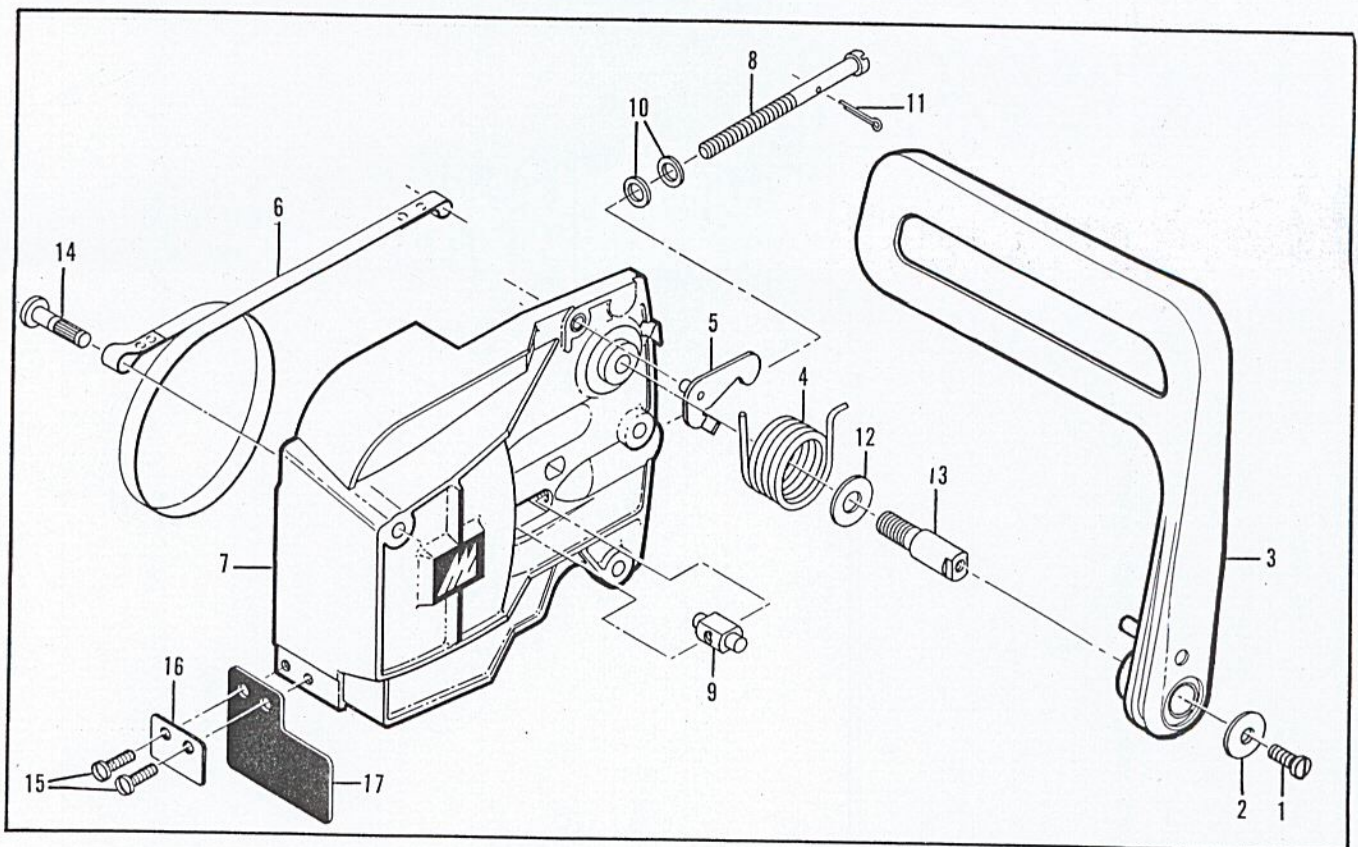


Figure 3. CHAIN BRAKE Assembly

Figure 2. Clutch Guard Assembly

Item No.	Part Number	Description	Units Per Asy.
1	85547A	Clutch Guard Asy	1
2	62057	. Screw - Adjustment	1
3	105686	. Pin - Cotter	1
4	100004	. Washer - 1/4	1
5	100005	. Washer - 1/4	1

Item No.	Part Number	Description	Units Per Asy.
6	52207C	. Nut - Bar adjustment	1
7	110041	Screw - Pan hd 8-32 x 1/2	2
8	69492	Retainer - Deflector	1
9	69477	Deflector - Sawdust	1

Figure 2. CHAIN BRAKE Assembly

Item No.	Part Number	Description	Units Per Asy.
	91436	CHAIN BRAKE	1
1	102500	. Screw - Pan hd 10-24 x 1/2	1
2	91273	. Washer - Special	1
3	91251	. Lever Asy - Brake	1
4	91411	. Spring - Activating	1
5	-91235A	. Latch Asy	1
6	91410	. Band - Brake	1
7	91437	. Housing Asy	1
8	91761	. . Screw - Bar adjusting	1

Item No.	Part Number	Description	Units Per Asy.
9	52207C	. . Nut - Bar adjusting	1
10	100004	. . Washer	2
11	105686	. . Pin - Cotter	1
12	91245	. . Washer - Thrust	1
13	91246	. . Pin - Lever pivot	1
14	91412	. Pin - Brake band	1
15	110041	Screw - Pan hd 8-32 x 1/2	2
16	69492	Retainer - Deflector	1
17	69477	Deflector	1

# SuperPro 125C

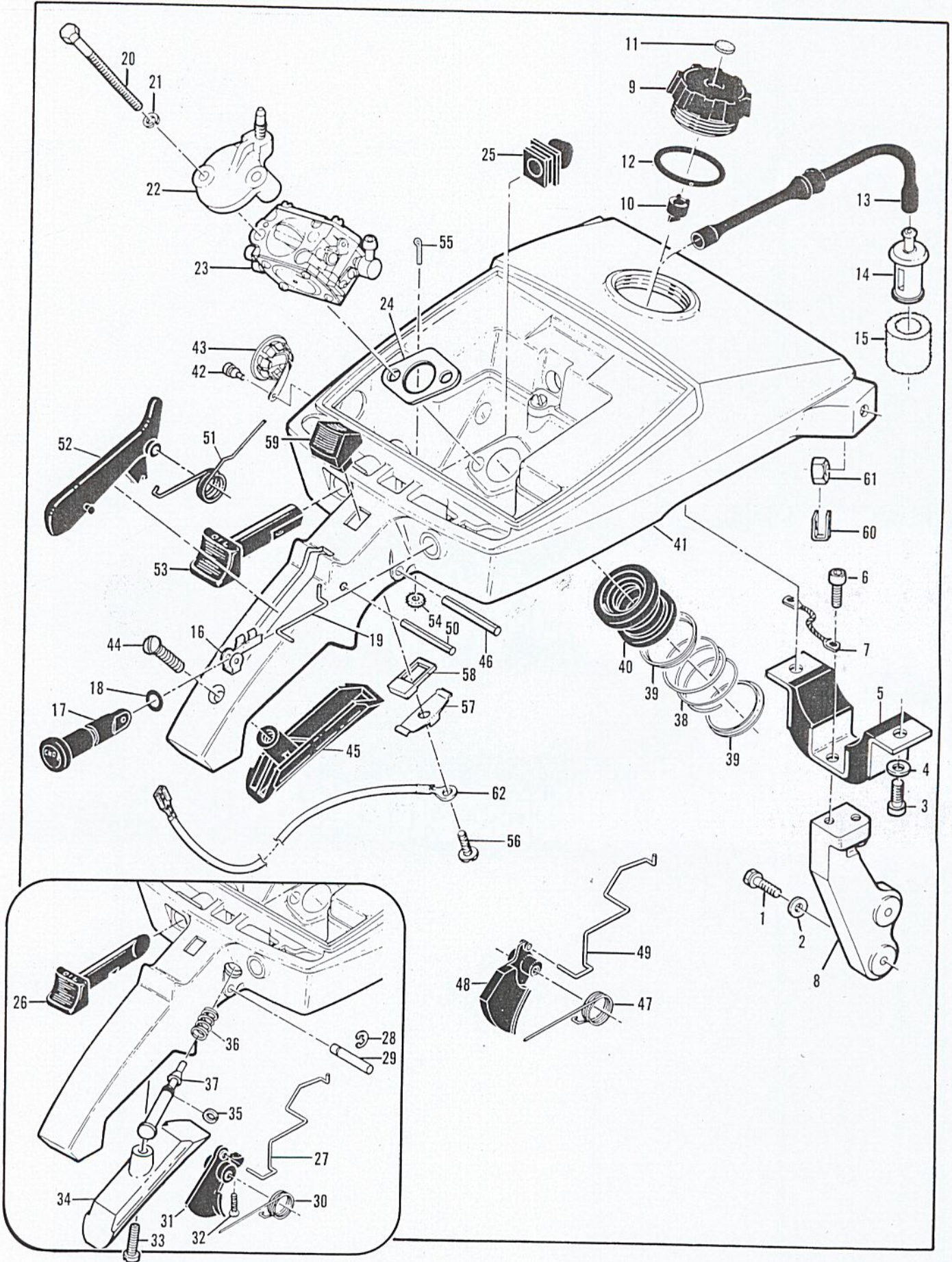


Figure 4. Fuel Tank Assembly

Figure 4. Fuel Tank Assembly

Item No.	Part Number	Description	Units Per Asy.	Item No.	Part Number	Description	Units Per Asy.
1	102761	Screw - Hx hd 10-24 x 7/8	2	32	110668 ④	Screw - Fil hd 8-36 x 5/8	1
2	83745	Washer - Special	2	33	110724 ④	Screw - Fil hd 10-24 x 1	1
3	104895	Screw - Skt hd 10-24 x 5/8	2	34	85660 ④	Insert - Handle	1
4	83745	Washer - Special	2	35	102189 ④	Ring - Retaining	1
5	85897	Mount - Front	1	36	84214 ④	Spring - Throttle latch	1
6	104895	Screw - Skt hd 10-24 x 5/8	2	37	84213 ②	Button - Throttle latch	1
7	86365	Strap - Ground	1	(37)	86151 ③	Button - Throttle latch	1
8	69422	Bracket - Mount	1	38	69565	Spring - Connector	1
9	55934B	Cap Asy - Fuel	1	39	69371	Ferrule - Connector	2
10	53766A	. Valve - Check	1	40	69889	Connector	1
11	55063	. Seal - Capillary	1	41	-87289A	Kit - Tank/Control Asy	1
12	101348	"O" Ring	1	42	69360 ④	. Plug	1
13	69312	Hose - Fuel	1	43	51396A ④	. Cover Asy - Adj hole	1
14	53679B	Pickup Asy - Fuel	1	44	-92209 ⑤	. Screw - Insert	1
15	61159	. Filter - Fuel	1	45	-92172 ⑤	. Insert - Handle	1
16	69442	Retainer - Choke Rod	1	46	-110948 ⑤	. Pin - Roll 3/16 x 1-1/4	1
17	69471	Button - Choke	1	47	69466 ⑤	. Spring - Trigger	1
18	105614	"O" Ring	1	48	-92164 ⑤	. Trigger - Throttle	1
19	69443	Rod - Choke	1	49	86149 ⑤	. Rod - Throttle	1
20	110614	Screw - Hx hd 10-24 x 2-3/8	2	50	-102419 ⑤	. Pin - Roll 1/8 x 1	1
21	103174	Washer - Lock #10	2	51	-92173 ⑤	. Spring - Trigger release	1
22	69152	Anchor Asy - Air cleaner	1	52	-92165 ⑤	. Release - Trigger	1
23		Carburetor Asy (Fig 6)	1	53	87285 ⑥	. Plunger - Oiler	1
24	86189	Gasket - Carburetor	1	54	69352	. Washer - Felt	1
25	69525	Grommet - Throttle rod	1	55	104310	. Pin - Cotter	1
26	69495 ①	Plunger - Oiler	1	56	110706	. Screw - Pan hd 8-18 x 1/2	1
27	84119 ②	Rod - Throttle	1	57	62451	. Contact - Ignition switch	1
(27)	86149 ③	Rod - Throttle	1	58	62950A	. Base - Stop switch	1
28	104501 ④	Retainer - Trigger pin	1	59	68846	. Button - Stop switch	1
29	69465 ④	Pin - Trigger	1	60	28053	. Retainer - Nut	2
30	69466 ④	Spring - Trigger	1	61	101326	. Nut - Hx 10-24	2
31	84121 ②	Trigger - Throttle	1	62	83661	Wire Asy - Stop switch	1
(31)	86150 ③	Trigger - Throttle	1				

- ① Used on models with serial number prefix 10-, 11-.
- ② Used on models with serial number prefix 10-.
- ③ Used on models with serial number prefix 11-, 12-, 13-, 14-.
- ④ Used on models with serial number prefix 10-, 11-, 12-, 13-, 14-.
- ⑤ Used on models with serial number prefix 15-.
- ⑥ Used on models with serial number prefix 12-, 13-, 14-, 15-.

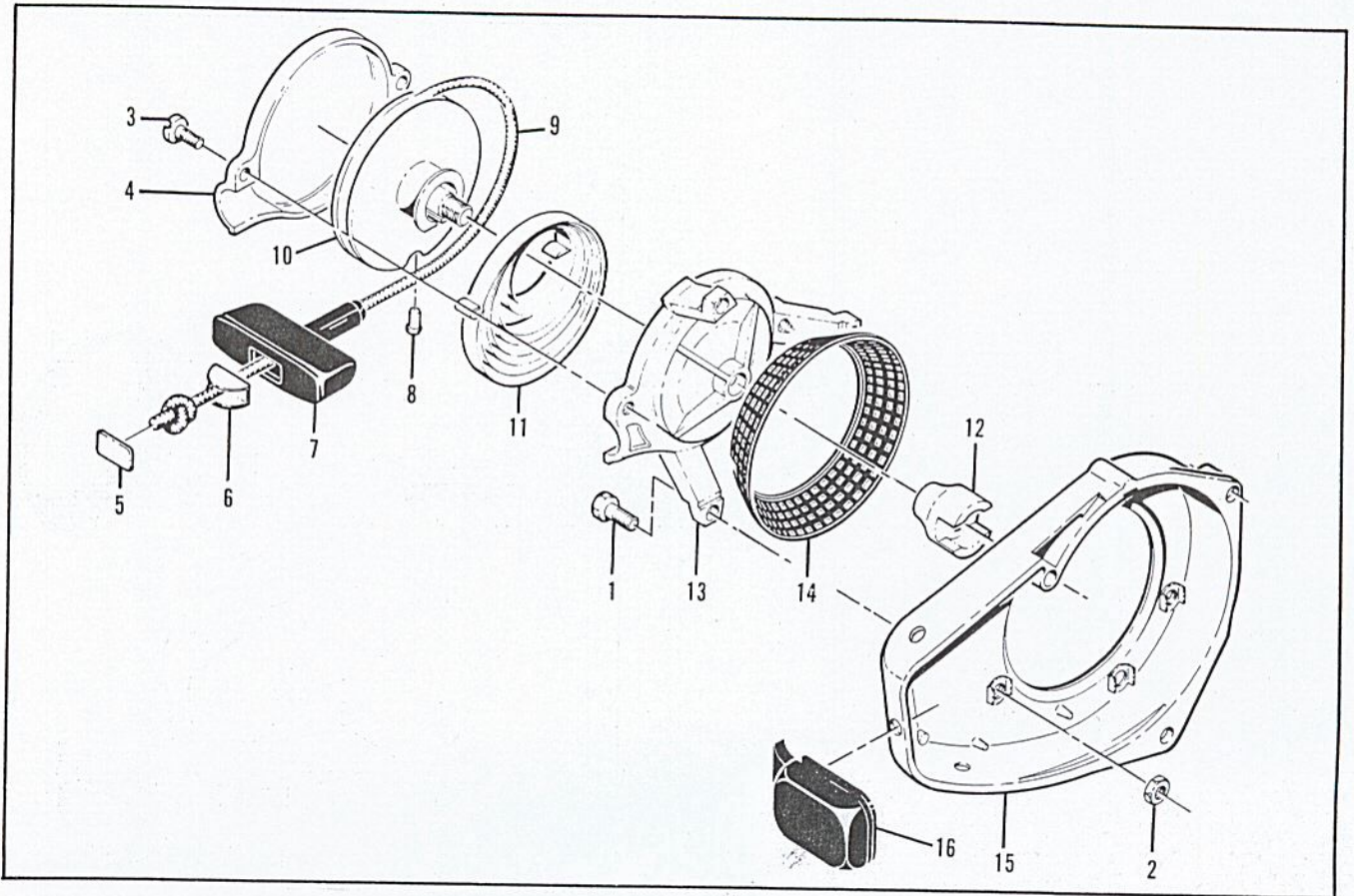


Figure 5. Fan Housing and Starter Assemblies

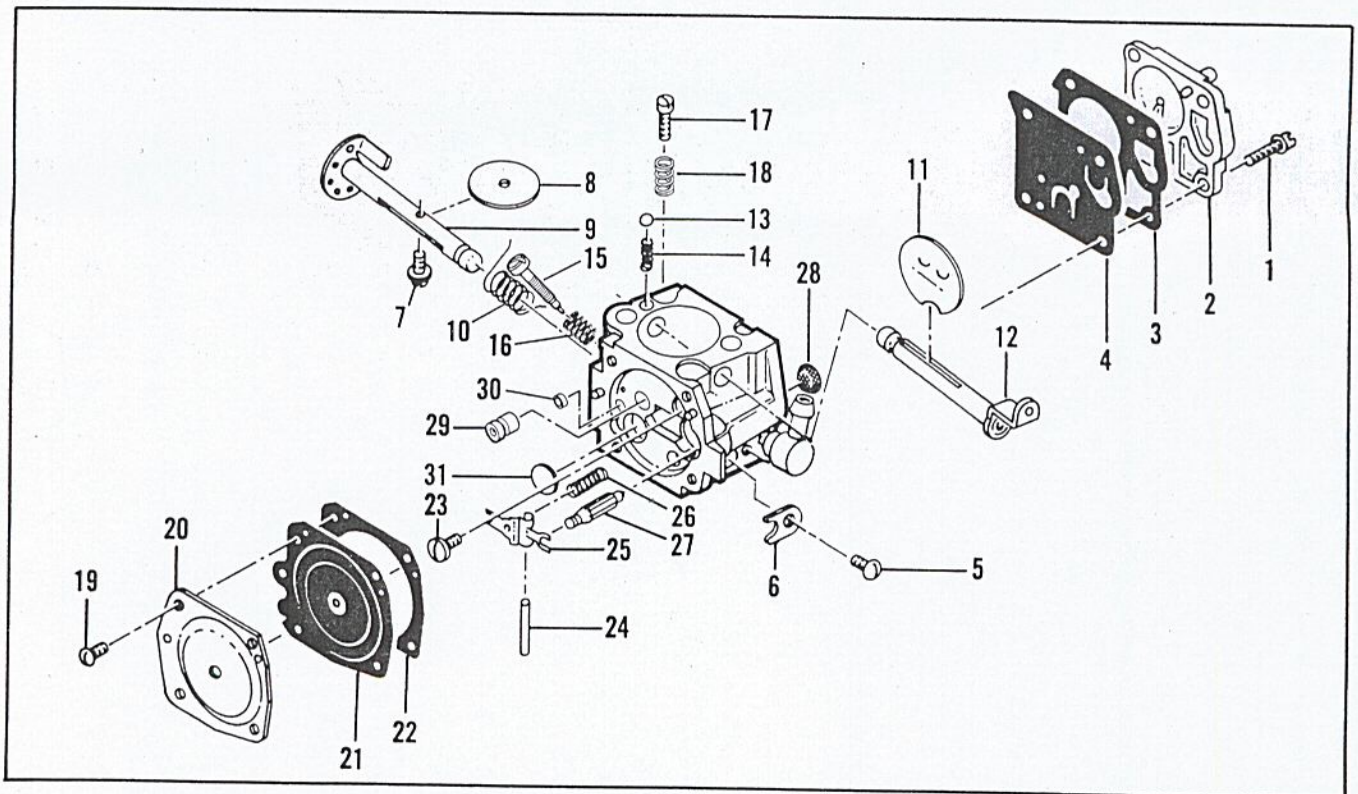


Figure 6. Carburetor Assembly



Figure 5. Fan Housing & Starter Assemblies

Item No.	Part Number	Description	Units Per Assy.	Item No.	Part Number	Description	Units Per Assy.
1	110911	Screw - Hx hd 10-24 x 7/8	3	8	101136	. Rivet - Rope	1
2	101326	① Nut - Hx 10-24	3	9	28716	. Rope - Starter	1
	85323	Starter Assy	1	10	57792	. Drum - Starter	1
3	104396	. Screw - Pan hd 10-24 x 3/4	2	11	51665	. Spring - Rewind	1
4	60647	. Cover - Starter	1	12	84177	. Ratchet - Starter	1
5	57232	. Plate - Starter handle	1	13	84212	. Base - Starter	1
6	57231	. Cup - Handle	1	14	84629	Guard - Sawdust	1
7	57230	. Handle - Starter	1	15	85317	Housing - Fan	1
				16	85376	. Cover - Spark plug	1

① Used on models with serial number prefix 10-, 11-, 12-.

Figure 6. Carburetor Assembly

Item No.	Part Number	Description	Units Per Assy.	Item No.	Part Number	Description	Units Per Assy.
	87288	Carburetor Assembly	1	23	*66644	. Screw - Inlet lever pin	1
1	52933	. Screw - Pump cover	4	24	*66636	. Pin - Inlet lever	1
2	83731	. Cover - Pump	1	25	*66638	. Lever - Inlet	1
3	66629	. Gasket - Pump cover	1	26	66404	. Spring - Inlet lever	1
4	*66630	. Diaphragm - Fuel pump	1	27	66637	. Needle - Inlet	1
5	48780	. Screw - Throttle shaft clip	1	28	*66623	. Screen - Fuel inlet	1
6	66646	. Clip - Throttle shaft	1	29	88771	. Jet - High speed fuel (029 std.)	1
7	*48780	. Screw - Throttle plate	1		88772	Jet - High speed (028)	Alt.
8	51720	. Plate - Throttle	1		88781	Jet - High speed (027)	Alt.
9	88773	. Shaft Assy - Throttle	1		88780	Jet - High speed (026)	Alt.
10	*67136	. Spring - Throttle shaft	1		88769	Jet - High speed (030)	Alt.
11	66639	. Plate - Choke	1		88770	Jet - High speed (031)	Alt.
12	83717	. Shaft Assy - Choke	1	30	52928	. Plug - Cup	1
13	100071	. Ball - Choke friction	1	31	*66622	. Plug - Welch	1
14	48759	. Spring - Choke friction	1		*88774	Gasket Set	
15	88768	. Needle - Low speed mix	1		88775	Repair Kit	
16	*66626	. Spring - Needle	1				
17	*66625	. Screw - Idle speed	1				
18	*66626	. Spring - Idle speed screw	1				
19	61725	. Screw - Diaphragm cover	4				
20	66631	. Cover - Diaphragm	1				
21	*66632	. Diaphragm - Metering	1				
22	66633	. Gasket - Diaphragm	1				

\* Indicates parts included in Repair Kit, P/N 88775.

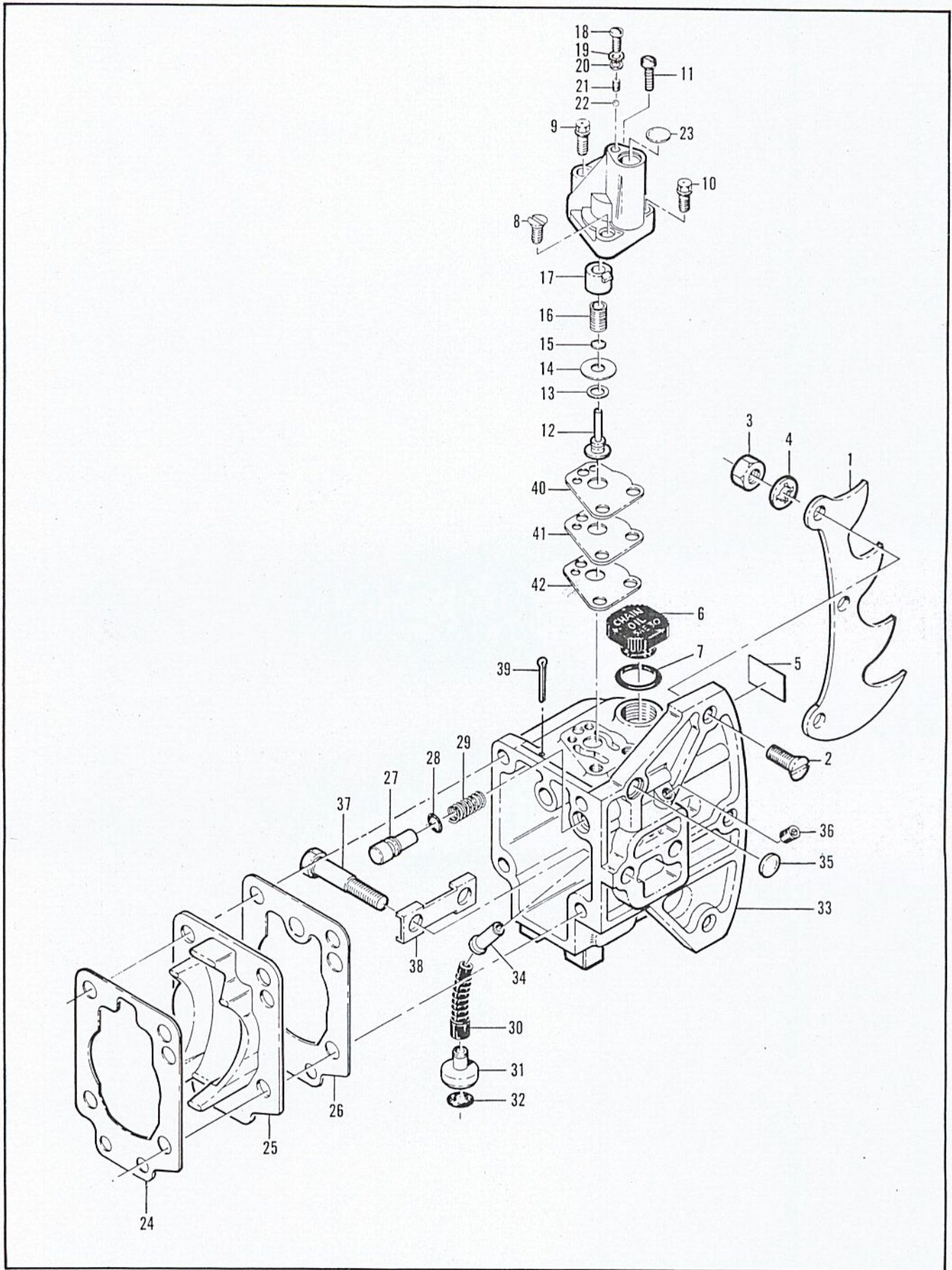


Figure 7. Oiler Tank and Pump Assemblies

## Figure 7. Oiler Tank & Pump Assemblies

Item No.	Part Number	Description	Units Per Asy.	Item No.	Part Number	Description	Units Per Asy.
1	61331	Kit - Spike	1	21	60396B	. Spring - Ball check	1
2	102088	. Screw - Fil hd 1/4-20 x 3/4	3	22	102809	. Ball check	1
3	100152	. Nut - Hx 1/4-20	3	23	110157	. Plug - Expansion	1
4	100153	. Washer - Lock	3	24	65654	Gasket - Crankcase bottom cover	1
5	89350	Decal - Oiler	1	25	86124	Cover - Crankcase bottom	1
6	57129A	Cap - Oil	1	26	86125	Gasket - Oiler housing	1
7	101148	"O" Ring	1	27	63643	Piston - Oiler	1
8	110245	Screw - Fil hd 10-24 x 3/4	1	28	105617	"O" Ring	1
9	110257	Screw - Hx hd 10-24 x 1-3/4	1	29	51946	Spring - Piston	1
10	-110127	Screw - Hx hd 10-24 x 7/8 (SEMS)	1	30	90995	Pickup Asy - Oil	1
	89498	Pump Asy	1	31	67569	. Weight - Oil pickup	1
11	110890	. Screw - Fil hd 10-24 x 7/8	1	32	67552	. Screen - Oil pickup	1
12	60260A	. Piston Asy	1	33	85392	Housing Asy - Oil	1
13	60937	. Washer - Piston	1	34	51982A	. Valve Asy - Check	1
14	86182	. Ring - Piston	1	35	110914	. Plug - Cup	1
15	105603	. "O" Ring	1	36	91659	. Plug - Pipe	1
16	86183	. Spring - Piston	1	37	51423B	. Bolt - Bar	2
17	67918	. Sleeve - Adjustment	1	38	51439	. Plate - Lock	1
18	60397A	. Screw - Special	1	39	104062	. Pin - Cotter	1
19	110613	. Washer - #8 Hard	1	40	86186	. Gasket - Pump	1
20	60398B	. Washer - Special	1	41	67471	. Spacer - Pump	1
				42	68794	. Gasket - Spacer	1

# Super Pro 125C

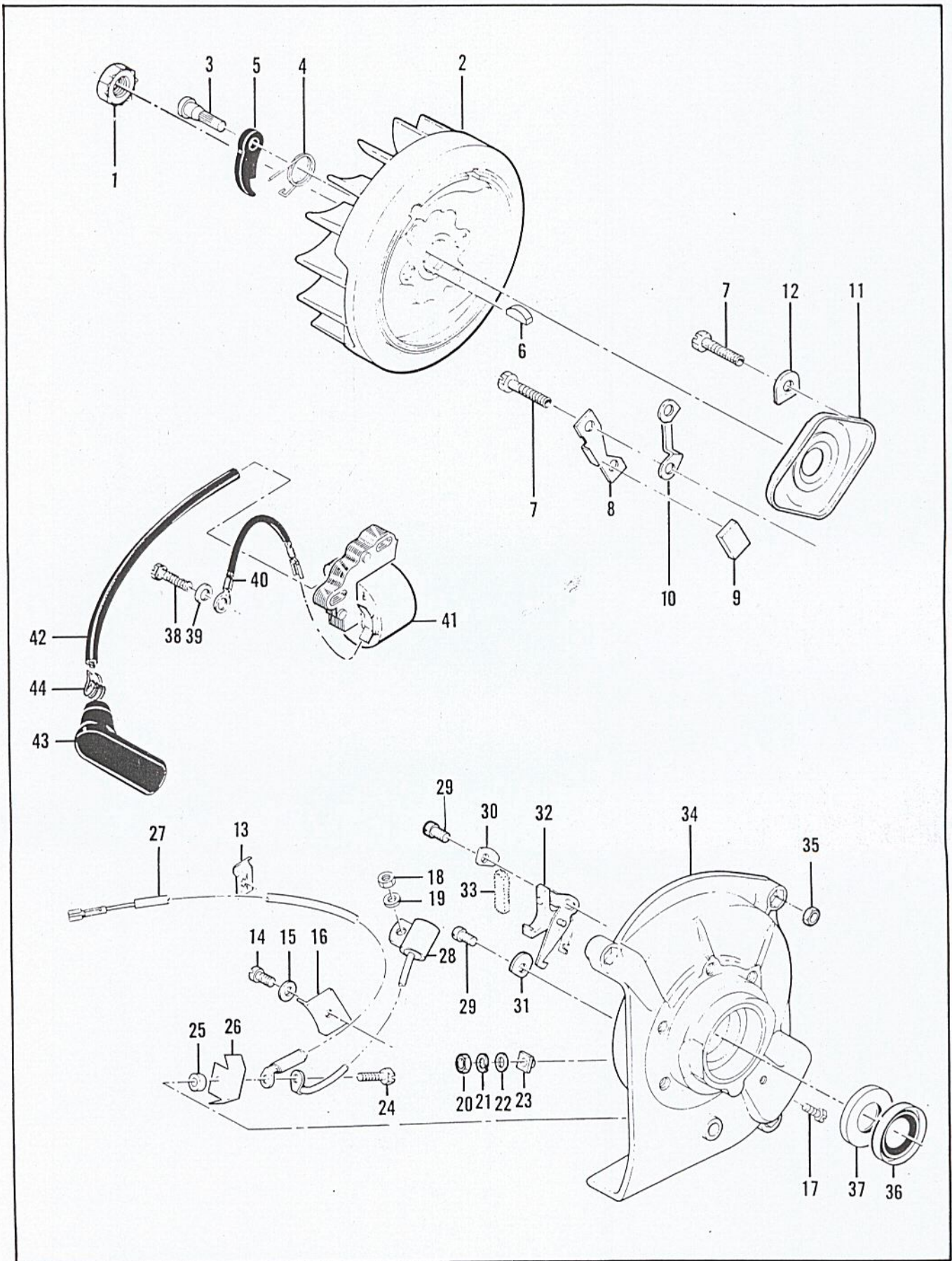


Figure 8. Crankcase Cover and Ignition Assemblies

## Figure 8. Crankcase Cover & Ignition Assemblies

Item No.	Part Number	Description	Units Per Asy.	Item No.	Part Number	Description	Units Per Asy.
1	110655	Nut - Hx 7/16-20	1	23	57770A	Insulator - Breaker spring	1
2	68282	Flywheel & Pawl Asy	1	24	110338	Screw - Hx hd 8-32 x 9/16	1
3	36144B	. Pin - Pawl	2	25	57769	Insulator - Ignition screw	1
4	66351	. Spring - Pawl	2	26	55782A	Insulator - Breaker terminal	1
5	24093	. Pawl - Starter	2	27	63628	Wire Asy - Primary	1
6	100106	Key - Woodruff	1	28	85358	Condenser	1
7	110866	Screw - Hx hd 10-24 x 3/4	6	29	104733	Screw - Fil hd 8-32 x 1/2 (SEMS)	2
8	57815	Strap - Seal	1	30	57767A	Plate - Lock	1
9	50664	Seal - Breaker box	1	31	55778E	Washer - Breaker retainer	1
10	55977	Clip - Cover	2	32	88807	Breaker Asy	1
11	55766B	Cover - Breaker box	1	33	54184	Wiper - Oil	1
12	36388	① Plate - Lock	1	34	84193	Cover Asy - Crankcase	1
13	104230	Nut - Speed	1	35	101326	. Nut - Hx 10-24	3
14	110055	Screw - Fil hd 8-32 x 3/8 (SEMS)	1	36	57898	. Seal - Oil	1
15	100080	Washer - #8	1	37	57897	. Seal - Oil	1
16	57829	Clamp - Ignition wire	1	38	110713	Screw - Skt hd 10-24 x 7/8	2
17	103748	Screw - Hx hd 8-32 x 1/2	1	39	83745	Washer - Special	2
18	100251	Nut - Hx 8-32	1	40	63639	Wire Asy - Ground	1
19	100057	Washer - Lock #8	1	41	85243	Coil & Lamination Asy	1
20	104551	Nut - Hx 8-32	1	42	50120	. Wire Asy - Spark plug	1
21	104553	Washer - Lock #8	1	43	55060	. . Boot - Spark plug	1
22	100080	Washer - #8	1	44	55061	. . Connector - Spark plug	1

① Used on models with serial number prefix 10-, 11-, 12-, 13-, 14-.

### Service Specifications

Spark Plug Gap	-	.025 in. (.63 mm)
Lamination Gap	-	.010 to .012 in. (.25 to .30 mm)
Breaker Point Gap	-	.019 to .020 in. (.48 to .51 mm)
Timing	-	26° BTDC
Clutch Engagement Speed	-	2700 to 2900 r. p. m.
Torques	-	Connecting Rod Screws: 105 to 110 lb/in (121 to 127 kg/cm)
		Clutch Nut: 340 to 360 lb/in (392 to 415 kg/cm)
		Flywheel Nut: 375 to 425 lb/in (432 to 490 kg/cm)

# Super Pro 125C

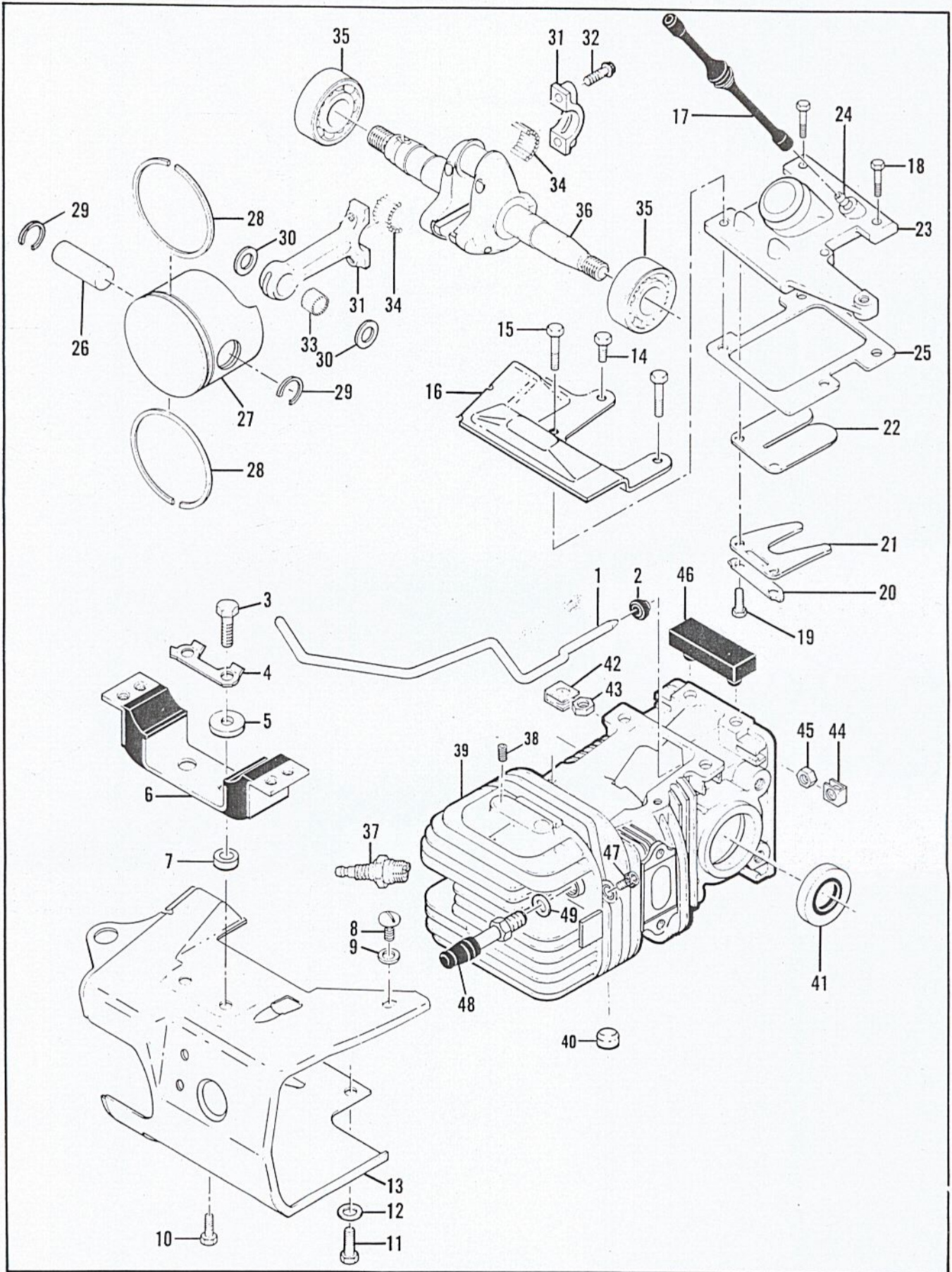


Figure 9. Powerhead & Shroud Assys

## Figure 9. Powerhead & Shroud Assemblies

Item No.	Part Number	Description	Units Per Asy.	Item No.	Part Number	Description	Units Per Asy.
1	69460	Pushrod - Oiler	1	25	69526	Gasket - Manifold	1
2	57736	Seal - Pushrod	1	26	89204	Pin - Piston	1
3	102761	Screw - Hx hd 10-24 x 7/8	2	27	85539	Piston Assembly	1
4	69654	Plate - Lock	1	28	85608	. Ring Set	1
5	69417	Washer - Insulator	2	29	85273	. Ring - Retaining	2
6	85896	Mount - Rear	1	30	85266	Washer - Thrust	2
7	85261	Spacer - Insulator	2	31	88623	Connecting Rod Asy	1
8	104393	Screw - Pan hd 10-24 x 3/8	1	32	110720	. Screw - Spline hd special	2
9	100003	Washer - #10	1	33	85607	. Roller - Needle (Set of 22)	1
10	104950	Screw - Hx hd 10-24 x 5/8	1	34	85420	. Roller - Needle	24
11	102861	Screw - Hx hd 1/4-20x5/8	2	35	66016	Bearing - Ball	2
12	100005	Washer - 1/4	2	36	85476	Crankshaft	1
13	91106	Shroud	1	37	63432	Spark Plug (B,D)	1
14	110581	① Screw - Hx hd 10-24 x 5/16	1	(37)	63097	Spark Plug (A)	1
15	110748	① Screw - Hx hd 10-24 x 1	2	38	83374	② Insert	2
16	85421	① Baffle - Fan	1	39	91110	Crankcase Assembly	1
17	88759	Hose - Pulse line	1	40	110685	. Plug - Cup	3
18	110621	Screw - Hx hd 10-24 x 3/4 (SEMS)	2	41	104432	. Seal - Oil	1
	85156	Manifold & Reed Asy	1	42	28053	. Retainer - Nut	2
19	103748	. Screw - Hx hd 8-32 x 1/2	2	43	101326	. Nut - Hx 10-24	2
20	69501	. Plate - Lock	1	44	18556A	. Retainer - Nut	6
21	86294	. Stop - Reed	1	45	105394	. Nut - Hx 1/4-20	6
22	86293	. Valve - Reed	1	46	69872	. Snubber - Fuel tank	1
23	85235	. Manifold & Pulse fitting	1	47	110681	. Screw - Skthd 10-24 x 1/4	1
24	69600	. . Fitting - Pulse	1	48	85148	Valve - Comp. rel.	1
				49	85505	Washer - Valve	1

- ① Used on models with serial number prefix 10-, 11-, 12-, 13-, 14-.
- ② Used on models with serial number prefix 10-, 11-, 12-, 13-.

## Accessories

Part Number	Description
64797	Wrench - Spark plug
61040	Wrench - Combination
85584	Socket - Extension
85583	Key - Splined socket
65712	Guide - Timing
68256	Kit - Split bearing retainer
84688	Kit - Spark arrester baffle
85108	. Retainer - Baffle
85463	Kit - Preheater

Part Number	Description
86351	Kit - Fuel cap cover
83463	Kit - Gas & Go
85376	Kit - Spark plug cover
85322	Kit - Fanhousing & cover
63097	Spark Plug (A) (Standard)
63432	Spark Plug (B,D) (Standard)
65778	Spark Plug (Cooler)
91435	Kit - CHAIN BRAKE