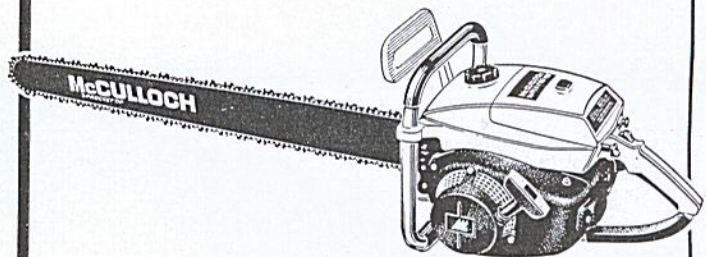


# ILLUSTRATED PARTS LIST

MODELS	SERIAL NUMBER PREFIX	MODELS	SERIAL NUMBER PREFIX
600076A	11-, 12-, 14-	600076D	11-, 12-, 14-
600076B	11-, 12-, 14-		

## Super Pro 125C Chain Saw



McC Model Chain Saws are identified by a model number (000000) followed by a suffix letter (A, B, C, etc.) stamped on the identification plate attached to the saw. Suffix letters denote variations in parts or assemblies in the manufacture of the saw.

Part numbers listed in this IPL which have a suffix letter or letters following the description, indicate the part is used only on the model(s) identified by the letter or letters.

Part numbers and descriptions without suffix letter or letters apply to all models of the McC model chain saw.

Part numbers which have one or more dots (.) preceding their description may be ordered individually but they are also included in the kit or assembly whose description begins directly above the dot(s).

Part numbers which have changed since the previous printing of the IPL covering these saws, are indicated by a dash (-) preceding the new part number.

The policy of McCulloch Corporation is one of continual improvement in design, manufacturing and engineering advancement wherever possible to assure still finer two-cycle power tools. Hence, specifications, equipment, colors, design and manufacturer's suggested list prices are subject to change without notice and McCulloch Corporation reserves the right to make such changes without prior notification or obligation to backfit or supply backfit components for units previously shipped from the factory.

### MARCH 1976

#### - CONTENTS -

	<u>Page</u>
Figure 1. General . . . . .	2
Figure 2. Chain Brake . . . . .	4
Figure 3. Fan Housing & Starter Assys . . . . .	4
Figure 4. Fuel Tank Assembly . . . . .	6
Figure 5. Carburetor Assembly . . . . .	8
Figure 6. Carburetor Assembly . . . . .	8
Figure 7. Oiler Tank & Pump Assys . . . . .	10
Figure 8. Crankcase Cover and Ignition Assemblies . . . . .	12
Figure 9. Powerhead & Shroud Assys . . . . .	14
Accessories . . . . .	15



# Super Pro 125C

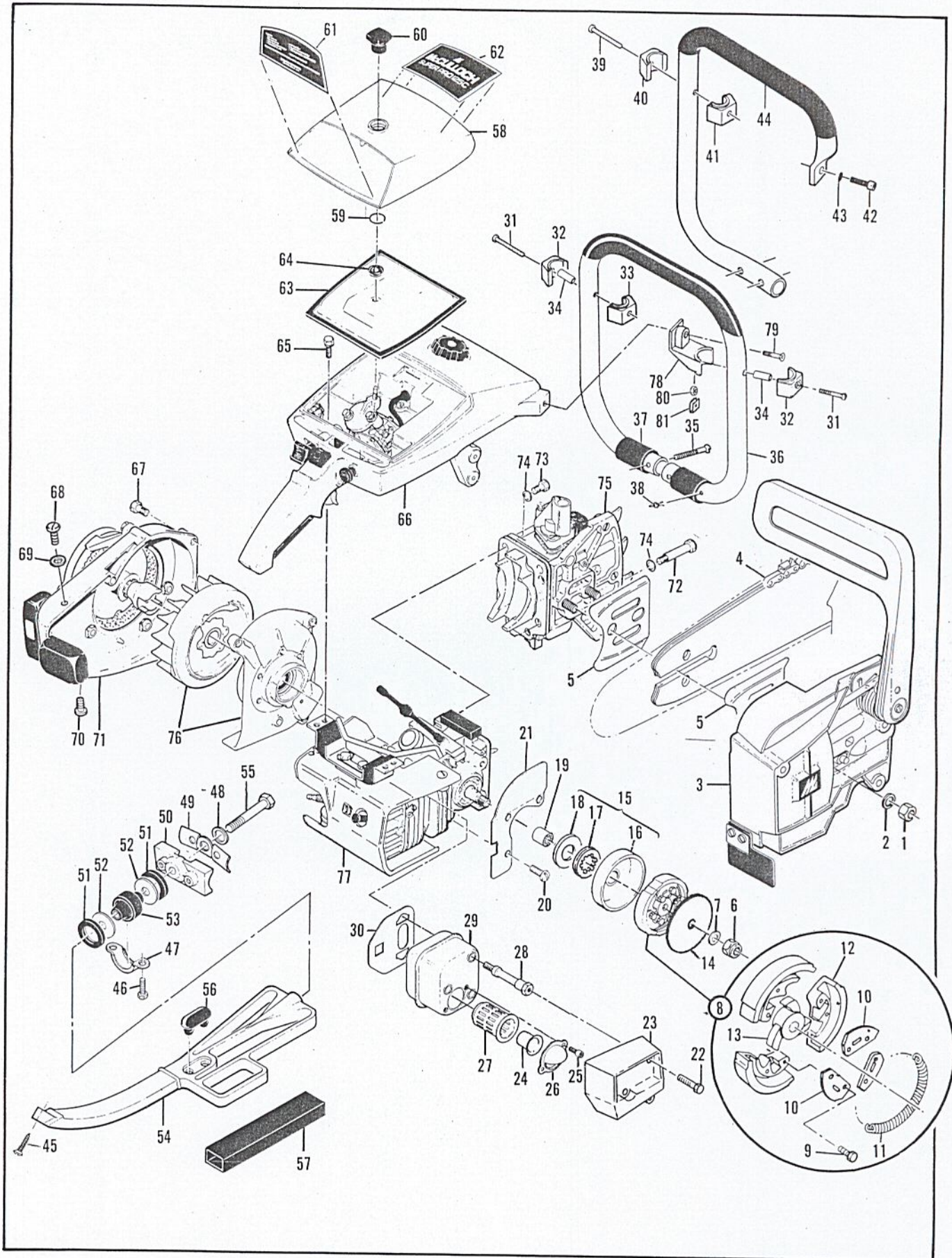


Figure 1. General

Figure 1. General

Item No.	Part Number	Description	Units Per Assy.
1	110625	Nut - Hex 3/8-24	2
2	84623	Washer - Special	2
3		CHAIN BRAKE Assy (See Figure 2)	
4		Bar and Chain	1
5	64935	Plate - Bar	2
6	86113	Nut - Hex 3/8-24 (LH)	1
7	*100006	Washer - 3/8	1
8	-88820	Clutch Assembly	1
9	110850	. Screw - Hex hd 8-32 x 1/2	6
10	86409	. Plate Assy - Retainer	3
11	-88735	. Spring - Clutch	1
12	-88817	. Shoe - Clutch	3
13	86112	. Rotor - Clutch	1
14	-91055	Plate - Clutch Protector	1
15	-90358	Kit - Drum, Sprocket, Washer	1
16	-90359	. Drum - Clutch	1
17	86342	. Sprocket - 7T .404	1
18	86366	. Washer - Sprocket	1
19	90360	Bearing - Sprocket	1
20	104133	Screw - Pan hd 1/4-20 x 5/8 (SEMS)	3
21	-69464A	Jacket - Cylinder	1
22	110717	Screw - Hex hd 10-32 x 3/4	3
23	85459	Guard - Muffler	1
24	90716	Valve - Muffler (D)	1
	85388	Kit - Muffler	1
25	110664	. Screw - Skt hd 10-24 x 3/8	2
26	84203	. Deflector	1
27	84690	. Baffle - Muffler	1
28	85121	. Screw - Shoulder	3
29	85117	. Muffler Assembly	1
30	-89224	. Gasket - Muffler	1
31	110605	Screw - Oval hd 10-24 x 2	2
32	69994	Collar - Frame (A, D)	2
33	69995	Collar - Frame (A, D)	1
34	69524	Bushing - Frame (A, D)	2
35	110606	Screw - Oval hd 10-24 x 1-1/4 (A, D)	2
36	-69468A	Frame & Grip Assy - (A, D)	1
37	69885	Protector - Frame (A, D)	2
38	84795	Rivet - Stop (A, D)	2
39	110605	Screw - Oval hd 10-24 x 2 (B)	1
40	69994	Collar - Frame (B)	1
41	69995	Collar - Frame (B)	1
42	110714	Screw - Skt hd 10-24 x 3/4 (B)	1

Item No.	Part Number	Description	Units Per Assy.
43	24236	Washer - Special (B)	1
44	86106	Frame & Grip Assy (B)	1
45	101986	Screw - Oval hd 10-24 x 1	1
46	104950	Screw - Hex hd 10-24 x 5/8	2
47	83819	Clamp - Lower mount	1
48	100004	Washer - 1/4	1
49	85581	Lockplate	1
50	85220	Bracket - Lower mount	1
51	84661	Grommet	2
52	110845	Washer - Grommet	2
53	85898	Mount - Lower	1
54	86302	Kit - Handle brace	1
55	86301	. Bolt - Handle brace	1
56	69883	Bumper - Brace	1
57	85651	Sleeve - Brace	1
58	85092	Cover Assy - Air cleaner	1
59	110565	. Ring - Retaining	1
60	68529	. Knob - Cover	1
61	91519	Plate - Instructions	1
62	91518	Nameplate	1
63	69100	Filter - Air	1
64	68528	. Grommet - Filter	1
65	104950	Screw - Hex hd 10-24 x 5/8 (SEMS)	4
66		Fuel Tank Assembly (See Figure 4)	
67	110910	Screw - Hex hd 10-24 x 1-3/8 (SEMS)	3
68	104950	Screw - Hex hd 10-24 x 5/8 (SEMS)	1
69	100002	Washer - #10	1
70	102500	Screw - Panhd 10-24 x 1/2	1
71		Fan Housing & Starter Assembly (See Fig. 3)	
72	102127	Screw - Hexhd 1/4-20 x 3-1/4	2
73	103258	Screw - Hex hd 1/4-20 x 1-1/8	2
74	100005	Washer - 1/4	4
75		Oiler Housing Assy (See Figure 7)	
76		Crankcase Cover & Ignition Assembly (See Figure 8)	
77		Powerhead & Shroud Assys (See Figure 9)	
78	-91621	Collar - Frame (A, D)	1
79	-101986	Screw - Oval hd 10-24 x 1 (A, D)	1
80	-101326	Nut - Hex 10-24 (A, D)	1
81	-28053	Retainer - Nut	1

\* Serial Number prefix 10- only.

# Super Pro 125C

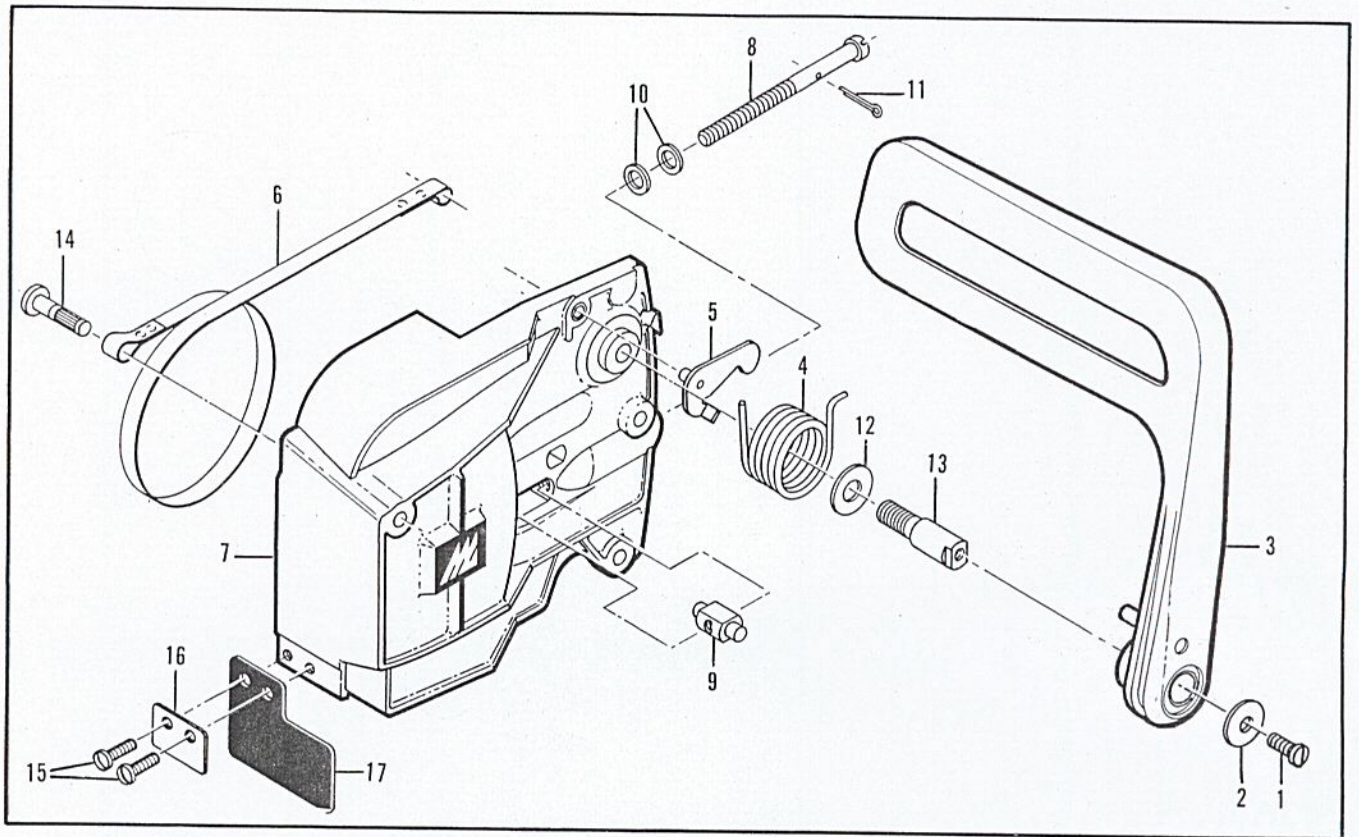


Figure 2. Chain Brake

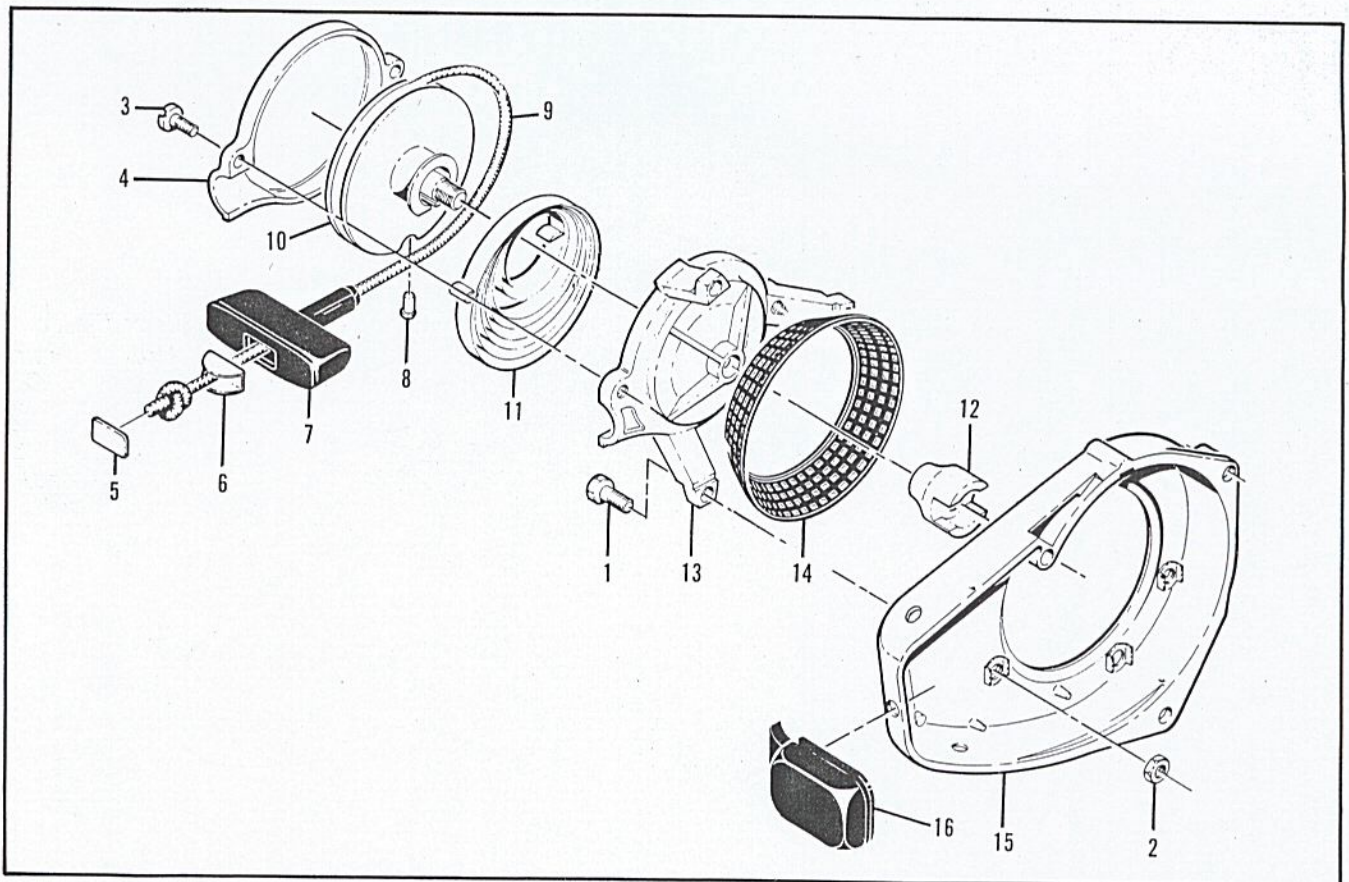


Figure 3. Fan Housing & Starter Assys

Figure 2. Chain Brake Assembly

Item No.	Part Number	Description	Units Per Assy.
	91436	CHAIN BRAKE	1
1	102500	. Screw - Panhd 10-24 x 1/2	1
2	91273	. Washer - Special	1
3	91251	. Lever Assy - Brake	1
4	91411	. Spring - Activating	1
5	91235	. Latch Assy	1
6	91410	. Band - Brake	1
7	91437	. Housing Assembly	1
8	91761	. . Screw - Bar adjusting	1

Item No.	Part Number	Description	Units Per Assy.
9	52207C	. . Nut - Bar adjusting	1
10	100004	. . Washer	2
11	105686	. . Pin - Cotter	1
12	91245	. . Washer - Thrust	1
13	91246	. . Pin - Lever pivot	1
14	91412	. Pin - Brake band	1
15	110041	Screw - Panhd 8-32 x 1/2	2
16	69492	Retainer - Deflector	1
17	69477	Deflector	1

Figure 3. Fan Housing & Starter Assy.

Item No.	Part Number	Description	Units Per Assy.
1	110911	Screw - Hexhd 10-24 x 7/8	3
2	101326	Nut - Hex 10-24	3
	85323	Starter Assembly	1
3	104396	. Screw - Panhd 10-24 x 3/4	2
4	60647	. Cover - Starter	1
5	57232	. Plate - Starter handle	1
6	57231	. Cup - Handle	1
7	57230	. Handle - Starter	1

Item No.	Part Number	Description	Units Per Assy.
8	101136	. Rivet - Rope	1
9	28716	. Rope - Starter	1
10	57792	. Drum - Starter	1
11	51665	. Spring - Rewind	1
12	84177	. Ratchet - Starter	1
13	84212	. Base - Starter	1
14	84629	Guard - Sawdust	1
15	85317	Housing - Fan	1
16	85376	. Cover - Spark plug	1

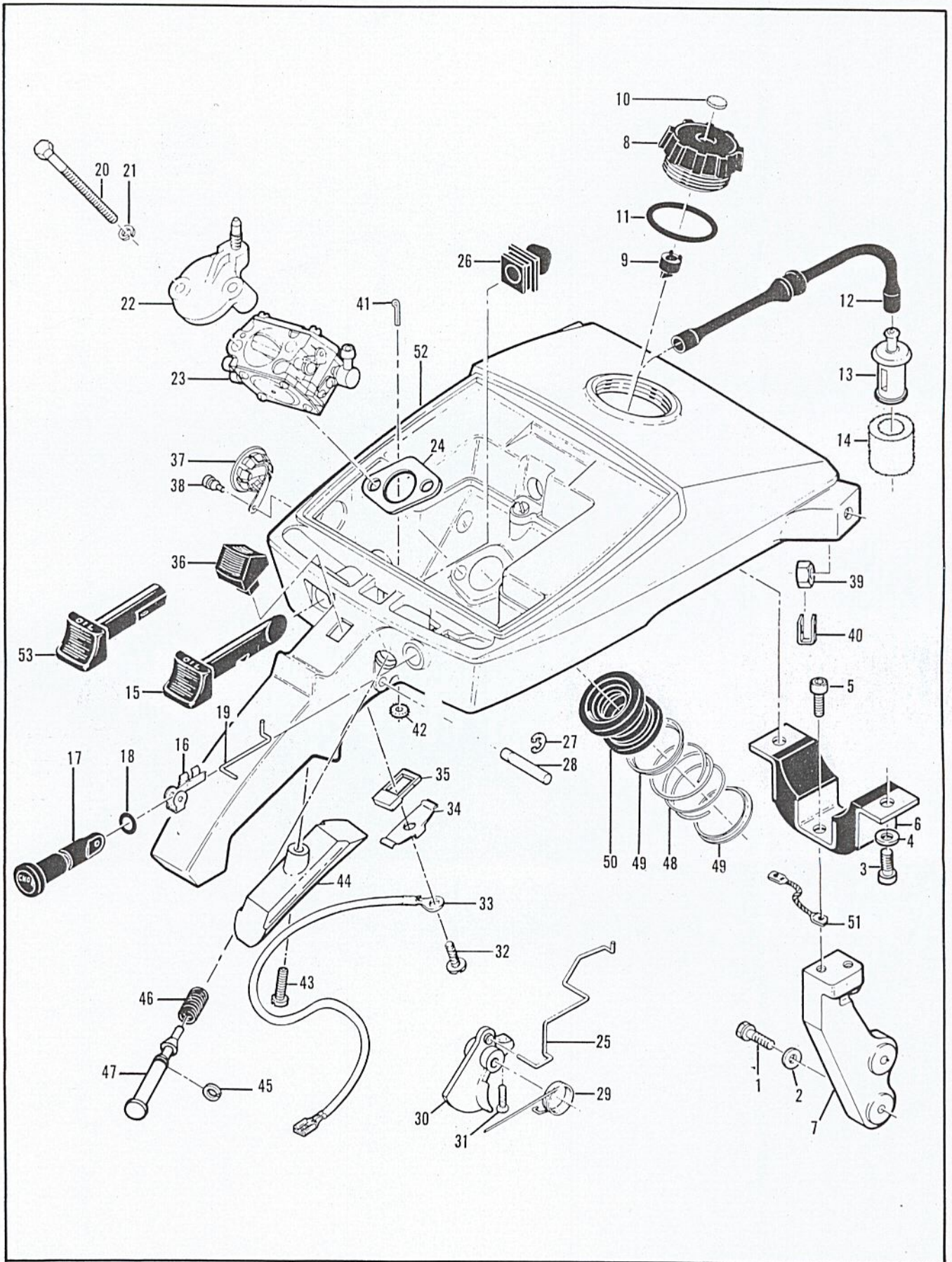


Figure 4. Fuel Tank Assembly

Figure 4. Fuel Tank Assembly

Item No.	Part Number	Description	Units Per Assy.
1	-102761	Screw - Hexhd 10-24 x 7/8	2
2	-83745	Washer - Special	2
3	104895	Screw - Skt hd 10-24 x 5/8	2
4	83745	Washer - Special	2
5	104895	Screw - Skt hd 10-24 x 5/8	2
6	85897	Mount - Front	1
7	69422	Bracket - Mount	1
8	55934B	Cap Assy - Fuel	1
9	53766A	. Valve Assy - Fuel	1
10	55063	. Seal - Capillary	1
11	101348	"O" Ring	1
12	69312	Hose - Fuel	1
13	53679B	Pickup Assy - Fuel	1
14	61159	. Filter - Fuel	1
15	69495	Button - Oiler	1
16	69442	Retainer - Choke rod	1
17	69471	Button - Choke	1
18	-105614	"O" Ring	1
19	69443	Rod - Choke	1
20	110614	Screw - Hexhd 10-24 x 2-3/8	2
21	103174	Lockwasher - #10	2
22	69152	Anchor Assy - Air cleaner	1
23		Carburetor Assy - (See Figures 5 and 6)	
24	86189	Gasket - Carburetor	1
25	84119	Rod - Throttle	1
	86149	Rod - Throttle	1
26	69525	Grommet - Throttle rod	1
27	104501	Retainer - Trigger pin	1

Item No.	Part Number	Description	Units Per Assy.
28	69465	Pin - Trigger	1
29	69466	Spring - Trigger	1
30	84121	Trigger	1
	86150	Trigger	1
31	-110668	Screw - Filhd 8-36 x 5/8	1
32	-110706	Screw - Panhd 8-18 x 1/2	1
33	83661	Wire Assy - Stop switch	1
34	62451	Contact - Switch	1
35	62950A	Base - Switch	1
36	68846	Button - Switch	1
37	51396A	Cover Assy - Adjustment	1
38	69360	Plug	1
39	101326	Nut - Hex 10-24	2
40	28053	Retainer - Nut	2
41	104310	Pin - Cotter	1
42	69352	Washer - Felt	1
43	110724	Screw - Filhd 10-24 x 1	1
44	85660	Insert - Handle	1
45	102189	Ring - Retaining	1
46	84214	Spring - Throttle latch	1
47	84213	Button - Throttle latch	1
	86151	Button - Throttle latch	1
48	69565	Spring - Connector	1
49	69371	Ferrule - Connector	2
50	69889	Connector	1
51	86365	Strap - Ground	1
52	87289	Kit - Tank Assy	1
53	87285	Button - Oiler	1

- ① Used on saws with serial numbers prefixed 10-, 11-.
- ② Used on saws with serial numbers prefixed 10-.
- ③ Used on saws with serial numbers prefixed 11-, 12-, 13-, 14-.
- ④ Used on saws with serial numbers prefixed 12-, 13-, 14-.

# Super Pro 125C

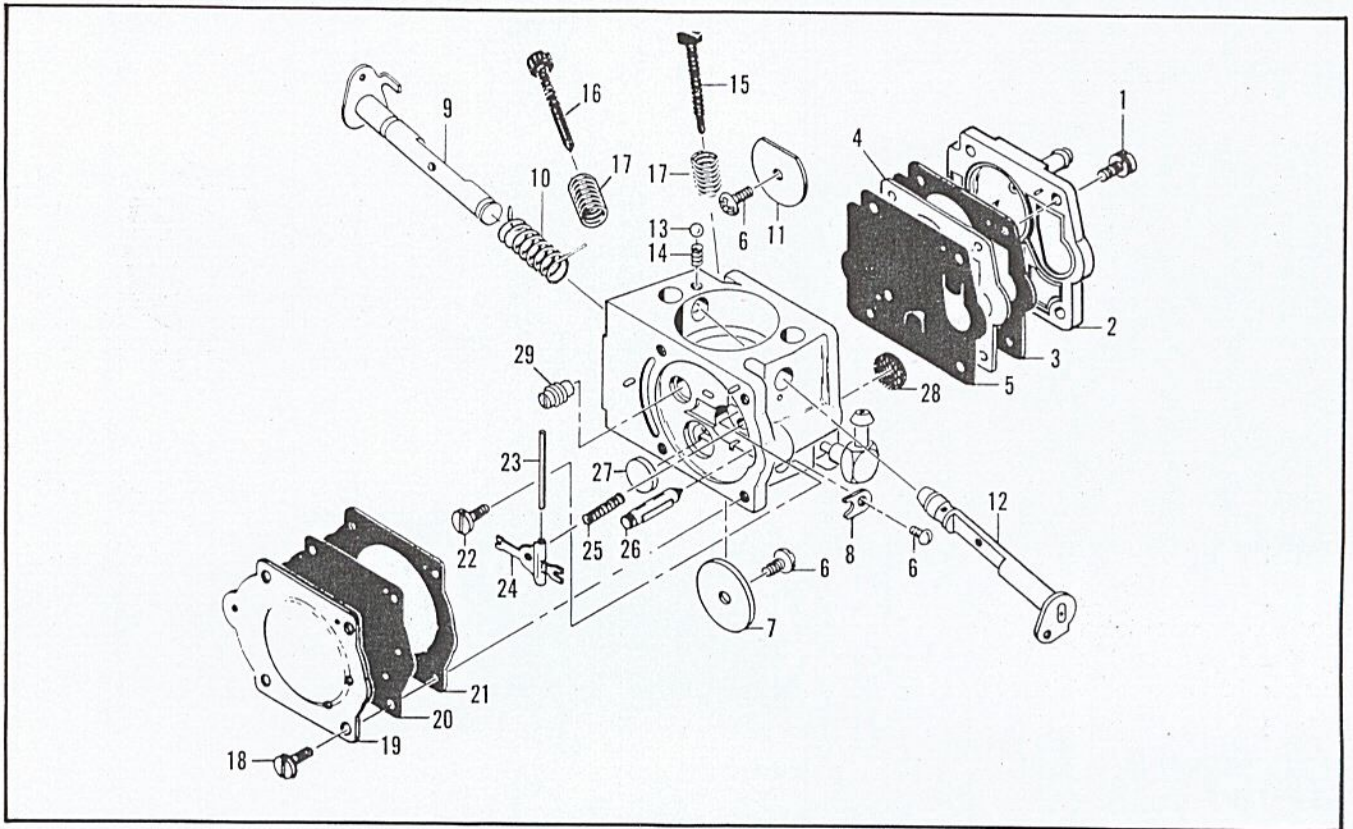


Figure 5. Carburetor Assembly

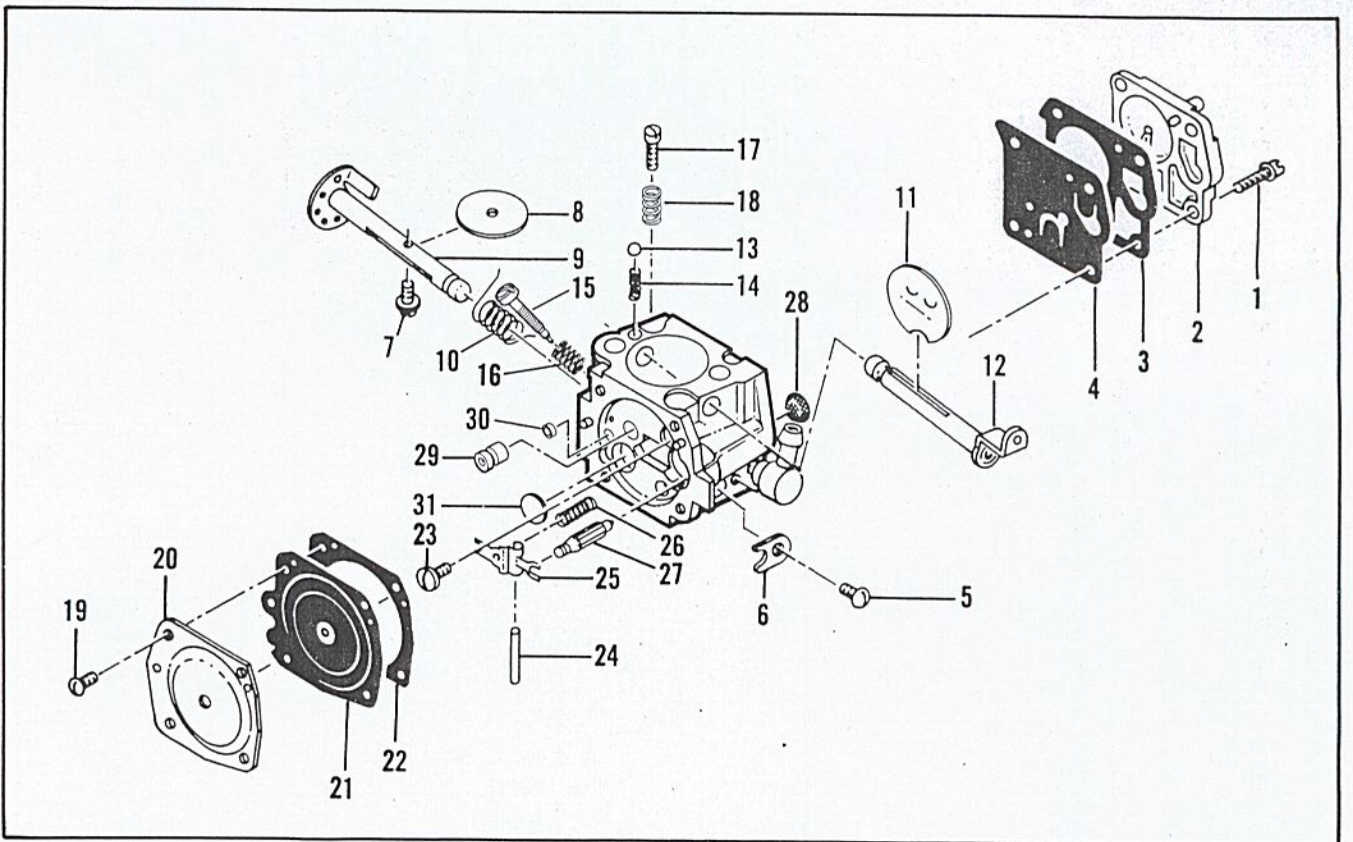


Figure 6. Carburetor Assembly



Figure 5. Carburetor Assembly

Item No.	Part Number	Description	Units Per Assy.
	92031	Carburetor Assembly	1
1	67501	. Screw - Pump cover	4
2	92034	. Cover - Pump	1
3	*67495	. Gasket - Cover	1
4	67498	. Diaphragm - Check valve	1
5	83114	. Diaphragm - Fuel pump	1
6	47690	. Screw - Plate	3
7	83762	. Plate - Throttle	1
8	67489	. Clip - Throttle shaft	1
9	83775	. Shaft Assy - Throttle	1
10	*83777	. Spring - Throttle return	1
11	67490	. Plate - Choke	1
12	83776	. Shaft Assy - Choke	1
13	*10032	. Ball - Choke friction	1
14	*67504	. Spring - Choke friction	1
15	68106	. Screw - Idle speed	1
16	*90345	. Needle - Low speed mix	1
17	67502	. Spring - Needle	2
18	70798	. Screw - Diaphragm cover	4

Item No.	Part Number	Description	Units Per Assy.
19	83761	. Cover - Diaphragm	1
20	67499	. Diaphragm - Metering	1
21	*67496	. Gasket - Diaphragm	1
22	*67500	. Screw - Lever pin	1
23	*67508	. Pin - Inlet lever	1
24	*67509	. Lever - Inlet	1
25	*67503	. Spring - Lever	1
26	*67491	. Valve - Inlet	1
27	*71690	. Plug - 3/8	1
28	*67507	. Screen - Fuel	1
29	90346	. Jet - High speed fuel (032 std.)	1
	90348	Jet - High speed (031)	Alt.
	90349	Jet - High speed (029)	Alt.
	90350	Jet - High speed (028)	Alt.
	90351	Jet - High speed (026)	Alt.
	*88619	Gasket Set	
	88620	Repair Kit	

\* Indicates parts included in Repair Kit, P/N 88620.

NOTE: Serial numbers prefixed 14-: Carburetor, P/N 92031, (SDC) or Carburetor, P/N 87288, (HS 124B) alternate.

Before ordering parts, identify carburetor on saw.

Figure 6. Carburetor Assembly

Item No.	Part Number	Description	Units Per Assy.
	87288	Carburetor Assembly	1
1	52933	. Screw - Pump cover	4
2	83731	. Cover - Pump	1
3	66629	. Gasket - Pump cover	1
4	*66630	. Diaphragm - Fuel pump	1
5	48780	. Screw - Throttle shaft clip	1
6	66646	. Clip - Throttle shaft	1
7	*48780	. Screw - Throttle plate	1
8	51720	. Plate - Throttle	1
9	88773	. Shaft Assy - Throttle	1
10	*67136	. Spring - Throttle shaft	1
11	66639	. Plate - Choke	1
12	83717	. Shaft Assy - Choke	1
13	100071	. Ball - Choke friction	1
14	48759	. Spring - Choke friction	1
15	88768	. Needle - Low speed mix	1
16	*66626	. Spring - Needle	1
17	*66625	. Screw - Idle speed	1
18	*66626	. Spring - Idle speed screw	1
19	61725	. Screw - Diaphragm cover	4
20	66631	. Cover - Diaphragm	1
21	*66632	. Diaphragm - Metering	1
22	66633	. Gasket - Diaphragm	1

Item No.	Part Number	Description	Units Per Assy.
23	*66644	. Screw - Inlet lever pin	1
24	*66636	. Pin - Inlet lever	1
25	*66638	. Lever - Inlet	1
26	66404	. Spring - Inlet lever	1
27	66637	. Needle - Inlet	1
28	*66623	. Screen - Fuel inlet	1
29	88771	. Jet - High speed fuel (029 std.)	1
	88772	Jet - High speed (028)	Alt.
	88781	Jet - High speed (027)	Alt.
	88780	Jet - High speed (026)	Alt.
	88769	Jet - High speed (030)	Alt.
	88770	Jet - High speed (031)	Alt.
30	52928	. Plug - Cup	1
31	*66622	. Plug - Welch	1
	*88774	Gasket Set	
	88775	Repair Kit	

\* Indicates parts included in Repair Kit, P/N 88775.

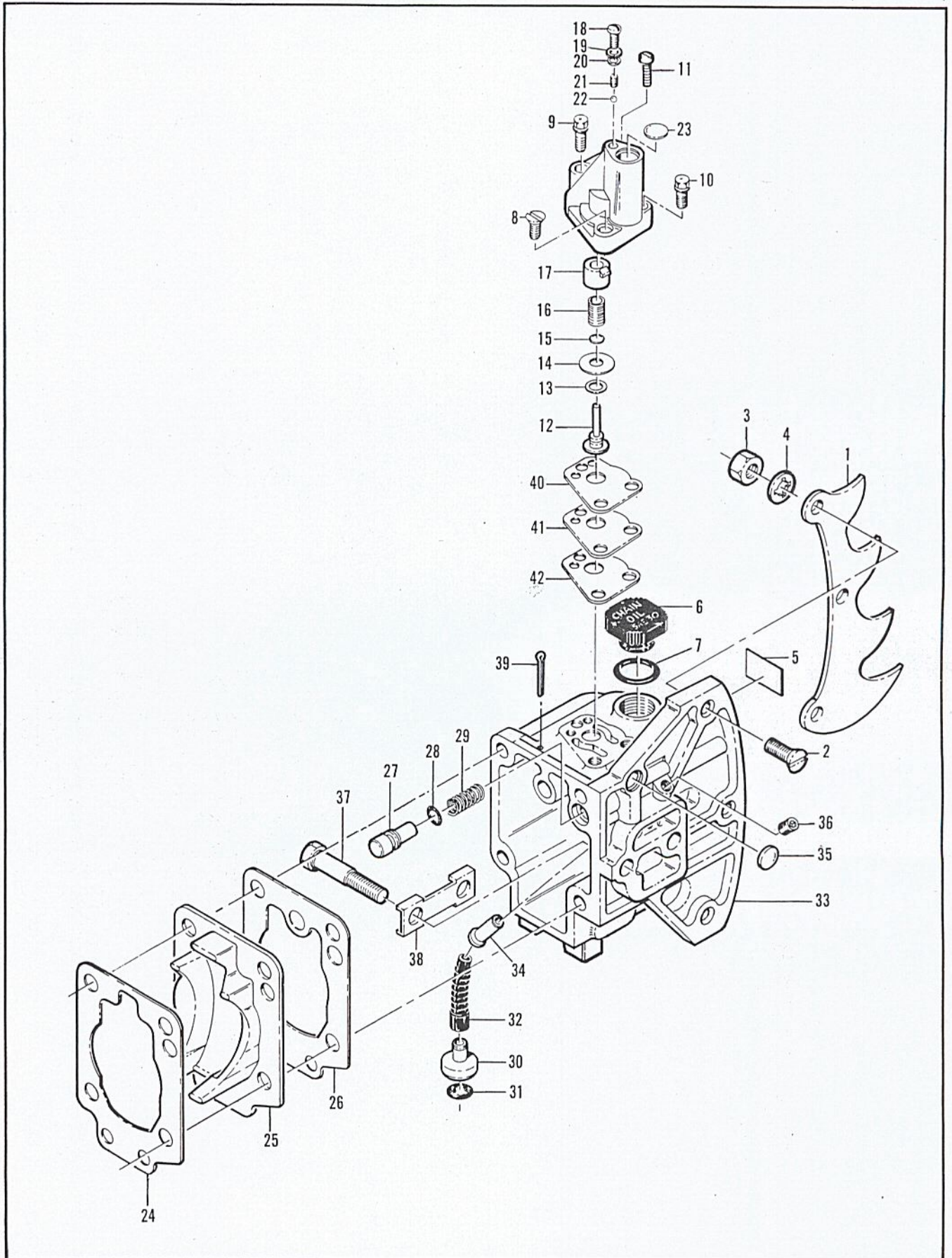


Figure 7. Oiler Tank & Pump Assys

Figure 7. Oiler Tank & Pump Assemblies

Item No.	Part Number	Description	Units Per Assy
1	61331	Kit - Spike	1
2	102088	. Screw - Fil hd 1/4-20 x 3/4	3
3	100152	. Nut - Hex 1/4-20	3
4	100153	. Lockwasher	3
5	-89350	Decal - Oiler	1
6	57129A	Cap - Oil	1
7	101148	"O" Ring	1
8	110245	Screw - Fil hd 10-24 x 3/4	1
9	110257	Screw - Hex hd 10-24 x 1-3/4	1
10	104138	Screw - Hex hd 10-24 x 7/8 (SEMS)	1
	-89498	Pump Assy	1
11	110890	. Screw - Fil hd 10-24 x 7/8	1
12	60260A	. Piston Assy	1
13	60937	. Washer - Piston	1
14	86182	. Ring - Piston	1
15	-105603	. "O" Ring	1
16	86183	. Spring - Piston	1
17	67918	. Sleeve - Adjustment	1
18	60397A	. Screw - Special	1
19	-110613	. Washer - #8 Hard	1
20	60398B	. Washer - Special	1

Item No.	Part Number	Description	Units Per Assy
21	60396B	. Spring - Ball check	1
22	102809	. Ball check	1
23	110157	. Plug - Expansion	1
24	65654	Gasket - Crankcase bottom cover	1
25	86124	Cover - Crankcase bottom	1
26	86125	Gasket - Oiler housing	1
27	63643	Piston - Oiler	1
28	-105617	"O" Ring	1
29	51946	Spring - Piston	1
30	-67569	Weight Assy - oil line	1
31	-67552	. Screen - Oil	1
32	-90995	Hose - Oil pickup	1
33	85392	Housing Assy - Oil	1
34	51982A	. Valve Assy - Check	1
35	-110914	. Plug - Cup	1
36	-91659	. Plug - Pipe	1
37	51423B	. Bolt - Bar	2
38	51439	. Lockplate	1
39	104062	. Pin - Cotter	1
40	86186	. Gasket - Pump	1
41	67471	. Spacer - Pump	1
42	68794	. Gasket - Spacer	1

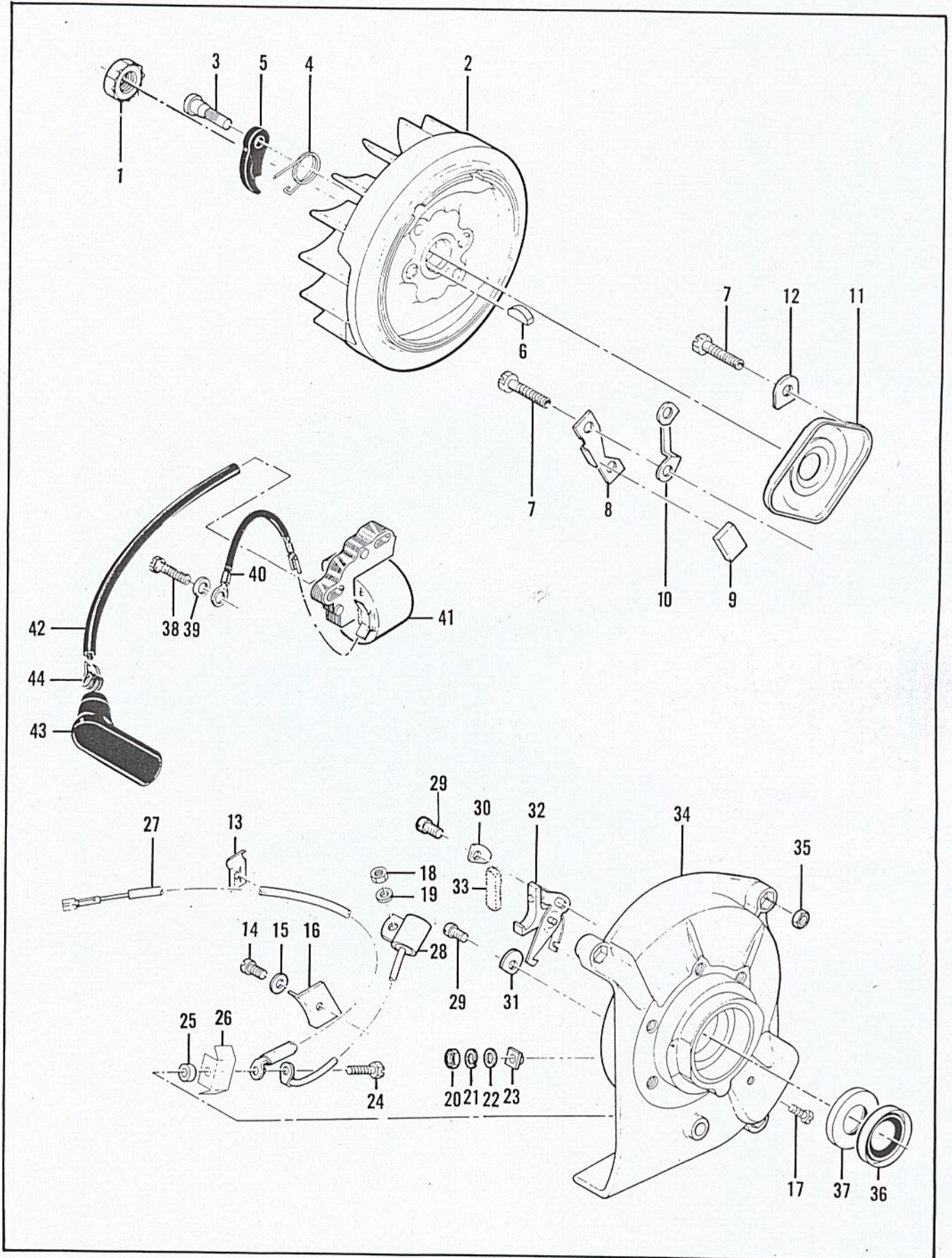


Figure 8. Crankcase Cover and Ignition Assemblies

Figure 8. Crankcase Cover & Ignition Assys.

Item No.	Part Number	Description	Units Per Assy.
1	110655	Nut - Hex 7/16-20	1
2	68282	Flywheel & Pawl Assy	1
3	36144B	. Pin - Pawl	2
4	66351	. Spring - Pawl	2
5	24093	. Pawl - Starter	2
6	-100106	Key - Woodruff	1
7	-110866	Screw - Hex hd 10-24 x 3/4	6
8	57815	Strap - Seal	1
9	50664	Seal - Breaker box	1
10	55977	Clip - Cover	2
11	55766B	Cover - Breaker box	1
12	36388	Lockplate	1
13	104230	Nut - Speed	1
14	110055	Screw - Filhd 8-32 x 3/8 (SEMS)	1
15	100080	Washer - #8	1
16	57829	Clamp - Ignition wire	1
17	103748	Screw - Hexhd 8-32 x 1/2	1
18	100251	Nut - Hex 8-32	1
19	100057	Lockwasher - #8	1
20	104551	Nut - Hex 8-32	1
21	104553	Lockwasher - #8	1
22	100080	Washer - #8	1

Item No.	Part Number	Description	Units Per Assy.
23	57770A	Insulator - Breaker spring	1
24	110338	Screw - Hex hd 8-32 x 9/16	1
25	57769	Insulator - Ignition screw	1
26	55782A	Insulator - Breaker terminal	1
27	63628	Wire Assy - Primary	1
28	85358	Condenser	1
29	104733	Screw - Filhd 8-32 x 1/2 (SEMS)	2
30	57767A	Lockplate	1
31	55778E	Washer - Breaker retainer	1
32	-88807	Breaker Assembly	1
33	54184	Wiper - Oil	1
34	84193	Cover Assy - Crankcase	1
35	101326	. Nut - Hex 10-24	3
36	57898	. Seal - Oil	1
37	57897	. Seal - Oil	1
38	110713	Screw - Skt hd 10-24 x 7/8	2
39	83745	Washer - Special	2
40	63639	Wire Assy - Ground	1
41	85243	Coil & Lamination Assy	1
42	-50120	. Wire Assy - Spark plug	1
43	-55060	. . Boot - Spark plug	1
44	-55061	. . Connector - Spark plug	1

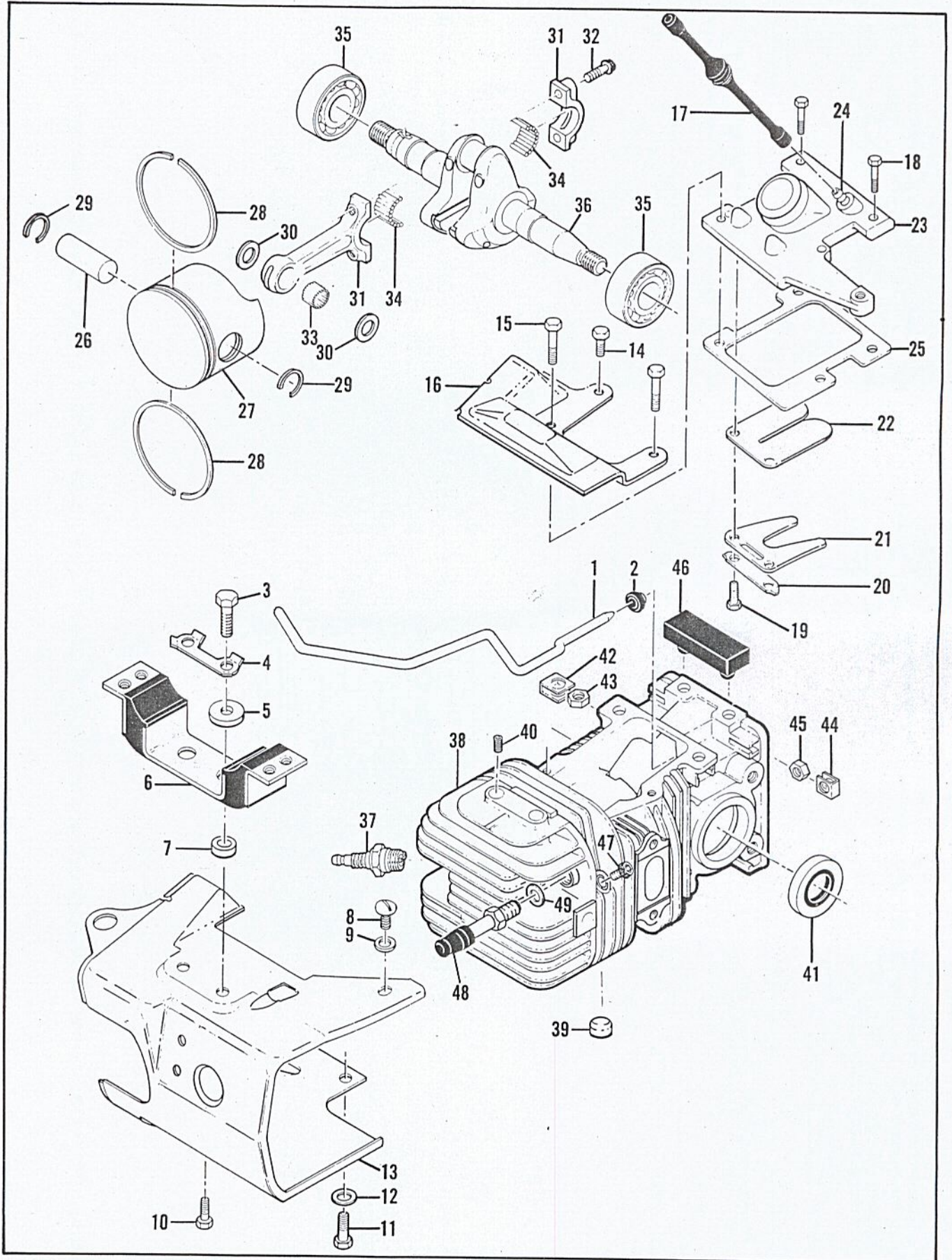


Figure 9. Powerhead & Shroud Assys

Figure 9. Powerhead & Shroud Assemblies

Item No.	Part Number	Description	Units Per Assy.
1	69460	Pushrod - Oiler	1
2	57736	Seal - Pushrod	1
3	102761	Screw - Hexhd 10-24 x 7/8	2
4	69654	Lockplate	1
5	69417	Washer - Insulator	2
6	85896	Mount - Rear	1
7	85261	Spacer - Insulator	2
8	104393	Screw - Pan hd 10-24 x 3/8	1
9	100003	Washer - #10	1
10	104950	Screw - Hex hd 10-24 x 5/8	1
11	102861	Screw - Hexhd 1/4-20 x 5/8	2
12	100005	Washer - 1/4	2
13	-91106	Shroud	1
14	110581	Screw - Hex hd 10-24 x 5/16	1
15	110748	Screw - Hexhd 10-24 x 1	2
16	85421	Baffle - Fan	1
17	-88759	Hose - Pulse line	1
18	110621	Screw - Hex hd 10-24 x 3/4 (SEMS)	2
	85156	Manifold & Reed Assy	1
19	103748	. Screw - Hexhd 8-32 x 1/2	2
20	69501	. Lockplate	1
21	-86294	. Stop - Reed	1
22	-86293	. Valve - Reed	1
23	85235	. Manifold & Pulse fitting	1
24	69600	. . Fitting - Pulse	1

Item No.	Part Number	Description	Units Per Assy.
25	69526	Gasket - Manifold	1
26	-89204	Pin - Piston	1
27	85539	Piston Assembly	1
28	85608	. Ring Set	1
29	85273	. Ring - Retaining	2
30	85266	Washer - Thrust	2
31	-88623	Connecting Rod Assy	1
32	110720	. Screw - Spline hd special	2
33	85607	. Roller - Needle (Set of 22)	1
34	85420	. Roller - Needle	24
35	66016	Bearing - Ball	2
36	85476	Crankshaft	1
37	63432	Spark Plug	1
38	-91110	Crankcase Assembly	1
39	110685	. Plug - Cup	3
40	83374	. Insert	2
41	104432	. Seal - Oil	1
42	28053	. Retainer - Nut	2
43	101326	. Nut - Hex 10-24	2
44	18556A	. Retainer - Nut	6
45	105394	. Nut - Hex 1/4-20	6
46	69872	. Snubber - Fuel tank	1
47	110681	. Screw - Skt hd 10-24 x 1/4	1
48	85148	Valve - Comp. rel.	1
49	85505	Washer - Valve	1

Accessories

Part Number	Description
64797	Wrench - Spark plug
61040	Wrench - Combination
85584	Socket - Extension
85583	Key - Splined socket
65712	Guide - Timing
68256	Kit - Split bearing retainer
84688	Kit - Spark arrester baffle

Part Number	Description
85108	. Retainer - Baffle
85463	Kit - Preheater
86351	Kit - Fuel cap cover
83463	Kit - Gas & Go
85376	Kit - Spark plug cover
85322	Kit - Fanhousing & cover
65778	Spark Plug - AC CS 41T