

| Models | Serial Number Prefix |
|---------|----------------------|
| 600076 | 10-, 11- |
| 600076A | 11-, 12- |
| 600076B | 11-, 12- |
| 600076D | 11-, 12- |
| 600076J | 11-, 12- |

SP 125 CHAIN SAW

ILLUSTRATED PARTS LIST

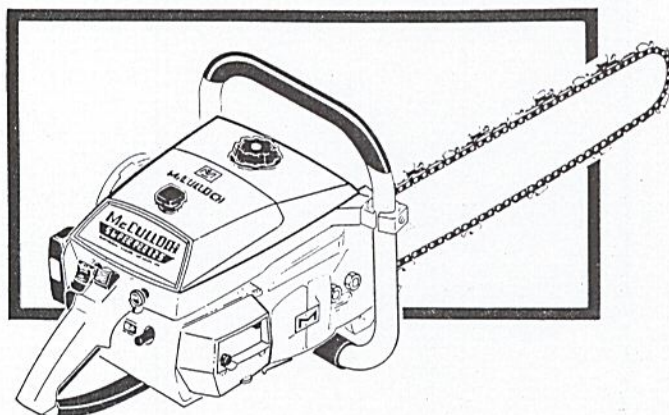
SP 125 chain saws are identified by a model number (600076) followed by a suffix letter (A, B, D, etc.) stamped on the identification plate attached to the saw. Suffix letters denote variations in parts or assemblies in manufacture of the saw.

Part numbers listed in this I. P. L. which have a suffix letter or letters following the description, indicate the part is used only on the model identified by that letter or letters.

Part numbers and descriptions without suffix letter or letters apply to all models of the SP 125 saw unless specifically noted otherwise.

The policy of McCulloch Corporation is one of continual improvement in design, manufacturing and engineering advancement wherever possible to assure still finer two-cycle power tools. Hence, specifications, equipment, colors, design and manufacturer's suggested list prices are subject to change without notice and McCulloch Corporation reserves the right to make such changes without prior notification or obligation to backfit or supply backfit components for units previously shipped from the factory.

I.P.L. 87295 supersedes and cancels
I.P.L. 86408



SEPTEMBER 1972

| | Page |
|--|------|
| Figure 1. General..... | 2 |
| Figure 2. Clutch Guard & clutch Assemblies .. | 4 |
| Figure 3. Fan Housing & Starter Assembly .. | 5 |
| Figure 4. Fuel Tank Assembly.... | 6 |
| Figure 5. Carburetor Assembly... 8 | 8 |
| Figure 6. Carburetor Assembly... 8 | 8 |
| Figure 7. Oiler Tank & Pump Assemblies .. | 10 |
| Figure 8. C'case Cover & Ignition Assemblies .. | 12 |
| Figure 9. Powerhead & Shroud Assemblies | 14 |



McCULLOCH

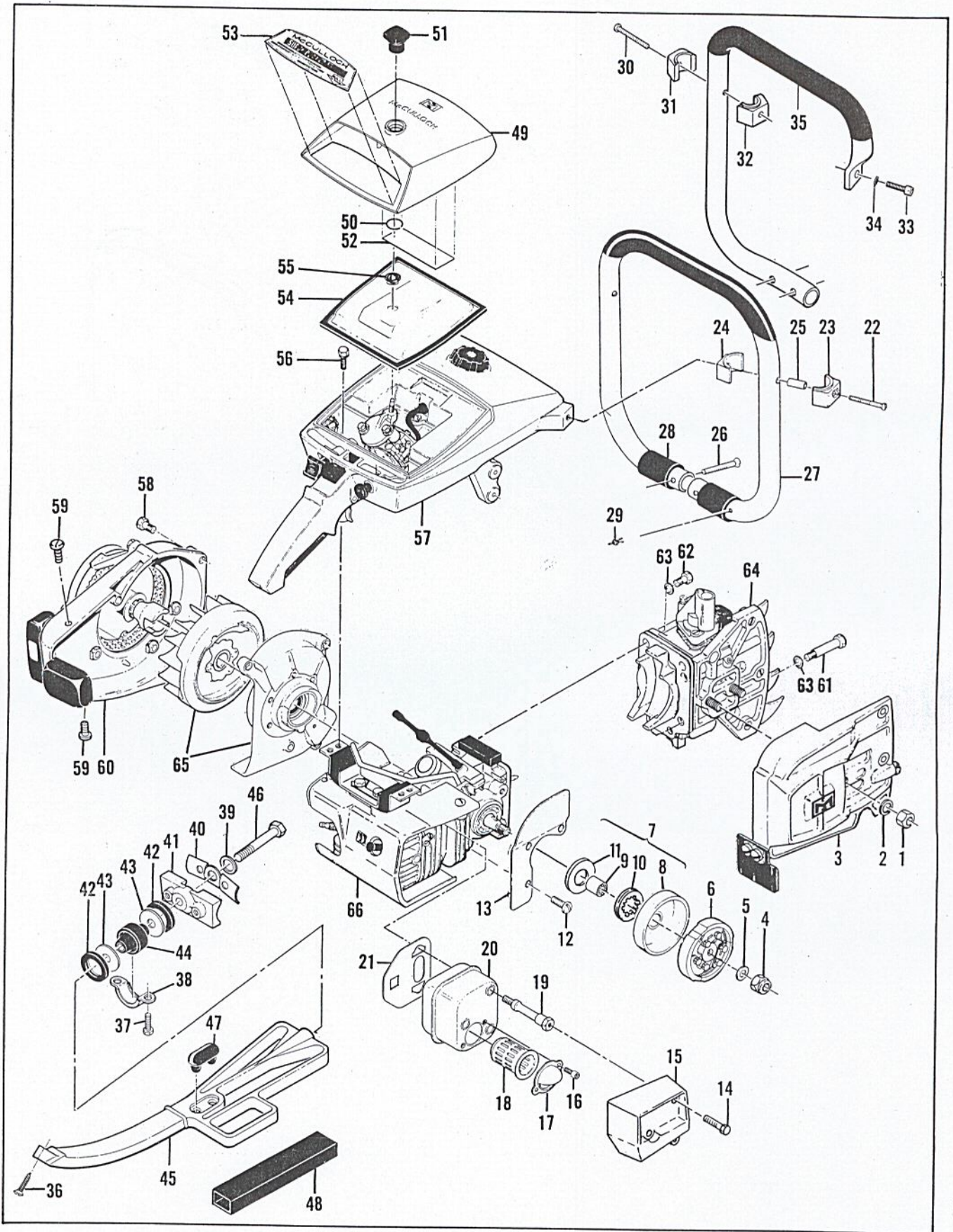


Figure 1. General

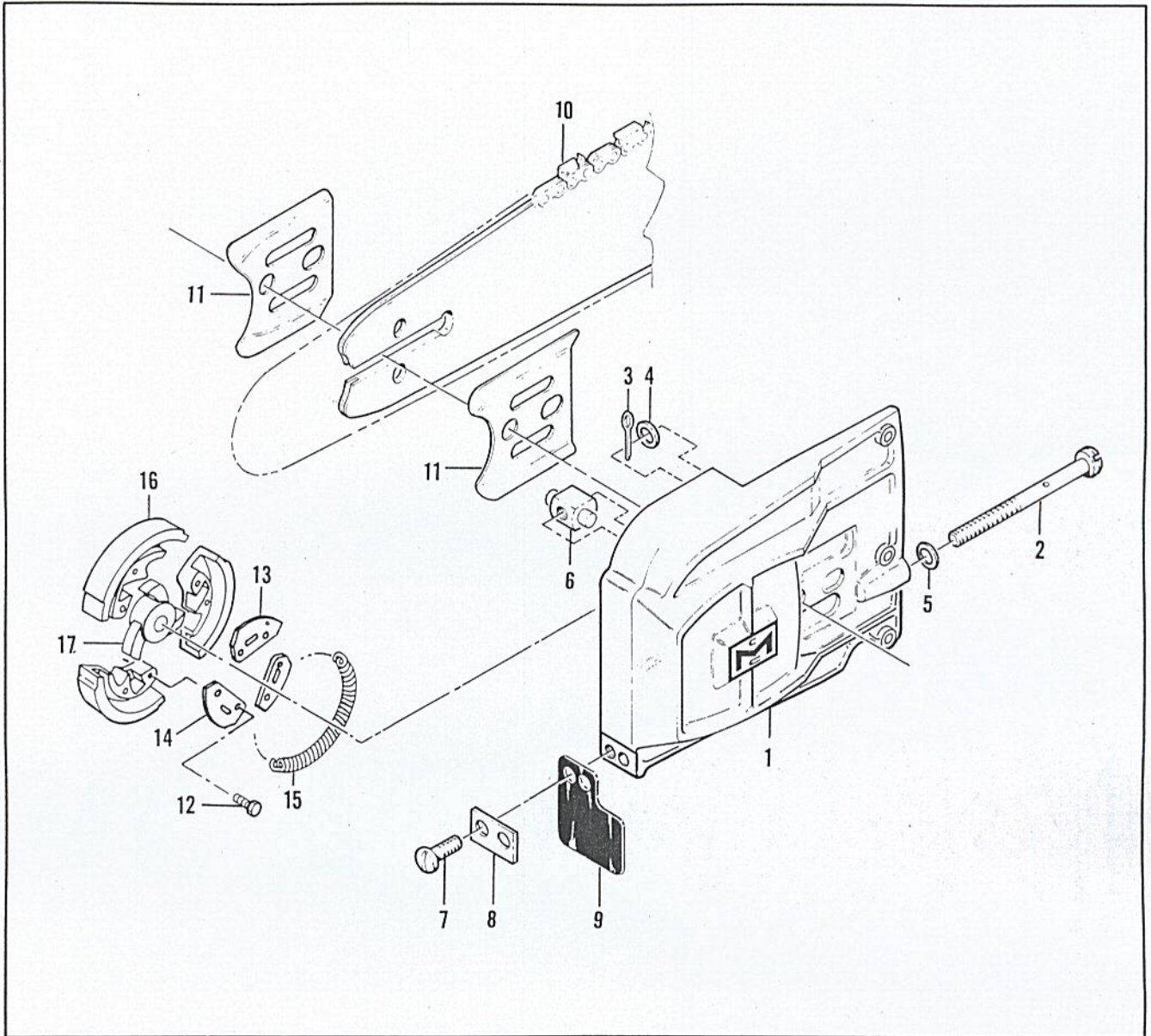
FIGURE 1. GENERAL

| Item No. | Part Number | Description | Units Per Assy |
|----------|-------------|--|----------------|
| 1 | 110625 | Nut - Hex 3/8-24 | 2 |
| 2 | 84623 | Washer - Special | 2 |
| 3 | | Clutch Guard Assy (See Figure 2) | |
| 4 | 86113 | Nut - Hex 3/8-24 (L. H.) | 1 |
| 5 | 100006 | Washer - 3/8 (S/N Prefix 10- only) | 1 |
| 6 | | Clutch Assy (See Figure 2) | 1 |
| 7 | 86350 | Kit - Drum, Sprocket, Bearing (A) | 1 |
| | 86340 | Kit - Drum, Sprocket, Bearing (B, D, J) | 1 |
| 8 | 86343 | . Drum & Bearing Assy | 1 |
| 9 | -87111 | . . Bearing - Sprocket | 1 |
| 10 | -86342 | . Sprocket - 7-T .404 (A) | 1 |
| | 86341 | . Sprocket - 8-T .404 (B, D, J) | 1 |
| 11 | 86366 | . Washer - Sprocket | 1 |
| 12 | 104133 | Screw - Pan hd 1/4-20 x 5/8 (SEMS) | 3 |
| 13 | 69464 | Jacket - Cylinder | 1 |
| 14 | 110717 | Screw - Hex hd 10-32 x 3/4 | 3 |
| 15 | 85459 | Guard - Muffler | 1 |
| | 85388 | Kit - Muffler | 1 |
| 16 | 110664 | . Screw - Skt hd 10-24 x 3/8 | 2 |
| 17 | 84203 | . Deflector - Exhaust | 1 |
| 18 | 84690 | . Baffle - Muffler | 1 |
| 19 | 85121 | . Screw - Shoulder | 3 |
| 20 | 85117 | . Muffler Assy | 1 |
| 21 | 85116 | . Gasket - Muffler | 1 |
| 22 | 110605 | Screw - Oval hd 10-24 x 2 (A, D, J) | 2 |
| 23 | 69994 | Collar - Frame (A, D, J) | 2 |
| 24 | 69995 | Collar - Frame (A, D, J) | 2 |
| 25 | 69524 | Bushing - Frame (A, D, J) | 2 |
| 26 | 110606 | Screw - Oval hd 10-24 x 1-1/4 (A, D, J) | 2 |
| 27 | 69468 | Frame & Grip Assy (A, D, J) | 1 |
| 28 | 69885 | Protector - Frame (A, D, J) | 2 |
| 29 | 84795 | Rivet - Stop (A, D, J) | 2 |
| 30 | -110605 | Screw - Oval hd 10-24 x 2 (B) | 1 |

| Item No. | Part Number | Description | Units Per Assy |
|----------|-------------|--|----------------|
| 31 | -69994 | Collar - Frame (B) | 1 |
| 32 | -69995 | Collar - Frame (B) | 1 |
| 33 | -110714 | Screw - Skt hd 10-24 x 3/4 (B) | 1 |
| 34 | -24236 | Washer - Special (B) | 1 |
| 35 | -86106 | Frame & Grip Assy (B) | 1 |
| 36 | 101986 | Screw - Oval hd 10-24 x 1 | 1 |
| 37 | 104950 | Screw - Hex hd 10-24 x 5/8 | 2 |
| 38 | 83819 | Clamp - Lower mount | 1 |
| 39 | 102115 | Washer - 1/4 | 1 |
| 40 | 85581 | Lockplate | 1 |
| 41 | 85220 | Bracket - Lower mount | 1 |
| 42 | 84661 | Grommet | 2 |
| 43 | 110845 | Washer - Grommet | 2 |
| 44 | 85898 | Mount - Lower | 1 |
| 45 | 86302 | Kit - Handle brace | 1 |
| 46 | 86301 | . Bolt - Handle brace | 1 |
| 47 | 69883 | Bumper - Brace | 1 |
| 48 | 85651 | Sleeve - Brace | 1 |
| 49 | 85092 | Cover Assy - Air cleaner | 1 |
| 50 | 110565 | . Ring - Retaining | 1 |
| 51 | 68529 | . Knob - Cover | 1 |
| 52 | 86198 | Plate - Instruction | 1 |
| 53 | 86116 | Nameplate | 1 |
| 54 | 69100 | Filter - Air | 1 |
| 55 | 68528 | . Grommet - Filter | 1 |
| 56 | 104950 | Screw - Hex hd 10-24 x 5/8 (SEMS) | 4 |
| 57 | | Fuel Tank Assy (See Figure 4) | |
| 58 | 104816 | Screw - Hex hd 10-24 x 1-1/4 (SEMS) | 3 |
| 59 | 102500 | Screw - Pan hd 10-24 x 1/2 | 2 |
| 60 | | Fan Housing & Starter Assy (See Figure 3) | |
| 61 | 102127 | Screw - Hex hd 1/4-20 x 3-1/4 | 2 |
| 62 | 103258 | Screw - Hex hd 1/4-20 x 1-1/8 | 2 |
| 63 | 100005 | Washer - 1/4 | 4 |
| 64 | | Oiler Housing Assy (See Figure 4) | |
| 65 | | Crankcase Cover & Ignition Assys (See Figure 8) | |
| 66 | | Powerhead & Shroud Assys (See Figure 9) | |

Part numbers which have changed since the previous printing of the illustrated parts list covering these saws, are indicated by a dash (-) preceding the new part number.

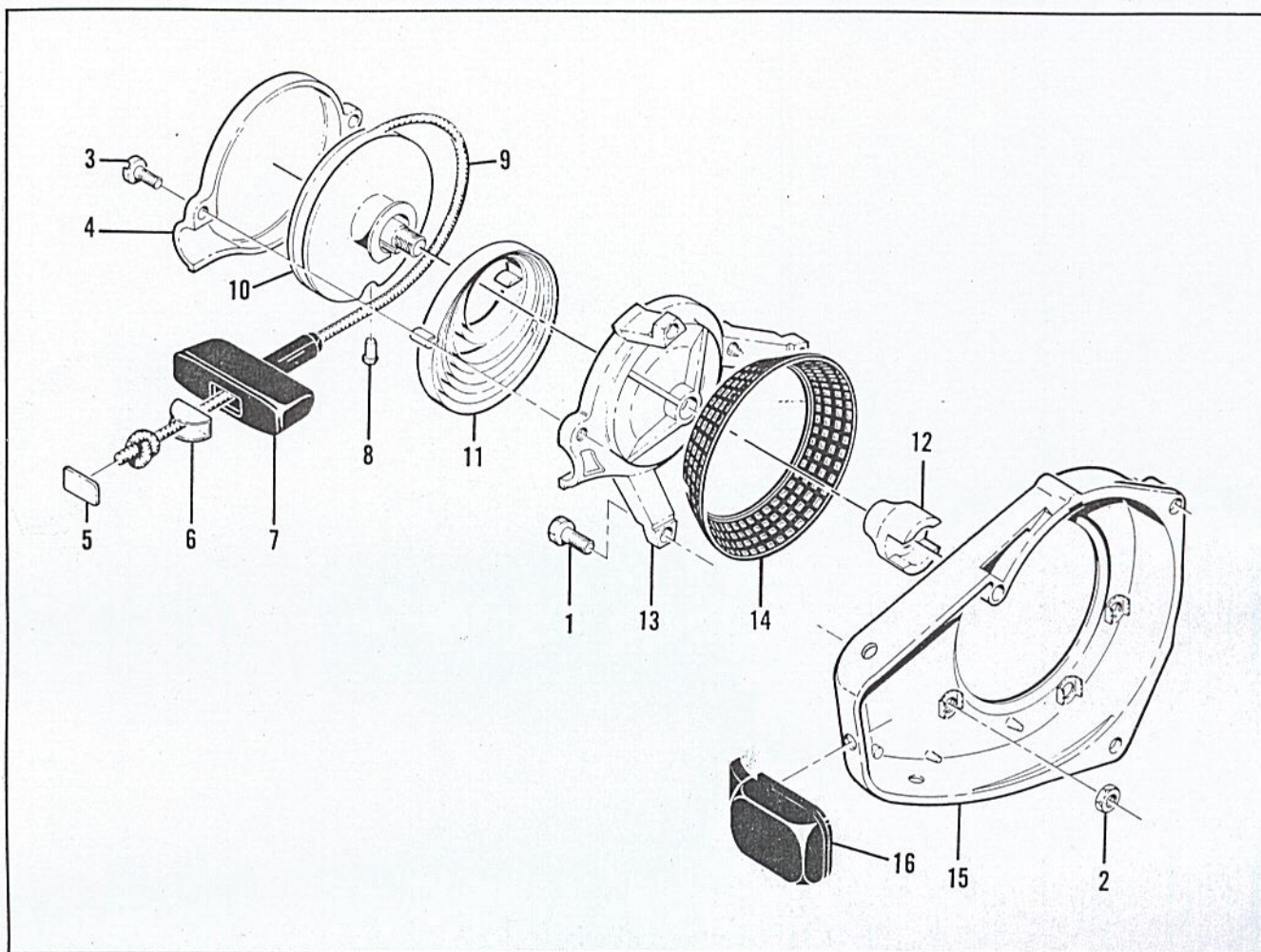
FIGURE 2. CLUTCH GUARD AND CLUTCH ASSEMBLIES



| Item No. | Part Number | Description | Units Per Assy |
|----------|-------------|---------------------------|----------------|
| 1 | 85547 | Clutch Guard Assy | 1 |
| 2 | 62057 | . Screw - Adjustment | 1 |
| 3 | 105686 | . Pin - Cotter | 1 |
| 4 | 100004 | . Washer - 1/4 | 1 |
| 5 | 100005 | . Washer - 1/4 | 1 |
| 6 | 52207C | . Nut - Bar adjustment | 1 |
| 7 | 110041 | Screw - Pan hd 8-32 x 1/2 | 2 |
| 8 | 69492 | Retainer - Deflector | 1 |
| 9 | 69477 | Deflector - Saw dust | 1 |
| 10 | | Bar & Chain Assys | 1 |

| Item No. | Part Number | Description | Units Per Assy |
|----------|-------------|-----------------------------|----------------|
| 11 | 64935 | Plate - Bar | 2 |
| | -86466 | Clutch Assy | 1 |
| 12 | -110850 | . Screw - Hex hd 8-32 x 1/2 | 6 |
| 13 | 86409 | . Plate Assy - Retainer | 1 |
| 14 | 85363 | . Plate - Retainer | 2 |
| 15 | 86079 | . Spring - Clutch | 1 |
| 16 | -86465 | . Shoe - Clutch | 3 |
| 17 | 86112 | . Rotor - Clutch | 1 |

FIGURE 3. FAN HOUSING AND STARTER ASSEMBLY



| Item No. | Part Number | Description | Units Per Assy |
|----------|-------------|-----------------------------------|----------------|
| 1 | 104815 | Screw - Hex hd 10-24 x 7/8 (SEMS) | 3 |
| 2 | 101326 | Nut - Hex 10-24 | 3 |
| | 85323 | Starter Assy | 1 |
| 3 | 104396 | . Screw - Pan hd 10-24 x 3/4 | 2 |
| 4 | 60647 | . Cover - Starter | 1 |
| 5 | 57232 | . Plate - Starter handle | 1 |
| 6 | 57231 | . Cup - Handle | 1 |
| 7 | 57230 | . Handle - Starter | 1 |

| Item No. | Part Number | Description | Units Per Assy |
|----------|-------------|----------------------|----------------|
| 8 | 101136 | . Rivet - Rope | 1 |
| 9 | 28716 | . Rope - Starter | 1 |
| 10 | 57792 | . Drum - Starter | 1 |
| 11 | 51665 | . Spring - Rewind | 1 |
| 12 | 84177 | . Ratchet - Starter | 1 |
| 13 | 84212 | . Base - Starter | 1 |
| 14 | 84629 | Guard - Sawdust | 1 |
| 15 | 85317 | Housing - Fan | 1 |
| 16 | 85376 | . Cover - Spark plug | 1 |

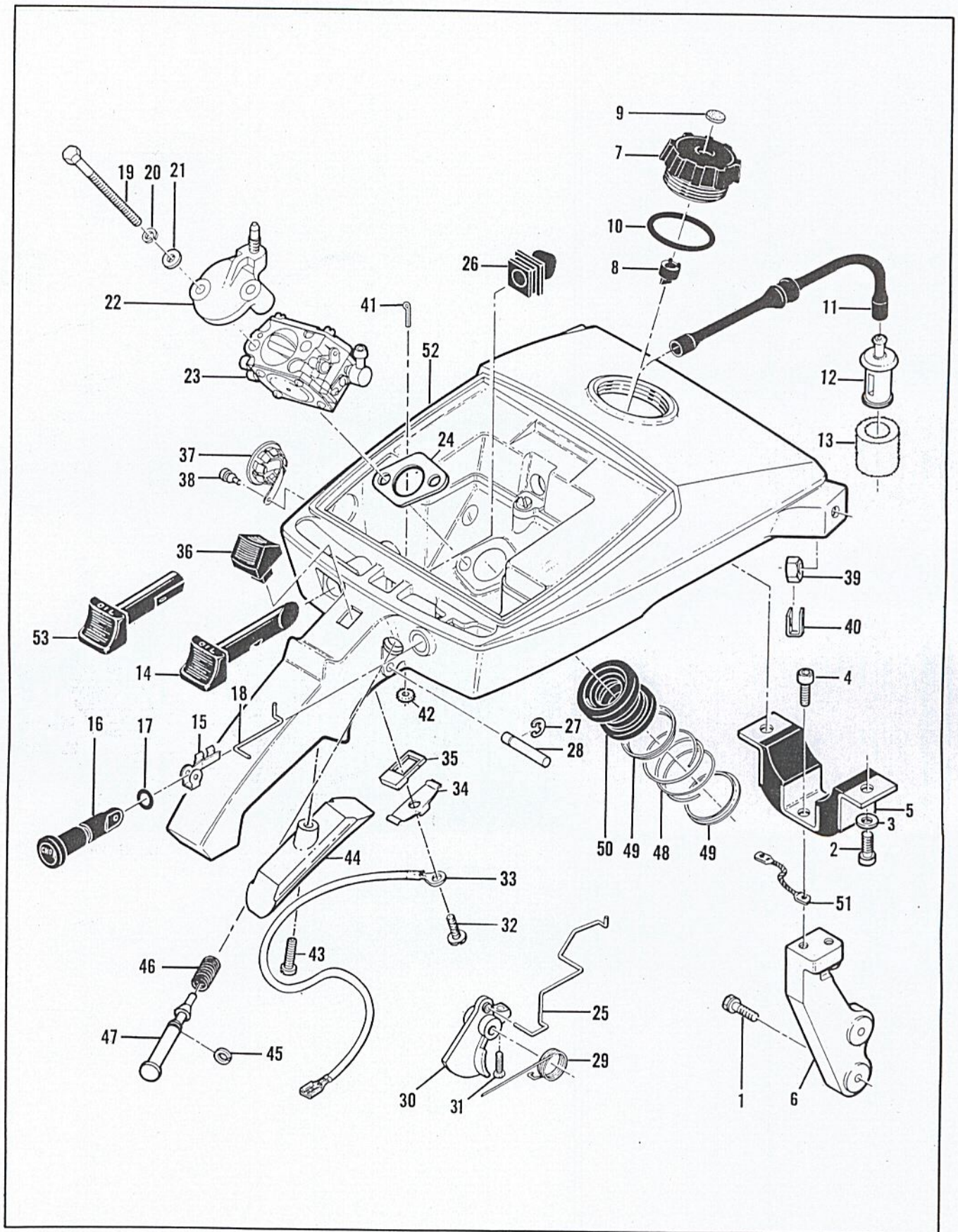


Figure 4. Fuel Tank Assembly

FIGURE 4. FUEL TANK ASSEMBLY

| Item No. | Part Number | Description | Units Per Assy |
|----------|-------------|---------------------------------------|----------------|
| 1 | 110621 | Screw - Hex hd 10-24 x 3/4 (SEMS) | 2 |
| 2 | 104895 | Screw - Skt hd 10-24 x 5/8 | 2 |
| 3 | 83745 | Washer - Special | 2 |
| 4 | 104895 | Screw - Skt hd 10-24 x 5/8 | 2 |
| 5 | 85897 | Mount - Front | 1 |
| 6 | 69422 | Bracket - Mount | 1 |
| 7 | 55934B | Cap Assy - Fuel | 1 |
| 8 | 53766A | . Valve Assy - Check | 1 |
| 9 | 55063 | . Seal - Capillary | 1 |
| 10 | 101348 | "O" Ring | 1 |
| 11 | 69312 | Hose - Fuel | 1 |
| 12 | 53679B | Pickup Assy - Fuel | 1 |
| 13 | 61159 | . Filter - Fuel | 1 |
| 14 | ① 69495 | Button - Oiler | 1 |
| 15 | 69442 | Retainer - Choke rod | 1 |
| 16 | 69471 | Button - Choke | 1 |
| 17 | 101056 | "O" Ring | 1 |
| 18 | 69443 | Rod - Choke | 1 |
| 19 | 110614 | Screw - Hex hd 10-24 x 2-3/8 | 2 |
| 20 | 103174 | Lockwasher - #10 | 2 |
| 21 | 24236 | Washer - Special | 2 |
| 22 | 69152 | Anchor Assy - Air cleaner | 1 |
| 23 | | Carburetor Assy (See Figures 5 and 6) | |
| 24 | 86189 | Gasket - Carburetor | 1 |
| 25 | ② 84119 | Rod - Throttle | 1 |
| | ③ 86149 | Rod - Throttle | 1 |
| 26 | 69525 | Grommet - Throttle rod | 1 |

| Item No. | Part Number | Description | Units Per Assy |
|----------|-------------|----------------------------------|----------------|
| 27 | 104501 | Retainer - Trigger pin | 1 |
| 28 | 69465 | Pin - Trigger | 1 |
| 29 | 69466 | Spring - Trigger | 1 |
| 30 | ② 84121 | Trigger | 1 |
| | ③ 86150 | Trigger | 1 |
| 31 | 110587 | Screw - Fil hd 8-36 x 1/2 | 1 |
| 32 | 110597 | Screw - Pan hd 8-32 x 1/2 (SEMS) | 1 |
| 33 | 83661 | Wire Assy - Stop switch | 1 |
| 34 | 62451 | Contact - Switch | 1 |
| 35 | 62950A | Base - Switch | 1 |
| 36 | 68846 | Button - Switch | 1 |
| 37 | ① 51396A | Cover Assy & Adjustment | 1 |
| 38 | ① 69360 | Plug - Cover Assy | 1 |
| 39 | 101326 | Nut - Hex 10-24 | 2 |
| 40 | 28053 | Retainer - Nut | 2 |
| 41 | 104310 | Pin - Cotter | 1 |
| 42 | 69352 | Washer - Felt | 1 |
| 43 | 110724 | Screw - Fil hd 10-24 x 1 | 1 |
| 44 | 85660 | Insert - Handle | 1 |
| 45 | 101289 | Ring - Retaining | 1 |
| 46 | 84214 | Spring - Throttle latch | 1 |
| 47 | ② 84213 | Button - Throttle latch | 1 |
| | ③ 86151 | Button - Throttle latch | 1 |
| 48 | 69565 | Spring - Connector | 1 |
| 49 | 69371 | Ferrule - Connector | 2 |
| 50 | 69889 | Connector | 1 |
| 51 | 86365 | Strap - Ground | 1 |
| 52 | ①-87289 | Kit - Tank Assy | 1 |
| | ④-87280 | Tank Assy | 1 |
| 53 | ④-87285 | . Button - Oiler | 1 |

- ① Used on saws with serial numbers prefixed 10-, 11-.
 ② Used on saws with serial numbers prefixed 10-.
 ③ Used on saws with serial numbers prefixed 11-, 12-.
 ④ Used on saws with serial numbers prefixed 12-.

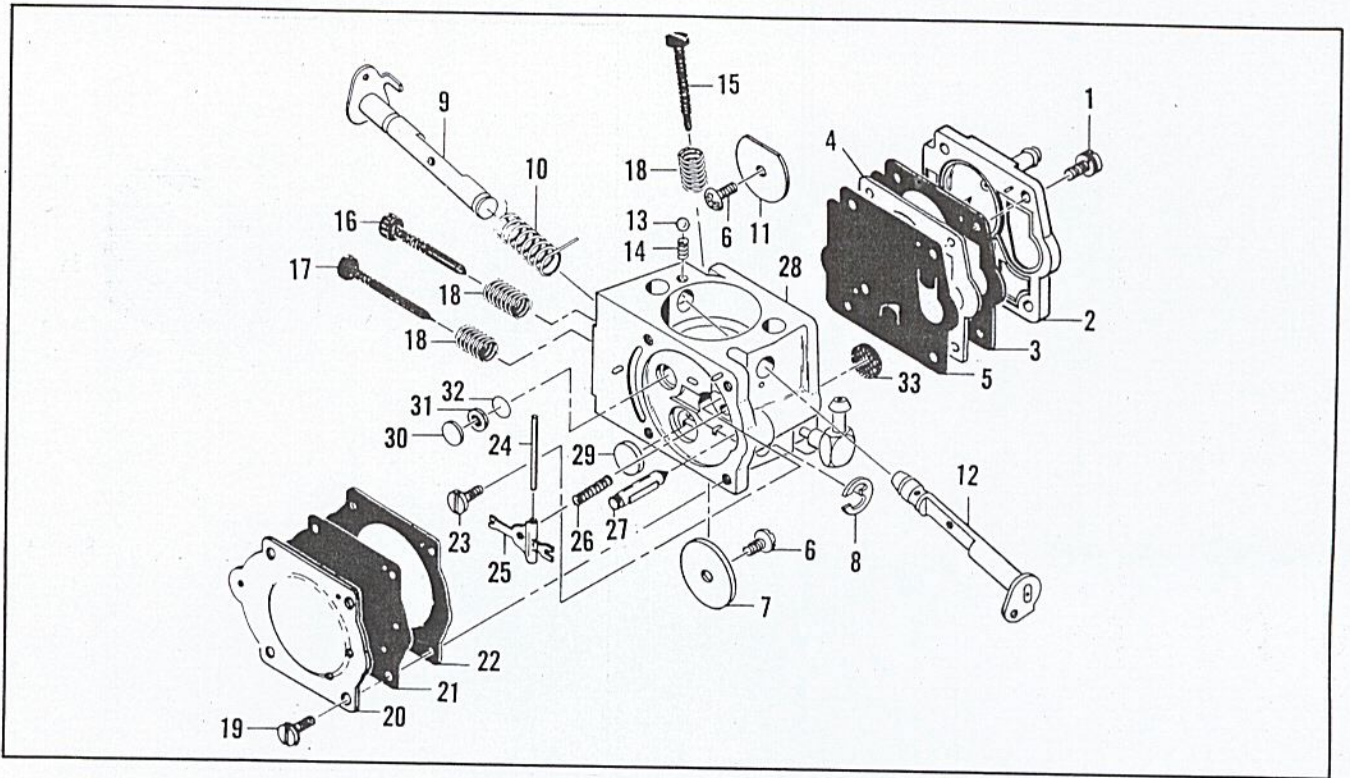


Figure 5. Carburetor Assembly

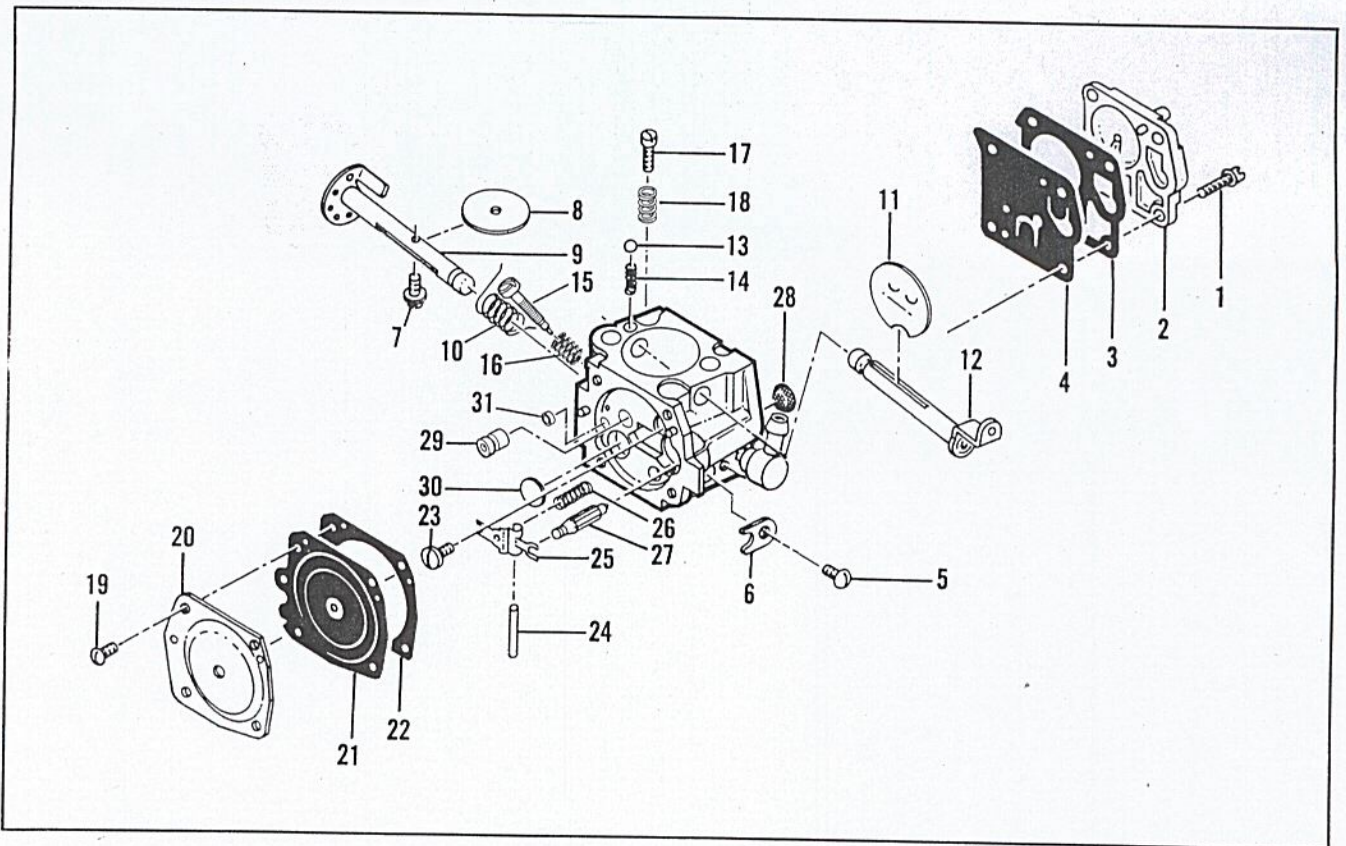


Figure 6. Carburetor Assembly

FIGURE 5. CARBURETOR ASSEMBLY

| Item No. | Part Number | Description | Units Per Assy |
|----------|-------------|----------------------------|----------------|
| ① | 83550 | Carburetor Assy | 1 |
| 1 | 67501 | . Screw - Pump cover | 4 |
| 2 | 83774 | . Cover - Pump | 1 |
| 3 | *67495 | . Gasket - Cover | 1 |
| 4 | *67498 | . Diaphragm - Check valve | 1 |
| 5 | 83114 | . Diaphragm - Fuel pump | 1 |
| 6 | 47690 | . Screw - Plate | 2 |
| 7 | 83762 | . Plate - Throttle | 1 |
| 8 | 84198 | . Ring - Retaining | 1 |
| 9 | 83775 | . Shaft Assy - Throttle | 1 |
| 10 | *83777 | . Spring - Throttle return | 1 |
| 11 | 67490 | . Plate - Choke | 1 |
| 12 | 83776 | . Shaft Assy - Choke | 1 |
| 13 | *100302 | . Ball - Choke friction | 1 |
| 14 | *67504 | . Spring - Choke friction | 1 |
| 15 | 68106 | . Screw - Idle speed | 1 |
| 16 | *84189 | . Needle - High speed | 1 |
| 17 | *68105 | . Needle - Idle | 1 |

| Item No. | Part Number | Description | Units Per Assy |
|----------|-------------|---------------------------|----------------|
| 18 | *67502 | . Spring - Needle | 3 |
| 19 | 70798 | . Screw - Diaphragm cover | 4 |
| 20 | 83761 | . Cover - Diaphragm | 1 |
| 21 | *67499 | . Diaphragm - Metering | 1 |
| 22 | *67496 | . Gasket - Diaphragm | 1 |
| 23 | *67500 | . Screw - Lever pin | 1 |
| 24 | *67508 | . Pin - Inlet lever | 1 |
| 25 | *67509 | . Lever - Inlet | 1 |
| 26 | *67503 | . Spring - Lever | 1 |
| 27 | *67491 | . Valve - Needle | 1 |
| 28 | 83773 | . Body Assy - Carburetor | 1 |
| 29 | *71690 | . Plug - 3/8 | 1 |
| 30 | *69506 | . Plug - 5/16 | 1 |
| 31 | 69203 | . Seat Assy | 1 |
| 32 | 69204 | . Valve | 1 |
| 33 | *67507 | . Screen - Fuel | 1 |
| | *67482 | Gasket Set | |
| | 83778 | Repair Kit | |

*Indicates parts included in Repair Kit, P/N 83778.
 ① Serial numbers prefixed 10-, 11-. See Note ② below.

FIGURE 6. CARBURETOR ASSEMBLY

| Item No. | Part Number | Description | Units Per Assy |
|----------|-------------|--------------------------------|----------------|
| ② | 87288 | Carburetor Assy | 1 |
| 1 | 52933 | . Screw - Pump cover | 4 |
| 2 | 83731 | . Cover - Pump | 1 |
| 3 | 66629 | . Gasket - Pump cover | 1 |
| 4 | *66630 | . Diaphragm - Fuel pump | 1 |
| 5 | 48780 | . Screw - Throttle shaft clip | 1 |
| 6 | 66646 | . Clip - Throttle shaft | 1 |
| 7 | *48780 | . Screw - Throttle plate | 1 |
| 8 | 51720 | . Plate - Throttle | 1 |
| 9 | 88773 | . Shaft Assy - Throttle | 1 |
| 10 | *67136 | . Spring - Throttle shaft | 1 |
| 11 | 66639 | . Plate - Choke | 1 |
| 12 | 83717 | . Shaft Assy - Choke | 1 |
| 13 | 100071 | . Ball - Choke friction | 1 |
| 14 | 48759 | . Spring - Choke friction | 1 |
| 15 | 88768 | . Needle - Idle mixture | 1 |
| 16 | *66626 | . Spring - Idle mixture needle | 1 |
| 17 | *66625 | . Screw - Idle speed | 1 |
| 18 | *66626 | . Spring - Idle speed screw | 1 |

| Item No. | Part Number | Description | Units Per Assy |
|----------|-------------|---------------------------------|----------------|
| 19 | 61725 | . Screw - Diaphragm cover | 4 |
| 20 | 66631 | . Cover - Diaphragm | 1 |
| 21 | *66632 | . Diaphragm - Metering | 1 |
| 22 | 66633 | . Gasket - Diaphragm | 1 |
| 23 | *66644 | . Screw - Inlet lever pin | 1 |
| 24 | *66636 | . Pin - Inlet lever | 1 |
| 25 | *66638 | . Lever - Inlet | 1 |
| 26 | *66404 | . Spring - Inlet lever | 1 |
| 27 | 66637 | . Needle - Inlet | 1 |
| 28 | *66623 | . Screen - Fuel inlet | 1 |
| 29 | 88769 | . Jet - High speed fuel (.030") | 1 |
| | 88771 | Jet - H/S fuel (.029") | Alt. |
| | 88772 | Jet - H/S fuel (.028") | Alt. |
| | 88770 | Jet - H/S fuel (.031") | Alt. |
| 30 | 52928 | . Plug - Cup | 1 |
| 31 | *66622 | . Plug - Welch | 1 |
| | *88774 | Gasket Set | |
| | 88775 | Repair Kit | |
| | 88776 | Gasket & Diaphragm Set | |

*Indicates parts included in Repair Kit, P/N 88775.
 ② Serial numbers prefixed 12-

NOTE: A limited number of SP 125 saws with serial numbers prefixed 11- were also manufactured with Carburetor Assembly, P/N 87288. The carburetor on these saws should therefore be identified before replacement of it or any of its parts. See illustration, Figure 6.

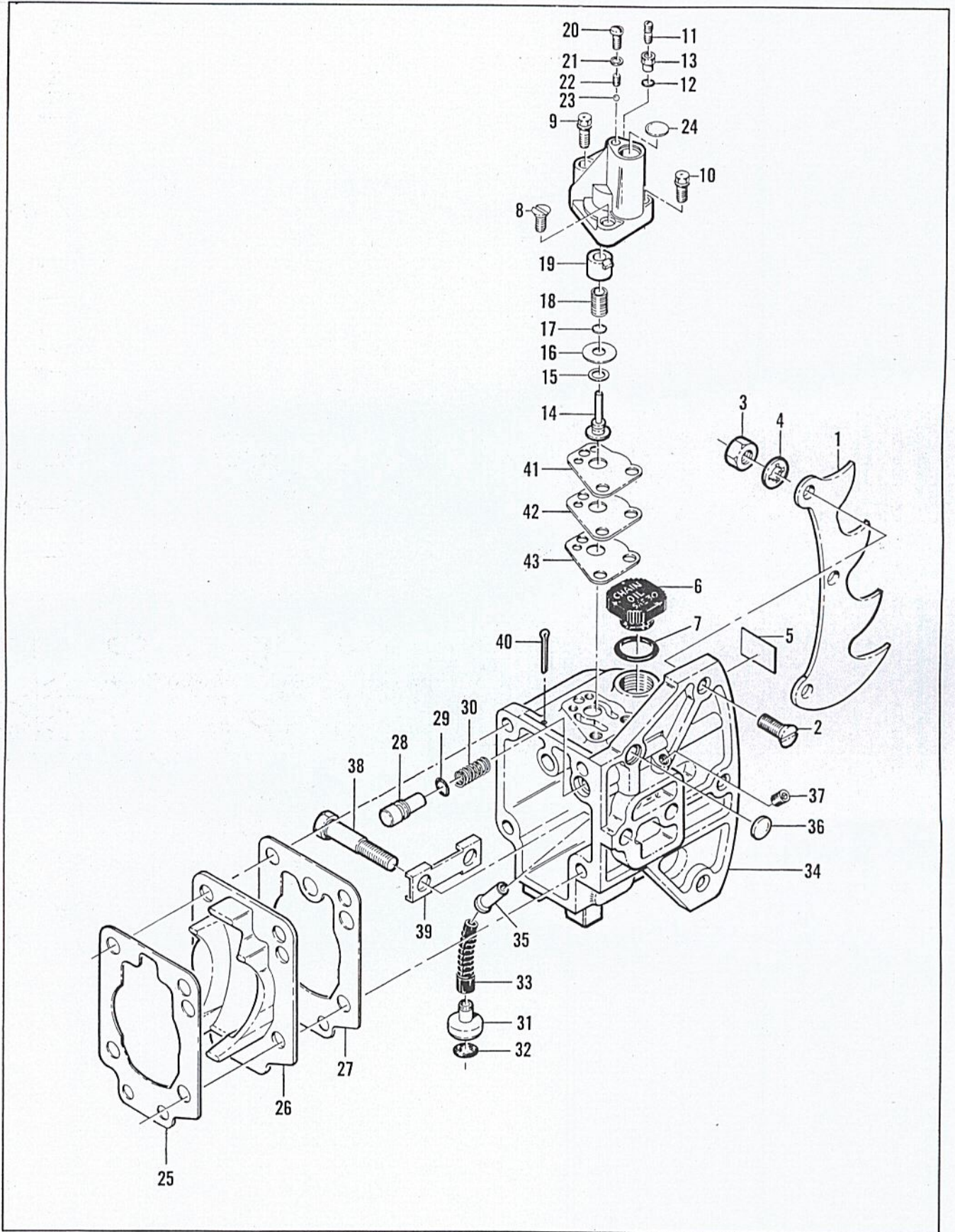


Figure 7. Oiler Tank & Pump Assemblies

FIGURE 7. OILER TANK AND PUMP ASSEMBLIES

| Item No. | Part Number | Description | Units Per Assy |
|----------|-------------|-----------------------------------|----------------|
| 1 | 61331 | Kit - Spike | 1 |
| 2 | 102088 | . Screw - Fl hd 1/4-20 x 3/4 | 3 |
| 3 | 100152 | . Nut - Hex 1/4-20 | 3 |
| 4 | 100153 | . Lockwasher | 3 |
| 5 | 59445 | Decal - Oiler | 1 |
| 6 | 67129A | Cap - Oil | 1 |
| 7 | 101148 | "O" Ring | 1 |
| 8 | 110245 | Screw - Fl hd 10-24 x 3/4 | 1 |
| 9 | 110257 | Screw - Hex hd 10-24 x 1-3/4 | 1 |
| 10 | 110127 | Screw - Hex hd 10-24 x 7/8 (SEMS) | 1 |
| | 83135 | Pump Assy - Pulse | 1 |
| 11 | 67929 | . Screw - Set | 1 |
| 12 | 104001 | . "O" Ring | 1 |
| 13 | 60976 | . Nut - Hex 10-24 lock | 1 |
| 14 | 60260A | . Piston Assy | 1 |
| 15 | 60937 | . Washer - Piston | 1 |
| 16 | -86182 | . Ring - Piston | 1 |
| 17 | 104001 | . "O" Ring | 1 |
| 18 | -86183 | . Spring - Piston | 1 |
| 19 | 67918 | . Sleeve - Adjustment | 1 |
| 20 | 60397A | . Screw - Special | 1 |

| Item No. | Part Number | Description | Units Per Assy |
|----------|-------------|---------------------------------|----------------|
| 21 | 60398B | . Washer - Special | 1 |
| 22 | 60396B | . Spring - Ball check | 1 |
| 23 | 102809 | . Ball - Check | 1 |
| 24 | 110157 | . Plug - Expansion | 1 |
| 25 | 65578 | Gasket - Crankcase bottom cover | 1 |
| 26 | 86124 | Cover - Crankcase bottom | 1 |
| 27 | 86125 | Gasket - Oiler housing | 1 |
| 28 | 63643 | Piston - Oiler | 1 |
| 29 | 103198 | "O" Ring | 1 |
| 30 | 51946 | Spring - Piston | 1 |
| 31 | 51505 | Weight Assy - Oil line | 1 |
| 32 | 51506 | . Screen - Oil | 1 |
| 33 | 28007 | Hose - Oil pickup | 1 |
| 34 | 85392 | Housing Assy - Oil | 1 |
| 35 | 51982A | . Valve Assy - Check | 1 |
| 36 | 105677 | . Plug - Expansion | 1 |
| 37 | 104869 | . Plug - Pipe | 1 |
| 38 | 51423B | . Bolt - Bar | 2 |
| 39 | 51439 | . Lockplate | 1 |
| 40 | 104062 | . Pin - Cotter | 1 |
| 41 | 86186 | . Gasket - Pump | 1 |
| 42 | 67471 | . Spacer - Pump | 1 |
| 43 | 68794 | . Gasket - Spacer | 1 |

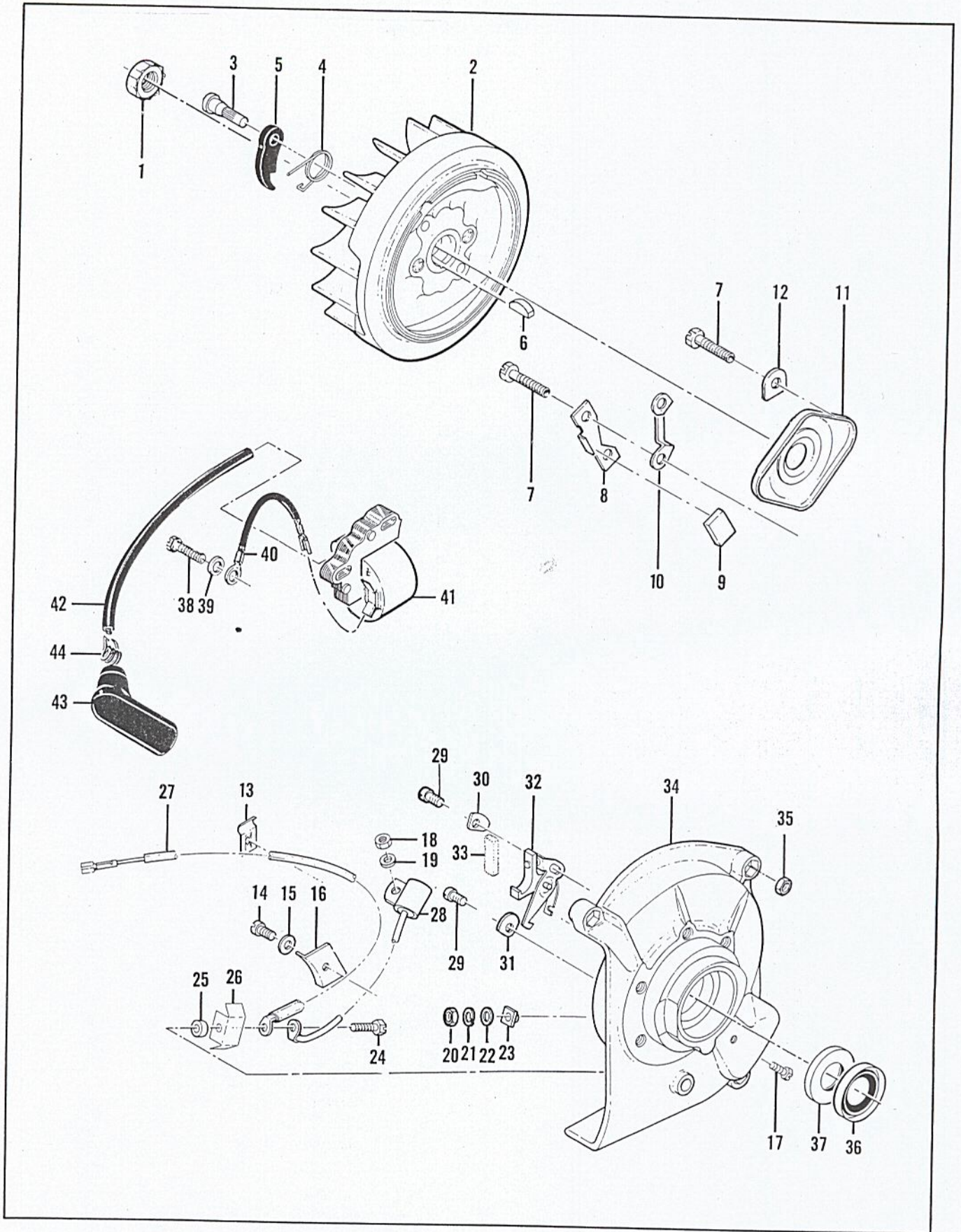


Figure 8. Crankcase Cover & Ignition Assemblies

FIGURE 8. CRANKCASE COVER AND IGNITION ASSEMBLIES

| Item No. | Part Number | Description | Units Per Assy |
|----------|-------------|--------------------------------------|----------------|
| 1 | 110655 | Nut - Hex 7/16-20 | 1 |
| 2 | 68282 | Flywheel & Pawl Assy | 1 |
| 3 | 36144B | . Pin - Pawl | 2 |
| 4 | 66351 | . Spring - Pawl | 2 |
| 5 | 24093 | . Pawl - Starter | 2 |
| 6 | 103879 | Key - Woodruff | 1 |
| 7 | 102763 | Screw - Hex hd 10-24 x 3/4 (SEMS) | 6 |
| 8 | 57815 | Strap - Seal | 1 |
| 9 | 50664 | Seal - Breaker box | 1 |
| 10 | 55977 | Clip - Cover | 2 |
| 11 | 55766B | Cover - Breaker box | 1 |
| 12 | 36388 | Lockplate | 1 |
| 13 | 104230 | Nut - Speed | 1 |
| 14 | 110055 | Screw - Fil hd 8-32 x 3/8 (SEMS) | 1 |
| 15 | 100080 | Washer - #8 | 1 |
| 16 | 57829 | Clamp - Ignition wire | 1 |
| 17 | 103748 | Screw - Hex hd 8-32 x 1/2 | 1 |
| 18 | 100251 | Nut - Hex 8-32 | 1 |
| 19 | 100057 | Lockwasher - #8 | 1 |
| 20 | 104551 | Nut - Hex 8-32 | 1 |
| 21 | 104553 | Lockwasher - #8 | 1 |
| 22 | 100080 | Washer - #8 | 1 |

| Item No. | Part Number | Description | Units Per Assy |
|----------|-------------|-------------------------------------|----------------|
| 23 | 57770A | Insulator - Breaker spring | 1 |
| 24 | 110338 | Screw - Hex hd 8-32 x 9/16 | 1 |
| 25 | 57769 | Insulator - Ignition screw | 1 |
| 26 | 55782A | Insulator - Breaker terminal | 1 |
| 27 | 63628 | Wire Assy - Primary | 1 |
| 28 | 85358 | Condenser | 1 |
| 29 | 104733 | Screw - Fil hd 8-32 x 1/2 (SEMS) | 2 |
| 30 | 57767A | Lockplate | 1 |
| 31 | 55778E | Washer - Breaker retainer | 1 |
| 32 | 57765B | Breaker Assy | 1 |
| 33 | 54184 | Wiper - Oil | 1 |
| 34 | 84193 | Cover Assy - Crankcase | 1 |
| 35 | 101326 | . Nut - Hex 10-24 | 3 |
| 36 | 57898 | . Seal - Oil | 1 |
| 37 | 57897 | . Seal - Oil | 1 |
| 38 | 110713 | Screw - Skt hd 10-24 x 7/8 | 2 |
| 39 | 83745 | Washer - Special | 2 |
| 40 | 63639 | Wire Assy - Ground | 1 |
| 41 | 85243 | Coil & Lamination Assy | 1 |
| 42 | 69966 | . Wire Assy - Spark plug | 1 |
| 43 | 62926 | . . Boot - Spark plug | 1 |
| 44 | 62932 | . . Connector - Spark plug | 1 |

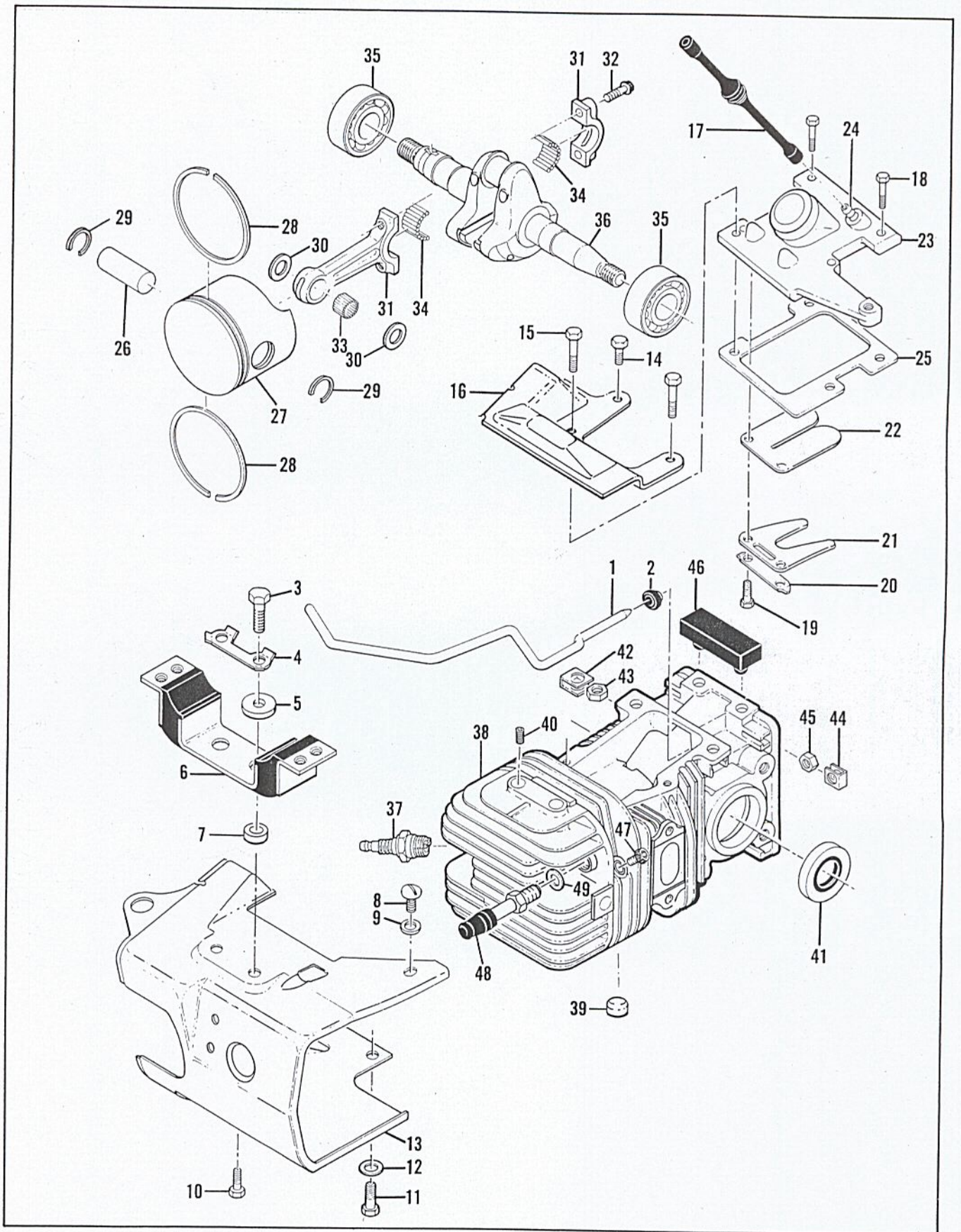


Figure 9. Powerhead & Shroud Assemblies

FIGURE 9. POWERHEAD AND SHROUD ASSEMBLIES

| Item No. | Part Number | Description | Units Per Assy |
|----------|-------------|-----------------------------------|----------------|
| 1 | 69460 | Pushrod - Oiler | 1 |
| 2 | 57736 | Seal - Pushrod | 1 |
| 3 | 102761 | Screw - Hex hd 10-24 x 7/8 | 2 |
| 4 | 69654 | Lockplate | 1 |
| 5 | 69417 | Washer - Insulator | 2 |
| 6 | 85896 | Mount - Rear | 1 |
| 7 | 85261 | Spacer - Insulator | 2 |
| 8 | 104393 | Screw - Pan hd 10-24 x 3/8 | 1 |
| 9 | 100003 | Washer - #10 | 1 |
| 10 | 104950 | Screw - Hex hd 10-24 x 5/8 | 1 |
| 11 | 102861 | Screw - Hex hd 1/4-20 x 5/8 | 2 |
| 12 | 100005 | Washer - 1/4 | 2 |
| 13 | 85150 | Shroud | 1 |
| 14 | 110581 | Screw - Hex hd 10-24 x 5/16 | 1 |
| 15 | 110748 | Screw - Hex hd 10-24 x 1 | 2 |
| 16 | 85421 | Baffle - Fan | 1 |
| 17 | 69873 | Hose - Pulse line | 1 |
| 18 | 110621 | Screw - Hex hd 10-24 x 3/4 (SEMS) | 2 |
| | 85156 | Manifold & Reed Assy | 1 |
| 19 | 103748 | . Screw - Hex hd 8-32 x 1/2 | 2 |
| 20 | 69501 | . Lockplate | 1 |
| 21 | 85513 | . Stop - Reed | 1 |
| 22 | 85154 | . Valve - Reed | 1 |
| 23 | 85235 | . Manifold & Pulse Fitting | 1 |
| 24 | 69600 | . . Fitting - Pulse | 1 |

| Item No. | Part Number | Description | Units Per Assy |
|----------|-------------|-------------------------------|----------------|
| 25 | 69526 | Gasket - Manifold | 1 |
| 26 | 85265 | Pin - Piston | 1 |
| 27 | 85539 | Piston Assy | 1 |
| 28 | 85608 | . Ring Set | 1 |
| 29 | 85273 | . Ring - Retaining | 2 |
| 30 | 85266 | Washer - Thrust | 2 |
| 31 | 85606 | Connecting Rod Assy | 1 |
| 32 | 110720 | . Screw - Spline hd Special | 2 |
| 33 | 85607 | . Roller - Needle (Set of 22) | 1 |
| 34 | 85420 | . Roller - Needle | 24 |
| 35 | 66016 | Bearing - Ball | 2 |
| 36 | 85476 | Crankshaft | 1 |
| 37 | 63432 | Spark Plug | 1 |
| 38 | 85145 | Crankcase Assy | 1 |
| 39 | 110685 | . Plug - Cup | 3 |
| 40 | 83374 | . Insert | 2 |
| 41 | 104432 | . Seal - Oil | 1 |
| 42 | 28053 | . Retainer - Nut | 2 |
| 43 | 101326 | . Nut - Hex 10-24 | 2 |
| 44 | 18556A | . Retainer - Nut | 6 |
| 45 | 105394 | . Nut - Hex 1/4-20 | 6 |
| 46 | 69872 | . Snubber - Fuel tank | 1 |
| 47 | 110681 | . Screw - Skt hd 10-24 x 1/4 | 1 |
| 48 | 85148 | Valve - Comp. rel. | 1 |
| 49 | 85505 | Washer - Valve | 1 |

ACCESSORIES

| Part Number | Description |
|-------------|---|
| 64797 | Wrench - Spark plug |
| 61040 | Wrench - Combination |
| 85584 | Socket - Extension |
| 85583 | Key - Splined socket |
| 65712 | Guide - Timing |
| 86350 | Kit - Sprocket, Drum, Bearing (.404 7T) |
| 68256 | Kit - Split bearing retainer |
| 84688 | Kit - Spark arrester baffle |
| 85108 | . Retainer - Baffle |
| 85463 | Kit - Preheater |
| 86351 | Kit - Fuel cap cover |
| -83463 | Kit - Gas & Go |

| Part Number | Description |
|-------------|----------------------------------|
| - 85376 | Kit - Spark plug cover |
| - 85322 | Kit - Fanhousing & cover |
| 65778 | Spark Plug - AC CS 41T |
| 85540 | Piston Assy (0.010 in. oversize) |
| 85609 | . Ring Set (0.010 in. oversize) |
| 85273 | . Ring - Retaining (2) |
| 85541 | Piston Assy (0.020 in. oversize) |
| 85610 | . Ring Set (0.020 in. oversize) |
| 85273 | . Ring - Retaining (2) |
| 85542 | Piston Assy (0.030 in. oversize) |
| 85611 | . Ring Set (0.030 in. oversize) |
| 85273 | . Ring - Retaining (2) |
| 86115 | Manual - Owner's |