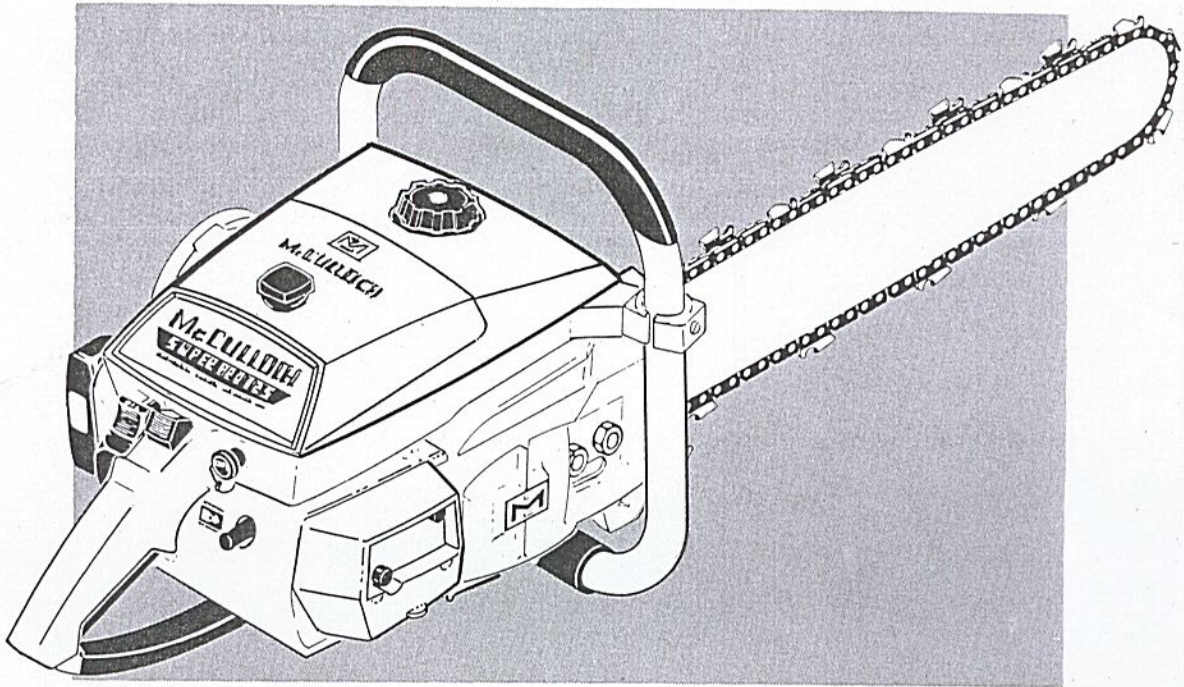


## ILLUSTRATED PARTS LIST



**NOVEMBER 1971**

IPL P/N 86408 supersedes and cancels IPL P/N 86114.

The policy of McCulloch Corporation is one of continual improvement in design, manufacturing and engineering advancement wherever possible to assure still finer two-cycle power tools. Hence, specifications, equipment, colors, design and manufacturer's suggested list prices are subject to change without notice and McCulloch Corporation reserves the right to make such changes without prior notification or obligation to backfit or supply backfit components for units previously shipped from the factory.

	Page
Figure 1. General .....	2
Figure 2. Clutch Guard & Clutch Assemblies .....	4
Figure 3. Fan Housing & Starter Assembly .....	5
Figure 4. Fuel Tank Assembly .....	6
Figure 5. Carburetor Assembly .....	8
Figure 6. Oiler Tank & Pump Assemblies .....	10
Figure 7. C'case Cover & Ignition Assemblies ..	12
Figure 8. Powerhead & Shroud Assemblies .....	14



# McCULLOCH

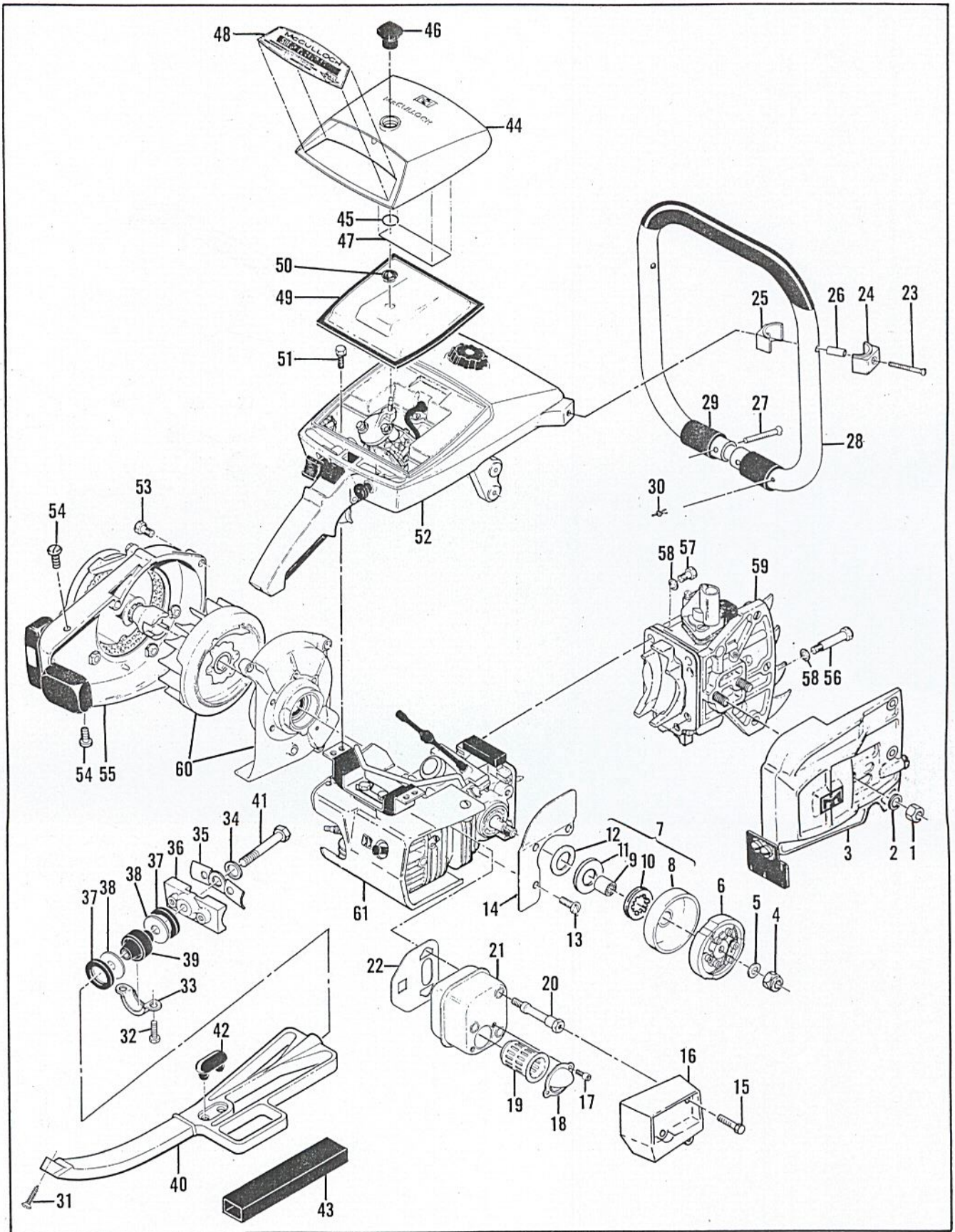


Figure 1. Général

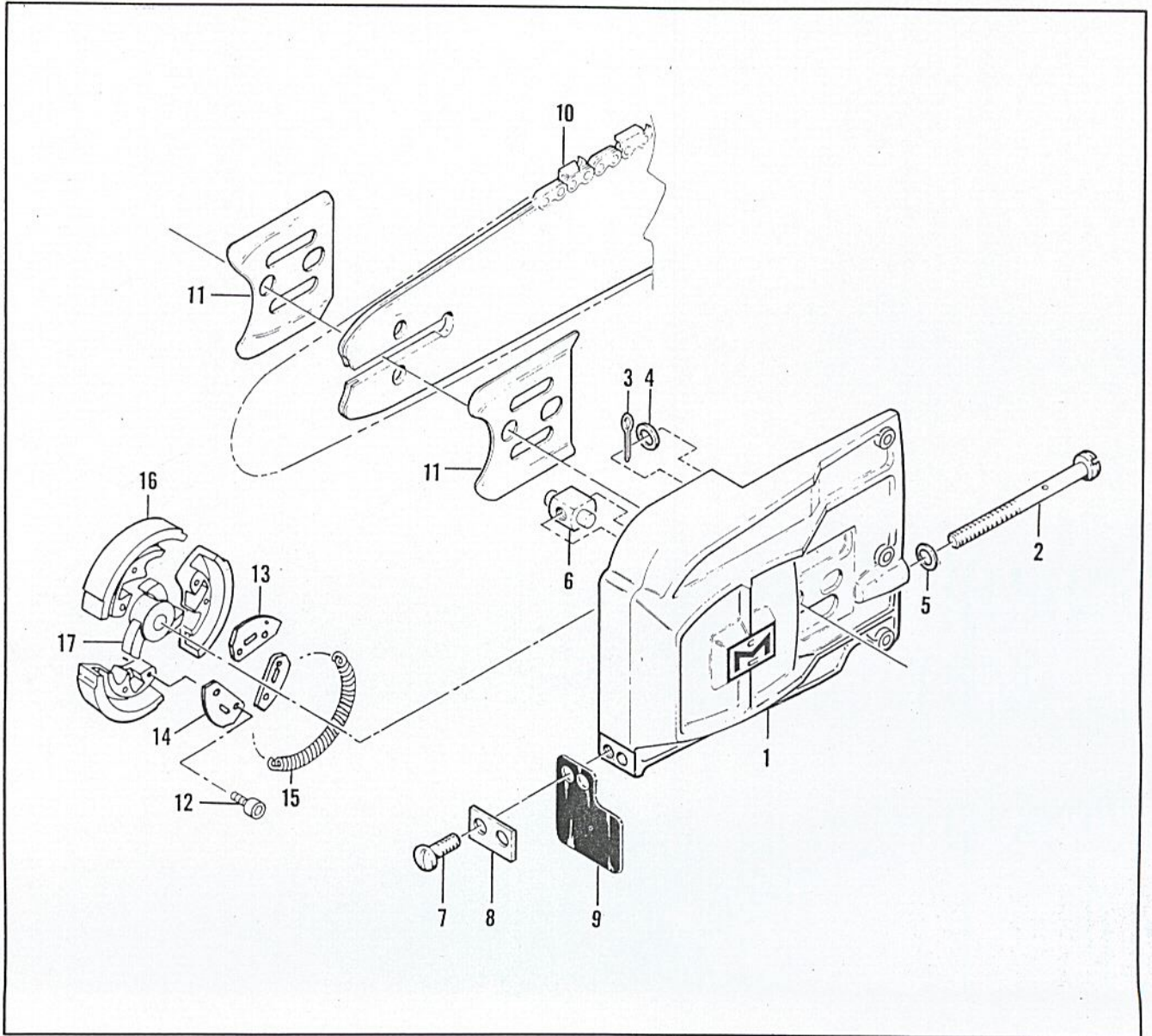
FIGURE 1. GENERAL

Item No.	Part Number	Description	Units Per Assy
1	110625	Nut - Hex 3/8-24	2
2	84623	Washer - Special	2
3		Clutch Guard Assy (See Figure 2)	
4	86113	Nut - Hex 3/8-24 (L. H.)	1
5	100006	Washer - 3/8 (S/N Prefix 10- only)	1
6		Clutch Assy (See Figure 2)	1
7	86340	Kit - Sprocket, Drum, Bearing	1
8	86343	. Drum & Bearing Assy	1
9	-103688	. . Bearing - Needle	1
10	-86341	. Sprocket - .404 8T	1
11	86366	. Washer - Special	1
12	60166	. Shim - Sprocket (S/N Prefix 10- only)	1
13	104133	Screw - Pan hd 1/4-20 x 5/8 (SEMS)	3
14	69464	Jacket - Cylinder	1
15	110717	Screw - Hex hd 10-32 x 3/4	3
16	85459	Guard - Muffler	1
	85388	Kit - Muffler	
17	110664	. Screw - Skt hd 10-24 x 3/8	2
18	84203	. Deflector - Exhaust	1
19	84690	. Baffle - Muffler	1
20	85121	. Screw - Shoulder	3
21	85117	. Muffler Assy	1
22	85116	. Gasket - Muffler	1
23	110605	Screw - Oval hd 10-24 x 2	2
24	69994	Collar - Frame	2
25	69995	Collar - Frame	2
26	69524	Bushing - Frame	2
27	110606	Screw - Oval hd 10-24 x 1-1/4	2
28	69468	Frame & Grip Assy	1
29	69885	Protector - Frame	2
30	84795	Rivet - Stop	2
31	101986	Screw - Oval hd 10-24 x 1	1

Item No.	Part Number	Description	Units Per Assy
32	104950	Screw - Hex hd 10-24 x 5/8	2
33	83819	Clamp - Lower mount	1
34	102115	Washer - 1/4	1
35	85581	Lockplate	1
36	85220	Bracket - Lower mount	1
37	84661	Grommet	2
38	-110845	Washer - Grommet	2
39	-85898	Mount - Lower	1
40	-86302	Kit - Handle brace	1
41	-86301	. Bolt - Handle brace	1
42	69883	Bumper - Brace	1
43	85651	Sleeve - Brace	1
44	85092	Cover Assy - Air cleaner	1
45	110565	. Ring - Retaining	1
46	68529	. Knob - Cover	1
47	-86198	Plate - Instruction	1
48	86116	Nameplate	1
49	69100	Filter - Air	1
50	68528	. Grommet - Filter	1
51	104950	Screw - Hex hd 10-24 x 5/8 (SEMS)	4
52		Fuel Tank Assy (See Figure 4)	
53	104816	Screw - Hex hd 10-24 x 1-1/4 (SEMS)	3
54	102500	Screw - Pan hd 10-24 x 1/2	2
55		Fan Housing & Starter Assy (See Figure 3)	
56	102127	Screw - Hex hd 1/4-20 x 3-1/4	2
57	103258	Screw - Hex hd 1/4-20 x 1-1/8	2
58	100005	Washer - 1/4	4
59		Oiler Housing Assy (See Figure 6)	
60		Crankcase Cover & Ignition Assys (See figure 7)	
61		Powerhead & Shroud Assys (See Figure 8)	

Part numbers which have changed since the previous printing of the illustrated parts list covering these saws, are indicated by a dash (-) preceding the new part number.

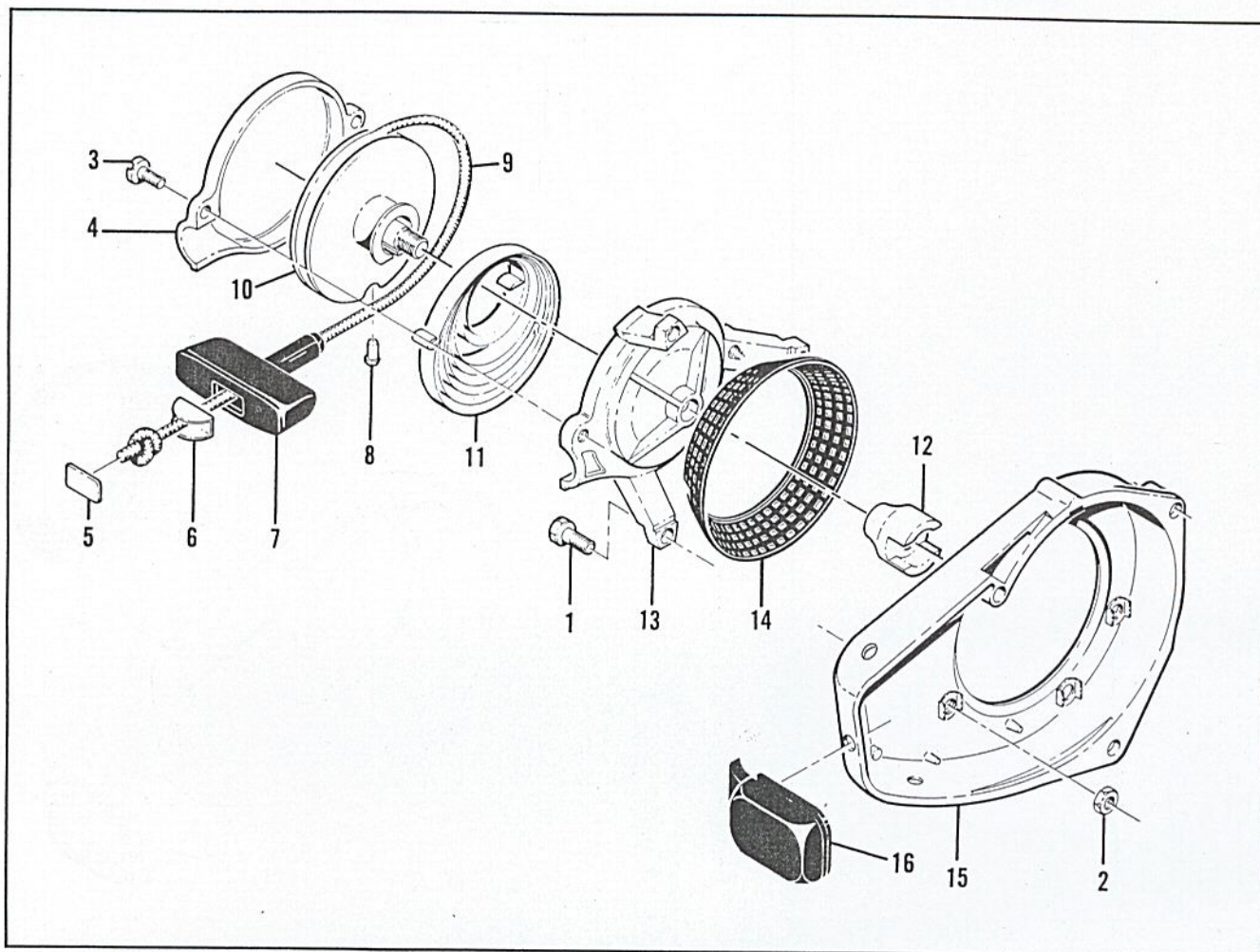
FIGURE 2. CLUTCH GUARD AND CLUTCH ASSEMBLIES



Item No.	Part Number	Description	Units Per Assy
1	85547	Clutch Guard Assy	1
2	62057	. Screw - Adjustment	1
3	105686	. Pin - Cotter	1
4	100004	. Washer - 1/4	1
5	100005	. Washer - 1/4	1
6	52207C	. Nut - Bar adjustment	1
7	110041	Screw - Pan hd 8-32 x 1/2	2
8	69492	Retainer - Deflector	1
9	69477	Deflector - Saw dust	1
10		Bar & Chain Assys	1

Item No.	Part Number	Description	Units Per Assy
11	64935	Plate - Bar	2
	86110	Clutch Assy	1
12	110740	. Screw - Skt hd 8-32 x 1/2	6
13	-86409	. Plate Assy - Retainer	1
14	85363	. Plate - Retainer	2
15	86079	. Spring - Clutch	1
16	85362	. Shoe - Clutch	3
17	86112	. Rotor - Clutch	1

FIGURE 3. FAN HOUSING AND STARTER ASSEMBLY



Item No.	Part Number	Description	Units Per Assy
1	104815	Screw - Hex hd 10-24 x 7/8 (SEMS)	3
2	101326	Nut - Hex 10-24	3
	85323	Starter Assy	1
3	104396	. Screw - Pan hd 10-24 x 3/4	2
4	60647	. Cover - Starter	1
5	57232	. Plate - Starter handle	1
6	57231	. Cup - Handle	1
7	57230	. Handle - Starter	1

Item No.	Part Number	Description	Units Per Assy
8	101136	. Rivet - Rope	1
9	28716	. Rope - Starter	1
10	57792	. Drum - Starter	1
11	51665	. Spring - Rewind	1
12	84177	. Ratchet - Starter	1
13	84212	. Base - Starter	1
14	84629	Guard - Sawdust	1
15	85317	Housing - Fan	1
16	85376	. Cover - Spark plug	1



FIGURE 4. FUEL TANK ASSEMBLY

Item No.	Part Number	Description	Units Per Assy
1	110621	Screw - Hex hd 10-24 x 3/4 (SEMS)	2
2	104895	Screw - Skt hd 10-24 x 5/8	2
3	83745	Washer - Special	2
4	104895	Screw - Skt hd 10-24 x 5/8	2
5	85897	Mount - Front	1
6	69422	Bracket - Mount	1
7	55934B	Cap Assy - Fuel	1
8	53766A	. Valve - Check	1
9	55063	. Seal - Capillary	1
10	101348	"O" Ring	1
11	69312	Hose - Fuel	1
12	53679B	Pickup Assy - Fuel	1
13	61159	. Filter - Fuel	1
14	69495	Button - Oiler	1
15	69442	Retainer - Choke rod	1
16	69471	Button - Choke	1
17	101056	"O" Ring	1
18	69443	Rod - Choke	1
19	110614	Screw - Hex hd 10-24 x 2-3/8	2
20	103174	Lockwasher - #10	2
21	24236	Washer - Special	2
22	69152	Anchor Assy - Air cleaner	1
23		Carburetor Assy (See Figure 5)	
24	86189	Gasket - Carburetor	1
25	84119	Rod - Throttle (S/N Prefix 10-)	1
	-86149	Rod - Throttle (S/N Prefix 11-)	1
26	69525	Grommet - Throttle rod	1
27	104501	Retainer - Trigger pin	1

Item No.	Part Number	Description	Units Per Assy
28	69465	Pin - Trigger	1
29	69466	Spring - Trigger	1
30	84121	Trigger (S/N Prefix 10-)	1
	-86150	Trigger (S/N Prefix 11-)	1
31	110537	Screw - Fil hd 8-36 x 1/2	1
32	110597	Screw - Pan hd 8-32 x 1/2 (SEMS)	1
33	83661	Wire Assy - Stop switch	1
34	62451	Contact - Switch	1
35	62950A	Base - Switch	1
36	68846	Button - Switch	1
37	51396A	Cover Assy - Adjustment	1
38	69360	Plug - Cover Assy	1
39	101326	Nut - Hex 10-24	2
40	28053	Retainer - Nut	2
41	104310	Pin - Cotter	1
42	69352	Washer - Felt	1
43	110724	Screw - Fil hd 10-24 x 1	1
44	85660	Insert - Handle	1
45	-101289	Ring - Retaining	1
46	84214	Spring - Throttle latch	1
47	84213	Button - Throttle latch (S/N Prefix 10-)	1
	-86151	Button - Throttle latch (S/N Prefix 11-)	1
48	69565	Spring - Connector	1
49	69371	Ferrule - Connector	2
50	69889	Connector	1
51	86191	Kit - Tank Assy (S/N Prefix 10-)	1
	-86155	Tank Assy - Fuel (S/N Prefix 11-)	1
52	-86365	Strap - Ground	1

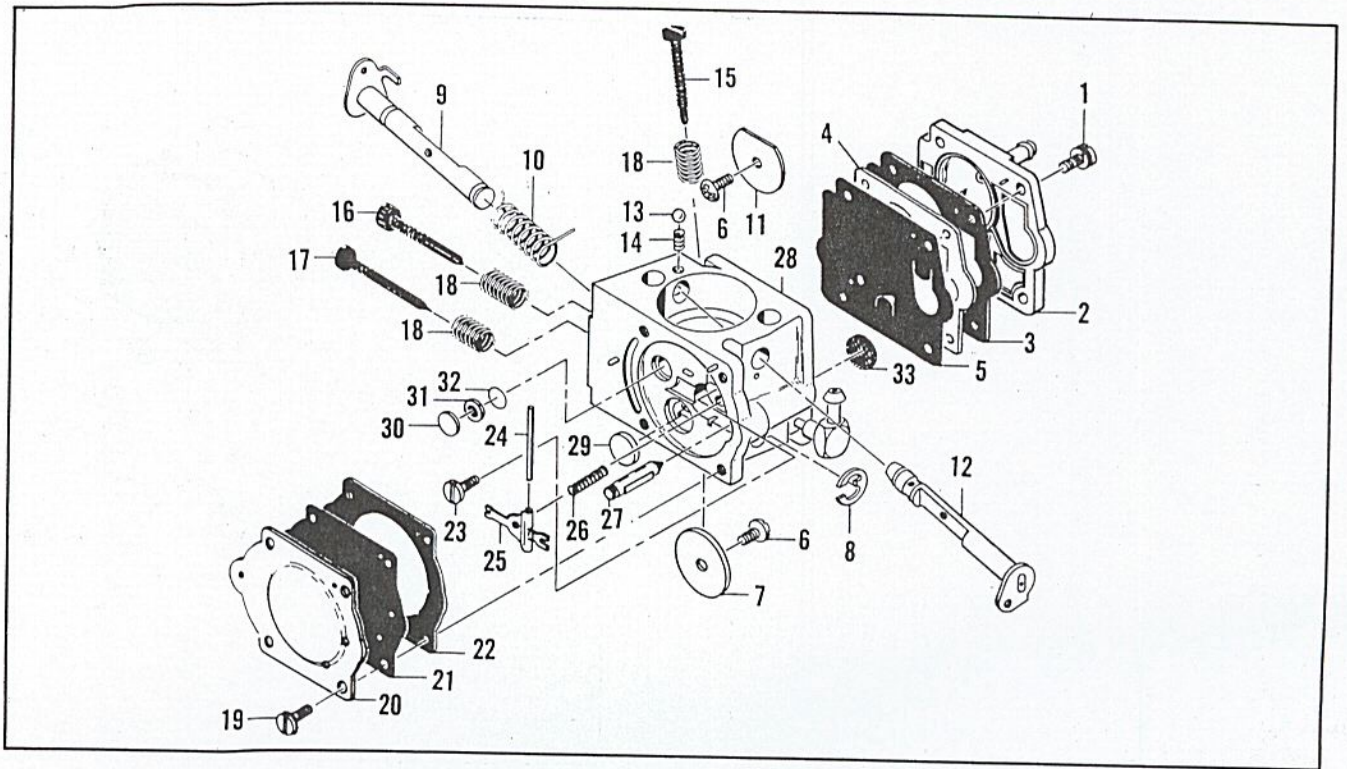


Figure 5. Carburetor Assembly



FIGURE 5. CARBURETOR ASSEMBLY

Item No.	Part Number	Description	Units Per Assy
	83550	Carburetor Assy	1
1	67501	. Screw - Pump cover	4
2	83774	. Cover - Pump	1
3	*67495	. Gasket - Cover	1
4	*67498	. Diaphragm - Check valve	1
5	83114	. Diaphragm - Fuel pump	1
6	47690	. Screw - Plate	2
7	83762	. Plate - Throttle	1
8	84198	. Ring - Retaining	1
9	83775	. Shaft Assy - Throttle	1
10	*83777	. Spring - Throttle return	1
11	67490	. Plate - Choke	1
12	83776	. Shaft Assy - Choke	1
13	*100302	. Ball - Choke friction	1
14	*67504	. Spring - Choke friction	1
15	68106	. Screw - Idle speed	1
16	*84189	. Needle - High speed	1
17	*68105	. Needle - Idle	1

Item No.	Part Number	Description	Units Per Assy
18	*67502	. Spring - Needle	3
19	70798	. Screw - Diaphragm cover	4
20	83761	. Cover - Diaphragm	1
21	*67499	. Diaphragm - Metering	1
22	*67496	. Gasket - Diaphragm	1
23	*67500	. Screw - Lever pin	1
24	*67508	. Pin - Inlet lever	1
25	*67509	. Lever - Inlet	1
26	*67503	. Spring - Lever	1
27	*67491	. Valve - Needle	1
28	83773	. Body Assy - Carburetor	1
29	*71690	. . Plug - 3/8	1
30	*69506	. . Plug - 5/16	1
31	69203	. . Seat Assy	1
32	69204	. . Valve	1
33	*67507	. . Screen - Fuel	1
	*67482	Gasket Set	
	83778	Repair Kit	

\*Indicates parts included in Repair Kit, P/N 83778

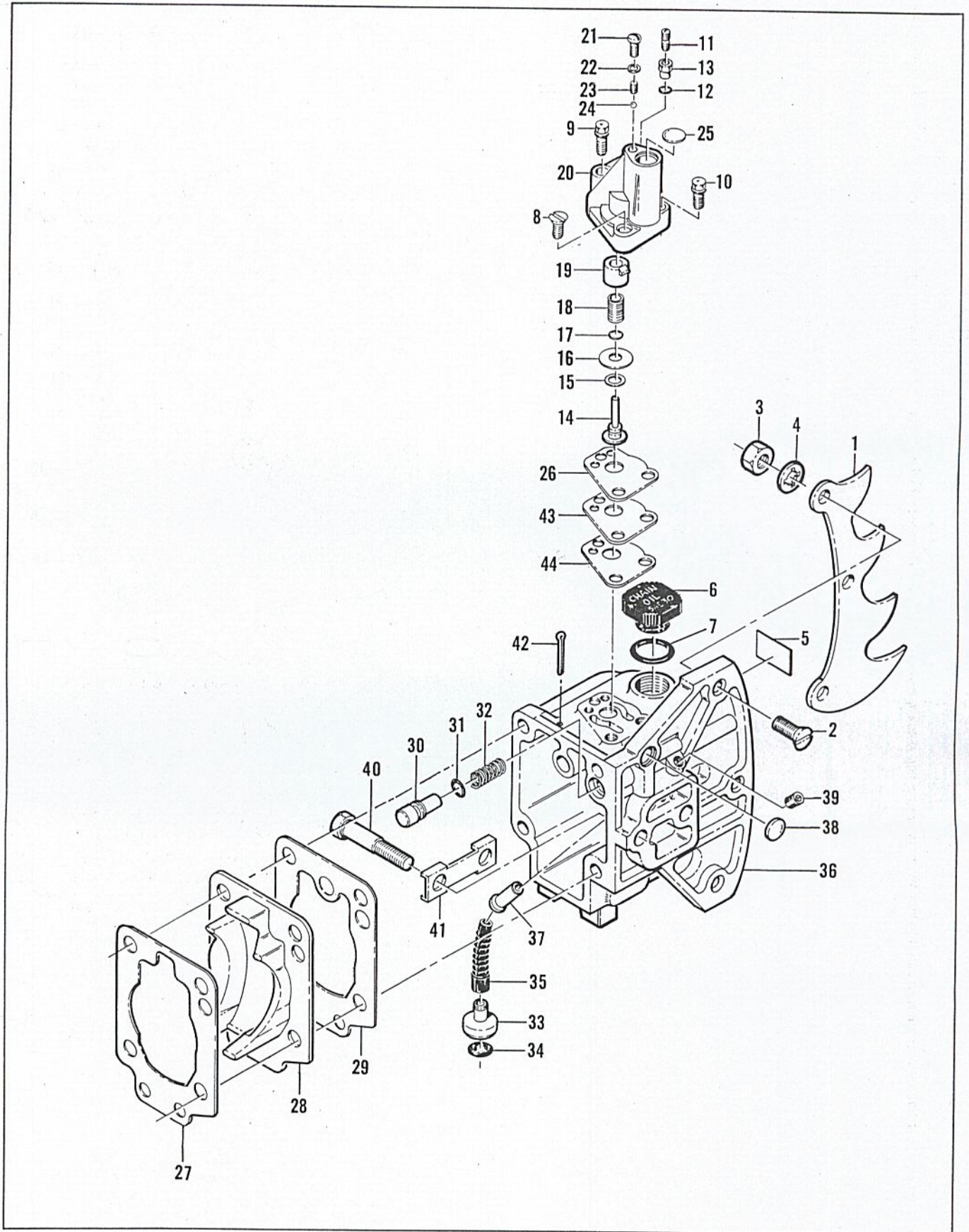


Figure 6. Oiler Tank & Pump Assemblies

FIGURE 6. OILER TANK AND PUMP ASSEMBLIES

Item No.	Part Number	Description	Units Per Assy
1	61331	Kit - Spike	1
2	102088	. Screw - Fl hd 1/4-20 x 3/4	3
3	100152	. Nut - Hex 1/4-20	3
4	100153	. Lockwasher	3
5	59445	Decal - Oiler	1
6	57129A	Cap - Oil	1
7	101148	"O" Ring	1
8	110245	Screw - Fl hd 10-24 x 3/4	1
9	110257	Screw - Hex hd 10-24 x 1-3/4	1
10	110127	Screw - Hex hd 10-24 x 7/8 (SEMS)	1
	83135	Pump Assy - Pulse	1
11	67929	. Screw - Set	1
12	104001	. "O" Ring	1
13	60976	. Nut - Hex 10-24 lock	1
14	60260A	. Piston Assy	1
15	60937	. Washer - Piston	1
16	-86182	. Ring - Piston	1
17	104001	. "O" Ring	1
18	-86183	. Spring - Piston	1
19	67918	. Sleeve - Adjustment	1
20	83132	. Body Assy - Pump	1
21	60397A	. . Screw - Special	1

Item No.	Part Number	Description	Units Per Assy
22	60398B	. . Washer - Special	1
23	60396B	. . Spring - Ball check	1
24	102809	. . Ball - Check	1
25	110157	. . Plug - Expansion	1
26	-86186	Gasket - Pump	1
27	65578	Gasket - Crankcase bottom cover	1
28	86124	Cover - Crankcase bottom	1
29	86125	Gasket - Oiler housing	1
30	63643	Piston - Oiler	1
31	103198	"O" Ring	1
32	51946	Spring - Piston	1
33	51505	Weight Assy - Oil line	1
34	51506	. Screen - Oil	1
35	28007	Hose - Oil pickup	1
36	85392	Housing Assy - Oil	1
37	51982A	. Valve Assy - Check	1
38	105677	. Plug - Expansion	1
39	104869	. Plug - Pipe	1
40	51423B	. Bolt - Bar	2
41	51439	. Lockplate	1
42	104062	. Pin - Cotter	1
43	67471	. Spacer - Pump	1
44	68794	. Gasket - Spacer	1

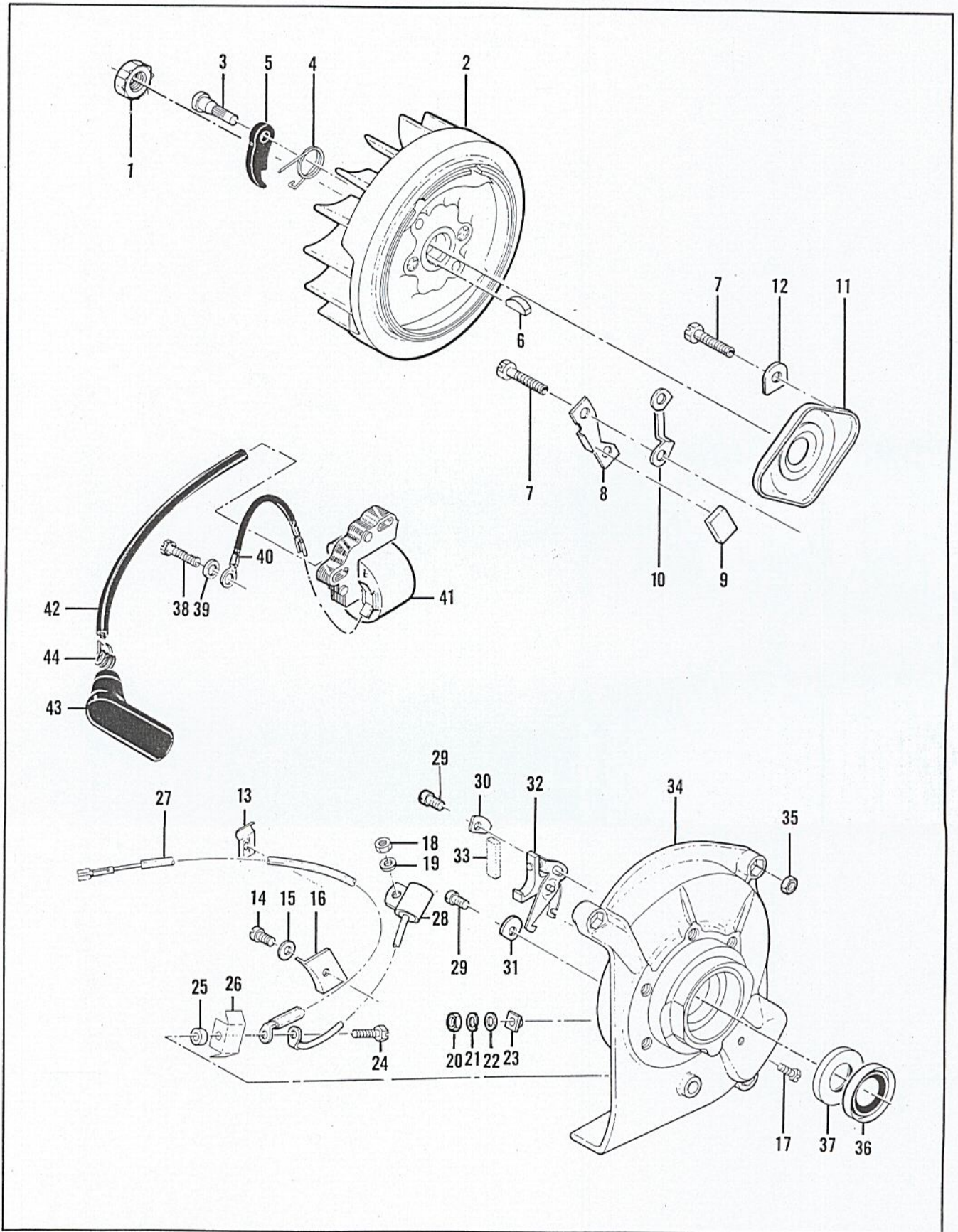


Figure 7. Crankcase Cover & Ignition Assemblies

FIGURE 7. CRANKCASE COVER AND IGNITION ASSEMBLIES

Item No.	Part Number	Description	Units Per Assy
1	110655	Nut - Hex 7/16-20	1
2	68282	Flywheel & Pawl Assy	1
3	36144B	. Pin - Pawl	2
4	66351	. Spring - Pawl	2
5	24093	. Pawl - Starter	2
6	103879	Key - Woodruff	1
7	102763	Screw - Hex hd 10-24 x 3/4 (SEMS)	6
8	57815	Strap - Seal	1
9	50664	Seal - Breaker box	1
10	55977	Clip - Cover	2
11	55766B	Cover - Breaker box	1
12	36388	Lockplate	1
13	104230	Nut - Speed	1
14	110055	Screw - Fil hd 8-32 x 3/8 (SEMS)	1
15	100080	Washer - #8	1
16	57829	Clamp - Ignition wire	1
17	103748	Screw - Hex hd 8-32 x 1/2	1
18	100251	Nut - Hex 8-32	1
19	100057	Lockwasher - #8	1
20	104551	Nut - Hex 8-32	1
21	104553	Lockwasher - #8	1
22	100080	Washer - #8	1

Item No.	Part Number	Description	Units Per Assy
23	57770A	Insulator - Breaker spring	1
24	110338	Screw - Hex hd 8-32 x 9/16	1
25	57769	Insulator - Ignition screw	1
26	55782A	Insulator - Breaker terminal	1
27	63628	Wire Assy - Primary	1
28	85358	Condenser	1
29	104733	Screw - Fil hd 8-32 x 1/2 (SEMS)	2
30	57767A	Lockplate	1
31	55778E	Washer - Breaker retainer	1
32	57765B	Breaker Assy	1
33	54184	Wiper - Oil	1
34	84193	Cover Assy - Crankcase	1
35	101326	. Nut - Hex 10-24	3
36	57898	. Seal - Oil	1
37	57897	. Seal - Oil	1
38	110713	Screw - Skt hd 10-24 x 7/8	2
39	83745	Washer - Special	2
40	63639	Wire Assy - Ground	1
41	85243	Coil & Lamination Assy	1
42	69966	. Wire Assy - Spark plug	1
43	62926	. . Boot - Spark plug	1
44	62932	. . Connector - Spark plug	1

SERVICE SPECIFICATIONS

Spark Plug Gap -----	0.025 in.
Lamination Gap -----	.007 to .012 in.
Breaker Point Gap -----	.018 in.
Carburetor Adjustment	
Idle Needle - Preliminary adjustment	7/8 turn open.
	Adjust for smooth idle and acceleration.
Main Needle - Preliminary adjustment	1-1/8 turn open.
	Adjust for maximum power under load.
Torque Values	
Flywheel Nut -----	375 to 425 inch-pounds.
Clutch Nut -----	340 to 360 inch-pounds.
Connecting Rod Screws -----	105 to 110 inch-pounds.

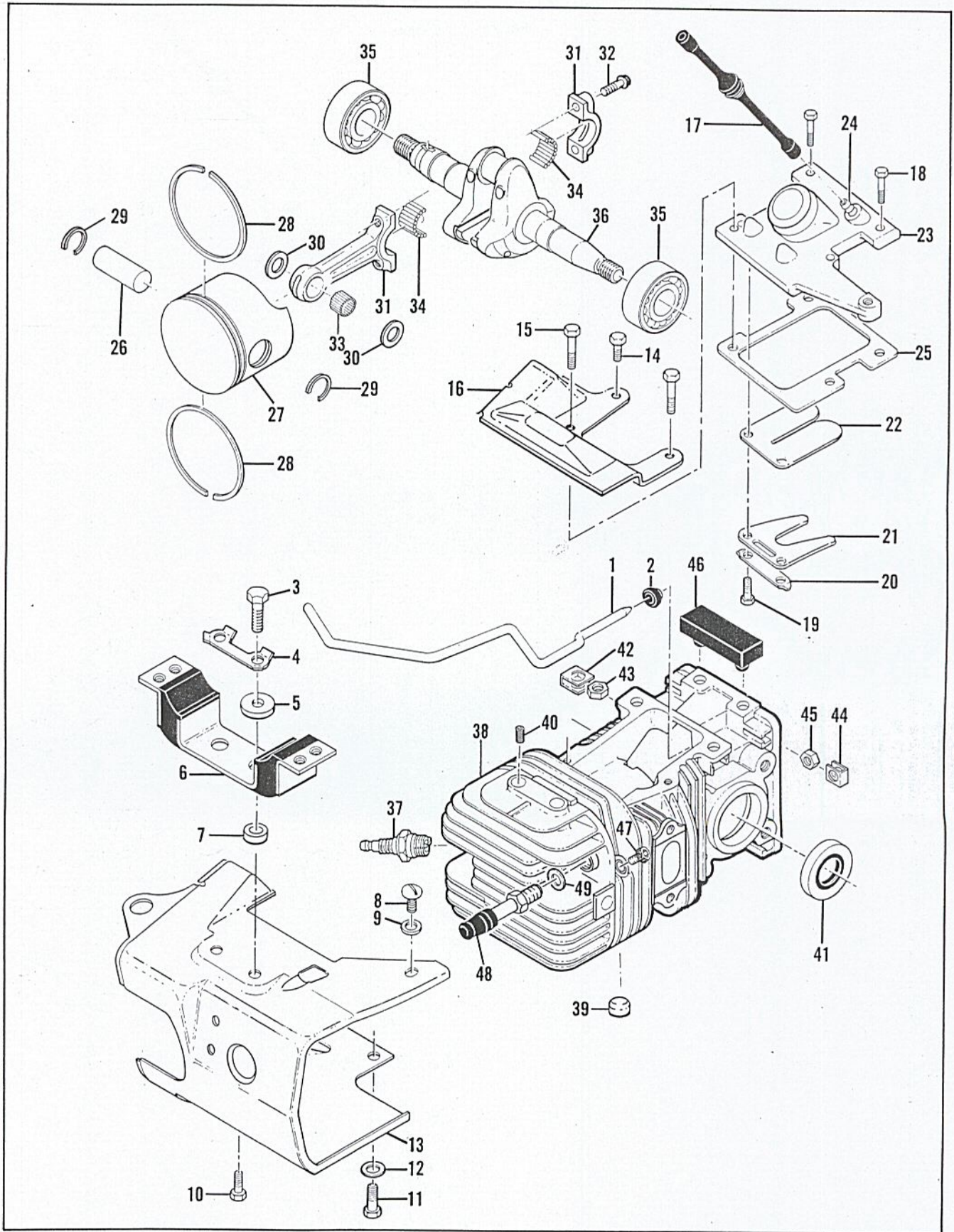


Figure 8. Powerhead & Shroud Assemblies

FIGURE 8. POWERHEAD AND SHROUD ASSEMBLIES

Item No.	Part Number	Description	Units Per Assy
1	69460	Pushrod - Oiler	1
2	57736	Seal - Pushrod	1
3	102761	Screw - Hex hd 10-24 x 7/8	2
4	69654	Lockplate	1
5	69417	Washer - Insulator	2
6	85896	Mount - Rear	1
7	85261	Spacer - Insulator	2
8	104393	Screw - Pan hd 10-24 x 3/8	1
9	100003	Washer - #10	1
10	104950	Screw - Hex hd 10-24 x 5/8	1
11	102861	Screw - Hex hd 1/4-20 x 5/8	2
12	100005	Washer - 1/4	2
13	85150	Shroud	1
14	110581	Screw - Hex hd 10-24 x 5/16	1
15	110748	Screw - Hex hd 10-24 x 1	2
16	85421	Baffle - Fan	1
17	69873	Hose - Pulse line	1
18	110621	Screw - Hex hd 10-24 x 3/4 (SEMS)	2
	85156	Manifold & Reed Assy	1
19	103748	. Screw - Hex hd 8-32 x 1/2	2
20	69501	. Lockplate	1
21	85513	. Stop - Reed	1
22	85154	. Valve - Reed	1
23	85235	. Manifold & Pulse Fitting	1
24	69600	. Fitting - Pulse	1

Item No.	Part Number	Description	Units Per Assy
25	69526	Gasket - Manifold	1
26	85265	Pin - Piston	1
27	85539	Piston Assy	1
28	85608	. Ring Set	1
29	85273	. Ring - Retaining	2
30	85266	Washer - Thrust	2
31	85606	Connecting Rod Assy	1
32	110720	. Screw - Spline hd Special	2
33	85607	. Roller - Needle (Set of 22)	1
34	85420	. Roller - Needle (Set of 24)	1
35	66016	Bearing - Ball	2
36	85476	Crankshaft	1
37	63432	Spark Plug	1
38	85145	Crankcase Assy	1
39	110685	. Plug - Cup	3
40	83374	. Insert	2
41	104432	. Seal - Oil	1
42	28053	. Retainer - Nut	2
43	101326	. Nut - Hex 10-24	2
44	18556A	. Retainer - Nut	6
45	105394	. Nut - Hex 1/4-20	6
46	69872	. Snubber - Fuel tank	1
47	110681	. Screw - Skt hd 10-24 x 1/4	1
48	85148	Valve - Comp. rel.	1
49	85505	Washer - Valve	1

ACCESSORIES

Part Number	Description
64797	Wrench - Spark plug
61040	Wrench - Combination
85584	Socket - Extension
85583	Key - Splined socket
65712	Guide - Timing
86350	Kit - Sprocket, Drum, Bearing (.404 7T)
68256	Kit - Split bearing retainer
84688	Kit - Spark arrester baffle
85108	. Retainer - Baffle
-85463	Kit - Preheater
-86351	Kit - Fuel cap cover

Part Number	Description
65778	Spark Plug - AC CS 41T
85540	Piston Assy (0.010 in. oversize)
85609	. Ring Set (0.010 in. oversize)
85273	. Ring - Retaining (2)
85541	Piston Assy (0.020 in. oversize)
85610	. Ring Set (0.020 in. oversize)
85273	. Ring - Retaining (2)
85542	Piston Assy (0.030 in. oversize)
85611	. Ring Set (0.030 in. oversize)
85273	. Ring - Retaining (2)
86115	Manual - Owner's