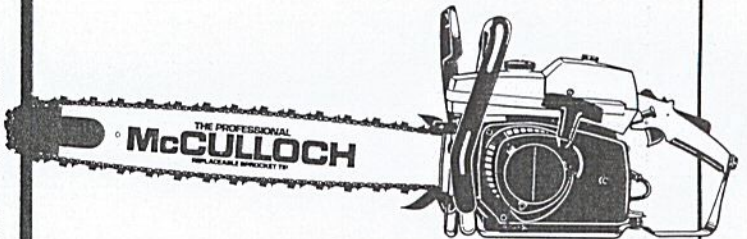


ILLUSTRATED PARTS LIST

MODELS	SERIAL NUMBER PREFIX
600119B	11-

THE PROFESSIONAL PRO MAC 805 CHAIN SAW



McCulloch chain saws are identified by a model number (in this instance, 600119) followed by a suffix letter (A, B, C, etc.) stamped on the identification plate attached to the saw. Suffix letters denote variations in parts or assemblies in the manufacture of the saw.

Part numbers listed in this I.P.L. which have a suffix letter or letters following the description, indicate the part is used only on the model(s) identified by the letter or letters.

Part numbers and descriptions without suffix letter or letters apply to all versions of the chain saw model.

Part numbers which have one or more dots (.) preceding their descriptions may be ordered individually, but they are also included in the kit or assembly whose description begins directly above the dot(s).

Part numbers in this IPL which were not in the previous IPL covering these saws, are indicated by a dash (-) preceding the new part number.

The policy of McCulloch is one of continual improvement in design, manufacturing and engineering advancement wherever possible to assure still finer two-cycle power tools. Hence, specifications, equipment, colors, design and manufacturer's suggested list prices are subject to change without notice and McCulloch reserves the right to make such changes without prior notification or obligation to backfit or supply backfit components for units previously shipped from the factory.

October 1982

- CONTENTS -

	Page
Figure 1. General	2
Figure 2. CHAIN BRAKE Assembly.	4
Figure 3. Fan Housing & Starter Asys.	5
Figure 4. Fuel Tank Assembly.	6
Figure 5. Carburetor Assembly	7
Figure 6. Powerhead & Oiler Assemblies.	8
Bar and Chain Combinations	3
Accessories.	5
Service Specifications	5



Pro Mac 805

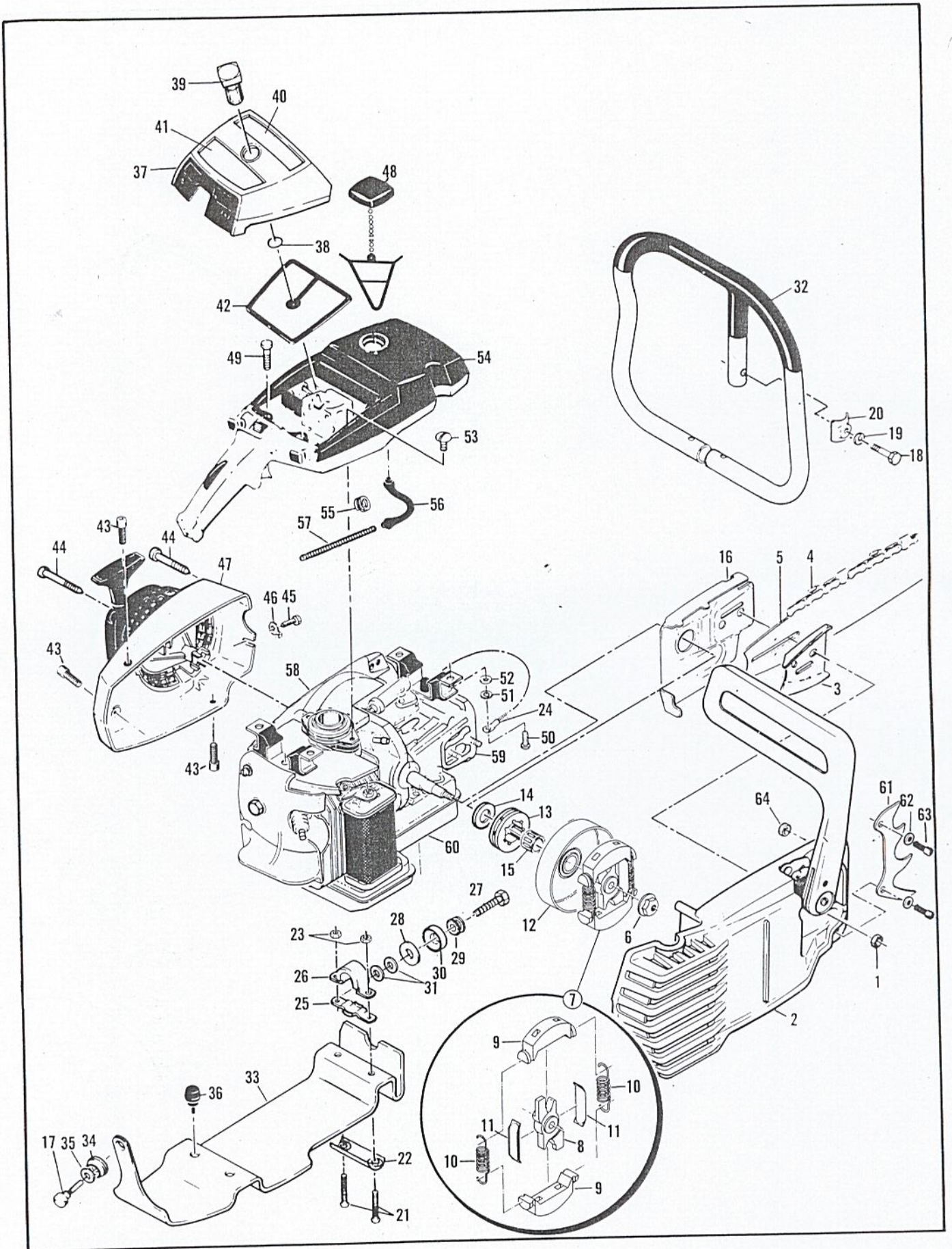


Figure 1. General.

FIGURE 1. GENERAL

ITEM NO.	PART NUMBER	DESCRIPTION	UNITS PER ASY.
1	213169	Nut-M8 Hx Flange	2
2		CHAIN BRAKE (Figure 2)	
3	64325	Plate-Bar protector	1
4		Chain Assembly	1
5		Bar Assembly	1
6	86113	Nut-Hx 3/8-24 Left Hand	1
7	214301	Clutch Assembly	1
8	214300	. Rotor-Clutch	1
9	67233	. Kit-Clutch shoe	1
10	83223	. Spring-Clutch	2
11	64583	. Retainer-Clutch spring	2
12	95166	Kit-Drum & Sprocket 7 T .375P	1
13	86145	. Sprocket	1
14	86958	. Washer-Sprocket	1
15	215720	Bearing-Sprocket	1
16	84978A	Shield-Sawdust	1
17	213055	Screw-Frame brace	1
18	102130	Screw-Hx 1/4-20 x 1-1/2	1
19	100153	Lockwasher-1/4	1
20	63484	Clamp-Frame	1
21	103353	Screw-Hx hd 10-24 x 1-1/2	2
22	95679	Clamp-Frame	1
23	101191	Nut-Hx Lock 10-24	2
24	83828A	Wire Assembly-Ground	1
25	92701	Clamp-Bottom	1
26	93932	Clamp-Top	1
27	110679	Screw-Hx hd 1/4-20 x 2	1
28	110845	Washer-Plain	1
29	84661	Grommet	1
30	85898	Mount	1
31	95636	Washer-1/4	2
32	95514	Frame & Grip Assembly	1
33	216090	Brace-Frame	1
34	93032	Grommet-Frame brace	1

ITEM NO.	PART NUMBER	DESCRIPTION	UNITS PER ASY.
35	214764	Washer	1
36	89403	Bumper-Lower	2
37	95418	Cover Assembly-Air cleaner	1
38	110565	. Ring-Retaining	1
39	95420	. Knob-Cover	1
40	216165	Nameplate	1
41	95486	Instruction Plate	1
42	215681	Filter-Air	1
43	110741	Screw-Skt 10-24 x 1/2	3
44	216624	Screw - Oval 8-32 x 2.26	3
45	110746	Screw- Hx hd 10-24 x 1/2	1
46	69890	Lockplate	1
47		Fan Housing & Starter Assemblies (Figure 3)	
48	216053	Cap Assembly-Fuel	1
49	110746	Screw-Hx hd 10-24 x 1/2	2
50	102861	Screw-Hx hd 1/4-20 x 5/8	2
51	100153	Lockwasher-1/4	2
52	100005	Washer-1/4	2
53	110807	Screw-Pan hd 8-32 x 5/16	2
54		Fuel Tank Assembly (Figure 4)	
55	87826	Clamp-Hose	2
56	69598	Line-Pulse	1
57	67944	Spring-Hose	1
58		Flywheel & Ignition System (Figure 6)	
59		Powerhead & Oiler Assemblies (Figure 6)	
60		Muffler Assembly (Figure 6)	
61	93668	Spike	1
62	213042	Screw-Skt 10-24 x .625	2
63	24236	Washer-Special 10	2
64	101191	Nut-Hx Lock 10-24	2

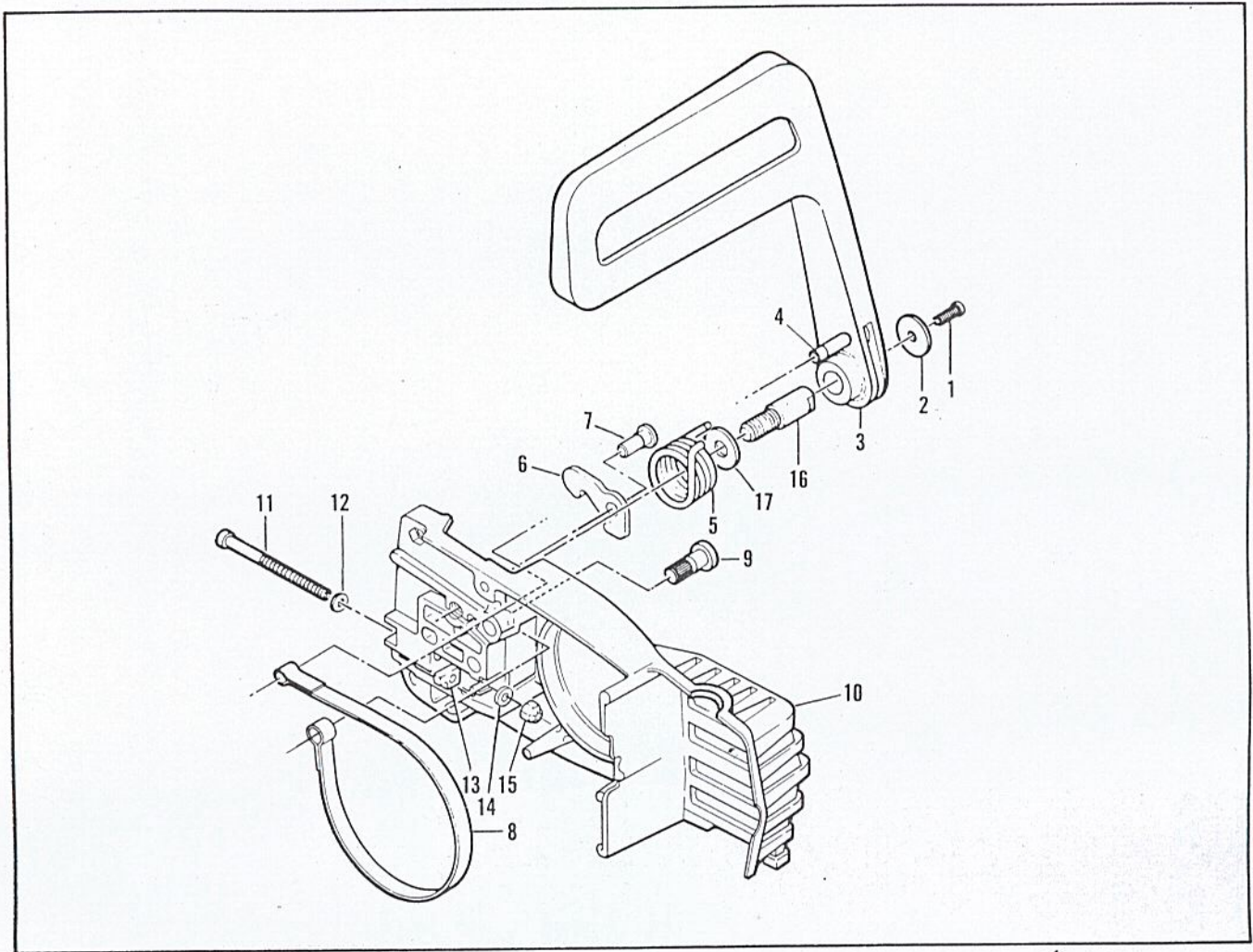
BAR and CHAIN COMBINATIONS

PART NUMBER	DESCRIPTION
94074	Bar-16" Speed Mac
89502	Bar-16" Mac 10
88167N	Chain-16" MP 370G
214231N	Chain-16" PRG 370G
89974N	Chain-16" SPR 370G
93778	Bar-20" Speed Mac
89503	Bar-20" Mac 10
88173N	Chain-20" PM 370G
214232N	Chain-20" PGR 370G
89979N	Chain-20" SPR 370G
86846	Bar-24" Speed Mac

PART NUMBER	DESCRIPTION
89504	Bar-24" Mac 10
88175N	Chain-24" PM 370G
94437N	Chain-24" PGR 370G
89981N	Chain-24" SPR 370G
86847	Bar-28" Speed Mac
89505	Bar-28" Mac 10
93552N	Chain-28" PM 370G
89984N	Chain-28" SPR 370G
91284	Bar-33" Speed Mac

Pro Mac 805

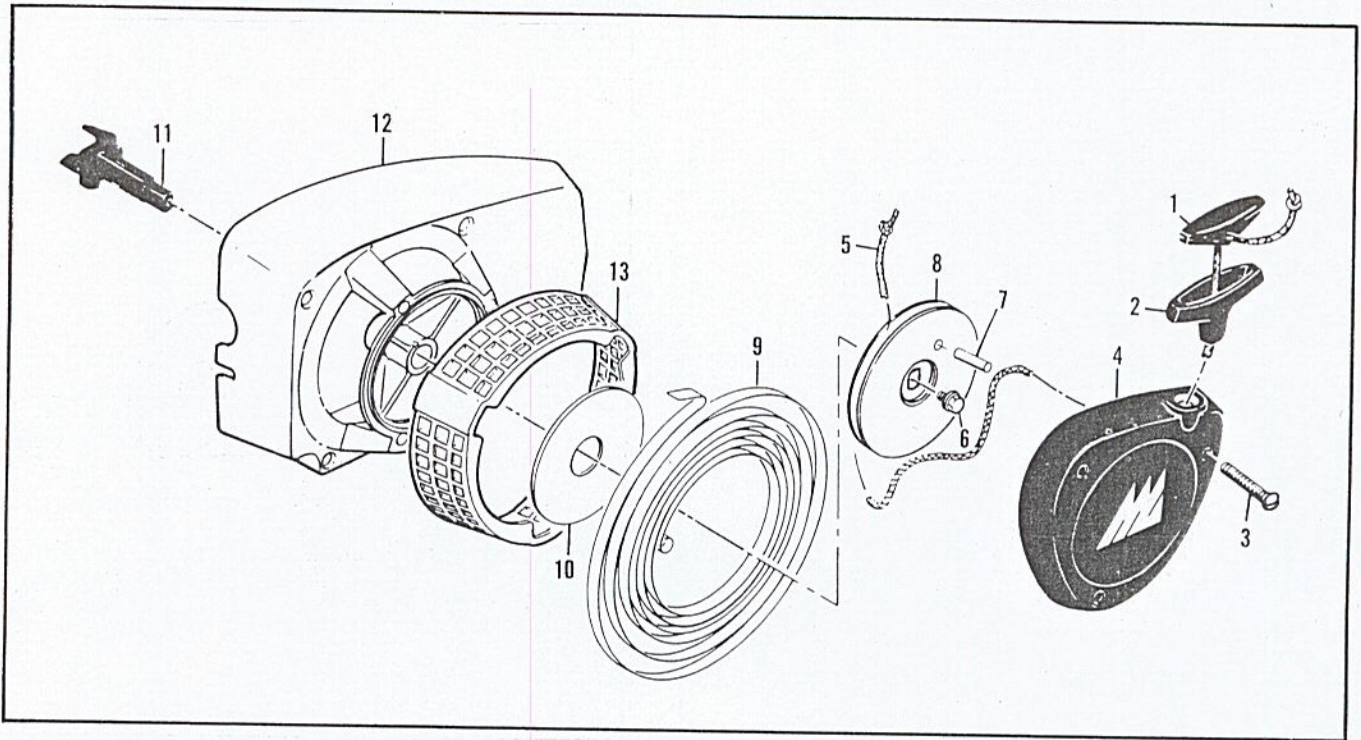
FIGURE 2. CHAIN BRAKE ASSEMBLY



ITEM NO.	PART NUMBER	DESCRIPTION	UNITS PER ASY.
	216163	CHAIN BRAKE Assembly	
1	102500	. Screw-Pan hd 10-24 x 1/2	1
2	91273	. Washer-Special	1
3	215911	. Lever Assembly	1
4	214366	. Pin Assembly-Roller	1
5	93085	. Spring-Brake	1
6	93083	. Latch	1
7	93669	. Pivot-Latch	1
8	93081	. Band-Brake	1

ITEM NO.	PART NUMBER	DESCRIPTION	UNITS PER ASY.
9	93082	. Pin-Band Anchor	1
10	216164	. Housing Assembly-Brake	1
11	110527	. Screw-Fil hd 10-24 x 2-3/4	1
12	110264	. Washer-#10	1
13	61705	. Nut-Bar adjusting	1
14	100002	. Washer-#10	1
15	102067	. Nut-Hx 10-24	1
16	91246	. Pin-Lever pivot	1
17	91245	. Washer-Thrust	1

FIGURE 3. FAN HOUSING and STARTER ASSEMBLY.



ITEM NO.	PART NUMBER	DESCRIPTION	UNITS PER ASY.
	216162	Fan Housing & Starter Assembly	1
1	214699	. Insert-Starter	1
2	93137	. Handle-Starter	1
3	216625	. Screw-Oval 10-24 x 1.25	3
4	215707	. Cover Assembly-Starter	1
5	87670	. Rope-Starter	1
6	110928	. Screw-Hex hd 10-24 x 1/2	1

ITEM NO.	PART NUMBER	DESCRIPTION	UNITS PER ASY.
7	105841	. Pin-Roll	1
8	87689	. Drum-Starter	1
9	87680	. Spring-Rewind	1
10	86053	. Shield-Spring	1
11	95412	. Shaft-Starter	1
12	216161	. Kit-Fan Housing	1
13	214192	. . Guard-Sawdust	1

ACCESSORIES

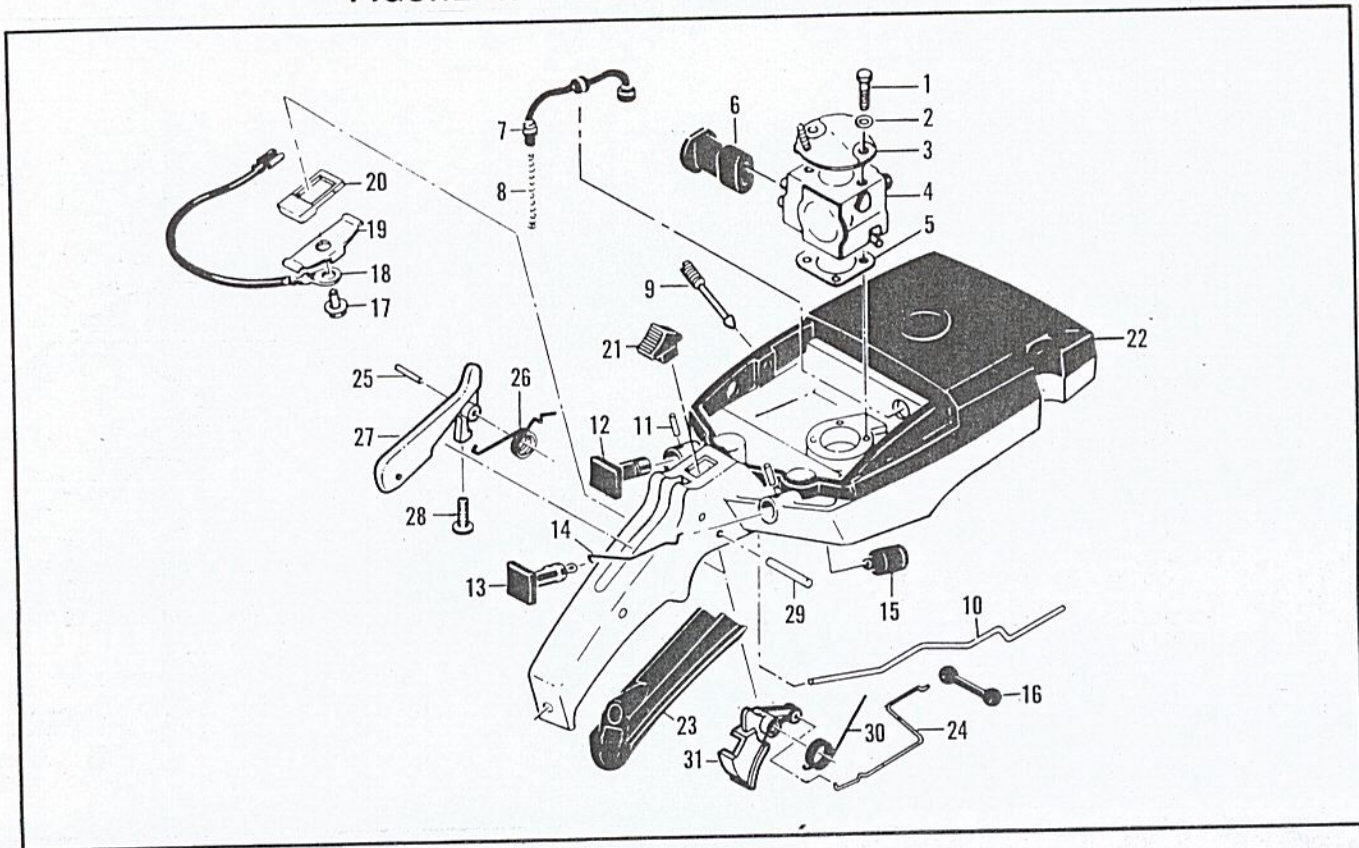
PART NUMBER	DESCRIPTION
94962	Scrench-13mm x 5/8
84453	Kit-Pressure test adaptor
63432	Spark Plug
62827	Wrench/Screw Driver
214194	Metal Lubri-gun
214195	Plastic Lube Gun

PART NUMBER	DESCRIPTION
215697	Air filter - felt
216147	Key-Socket 1/8
216335	Key-Socket 3/32
216063	Key-Socket 5/32
214283	Spark Screen & Cap Asy

SERVICE SPECIFICATIONS

Spark Plug Gap	.025 inch (.63mm)
Clutch Engagement Speed	2800 to 3000 rpm
Lamination Gap	.011 to .015 inch (.30 to .40mm)
Torques	Connecting Rod Screws: 65 to 70 inch x lbs. (7.3 to 7.9N.m)
	Clutch Nut: 200 to 210 inch x lbs (22.6 to 23.7N.m)
	Flywheel Nut: 265 to 325 inch x lbs (29.9 to 36.7N.m)

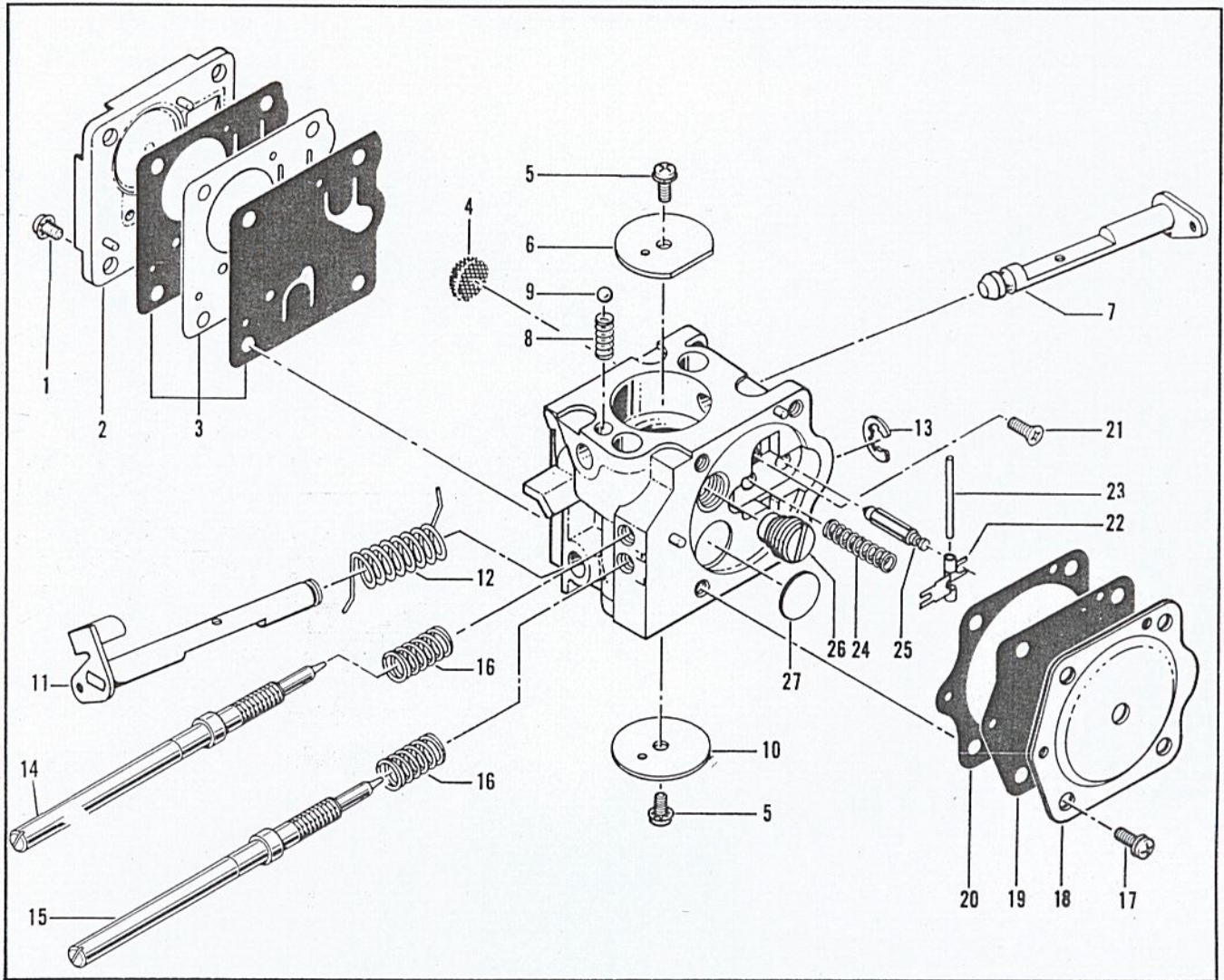
FIGURE 4. FUEL TANK ASSEMBLY



ITEM NO.	PART NUMBER	DESCRIPTION	UNITS PER ASY.
1	103357	Screw-Hx hd 10-24 x 2-1/4	2
2	110964	Washer-Plain	2
3	95414	Bracket-Air cleaner	1
4		Carburetor Assembly (Figure 5)	1
5	86189	Gasket-Carburetor	1
6	214762	Boot-Carburetor controls	1
7	215708	Hose Assembly-Fuel	1
8	67944	Spring-Hose	1
9	86273	Screw-Idle speed	1
10	92903	Rod-Oiler	1
11	105673	Pin-Roll 3/32 x 9/16	2
12	95480	Button-Oiler	1
13	95614	Button-Choke	1
14	69631	Rod-Choke	1
15	69597	Boot-Control rod	2
16	69043	Snubber-Rod	1

ITEM NO.	PART NUMBER	DESCRIPTION	UNITS PER ASY.
17	110706	Screw- Pan hd 8-18 x 1/2	1
18	83661	Wire Assembly-Stop switch	1
19	62451	Contact-Switch	1
20	214691	Base-Switch	1
21	68846	Button-Switch	1
22	94025	Tank/Control Assembly	1
23	89320	. Insert-Handle grip	1
24	92155	. Rod-Throttle	1
25	105654	. Pin-Roll 1/8 x 7/8	1
26	92154	. Spring-Trigger release	1
27	94275	. Release Assembly-Trigger	1
28	111012	. Screw-Pan hd 4-40 x 5/16	1
29	110378	. Pin-Roll 3/16 x 15/16	1
30	92152	. Spring-Trigger	1
31	214679	. Trigger-Throttle	1

FIGURE 5. CARBURETOR ASSEMBLY



ITEM NO.	PART NUMBER	DESCRIPTION	UNITS PER ASY.
	214763	Carburetor Assembly (Zama C-2)	1
1	- -	. Screw - Pump cover (M4)*	4
2	- -	. Cover - Fuel pump	1
3	93952 ②①	. Kit - Pump diaphragm	1
4	- - ①	. Screen - Filter	1
5	- -	. Screw - Plate	2
6	- -	. Valve - Choke	1
7	- -	. Shaft Assembly - Choke	1
8	- -	. Spring - Choke shaft	1
9	- -	. Ball - Choke friction	1
10	- -	. Valve - Throttle	1
11	- -	. Shaft Assembly - Throttle	1
12	- -	. Spring - Throttle return	1
13	- -	. "E" Ring	1

ITEM NO.	PART NUMBER	DESCRIPTION	UNITS PER ASY.
14	215265 ③	. Needle - High speed	1
15	93947 ③	. Needle - Idle	1
16	93948 ③	. Spring - Needle	2
17	- -	. Screw - Diaphragm cover	4
18	- -	. Cover - Diaphragm	1
19	93943 ②①	. Diaphragm Assembly - Main	1
20	93949 ②①	. Gasket - Main	1
21	91814 ①	. Screw - Lever pin (M3)*	1
22	93941 ①	. Lever - Inlet	1
23	93942 ①	. Pin - Lever	1
24	93940 ①	. Spring - Lever	1
25	91810 ①	. Valve - Needle	1
26	93950 ①	. Valve Assembly - Main jet	1
27	93951 ①	. Plug - Welsh	1

- ① Contained in Repair Kit, P/N 216723.
- ② Contained in Gasket/Diaphragm Kit, P/N 216724.
- ③ Contained in Needle Kit, P/N 216738.

NOTE: Items not listed with part numbers are shown for identification and disassembly sequence purposes only. They are NOT available as service parts.

Pro Mac 805

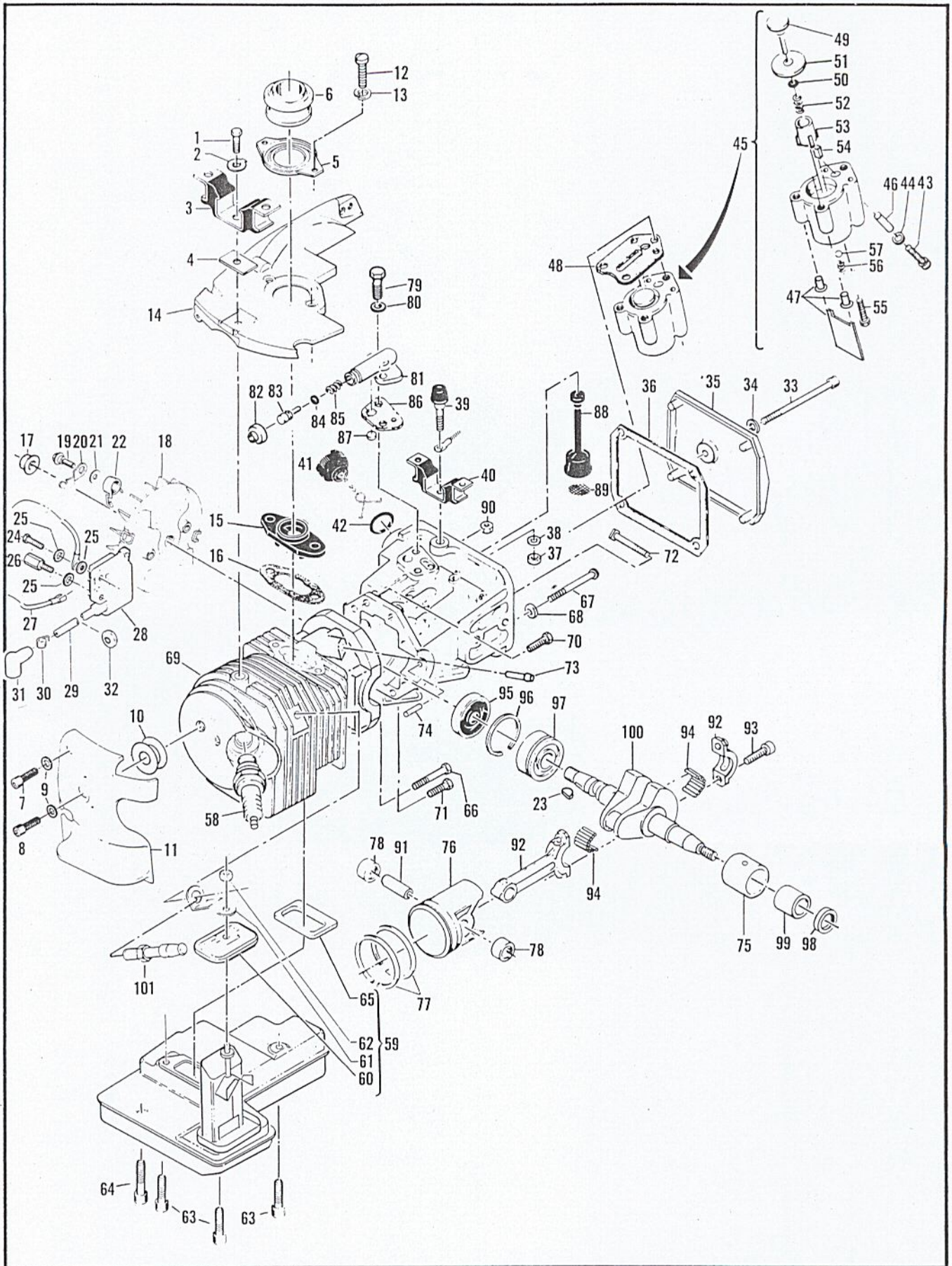


Figure 6. Powerhead & Oiler Assemblies.

FIGURE 6. POWERHEAD and OILER ASSEMBLIES.

ITEM NO.	PART NUMBER	DESCRIPTION	UNITS PER ASY.	ITEM NO.	PART NUMBER	DESCRIPTION	UNITS PER ASY.
1	83811	Screw-Special	1	52	60259	. Spring-Piston	1
2	69924	Lockplate	1	53	62227	. Sleeve-Adjustment	1
3	93925	Mount-Rear	1	54	91259	. Pad-Oil pump	1
4	84619	Insulator	1	55	110386	. Screw-Hx hd 8-32 x 1	1
5	213381	Clamp Assembly-Boot	1	56	92844	. Spring-Outlet valve	1
6	215247	Boot-Port	1	57	102809	. Ball-Outlet valve	1
7	102500	Screw-Skt 10-24 x 1/2	1	58	63432	Spark Plug	1
8	104396	Screw-Skt 10-24 x 3/4	1	59	216160	Kit-Muffler	1
9	100002	Washer-#10	2	60	214281	. Cap-Spark Arrester	1
10	93460	Washer-Insulator	1	61	216087	. Strap-Muffler	1
11	216136	Shroud-Rear	1	62	101191	. Nut-Hex	1
12	104396	Screw-Pan hd 10-24 x 3/4	2	63	104895	. Screw-Skt 10-24 x .62	3
13	101194	Lockwasher-#10	2	64	110713	. Screw-Skt 10-24 x .88	1
14	95477	Shroud-Upper	1	65	95387	. Gasket-Muffler	1
15	87844	Insulator-Inlet	1	66	110644	Screw-Hx hd 8-32 x 1-1/2	1
16	88740	Gasket-Insulator	1	67	62106	Screw-Special	4
17	110703	Nut-Hex 3/8-24	1	68	111025	Washer-Sealing	4
18	95481	Flywheel Assembly	1	69	215713	Kit-Cylinder, c'case, piston	1
19	93464	. Screw-Pawl	2	70	110288	. Screw-Hx hd 8-32 x 3/4	2
20	93198	. Pawl-Starter	2	71	110963	. Screw-Hx hd 8-32 x 1	1
21	93469	. Washer-Pawl	2	72	92459	. Bolt-Bar	2
22	214102	. Spring-Pawl	2	73	69600	. Nipple-Pulse line	1
23	100106	Key-Woodruff	1	74	110851	. Pin-Dowel	1
24	110127	Screw-Hx hd 10-24 x 7/8 (SEMS)	1	75	87152	. Insert-Bearing	1
25	100002	Washer-#10	3	76	92519	. Piston Assembly	1
26	95603	Stud-Special	1	77	87854	. . Ring Set-Piston	1
27	85798	Wire Assembly-Ground	1	78	111021	. . Bearing-Needle	2
28	95553	Electronic Ignition Assembly	1	79	110338	Screw-Hx 8-32 x 9/16	2
29	95269	. Wire Assembly-Spark plug	1	80	110613	Washer-#8 Hard	2
30	102556	. . Connector	1	81	84156	Housing-Pump	1
31	95266	. . Boot	1	82	62262	Cap-Housing	1
32	110995	. Grommet	1	83	92902	Plunger-Pump	1
33	110291	Screw-Skt 10-24 x 2-5/8	1	84	105614	"O" Ring	1
34	110921	Washer-Sealing	1	85	66687	Spring-Pump	1
35	86304	Cover-Oil tank	1	86	91669	Gasket-Pump	1
36	86306	Gasket-Cover	1	87	91668	Valve-Pump	1
37	101143	Nut-Hx 1/4-20	1	88	91672	Hose-Oil	1
38	102523	Washer-1/4	1	89	51506	. Screen-Hose	1
39	69832	Bumper-Front	1	90	100955	Nut-Hex 8-32	1
40	93926	Mount-Front	1	91	69020	Pin-Piston	1
41	216052	Cap-Oil tank	1	92	215245	Connecting Rod Assembly	1
42	101148	"O" Ring	1	93	61627A	. Screw-Special	2
43	110890	Screw-Fil. 10-24 x .88	1	94	215150	. Roller (set of 22)	1
44	100003	Washer-#10	1	95	61618	Seal-Oil	1
45	215339	Pump Assembly-Pulse	1	96	63464	Ring-Snap	1
46	91774	. Sleeve	1	97	63429B	Bearing-Ball	1
47	215246	. Kit-Oil pump clip	1	98	110260	Seal-Oil	1
48	92818	. Seal-Pulse pump	1	99	104357	Bearing-Needle	1
49	214278	. Piston Assembly-Pump	1	100	95386	Crankshaft	1
50	105603	. "O" Ring	1	101	215673	Valve-Compression release	1
51	86182	. Ring-Piston	1				