

ILLUSTRATED PARTS LIST

MODELS	SERIAL NUMBER PREFIX
600116 B	11-

McCulloch chain saws are identified by a model number (in this instance, 600116) followed by a suffix letter (A, B, C, etc.) stamped on the identification plate attached to the saw. Suffix letters denote variations in parts or assemblies in the manufacture of the saw.

Part numbers listed in this I.P.L. which have a suffix letter or letters following the description, indicate the part is used only on the model(s) identified by the letter or letters.

Part numbers and descriptions without suffix letter or letters apply to all versions of the chain saw model.

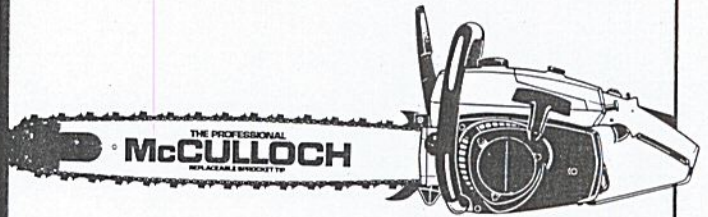
Part numbers which have one or more dots (.) preceding their descriptions may be ordered individually, but they are also included in the kit or assembly whose description begins directly above the dot(s).

Part numbers in this IPL which were not in the previous IPL covering these saws, are indicated by a dash (-) preceding the new part number.

The policy of McCulloch is one of continual improvement in design, manufacturing and engineering advancement wherever possible to assure still finer two-cycle power tools. Hence, specifications, equipment, colors, design and manufacturer's suggested list prices are subject to change without notice and McCulloch reserves the right to make such changes without prior notification or obligation to backfit or supply backfit components for units previously shipped from the factory.

THE PROFESSIONAL

Pro Mac 700 CHAIN SAW



October 1982

- CONTENTS -

	<u>Page</u>
Figure 1. General	2
Figure 2. CHAIN BRAKE Assembly	4
Figure 3. Fan Housing & Starter Asys ...	4
Figure 4. Carburetor Assembly	6
Figure 5. Fuel Tank Assembly	6
Figure 6. Powerhead Assembly	8
Service Specifications	5
Accessories	7



Pro Mac 700

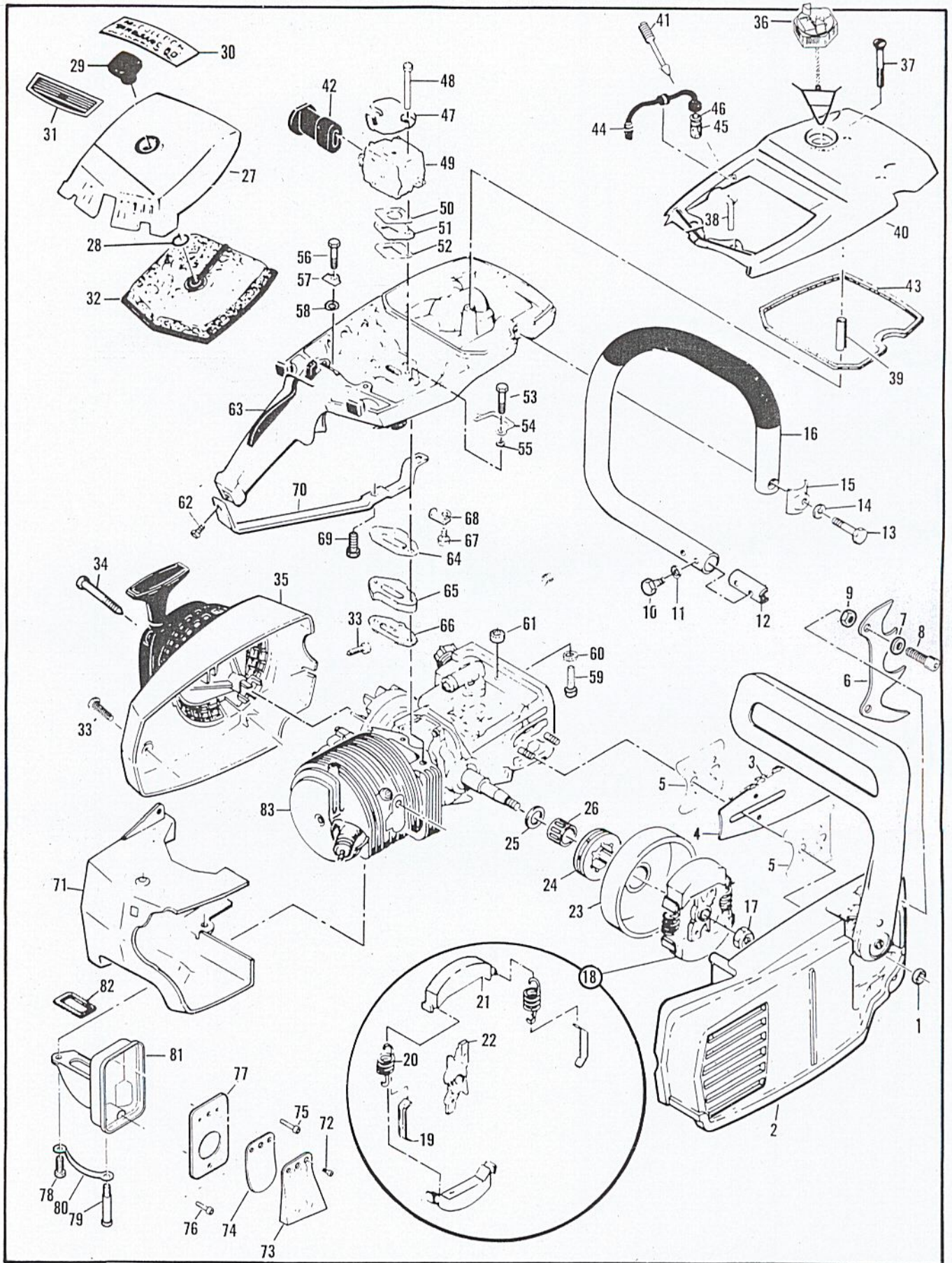


Figure 1. General

FIGURE 1. GENERAL.

ITEM NO.	PART NUMBER	DESCRIPTION	UNITS PER ASY.
1	110961	Nut-Hx 5/16 - 24	2
2		CHAIN BRAKE (Fig 2)	
3		Chain Asy	1
4		Bar Asy	1
5	64330	Set-Bar plates	1
6	93668	Spike	1
7	216683	Washer-special	2
8	213042	Screw-Skt hd 10-24 x 5/8	2
9	101191	Nut-hx lock 10-24	2
10	110865	Screw-Hx hd 10-24 x 7/8	2
11	100352	Washer-#10	2
12	89727	Retainer-Frame	1
13	102130	Screw-Hx hd 1/4-20 x 1-1/2	1
14	100153	Washer-Lock 1/4	1
15	63484	Clamp-Frame	1
16	214549	Frame & Grip Asy	1
17	86113	Nut-Hx 3/8-24 (L.H.)	1
18	214301	Clutch Asy	1
19	64583	. Retainer-Spring	2
20	83223	. Spring-Clutch	2
21	67233	. Kit-Clutch shoe	1
22	214300	. Rotor-Clutch	1
23	95165	Drum & Sprocket Asy 7T .375P	1
24	86951	. Sprocket-7T .375	1
25	86958	. Washer-Sprocket	1
26	215720	Bearing-Sprocket	1
27	91543	Cover Asy-Air cleaner	1
28	110565	. Ring-Retainer	1
29	68529	. Knob-Cover	1
30	216138	Plate-Name	1
31	216054	Plate-Instruction	1
32	69922	Filter-Air	1
33	110741	Screw-Pan hd 10-24 x1/2	2
34	87871	Screw-Special	3
35		Fan Housing & Starter Asy (Fig 3)	
36	216053	Cap Asy-Fuel	1
37	110402	Screw-Oval hd 12-24 x 2-3/8	1
38	101986	Screw-Oval hd 10-24 x 1	2
39	87840	Spacer	1
40	88650	Cover-Fuel tank	1
41	87932	Screw-Idle adjust	1

ITEM NO.	PART NUMBER	DESCRIPTION	UNITS PER ASY.
42	87665	Boot-Carburetor adjust	1
43	69345	Gasket-Cover	1
44	215708	Hose Asy-Fuel	1
45	63932	. Filter-Fuel	1
46	100440	. Washer	1
47	69952	Bracket-Air cleaner	1
48	103357	Bolt-Hx hd 10-24 x 2-1/4	2
49		Carburetor Asy (Fig 4)	
50	86189	Gasket-Carburetor	1
51	84078	Spacer-Carburetor	1
52	84081	Gasket-Spacer	1
53	110567	Screw- Hx hd 12-24 x 1-1/4	2
54	68582	Plate-Lock	1
55	102115	Washer-#12	2
56	110568	Screw-Hx hd 12-24 x 1-1/8	1
57	69516	Plate-Lock	1
58	64856	Washer-Special	1
59	110713	Screw-Skt hd 10-24 x 7/8	1
60	100003	Washer-#10	1
61	69772	Spacer-Fuel tank	1
62	213043	Screw-PN hd 10-24 x 1-1/4	1
63		Fuel Tank Asy (Fig 5)	
64	84082	Gasket-Fuel tank	1
65	84080	Insulator-Fuel tank	1
66	68594	Gasket-Insulator	1
67	110682	Screw-Hx hd 10-24 x 5/8	1
68	68508	Plate-Lock	1
69	110682	Screw-Hx hd 10-24 x 5/8	1
70	85007	Brace-Handle	1
71	214702	Shroud	1
72	110563	Screw-Skt hd 8-32 x 1/4	2
73	92996A	Stop-Reed	1
74	85585A	Valve-Reed	1
75	101563	Screw-Skt hd 10-24 x 1-1/4	1
76	110439	Screw-Skt hd 10-24 x 1	1
77	92995	Cover-Spark Arrester	1
78	110529	Screw-Hx hd 10-24 x 1/2	1
79	68187	Screw-Special	1
80	67922	Plate-Lock	1
81	92989	Body & Duct Asy	1
82	84007	Gasket-Spark Arrester	1
83		Powerhead Asy (Fig 6)	

BAR and CHAIN COMBINATIONS.

PART NUMBER	DESCRIPTION
94074	Bar-16" Speed Mac
89502	Bar-16" Mac 10
88167N	Chain-16" PM 370 G
214231N	Chain-16" PGR 370 G
89974N	Chain-16" SPR 370 G
93778	Bar-20" Speed Mac
89503	Bar-20" Mac 10
88173N	Chain-20" PM 370 G
214232N	Chain-20" PGR 370 G
89979N	Chain-20" SPR 370 G

PART NUMBER	DESCRIPTION
86846	Bar-24" Speed Mac
89504	Bar-24" Mac 10
88175N	Chain-24" PM 370 G
94437N	Chain-24" PGR 370 G
89981N	Chain-24" SPR 370 G
86847	Bar-28" Speed Mac
89505	Bar-28" Mac 10
93552N	Chain-28" PM 370 G
89984N	Chain-28" SPR 370 G

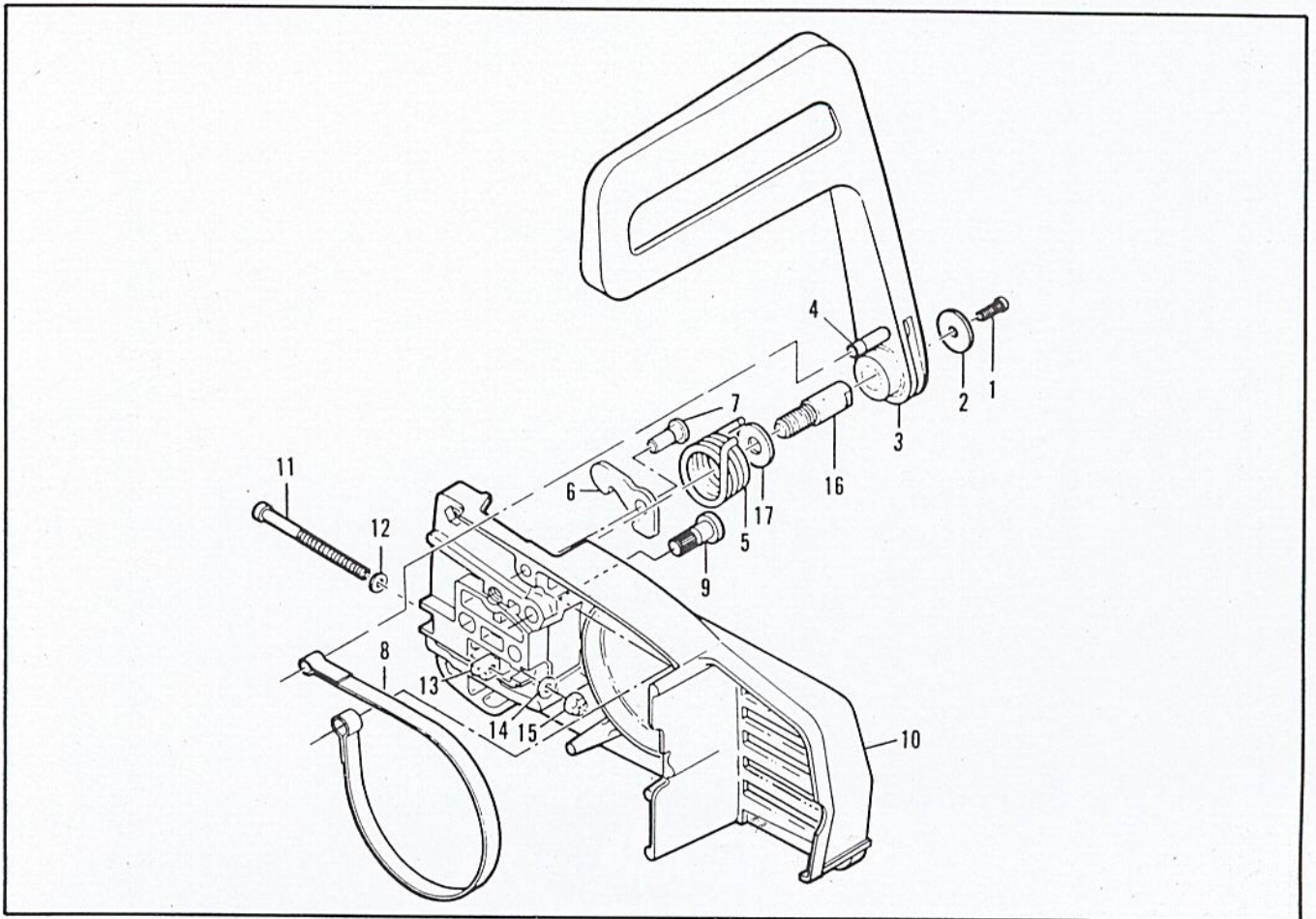


Figure 2. CHAIN BRAKE Assembly

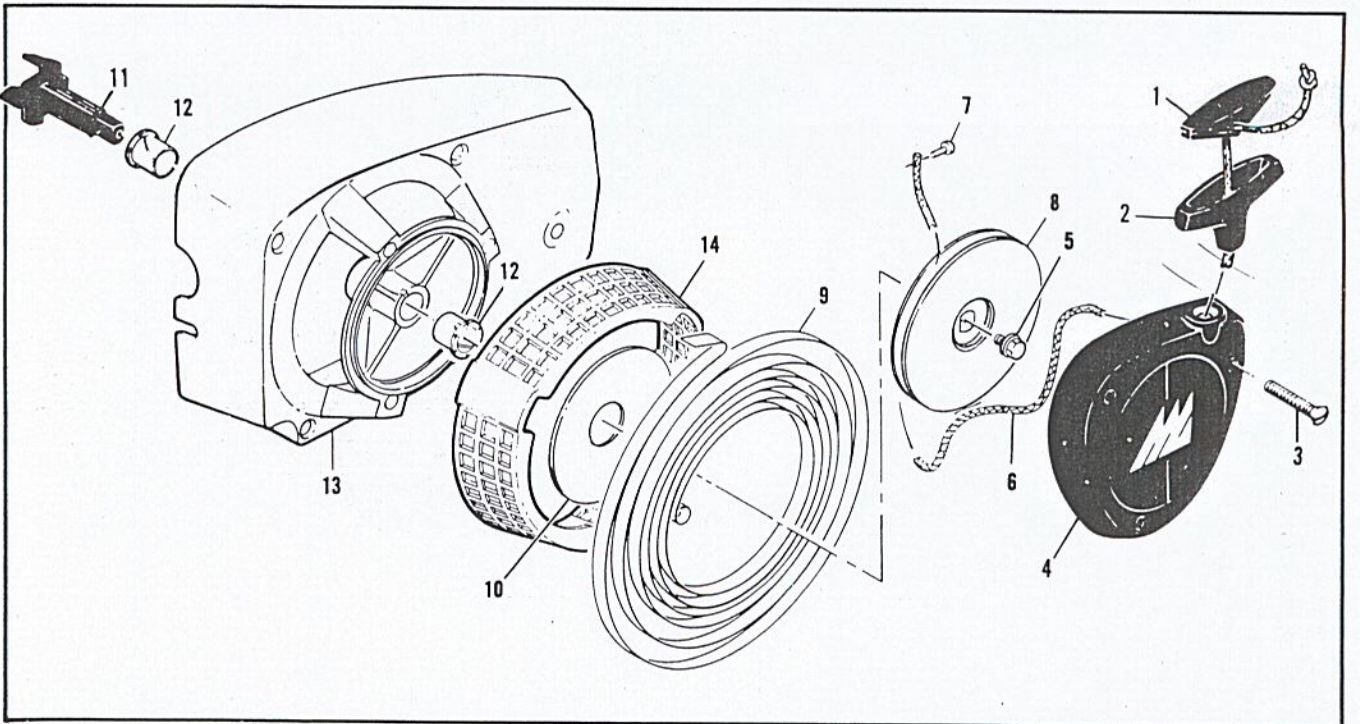


Figure 3. Fan Housing & Starter Assemblies

FIGURE 2. CHAIN BRAKE ASSEMBLY.

ITEM NO.	PART NUMBER	DESCRIPTION	UNITS PER ASY.
	216078	CHAIN BRAKE Asy	
1	102500	. Screw-Pan hd 10-24 x 1/2	1
2	91273	. Washer-Special	1
3	215911	. Lever Asy	1
4	214366	. . Pin Asy-Roller	1
5	93085	. Spring-Brake	1
6	93083	. Latch	1
7	93669	. Pivot-Latch	1
8	93081	. Band-Brake	1

ITEM NO.	PART NUMBER	DESCRIPTION	UNITS PER ASY.
9	93082	. Pin-Band Anchor	1
10	216056	. Housing Asy-Brake	1
11	110527	. . Screw-Fil hd 10-24 x 2-3/4	1
12	110264	. . Washer-#10	1
13	61705	. . Nut-Bar adjusting	1
14	100002	. . Washer-#10	1
15	102067	. . Nut-Hx 10-24	1
16	91246	. . Pin-Lever pivot	1
17	91245	. . Washer-Thrust	1

FIGURE 3. FAN HOUSING and STARTER ASSEMBLY.

ITEM NO.	PART NUMBER	DESCRIPTION	UNITS PER ASY.
	216050	Fan Housing & Starter Asy	1
1	214699	. Insert-Handle	1
2	93137	. Handle-Starter	1
3	110646	. Screw-Oval hd 8-32 x 1-1/8	3
4	91084	. Cover-Starter	1
5	110928	. Screw-Hx hd 10-24 x 1/2	1
6	68162	. Rope-Starter	1
7	110470	. Rivet-Rope	1

ITEM NO.	PART NUMBER	DESCRIPTION	UNITS PER ASY.
8	85122	. Drum-Starter	1
9	87680	. Spring-Rewind	1
10	86053	. Shield-Spring	1
11	83748	. Shaft-Starter	1
12	57535	. Bushing-Starter	2
13	216051	. Housing-Fan	1
14	214192	. Guard-Sawdust	1

SERVICE SPECIFICATIONS.

Spark Plug Gap	.025 inch (.63 mm)
Lamination Gap	.011 to .015 inch (.30 to .40 mm)
Timing	26° BTDC
Clutch Engagement Speed	2800 to 3000 R.P.M.
Torques	Connecting Rod Screws: 65 to 70 pound x inches (8.5 to 9.2 N.m)
	Clutch Nut: 160 to 170 pound x inches (18 to 19 N.m)
	Flywheel Nut: 265 to 325 pound x inches (30 to 37 N.M)

Pro Mac 700

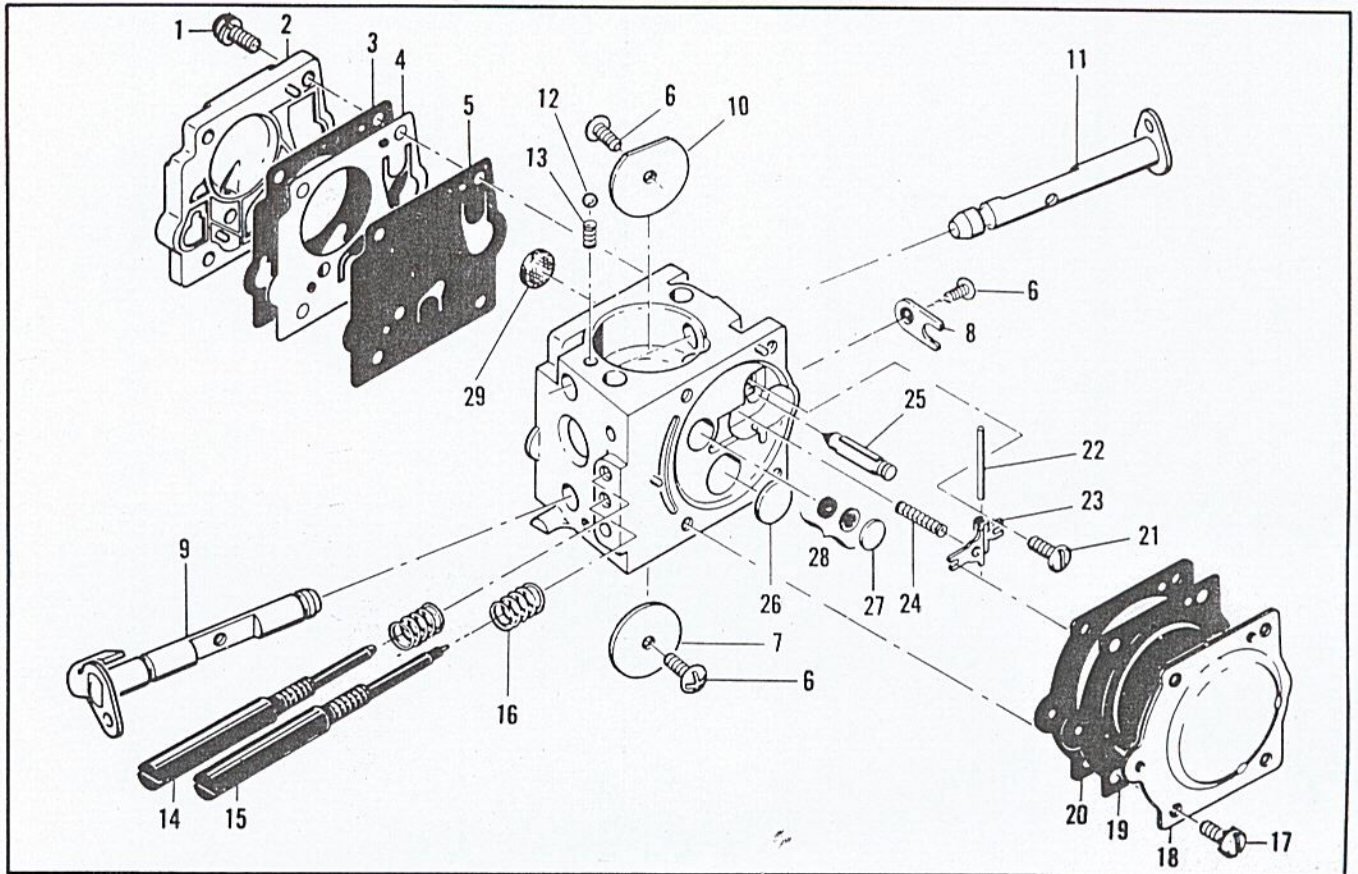


Figure 4. Carburetor Assembly

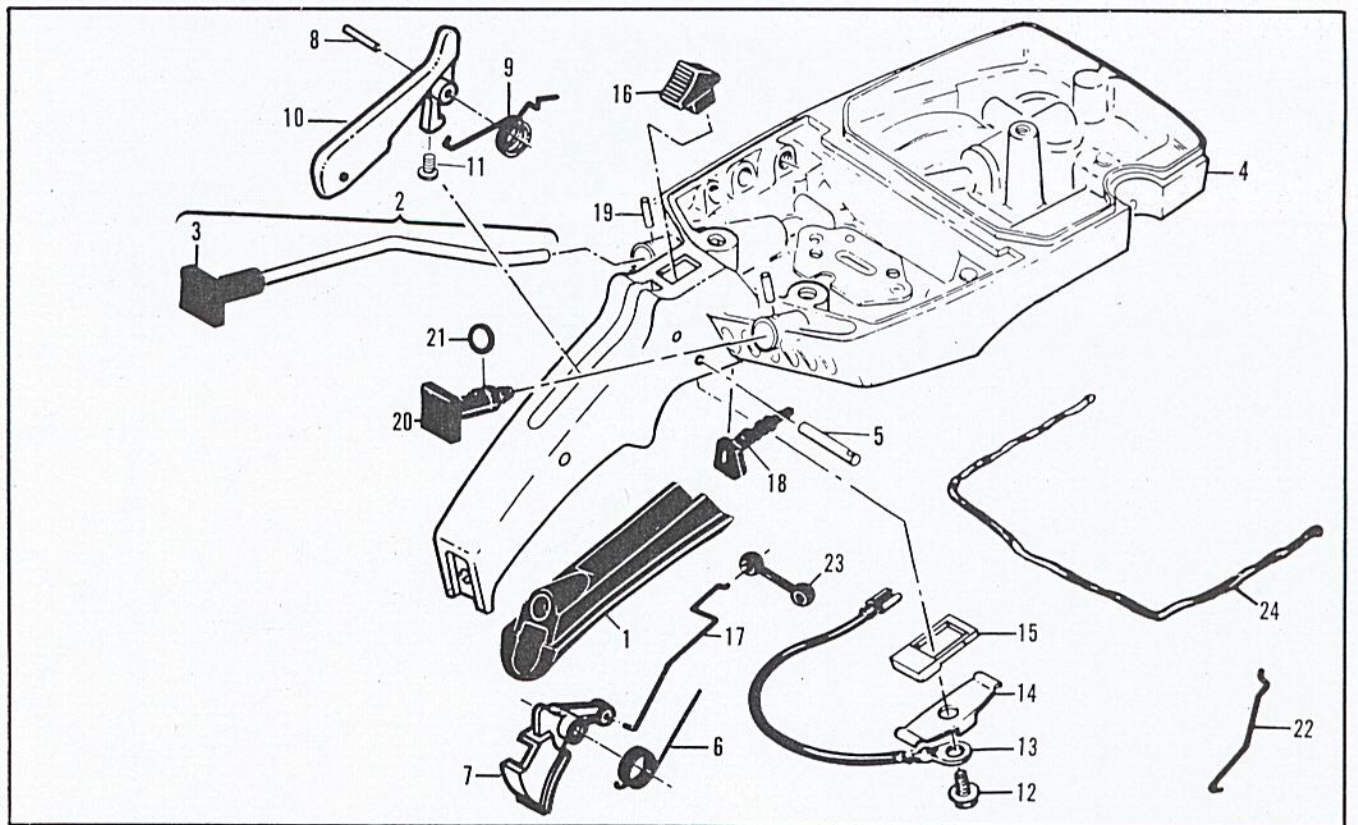


Figure 5. Fuel Tank Assembly

FIGURE 4. CARBURETOR ASSEMBLY.

ITEM NO.	PART NUMBER	DESCRIPTION	UNITS PER ASY.
	87666	Carburetor Asy (Walbro)	1
1		. Screw-Pump cover	4
2		. Cover-Pump	1
3	67495 ①②	. Gasket-Cover	1
4	67498 ①②	. Diaphragm-Check valve	1
5	83114 ①②	. Diaphragm-Fuel pump	1
6		. Screw-Plate	3
7		. Plate-Throttle	1
8		. Clip-Shaft	1
9		. Shaft Asy-Throttle	1
10		. Plate-Choke	1
11		. Shaft Asy-Choke	1
12		. Ball-Choke friction	1
13		. Spring-Choke	1
14	87915 ③	. Needle-High speed	1

ITEM NO.	PART NUMBER	DESCRIPTION	UNITS PER ASY.
15	87916 ③	. Needle-Idle	1
16	67502 ③	. Spring-Needle	2
17		. Screw-Diaphragm cover	4
18		. Cover-Diaphragm	1
19	67499 ②①	. Diaphragm-Metering	1
20	67496 ②①	. Gasket-Diaphragm	1
21	67500 ①	. Screw-Lever pin	1
22	67508 ①	. Pin-Lever	1
23	67509 ①	. Lever-Metering	1
24	67503 ①	. Spring-Lever	1
25	67491 ①	. Valve-Needle	1
26	71690 ①	. Plug-3/8	1
27	69506 ①	. Plug-5/16	1
28	83758 ①	. Kit-Valve & Seat Asy	1
29	67507 ①	. Screen-Fuel	1

① Contained in Repair Kit, P/N 216718.

② Contained in Gasket/Diaphragm Kit, P/N 216729.

③ Contained in Needle Kit, P/N 216728.

NOTE: Items not listed with part numbers are shown for identification and disassembly sequence purposes only. They are NOT available as service parts.

TOOLS and ACCESSORIES.

PART NUMBER	DESCRIPTION
216058	Key-Socket-9/64
216063	Key-Socket-5/32
84453	Kit-Piston tool
69191	Kit-Pressure test adaptor
214223	Spark Plug (standard)
63432	Spark Plug (cooler)

PART NUMBER	DESCRIPTION
62827	Wrench/Screwdriver
83235	Scrench
91226	Wrench-Clutch retaining
86419	Guide-Timing
92993	Baffle-Spark arrester

FIGURE 5. FUEL TANK ASSEMBLY.

ITEM NO.	PART NUMBER	DESCRIPTION	UNITS PER ASY.
1	89320	Insert-Handle grip	1
2	216126	Button & Rod Assembly	1
3	95615	. Button-Oiler	1
4	214705	Kit-Fuel tank/control	1
5	110378	. Pin-Roll 3/16 x 15/16	1
6	92152	. Spring-Trigger	1
7	214679	. Trigger-Throttle	1
8	105654	. Pin-Roll 1/8 x 7/8	1
9	92154	. Spring-Trigger release	1
10	94275	. Release Asy-Trigger	1
11	111012	. Screw-Pn hd 4-40 x 5/16	1
12	110706	. Screw-Pn hd 8-18 x 1/2	1

ITEM NO.	PART NUMBER	DESCRIPTION	UNITS PER ASY.
13	214692	. Wire Asy-Stop switch	1
14	62451	. Control-Switch	1
15	214691	. Base-Switch	1
16	68846	. Button-Switch	1
17	85107	Rod-Throttle	1
18	214701	Seal-Throttle rod	1
19	105673	Pin-Roll 3/32 x 9/16	2
20	69041	Button-Choke	1
21	105614	"O" Ring	1
22	69042	Rod-Choke	1
23	69043	Snubber-Rod	1
24	69564 ①	Seal-Airbox	1

① Furnished on 1/-1/2 inch strip containing 9 beads (enough for 9 replacements).

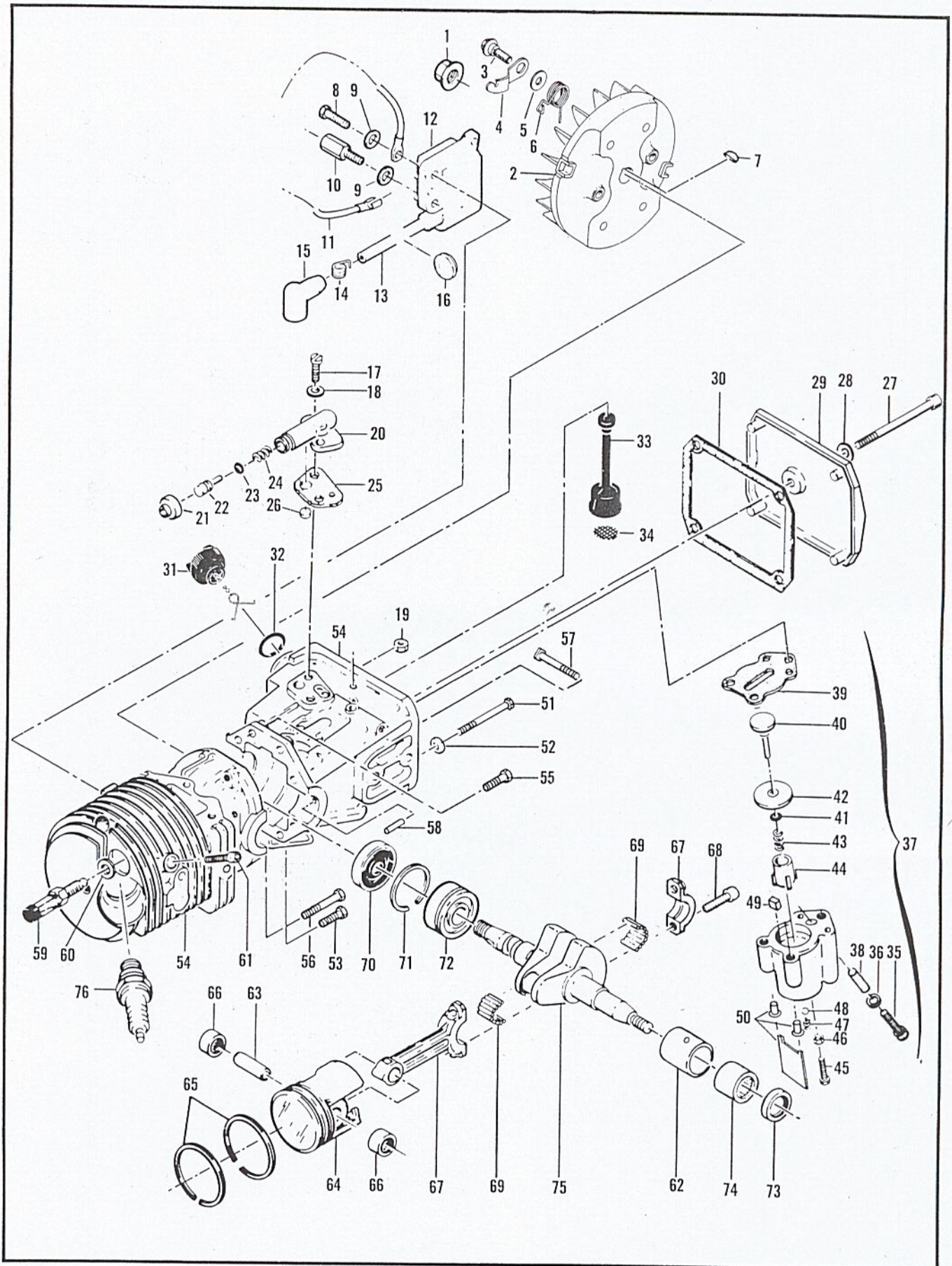


Figure 6. Powerhead Assembly

FIGURE 6. POWERHEAD ASSEMBLY.

ITEM NO.	PART NUMBER	DESCRIPTION	UNITS PER ASY.	ITEM NO.	PART NUMBER	DESCRIPTION	UNITS PER ASY.
1	110703	Nut-Hx 3/8-24	1	39	92874	. Seal-Pulse pump	1
2	214105	Flywheel Assembly	1	40	214278	. Piston Assembly-Pump	1
3	93464	. Screw-Pawl	2	41	105603	. "O" Ring	1
4	93198	. Pawl-Starter	2	42	86182	. Ring-Piston	1
5	93469	. Washer-Pawl	2	43	60259	. Spring-Piston	1
6	214102	. Spring-Pawl	2	44	62227	. Sleeve-Adjustment	1
7	100106	Key-Woodruff	1	45	110386	. Screw-Hx hd 8-32 x 1	1
8	110127	Screw-Hx hd 10-24 x 7/8 (SEMS)	1	46	100251	. Nut-Hex 8-32	1
9	100002	Washer-#10	2	47	92844	. Spring-Outlet valve	1
10	83512	Stud-Special	1	48	102809	. Ball	1
11	84686A	Wire Assembly-Ground	1	49	91259	. Pad-Pump	1
12	95553	Electronic Ignition	1	50	215246	. Kit-Oil pump clip	1
13	95269	. Wire Assembly-Spark plug	1	51	62106	Screw-Sealing	4
14	102556	. . Connector	1	52	111025	Washer-Sealing	4
15	95266	. . Boot	1	53	110288	Screw-Hx hd 8-32 x 3/4	1
16	110995	. Grommet	1	54	214671	Crankcase Assembly	1
17	110338	Screw-Pan hd 8-32 x 1/2	2	55	110288	. Screw Asy-Hx hd 8-32 x 3/4	2
18	110613	Washer-#8	2	56	110618	. Screw Asy-Hx hd 8-32 x 1-3/8	1
19	100955	Nut-Hx 8-32	1	57	62065	. Bolt-Bar mounting.	2
20	84156	Housing-Pump	1	58	110851	. Pin-Dowel	1
21	62262	Cap-Housing	1	59	94273	Valve-DSP	1
22	62266	Plunger-Pump	1	60	214765	Washer-Valve	1
23	105614	"O" Ring	1	61	110681	Screw-Skt hd 10-24 x 1/4	1
24	66687	Spring-Pump	1	62	87152	Insert-Bearing	1
25	91669	Gasket-Pump	1	63	69020	Pin-Piston	1
26	91668	Valve-Pump	1	64	85239	Piston Assembly	1
27	110291	Screw-Pan hd 10-24 x 2 5/8	1	65	89732	. Ring Set-Piston (thin)	1
28	110921	Washer-Sealing	1	66	110590	. Bearing-Needle	2
29	86304	Cover-Oil tank	1	67	85352	Connecting Rod Assembly	1
30	86306	Gasket-Cover	1	68	61627A	. Screw-Skt hd special	2
31	216156	Cap-Oil tank	1	69	63225	. Roller-Needle (set of 20)	1
32	101148	"O" Ring	1	70	61618	Seal-Oil	1
33	91672	Hose Assembly-Oil	1	71	63464	Ring-Snap	1
34	51506	. Screen-Hose	1	72	63429B	Bearing-Ball	1
35	110865	Screw-Hx hd 10-24 x 7/8	1	73	110260	Seal-Oil	1
36	100003	Washer-#10	1	74	104357	Bearing-Needle	1
37	215339	Kit-Pulse pump	1	75	87699	Crankshaft	1
38	91774	. Sleeve	1	76	214406	Spark Plug	1