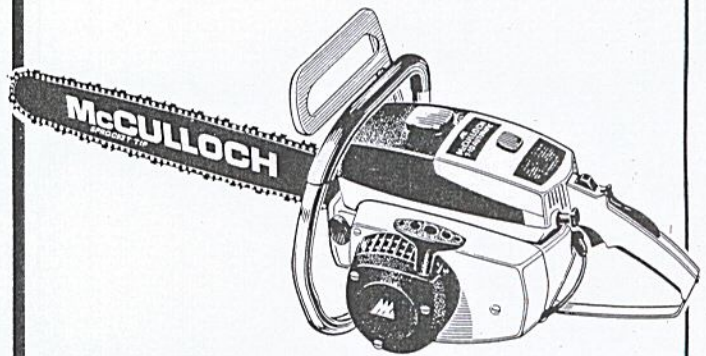


# ILLUSTRATED PARTS LIST

MODELS	SERIAL NUMBER PREFIX	MODELS	SERIAL NUMBER PREFIX
600052A	16-, 17-	600052D	16-, 17-
600052B	16-, 17-	600052E	16-, 17-

## Model 7-10A Chain Saw



McCulloch 7-10A chain saws are identified by a model number (600052) followed by a suffix letter (A, B, D or E) stamped on the identification plate attached to the saw. Suffix letters denote variations in parts or assemblies in the manufacture of the saw.

Part numbers listed in this IPL which have a suffix letter or letters following the description, indicate the part is used only on the model(s) identified by the letter or letters.

Part numbers and descriptions without suffix letter or letters apply to all models of the 7-10A chain saw.

Part numbers which have one or more dots (.) preceding their description may be ordered individually but they are also included in the kit or assembly whose description begins directly above the dot(s).

Part numbers which have changed since the previous printing of the IPL covering these saws, are indicated by a dash (-) preceding the new part number.

The policy of McCulloch Corporation is one of continual improvement in design, manufacturing and engineering advancement wherever possible to assure still finer two-cycle power tools. Hence, specifications, equipment, colors, design and manufacturer's suggested list prices are subject to change without notice and McCulloch Corporation reserves the right to make such changes without prior notification or obligation to backfit or supply backfit components for units previously shipped from the factory.

**JULY 1976**

- CONTENTS -

	<u>Page</u>
Figure 1. General .....	2
Figure 2. CHAIN BRAKE Assembly ....	4
Figure 3. Fan Housing & Starter Asys ..	4
Figure 4. Carburetor Assembly .....	6
Figure 5. Carburetor Assembly .....	6
Figure 6. Carburetor Assembly .....	8
Figure 7. Fuel Tank Assembly .....	8
Figure 8. Powerhead Assembly .....	10
Service Specifications .....	5
Accessories .....	9



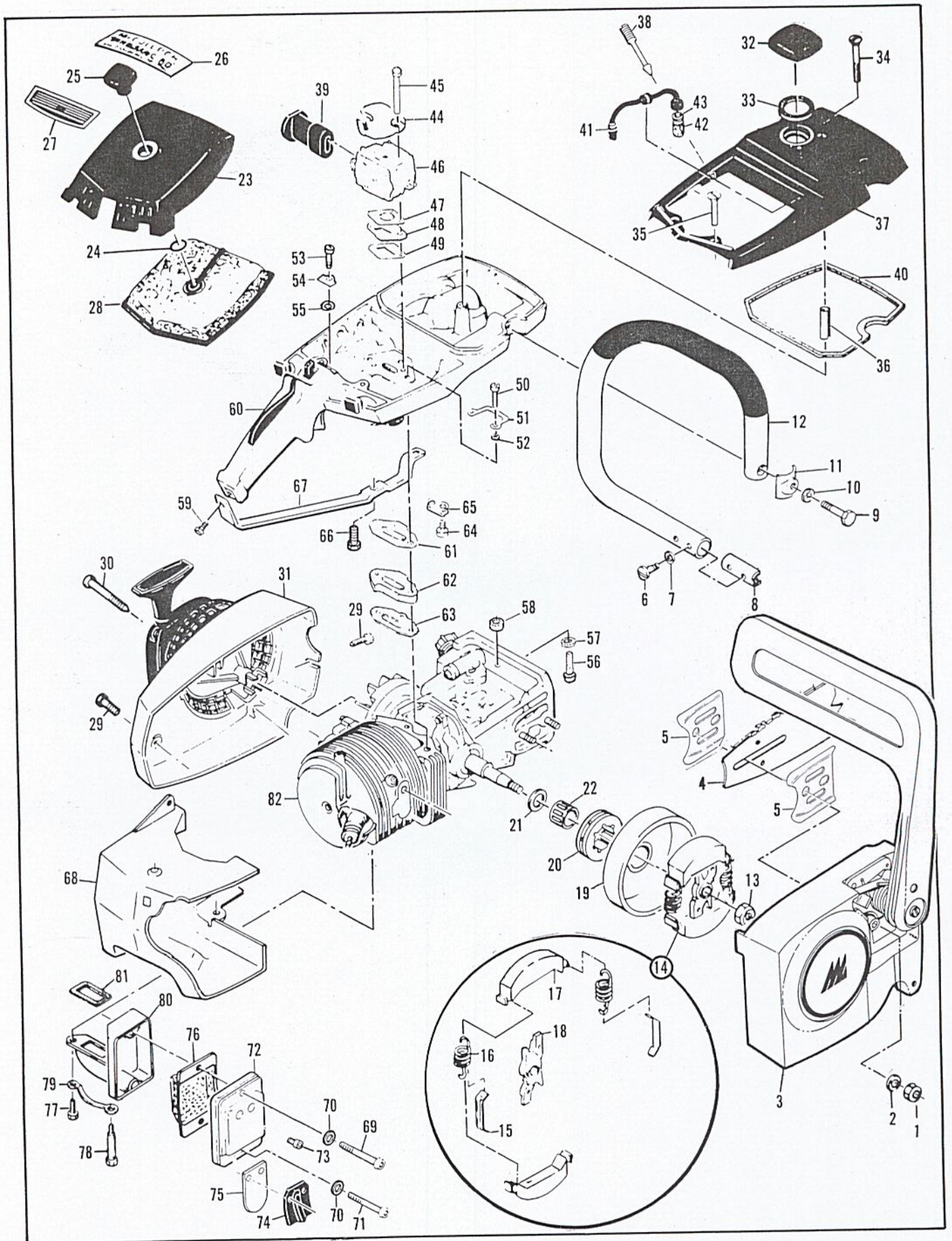


Figure 1. General

Figure 1. General

Item No.	Part Number	Description	Units Per Assy	Item No.	Part Number	Description	Units Per Assy
1	110454	Nut-Hx 5/16-24	2	41	64848	Hose Assy-Fuel	1
2	100440	Washer-5/16	2	42	63932	. Filter-Fuel	1
3		CHAIN BRAKE (Fig 2)		43	100440	. Washer	1
4		Bar and Chain		44	83204	Kit-Air cleaner bracket	1
5	64330	Set - Bar plates	1	45	103357	. Bolt-Hx hd 10-24 x 2-1/4	2
6	110865	Screw-Hx hd 10-24 x 7/8	2	46		Carburetor Assy (Fig 4,5,6)	1
7	100352	Washer-#10	2	47	86189	Gasket-Carburetor	1
8	89727	Retainer-Frame	1	48	84078	Spacer-Carburetor	1
9	102130	Screw-Hx hd 1/4-20 x 1-1/2	1	49	84081	Gasket-Spacer	1
10	100153	Washer-Lock 1/4	1	50	110567	Screw-Hx hd 12-24 x 1-1/4	2
11	63484	Clamp-Frame	1	51	68582	Plate-Lock	1
12	87686	Frame & Grip Assy	1	52	102115	Washer-#12	2
13	86113	Nut-Hx 3/8-24 (L.H.)	1	53	110568	Screw-Hx hd 12-24 x 1-1/8	1
14	87675	Clutch Assy	1	54	69516	Plate-Lock	1
15	64583	. Retainer-Spring	2	55	64856	Washer-Special	1
16	83223	. Spring-Clutch	2	56	110713	Screw-Skt hd 10-24 x 7/8	1
17	67233	. Shoe-Clutch	2	57	100003	Washer-#10	1
18	89438	. Rotor-Clutch	1	58	69772	Spacer-Fuel tank	1
19	86942	Drum & Sprocket Assy 7T .375P (A)	1	59	110910	Screw-Hx hd 10-24 x 1-3/8	1
20	86344	. Sprocket-7T .375P (A)	1	60		Fuel Tank Assy (Fig 7)	1
21	86958	. Washer-Sprocket (A)	1	61	84082	Gasket-Fuel tank	1
(19)	86946	Drum & Sprocket Assy 7T .375P (B,D,E)	1	62	84080	Insulator-Fuel tank	1
(20)	86951	. Sprocket-7T .375P (B,D,E)	1	63	68594	Gasket-Insulator	1
(21)	86958	. Washer-Sprocket (B,D,E)	1	64	110566	Screw-Hx hd 10-24 x 5/8	1
22	110330	Bearing-Sprocket	1	65	68508	Plate-Lock	1
23	68530A	Cover Assy-Air cleaner	1	66	110682	Screw-Hx hd 10-24 x 5/8	1
24	110565	. Ring-Retainer	1	67	85007	Brace-Handle	1
25	68529	. Knob-Cover	1	68	85731A	Shroud	1
26	91545	Plate-Name	1	69	-110473	Screw-Skt hd 10-24 x 1-5/8	1
27	91548	Plate-Instruction (A,B,D)	1	70	24236	Washer-Special	2
(27)	91881	Plate-Instruction (E)	1	71	-104560	Screw-Skt hd 10-24 x 1-1/2	1
28	69922	Filter-Air	1		65532	Cover & Valve Assy - Muffler	1
29	110741	Screw-Pan hd 10-24 x 1/2	2	72	65419	. Cover & Shield Assy	1
30	87871	Screw-Special	3	73	110472	. Screw-Skt hd 8-32 x 5/16	2
31		Fan Housing & Starter Assy (Fig 3)		74	84780	. Stop-Reed	1
32	89322	Cap Assy-Fuel	1	75	84779	. Valve-Reed	1
33	69767	. Gasket	1	76	85152	Baffle-Muffler (A)	1
34	110402	Screw-Oval hd 12-24 x 2-3/8	1	77	110529	Screw-Hx hd 10-24 x 1/2	1
35	103579	Screw-Fil hd 10-24 x 1	2	78	68187	Screw-Special	1
36	87840	Spacer	1	79	67922	Plate-Lock	1
37	69679	① Cover-Fuel tank	1	80	87663	Body & Duct Assy	1
(37)	-88650	② Cover-Fuel tank	1	81	84007	Gasket-Spark arrester	1
38	-87932	② Screw-Idle adjust	1	82		Powerhead Assy (Fig 8)	1
39	-87665	② Boot-Carburetor adjust	1				
40	69345	Gasket-Cover	1				

① Used on models with serial number prefix 16-; but not 16- with suffix letter D and serial number 16001 and above.

② Used on models with serial number prefix 17-; also 16- with suffix letter D and serial number 16001 and above.

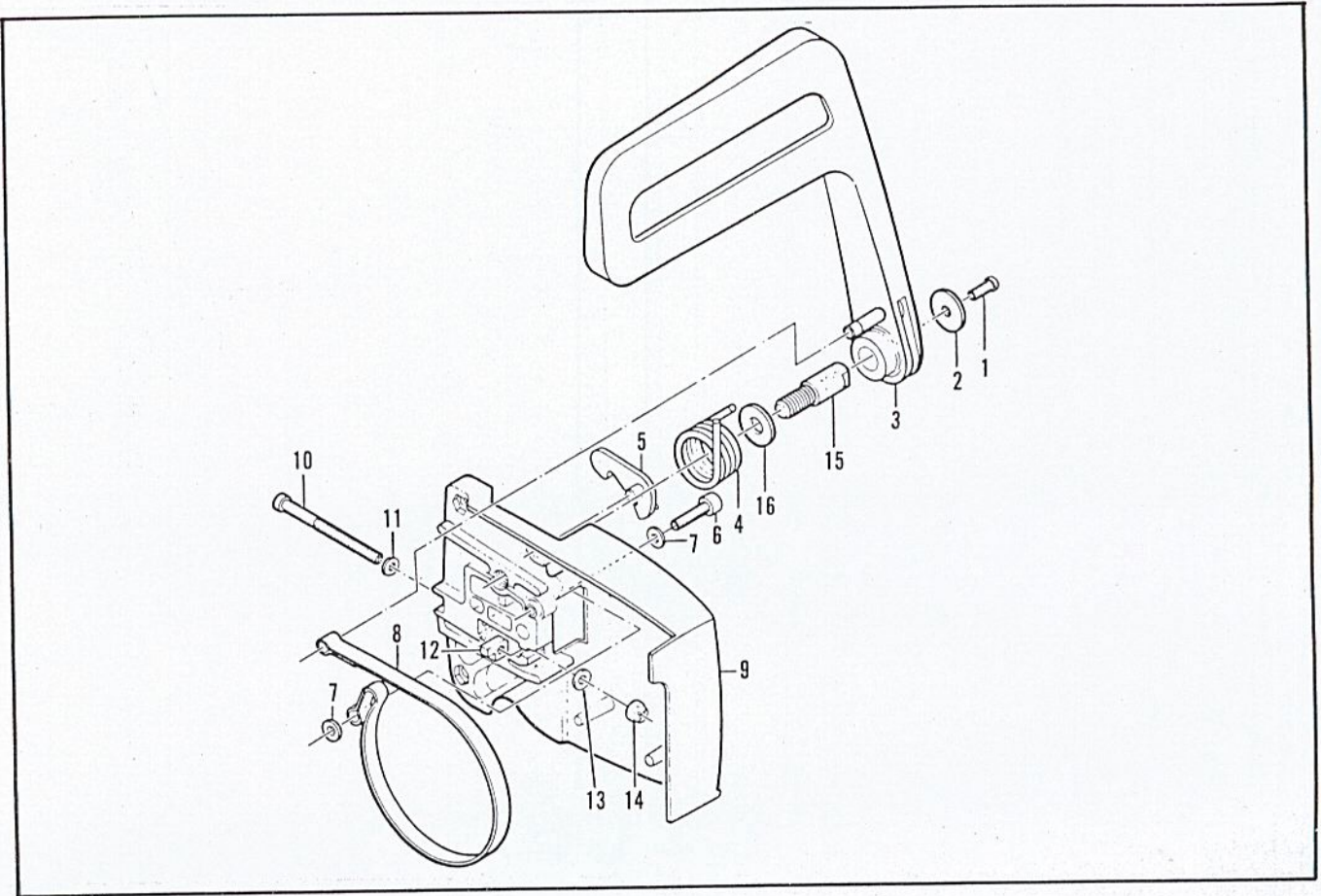


Figure 2. CHAIN BRAKE Assembly

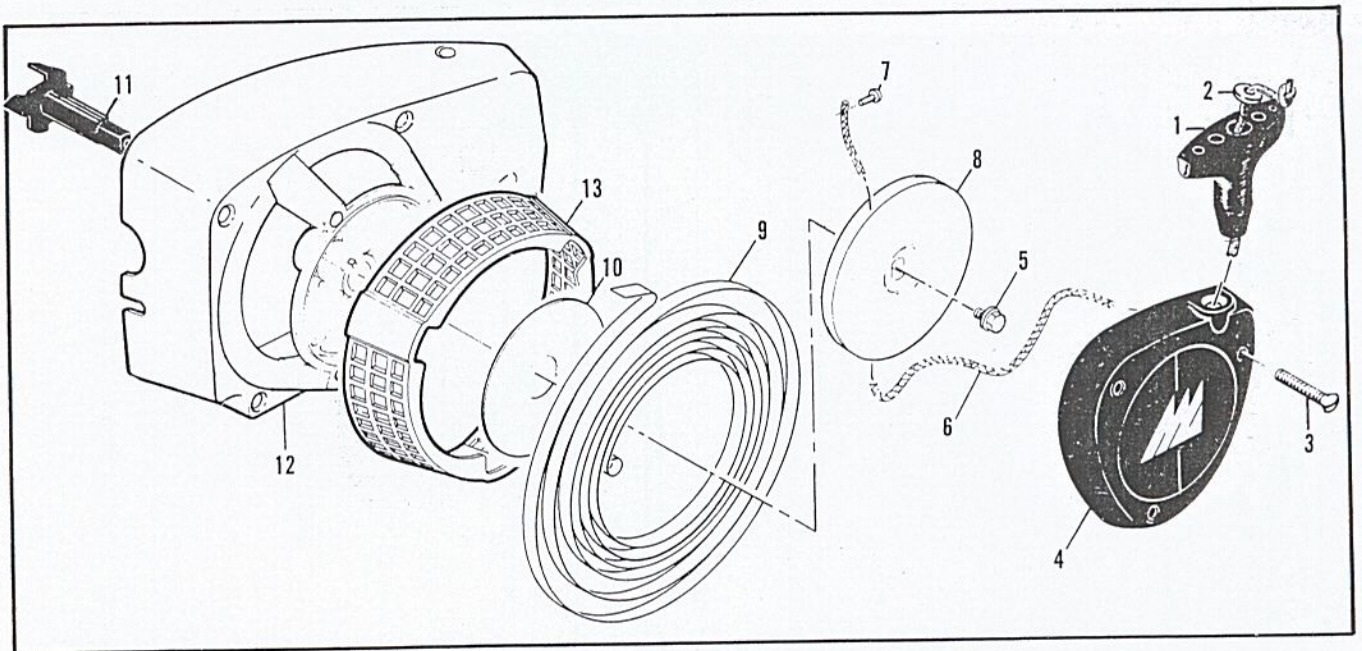


Figure 3. Fan Housing and Starter Assemblies

Figure 2. CHAIN BRAKE Assembly

Item No.	Part Number	Description	Units Per Asy
	91278	CHAIN BRAKE Assembly	1
1	102500	. Screw-Pan hd 10-24 x 1/2	1
2	91273	. Washer-Special	1
3	91251	. Lever Assembly	1
4	91239	. Spring	1
5	91235A	. Latch Assembly	1
6	105738	. Screw-Skt hd 1/4-20 x 7/8	1
7	91274	. Washer-Special	2

Item No.	Part Number	Description	Units Per Asy
8	91238	. Band	1
9	91249	. Housing Assembly	1
10	110527	. . Screw-Fil hd 10-24 x 2-3/4	1
11	110264	. . Washer-#10	1
12	61705	. . Nut-Bar adjusting	1
13	100002	. . Washer-#10	1
14	102067	. . Nut-Hx 10-24	1
15	91246	. Pin-Lever pivot	1
16	91245	. Washer-Thrust	1

Figure 3. Fan Housing &amp; Starter Assemblies

Item No.	Part Number	Description	Units Per Asy
1	91255	Kit-Starter handle	1
2	105490	. Washer-Starter handle	1
	87667	Fan Housing & Starter Asy	1
3	110646	. Screw-Oval hd 8-32 x 1-1/8	3
4	87672	. Cover-Starter	1
5	110341	. Screw-Hx hd 10-24 x 1/2	1

Item No.	Part Number	Description	Units Per Asy
6	68162	. Rope-Starter	1
7	110470	. Rivet-Rope	1
8	85122	. Drum-Starter	1
9	87680	. Spring-Rewind	1
10	86053	. Shield-Spring	1
11	83748	. Shaft-Starter	1
12	87693	. Kit-Fan Housing	1
13	87674	. . Guard-Sawdust	1

## Service Specifications

Spark Plug Gap	-	.025 inch (.63 mm)
Lamination Gap	-	.010 to .012 inch (.25 to .30 mm)
Breaker Point Gap	-	.019 to .020 inch (.48 to .51 mm)
Timing	-	26° BTDC
Clutch Engagement Speed	-	2800 to 3000 R.P.M.
Torques	-	Connecting Rod Screws: 65 to 70 inch/pounds (75 to 81 cm/kg)
		Clutch Nut: 160 to 170 inch/pounds (184 to 196 cm/kg)
		Flywheel Nut: 265 to 325 inch/pounds (305 to 374 cm/kg)

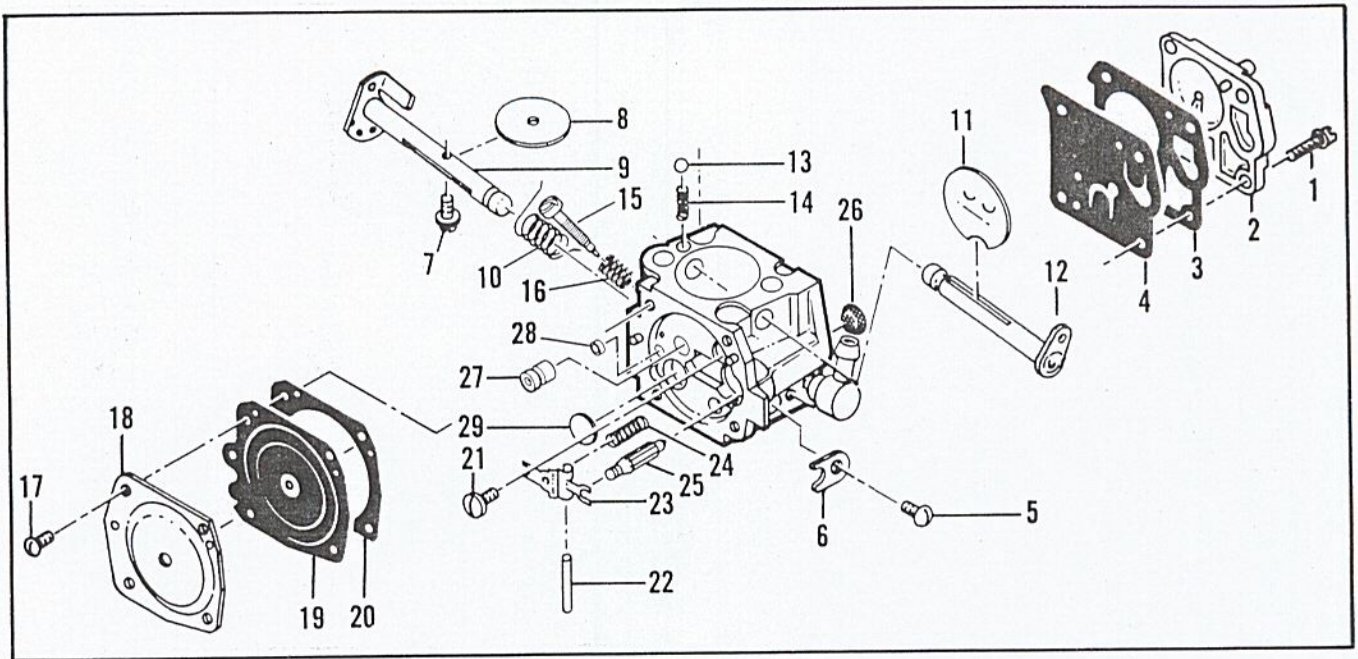


Figure 4. Carburetor Assembly

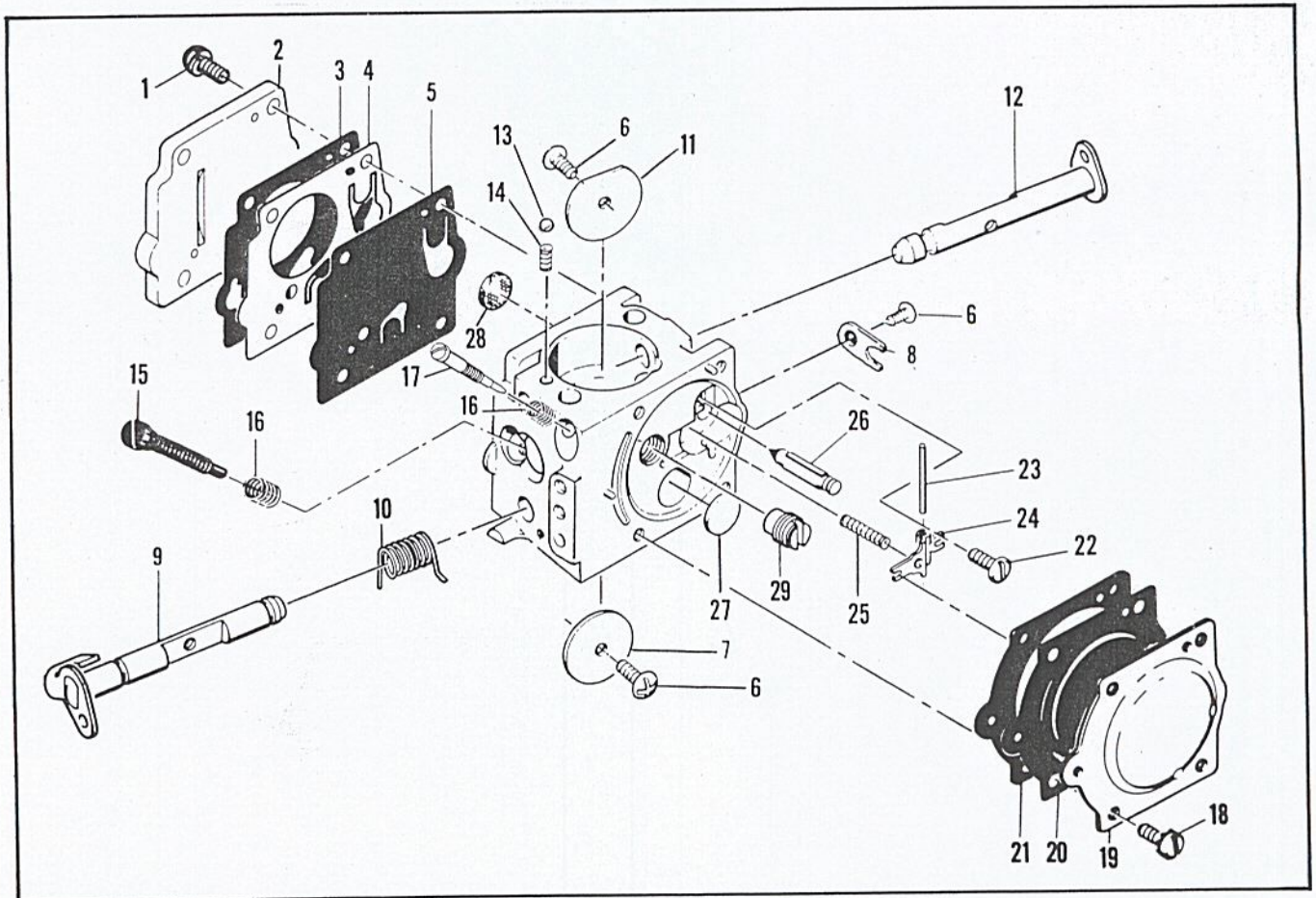


Figure 5. Carburetor Assembly

Figure 4. Carburetor Assembly

Item No.	Part Number	Description	Units Per Asy	Item No.	Part Number	Description	Units Per Asy
	91121	① Carburetor Asy (HS 165A)	1	18	83724	. Cover-Diaphragm	1
1	52933	. Screw-Pump cover	4	19	66632	③ . Diaphragm-Metering	1
2	66628	. Cover-Pump	1	20	66633	② . Gasket-Diaphragm	1
3	66629	② . Gasket-Pump cover	1	21	66644	④ . Screw-Inlet lever pin	1
4	66630	③ . Diaphragm-Fuel pump	1	22	66636	④ . Pin-Inlet lever	1
5	48780	. Screw-Throttle shaft clip	1	23	66638	④ . Lever-Inlet	1
6	66646	. Clip-Throttle shaft	1	24	66404	④ . Spring-Inlet lever	1
7	48780	④ . Screw-Throttle plate	1	25	66637	. Needle-Inlet	1
8	51720	. Plate-Throttle	1	26	66623	④ . Screen-Fuel inlet	1
9	87922	. Shaft Asy-Throttle	1	27	88771	. Jet-H/S fuel (029)	1
10	67136	④ . Spring-Throttle shaft	1		88772	Jet-H/S fuel (028)	A lt.
11	65856	. Plate-Choke	1		88781	Jet-H/S fuel (027)	A lt.
12	83725	. Shaft Asy-Choke	1	28	52928	. Plug-Cup	1
13	100071	. Ball-Choke friction	1	29	66622	④ . Plug-Welch	1
14	48759	. Spring-Choke friction	1		88774	③ Set-Gasket	
15	88768	. Needle-Idle mixture	1		88776	④ Set-Gasket & Diaphragm	
16	66626	. Spring-Idle	1		88775	Kit-Repair	
17	51721	. Screw-Diaphragm cover	4				

Note: Before ordering parts, identify carburetor on saw.

- ① This is one of two carburetors used alternately on models with serial number prefix 16-; but not 16- with suffix letter D and serial number 16001 and above.
- ② Contained in Gasket Set, P/N 88774.
- ③ Contained in Gasket & Diaphragm Set, P/N 88776.
- ④ Contained in Repair Kit, P/N 88775.

Figure 5. Carburetor Assembly

Item No.	Part Number	Description	Units Per Asy	Item No.	Part Number	Description	Units Per Asy
	91275	① Carburetor Asy (SDC58)	1	17	90345	. Needle-Idle mixture	1
1	67501	. Screw-Pump cover	4	18	70798	. Screw-Diaphragm cover	4
2	88731	. Kit-Pump cover	1	19	83761	. Cover-Diaphragm	1
3	88617	② . Gasket-Cover	1	20	67499	③ . Diaphragm-Metering	1
4	67498	③ . Diaphragm-Check valve	1	21	67496	② . Gasket-Diaphragm	1
5	83114	③ . Diaphragm-Fuel pump	1	22	67500	③ . Screw-Lever pin	1
6	47690	③ . Screw-Plate	3	23	67508	③ . Pin-Lever	1
7	83762	. Plate-Throttle	1	24	67509	③ . Lever-Inlet	1
8	67489	. Clip-Shaft	1	25	67503	③ . Spring-Lever	1
9	67486	. Shaft Asy-Throttle	1	26	67491	③ . Valve-Needle	1
10	85981	. Spring-Throttle return	1	27	71690	③ . Plug-3/8	1
11	67490	. Plate-Choke	1	28	67507	③ . Screen-Fuel	1
12	67488	. Shaft Asy-Choke	1	29	90350	. Jet-H/S fuel (28)	1
13	100302	③ . Ball-Choke friction	1		90351	Jet-H/S fuel (26)	A lt.
14	67504	③ . Spring-Choke friction	1		90349	Jet-H/S fuel (29)	A lt.
15	68106	③ . Screw-Idle speed	1		88619	③ Set-Gasket	
16	67502	③ . Spring-Idle	2		88620	Kit-Repair	

Note: Before ordering parts, identify carburetor on saw.

- ① This is one of two carburetors used alternately on models with serial number prefix 16-; but not 16- with suffix letter D and serial number 16001 and above.
- ② Contained in Gasket Set, P/N 88619.
- ③ Contained in Repair Kit, P/N 88620.

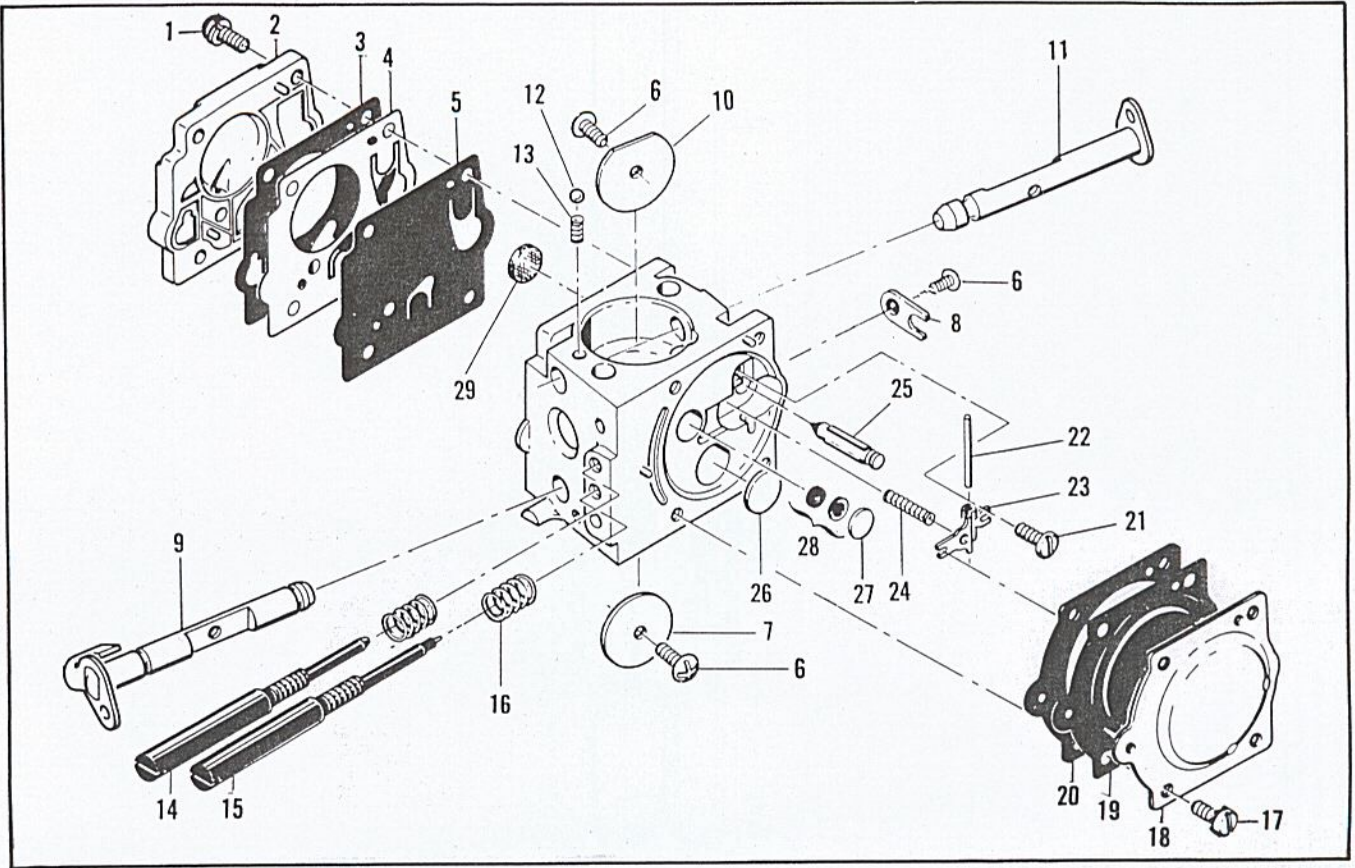


Figure 6. Carburetor Assembly

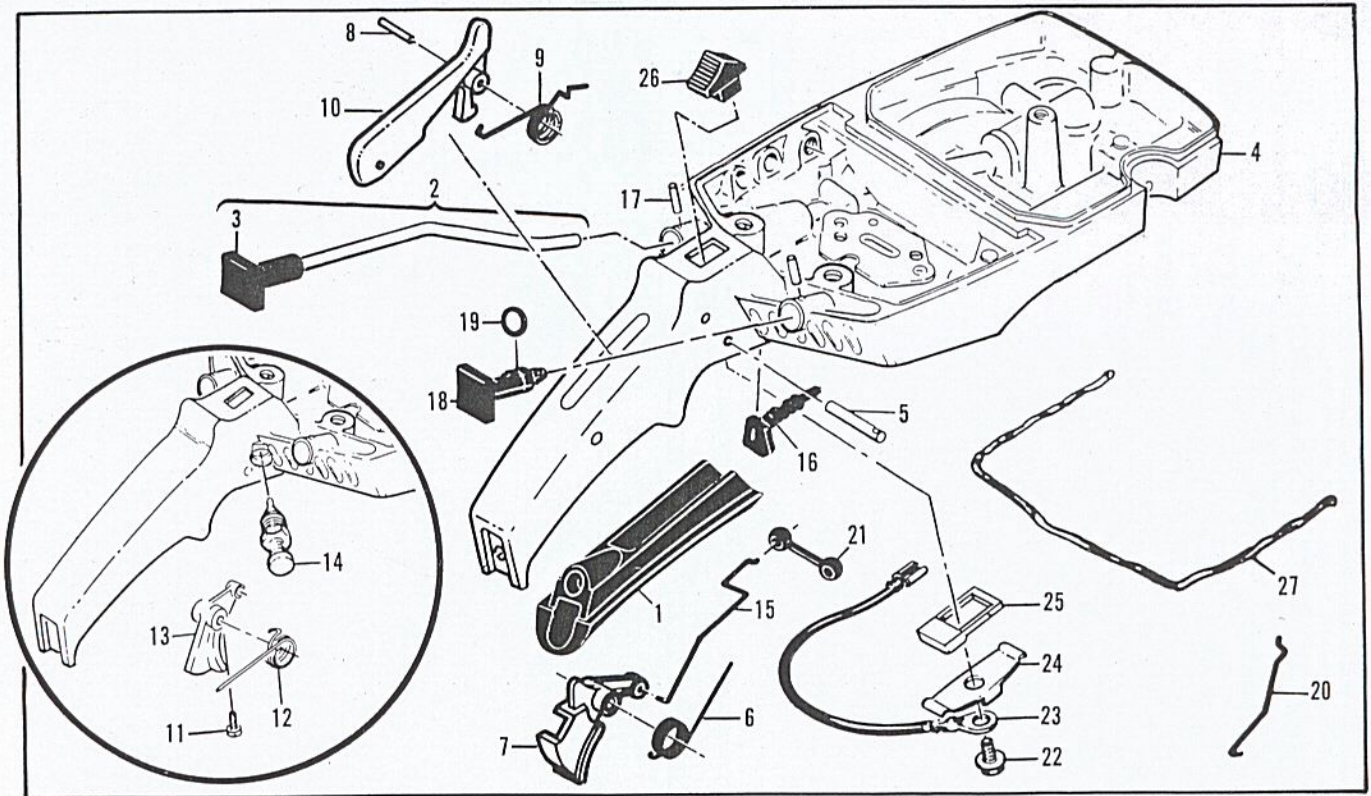


Figure 7. Fuel Tank Assembly



Figure 6. Carburetor Assembly

Item No.	Part Number	Description	Units Per Asy
	87666	① Carburetor Asy	1
1	67501	. Screw-Pump cover	4
2	83760	. Cover-Pump	1
3	67495	. Gasket-Cover	1
4	67498	. Diaphragm-Check valve	1
5	83114	. Diaphragm-Fuel pump	1
6	47690	. Screw-Plate	3
7	83762	. Plate-Throttle	1
8	67489	. Clip-Shaft	1
9	67486	. Shaft Asy-Throttle	1
10	67490	. Plate-Choke	1
11	67488	. Shaft Asy-Choke	1
12	100302	. Ball-Choke friction	1
13	67504	. Spring-Choke	1
14	87915	. Needle-High speed	1

Item No.	Part Number	Description	Units Per Asy
15	87916	. Needle-Idle	1
16	67502	. Spring-Needle	2
17	70798	. Screw-Diaphragm cover	4
18	83761	. Cover-Diaphragm	1
19	67499	. Diaphragm-Metering	1
20	67496	. Gasket-Diaphragm	1
21	67500	. Screw-Lever pin	1
22	67508	. Pin-Lever	1
23	67509	. Lever-Metering	1
24	67503	. Spring-Lever	1
25	67491	. Valve-Needle	1
26	71690	. Plug-3/8	1
27	69506	. Plug-5/16	1
28	83758	. Kit-Valve & Seat Asy	1
29	67507	. Screen-Fuel	1

① Used on models with serial number prefix 17-; also 16- with suffix letter D and serial number 16001 and above.

## Accessories

Part Number	Description
62827	Wrench-Screwdriver
63746	Scrench
86334	Kit-Frame & Grip
84922	Kit- Baffle
83970	Kit-Preheater
86419	Guide-Timing
69191	Kit-Pressure adaptor
84453	Kit-Piston tool

Part Number	Description
63432	Spark Plug (Standard)
63097	Spark Plug (Hotter)
65778	Spark Plug (Cooler)
65370	Kit-Sprocket 7T .354P
86330	Kit-Spike
102388	. Screw-Hx hd 10-24 x 5/8
24236	. Washer-Special
101191	. Nut-Hx 10-24

Figure 7. Fuel Tank Assembly

Item No.	Part Number	Description	Units Per Asy
1	89320	Insert-Handle grip	1
2	64871	Button & Rod Asy	1
3	63044	. Button-Oiler	1
4	-84183A	Kit-Fuel Tank/Control	1
5	110378	. Pin-Roll 3/16 x 15/16	1
6	-92152	①. Spring-Trigger	1
7	-92151	①. Trigger-Throttle	1
8	-105654	①. Pin-Roll 1/8 x 7/8	1
9	-92154	①. Spring-Trigger release	1
10	-92153	①. Release-Trigger	1
11	110668	② Screw-Fil hd 8-36 x 5/8	1
12	87178	② Spring-Throttle return	1
13	88796	② Trigger	1
14	85451	② Latch Asy-Throttle	1

Item No.	Part Number	Description	Units Per Asy
15	85107	Rod-Throttle	1
16	-68522A	Seal-Throttle rod	1
17	105673	Pin-Roll 3/32 x 9/16	2
18	69041	Button-Choke	1
19	105614	"O" Ring	1
20	69042	Rod-Choke	1
21	69043	Snubber-Rod	1
22	110706	Screw-Fil hd 8-18 x 1/2	1
23	62973A	Wire Asy-Stop switch	1
24	62451	Control-Switch	1
25	62950A	Base-Switch	1
26	68846	Button-Switch	1
27	69564	③ Seal-Airbox	1

① Used on models with serial number prefix 17-.

② Used on models with serial number prefix 16-.

③ Furnished on a 12-1/2 inch strip containing 9 beads (enough for 9 replacements).

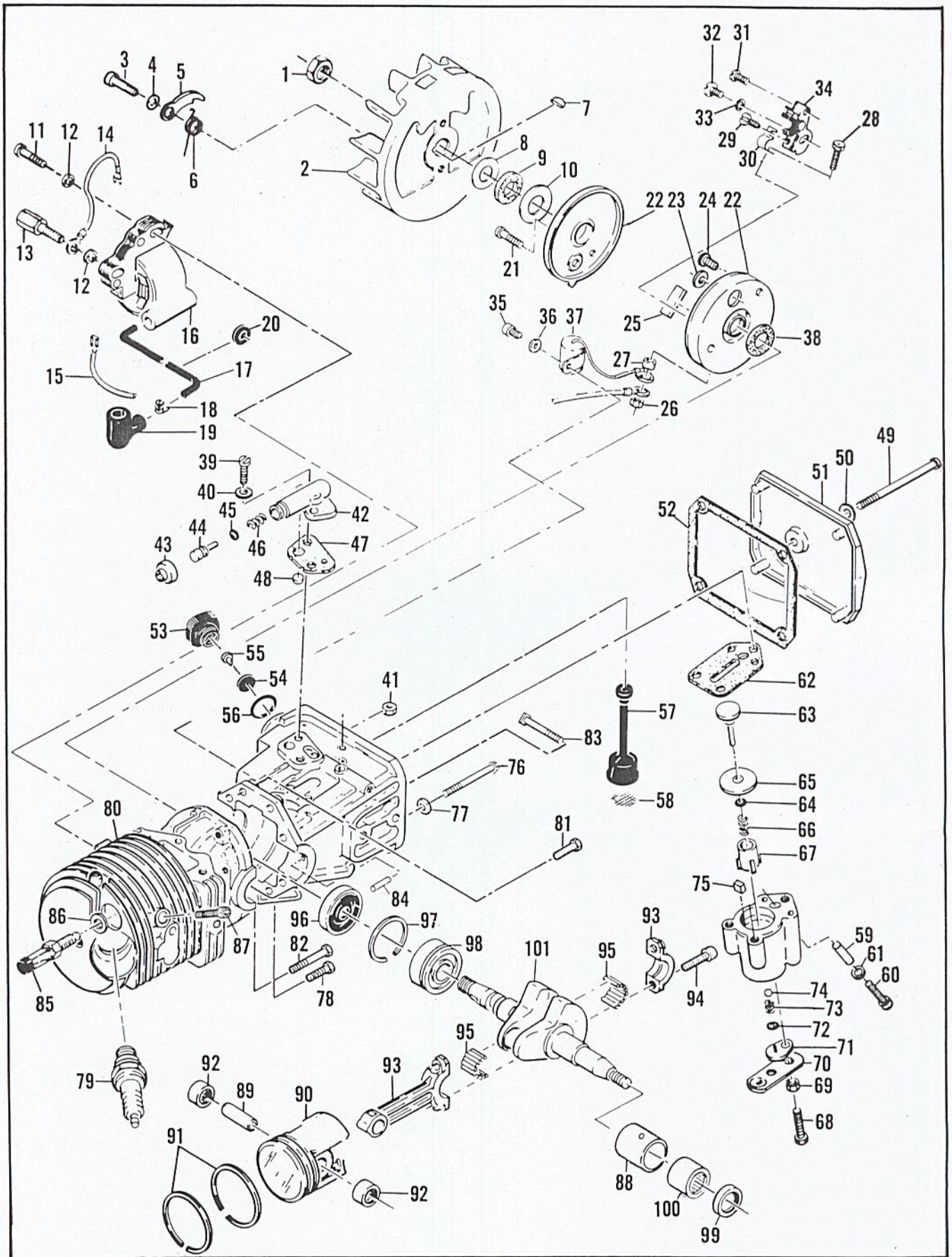


Figure 8. Powerhead Assembly.

Figure 8. Powerhead Assembly

Item No.	Part Number	Description	Units Per Assy	Item No.	Part Number	Description	Units Per Assy
1	110703	Nut - Hex 3/8-24	1	50	110921	Washer - Sealing	1
2	86068	Flywheel	1	51	86304	Cover - Oil tank	1
3	88804	Screw - Pawl pivot	2	52	86306	Gasket - Cover	1
4	83241	Washer - Special	2	53	87270	Cap - Oil tank	1
5	67546	Pawl - Starter	2	54	87269	. Retainer - Valve	1
6	67545	Spring - Pawl	2	55	86402	. Valve - Check	1
7	100106	Key - Woodruff	1	56	101148	"O" Ring	1
8	67057	Washer - Thrust	1	57	91672	Hose Assy - Oil	1
9	67056	Seal - Breaker box cover	1	58	51506	. Screen - Hose	1
10	67054	Washer - Thrust	1	59	91774	Sleeve	1
11	110127	Screw - Hex hd 10-24 x 7/8 (SEMS)	1	60	110865	Screw - Hex hd 10-24 x 7/8	1
12	100002	Washer - #10	2	61	100003	Washer - #10	1
13	83512	Stud - Special	1		-89115A	Pump Assembly - Pulse	1
14	84686	Wire Assy - Ground	1	62	-92818	. Seal - Pulse pump	1
15	69344	Wire Assy - Primary	1	63	60260A	. Piston Assy - Pump	1
16	87246A	Coil & Lamination	1	64	105603	. "O" Ring	1
17	50120	. Wire Assy - Spark plug	1	65	86182	. Ring - Piston	1
18	55061	. . Connector	1	66	60259	. Spring - Piston	1
19	85758	. . Boot	1	67	62227	. Sleeve - Adjustment	1
20	100268	. Grommet	1	68	110386	. Screw - Hex hd 8-32 x 1	1
21	110584	Screw - Pan hd 8-32 x 3/4	1	69	100251	. Nut - Hex 8-32	1
22	91852	Kit - Breaker Box & Cover	1	70	89114	① . Clamp - Pump	1
23	91838	. Washer	1	71	62407	. Cover - Outlet valve	1
24	110489	. Screw - Pan hd 6-32 x 7/16	1	72	106104	. "O" Ring	1
25	54184	Wiper - Cam	1	73	-92844	. Spring - Outlet valve	1
26	100298	Nut - Hex 6-32	1	74	102809	. Ball	1
27	62365	Spacer - Breaker	1	75	91259	. Pad Pump	1
28	110346	Screw - Hex hd 6-32 x 3/4	1	76	62105	Screw Assy - Sealing	4
29	110706	Screw - Pan hd 8-18 x 1/2	1	77	62842	. Washer - Sealing	4
30	83126	Strap - Conduction	1	78	110288	Screw - Hex hd 8-32 x 3/4	1
31	110811	Screw - Pan hd 8-32 x 3/8	1	79	63432	Spark Plug	1
32	-110969	Screw - Hex hd 8-32 x 1/2	1	80	-89711A	Crankcase Assy	1
33	105976	Washer - #8	1	81	110288	. Screw Assy - Hex 8-32 x 3/4	2
34	88808	Breaker Assy	1	82	110618	. Screw Assy - Hex 8-32 x 1-3/8	1
35	110623	Screw - Fil hd 8-32 x 1/2	1	83	62065	. Bolt - Bar mounting	2
36	100080	Washer - #8	1	84	110851	. Pin - Dowel	1
37	85358	Condenser	1	85	87866	Valve - DSP	1
38	67051	Seal - Breaker box	1	86	85505	Washer - Valve	1
39	-110338	Screw - Panhd 8-32 x 1/2	2	87	110681	Screw - Skt hd 10-24 x 1/4	1
40	110613	Washer - #8	2	88	87152	Insert - Bearing	1
41	100955	Nut - Hex 8-32	1	89	69020	Pin - Piston	1
42	84156	Housing - Pump	1	90	85239	Piston Assy	1
43	62262	Cap - Housing	1	91	89732	. RingSet - Piston (thin)	1
44	62266	Plunger - Pump	1	92	110590	. Bearing - Needle	2
45	105614	"O" Ring	1	93	85352	Connecting Rod Assy	1
46	66687	Spring - Pump	1	94	61627A	. Screw - Skt hd special	2
47	91669	Gasket - Pump	1	95	63225	. Roller - Needle (set of 20)	1
48	91668	Valve - Pump	1	96	61618	Seal - Oil	1
49	110291	Screw - Pan hd 10-24 x 2-5/8	1	97	63464	Ring - Snap	1
				98	63429B	Bearing - Ball	1
				99	110260	Seal - Oil	1
				100	104357	Bearing - Needle	1
				101	87699	Crankshaft	1

① Used on models with serial number prefix 16-.