

Models	Serial Number Prefix
600052	11-
600052D	12-
600052B	12-
600052C	12-
600052J	12-
600052A	12-

MAC 7-10A chain saws are identified by a model number (600052) followed by a suffix letter (A, B, C, etc.) stamped on the identification plate attached to the saw. Suffix letters denote variations in parts or assemblies in manufacture of the saw.

Part numbers listed in this I.P.L. and followed by a suffix letter, indicate the part is used on the model identified by that letter.

Example: P/N 83966, Cover-Muffler (D, B, C, A,) (The cover in this example is used only on Models 600052D, 600052B, 600052C and 600052A)

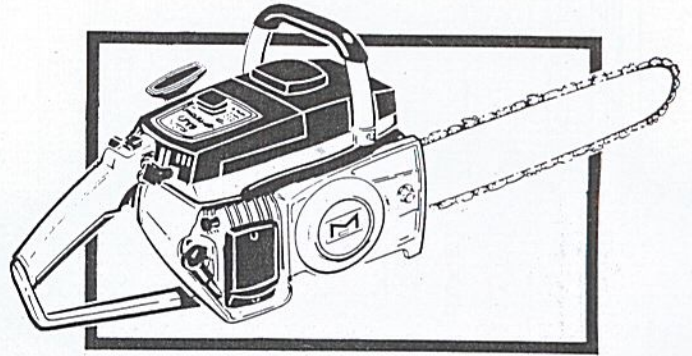
Part numbers listed without suffix letter or letters apply to all models of the MAC 7-10A saw unless specifically noted otherwise.

The policy of McCulloch Corporation is one of continual improvement in design, manufacturing and engineering advancement wherever possible to assure still finer two-cycle power tools. Hence, specifications, equipment, colors, design and manufacturer's suggested list prices are subject to change without notice and McCulloch Corporation reserves the right to make such changes without prior notification or obligation to backfit or supply backfit components for units previously shipped from the factory.

I.P.L. 87679 supersedes and cancels I.P.L. 85573

# MAC 7-10A CHAIN SAW

## ILLUSTRATED PARTS LIST



**MAY 1972**

	Page
Figure 1. General. . . . .	2
Figure 2. Fan Housing & Starter Assemblies. . . . .	4
Figure 3. Fuel Tank Assembly . . . .	4
Figure 4. Carburetor Assembly . . . .	6
Figure 5. Carburetor Assembly . . . .	6
Figure 6. Powerhead Assembly. . . .	8
Figure 7. Bar & Chain Assembly. . . .	10



# McCULLOCH

COPYRIGHT U.S.A. 1972  
McCULLOCH CORPORATION

87679

# MAC 7-10A

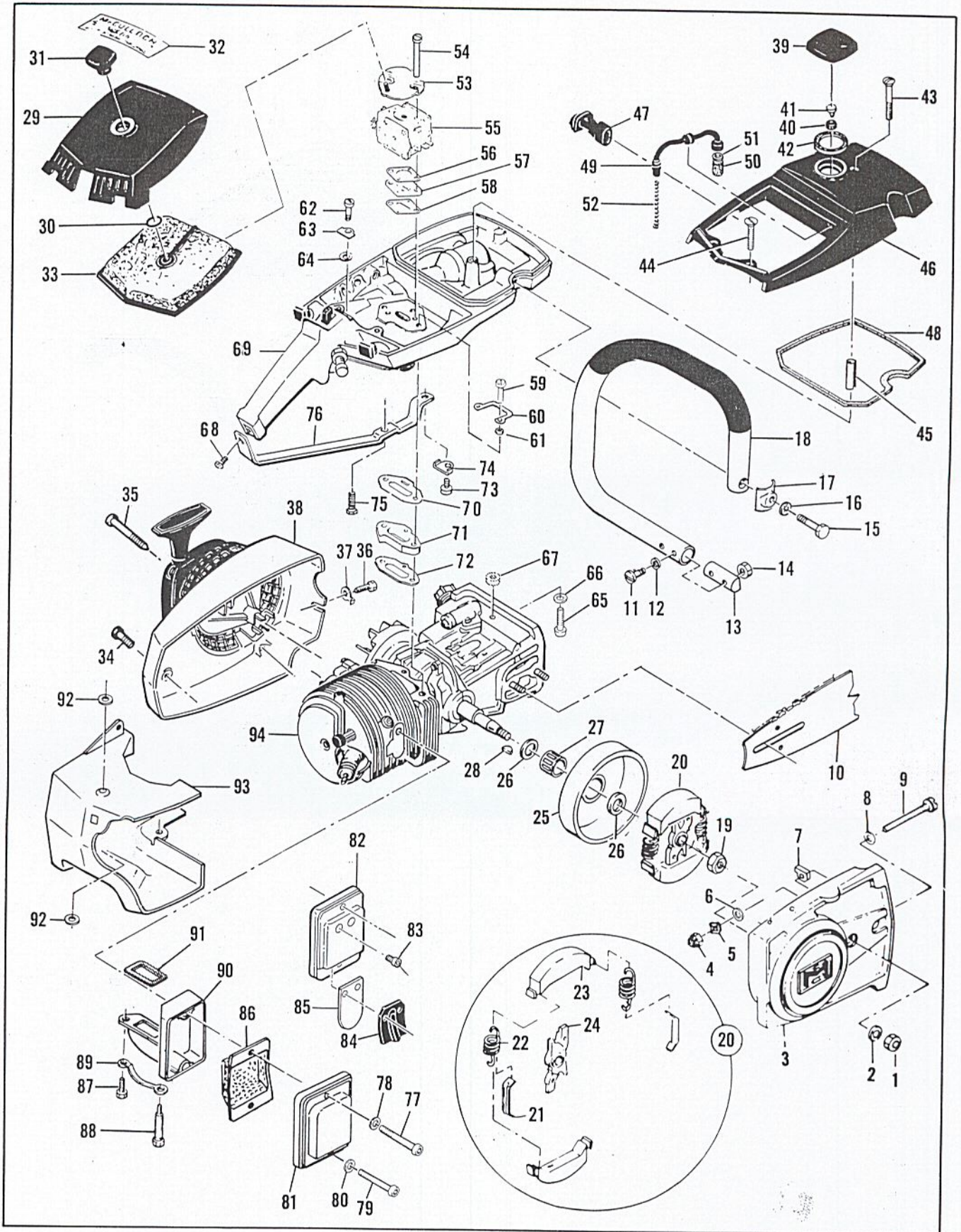


Figure 1. General

FIGURE 1. GENERAL

Item No.	Part Number	Description	Units Per Assy
1	110454	Nut - Hex 5/16-24	2
2	100440	Washer - 5/16	2
3	84530	Clutch Guard Assy	1
4	102067	. Nut - Hex 10-24	1
5	110387	. Washer - Wavey	1
6	100002	. Washer - #10	1
7	61705	. Nut - Bar adjustment	1
8	110264	. Washer - #10	1
9	102144	. Screw - Bar adjustment	1
10		Bar & Chain Assy (See Figure 7)	
11	102761	Screw - Hex hd 10-24 x 7/8	2
12	100352	Washer - #10	2
13	61678	Plug - Nut retainer	1
14	101326	Nut - Hex 10-24	2
15	102130	Screw - Hex hd 1/4-20 x 1-1/2	1
16	100153	Lockwasher - 1/4	1
17	63484	Clamp - Frame	1
18	-87686	Frame & Grip Assy	1
19	110594	Nut - Hex 3/8-24 (R. H., S/Ns prefixed 11-)	1
	-86113	Nut - Hex 3/8-24 (L. H., S/Ns prefixed 12-)	1
20	-84682	Clutch Assy (S/Ns prefixed 11-)	1
	-87675	Clutch Assy (S/Ns prefixed 12-)	1
21	64583	. Retainer - Spring	2
22	-83223	. Spring - Clutch	2
23	67233	. Shoe - Clutch	2
24	62204C	. Rotor Assy (S/Ns prefixed 11-)	1
	-87676	. Rotor Assy (S/Ns prefixed 12-)	1
25	65370	Kit - Sprocket & Drum (. 354) (D, B, J)	1
	-64902	Kit - Sprocket & Drum (. 375) (C)	1
	-66979	Kit - Sprocket & Drum (. 404) (A)	1
26	61692	. Shim	2
27	110330	Bearing	1
28	103879	Key - Woodruff	1
29	68530	Cover Assy - Air cleaner	1
30	110565	. Ring - Retainer	1
31	68529	. Knob - Cover	1
32	-87176	Nameplate	1
33	69922	Filter - Air	1
34	-110741	Screw - Pan hd 10-24 x 1/2	1
35	62978	Screw - Special	3
36	102762	Screw - Hex hd 10-24 x 1/2	1
37	69890	Lockplate	1
38		Fan Housing & Starter (See Figure 2)	
39	-86451	Cap Assy - Fuel	1
40	-86453	. Plug	1
41	-53766A	. Valve	1
42	69767	. Gasket	1
43	110402	Screw - Oval hd 12-24 x 2-3/8	1
44	103579	Screw - Fl hd 10-24 x 1	2
45	69686	Spacer	1
46	84252	Cover - Fuel tank (S/Ns prefixed 11-)	1

Item No.	Part Number	Description	Units Per Assy
	-87677	Cover - Fuel tank (S/Ns prefixed 12-)	1
47	84253	Boot - Carburetor (S/Ns prefixed 11-)	1
	-87665	Boot - Carburetor (S/Ns prefixed 12-)	1
48	69345	Gasket - Cover	1
49	64848	Hose Assy - Fuel	1
50	63932	. Filter - Fuel	1
51	100440	. Washer	1
52	67944	Spring - Hose	1
53	83204	Bracket Assy	1
54	103357	. Screw - Hex hd 10-24 x 2-1/4	2
55		Carburetor Assy (See Figures 4 and 5)	
56	-86189	Gasket - Carburetor	1
57	84078	Spacer - Carburetor	1
58	84081	Gasket - Spacer	1
59	110567	Screw - Hex hd 12-24 x 1-1/4	2
60	68582	Lockplate	1
61	102115	Washer - #12	2
62	110568	Screw - Hex hd 12-24 x 1-1/8	1
63	69516	Lockplate	1
64	64856	Washer - Special	1
65	110713	Screw - Skt hd 10-24 x 7/8	1
66	100003	Washer - #10	1
67	69772	Spacer	1
68	106078	Screw - Pan hd 10-24 x 7/16	1
69		Fuel Tank Assy (See Figure 3)	
70	84082	Gasket - Fuel tank	1
71	84080	Insulator - Fuel tank	1
72	68594	Gasket - Insulator	1
73	110566	Screw - Hex hd 12-24 x 5/8	1
74	68508	Lockplate	1
75	110682	Screw - Hex hd 10-24 x 5/8	1
76	85007	Brace - Handle	1
77	-104534	Screw - Skt hd 10-24 x 1-7/16	1
78	-24236	Washer - Special	1
79	101563	Screw - Skt hd 10-24 x 1-1/4	1
80	110264	Washer - #10	1
81	83966	Cover - Muffler (D, B, C, A)	1
82	85775	Cover & Valve Assy - Muffler (J)	1
83	110472	. Screw - Skt hd 8-32 x 5/16 (J)	2
84	87286	. Stop - Reed (J)	1
85	87682	. Valve - Reed (J)	1
86	-85152	Baffle - Muffler (B, C, J, A)	1
87	110529	Screw - Hex hd 10-24 x 1/2	1
88	68187	Screw - Special	1
89	67922	Lockplate	1
90	83106	Body & Duct Assy (S/Ns prefixed 11-)	1
	-87663	Body & Duct Assy (S/Ns prefixed 12-)	1
91	84007	Gasket - Spark arrestor	1
92	68581	Insulator - Shroud	2
93	85731	Shroud	1
94		Powerhead Assy (See Figure 6)	

# MAC 7-10A

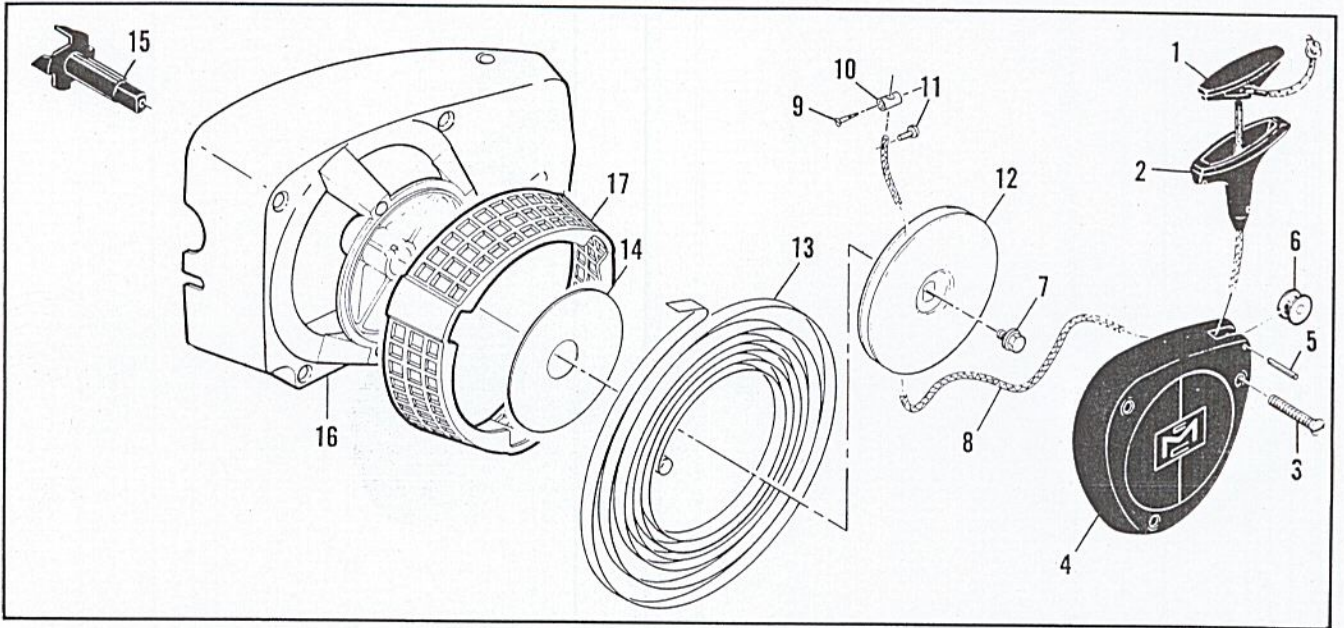


Figure 2. Fan Housing & Starter Assemblies

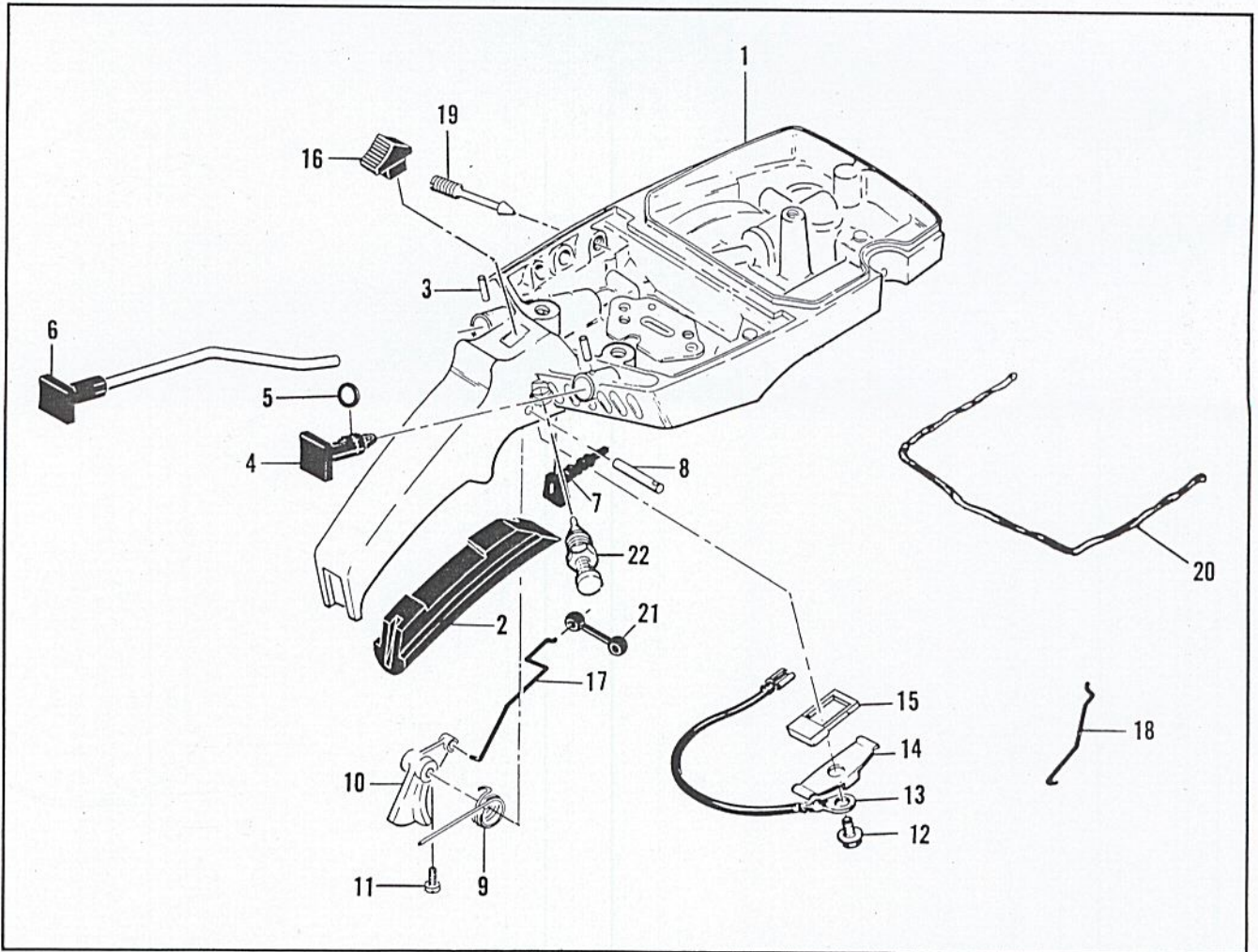


Figure 3. Fuel Tank Assembly

FIGURE 2. FAN HOUSING & STARTER ASSEMBLIES

Item No.	Part Number	Description	Units Per Assy
1	62191A	Insert - Starter handle	1
2	62190A	Handle - Starter	1
3	110646	Screw - Oval hd 8-32 x 1-1/8	3
4	-87672	Cover - Starter	1
5	110657	Pin - Roll (S/Ns prefixed 11-)	1
6	84051	Pulley - Rope (S/Ns prefixed 11-)	1
7	-110341	Screw - Hex hd 10-24 x 1/2	1
8	69964	Rope - Starter (S/Ns prefixed 11-)	1
	-87695	Rope Assy - Starter (S/Ns prefixed 12-)	1
9	-110862	Screw - Fl hd #4 x 3/8 s/t	1
10	-87671	Retainer	1
11	110470	Rivet - Rope (S/Ns prefixed 11-)	1

Item No.	Part Number	Description	Units Per Assy
12	85122	Drum - Starter (S/Ns prefixed 11-)	1
	-87689	Drum - Starter (S/Ns prefixed 12-)	1
13	83334	Spring - Rewind (S/Ns prefixed 11-)	1
	-87680	Spring - Rewind (S/Ns prefixed 12-)	1
14	-86053	Shield - Spring	1
15	83748	Shaft - Starter	1
16	86051	Housing - Fan (S/Ns prefixed 11-)	1
	-87693	Housing - Fan (S/Ns prefixed 12-)	1
17	85676	Guard - Sawdust (S/Ns prefixed 11-)	1
	-87674	Guard - Sawdust (S/Ns prefixed 12-)	1

Part numbers which have changed since the previous printing of the illustrated parts list covering these saws, are indicated by a dash (-) preceding the new part number.

FIGURE 3. FUEL TANK ASSEMBLY

Item No.	Part Number	Description	Units Per Assy
1	84183	Fuel Tank Assy (S/Ns prefixed 11-)	1
	-87685	Fuel Tank Assy (S/Ns prefixed 12-)	1
2	64872	Grip - Handle	1
3	105673	Pin - Roll 3/32 x 9/16	2
4	69041	Button - Choke	1
5	101056	"O" Ring	1
6	64871	Button & Rod Assy	1
7	68522	Seal - Throttle rod	1
8	110378	Pin - Roll 3/16 x 15/16	1
9	-87178	Spring - Throttle return	1
10	-86450	Trigger	1
11	110668	Screw - Fil hd 8-36 x 5/8	1

Item No.	Part Number	Description	Units Per Assy
12	103672	Screw - Fil hd 8-32 x 1/2 (SEMS)	1
13	62973A	Wire Assy - Stop switch	1
14	62451	Contact - Switch	1
15	62950A	Base - Switch	1
16	-68846	Button - Switch	1
17	-85107	Rod - Throttle	1
18	69042	Rod - Choke	1
19	67271	Screw - Idle adjustment (S/Ns prefixed 11-)	1
	-86273	Screw - Idle adjustment (S/Ns prefixed 12-)	1
20	*69564	Seal - Airbox	AR
21	69043	Snubber - Rod	1
22	85451	Latch Assy - Throttle	1

\*Furnished on a 12-1/2 in. strip containing 9 beads (enough for 9 replacements).

# MAC 7-10A

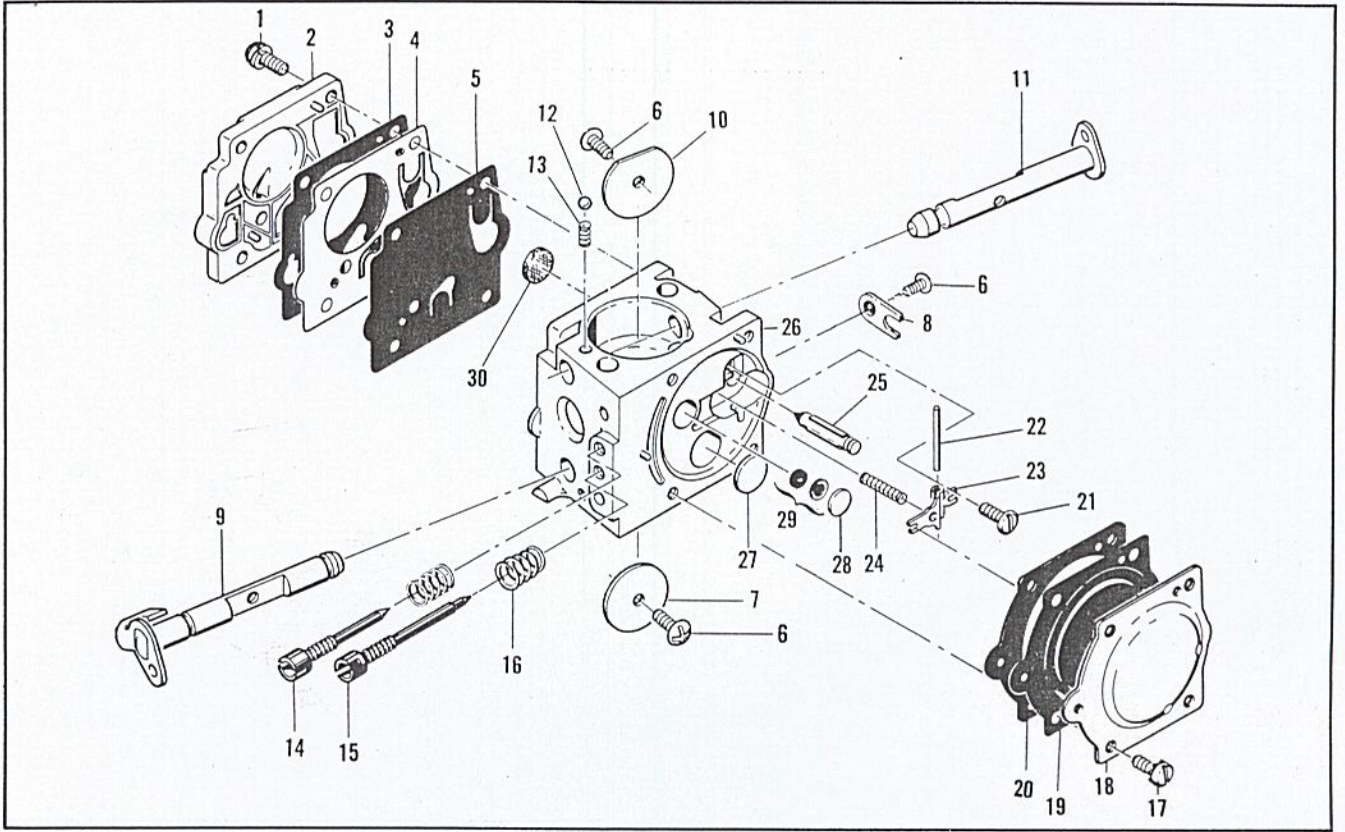


Figure 4. Carburetor Assembly

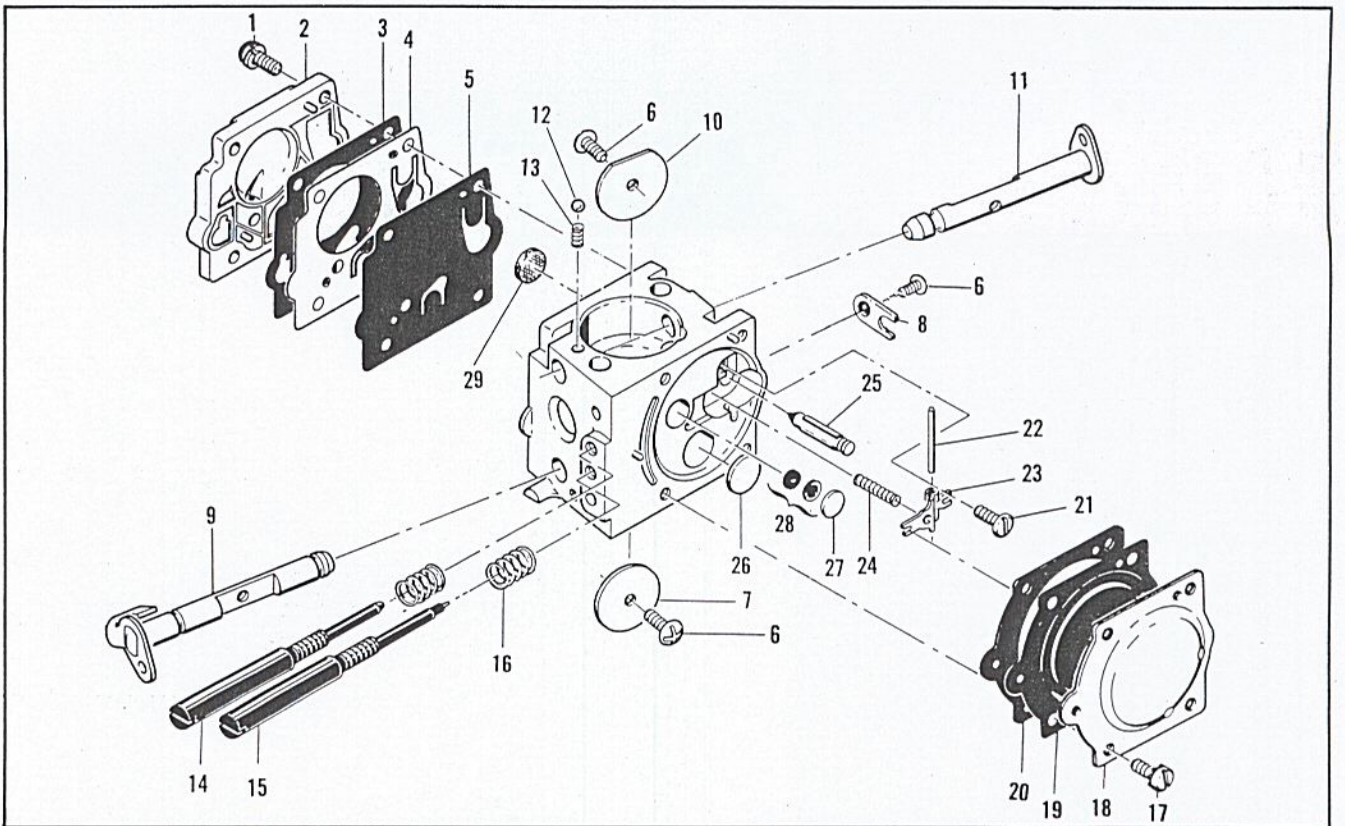


Figure 5. Carburetor Assembly

FIGURE 4. CARBURETOR ASSEMBLY

Item No.	Part Number	Description	Units Per Assy
	**84015	Carburetor Assy	1
1	67501	. Screw - Pump cover	4
2	83760	. Cover - Pump	1
3	*67495	. Gasket - Cover	1
4	*67498	. Diaphragm - Check valve	1
5	*83114	. Diaphragm - Fuel pump	1
6	*47690	. Screw - Plate	3
7	83762	. Plate - Throttle	1
8	67489	. Clip - Shaft	1
9	67486	. Shaft Assy - Throttle	1
10	67490	. Plate - Choke	1
11	67488	. Shaft Assy - Choke	1
12	*100302	. Ball - Choke friction	1
13	*67504	. Spring - Choke	1
14	*67506	. Needle - High speed	1
15	*67505	. Needle - Idle	1
16	*67502	. Spring - Needle	2

Item No.	Part Number	Description	Units Per Assy
17	70798	. Screw - Diaphragm cover	4
18	83761	. Cover - Diaphragm	1
19	*67499	. Diaphragm - Metering	1
20	*67496	. Gasket - Diaphragm	1
21	*67500	. Screw - Lever pin	1
22	*67508	. Pin - Lever	1
23	*67509	. Lever - Metering	1
24	*67503	. Spring - Lever	1
25	*67491	. Valve - Needle	1
26	83759	. Body Assy - Carburetor	1
27	*71690	. . Plug - 3/8	1
28	*69506	. . Plug - 5/16	1
29	83758	. . Kit - Valve & Seat Assy	1
30	*67507	. . Screen - Fuel	1
	*67482	Gasket Set	
	67481	Repair Kit	

\*Indicates parts included in Repair Kit, P/N 67481

\*\* (S/N's prefixed 11-)

FIGURE 5. CARBURETOR ASSEMBLY

Item No.	Part Number	Description	Units Per Assy
	**87666	Carburetor Assy	1
1	67501	. Screw - Pump cover	4
2	83760	. Cover - Pump	1
3	67495	. Gasket - Cover	1
4	67498	. Diaphragm - Check valve	1
5	83114	. Diaphragm - Fuel pump	1
6	47690	. Screw - Plate	3
7	83762	. Plate - Throttle	1
8	67489	. Clip - Shaft	1
9	67486	. Shaft Assy - Throttle	1
10	67490	. Plate - Choke	1
11	67488	. Shaft Assy - Choke	1
12	100302	. Ball - Choke friction	1
13	67504	. Spring - Choke	1
14	-87915	. Needle - High speed	1

Item No.	Part Number	Description	Units Per Assy
15	-87916	. Needle - Idle	1
16	67502	. Spring - Needle	2
17	70798	. Screw - Diaphragm cover	4
18	83761	. Cover - Diaphragm	1
19	67499	. Diaphragm - Metering	1
20	67496	. Gasket - Diaphragm	1
21	67500	. Screw - Lever pin	1
22	67508	. Pin - Lever	1
23	67509	. Lever - Metering	1
24	67503	. Spring - Lever	1
25	67491	. Valve - Needle	1
26	71690	. Plug - 3/8	1
27	69506	. Plug - 5/16	1
28	83758	. Kit - Valve & Seat Assy	1
29	67507	. Screen - Fuel	1

\*\* (S/N's prefixed 12-)

# MAC 7-10A

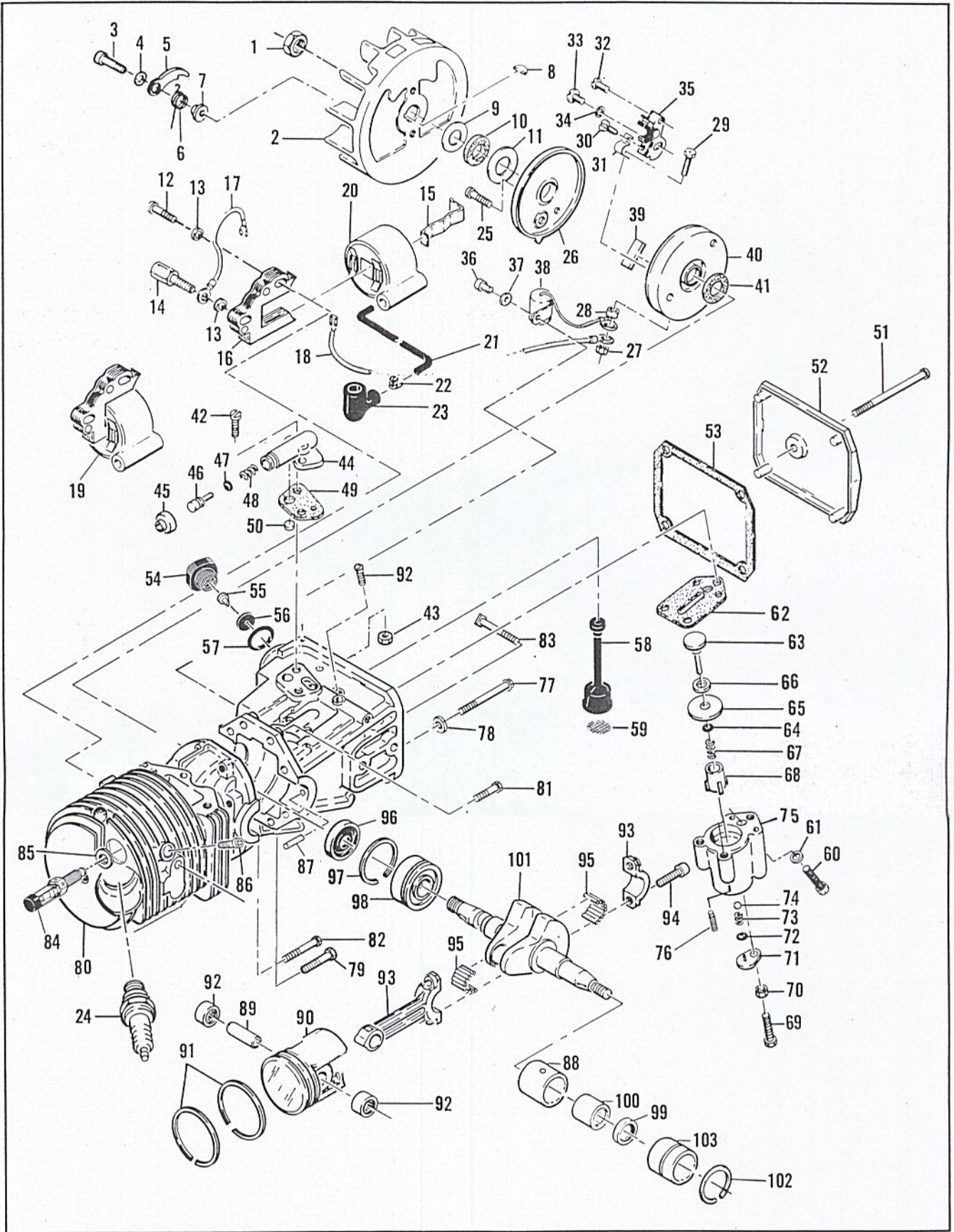


Figure 6. Powerhead Assembly



FIGURE 6. POWERHEAD ASSEMBLY

Item No.	Part Number	Description	Units Per Assy	Item No.	Part Number	Description	Units Per Assy
1	-110703	Nut - Hex 3/8-24	1	54	-87270	Cap - Oil tank	1
2	-86068	Flywheel	1	55	-87269	Retainer - Valve	1
3	110713	Screw - Skt hd 10-24 x 7/8	2	56	-86402	Valve - Check	1
4	83241	Washer - Special	2	57	101148	"O" Ring	1
5	67546	Pawl - Starter	2	58	62123B	Hose Assy - Oil	1
6	67545	Spring - Pawl	2	59	51506	. Screen - Hose	1
7	67547	Pivot - Pawl	2	60	110713	Screw - Skt hd 10-24 x 7/8	1
8	103879	Key - Woodruff	1	61	24236	Washer - Special	1
9	67057	Washer - Thrust	1	62	-86188	Gasket - Pulse pump	1
10	67056	Seal - Breaker box cover	1		83786	Pump Assy - Pulse	1
11	67054	Washer - Thrust	1	63	60260A	. Piston Assy - Pump	1
12	110127	Screw - Hex hd 10-24 x 7/8 (SEMS)	1	64	104001	. "O" Ring	1
13	-100002	Washer - #10	2	65	-86182	. Ring - Piston	1
14	83512	Stud - Special	1	66	60937	. Washer - Teflon	1
15	51253	Retainer - Coil	1	67	60259	. Spring - Piston	1
16	85138	Lamination Assy	1	68	62227	. Sleeve - Adjustment	1
17	84686	Wire Assy - Ground	1	69	110386	. Screw - Hex hd 8-32 x 1	1
18	69344	Wire Assy - Primary	1	70	100251	. Nut - Hex 8-32	1
19	-87246	Coil & Lamination Assy (S/Ns prefixed 12-)	1	71	62407	. Cover - Outlet valve	1
20	84972	Kit - Coil (S/Ns prefixed 11-)	1	72	106104	. "O" Ring	1
21	50120	. Wire Assy - Spark plug	1	73	62885A	. Spring - Outlet valve	1
22	55061	. . Connector	1	74	102809	. Ball	1
23	-85758	. . Boot	1	75	83787	. Body Assy - Pump	1
24	63432	Spark Plug - AC CS 42 T	1	76	110643	. Screw - Set	1
25	-110584	Screw - Pan hd 8/32 x 3/4	1	77	62105	Screw Assy - Sealing	4
26	62362	Cover - Breaker box	1	78	62842	. Washer - Sealing	4
27	100298	Nut - Hex 6-32	1	79	110288	Screw Assy - Hex 8-32 x 3/4	1
28	62365	Spacer - Breaker	1	80	-87681	Crankcase Assy	1
29	110346	Screw - Hex hd 6-32 x 3/4	1	81	110288	. Screw Assy - Hex 8-32 x 1-3/8	2
30	110489	Screw - Pan hd 6-32 x 7/16 s/t	1	82	110618	. Screw Assy - Hex 8-32 x 1-3/8	1
31	83126	Strap - Conduction	1	83	62065	. Bolt - Bar mounting	2
32	-110811	Screw - Pan hd 8-32 x 3/8	1	84	84785	. Valve - Comp. rel.	1
33	110445	Screw - Truss hd 8-32 x 3/8	1	85	85505	. Washer - Valve	1
34	105976	Washer - #8	1	86	110681	. Screw - Skt hd 10-24 x 1/4	1
35	66231	Breaker Assy	1	87	-110851	. Pin - Dowel	1
36	103672	Screw - Fil hd 8-32 x 1/2 (SEMS)	1	88	-87152	. Insert - Bearing	1
37	100080	Washer - #8	1	89	69020	Pin - Piston	1
38	-85358	Condenser	1	90	85239	Piston Assy	1
39	54184	Wiper - Cam	1	91	-87166	. Ring Set - Piston	1
40	84329	Box - Breaker	1	92	110590	. Bearing - Needle	2
41	67051	Seal - Breaker box	1	93	85352	Connecting Rod Assy	1
42	110623	Screw - Fil hd 8-32 x 1/2	2	94	61627A	. Screw - Skt hd special	2
43	100955	Nut - Hex 8-32	1	95	63225	. Roller - Needle (Set of 20)	1
44	84156	Housing - Pump	1	96	61618	Seal - Oil	1
45	62262	Cap - Housing	1	97	63464	Ring - Snap	1
46	62266	Plunger - Pump	1	98	63429B	Bearing - Ball	1
47	101056	"O" Ring	1	99	110260	Seal - Oil	1
48	66687	Spring - Pump	1	100	104357	Bearing - Needle	1
49	62230	Gasket - Pump	1	101	85125	Crankshaft (S/Ns prefixed 11-)	1
50	62909	Valve - Pump	1		-87662	Crankshaft (S/Ns prefixed 12-)	1
51	110291	Screw - Pan hd 10-24 x 2-5/8	1	102	*63699	Ring - Bearing insert	1
52	-86304	Cover - Oil tank	1	103	*63701	Insert - Bearing	1
53	-86306	Gasket - Cover	1				

\*S/Ns prefixed 11- only.

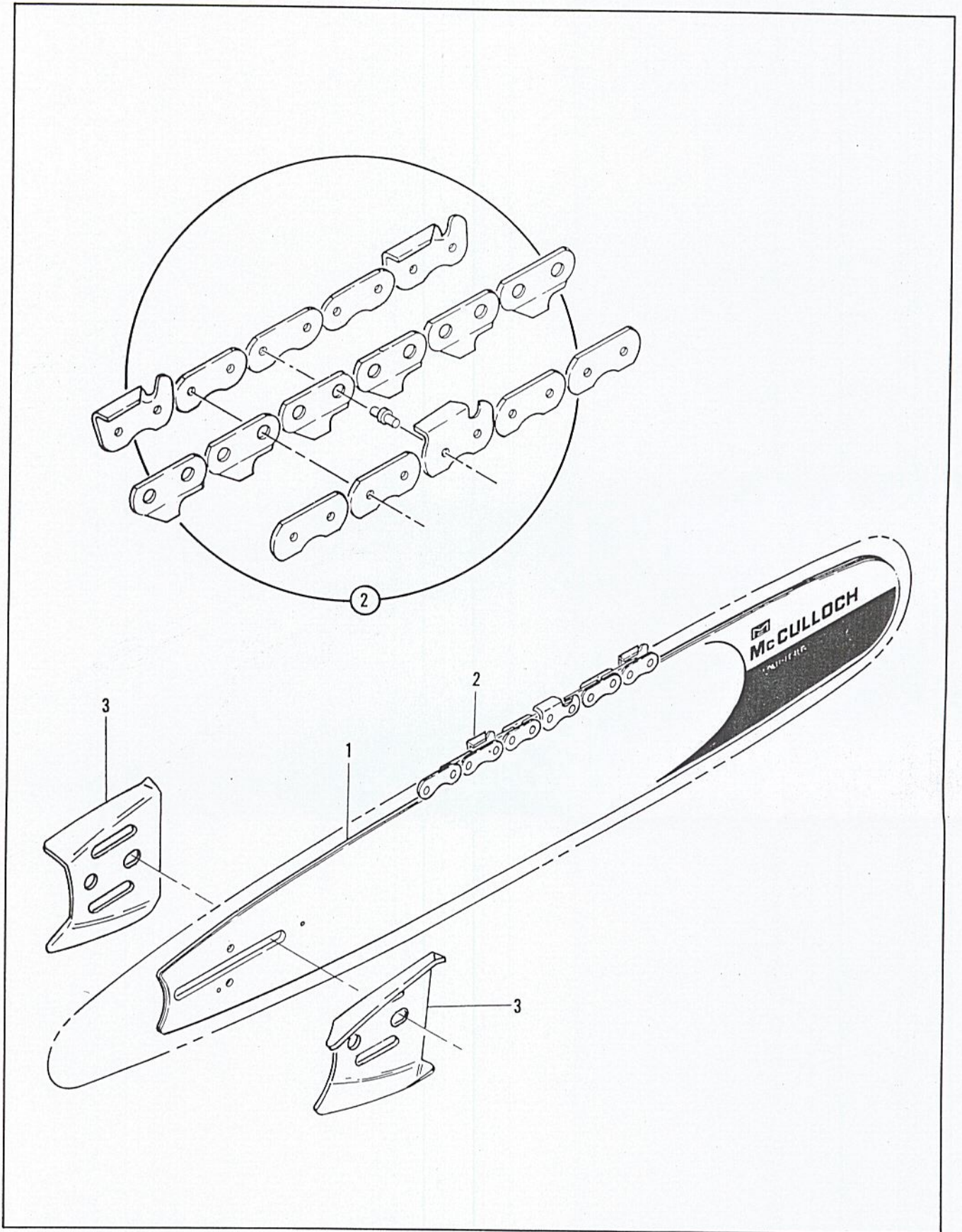


Figure 7. Bar & Chain Assembly

FIGURE 7. BAR AND CHAIN ASSEMBLIES

Item No.	Part Number	Description	Units Per Assy
1	63541	Bar	
2	62556M	Chain Assy	

Item No.	Part Number	Description	Units Per Assy
	64330	Set - Bar Plate	1
3	64325	Plate - Bar	2

SERVICE SPECIFICATIONS

Spark Plug Gap	-----	0.025 in.
Lamination Gap	-----	0.010 to 0.015 in.
Breaker Point Gap	-----	0.018 in.
Carburetor Adjustment		
Idle Needle	- Preliminary adjustment 1 turn open. Adjust for smooth idle and acceleration.	
Main Needle	- Preliminary adjustment 1 turn open. Adjust for maximum power under load.	
Torque Values		
Flywheel Nut	-----	240 to 300 inch-pounds.
Clutch Nut	-----	160 to 170 inch-pounds.
Connecting Rod Screws	-----	65 to 70 inch-pounds.

ACCESSORIES

Part Number	Description
85726	Manual - Owner's
62827	Wrench - Screwdriver
63746	Scrench
63341A	Kit - Spike
86334	Kit - Wrap-around frame
84922	Kit - Baffle
86419	Guide - Timing
63097	Spark Plug - AC CS 45 T
65778	Spark Plug - AC CS 41 T

Part Number	Description
69191	Kit - Pressure adaptor
84453	Kit - Piston tool
*69031	Piston Assy (0.020 in. oversize)
*63291	. Ring Set (0.020 in. oversize)
103085	. Bearing - Needle (2)
*69032	Piston Assy (0.030 in. oversize)
*63292	. Ring Set (0.030 in. oversize)
103085	. Bearing - Needle (2)

\*For original MAC 7-10A engines (Serial numbers prefixed 10-), and having cast iron cylinder liners ONLY.