

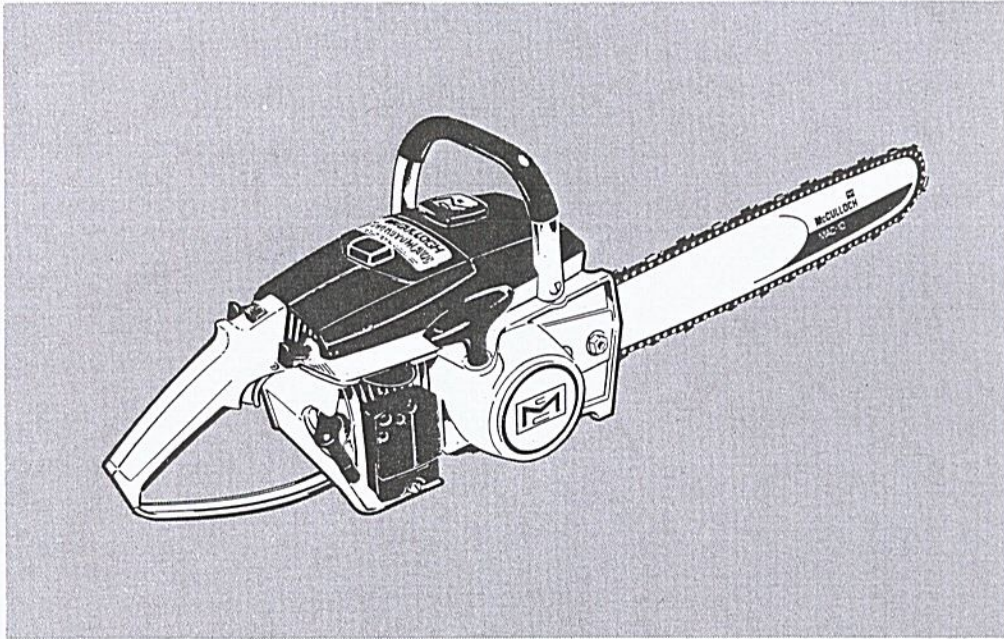
SUPER 6-10 AUTOMATIC Chain Saw

MODEL 600055 - SERIAL NUMBERS PREFIXED A13-

B13-

14-

ILLUSTRATED PARTS LIST



August 1969

The policy of McCulloch Corporation is one of continual improvement in design, manufacturing and engineering advancement wherever possible to assure still finer two-cycle power tools. Hence, specifications, equipment, colors, design and manufacturer's suggested list prices are subject to change without notice and McCulloch Corporation reserves the right to make such changes without prior notification or obligation to backfit or supply backfit components for units previously shipped from the factory.

	Page
Figure 1. Engine Exploded View - General	2
Figure 2. Clutch Guard & Starter Assembly	4
Figure 3. Fuel Tank Assembly	4
Figure 4. Carburetor Assembly	6
Figure 5. Powerhead Assembly	8
Figure 6. Bar and Chain Assembly	10



McCULLOCH

SUPER 6-10 Automatic

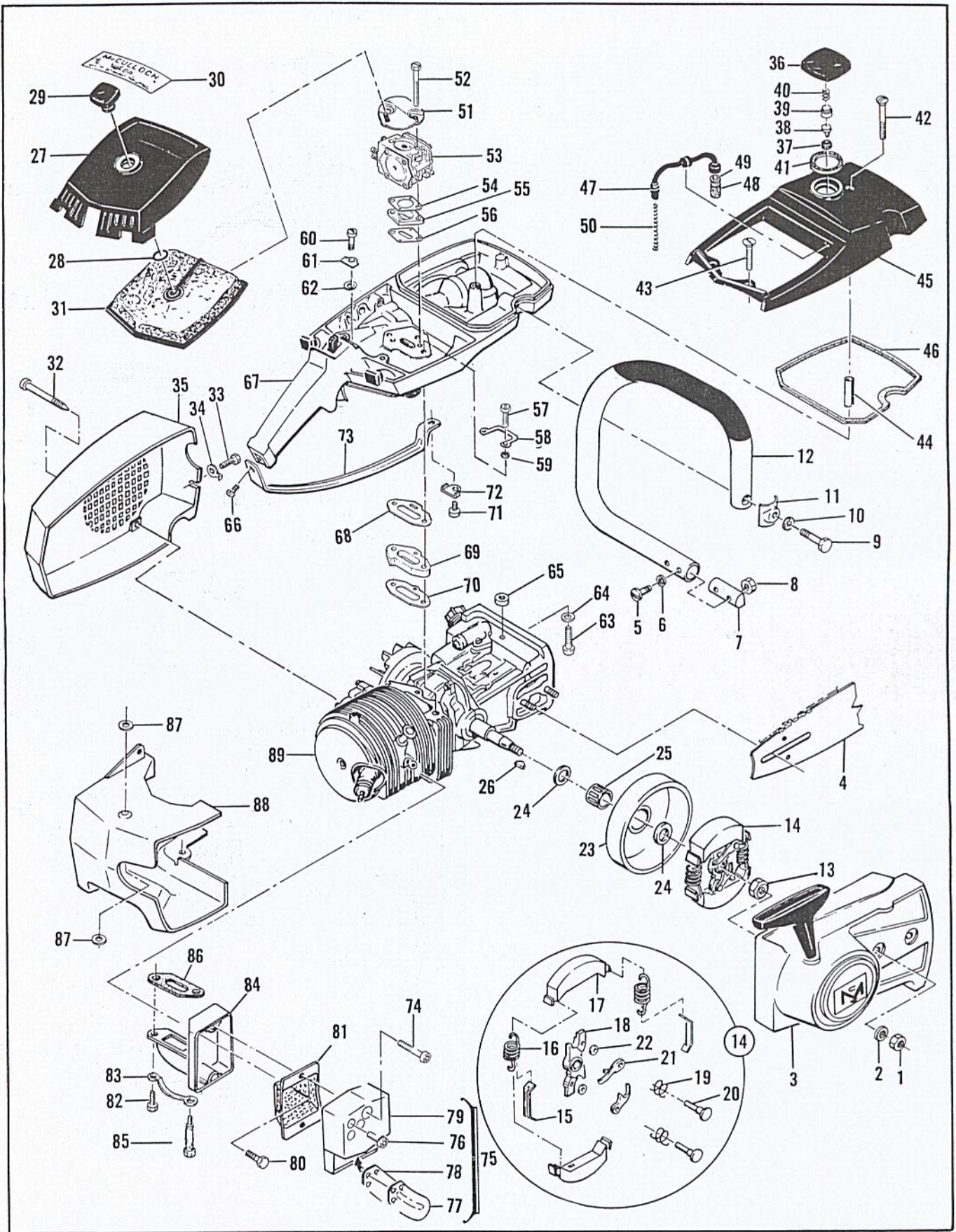


Figure 1. Engine Exploded View-General

SUPER 6-10 Automatic

FIGURE 1. ENGINE EXPLODED VIEW-GENERAL

Item No.	Part Number	Description	Units Per Assy
1	110454	Nut - Hex 5/16-24	2
2	100440	Washer - 5/16	2
3		Clutch Guard & Starter Assy (See Figure 2)	
4		Bar & Chain (See Figure 6)	
5	102761	Screw - Hex hd 10-24 x 7/8	2
6	100352	Washer - #10	2
7	61678	Plug - Nut Retainer	1
8	101326	Nut - Hex 10-24	2
9	102130	Screw - Hex 1/4-20 x 1-1/2	1
10	100153	Lockwasher - 1/4	1
11	63484	Clamp - Frame	1
12	-69054	Frame & Grip Assy	1
13	-110594	Nut - Hex 3/8-24	1
14	68835	Clutch Assy	1
15	64583	. Retainer	2
16	66384	. Spring - Clutch	2
17	67233	. Shoe - Clutch	2
18	-67149	. Rotor Assy	1
19	68837	. . Spring	2
20	67112	. . Rivet	2
21	-64857	. . Pawl	2
22	65473	. . Washer - Special	2
23	65370	Kit - Sprocket & Drum	1
24	61692	. Shim	2
25	110330	Bearing	1
26	103879	Key - Woodruff	1
27	68530	Cover Assy - Air cleaner	1
28	110565	. Ring - Retainer	1
29	68529	. Knob - Cover	1
30	-83211	Nameplate	1
31	-69922	Filter Assy - Air	1
32	62978	Screw - Special	3
33	102762	Screw - Hex hd 10-24 x 1/2	1
34	-69890	Lockplate	1
35	68544	Housing - Fan	1
36	68531	Cap Assy - Fuel	1
37	68533	. Plug	1
38	63041	. Valve	1
39	62316	. Guide	1
40	63040	. Spring	1
41	-69767	. Gasket	1
42	110402	Screw - Oval hd 12-24 x 2-3/8	1
43	103579	Screw - Fl hd 10-24 x 1	2
44	-69686	Spacer	1
45	-69679	Cover - Fuel tank	1

Item No.	Part Number	Description	Units Per Assy
46	-69345	Gasket - Cover	1
47	64848	Hose Assy - Fuel	1
48	63932	. Filter - Fuel	1
49	100440	. Washer	1
50	67944	Spring - Hose	1
51	-83204	Bracket Assy	1
52	-103357	. Screw - Hex hd 10-24 x 2-1/4	2
53		Carburetor Assy (See Figure 4)	
54	68132	Gasket - Carburetor	1
55	66678	Spacer - Carburetor	1
56	68131	Gasket - Spacer	1
57	110567	Screw - Hex hd 12-24 x 1-1/4	2
58	68582	Lockplate	1
59	102115	Washer	2
60	110568	Screw - Hex hd 12-24 x 1-1/8	1
61	-69516	Lockplate	1
62	64856	Washer - Special	1
63	102660	Screw - Skt hd 10-24 x 7/8	1
64	100003	Washer - #10	1
65	-69772	Spacer	1
66	106078	Screw - Oval hd 10-24 x 7/16	1
67		Fuel Tank Assy (See Figure 3)	
68	68580	Gasket - Fuel tank	1
69	68579	Insulator - Fuel tank	1
70	68594	Gasket - Insulator	1
71	110566	Screw - Hex hd 12-24 x 5/8	1
72	68508	Lockplate	1
73	-69838	Brace - Handle	1
74	110473	Screw - Skt hd 10-24 x 1-5/8	2
75	65532	Cover and Valve Assy	1
76	110472	. Screw - Skt hd 8-32 x 5/16	3
77	-83069	. Stop - Reed valve	1
78	64785	. Valve - Reed	1
79	65419	. Cover Assy - Spark arrester	1
80	110341	Screw - Hex hd 10-24 x 1/2	1
81	62379B	Baffle	1
82	110529	Screw - Hex hd 10-24 x 1/2	1
83	67922	Lockplate	1
84	-83106	Body and Duct Assy	1
85	68187	. Screw - Special	1
86	68149	Gasket - Spark arrester	1
87	68581	Insulator - Shroud	2
88	67378	Shroud	1
89		Powerhead Assy (See Figure 5)	

SUPER 6-10 Automatic

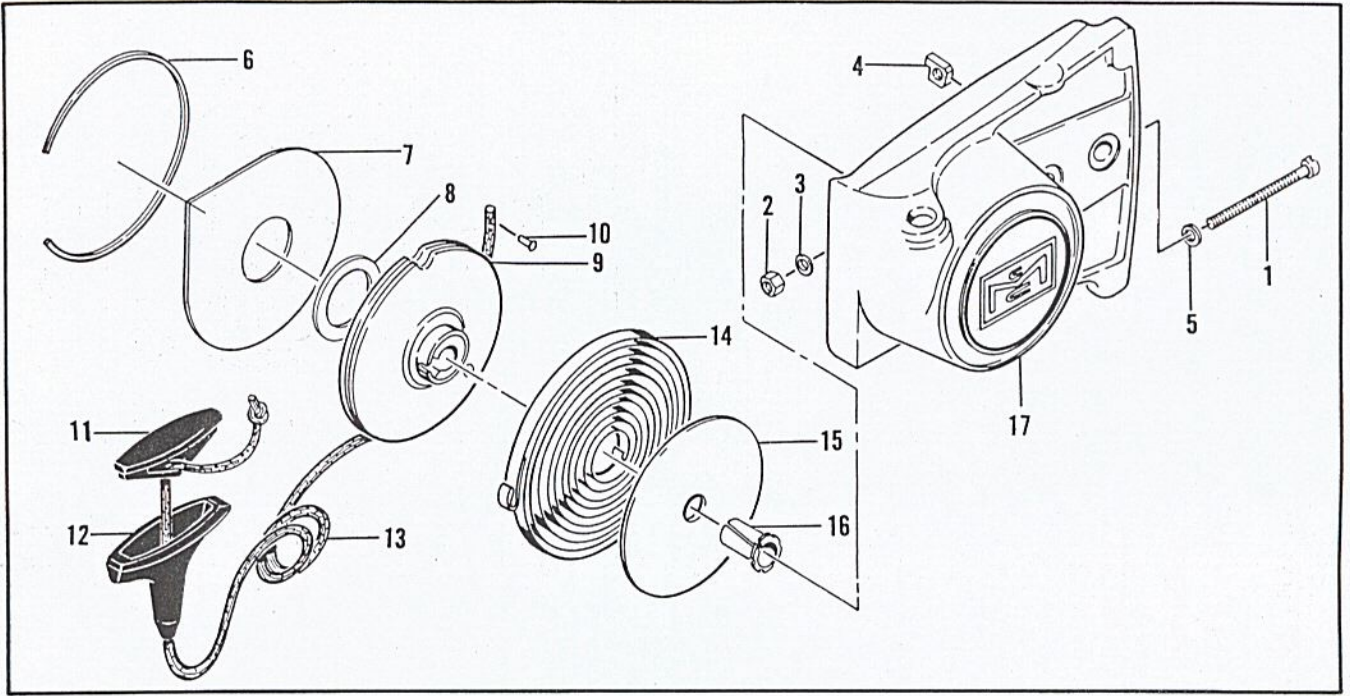


Figure 2. Clutch Guard and Starter Assembly

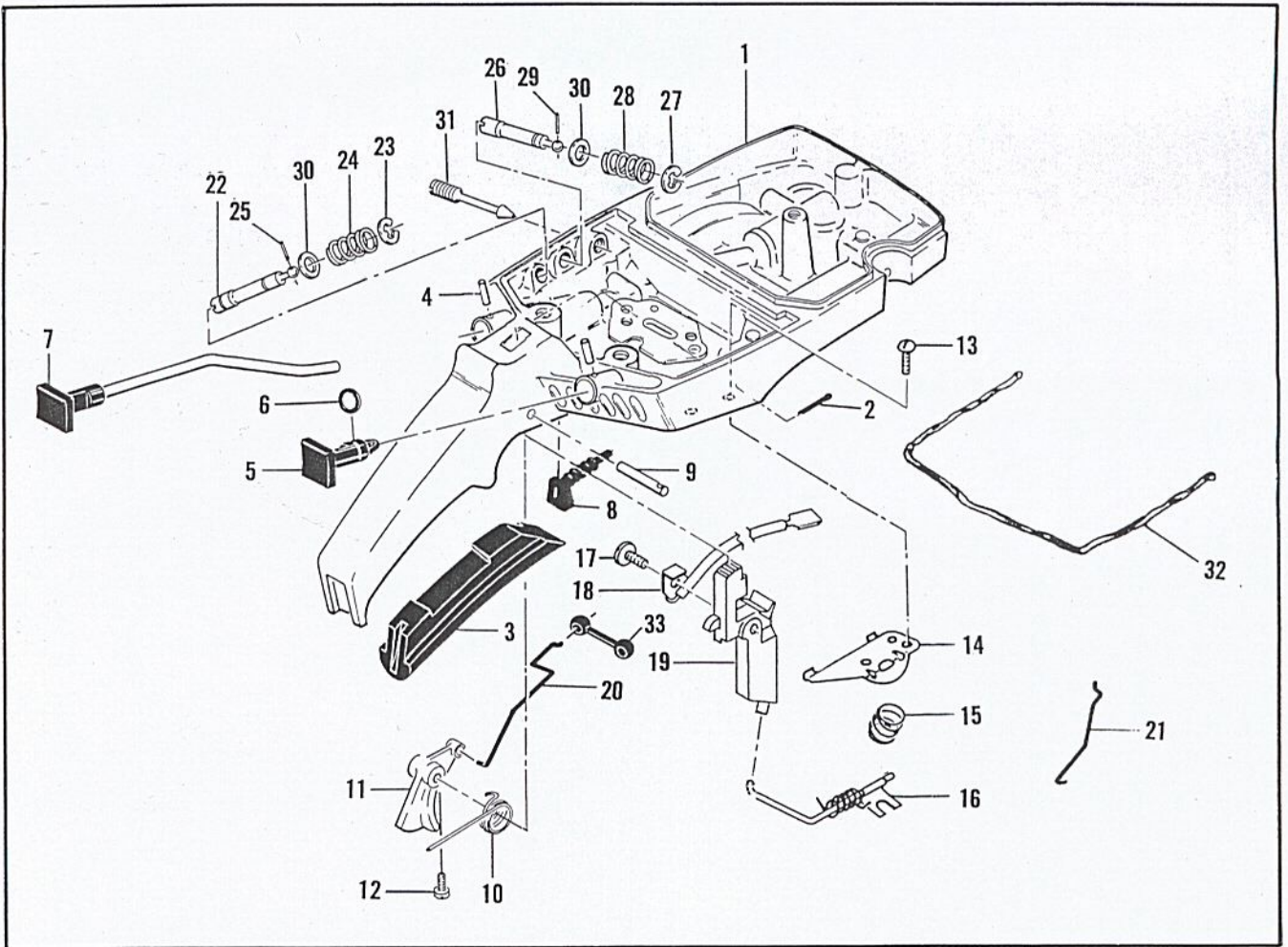


Figure 3. Fuel Tank Assembly

SUPER 6-10 Automatic

FIGURE 2. CLUTCH GUARD AND STARTER ASSEMBLY

Item No.	Part Number	Description	Units Per Assy
	67206	Clutch Guard Assy	1
1	102144	. Screw - Fil hd 10-24 x 2-1/4	1
2	102067	. Nut - Hex 10-24	1
3	110387	. Washer - Wave	1
4	61705	. Nut - Bar adjusting	1
5	-110264	. Washer - #10	1
6	67205	. Retainer - Shield	1
7	63985	. Shield - Dust	1
8	63986	. Washer - Thrust	1

Item No.	Part Number	Description	Units Per Assy
9	68695	. Drum - Starter	1
10	110470	. Rivet - Starter rope	1
11	62191A	. Insert - Handle	1
12	62190A	. Handle - Starter	1
13	-69964	. Rope - Starter	1
14	68626	. Spring - Rewind	1
15	63987	. Shield - Spring	1
16	61635A	. Bushing - Nyliner	1
17	67207	. Guard - Clutch	1

FIGURE 3. FUEL TANK ASSEMBLY

Item No.	Part Number	Description	Units Per Assy
1	68683	Fuel Tank Assy	1
2	100010	. Pin - Cotter	1
3	64872	Grip - Handle	1
4	105673	Pin - Roll 3/32 x 9/16	2
5	-69041	Button - Choke	1
6	101056	"O" Ring	1
7	64871	Button & Rod Assy	1
8	68522	Seal - Throttle rod	1
9	110378	Pin - Roll 3/16 x 15/16	1
10	65734	Spring - Throttle return	1
11	67224	Trigger	1
12	110537	Screw - Fil hd 8-36 x 1/2	1
13	105249	Screw - Rd hd.8-32 x 3/8	2
14	64721	Bracket - Lever Assy	1
15	-69687	Spring - Valve	1
16	-69811	Lever Assy - Compression release	1

Item No.	Part Number	Description	Units Per Assy
17	110385	Screw - Pan hd 8-32 x 3/8	1
18	65873	Wire Assy - Stop switch	1
19	67209	Button - Control	1
20	68170	Rod - Throttle	1
21	-69042	Rod - Choke	1
22	68102	Extension Assy - High speed	1
23	110512	. Ring - Retaining	1
24	67363	. Spring	1
25	110509	. Pin - Groove	1
26	68101	Extension Assy - Idle	1
27	110512	. Ring - Retaining	1
28	67363	. Spring	1
29	110509	. Pin - Groove	1
30	67292	Washer	2
31	67271	Screw - Idle adjustment	1
32	*-69564	Seal - Airbox	AR
33	-69043	Snubber - Rod	1

* Furnished on a 12-1/2 inch strip containing 9 beads of sealant (enough for 9 replacements).

SUPER 6-10 Automatic

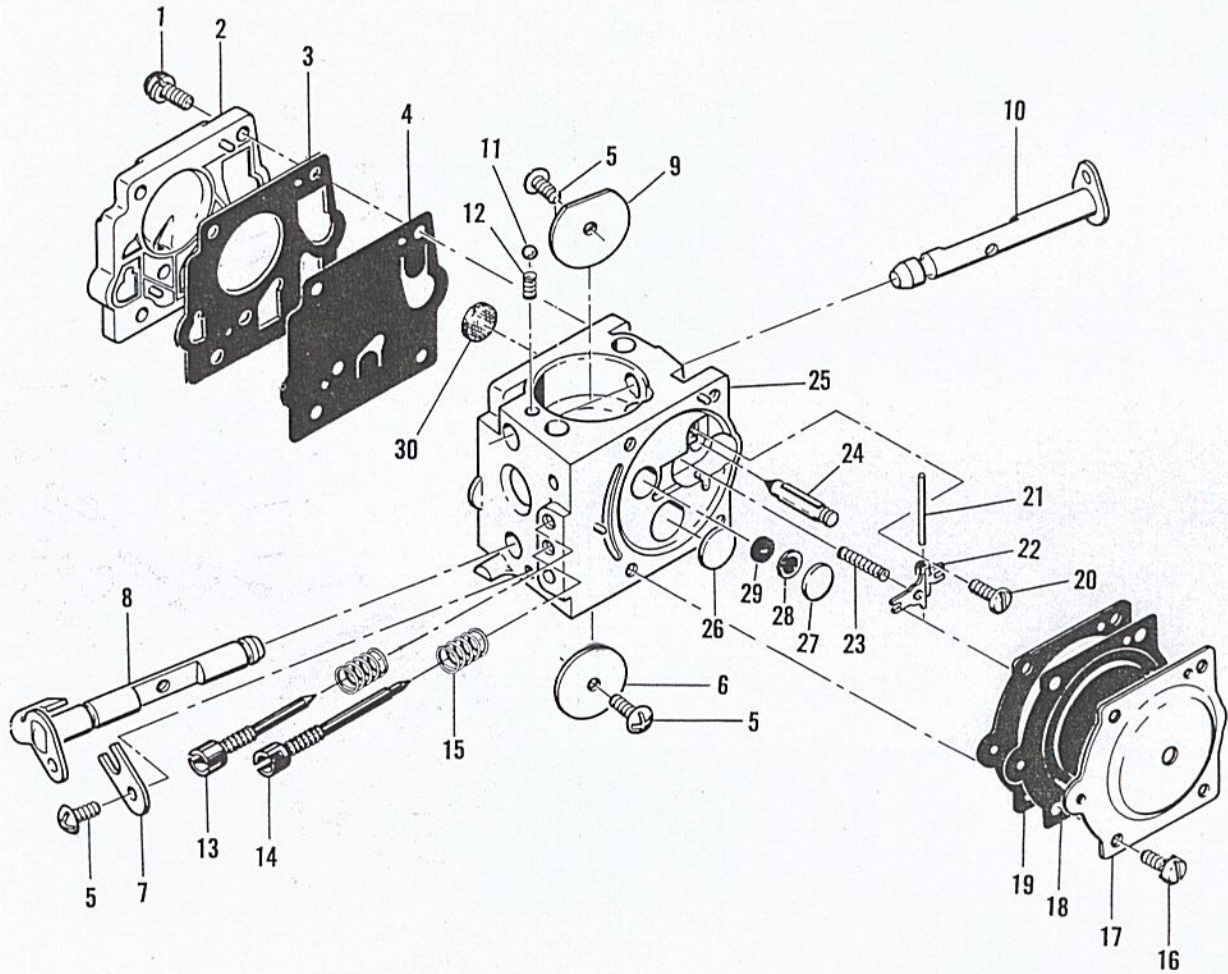


Figure 4. Carburetor Assembly

SUPER 6-10 Automatic

FIGURE 4. CARBURETOR ASSEMBLY

Item No.	Part Number	Description	Units Per Assy
	67379	Carburetor Assy	1
1	67501	. Screw - Pump cover	4
2	83760	. Cover Pump	1
3	*67495	. Gasket - Cover	1
4	*83114	. Diaphragm - Fuel pump	1
5	*47690	. Screw - Plate	3
6	67487	. Plate - Throttle	1
7	67489	. Clip - Shaft	1
8	67486	. Shaft Assy - Throttle	1
9	67490	. Plate - Choke	1
10	67488	. Shaft Assy - Choke	1
11	*100302	. Ball - Choke friction	1
12	*67504	. Spring - Choke	1
13	*67506	. Needle - High speed	1
14	*67505	. Needle - Idle	1
15	*67502	. Spring - Needle	2
16	70798	. Screw - Diaphragm cover	4
17	83761	. Cover - Diaphragm	1

Item No.	Part Number	Description	Units Per Assy
18	*67499	. Diaphragm - Metering	1
19	*67496	. Gasket - Diaphragm	1
20	*67500	. Screw - Lever pin	1
21	*67508	. Pin - Lever	1
22	*67509	. Lever - Metering	1
23	*67503	. Spring - Lever	1
24	*67491	. Valve - Needle	1
25	67483	. Body Assy - Carburetor	1
26	*71690	. . Plug - 3/8	1
27	*69506	. . Plug - 5/16	1
28	69203	. . Seat Assy	1
29	69204	. . Valve	1
30	*67507	. . Screen - Fuel	1
	*67482	Gasket Set	
	67481	Repair Kit	

* Indicates parts included in Repair Kit, P/N 67481

SUPER 6-10 Automatic

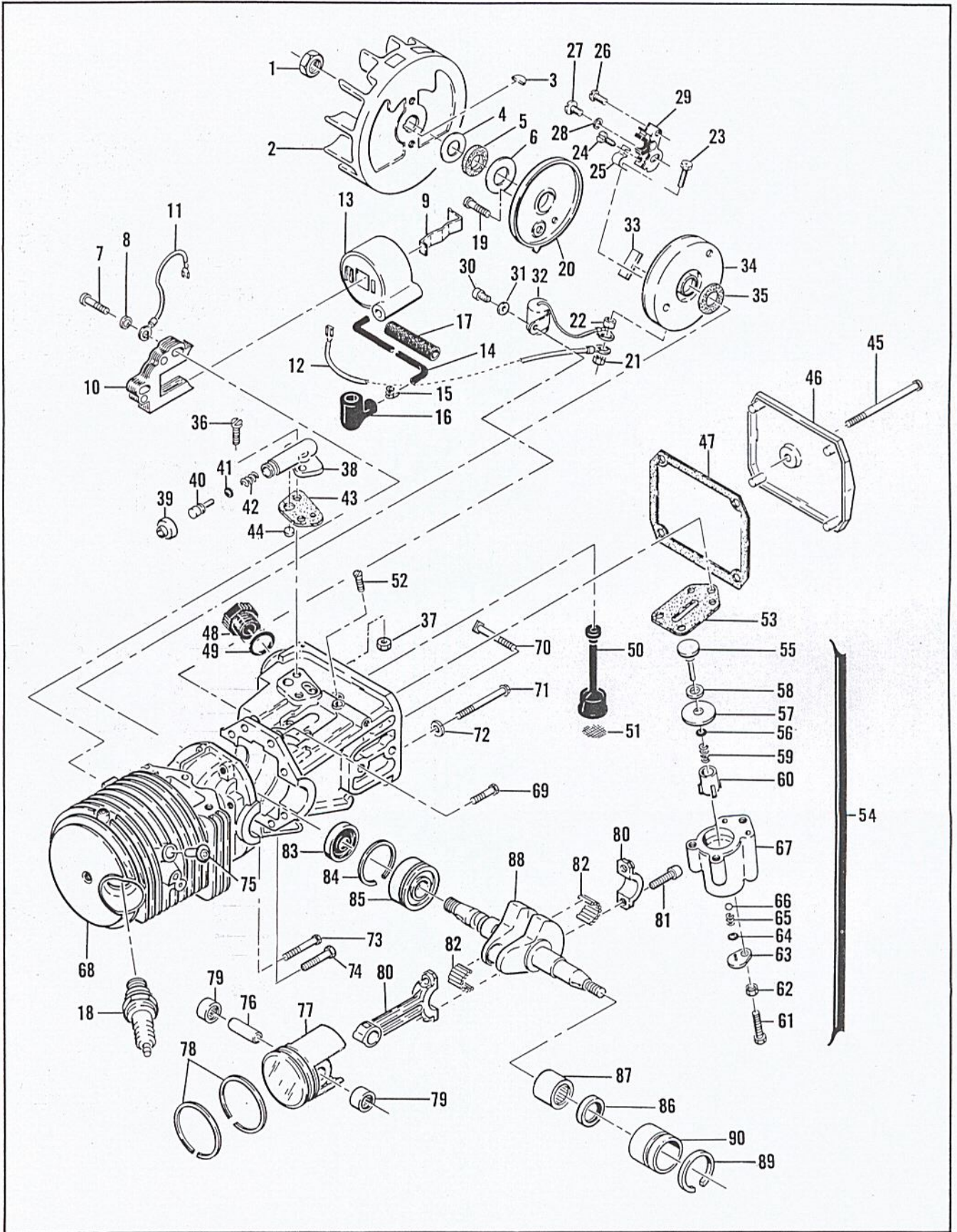


Figure 5. Powerhead Assembly

FIGURE 5. POWERHEAD ASSEMBLY

Item No.	Part Number	Description	Units Per Assy
1	-110594	Nut - Hex 3/8-24	1
2	-67845	Flywheel Assy	1
3	103879	Key - Woodruff	1
4	67057	Washer - Thrust	1
5	67056	Seal	1
6	67054	Washer - Thrust	1
7	110127	Screw - Hex hd 10-24 x 7/8 (SEMS)	2
8	100003	Washer - #10	2
9	51253	Retainer - Coil	1
10	68164	Lamination Assy	1
11	62819	Wire Assy - Ground	1
12	-69344	Wire Assy - Primary	1
13	-69798	Kit - Coil	1
14	-69966	. Wire Assy - Spark plug	1
15	62932	. . Connector	1
16	62926	. . Boot	1
17	67127	. . Sleeve	1
18	63432	Spark Plug	1
19	110349	Screw - Rd hd 8-32 x 3/4	1
20	62362	Cover - Breaker box	1
21	100298	Nut - Hex 6-32	1
22	62365	Spacer - Breaker screw	1
23	110346	Screw - Hex hd 6-32 x 3/4	1
24	-110489	Screw - Pan hd 6-32 x 7/16	1
25	-83126	Strap - Conduction	1
26	100934	Screw - Rd hd 8-32 x 3/8	1
27	-110445	Screw - Truss 8-32 x 3/8	1
28	105976	Washer - #8	1
29	-66231	Breaker Assy	1
30	-103672	Screw - Fil hd 8-32 x 1/2	1
31	100080	Washer - #8	1
32	-61650	Condenser	1
33	54184	Wiper	1
34	-83125	Box - Breaker	1
35	67051	Seal	1
36	110623	Screw - Hex hd 8-32 x 1/2	2
37	-100955	Nut - Hex 8-32	1
38	62261A	Housing - Pump	1
39	62262	Cap - Housing	1
40	62266	Plunger - Pump	1
41	101056	"O" Ring	1
42	66687	Spring	1
43	62230	Gasket	1
44	62909	Valve	1
45	110291	Screw - Pan hd 10-24 x 2-5/8	1

Item No.	Part Number	Description	Units Per Assy
46	63072	Cover - Oil tank	1
47	62116	Gasket - Cover	1
48	-68809	Cap - Oil Tank	1
49	101148	"O" Ring	1
50	62123B	Hose Assy - Oil	1
51	51506	. Screen - Hose	1
52	110333	Screw - Oval hd 8-32 x 1/2	3
53	62274	Gasket - Pulse pump	1
54	-83134	Pump Assy - Pulse	1
55	60260A	. Piston Assy - Pump	1
56	104001	. "O" Ring	1
57	60263	. Ring - Piston	1
58	60937	. Washer - Teflon	1
59	60259	. Spring - Piston oiler	1
60	62227	. Sleeve - Oiler adjustment	1
61	110386	. Screw - Hex hd 8-32 x 1	1
62	100251	. Nut - Hex 8-32	1
63	-62407	. Cover - Outlet valve	1
64	106104	. "O" Ring	1
65	62885A	. Spring - Outlet valve	1
66	102809	. Ball	1
67	-83128	. Body Assy - Pump	1
68	-69778	Crankcase Assy	1
69	110288	. Screw Assy - 8-32 x 3/4	2
70	62065	. Bolt - Bar mounting	2
71	62105	Screw Assy - Sealing	4
72	62842	. Washer - Sealing	1
73	-110618	Screw Assy - 8-32 x 1-3/8	1
74	110288	Screw Assy - 8-32 x 3/4	1
75	-83137	Valve - Compression release	1
76	-69020	Pin - Piston	1
77	-69030	Piston Assy	1
78	63290	. Ring Set - Piston	1
79	-110590	. Bearing - Needle	2
80	-83060	Connecting Rod Assy	1
81	61627A	. Screw - Connecting rod	2
82	63225	. Roller - Needle (Set of 20)	1
83	65746	Oil Seal	1
84	63464	Ring - Snap	1
85	63429B	Bearing - Ball	1
86	65747	Oil Seal	1
87	104357	Bearing - Needle	1
88	63336	Crankshaft	1
89	63699	Ring - Bearing insert	1
90	63701	Insert - Bearing	1

SUPER 6-10 Automatic

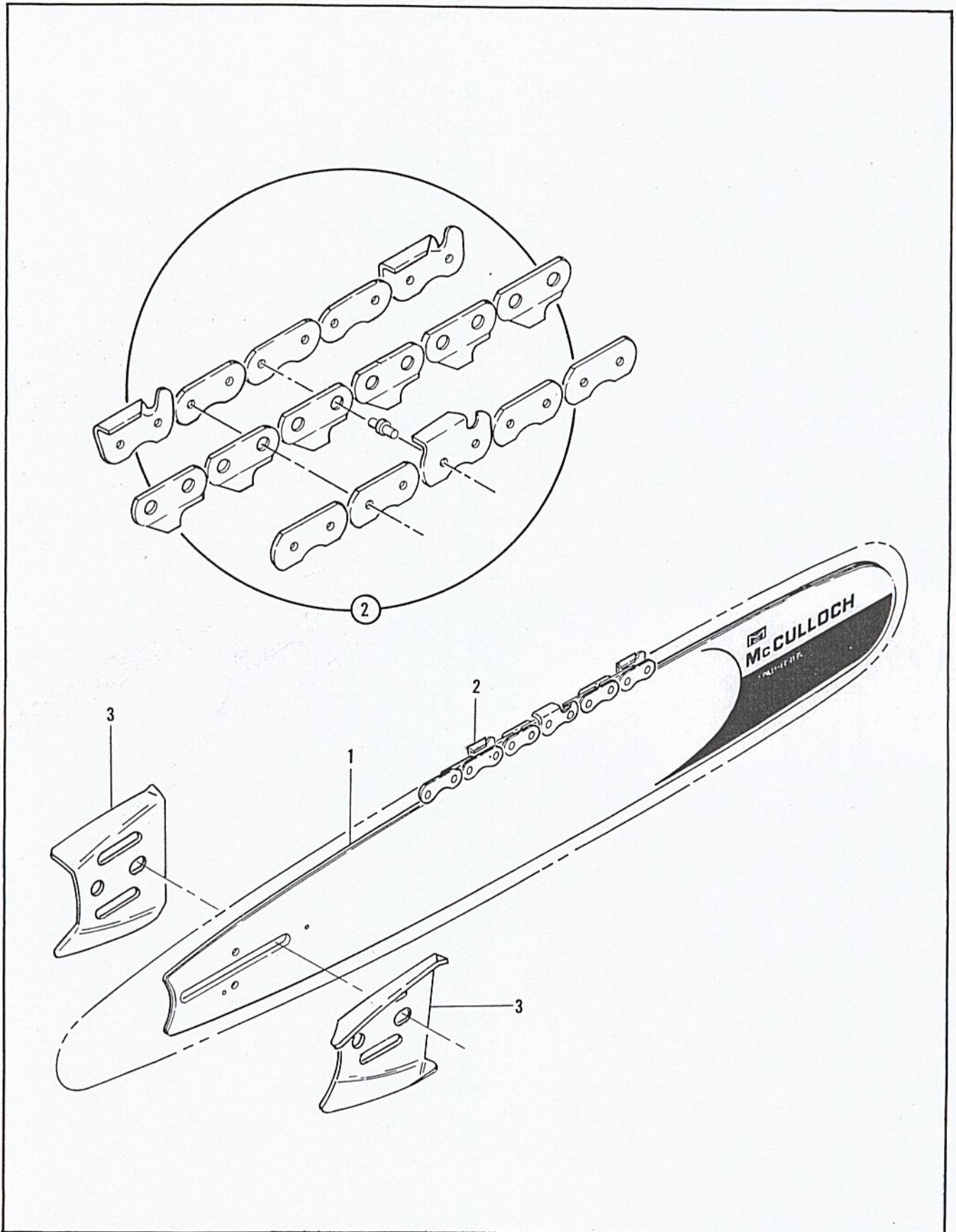


Figure 6. Bar and Chain Assemblies

SUPER 6-10 Automatic

FIGURE 6. BAR AND CHAIN ASSEMBLIES

Item No.	Part Number	Description	Units Per Assy
1		Bar	
2		Chain Assy	

Item No.	Part Number	Description	Units Per Assy
	64330	Set - Bar Plate	1
3	64325	. Plate - Bar	2

ACCESSORIES

Part Number	Description
- 83434	Manual - Owner's
62827	Wrench - Screwdriver
63746	Scrench
63341A	Kit - Spike
65325	Baffle
- 69058	Kit - Wrap-around frame
65712	Guide - Timing
63097	Spark Plug - AC CS 45T
65778	Spark Plug - AC CS 41T
- 69191	Kit - Pressure adaptor

Part Number	Description
- 69031	Piston Assy - 0.020 in. over-size
63291	. Ring Set - Piston 0.020 in. oversize
103085	. Bearing - Needle (2)
- 69032	Piston Assy - 0.030 in. over-size
63292	. Ring Set - Piston - 0.030 in. oversize
103085	. Bearing - Needle (2)