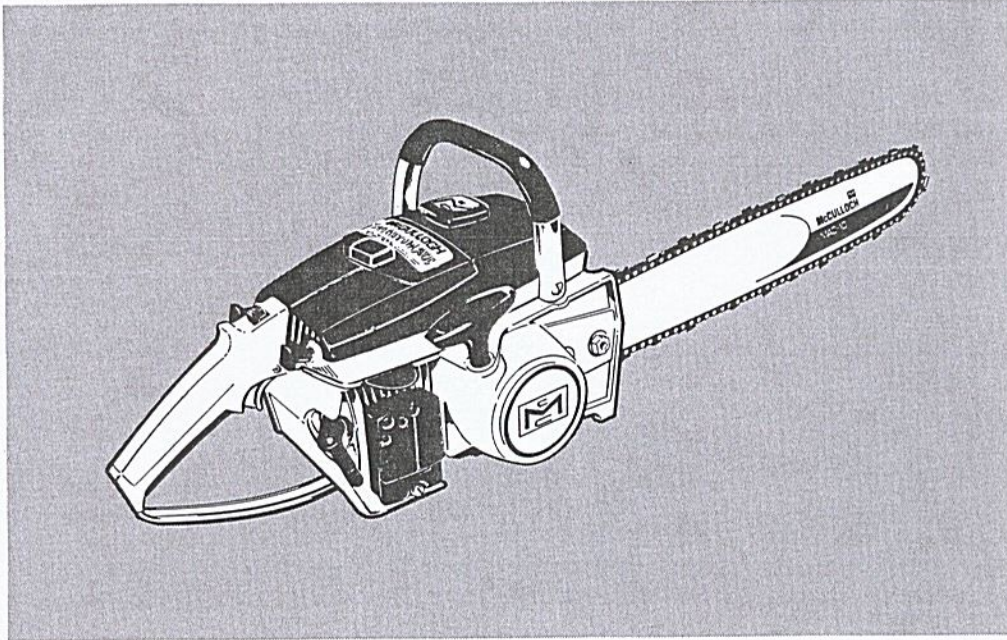


MAC 6-10 Chain Saw

Model 600057D Serial Numbers Prefixed 10-

ILLUSTRATED PARTS LIST



AUGUST 1968

The policy of McCulloch Corporation is one of continual improvement in design, manufacturing and engineering advancement wherever possible to assure still finer two-cycle power tools. Hence, specifications, equipment, colors, design and manufacturer's suggested list prices are subject to change without notice and McCulloch Corporation reserves the right to make such changes without prior notification or obligation to backfit or supply backfit components for units previously shipped from the factory.

	Page
Figure 1. Engine Exploded View - General	2
Figure 2. Clutch Guard & Starter Assembly	4
Figure 3. Fuel Tank Assembly	4
Figure 4. Carburetor Assembly	6
Figure 5. Powerhead Assembly	8
Figure 6. Bar and Chain Assembly	10



McCULLOCH

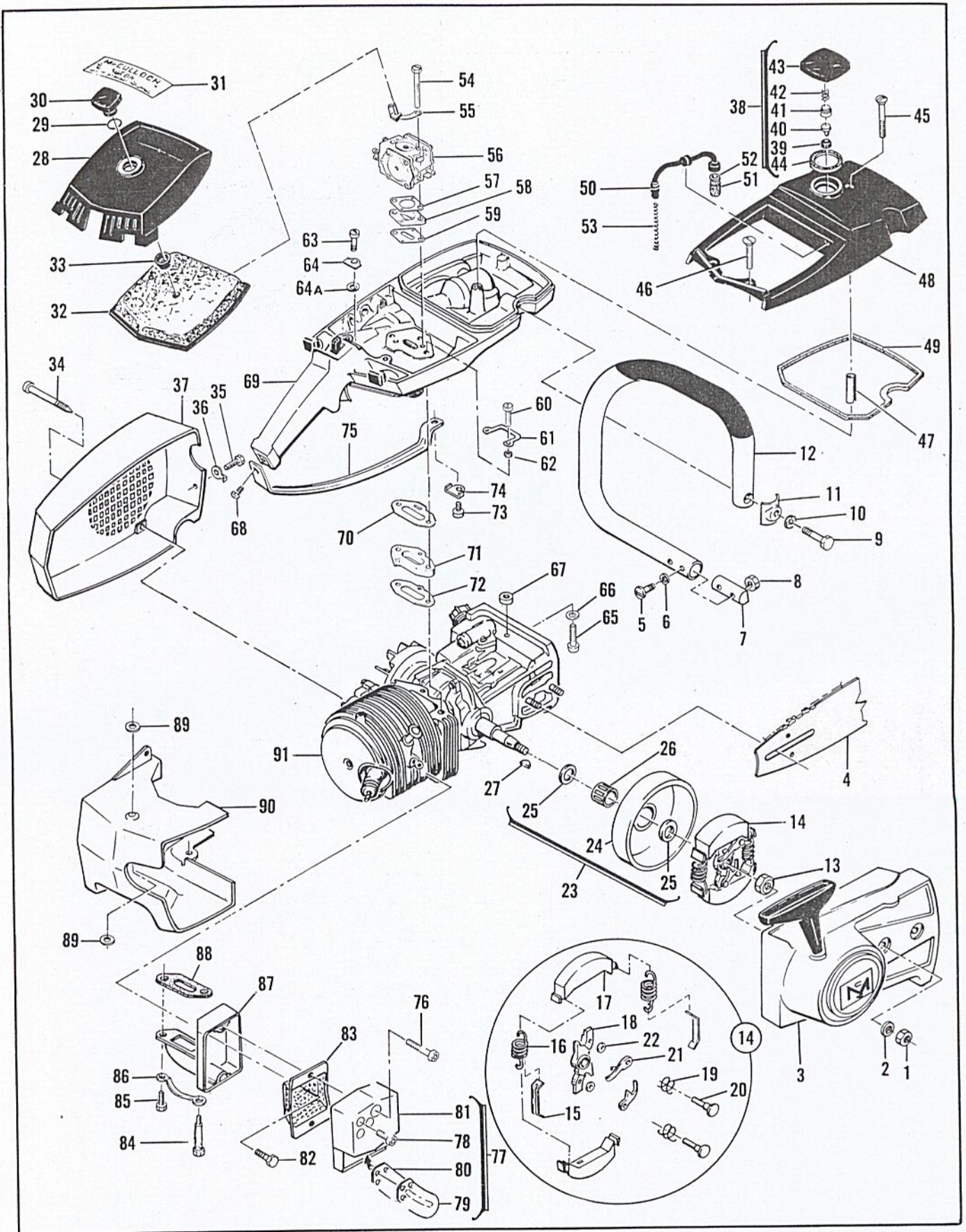


Figure 1. Engine Exploded View-General

FIGURE 1. ENGINE EXPLODED VIEW-GENERAL

Item No.	Part Number	Description	Units Per Assy	Item No.	Part Number	Description	Units Per Assy
1	110454	Nut - Hex 5/16-24	2	46	103579	Screw - Fl hd 10-24 x 1	2
2	100440	Washer - 5/16	2	47	63270	Spacer - Screw	1
3		Clutch Guard & Starter Assy (See Figure 2)	1	48	68537	Cover - Fuel tank	1
4		Bar & Chain (See Figure 6)	1	49	62102	Gasket - Cover	1
5	102761	Screw - Hex hd 10-24 x 7/8	2	50	64848	Hose Assy - Fuel	1
6	100352	Washer - #10	2	51	63932	. Filter - Fuel	1
7	61678	Plug - Nut retainer	1	52	100440	. Washer	1
8	101326	Nut - Hex 10-24	2	53	67944	Spring - Hose	1
9	102130	Screw - Hex 1/4-20 x 1-1/2	1	54	110551	Screw - Hex hd 10-24 x 2-1/8	2
10	100153	Lockwasher - 1/4	1	55	68534	Bracket Assy	1
11	63484	Clamp - Frame	1	56		Carburetor Assy (See Figure 4)	1
12	66310	Frame & Grip Assy	1	57	68132	Gasket - Carburetor	1
13	103746	Nut - Hex 3/8-24	1	58	66678	Spacer - Carburetor	1
14	68835	Clutch Assy	1	59	68131	Gasket - Spacer	1
15	64583	. Retainer	2	60	110567	Screw - Hex hd 12-24 x 1-1/4	2
16	66384	. Spring - Clutch	2	61	68582	Lockplate	1
17	67233	. Shoe - Clutch	2	62	102115	Washer	2
18	68842	. Rotor Assy	1	63	110568	Screw - Hex hd 12-24 x 1-1/8	1
19	68837	. . Spring - Pawl	2	64	68523	Lockplate	1
20	67112	. . Rivet	2	64A	64856	Washer - Special	1
21	68836	. . Pawl	2	65	102660	Screw - Skt hd 10-24 x 7/8	1
22	65473	. . Washer - Special	2	66	100003	Washer - #10	1
23	65370	Kit - Sprocket, Drum & Bearing Assy	1	67	68219	Spacer	1
24	65368	. Sprocket & Drum Assy	1	68	106078	Screw - Oval hd 10-24 x 7/16	1
25	61692	. Shim	2	69		Fuel Tank Assy (See Figure 3)	1
26	110330	Bearing	1	70	68580	Gasket - Fuel tank	1
27	103879	Key - Woodruff	1	71	68579	Insulator - Fuel tank	1
28	68530	Cover Assy - Air cleaner	1	72	68594	Gasket - Insulator	1
29	110565	. Ring - Retainer	1	73	110566	Screw - Hex hd 12-24 x 5/8	1
30	68529	. Knob - Cover	1	74	68508	Lockplate	1
31	68708	Nameplate	1	75	68845	Brace - Handle	1
32	68526	Filter Assy - Air	1	76	110473	Screw - Skt hd 10-24 x 1-5/8	2
33	68528	. Grommet - Filter	1	77	65532	Cover and Valve Assy	1
34	62978	Screw - Special	3	78	110472	. Screw - Skt hd 8-32 x 5/16	3
35	102762	Screw - Hex hd 10-24 x 1/2	1	79	69077	. Stop - Reed valve	1
36	28052	Lockplate	1	80	64785	. Valve - Reed	1
37	68544	Housing - Fan	1	81	65419	. Cover Assy - Spark arrester	1
38	68531	Cap Assy	1	82	110341	Screw - Hex hd 10-24 x 1/2	1
39	68533	. Plug	1	83	62379B	Baffle	1
40	63041	. Valve	1	84	68187	Screw - Hex hd 10-24 x 1-3/8	1
41	62316	. Guide	1	85	110529	Screw - Hex hd 10-24 x 1/2	1
42	63040	. Spring	1	86	67922	Lockplate	1
43	68532	. Body	1	87	68186	Body and Duct Assy	1
44	68653	. Gasket	1	88	68149	Gasket - Spark arrester	1
45	110402	Screw - Oval hd 12-24 x 2-3/8	1	89	68581	Insulator - Shroud	2
				90	67378	Shroud	1
				91		Power head Assy (See Figure 5)	1

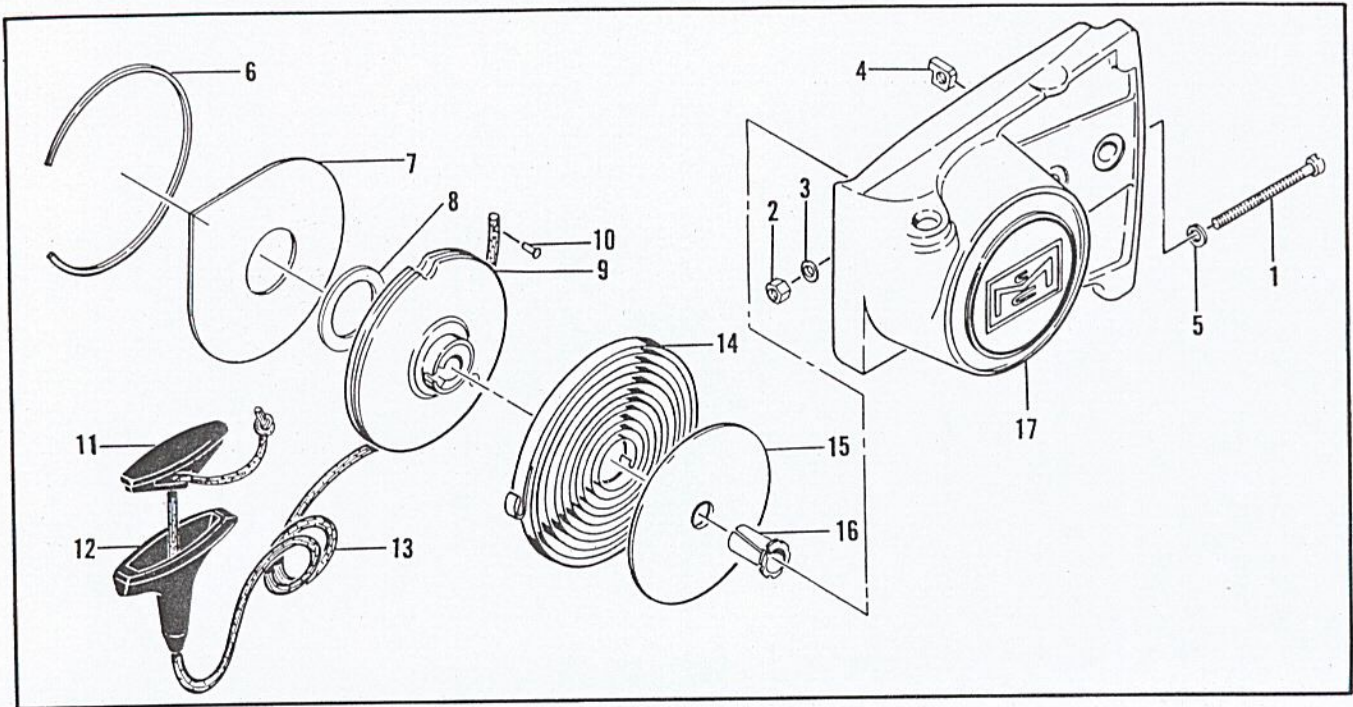


Figure 2. Clutch Guard and Starter Assembly

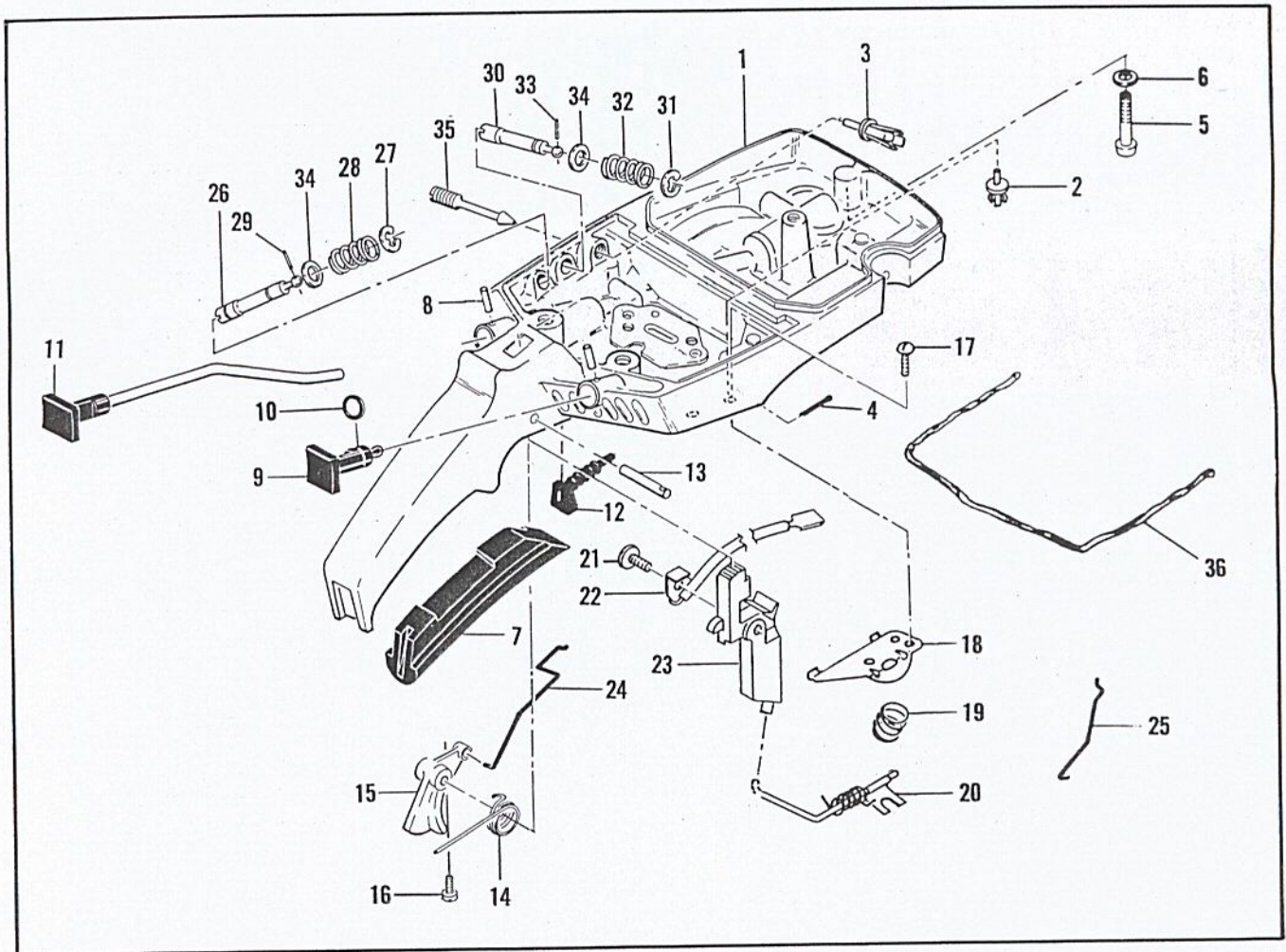


Figure 3. Fuel Tank Assembly

FIGURE 2. CLUTCH GUARD AND STARTER ASSEMBLY

Item No.	Part Number	Description	Units Per Assy
	67206	Clutch Guard Assy	83850 1
1	102144	. Screw - Bar adjusting	1
2	102067	. Nut - Hex #10	1
3	110387	. Washer - Wave	1
4	61705	. Nut - Bar adjusting	1
5	101174	. Washer - #10	1
6	67205	. Retainer - Shield	1
7	63985	. Shield - Dust	1
8	63986	. Washer - Thrust	1

Item No.	Part Number	Description	Units Per Assy
9	68695	. Drum - Starter	1
10	110470	. Rivet - Starter rope	1
11	62191A	. Insert - Handle	1
12	62190A	. Handle - Starter	1
13	67125	. Rope - Starter	1
14	68626	. Spring - Rewind	1
15	63987	. Shield - Spring	1
16	61635A	. Bushing - Nyliner	1
17	67207	. Guard - Clutch	1

FIGURE 3. FUEL TANK ASSEMBLY

Item No.	Part Number	Description	Units Per Assy
1	68683	Fuel Tank Assy	1
2	105788	. Rivet	2
3	110531	. Rivet	3
4	100010	. Pin - Cotter	1
5	102660	. Screw - Skt hd 10-24 x 7/8	1
6	100003	. Washer - #10	1
7	64872	Grip - Handle	1
8	105673	Pin - Roll 3/32 x 9/16	2
9	68517	Button - Choke	1
10	101056	"O" Ring	1
11	64871	Button & Rod Assy	1
12	68522	Seal - Throttle rod	1
13	110378	Pin - Roll 3/16 x 15/16	1
14	65734	Spring - Throttle return	1
15	67224	Trigger	1
16	110537	Screw - Trigger adjustment	1
17	105249	Screw - Rd hd 8-32 x 3/8	2
18	64721	Bracket - Lever Assy	1
19	64650	Spring - Valve	1

Item No.	Part Number	Description	Units Per Assy
20	67220	Lever Assy - Compression release	1
21	110385	Screw - Pan hd 8-32 x 3/8	1
22	65873	Wire Assy - Stop switch	1
23	67209	Button - Control	1
24	68170	Rod - Throttle	1
25	67355	Rod - Choke	1
26	68102	Extension Assy - High speed	1
27	110512	. Ring - Retaining	1
28	67363	. Spring	1
29	110509	. Pin - Groove	1
30	68101	Extension Assy - Idle	1
31	110512	. Ring - Retaining	1
32	67363	. Spring	1
33	110509	. Pin - Groove	1
34	67292	Washer	2
35	67271	Screw - Idle adjustment	1
36	* 68583	Seal - Airbox	AR

* 50 foot roll, 7 beads wide, containing 350 feet of sealer. Order by the running foot (each foot containing 7 feet of sealer). Approximately 1 foot of sealer required for each engine.

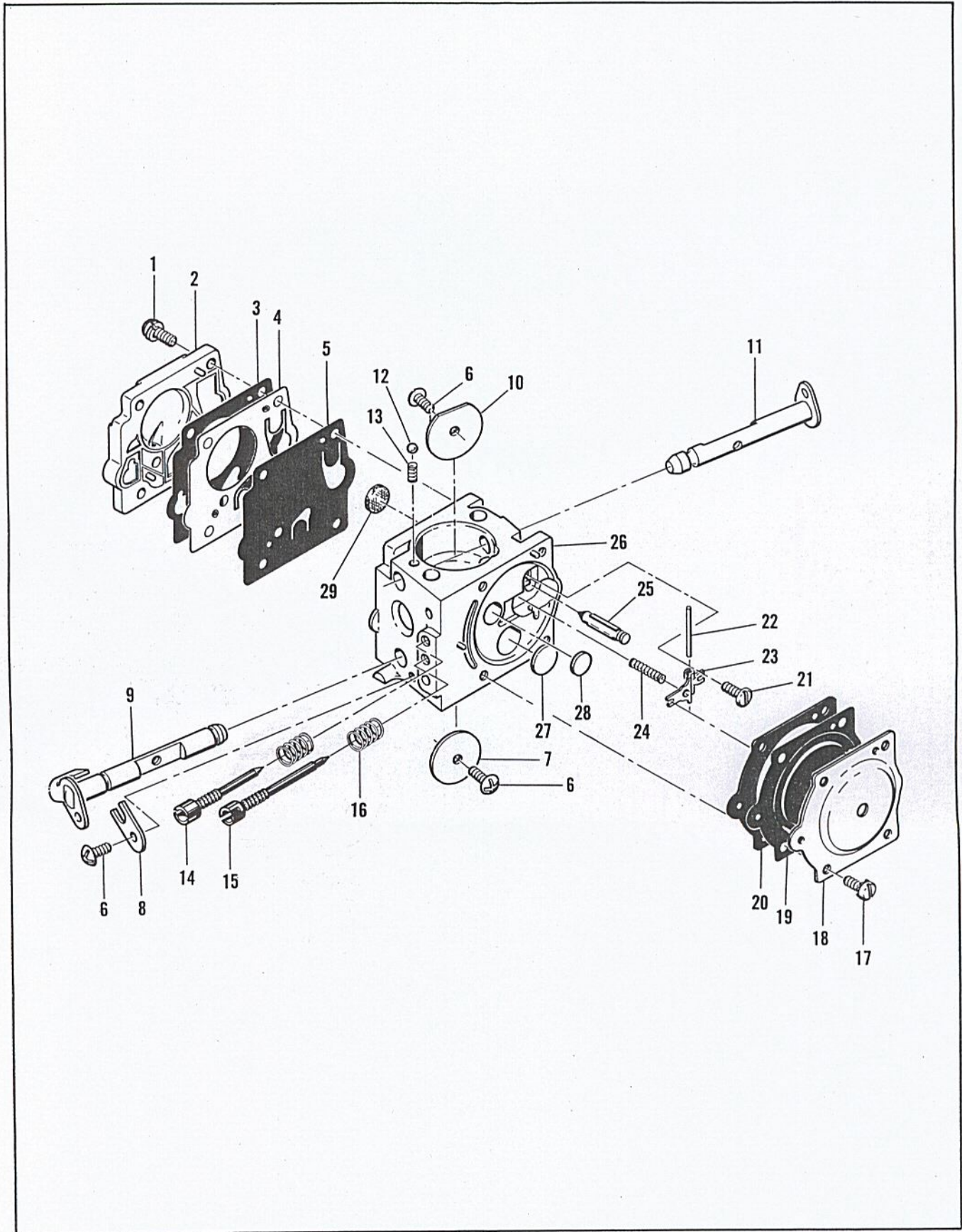


Figure 4. Carburetor Assembly

FIGURE 4. CARBURETOR ASSEMBLY

Item No.	Part Number	Description	Units Per Assy
	67379	Carburetor Assy	1
1	67501	. Screw - Pump cover	4
2	67484	. Cover - Pump	1
3	*67495	. Gasket - Cover	1
4	*67498	. Diaphragm - Check valve	1
5	*67497	. Diaphragm - Fuel pump	1
6	*47690	. Screw - Plate	3
7	67487	. Plate - Throttle	1
8	67489	. Clip - Shaft	1
9	67486	. Shaft Assy - Throttle	1
10	67490	. Plate - Choke	1
11	67488	. Shaft Assy - Choke	1
12	*100302	. Ball - Choke friction	1
13	*67504	. Spring - Choke	1
14	*67506	. Needle - High speed	1
15	*67505	. Needle - Idle	1
16	*67502	. Spring - Needle	2

Item No.	Part Number	Description	Units Per Assy
17	70798	. Screw - Diaphragm cover	4
18	67485	. Cover - Diaphragm	1
19	*67499	. Diaphragm - Metering	1
20	*67496	. Gasket - Diaphragm	1
21	*67500	. Screw - Lever pin	1
22	*67508	. Pin - Lever	1
23	*67509	. Lever - Metering	1
24	*67503	. Spring - Lever	1
25	*67491	. Valve - Needle	1
26	67483	. Body Assy - Carburetor	1
27	*67492	. . Plug - 3/8	1
28	*67493	. . Plug - 5/16	1
29	*67507	. . Screen - Fuel	1
	*67482	Gasket Set	
	67481	Repair Kit	

* Indicates parts included in Repair Kit, P/N 67481

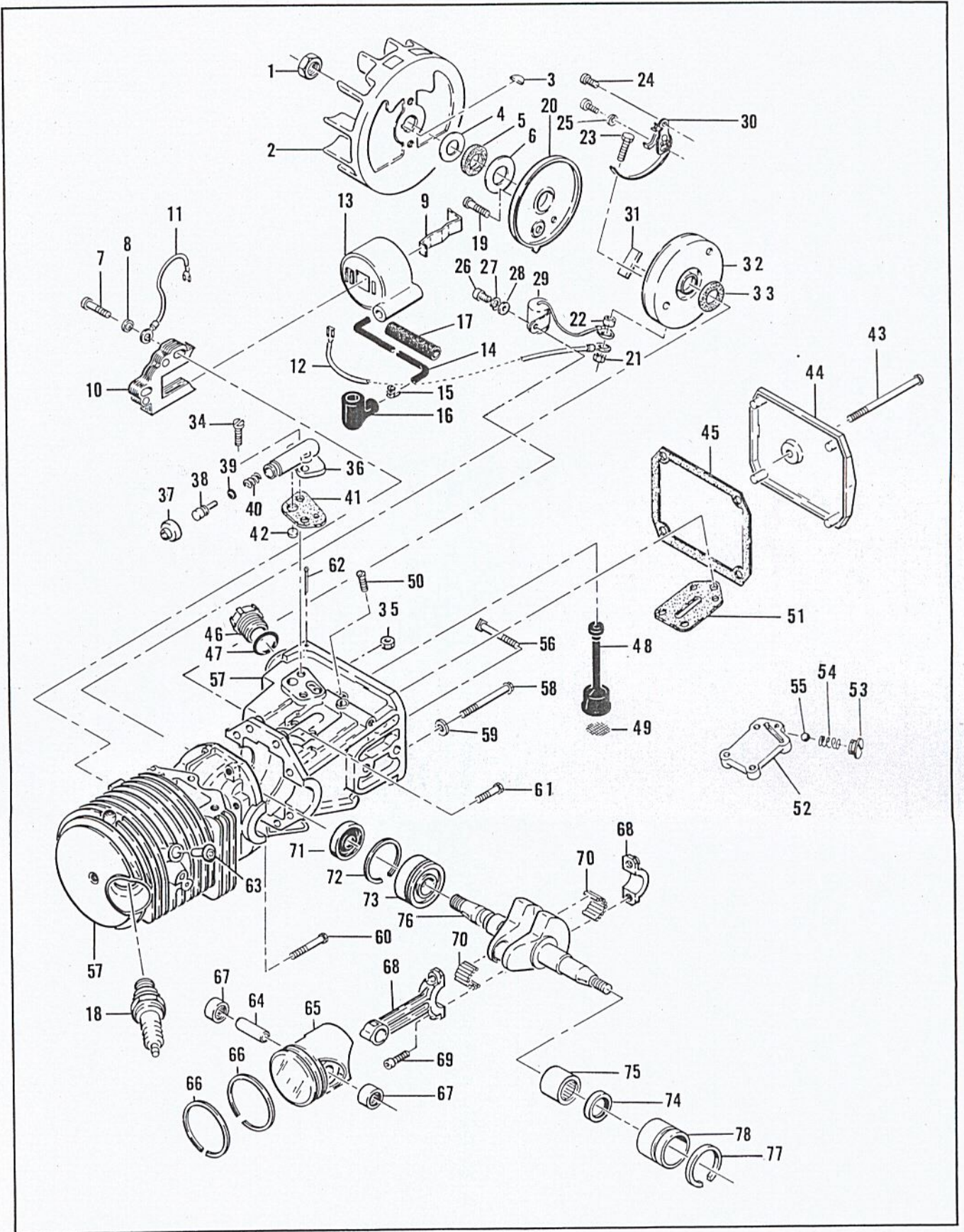


Figure 5. Powerhead Assembly

FIGURE 5. POWERHEAD ASSEMBLY

Item No.	Part Number	Description	Units Per Assy
1	101391	Nut - Hex 3/8-24	1
2	61737A	Flywheel Assy	1
3	103879	Key - Woodruff	1
4	67057	Washer - Thrust	1
5	67056	Seal	1
6	67054	Washer - Thrust	1
7	110127	Screw - Hex hd 10-24 x 7/8 (SEMS)	2
8	100003	Washer - #10	2
9	51253	Retainer - Coil	1
10	68164	Lamination Assy	1
11	62819	Wire Assy - Ground	1
12	62818A	Wire Assy - Primary	1
13	63888	Coil & Terminal Assy	1
14	67450	. Wire Assy - Spark plug	1
15	62932	. . Connector	1
16	62926	. . Boot	1
17	67127	. . Sleeve - Spark plug wire	1
18	63432	Spark Plug	1
19	110349	Screw - Rd hd 8-32 x 3/4	1
20	62362	Cover - Breaker box	1
21	100298	Nut - Hex 6-32	1
22	62365	Spacer - Breaker screw	1
23	110346	Screw - Hex hd 6-32 x 3/4	1
24	100934	Screw - Rd hd 8-32 x 3/8	2
25	105976	Washer - #8	1
26	100414	Screw - Fil hd 8-32 x 1/2	1
27	100252	Lockwasher - #8	1
28	100080	Washer #8	1
29	61650	Condenser	1
30	62363	Breaker Assy	1
31	54184	Wiper	1
32	62361	Box - Breaker	1
33	67051	Seal	1
34	100414	Screw - Hex hd 8-32 x 1/2	2
35	100955	Nut - Hex 8-32	1
36	62261A	Housing - Pump	1
37	62262	Cap - Housing	1
38	62266	Plunger - Pump	1
39	101056	"O" Ring	1

Item No.	Part Number	Description	Units Per Assy
40	66687	Spring	1
41	62230	Gasket	1
42	62909	Valve	1
43	110291	Screw - Pan hd 10-24 x 2-3/4	1
44	63072	Cover - Oil tank	1
45	62116	Gasket - Cover	1
46	57129A	Cap - Oil tank	1
47	101148	"O" Ring	1
48	62123B	Hose Assy - Oil	1
49	51506	. Screen - Hose	1
50	110333	Screw - Oval hd 8-32 x 1/2	3
51	62274	Gasket	1
52	68711	Body Assy - Check valve	1
53	68714	. Screw - Special	1
54	63034	. Spring - valve	1
55	100071	. Ball - Check valve	1
56	62065	Bolt - Bar mounting	2
57	68632	Crankcase Assy	1
58	62105	. Screw Assy - Sealing	4
59	62842	. . Washer - Sealing	4
60	110289	. Screw Assy - 8-32 x 1-1/8	1
61	110288	. Screw Assy - 8-32 x 3/4	3
62	100010	. Pin - Cotter	1
63	64714	. Valve - Compression release	1
64	65389	Pin - Piston	1
65	68421	Piston Assy	1
66	63290	. Ring Set - Piston	1
67	103085	. Bearing - Needle	2
68	65401	Connecting Rod Assy	1
69	61627A	. Screw - Skt hd 8-36 x 1/2	2
70	63225	. Roller - Needle (Set of 20)	1
71	65746	Oil Seal	1
72	63464	Ring - Snap	1
73	63429B	Bearing - Ball	1
74	65747	Oil Seal	1
75	104357	Bearing - Needle	1
76	63336	Crankshaft	1
77	63699	Ring - Bearing insert	1
78	63701	Insert - Bearing	1

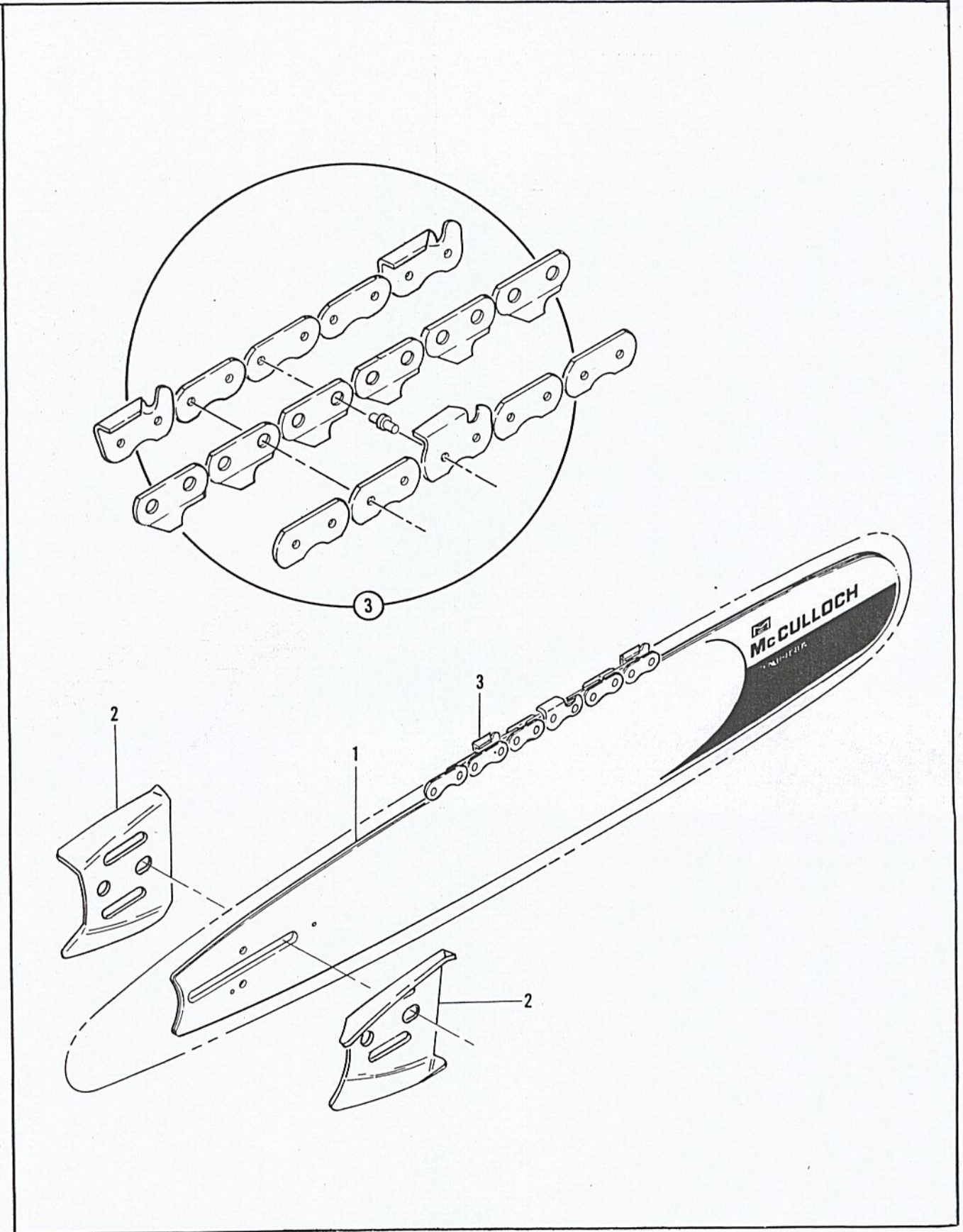


Figure 6. Bar and Chain Assemblies

FIGURE 6. BAR AND CHAIN ASSEMBLIES

Item No.	Part Number	Description	Units Per Assy
1		Bar	
2	64325	Plate - Bar protector	2

Item No.	Part Number	Description	Units Per Assy
3		Chain Assy	

ACCESSORIES

Part Number	Description
68965	Manual - Owner's
62827	Wrench
63746	Kit - Wrench
63341A	Kit - Spike
65325	Baffle
66316	Kit - Wrap around frame
65712	Guide - Timing
63097	Spark Plug - AC CS 45T
65778	Spark Plug - AC CS 41T

Part Number	Description
68422	Piston Assy - 0.020 in. oversize
63291	. Ring Set - Piston 0.020 in. oversize
103085	. Bearing - Needle (2)
68423	Piston Assy - 0.030 in. oversize
63292	. Ring Set - Piston - 0.030 in. oversize
103085	. Bearing - Needle (2)