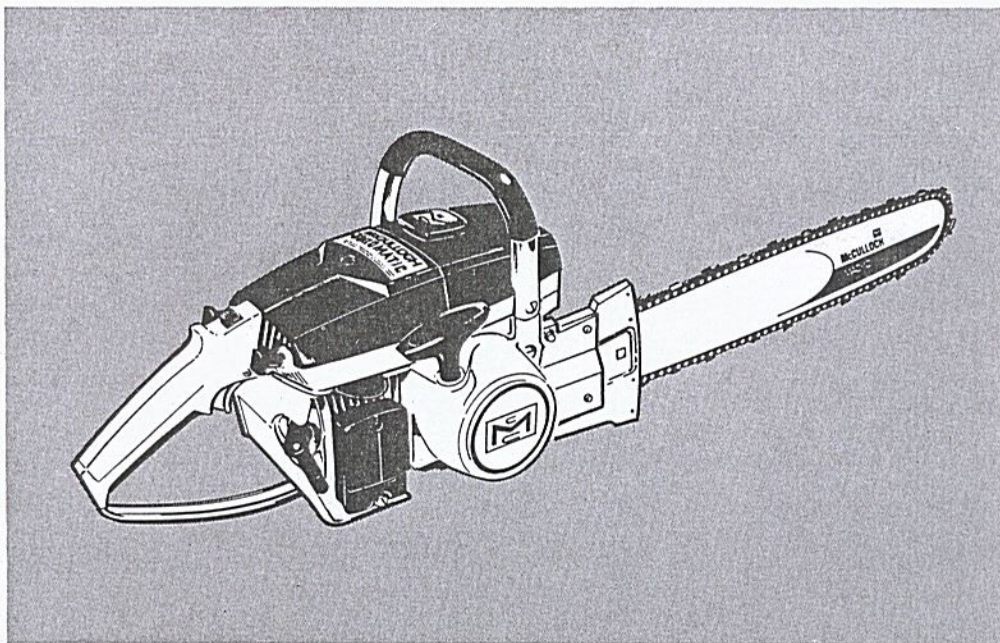


MAC 5-10G AUTOMATIC Chain Saw

Serial Numbers Prefixed 10-

ILLUSTRATED PARTS LIST



July 1967

The following pages contain an Illustrated Parts List for this model. Due to small differences between engines, it is important that the Serial Number be included whenever spare parts are ordered.

The policy of McCulloch Corporation is one of continual improvement in design, manufacturing and engineering advancement wherever possible to assure still finer two-cycle power tools. Hence, specifications, equipment, colors, design and manufacturer's suggested list prices are subject to change without notice and McCulloch Corporation reserves the right to make such changes without prior notification or obligation to backfit or supply backfit components for units previously shipped from the factory.

	Page
Figure 1. Engine Exploded View - General	2
Figure 2. Clutch Guard & Starter Assembly	4
Figure 3. Fuel Tank Assembly	4
Figure 4. Carburetor Assembly	6
Figure 5. Transmission Assembly	8
Figure 6. Powerhead Assembly	10



McCULLOCH

MAC 5-10G
AUTOMATIC

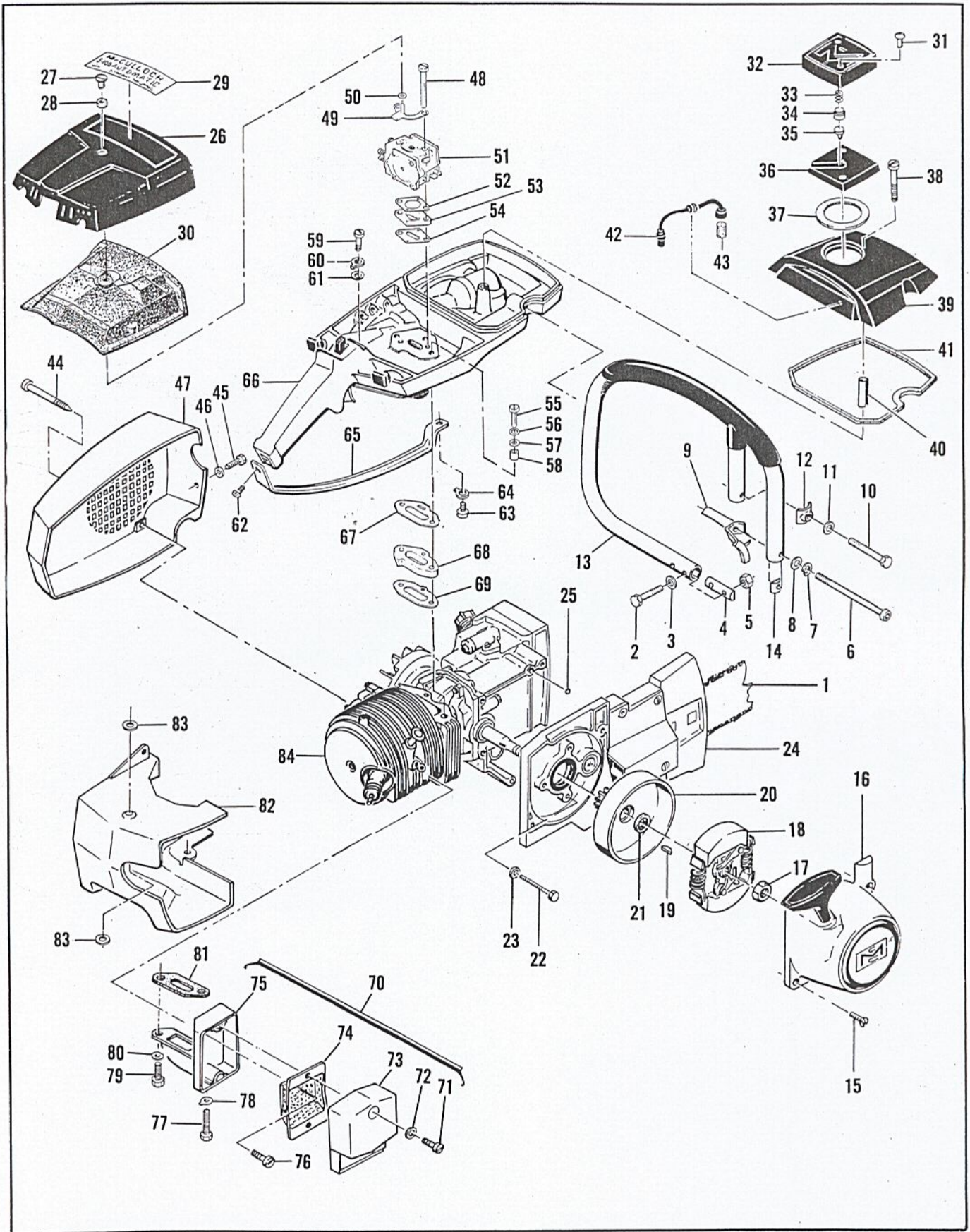


Figure 1. Engine Exploded View-General

FIGURE 1. ENGINE EXLODED VIEW — GENERAL

Item No.	Part Number	Description	Units Per Assy
1		Bar & Chain Assy (See Figure 5)	1
2	102761	Screw - Hex hd 10-24 x 7/8	2
3	100352	Washer - #10	2
4	61678	Plug - Nut retainer	1
5	101326	Nut - Hex 10-24	2
6	110448	Screw - Skt hd 10-24 x 3-1/4	1
7	103174	Lockwasher - #10	1
8	100003	Washer - #10	1
9	-67531	Bracket - Frame	1
10	102130	Screw - Hex hd 1/4-20 x 1-1/2	1
11	100153	Lockwasher - 1/4	1
12	63484	Clamp - Frame	1
13	66341	Frame & Grip Assy	1
14	62271	. Plug - Frame	1
15	110403	Screw - Oval hd 8-32 x 5/8	1
16		Starter Assy (See Figure 2)	1
17	103746	Nut - 3/8-24	1
18		Clutch Assy (See Figure 2)	1
19	103879	Key - Woodruff	1
20	-63493	Drum, Gear & Seal Assy	1
21	-63476	. Seal	1
22	102765	Screw - Hex hd 10-24 x 1-3/4	2
23	100003	Washer - #10	2
24		Transmission Assy (See Figure 5)	1
25	106104	"O" Ring	1
26	-66597	Cover Assy - Air cleaner	1
27	-66290	. Nut - Cover	1
28	-66665	. Spacer - Nut	1
29	-67926	Nameplate	1
30	-66652	Filter - Air	1
	-67266	Fuel Cap Assy	1
31	-110510	. Rivet	2
32	-67267	. Cover	1
33	63040	. Spring	1
34	62316	. Guide	1
35	63041	. Valve	1
36	-64761	. Body	1
37	65671	. Gasket	1
38	110402	Screw - Oval hd 12-24 x 2-3/8	1
39	63288	Cover - Fuel tank	1
40	63270	Spacer - Cover	1
41	62102	Gasket - Fuel tank	1

Item No.	Part Number	Description	Units Per Assy
42	64848	Hose Assy - Fuel	1
43	63932	. Filter - Fuel	1
44	62978	Screw - Special	3
45	-105348	Screw - 10-24 x 1/2 (SEMS)	1
46	-110264	Washer - #10	1
47	-67117	Housing - Fan	1
48	-103356	Screw - Hex hd 10-24 x 2-1/8	2
49	-66681	Bracket Assy	1
50	-67062	Seal - Air cleaner	1
51		Carburetor Assy (See Figure 4)	1
52	-67904	Gasket - Carburetor	1
53	-66678	Spacer - Carburetor	1
54	-66752	Gasket - Spacer	1
55	-110505	Screw - Hex hd 10-24 x 1-3/8	2
56	-101194	Lockwasher - #10	2
57	-102189	Washer - #10	2
58	-66189	Sleeve	2
59	-110516	Screw - Hex hd 10-24 x 1-1/8	1
60	63475	Lockplate	1
61	-64856	Washer - #10	1
62	110353	Screw - Oval hd 10-24 x 3/8	1
63	102388	Screw - Hex hd 10-24 x 5/8	1
64	-28052	Lockplate	1
65	-67144	Brace - Handle	1
66		Fuel Tank Assy (See Figure 3)	1
67	65674	Gasket - Fuel tank	1
68	-66661	Insulator - Fuel tank	1
69	65741	Gasket - Insulator	1
70	64846	Spark Arrester Assy	1
71	102290	. Screw - Hex hd 10-24 x 1-1/8	2
72	110264	. Washer - #10	2
73	62380	. Cover	1
74	62379B	. Baffle	1
75	64601	. Body & Duct Assy	1
76	110341	Screw - Hex hd 10-24 x 1/2	1
77	110507	Screw - Hex hd 10-24 x 1-3/8	1
78	63475	Lockplate	1
79	110529	Screw - Hex hd 10-24 x 1/2	1
80	36388	Lockplate	1
81	-62337	Gasket - Spark arrester	1
82	-67378	Shroud	1
83	-62085A	Insulator	2
84		Powerhead Assy (See Figure 6)	1

Part numbers which have changed since the previous printing of the illustrated parts list covering this model, are indicated by a dash (-) preceding the new part number. The dash precedes part numbers changed by a letter suffix as well as those changed to an entirely new number.

MAC 5-10G
AUTOMATIC

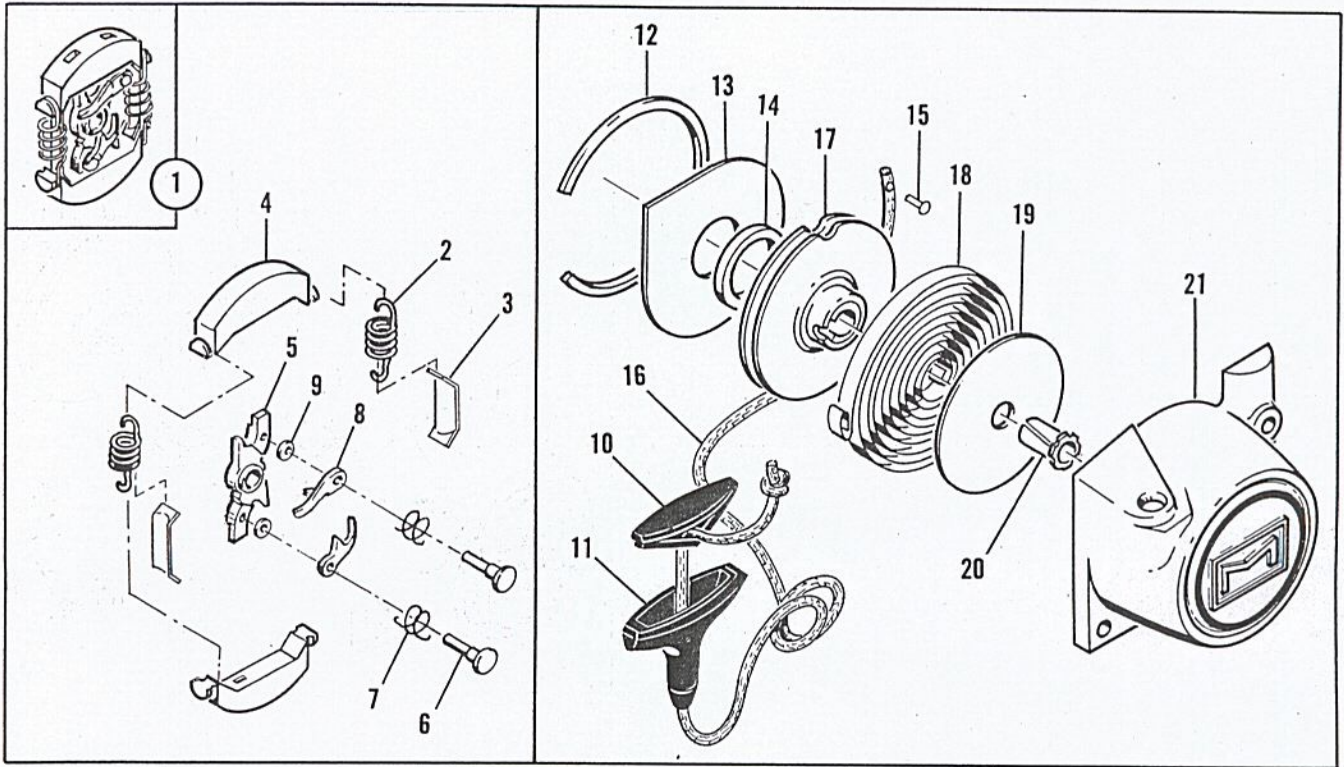


Figure 2. Clutch and Starter Assemblies

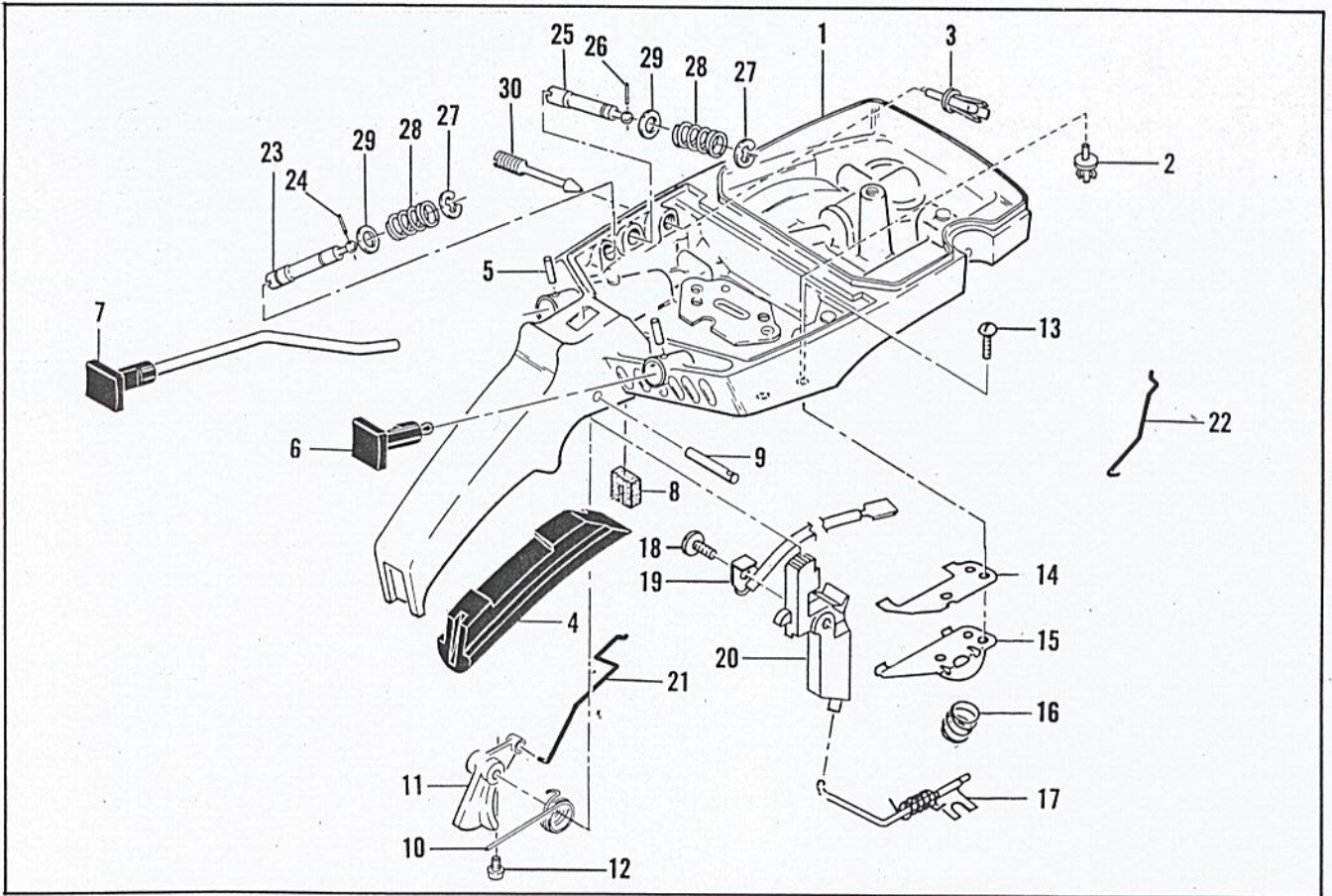


Figure 3. Fuel Tank Assembly

FIGURE 2. CLUTCH AND STARTER ASSEMBLY

Item No.	Part Number	Description	Units Per Assy
1	-67148	Clutch Assy	1
2	-66384	. Spring - Clutch	2
3	64583	. Retainer - Spring	2
4	-67233	. Shoe - Clutch	2
5	-67149	. Rotor Assy	1
6	-67112	. . Rivet	2
7	-67111	. . Spring	2
8	64857	. . Pawl	2
9	65473	. . Washer	2
	-67058	Starter Assy	1
10	62191A	. Insert	1

Item No.	Part Number	Description	Units Per Assy
11	62190A	. Handle	1
12	-67205	. Retainer - Shield	1
13	63985	. Shield - Dust	1
14	63986	. Washer - Thrust	1
15	-110470	. Rivet - Rope	1
16	-67125	. Rope - Starter	1
17	65526	. Drum - Starter	1
18	36059	. Spring - Rewind	1
19	63987	. Shield - Spring	1
20	61635A	. Bushing - Nyliner	1
21	-67059	. Housing - Starter	1

FIGURE 3. FUEL TANK ASSEMBLY

Item No.	Part Number	Description	Units Per Assy
1	-67200	Fuel Tank Assy	1
2	105788	. Rivet	2
3	-110531	. Rivet	3
4	64872	Grip - Handle	1
5	105673	Pin - Roll 3/32 x 9/16	2
6	-67374	Button - Choke	1
7	64871	Button & Rod Assy	1
8	61696	Seal - Throttle rod	1
9	110378	Pin - Roll 3/16 x 15/16	1
10	65734	Spring - Throttle return	1
11	-67224	Trigger	1
12	-110508	Screw - Trigger adjustment	1
13	105249	Screw - Rd hd 8-32 x 3/8	2
14	64621	Shield	1
15	64721	Bracket - Lever Assy	1
16	64650	Spring - Valve	1

Item No.	Part Number	Description	Units Per Assy
17	-67220	Lever Assy - Compression release	1
18	110469	Screw - Pan hd 8-32 x 5/16	1
19	65873	Wire Assy - Stop switch	1
20	-67209	Button - Control	1
21	-66676	Rod - Throttle	1
22	-67355	Rod - Choke	1
23	-67369	Extension Assy - High speed	1
24	-110509	. Pin - Groove	1
25	-67368	. Extension Assy - Idle	1
26	-110509	. Pin - Groove	1
27	-110512	Ring - Retaining	2
28	-67363	Spring	2
29	-67292	Washer	2
30	-67271	Screw - Idle adjustment	1

MAC 5-10G
AUTOMATIC

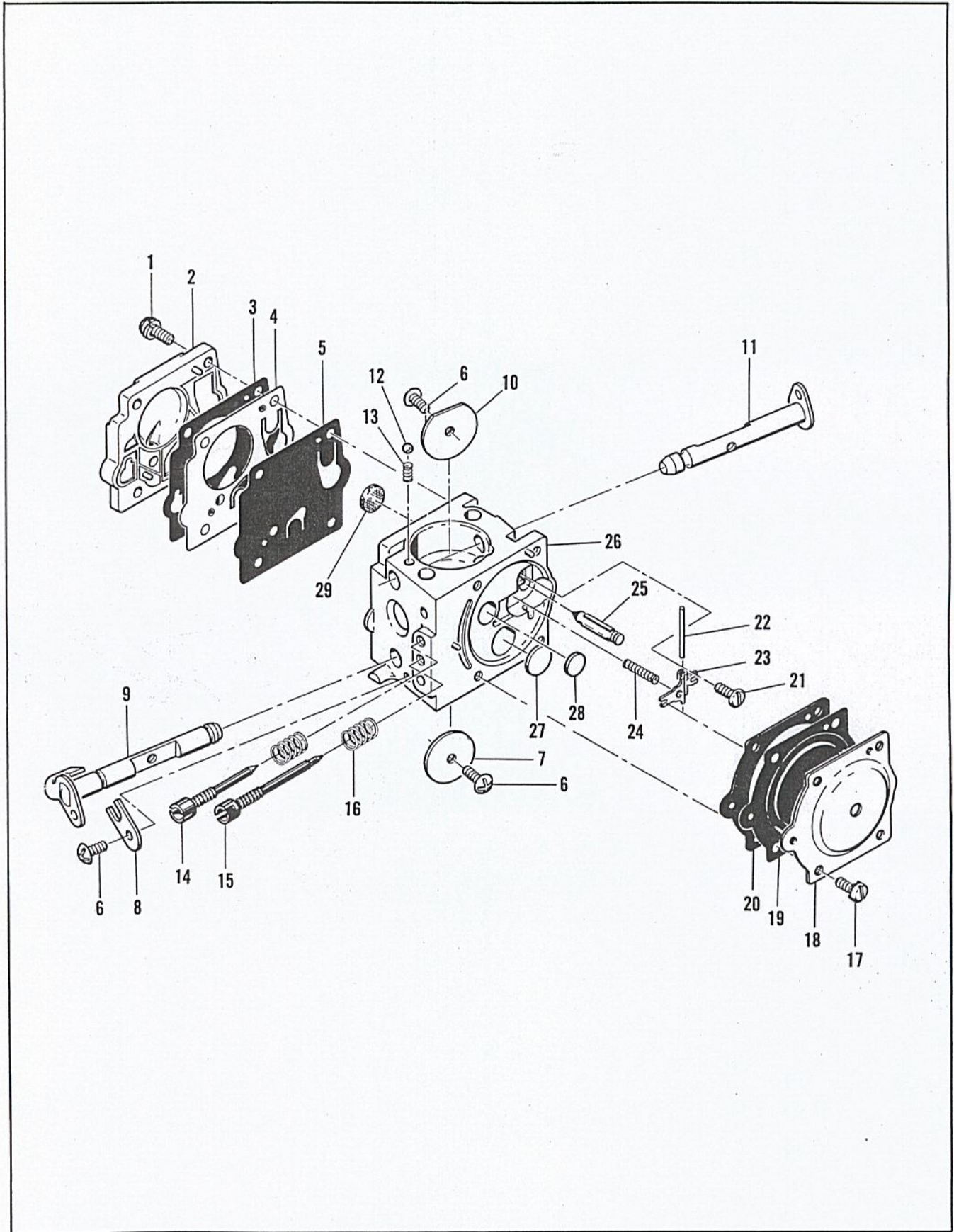


Figure 4. Carburetor Assembly

FIGURE 4. CARBURETOR ASSEMBLY

Item No.	Part Number	Description	Units Per Assy
	- 67379	Carburetor Assy	1
1	- 67501	. Screw - Pump cover	4
2	- 67484	. Cover - Pump	1
3 *	- 67495	. Gasket - Cover	1
4 *	- 67498	. Diaphragm - Check valve	1
5 *	- 67497	. Diaphragm - Fuel pump	1
6 *	- 47690	. Screw - Plate	3
7	- 67487	. Plate - Throttle	1
8	- 67489	. Clip - Shaft	1
9	- 67486	. Shaft Assy - Throttle	1
10	- 67490	. Plate - Choke	1
11	- 67488	. Shaft Assy - Choke	1
12 *	- 67494	. Ball - Choke friction	1
13 *	- 67504	. Spring - Choke	1
14 *	- 67506	. Needle - High speed	1
15 *	- 67505	. Needle - Idle	1
16 *	- 67502	. Spring - Needle	2

Item No.	Part Number	Description	Units Per Assy
17	- 70798	. Screw - Diaphragm cover	4
18	- 67485	. Cover - Diaphragm	1
19 *	- 67499	. Diaphragm - Metering	1
20 *	- 67496	. Gasket - Diaphragm	1
21 *	- 67500	. Screw - Lever pin	1
22 *	- 67508	. Pin - Lever	1
23 *	- 67509	. Lever - Metering	1
24 *	- 67503	. Spring - Lever	1
25 *	- 67491	. Valve - Needle	1
26	- 67483	. Body Assy - Carburetor	1
27 *	- 67492	. . Plug - 3/8	1
28 *	- 67493	. . Plug - 5/16	1
29 *	- 67507	. . Screen - Fuel	1
	* 67482	Gasket Set	
	67481	Repair Kit	

*Indicates parts included in Repair Kit, P/N 67481

MAC 5-10G AUTOMATIC

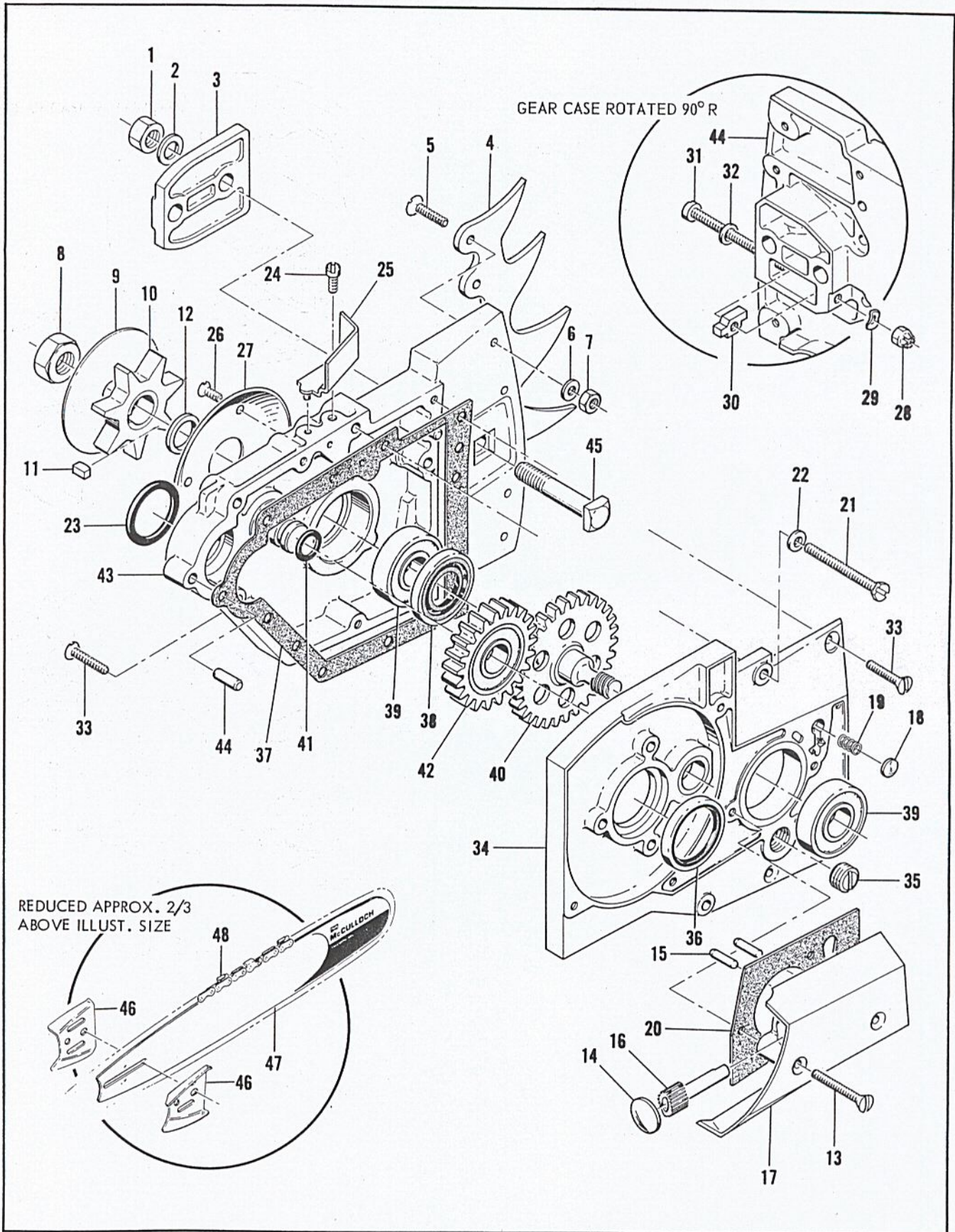


Figure 5. Transmission Assembly

FIGURE 5. TRANSMISSION ASSEMBLY

Item No.	Part Number	Description	Units Per Assy
1	103729	Nut - Hex 3/8-24	2
2	100006	Washer - 3/8	2
3	63417	Plate - Bar clamp	1
4	63994	Kit - Spike	1
5	110245	. Screw - Fl hd 10-24 x 3/4	4
6	101174	. Washer - #10	4
7	101191	. Nut - Hex 10-24	4
8	60972	Nut - Hex 7/16-20	1
9	63997A	Plate - Sprocket	1
10	36644A	Sprocket	1
11	63808	Key - Sprocket	1
12	64754	Spacer - Sprocket	1
13	110406	Screw - Oval hd 8-32 x 1-1/4	2
	65882	Pump Assy - Oil	1
14	105559	. Plug - Welch	1
15	110392	. Pin - Plunger	2
16	63428	. Plunger - Pump	1
17	65881	. Body - Pump	1
18	62909	Valve - Oiler	1
19	63692	Spring - Valve	1
20	63474	Gasket - Pump	1
21	102765	Screw - Hex hd 10-24 x 1-3/4	2
22	100003	Washer - #10	2
	66208	Transmission Assy	1
23	104360	. "O" Ring	1

Item No.	Part Number	Description	Units Per Assy
24	110055	. Screw - Fil hd 8-32 x 3/8	1
25	63491	. Filler	1
26	110417	. Screw - Fl hd 6-32 x 3/8	3
27	63416	. Plate - Sprocket	1
28	102067	. Nut - Hex #10	1
29	110387	. Washer - Wave	1
30	63824A	. Nut - Bar adjustment	1
31	102144	. Screw - Bar adjustment	1
32	101174	. Washer - #10	1
33	110405	. Screw - Oval hd 8-32 x 7/8	6
34	64779	. Cover Assy - Gearcase	1
35	101775	. . Plug - Filler	1
36	63477	. . Seal - Pinion gear	1
37	63433	. Gasket - Cover	1
38	63478	. Seal - Gearcase	1
39	110348	. Bearing - Sprocket shaft	2
40	64775	. Gear - Sprocket	1
41	110452	. "O" Ring	1
42	66616	. Gear Assy - Idler	1
43	64770	. Gearcase	1
44	101770	. . Pin - Dowel	2
45	64584	. . Bolt - Bar	2
46	64935	Plate - Bar protector	2
47		Bar	1
48		Chain Assy	1

MAC 5-10G
AUTOMATIC

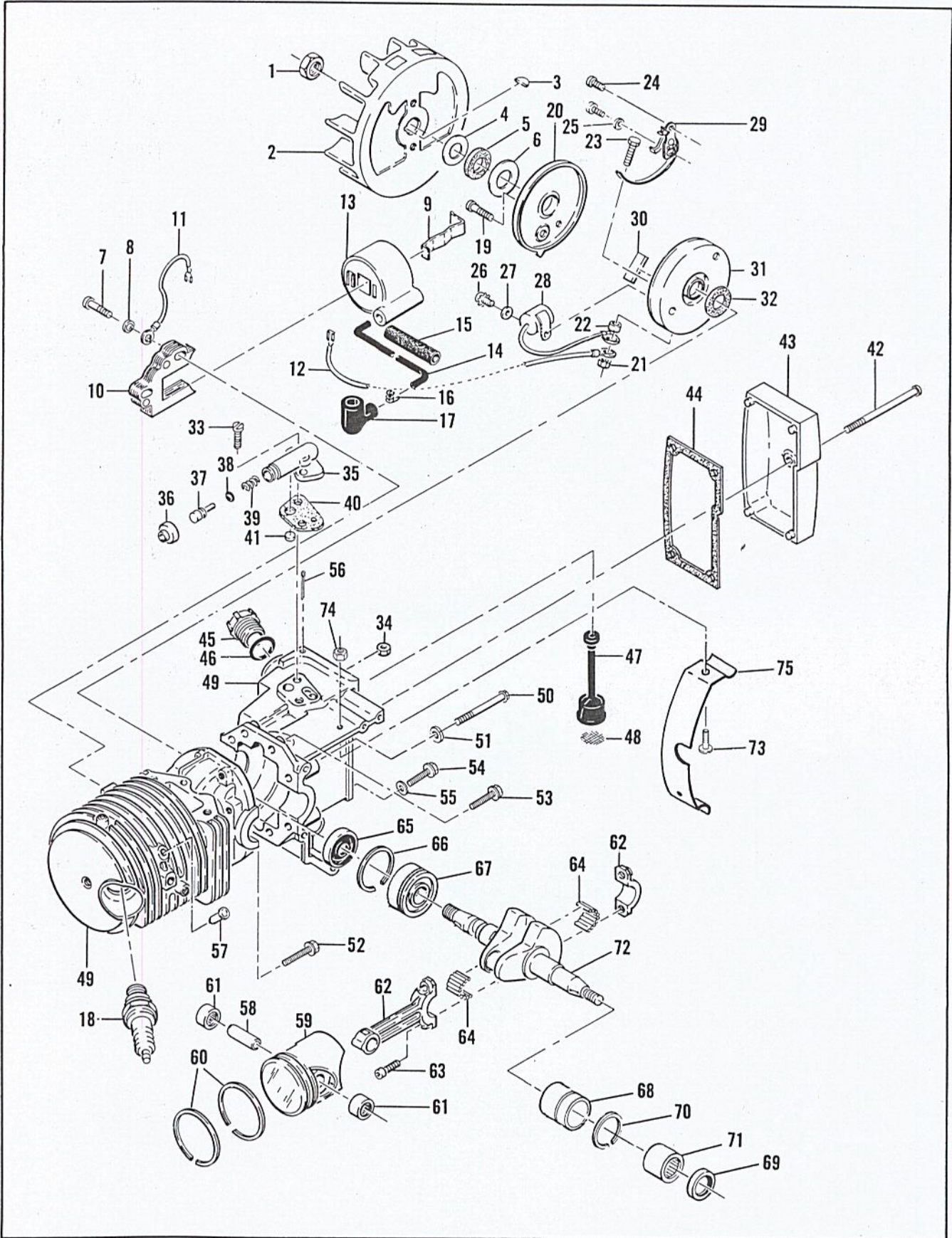


Figure 6. Powerhead Assembly

FIGURE 6. POWERHEAD ASSEMBLY

Item No.	Part Number	Description	Units Per Assy
1	101391	Nut - Hex 3/8-24	1
2	61737A	Flywheel Assy	1
3	103879	Key - Woodruff	1
4	-67057	Washer - Thrust	1
5	-67056	Seal	1
6	-67054	Washer - Thrust	1
7	-110127	Screw - Fil hd 10-24 x 7/8	2
8	100003	Washer - #10	2
9	51253	Retainer - Coil	1
10	62741	Lamination Assy	1
11	62819	Wire Assy - Ground	1
12	62818A	Wire Assy - Primary	1
13	63888	Coil & Terminal Assy	1
14	-67450	. Wire & Sleeve Assy-Sp. Plug	1
15	-67127	. . Sleeve	1
16	62932	. . Connector	1
17	62926	. . Boot	1
18	63432	Spark Plug	1
19	110349	Screw - Rd hd 8-32 x 3/4	1
20	62362	Cover - Breaker box	1
21	100298	Nut - Hex 6-32	1
22	62365	Spacer - Breaker screw	1
23	110346	Screw - Hex hd 6-32 x 3/4	1
24	100934	Screw - Rd hd 8-32 x 3/8	2
25	105976	Washer - #8	1
26	105249	Screw - Rd hd 8-32 x 3/8 (SEMS)	1
27	-100080	Washer - #8	1
28	61650	Condenser -	1
29	62363	Breaker Assy	1
30	54184	Wiper - Cam	1
31	62361	Box - Breaker	1
32	-67051	Seal - Box	1
33	100414	Screw - Fil hd 8-32 x 1/2	2
34	100955	Nut - Hex 8-32	1
35	62261A	Housing - Pump	1
36	62262	Cap - Housing	1
37	62266	Plunger - Pump	1
38	101056	"O" Ring	1

Item No.	Part Number	Description	Units Per Assy
39	-66687	Spring - Plunger	1
40	62230	Gasket - Pump	1
41	62909	Valve - Pump	1
42	110407	Screw - Pan hd 10-24 x 3-1/2	1
43	63974	Cover - Oil tank	1
44	63442	Gasket - Cover	1
45	57129A	Cap	1
46	101148	"O" Ring	1
47	62123B	Hose Assy - Oil	1
48	51506	. Screen - Hose	1
49	-67120	Crankcase Assy	1
50	62105	. Screw Assy - Sealing	4
51	62842	. . Washer - Sealing	4
52	110404	. Screw Assy - 8-32 x 7/8	1
53	110288	. Screw Assy - 8-32 x 3/4	2
54	63607	. Screw Assy - Sealing	1
55	63606	. . Washer - Sealing	1
56	100010	. Pin - Cotter	1
57	64714	. Valve - Compression release	1
58	65389	Pin - Piston	1
59	-67257	Piston Assy	1
60	63290	. Ring Set - Piston	1
61	103085	. Bearing - Needle	2
62	65401	Connecting Rod Assy	1
63	61627A	. Screw - Skt hd 8-36 x 1/2	2
64	63225	. Roller - Needle (Set of 20)	1
65	65746	Oil Seal	1
66	63464	Ring - Snap	1
67	63429B	Bearing - Ball	1
68	-63492	Insert & Bearing Assy	1
69	65747	. Oil Seal	1
70	63699	. Ring - Insert	1
71	104357	. Bearing - Needle	1
72	63401A	Crankshaft	1
73	105221	Screw - Rd hd 10-24 x 5/16	2
74	101191	Nut - Hex 10-24	2
75	65363	Guard - Crankcase	1

TOOLS AND ACCESSORIES

Part Number	Description
67943	Manual - Owner's
51445A	Wrench - Screwdriver
65712	Guide - Timing
-67067	Kit - Gearcase Brace
-67053	Plate - Wear
65325	Baffle - Spark arrester
65778	Spark Plug - AC CS 41T
-67258	Piston Assy - 0.020 in. oversize

Part Number	Description
63291	. Ring Set - Piston 0.020 in. oversize
103085	. Bearing - Needle (2)
-67259	Piston Assy - 0.030 in. oversize
63292	. Ring Set - Piston 0.030 in. oversize
103085	. Bearing - Needle (2)