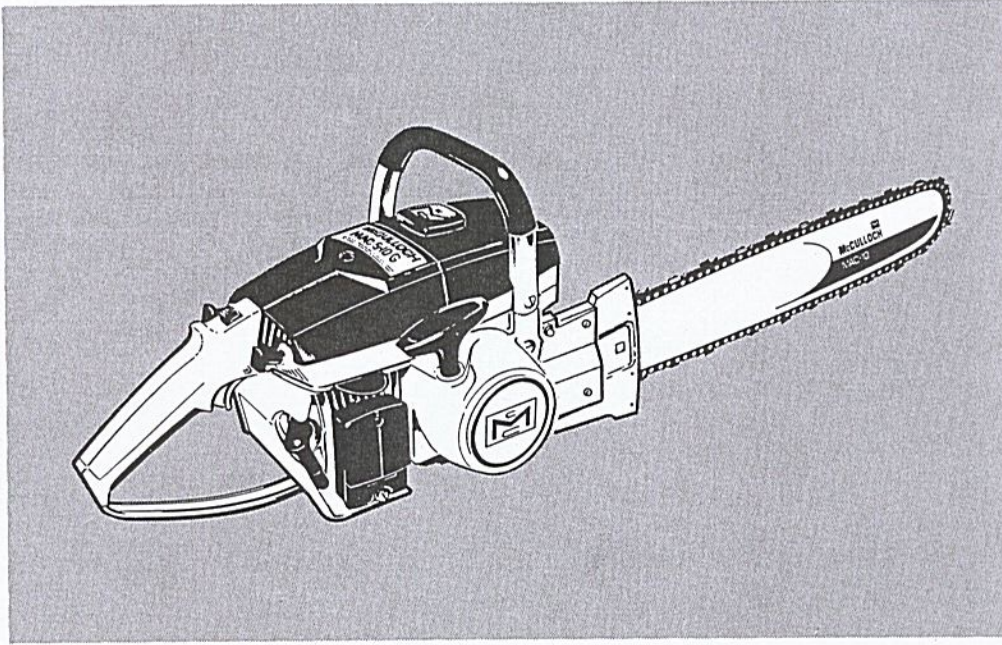


MAC 5-10G Chain Saw

ILLUSTRATED PARTS LIST



October 1966

The following pages contain item-numbered illustrations of the service parts for this saw. Facing each illustration are lists which give the description and the quantity of each service part.

Part numbers will be found on the appropriate parts list sheet covering the serial number block of the particular saw. Locate the figure and item in this book, of the part in which you are interested. Then turn to the appropriate parts list sheet and following the figure and item number will be found the correct part number of the service part.

When changes in this parts list occur, either in the illustrations, in part numbers or in quantities used, these differences will be explained or shown on a superseding parts list sheet.

	Page
Figure 1. Engine Exploded View - General	2
Figure 2. Clutch Guard & Starter Assembly	4
Figure 3. Fuel Tank Assembly	4
Figure 4. Carburetor Assembly	6
Figure 5. Transmission Assembly	8
Figure 6. Powerhead Assembly	10



McCULLOCH

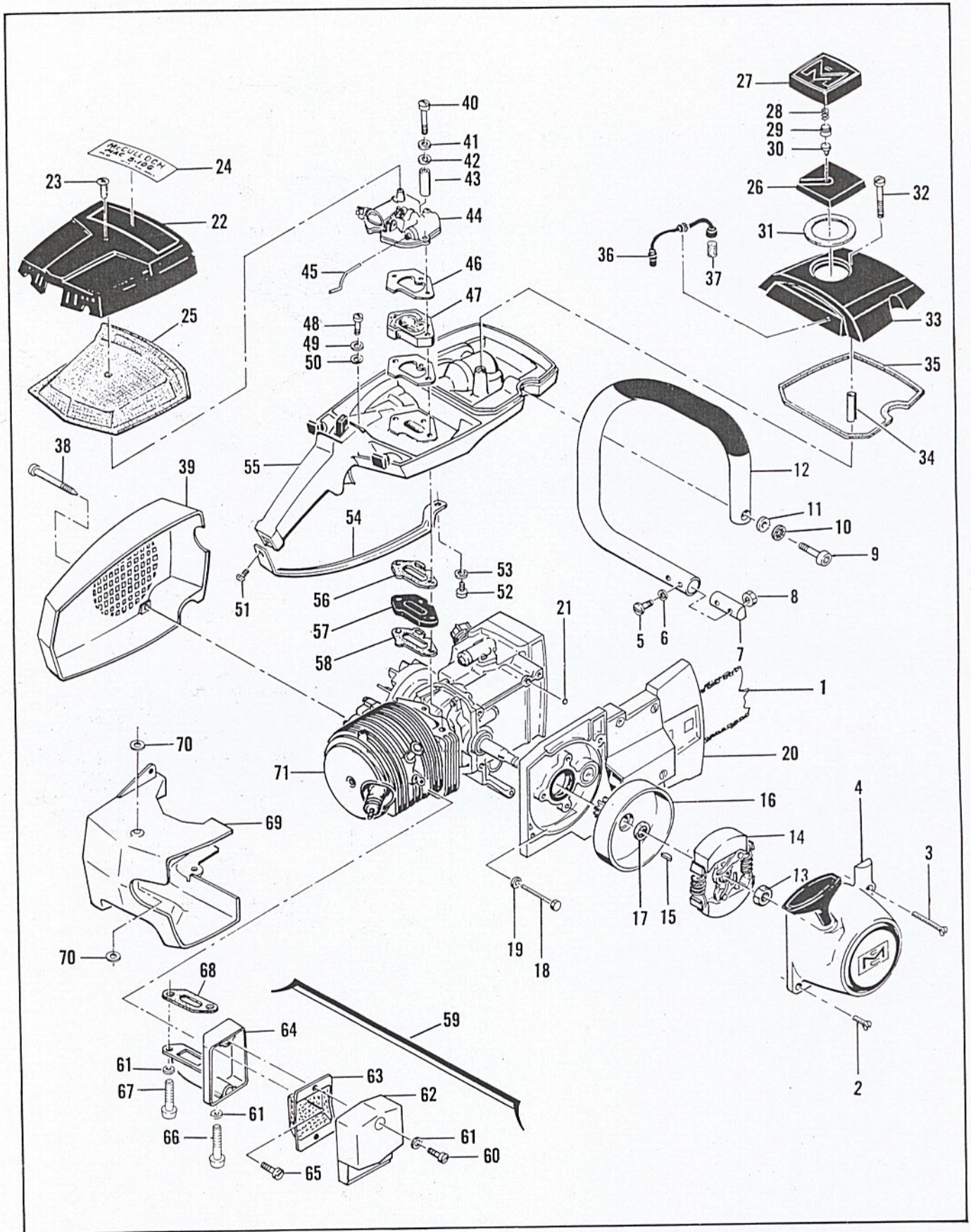


Figure 1. Engine Exploded View - General

FIGURE 1. ENGINE EXLODED VIEW — GENERAL

Item No.	Description	Units Per Assy
1	Bar & Chain Assy (See Figure 5)	1
2	Screw - Ov hd 8-32 x 5/8	1
3	Screw - Ov hd 10-24 x 1-1/2	1
4	Starter Assy (See Figure 2)	1
5	Screw - Hex hd 10-24 x 7/8	2
6	Washer - #10	2
7	Plug - Nut retainer	1
8	Nut - Hex 10-24	2
9	Screw - Skt hd 1/4-20 x 1-1/8	1
10	Lockwasher - 1/4	1
11	Washer - 1/4	1
12	Frame & Grip Assy	1
13	Nut - 3/8-24	1
14	Clutch Assy (See Figure 2)	1
15	Key - Woodruff	1
16	Drum, Gear & Seal Assy	1
17	. Seal	1
18	Screw - Hex hd 10-24 x 1-3/4	2
19	Washer - #10	2
20	Transmission Assy (See Figure 5)	1
21	"O" Ring	1
22	Cover Assy - Air cleaner	1
23	. Nut - Air cleaner cover	1
24	Nameplate	1
25	Screen - Air	1
26	Fuel Cap Assy	1
27	. Cover	1
28	. Spring	1
29	. Guide	1
30	. Valve	1
31	. Gasket	1
32	Screw - Ov hd 12-24 x 2-3/8	1
33	Cover - Fuel tank	1
34	Spacer - Fuel tank cover	1
35	Gasket - Cover	1
36	Hose Assy - Fuel	1

Item No.	Description	Units Per Assy
37	. Filter - Fuel	1
38	Screw - Special	3
39	Fan Housing	1
40	Screw - Hex hd 10-24 x 2-1/8	2
41	Washer - #10	2
42	Washer - Insulator	2
43	Sleeve - Insulator	2
44	Carburetor (See Figure 4)	1
45	Rod - Primer	1
46	Gasket - Carburetor	2
47	Insulator - Carburetor	1
48	Screw - Hex hd 10-24 x 1-1/8	1
49	Washer - #10	1
50	Washer - Insulating	1
51	Screw - Ov hd 10-24 x 3/8	1
52	Screw - Ov hd 10-24 x 5/8	1
53	Washer - #10	1
54	Brace - Handle	1
55	Fuel Tank Assy (See Figure 3)	1
56	Gasket - Fuel tank	1
57	Insulator - Fuel tank	1
58	Gasket - Fuel tank	2
59	Kit - Spark arrester	1
60	. Screw - Fil hd 10-24 x 1-1/8	2
61	. Washer - Special #10	4
62	. Cover Assy	1
63	. Baffle	1
64	. Body & Duct Assy	1
65	Screw - Hex hd 10-24 x 1/2	1
66	Screw - Skt hd 10-24 x 1-3/8	1
67	Screw - Skt hd 10-24 x 1/2	1
68	Gasket - Spark arrester	1
69	Shroud - Cylinder	1
70	Insulator - Shroud	2
71	Powerhead Assy (See Figure 6)	1

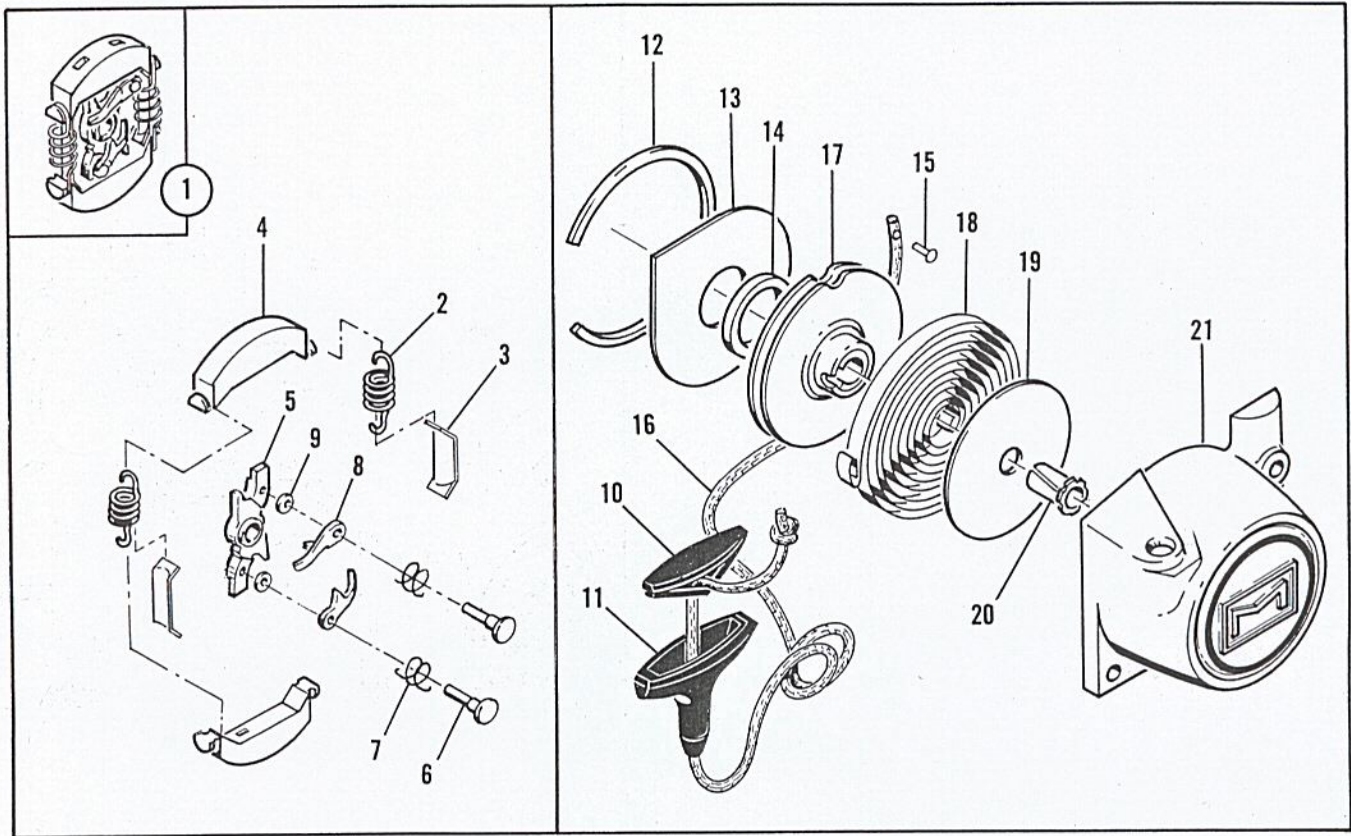


Figure 2. Clutch and Starter Assemblies

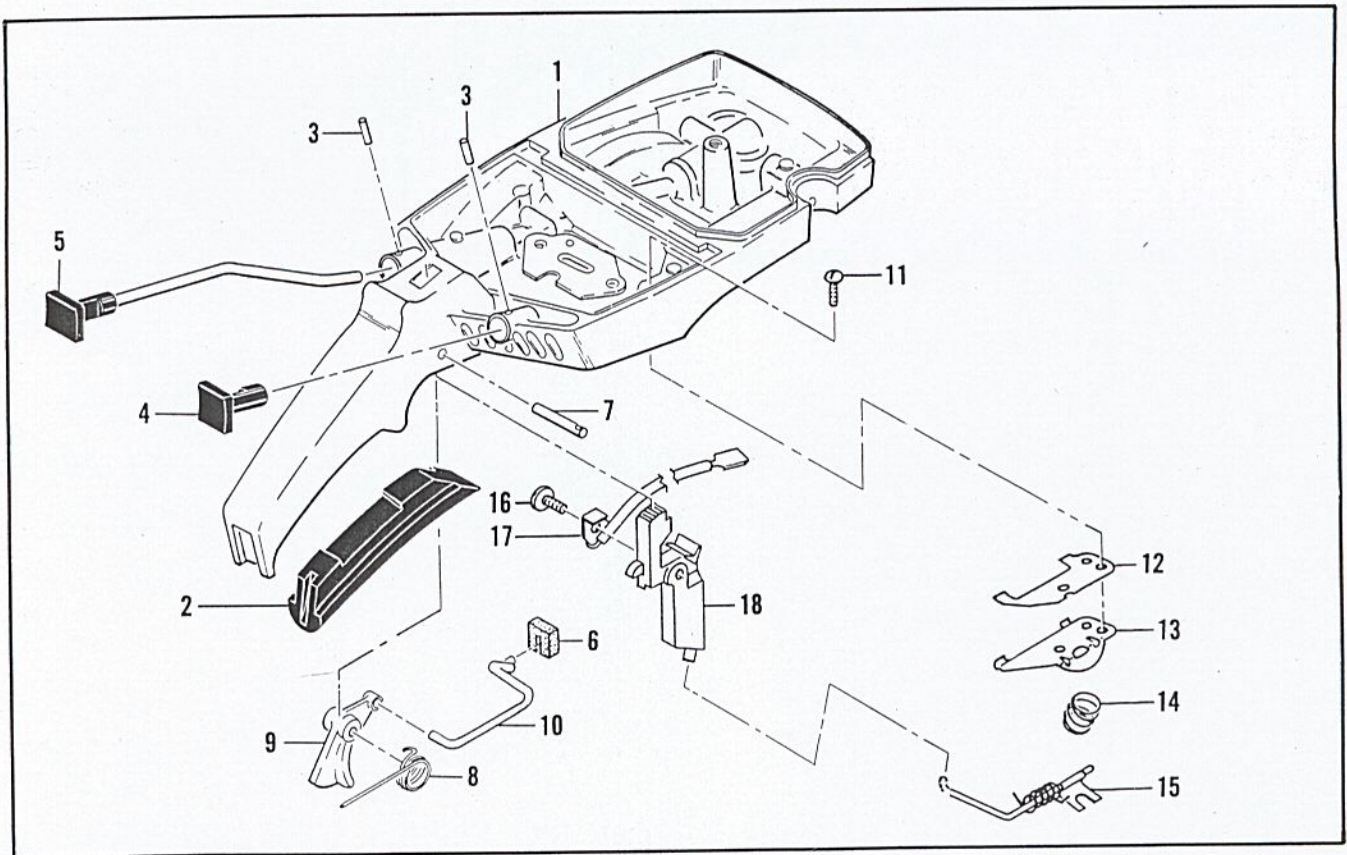


Figure 3. Fuel Tank Assembly

FIGURE 2. CLUTCH AND STARTER ASSEMBLY

Item No.	Description	Units Per Assy
1	Clutch Assy	1
2	. Spring - Clutch	2
3	. Retainer - Spring	2
4	. Shoe	2
5	. Rotor Assy - Clutch	1
6	. . Rivet	2
7	. . Spring - Pawl	2
8	. . Pawl	2
9	. . Washer - Plain	2
	Starter Assy	1
10	. Insert - Starter handle	1

Item No.	Description	Units Per Assy
11	. Handle - Starter	1
12	. Retainer - Shield	1
13	. Shield - Dust	1
14	. Washer - Thrust	1
15	. Rivet - Starter rope	1
16	. Rope - Starter	1
17	. Drum - Starter	1
18	. Spring - Rewind	1
19	. Shield - Spring	1
20	. Bushing - Nyliner	1
21	. Housing - Starter	1

FIGURE 3. FUEL TANK ASSEMBLY

Item No.	Description	Units Per Assy
1	Fuel Tank Assy	1
2	. Grip - Handle	1
3	. Pin - Roll 3/32 x 9/16	2
4	. Button - Primer	1
5	. Button - Oiler rod assy	1
6	. Seal - Throttle rod	1
7	. Pin - Roll 3/16 x 1-1/8	1
8	. Spring - Trigger	1
9	. Trigger - Throttle	1

Item No.	Description	Units Per Assy
10	Rod - Throttle	1
11	Screw - Pan hd 8-32 x 3/8 (SEMS)	2
12	Shield - Heat	1
13	Bracket - Compression release lever	1
14	Spring - Compression release valve	1
15	Lever Assy - Compression release	1
16	Screw - Pan hd 8-32 x 5/16	1
17	Wire Assy - Stop switch	1
18	Button Assy - Control	1

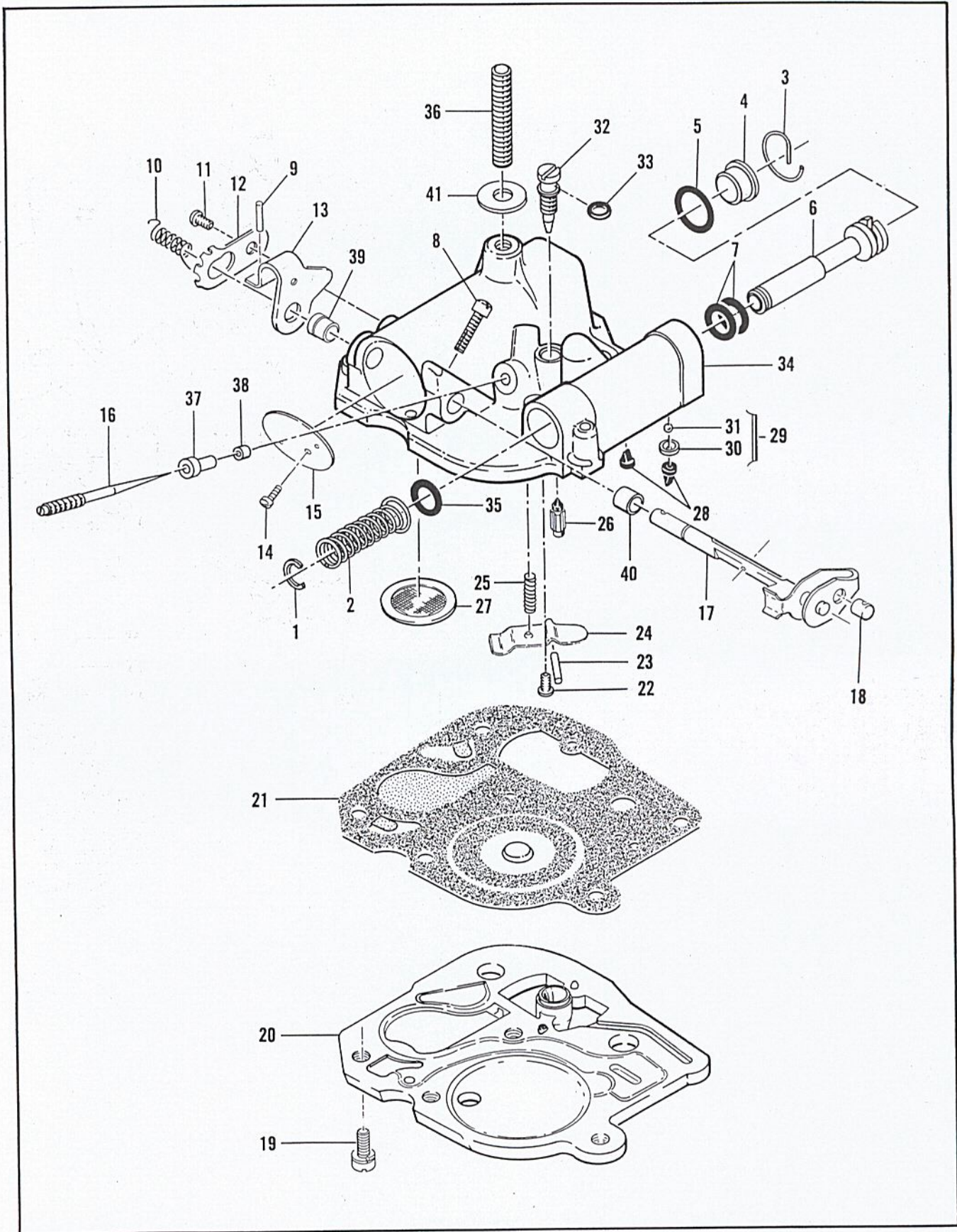


Figure 4. Carburetor Assembly

FIGURE 4. CARBURETOR ASSEMBLY

Item No.	Description	Units Per Assy
	Carburetor Assy	1
1	. Ring - Retaining	1
2	. Spring - Plunger	1
3	. Retainer - Plug	1
4	. Plug - Primer	1
5	. "O" Ring	1
6	. Plunger - Primer	1
7	. "O" Ring	2
8	. Screw - Adjustment	1
9	. Roll Pin - 0.062 x 1/2	1
10	. Spring - Idle governor	1
11	. Screw - Rd hd 6-32 x 1/4	1
12	. Clip - Throttle shaft	1
13	. Lever - Throttle	1
14	. Screw - Pan hd 4-40 x 1/4 (SEMS)	1
15	. Plate - Throttle	1
16	. Needle - Metering	1
17	. Shaft Assy - Throttle	1
18	. Swivel - Needle	1
19	. Screw - Pan hd 8-32 x 7/16 (SEMS)	4
20	. Plate - Carburetor base	1

Item No.	Description	Units Per Assy
21	. Diaphragm Assy - Pump	1
22	. Screw - 6-32 x 1/4	1
23	. Pin - Inlet lever	1
24	. Lever - Inlet	1
25	. Spring - Inlet lever	1
26	. Valve - Inlet needle	1
27	. Seal - Capillary	1
28	. Valve - Primer	2
29	. Set - Ball and seat	1
30	. . Seat	1
31	. . Ball	1
32	. Needle - Main fuel	1
33	. "O" Ring	1
34	. Body Assy - Carburetor	1
35	. . "O" Ring	1
36	. . Stud - Carburetor	1
37	. . Orifice - Air	1
38	. . Orifice - Fuel	1
39	. . Bushing - Throttle shaft	1
40	. . Bushing - Throttle shaft	1
41	Seal - Air cleaner stud	1

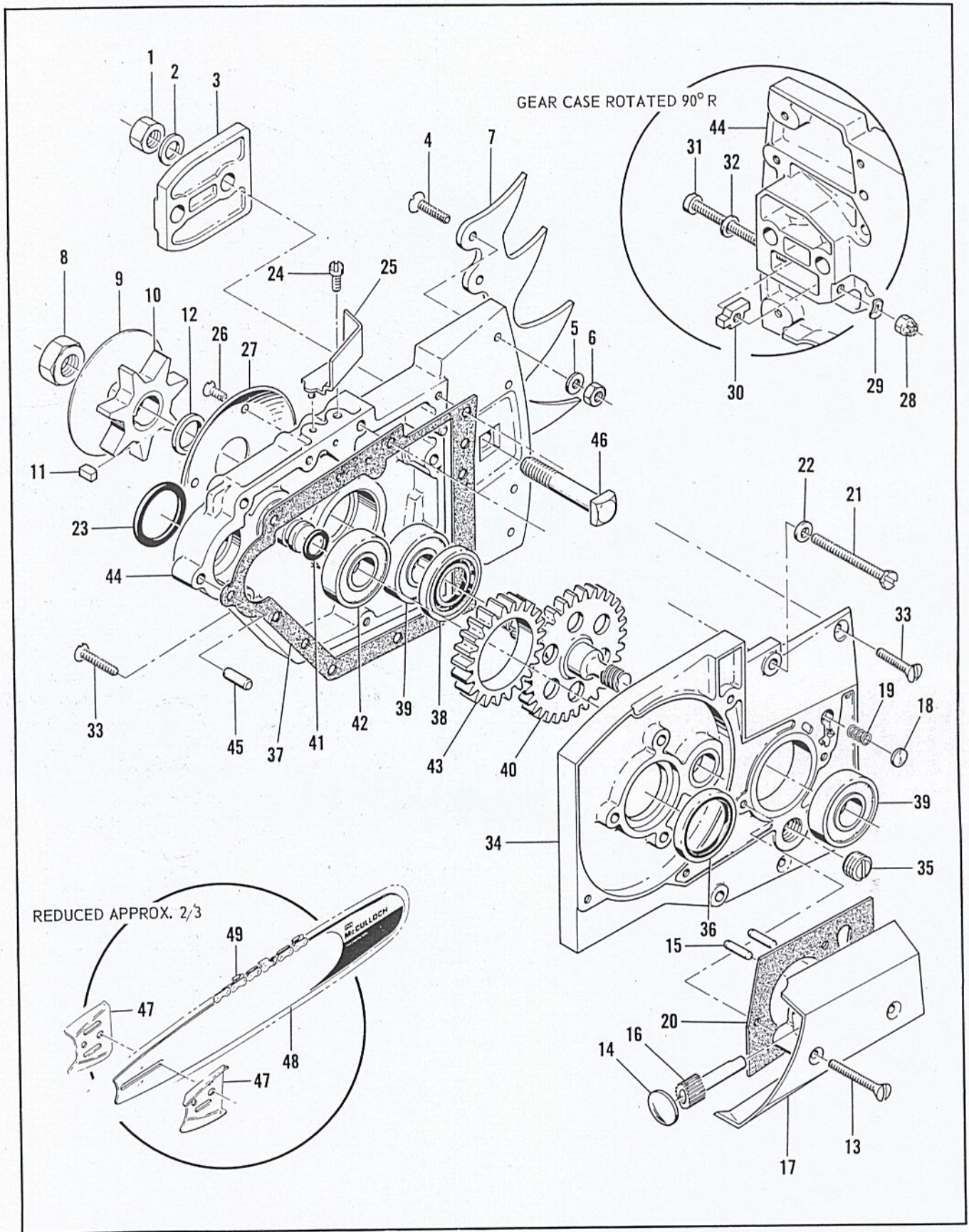


Figure 5. Transmission Assembly

FIGURE 5. TRANSMISSION ASSEMBLY

Item No.	Description	Units Per Assy
1	Nut - Hex 3/8-24	2
2	Washer - Plain 3/8	2
3	Plate - Bar clamp	1
	Kit - Spike	1
4	. Screw - Fl hd 10-24 x 3/4	4
5	. Washer - #10	1
6	. Nut - 10-24	1
7	. Spike	1
8	Nut - Hex 7/16-20	1
9	Plate - Sprocket	1
10	Sprocket	1
11	Key - Sprocket	1
12	Spacer - Sprocket	1
13	Screw - Ov hd 8-32 x 1-1/4	2
	Pump Assy - Oil	1
14	. Plug - Welch	1
15	. Pin - Plunger	2
16	. Plunger Assy	1
17	. Body - Oil pump	1
18	Valve - Oiler	1
19	Spring - Oiler valve	1
20	Gasket - Oil pump	1
21	Screw - Hex hd 10-24 x 1-3/4	2
22	Washer - #10	2
	Transmission Assy	1
23	. "O" Ring	1

Item No.	Description	Units Per Assy
24	. Screw - Fil 8-32 x 3/8	1
25	. Filler	1
26	. Screw - Fil hd 6-32 x 3/8	3
27	. Plate - Sprocket	1
28	. Nut - Lock #10	1
29	. Washer - Wave	1
30	. Nut - Bar adjustment	1
31	. Screw - Bar adjustment	1
32	. Washer - #10	1
33	. Screw - Ov hd 8-32 x 7/8	6
34	. Cover Assy - Gearcase	1
35	. . Plug - Filler	1
36	. . Seal - Pinion gear	1
37	. Gasket - Gearcase cover	1
38	. Seal - Gearcase	1
39	. Bearing - Sprocket shaft	2
40	. Gear - Sprocket	1
41	. "O" Ring	1
42	. Bearing - Idler	1
43	. Gear - Idler	1
44	. Gearcase Assy	1
45	. . Pin - Dowel	2
46	. . Bolt - Bar	2
47	Plate - Bar protector	2
48	Bar	
49	Chain	

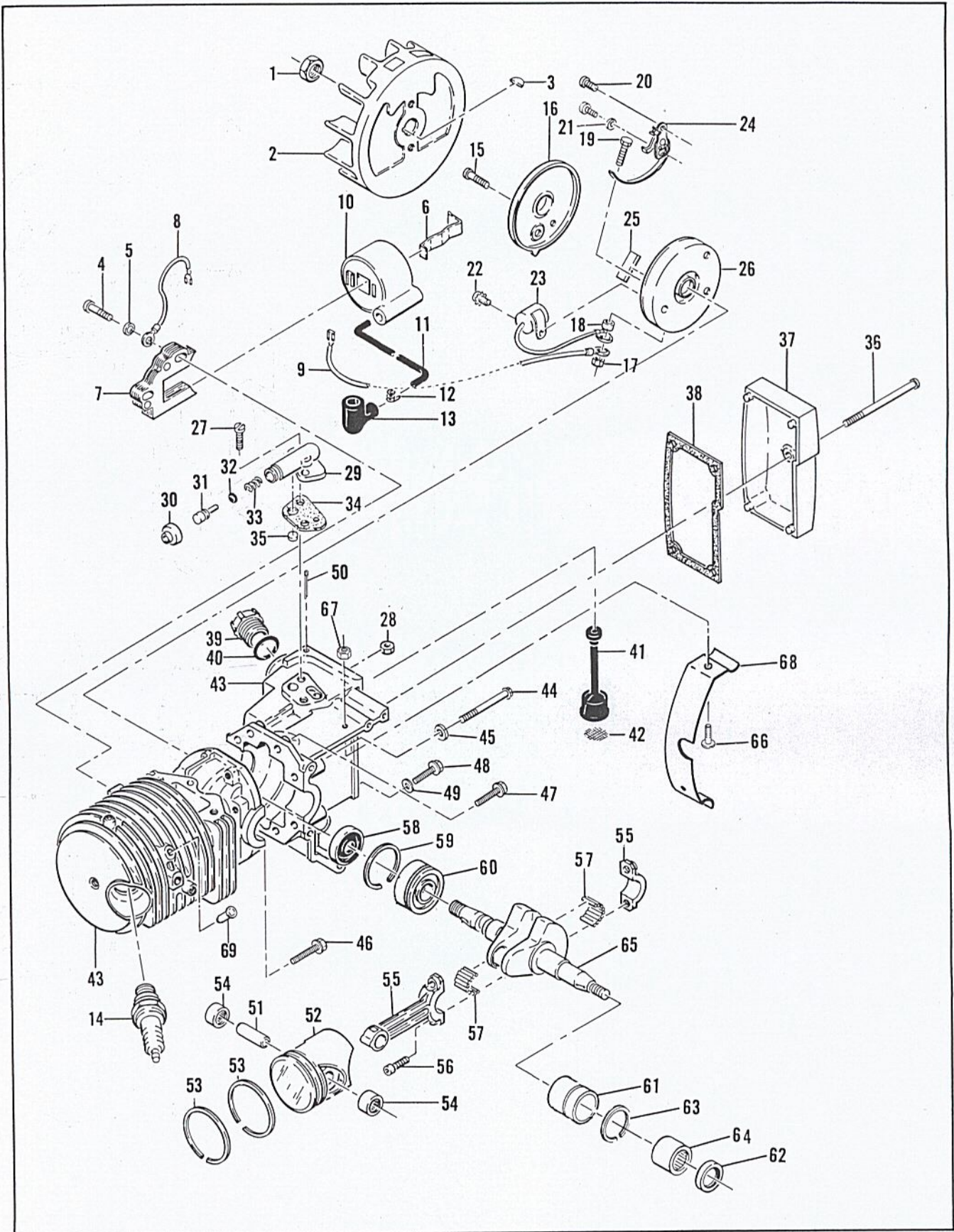


Figure 6. Powerhead Assembly

FIGURE 6. POWERHEAD ASSEMBLY

Item No.	Description	Units Per Assy
1	Nut - Hex 3/8-24	1
2	Flywheel Assy	1
3	Key - Flywheel	1
4	Screw - Fil hd 10-24 x 7/8 (SEMS)	2
5	Washer - #10	2
6	Retainer - Coil	1
7	Lamination Assy	1
8	Wire Assy - Ground	1
9	Wire Assy - Primary	1
10	Coil & Terminal Assy	1
11	. Wire Assy - Spark plug	1
12	. . Connector	1
13	. . Boot	1
14	Spark Plug (Packaged)	1
15	Screw - Rd hd 8-32 x 3/4	1
16	Cover - Breaker box	1
17	Nut - Hex 6-32	1
18	Spacer - Breaker screw	1
19	Screw - Hex hd 6-32 x 3/4	1
20	Screw - Rd hd 8-32 x 3/8	2
21	Washer - #8	1
22	Screw - Rd hd 8-32 x 3/8 (SEMS)	1
23	Condenser	1
24	Breaker Assy	1
25	Wiper - Cam	1
26	Box - Breaker	1
27	Screw - 8-32 x 1/2	2
28	Nut - Hex 8-32	1
29	Pump Assy - Oil	1
30	. Cap - Oil pump	1
31	. Plunger - Oil pump	1
32	. "O" Ring	1
33	. Spring - Oil pump	1
34	Gasket - Oil pump	1
35	Valve - Oil pump	1

Item No.	Description	Units Per Assy
36	Screw - Pan hd 10-24 x 3-1/2	1
37	Cover - Oil tank	1
38	Gasket - Oil tank cover	1
39	Cap - Oil	1
40	"O" Ring	1
41	Hose Assy - Oil	1
42	. Screen - Oil hose	1
43	Cylinder - Crankcase Assy	1
44	. Screw Assy - Sealing	4
45	. . Washer - Sealing	4
46	. Screw Assy - 8-32 x 7/8	1
47	. Screw Assy - 8-32 x 3/4	2
48	. Screw Assy - Sealing 8-32 x 3/4	1
49	. . Washer - Sealing	1
50	. Cotter Pin - 3/32 x 1/2	1
51	Pin - Piston	1
52	Piston Assy	1
53	. Ring Set - Piston	1
54	. Bearing - Needle	2
55	Connecting Rod Assy	1
56	. Screw - Socket hd 8-36 x 1/2	2
57	. Roller - Needle (Set of 20)	1
58	Oil Seal	1
59	Ring - Snap	1
60	Bearing - Ball	1
61	Insert & Bearing Assy	1
62	. Oil Seal	1
63	. Ring - Snap	1
64	. Bearing - Needle	1
65	Crankshaft	1
66	Screw - Rd hd 10-24 x 5/16	1
67	Nut - Hex 10-24	1
68	Guard - Crankcase	1
69	Valve Assy - Compression release	1

TOOLS AND ACCESSORIES

Item No.	Description
1	Owner's Manual
2	Wrench - Screwdriver combination
3	Piston Assy - 0.020 in. oversize
4	. Ring Set - Piston 0.020 in. oversize
5	. Bearing - Needle (2)
6	Piston Assy - 0.030 in. oversize
7	. Ring Set - Piston 0.030 in. oversize.

Item No.	Description
8	. Bearing - Needle (2)
9	Kit - Wrap-around frame
10	Screen - Spark arrester
11	Spark Plug - AC CS42T
12	Spark Plug - AC CS41T
13	Tool - Fuel orifice



McCULLOCH



● MANUFACTURING ● SALES ● SERVICE ●

McCULLOCH CORPORATION

6101 WEST CENTURY BLVD., LOS ANGELES, CALIFORNIA 90045

McCULLOCH OF CANADA, LTD.

77 BELFIELD ROAD, REXDALE, ONTARIO, CANADA

McCULLOCH INTERNATIONAL, INC.

POSTBUS 10, MALINES, BELGIUM
G.P.O. BOX 879, HONG KONG, B.C.C.

McCULLOCH OF AUSTRALIA PTY., LTD.

P.O. BOX 165, SOUTH GRANVILLE, N.S.W., AUSTRALIA

McCULLOCH INTERNATIONAL (U.S.), INC.

P.O. BOX 45466 LOS ANGELES, CALIFORNIA, U.S.A.

Figure and Item numbers are referenced to the MAC 5-10G Illustrated Parts List, P/N 65678 unless otherwise indicated on this parts list sheet. Numbers in black circles refer to notes at the bottom of the page. Numbers in parenthesis following the part number indicate a quantity change from the illustrated parts list.

MAC 5-10G

Serial Numbers Without Prefix Numbers

FIG & ITEM	PART NUMBER	FIG & ITEM	PART NUMBER	FIG & ITEM	PART NUMBER	FIG & ITEM	PART NUMBER
1-1	Fig. reference	1-61	110264	4-3	65677	5-18	62909
1-2	110403	1-62	62380	4-4	65617	5-19	63692
1-3	104139	1-63	62379B	4-5	105617	5-20	63474
1-4	Fig. reference	1-64	64601	4-6	65602	5-21	102765
1-5	102761	1-65	110341	4-7	59796	5-22	100003
1-6	100352	1-66	104534	4-8	110483	5-	64769
1-7	61678	1-67	104849	4-9	101500	5-23	104360
1-8	101326	1-68	63748	4-10	62939A	5-24	110055
1-9	105187	1-69	65676	4-11	101207	5-25	63491
1-10	105043	1-70	63993	4-12	62938	5-26	110417
1-11	100004	1-71	Fig. reference	4-13	62343A	5-27	63416
1-12	65406			4-14	104814	5-28	102067
1-13	103746			4-15	62290A	5-29	110387
1-14	Fig. reference	2-1	65471	4-16	65431	5-30	63824A
1-15	103879	2-2	63999	4-17	62291A	5-31	102144
1-16	66032	2-3	64583	4-18	62975	5-32	101174
1-17	65748	2-4	62198B	4-19	110397	5-33	110405
1-18	102765	2-5	65475	4-20	65605	5-34	64779
1-19	100003	2-6	65472	4-21	65608	5-35	101775
1-20	Fig. reference	2-7	62328	4-22	110363	5-36	63477
1-21	103195	2-8	64857	4-23	110337	5-37	63433
1-22	65750	2-9	65473	4-24	62310	5-38	63478
1-23	65720	2-	63494	4-25	62923A	5-39	110348
1-24	64749	2-10	62191A	4-26	63038	5-40	64775
1-25	65740	2-11	62190A	4-27	55690B	5-41	110452
1-26	61721D	2-12	62371	4-28	63041	5-42	110348
1-27	64762	2-13	63985	4-29	65868	5-43	64774
1-28	63040	2-14	63986	4-30	65824	5-44	64770
1-29	62316	2-15	110470	4-31	61151	5-45	101770
1-30	63041	2-16	59952A	4-32	65445	5-46	64584
1-31	61722C	2-17	65526	4-33	104001	5-47	64935
1-32	110402	2-18	36059	4-34	65435	5-48	Bar
1-33	63288	2-19	63987	4-35	59796	5-49	Chain
1-34	63270	2-20	61635A	4-36	65724		
1-35	62102	2-21	63412	4-37	65476		
1-36	64848			4-38	63813	6-1	101391
1-37	63932			4-39	62288A	6-2	61737A
1-38	62978	3-1	65870	4-40	62368	6-3	103879
1-39	63073	3-2	64872	4-41	62435	6-4	101965
1-40	103356	3-3	105673			6-5	100003
1-41	64856	3-4	63045			6-6	51253
1-42	63325	3-5	64871	5-1	103729	6-7	62741
1-43	65726	3-6	61696	5-2	100006	6-8	62819
1-44	Fig. reference	3-7	110378	5-3	63417	6-9	62818A
1-45	65758	3-8	65734	5-	63994	6-10	63888
1-46	65739	3-9	65864	5-4	110245	6-11	63886
1-47	65738	3-10	66156	5-5	101174	6-12	62932
1-48	110423	3-11	105249	5-6	101191	6-13	62926
1-49	64856	3-12	64621	5-7	63833	6-14	63432
1-50	63325	3-13	64721	5-8	60972	6-15	110349
1-51	110353	3-14	64650	5-9	63997A	6-16	62362
1-52	102388	3-15	65949	5-10	36644A	6-17	100298
1-53	100352	3-16	110469	5-11	63808	6-18	62365
1-54	63070	3-17	65873	5-12	64754	6-19	110346
1-55	Fig. reference	3-18	65860	5-13	110406	6-20	100934
1-56	64852			5-	63479	6-21	105976
1-57	63258A			5-14	105559	6-22	105249
1-58	63303A	4-	65434	5-15	110392	6-23	61650
1-59	64846	4-1	101289	5-16	63428	6-24	62363
1-60	101284	4-2	65859	5-17	63425		

Continued

FIG & ITEM	PART NUMBER	FIG & ITEM	PART NUMBER	FIG & ITEM	PART NUMBER	FIG & ITEM	PART NUMBER
6-25	54184	6-40	101148	6-55	65401A	ACCESSORY ITEMS	
6-26	62361	6-41	62123B	6-56	61627A	1	66285
6-27	100414	6-42	51506	6-57	63225	2	51445A
6-28	100955	6-43	66213	6-58	61618	3	63233
6-29	62319A	6-44	62105	6-59	63464	4	63291
6-30	62262	6-45	62842	6-60	63429B	5	103085
6-31	62266	6-46	110404	6-61	63492	6	63234
6-32	101056	6-47	110288	6-62	110260	7	63292
6-33	59934	6-48	63607	6-63	63699	8	103085
6-34	62230	6-49	63606	6-64	104357	9	64586
6-35	62909	6-50	100010	6-65	63401A	10	65325
6-36	110407	6-51	65389	6-66	105221	11	63432
6-37	63974	6-52	63287	6-67	101191	12	65778
6-38	63442	6-53	63290	6-68	65363	13	63490
6-39	57129A	6-54	103085	6-69	65910		



McCULLOCH CORPORATION
6101 WEST CENTURY BLVD., LOS ANGELES, CALIFORNIA 90045

64675

Parts List Sheet Number 66114 - page 2

McCULLOCH OF CANADA, LTD.
77 BELFIELD ROAD, REXDALE, ONTARIO, CANADA

McCULLOCH INTERNATIONAL, INC.
POSTBUS 10, MALINES, BELGIUM
G.P.O. BOX 879, HONG KONG, B.C.C.

McCULLOCH OF AUSTRALIA PTY., LTD.
P.O. BOX 165, SOUTH GRANVILLE, N.S.W., AUSTRALIA

McCULLOCH INTERNATIONAL (U.S.), INC.
P.O. BOX 45466 LOS ANGELES, CALIFORNIA, U.S.A.

MAC 5-10G

Serial Numbers Prefixed 1-

Figure and Item numbers are referenced to the Illustrated Parts List, P/N 65678 unless otherwise indicated on this parts list sheet. Numbers in black circles refer to notes at the bottom of the page. Numbers in parenthesis following the part number indicate a quantity change from the illustrated parts list.

FIG. & ITEM	PART NUMBER	NOMENCLATURE	FIG. &	PART NUMBER	NOMENCLATURE	FIG. & ITEM	PART NUMBER	NOMENCLATURE	
1-	Fig. reference		1-47	66232	Insulator				
1-2	110403	Screw	1-48	102290	Screw				
1-3	110448 ①	Screw	1-49	63475 ⑥	Lockplate				
1-A	103174 ②	Lockwasher	1-50	63325	Washer				
1-B	100003 ③	Washer	1-51	110353	Screw				
1-C	64563 ④	Bracket	1-52	102388	Screw				
1-4	Fig. reference		1-53	100352	Washer				
1-5	102761	Screw	1-54	63070	Brace				
1-6	100352	Washer	1-55	Fig. reference					
1-7	61678	Plug	1-56	64852	Gasket				
1-8	101326	Nut	1-57	63258A	Insulator				
1-9	102130	Screw	1-58	65741	Gasket				
1-10	100153	Lockwasher	1-59	64846	Kit - Sp. Arr.				
1-11	63484	Clamp	1-60	101284	Screw				
1-12	66341	Frame	1-61	110264	Washer				
1-D	62271 ⑤	Plug	1-62	62380	Cover				
1-13	103746	Nut	1-63	62379B	Baffle				
1-14	Fig. reference		1-64	64601	Body				
1-15	103879	Key	1-65	110341	Screw				
1-16	66032	Drum & Gear	1-66	104534	Screw				
1-17	65748	Seal	1-67	104849	Screw				
1-18	102765	Screw	1-68	63748	Gasket				
1-19	100003	Washer	1-69	65676	Shroud				
1-20	Fig. reference		1-70	63993	Insulator				
1-21	106104	"O" Ring	1-71	Fig. reference					
1-22	65750	Cover							
1-23	65720	Nut	2-1	65471	Clutch				
1-24	64749	Nameplate	2-2	63999	Spring				
1-25	65740	Screen	2-3	64583	Retainer				
1-26	61721D	Cap Assy	2-4	62198B	Shoe				
1-27	64762	Cover	2-5	65475	Rotor				
1-28	63040	Spring	2-6	65472	Rivet				
1-29	62316	Guide	2-7	62328	Spring				
1-30	63041	Valve	2-8	64857	Pawl				
1-31	65671	Gasket	2-9	65473	Washer				
1-32	110402	Screw	2-	65880	Starter				
1-33	63288	Cover	2-10	62191A	Insert				
1-34	63270	Spacer	2-11	62190A	Handle				
1-35	62102	Gasket	2-12	62371	Retainer				
1-36	64848	Hose	2-13	63985	Shield				
1-37	63932	Filter	2-14	63986	Washer				
1-38	62978	Screw	2-15	110470	Rivet				
1-39	63073	Housing	2-16	59952A	Rope				
1-40	103356	Screw	2-17	65526	Drum				
1-41	64856	Washer	2-18	36059	Spring				
1-42	63325	Washer	2-19	63987	Shield				
1-43	65726	Sleeve	2-20	61635A	Bushing				
1-44	Fig. reference		2-21	65879	Housing				
1-45	65758	Rod							
1-46	65739	Gasket							

Changes in Figure 1.

3-1	66649 ⑦	Tank Assy
3-A	105788	Rivet
3-2	64872	Grip
3-3	105673	Pin
3-4	66194	Button
3-5	64871	Button & Rod
3-6	61696	Seal
3-7	110378	Pin
3-8	65734	Spring
3-9	65864	Trigger
3-10	66156	Rod
3-11	105249	Screw
3-12	64621	Shield
3-13	64721	Bracket
3-14	64650	Spring
3-15	66306	Lever
3-16	110469	Screw
3-17	65873	Washer
3-18	65860	Button
4-	66511	Carburetor
4-1	101289	Ring
4-2	65859	Spring
4-3	65677	Retainer
4-4	65617	Plug
4-5	105617	"O" Ring
4-6	66552	Plunger
4-7	66551	"O" Ring
4-8	110483	Screw

Continued

NOTES

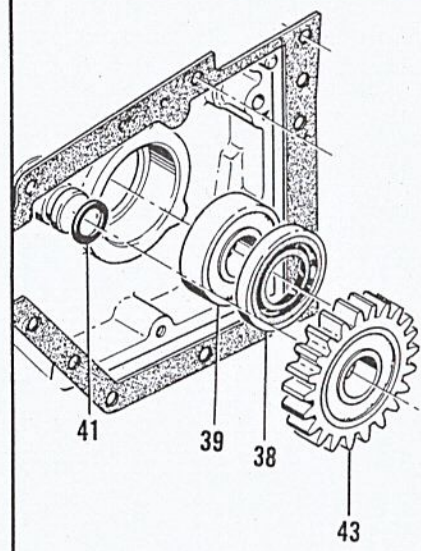
Notes 1, 2, 3, 4, 5 - See changes in Figure 1 on this page.

- ① Screw - Skt hd 10-24 x 3-1/4
- ② Lockwasher - #10
- ③ Washer - #10
- ④ Bracket - Frame
- ⑤ Plug - Frame

⑥ Lockplate replaces Washer, P/N 64856

⑦ Tank Assy includes two Rivets, P/N 105788, which must be removed for installation of compression release bracket screws. Item No. 2 to 9 inclusive, are not included in this tank assembly.

FIG. & ITEM	PART NUMBER	NOMENCLATURE	FIG. & ITEM	PART NUMBER	NOMENCLATURE	FIG. & ITEM	PART NUMBER	NOMENCLATURE
4-9	101500	Pin	5-16	63428	Plunger			
4-10	62939A	Spring	5-17	65881	Body			
4-11	101207	Screw	5-18	62909	Valve			
4-12	62938	Clip	5-19	63692	Spring			
4-13	62343A	Lever	5-20	63474	Gasket			
4-14	104814	Screw	5-21	102765	Screw			
4-15	62290A	Plate	5-22	100003	Washer			
4-16	65431	Needle	5-	66208	Trans. Assy			
4-17	62291A	Shaft	5-23	104360	"O" Ring			
4-18	62975	Swivel	5-24	110055	Screw			
4-19	110397	Screw	5-25	63491	Filler			
4-20	66507	Plate	5-26	110417	Screw			
4-21	65608	Diaphragm	5-27	63416	Plate			
4-22	104728	Screw	5-28	102067	Nut			
4-23	110337	Pin	5-29	110387	Washer			
4-24	62310	Lever	5-30	63824A	Nut			
4-25	62923A	Spring	5-31	102144	Screw			
4-26	63038	Valve	5-32	101174	Washer			
4-27	55690B	Seal	5-33	110405	Screw			
4-28	63041 (1)	Valve	5-34	64779	Cover			
4-29	65868	Set	5-35	101775	Plug			
4-30	66153	Seat	5-36	63477	Seal			
4-31	61151	Ball	5-37	63433	Gasket			
4-32	65445	Needle	5-38	63478	Seal			
4-33	104001	"O" Ring	5-39	110348	Bearing			
4-34	66512	Body	5-40	64775	Gear			
4-35	59796	"O" Ring	5-41	110452	"O" Ring			
4-36	65724	Stud	5-42		Bearing			
4-37	66158	Orifice	5-43	66616	Gear Assy			
4-38	63813	Orifice	5-44	64770	Gearcase			
4-39	62288A	Bushing	5-45	101770	Pin			
4-40	62368	Bushing	5-46	64584	Bolt			
4-41	62435	Seal	5-47	64935	Plate			
			5-48		Bar			
			5-49		Chain			
5-1	103729	Nut	6-1	101391	Nut			
5-2	100006	Washer	6-2	61737A	Flywheel Assy			
5-3	63417	Plate	6-3	103879	Key			
5-	63994	Spike Kit	6-4	101965	Screw			
5-4	110245	Screw	6-5	100003	Washer			
5-5	101174	Washer	6-6	51253	Retainer			
5-6	101191	Nut	6-7	62741	Lamination			
5-7		Ⓢ Spike	6-8	62819	Wire			
5-8	60972	Nut	6-9	62818A	Wire			
5-9	63997A	Plate	6-10	63888	Coil			
5-10	36644A	Sprocket	6-11	63886	Wire			
5-11	63808	Key	6-12	62932	Connector			
5-12	64754	Spacer	6-13	62926	Boot			
5-13	110406	Screw	6-14	63432	Spark Plug			
5-	65882	Pump Assy	6-15	110349	Screw			
5-14	105559	Plug						
5-15	110392	Pin						



Changes in Figure 5.

6-16	62362	Cover
6-17	100298	Nut
6-18	62365	Spacer
6-19	110346	Screw
6-20	100934	Screw
6-21	105976	Washer
6-22	105249	Screw
6-23	61650	Condenser
6-24	62363	Breaker
6-25	54184	Wiper
6-26	62361	Box
6-27	100414	Screw
6-28	100955	Nut
6-29	62261A	⓫ Housing
6-30	62262	Cap
6-31	62266	Plunger
6-32	101056	"O" Ring
6-33	59934	Spring
6-34	62230	Gasket
6-35	62909	Valve
6-36	110407	Screw
6-37	63974	Cover
6-38	63442	Gasket
6-39	57129A	Cap
6-40	101148	"O" Ring
6-41	62123B	Hose
6-42	51506	Screen

Continued

NOTES

Ⓢ Spike not available. Order Spike Kit, P/N 63994.

Ⓣ Bearing not available. Order Idler Gear Assy, P/N 66616.

⓫ Gear Assy includes bearing. See changes in Figure 5 on this page.

⓬ Pump housing only. Not furnished as a complete pump assembly.

FIG. & ITEM	PART NUMBER	NOMENCLATURE	FIG. & ITEM	PART NUMBER	NOMENCLATURE	FIG. & ITEM	PART NUMBER	NOMENCLATURE
						<i>ACCESSORY ITEMS</i>		
6-43	66560 12	Crankcase	6-57	63225	Needle Set	1	66285	Manual
6-44	62105	Screw	6-58	65746	Oil Seal	2	51445A	Wrench
6-45	62842	Washer	6-59	63464	Ring	3	63233	Piston Assy
6-46	110404	Screw	6-60	63429B	Bearing	4	63291	Ring Set
6-47	110288	Screw	6-61	66030	Insert Assy	5	103085	Bearing
6-48	63607	Screw	6-62	65747	Oil Seal	6	63234	Piston Assy
6-49	63606	Washer	6-63	63699	Ring	7	63292	Ring Set
6-50	100010	Cotter	6-64	104357	Bearing	8	103085	Bearing
6-51	65389	Pin	6-65	63401A	Crankshaft	9	14	
6-52	63287	Piston	6-66	105221	Screw	10	65325	Screen
6-53	63290	Ring Set	6-67	101191	Nut	11	63432	Spark Plug
6-54	103085	Bearing	6-68	65363	Guard	12	65778	Spark Plug
6-55	65401	Conn Rod	6-69	64714 13	Valve	13	63490	Tool
6-56	61627A	Screw				14	65712 15	Timing Guide

NOTES

12 Crankcase Assy includes Compression Release Valve, P/N 64714.

13 Valve included in Crankcase Assy, P/N 66560.

14 Wrap-around frame is standard equipment. See Figure 1, page 1 of this list.

15 Timing Guide added to Accessory list.



McCULLOCH CORPORATION
6101 WEST CENTURY BLVD., LOS ANGELES, CALIFORNIA 90045

McCULLOCH OF CANADA, LTD.
77 BELFIELD ROAD, REXDALE, ONTARIO, CANADA

McCULLOCH INTERNATIONAL, INC.
POSTBUS 10, MALINES, BELGIUM
G. P. O. BOX 879, HONG KONG, B. C. C.

McCULLOCH OF AUSTRALIA PTY., LTD.
P. O. BOX 165, SOUTH GRANVILLE, N. S. W., AUSTRALIA

McCULLOCH INTERNATIONAL (U.S.), INC.
P. O. BOX 45466 LOS ANGELES, CALIFORNIA, U. S. A.

66540