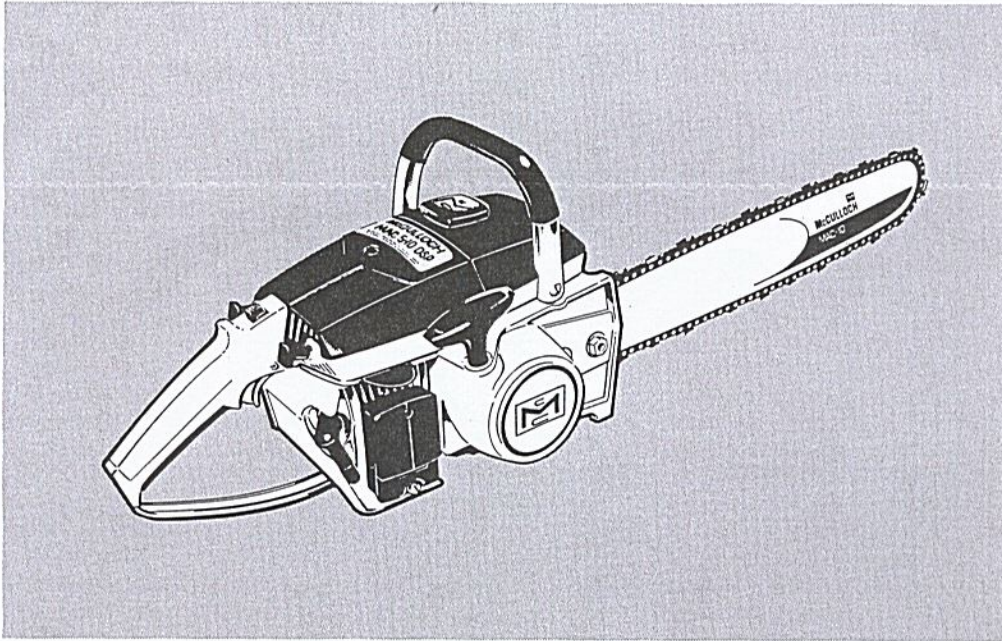


MAC 5-10 Chain Saw

ILLUSTRATED PARTS LIST



September 1966

The following pages contain item-numbered illustrations of the service parts for this saw. Facing each illustration are lists which give the description and the quantity of each service part.

Part numbers will be found on the appropriate parts list sheet covering the serial number block of the particular saw. Locate the figure and item in this book, of the part in which you are interested. Then turn to the appropriate parts list sheet and following the figure and item number will be found the correct part number of the service part.

When changes in this parts list occur, either in the illustrations, in part numbers or in quantities used, these differences will be explained or shown on a superseding parts list sheet.

	Page
Figure 1. Engine Exploded View - General	2
Figure 2. Clutch Guard & Starter Assembly	4
Figure 3. Fuel Tank Assembly	4
Figure 4. Carburetor Assembly	6
Figure 5. Powerhead Assembly	8
Figure 6. Bar and Chain Assembly	10



McCULLOCH

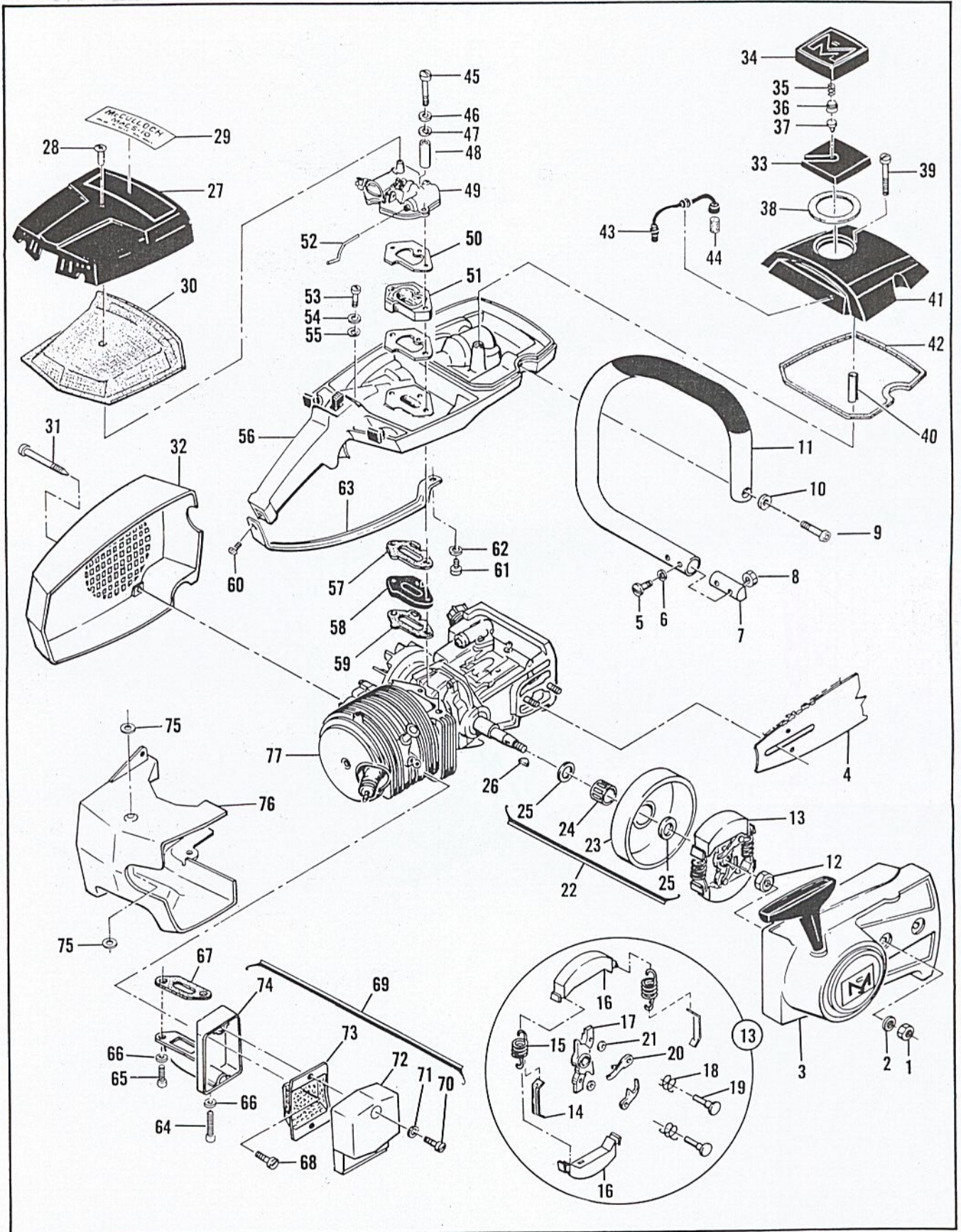


Figure 1. Engine Exploded View - General

FIGURE 1. ENGINE EXLODED VIEW — GENERAL

Item No.	Description	Units Per Assy
1	Nut - Hex 5/16-24	2
2	Washer - 5/16 plain	2
3	Clutch Guard and Starter Assembly (See Figure 2)	1
4	Bar and Chain Assembly (See Figure 6)	1
5	Screw - Hex hd 10-24 x 7/8	2
6	Washer - #10	2
7	Plug - Nut retainer	1
8	Nut - Hex 10-24	2
9	Screw - Skt hd 1/4-20 x 1-1/8	1
10	Washer - 1/4 plain	1
11	Frame and Grip Assembly	1
12	Nut - Flexloc 3/8-24	1
13	Clutch Assembly	1
14	. Retainer - Clutch spring	2
15	. Spring - Clutch	2
16	. Shoe - Clutch	2
17	. Rotor Assembly - Clutch	1
18	. . Spring - Pawl	2
19	. . Rivet - Pawl	2
20	. . Pawl - Starter	2
21	. . Washer - Special	2
22	Kit - Sprocket, Drum and Bearing	1
23	. Sprocket and Drum Assembly (7-tooth sprocket)	1
24	. Bearing - Sprocket drum	1
25	. Shim - Sprocket	2
26	Key - Woodruff	1
27	Cover Assembly - Air cleaner	1
28	. Nut - Air cleaner cover	1
29	Nameplate - MAC 5-10	1
30	Screen - Air cleaner	1
31	Screw - Special	3
32	Fan Housing	1
33	Cap Assembly - Fuel	1
34	. Cover - Fuel cap	1
35	. Spring	1
36	. Guide - Spring	1
37	. Valve	1
38	. Gasket	1

Item No.	Description	Units Per Assy
39	Screw - Oval hd 12-24 x 1-3/4	1
40	Spacer	1
41	Cover - Fuel tank	1
42	Gasket - Fuel tank cover	1
43	Hose Assembly - Fuel	1
44	. Filter - Fuel	1
45	Screw - Hex hd 10-24 x 2-1/8	2
46	Washer - #10 plain	2
47	Washer - Insulator	2
48	Sleeve - Insulator	2
49	Carburetor Assembly (See Figure 4)	1
50	Gasket - Carburetor	2
51	Insulator - Carburetor	1
52	Rod - Primer	1
53	Screw - Hex hd 10-24 x 1-1/8	1
54	Washer - #10 plain	1
55	Washer - Insulator	1
56	Fuel Tank Assembly (See Figure 3)	1
57	Gasket - Fuel tank	1
58	Insulator	1
59	Gasket - Fuel tank	1
60	Screw - Oval hd 10-24 x 3/8	1
61	Screw - Hex hd 10-24 x 3/4	1
62	Washer - #10 plain	1
63	Brace - Handle	1
64	Screw - Skt hd 10-24 x 1-3/8	1
65	Screw - Skt hd 10-24 x 1/2	1
66	Washer - #10 plain	2
67	Gasket - Spark arrester	1
68	Screw - Hex hd 10-24 x 1/2	1
69	Spark Arrester Assembly	1
70	. Screw - Fil hd 10-24 x 1-1/8	2
71	. Washer - #10 plain	4
72	. Cover Assembly - Spark arrester	1
73	. Baffle - Spark arrester	1
74	. Body and Duct Assembly - Spark arrester	1
75	Insulator - Shroud	2
76	Shroud - Cylinder	1
77	Powerhead Assembly (See Figure 5)	1

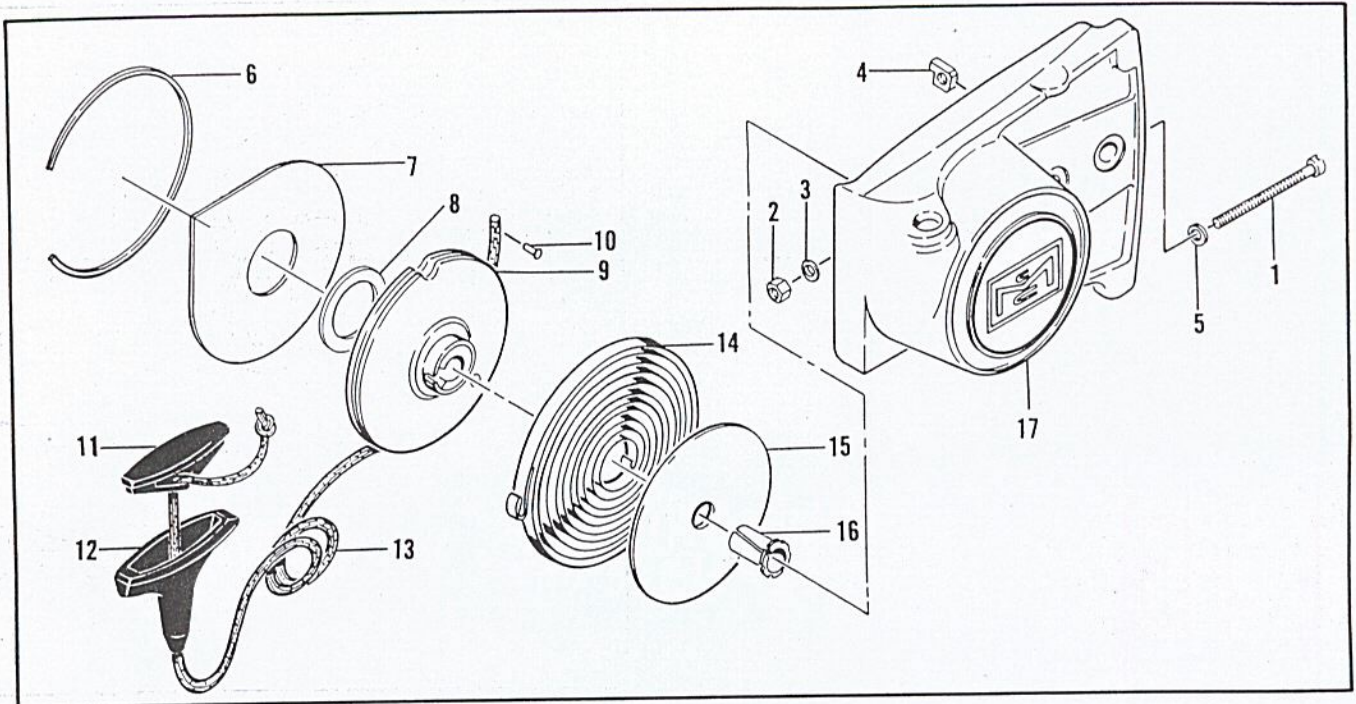


Figure 2. Clutch Guard and Starter Assembly

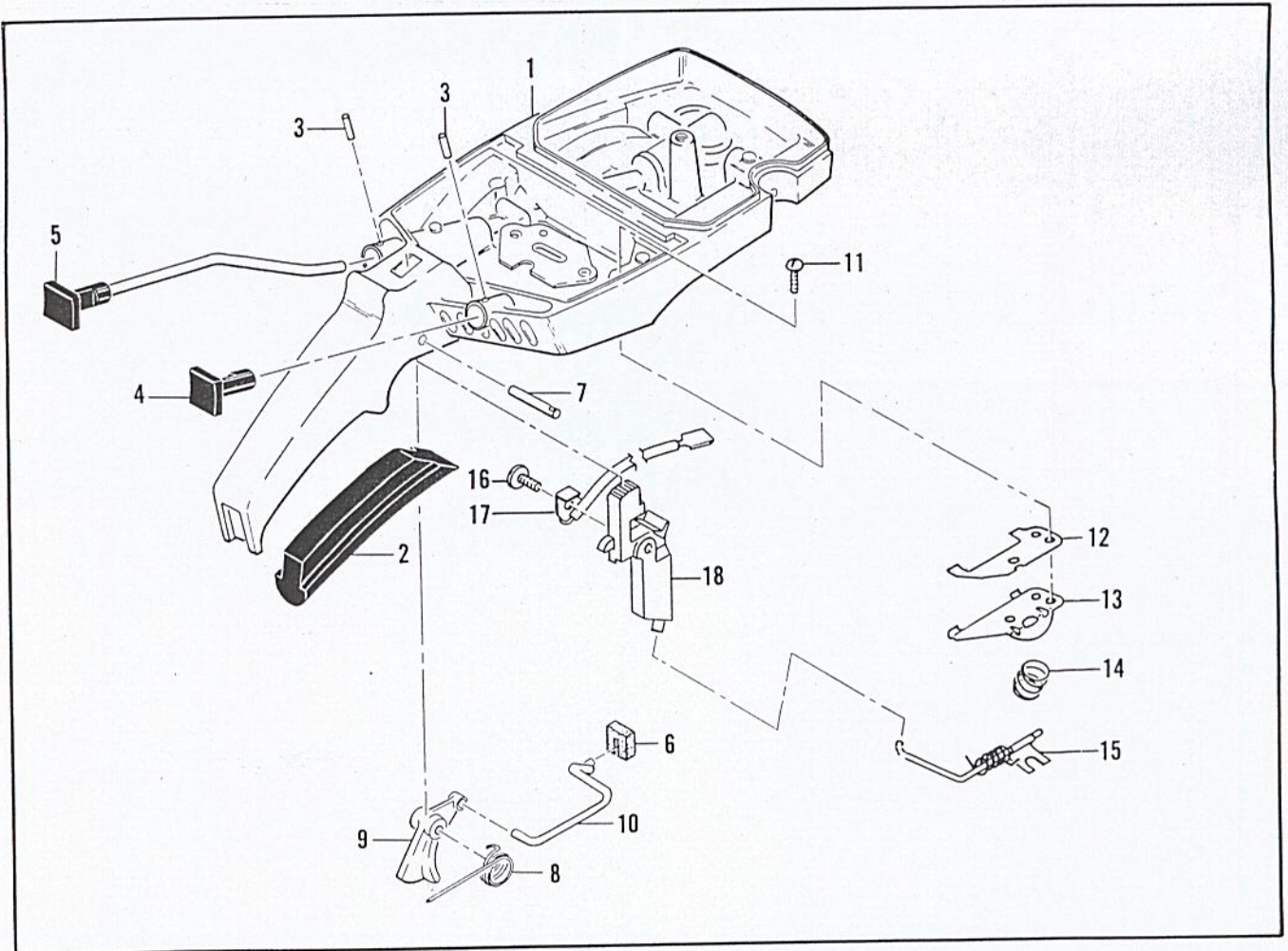


Figure 3. Fuel Tank Assembly

FIGURE 2. CLUTCH GUARD AND STARTER ASSEMBLY

Item No.	Description	Units Per Assy
	Clutch Guard Assembly	1
1	. Screw - Bar adjusting	1
2	. Nut - Hex #10 lock	1
3	. Washer - Bar adjusting	1
4	. Nut - Bar adjusting	1
5	. Washer - #10	1
6	. Retainer - Shield	1
7	. Shield - Dust	1
8	. Washer - Thrust	1

Item No.	Description	Units Per Assy
9	. Drum - Starter	1
10	. Rivet - Starter Rope	1
11	. Insert - Starter rope	1
12	. Handle - Starter	1
13	. Rope - Starter	1
14	. Spring - Starter rewind	1
15	. Shield - Starter spring	1
16	. Bushing - Nyliner	1
17	. Guard - Clutch	1

FIGURE 3. FUEL TANK ASSEMBLY

Item No.	Description	Units Per Assy
1	Fuel Tank Assembly	1
2	. Grip - Handle	1
3	. Roll Pin - 3/32 x 9/16	2
4	. Button - Primer	1
5	. Button and Rod Assembly - Oiler	1
6	. Seal - Throttle rod	1
7	. Roll Pin - 3/16 x 15/16	1
8	. Spring - Throttle return	1
9	. Trigger - Throttle	1
10	Rod - Throttle	1

Item No.	Description	Units Per Assy
11	Screw - Pan hd 8-32 x 3/8 (SEMS)	2
12	Shield - Heat	1
13	Bracket - Compression release lever	1
14	Spring - Compression release valve	1
15	Lever Assembly - Compression release	1
16	Screw - Pan hd 8-32 x 5/16	1
17	Wire Assembly - Stop switch	1
18	Button Assembly - Control	1

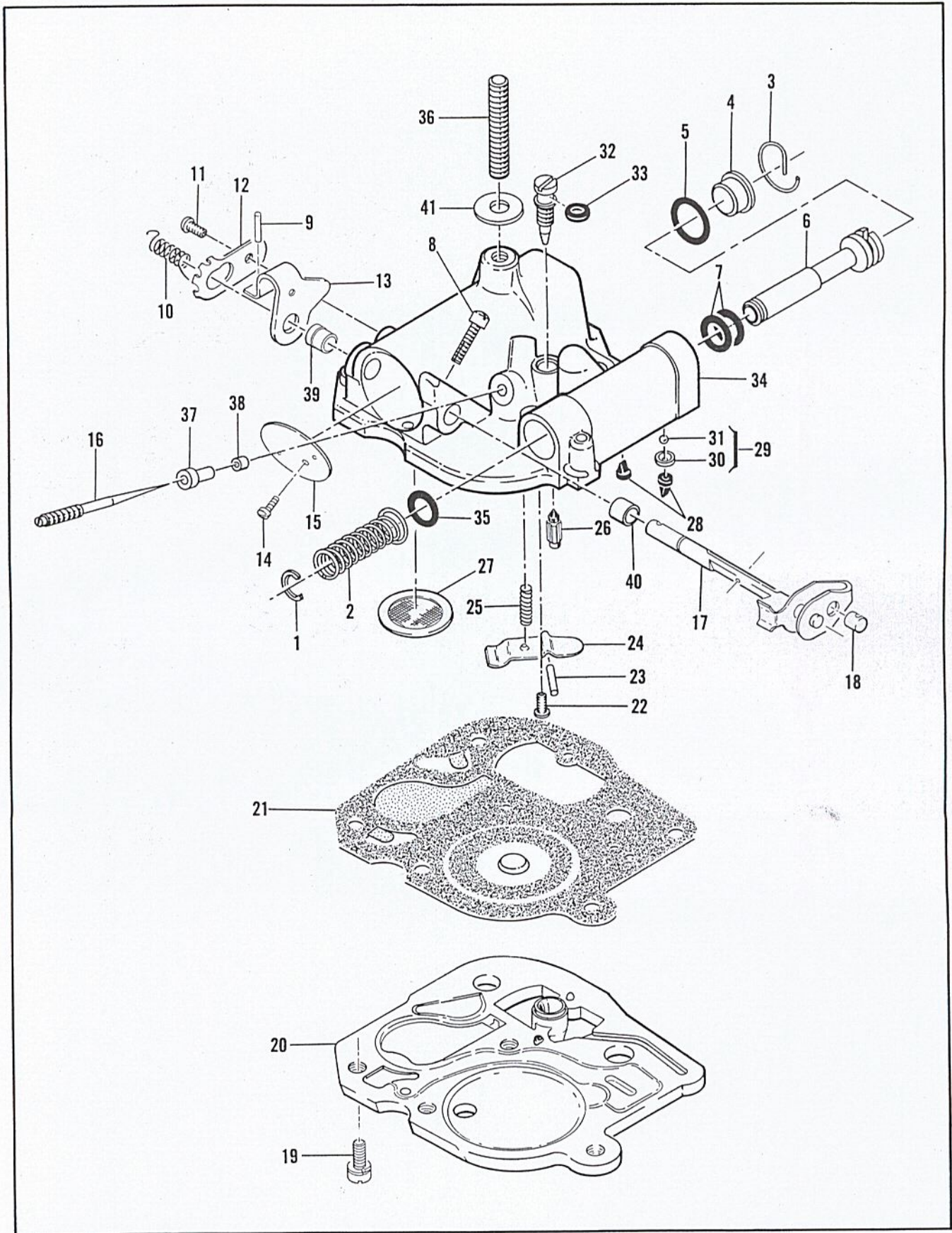


Figure 4. Carburetor Assembly

FIGURE 4. CARBURETOR ASSEMBLY

Item No.	Description	Units Per Assy
	Carburetor Assembly	1
1	. Ring - Retaining	1
2	. Spring - Plunger	1
3	. Retainer - Plug	1
4	. Plug - Primer	1
5	. "O" Ring	1
6	. Plunger - Primer	1
7	. "O" Ring	2
8	. Screw - Adjustment	1
9	. Roll Pin - 0.062 x 1/2	1
10	. Spring - Idle governor	1
11	. Screw - Rd hd 6-32 x 1/4	1
12	. Clip - Throttle shaft	1
13	. Lever - Throttle	1
14	. Screw - Pan hd 4-40 x 1/4 (SEMS)	1
15	. Plate - Throttle	1
16	. Needle - Metering	1
17	. Shaft Assembly - Throttle	1
18	. Swivel - Needle	1
19	. Screw - Pan hd 8-32 x 7/16 (SEMS)	4
20	. Plate - Carburetor base	1

Item No.	Description	Units Per Assy
21	. Diaphragm Assembly - Pump	1
22	. Screw - 6-32 x 1/4	1
23	. Pin - Inlet lever	1
24	. Lever - Inlet	1
25	. Spring - Inlet lever	1
26	. Valve - Inlet needle	1
27	. Seal - Capillary	1
28	. Valve - Primer	2
29	. Set - Ball and seat	1
30	. . Seat	1
31	. . Ball	1
32	. Needle - Main fuel	1
33	. "O" Ring	1
34	. Body Assembly - Carburetor	1
35	. . "O" Ring	1
36	. . Stud - Carburetor	1
37	. . Orifice - Air	1
38	. . Orifice - Fuel	1
39	. . Bushing - Throttle shaft	1
40	. . Bushing - Throttle shaft	1
41	Seal - Air cleaner stud	1

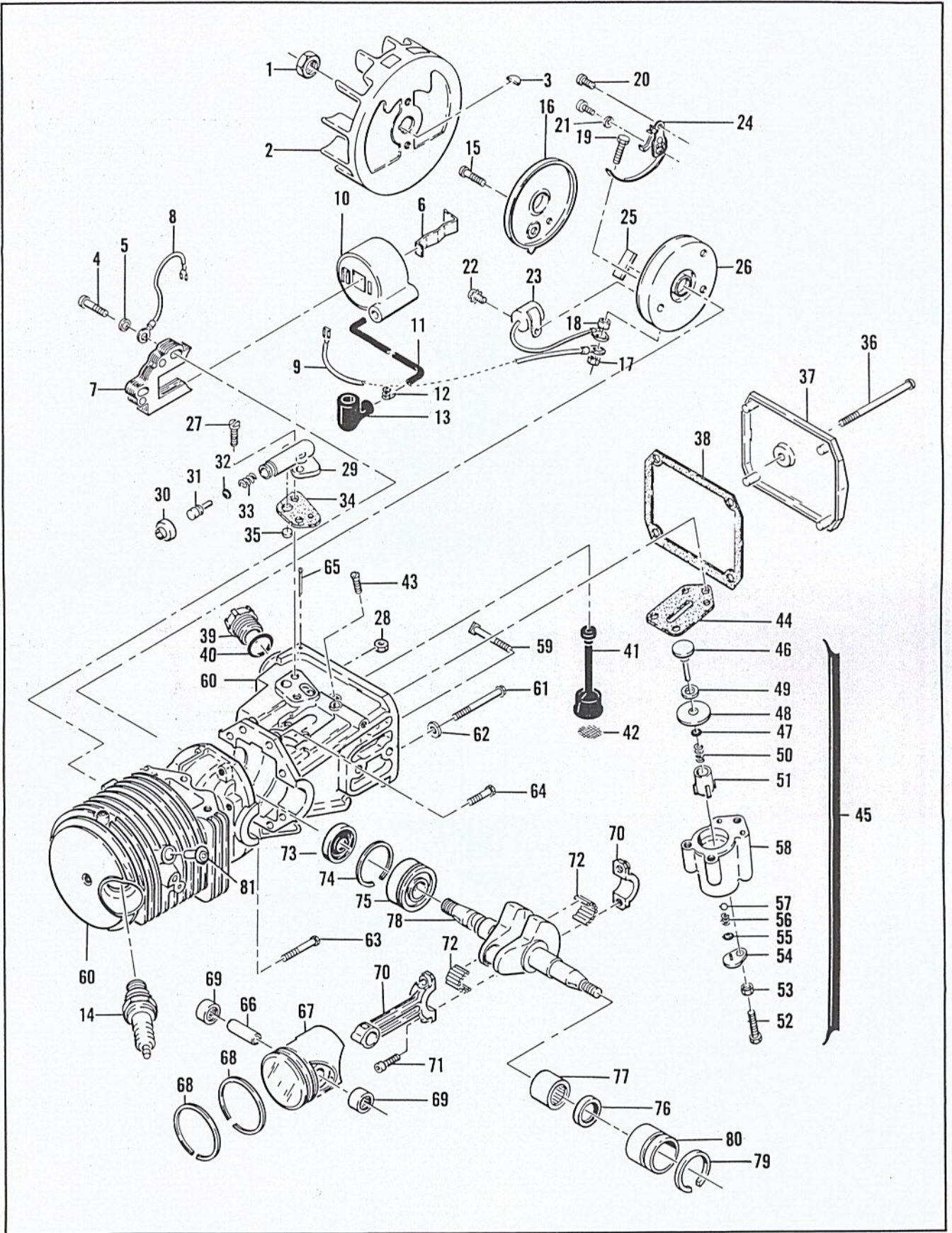


Figure 5. Powerhead Assembly

FIGURE 5. POWERHEAD ASSEMBLY

Item No.	Description	Units Per Assy
1	Nut - Hex 3/8-24	1
2	Flywheel Assembly	1
3	Key - Flywheel	1
4	Screw - Fil hd 10-24 x 7/8 (SEMS)	2
5	Washer - #10 plain	2
6	Retainer - Coil	1
7	Lamination Assembly	1
8	Wire Assembly - Ground	1
9	Wire Assembly - Primary	1
10	Coil and Terminal Assembly	1
11	. Wire Assembly - Spark plug	1
12	. . Connector	1
13	. . Boot	1
14	Spark Plug (packaged)	1
15	Screw - Rd hd 8-32 x 3/4	1
16	Cover - Breaker box	1
17	Nut - Hex 6-32	1
18	Spacer - Breaker screw	1
19	Screw - Hex hd 6-32 x 3/4	1
20	Screw - Rd hd 8-32 x 3/8	2
21	Washer - #8 plain	1
22	Screw - Rd hd 8-32 x 3/8 (SEMS)	1
23	Condenser	1
24	Breaker Assembly	1
25	Wiper - Cam	1
26	Box - Breaker	1
27	Screw - 8-32 x 1/2	2
28	Nut - Hex 8-32	1
29	Pump Assembly - Oil	1
30	. Cap - Oil pump	1
31	. Plunger - Oil pump	1
32	. "O" Ring	1
33	. Spring - Oil pump	1
34	Gasket - Oil pump	1
35	Valve - Oil pump	1
36	Screw - Pan hd 10-24 x 2-3/4	1
37	Cover - Oil tank	1
38	Gasket - Oil tank cover	1
39	Cap - Oil	1
40	"O" Ring	1
41	Hose Assembly - Oil	1

Item No.	Description	Units Per Assy
42	. Screen - Oil hose	1
43	Screw - Oval hd 8-32 x 1/2	3
44	Gasket - Pulse pump	1
45	Pulse Pump Assembly	1
46	. Piston Assembly - Pulse oiler	1
47	. "O" Ring	1
48	. Ring - Piston oiler	1
49	. Washer - Teflon	1
50	. Spring - Piston oiler	1
51	. Sleeve - Oiler adjustment	1
52	. Screw - Hex hd 8-32 x 1	1
53	. Nut - Hex 8-32	1
54	. Cover Assembly - Outlet valve	1
55	. "O" Ring	1
56	. Spring - Outlet valve	1
57	. Ball - 3/32 in. dia.	1
58	. Body Assembly - Pulse pump	1
59	Bolt - Bar mounting	2
60	Cylinder - Crankcase Assembly	1
61	. Screw Assembly - Sealing	4
62	. . Washer - Sealing	4
63	. Screw Assembly - 8-32 x 1-1/8	1
64	. Screw Assembly - 8-32 x 3/4	3
65	. Cotter Pin - 3/32 x 1/2	1
66	Pin - Piston	1
67	Piston Assembly	1
68	. Ring Set - Piston	1
69	. Bearing - Needle	2
70	Connecting Rod Assembly	1
71	. Screw - Skt hd 8-36 x 1/2	2
72	. Roller - Needle (Set of 20)	1
73	Oil Seal	1
74	Ring - Snap	1
75	Bearing - Ball	1
76	Oil Seal	1
77	Bearing - Needle	1
78	Crankshaft	1
79	Ring - Bearing insert	1
80	Insert - Bearing	1
81	Valve Assembly	1

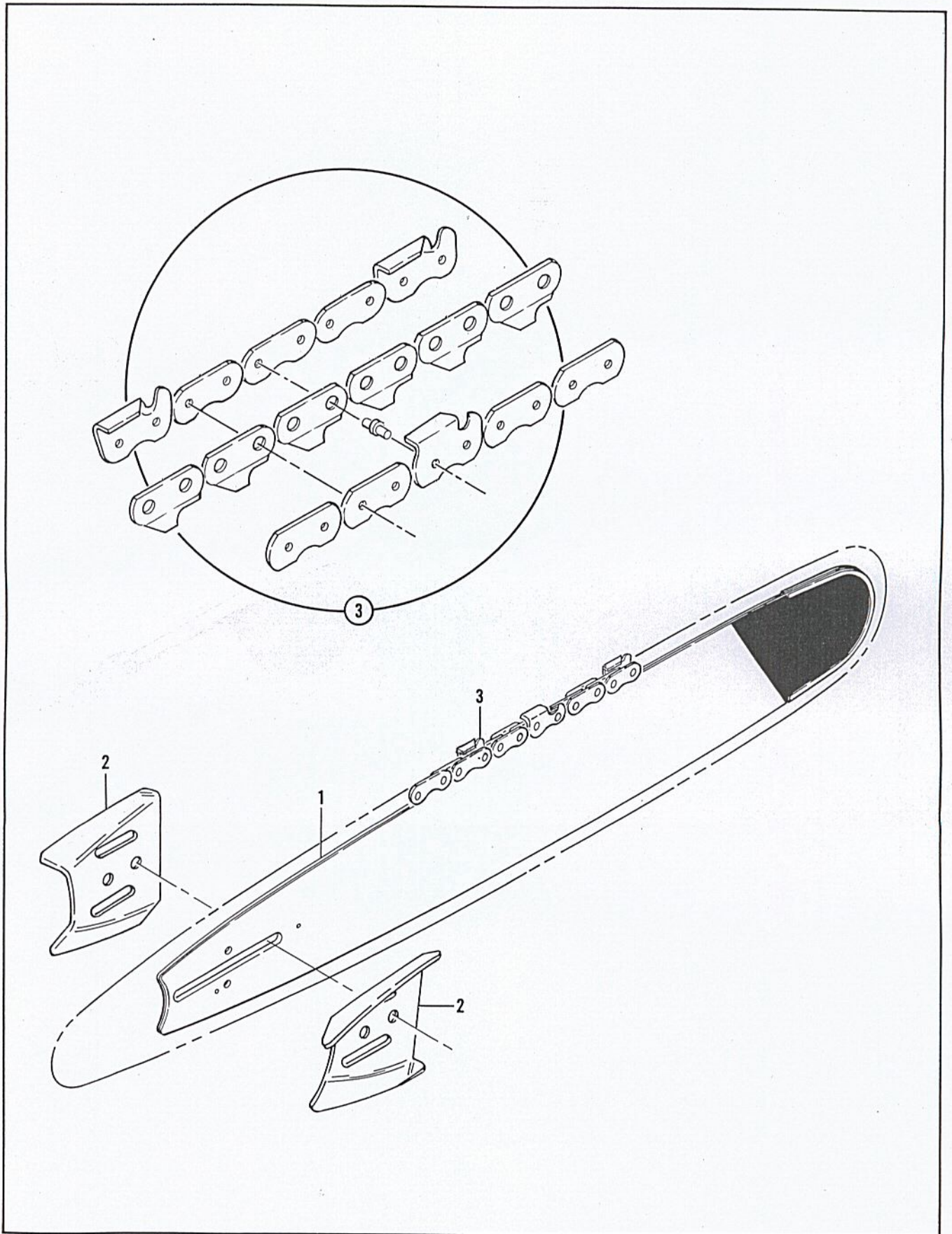


Figure 6. Bar and Chain Assembly

FIGURE 6. BAR AND CHAIN ASSEMBLIES

Item No.	Description	Units Per Assy
1	Typical Bar	1
2	Plate - Bar protector	2

Item No.	Description	Units Per Assy
3	Typical Chain Assembly	1

ACCESSORIES

Item No.	Description
1	Owner's Manual
2	Wrench - Screwdriver combination
3	Kit - Spike (4-tooth)
4	Piston Assembly - 0.020 in. oversize
5	. Ring Set - Piston 0.020 in. oversize
6	. Bearing - Needle (2)

Item No.	Description
7	Piston Assembly - 0.030 in. oversize
8	. Ring Set - Piston 0.030 in. oversize
9	. Bearing - Needle (2)
10	Baffle - Spark arrester (optional)
11	Kit - Combination wrench
12	Kit - Reed spark arrester

Figure and Item numbers are referenced to the MAC 5-10 Illustrated Parts List, P/N 65663 unless otherwise indicated on this parts list sheet. Numbers in black circles refer to notes at the bottom of the page. Numbers in parenthesis following the part number indicate a quantity change from the illustrated parts list.

MAC 5-10

Serial Numbers Without Prefix Numbers

FIG & ITEM	PART NUMBER	FIG & ITEM	PART NUMBER	FIG & ITEM	PART NUMBER	FIG & ITEM	PART NUMBER
1-1	110454	1-61	102388	4-1	101289	5-18	62365
1-2	100440	1-62	100352	4-2	65859	5-19	110346
1-3	Fig. reference	1-63	63070	4-3	65677	5-20	100934
1-4	Fig. reference	1-64	104534	4-4	65617	5-21	105976
1-5	102761	1-65	104849	4-5	105617	5-22	105249
1-6	100352	1-66	110264	4-6	65602	5-23	61650
1-7	61678	1-67	63748	4-7	59796	5-24	62363
1-8	101326	1-68	110341	4-8	110483	5-25	54184
1-9	105187	1-69	64846	4-9	101500	5-26	62361
1-10	100004	1-70	101284	4-10	62939A	5-27	100414
1-11	63884	1-71	110264	4-11	101207	5-28	100955
1-12	103746	1-72	62380	4-12	62938	5-29	62319A
1-13	65471	1-73	62379B	4-13	62343A	5-30	62262
1-14	64583	1-74	64601	4-14	104814	5-31	62266
1-15	63999	1-75	63993	4-15	62290A	5-32	101056
1-16	62198B	1-76	65676	4-16	65431	5-33	59934
1-17	65475	1-77	Fig. reference	4-17	62291A	5-34	62230
1-18	62328			4-18	62975	5-35	62909
1-19	65472			4-19	110397	5-36	110291
1-20	64857	2-	65530	4-20	65605	5-37	63072
1-21	65473	2-1	102144	4-21	65608	5-38	62116
1-22	65370	2-2	102067	4-22	110363	5-39	57129A
1-23	65368	2-3	110387	4-23	110337	5-40	101148
1-24	110330	2-4	61705	4-24	62310	5-41	62123B
1-25	61692	2-5	101174	4-25	62923A	5-42	51506
1-26	103879	2-6	62371	4-26	63038	5-43	110333
1-27	65750	2-7	63985	4-27	55690B	5-44	62274
1-28	65720	2-8	63986	4-28	63041	5-45	62320C
1-29	65463	2-9	65526	4-29	65868	5-46	60260A
1-30	65740	2-10	110470	4-30	65824	5-47	101758
1-31	62978	2-11	62191A	4-31	61151	5-48	60263
1-32	63073	2-12	62190A	4-32	65445	5-49	60937
1-33	61721D	2-13	59952A	4-33	104001	5-50	60259
1-34	64762	2-14	36059	4-34	65435	5-51	62227
1-35	63040	2-15	63987	4-35	59796	5-52	110386
1-36	62316	2-16	61635A	4-36	65724	5-53	100251
1-37	63041	2-17	65519	4-37	65476	5-54	63858
1-38	61722C			4-38	63813	5-55	103195
1-39	110402			4-39	62288A	5-56	62885A
1-40	63270	3-1	65870	4-40	62368	5-57	102809
1-41	63288	3-2	64872	4-41	62435	5-58	62321B
1-42	62102	3-3	105673			5-59	62065
1-43	64848	3-4	63045			5-60	65895
1-44	63932	3-5	64871	5-1	101391	5-61	62105
1-45	103356	3-6	61696	5-2	61737A	5-62	62842
1-46	64856	3-7	110378	5-3	103879	5-63	110289
1-47	63325	3-8	65734	5-4	101965	5-64	110288
1-48	65726	3-9	62949	5-5	100003	5-65	100010
1-49	65434	3-10	65733	5-6	51253	5-66	65389
1-50	65739	3-11	105249	5-7	62741	5-67	63287
1-51	65738	3-12	64621	5-8	62819	5-68	63290
1-52	65758	3-13	64721	5-9	62818A	5-69	103085
1-53	110423	3-14	64650	5-10	63888	5-70	65401
1-54	64856	3-15	65949	5-11	63886	5-71	61627A
1-55	63325	3-16	110469	5-12	62932	5-72	63225
1-56	Fig. reference	3-17	64614	5-13	62926	5-73	61618
1-57	64852	3-18	65479	5-14	63432	5-74	63464
1-58	63258A			5-15	110349	5-75	63429B
1-59	63303A			5-16	62362		
1-60	110353	4-	65434	5-17	100298		

Continued

FIG & ITEM	PART NUMBER	FIG & ITEM	PART NUMBER	FIG & ITEM	PART NUMBER	FIG & ITEM	PART NUMBER
		<i>ACCESSORY ITEMS</i>					
5-76	110260	1	65708				
5-77	104357	2	62827				
5-78	63336	3	63341A				
5-79	63699	4	63233				
5-80	63701	5	63291				
5-81	65910	6	103085				
		7	63234				
		8	63292				
6-1	MAC 10 Bar	9	103085				
6-2	64325	10	65325				
6-3	Chain Assy	11	63746				
		12	65529				



McCULLOCH CORPORATION
6101 WEST CENTURY BLVD., LOS ANGELES, CALIFORNIA 90045

McCULLOCH OF CANADA, LTD.
77 BELFIELD ROAD, REXDALE, ONTARIO, CANADA

McCULLOCH INTERNATIONAL, INC.
POSTBUS 10, MALINES, BELGIUM
G.P.O. BOX 879, HONG KONG, B. C. C.

McCULLOCH OF AUSTRALIA PTY., LTD.
P. O. BOX 165, SOUTH GRANVILLE, N. S. W., AUSTRALIA

McCULLOCH INTERNATIONAL (U.S.), INC.
P. O. BOX 45466 LOS ANGELES, CALIFORNIA, U.S.A.

Figure and Item numbers are referenced to the Illustrated Parts List, P/N 65663 unless otherwise indicated on this parts list sheet. Numbers in black circles refer to notes at the bottom of the page. Numbers in parenthesis following the part number indicate a quantity change from the illustrated parts list.

FIG. & ITEM	PART NUMBER	NOMENCLATURE	FIG. & ITEM	PART NUMBER	NOMENCLATURE	FIG. & ITEM	PART NUMBER	NOMENCLATURE
1-1	110454	Nut	1-52	65758	Rod	3-2	64872	Grip
1-2	100440	Washer	1-53	102290	Screw	3-3	105673	Pin
1-3	Fig. reference		1-54	63475 (4)	Lockplate	3-4	66194	Button
1-4	Fig. reference		1-55	63325	Washer	3-5	64871	Button
1-5	102761	Screw	1-56	Fig. reference		3-6	61696	Seal
1-6	100352	Washer	1-57	64852	Gasket	3-7	110378	Pin
1-7	61678	Plug	1-58	63258A	Insulator	3-8	65734	Spring
1-8	101326	Nut	1-59	65741	Gasket	3-9	65864	Trigger
1-9	102130 (1)	Screw				3-10	66156	Rod
1-10	100153 (2)	Lockwasher				3-11	105249	Screw
1-A	63484 (3)	Clamp	1-60	110353	Screw	3-12	64621	Shield
1-11	66310	Frame	1-61	102388	Screw	3-13	64721	Bracket
1-12	103746	Nut	1-62	100352	Washer	3-14	64650	Spring
1-13	65471	Clutch	1-63	63070	Brace	3-15	66306	Lever
1-14	64583	Retainer	1-64	104534	Screw	3-16	110469	Screw
1-15	63999	Spring	1-65	104849	Screw	3-17	65873	Wire
1-16	62198B	Shoe	1-66	110264	Washer	3-18	65860	Button
1-17	65475	Rotor	1-67	63748	Gasket			
1-18	62328	Spring	1-68	110341	Screw	4-	66511	Carburetor
1-19	65472	Rivet	1-69	64846	Spark Arr.	4-1	101289	Ring
1-20	64857	Pawl	1-70	101284	Screw	4-2	65859	Spring
1-21	65473	Washer	1-71	110264	Washer	4-3	65677	Retainer
1-22	65370	Kit	1-72	62380	Cover	4-4	65617	Plug
1-23	65368	Sprocket	1-73	62379B	Baffle	4-5	105617	"O" Ring
1-24	110330	Bearing	1-74	64601	Body	4-6	66552	Plunger
1-25	61692	Shim	1-75	63993	Insulator	4-7	66617	"O" Ring
1-26	103879	Key	1-76	65676	Shroud	4-8	110483	Screw
1-27	65750	Cover	1-77	Fig. reference		4-9	101500	Pin
1-28	65720	Nut				4-10	62939A	Spring
1-29	65463	Nameplate	2-	65530	Guard Assy	4-11	101207	Screw
1-30	65740	Screen	2-1	102144	Screw	4-12	62938	Clip
1-31	62978	Screw	2-2	102067	Nut	4-13	62343A	Lever
1-32	63073	Housing	2-3	110367	Washer	4-14	104814	Screw
1-33	61721D	Cap	2-4	61705	Nut	4-15	62290A	Plate
1-34	64762	Cover	2-5	101174	Washer	4-16	65431	Needle
1-35	63040	Spring	2-6	62371	Retainer	4-17	62291A	Shaft
1-36	62316	Guide	2-7	63985	Shield	4-18	62975	Swivel
1-37	63041	Valve	2-8	63986	Washer	4-19	110397	Screw
1-38	65671	Gasket	2-9	65526	Drum	4-20	66507	Plate
1-39	110402	Screw	2-10	110470	Rivet	4-21	65608	Diaphragm
1-40	63270	Spacer	2-11	62191A	Insert	4-22	104728	Screw
1-41	63288	Cover	2-12	62190A	Handle	4-23	110337	Pin
1-42	62102	Gasket	2-13	59952A	Rope	4-24	62310	Lever
1-43	64848	Hose	2-14	36059	Spring	4-25	62923A	Spring
1-44	63932	Filter	2-15	63987	Shield	4-26	63038	Valve
1-45	103356	Screw	2-16	61635A	Bushing	4-27	55690B	Seal
1-46	64856	Washer	2-17	65519	Guard	4-28	63041 (1)	Valve
1-47	63325	Washer				4-29	65868	Set
1-48	65726	Sleeve				4-30	66153	Seat
1-49	Fig. reference					4-31	61151	Ball
1-50	65739	Gasket	3-1	66649	Tank	4-32	65445	Needle
1-51	66232	Insulator	3-A	105788 (5)	Rivet			

Continued

NOTES

(1) Screw - Hex hd 1/4-20 x 1-1/2

(2) Lockwasher - 1/4

(3) Clamp - Frame Used to hold the upper frame arm tight against the fuel tank

(4) Lockplate

(5) Rivet

Replaces Washer, P/N 64856
The two rivets installed in the fuel tank bottom must be removed for DSP bracket installation

