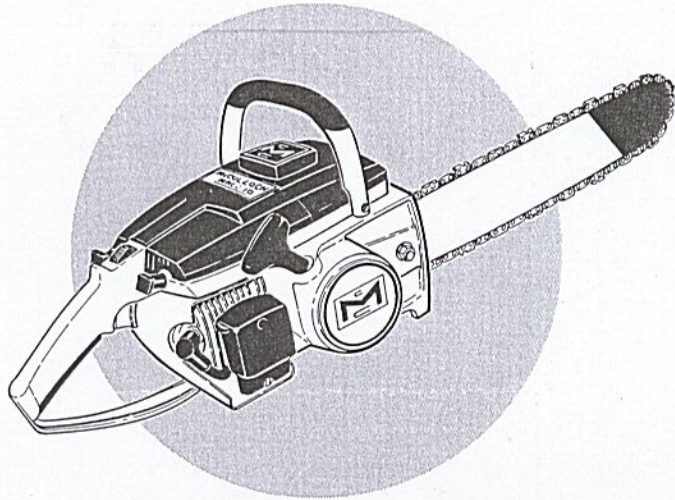


MASTER ILLUSTRATED PARTS LIST



MAC 4-10 Chain Saw

April 1970

CONTENTS

The policy of McCulloch Corporation is one of continual improvement in design, manufacturing and engineering advancement wherever possible to assure still finer two-cycle power tools. Hence, specifications, equipment, colors, design and manufacturer's suggested list prices are subject to change without notice and McCulloch Corporation reserves the right to make such changes without prior notification or obligation to backfit or supply backfit components for units previously shipped from the factory.

	Page
Figure 1. General.	2
Figure 2. Clutch Guard Assembly.	6
Figure 3. Fuel Tank Assembly.	6
Figure 4. Carburetor Assembly (Single Needle)	8
Figure 5. Carburetor Assembly (Double Needle)	10
Figure 6. Powerhead Assembly	12

This Master Illustrated Parts List gives the name, number and interchangeability between engines, of service and replacement parts which were used on or are presently for all MAC 4-10 chain saws manufactured to date.

Information about the List and how to use it will be found on the back cover.
Read the information before you start to use the List.



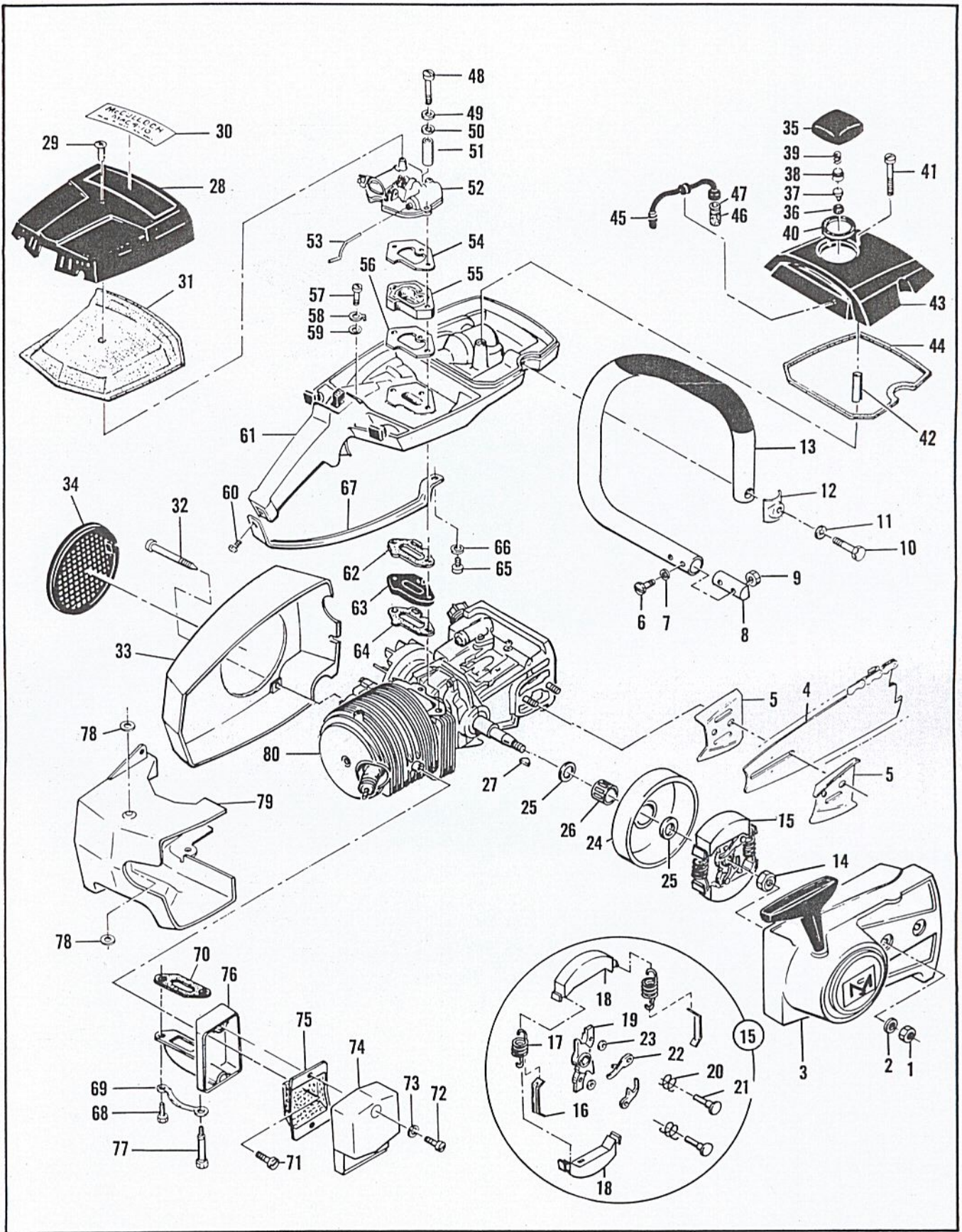


Figure 1. General

Figure 1. General

Item No.	Part Number	Description	Units Per Assy	Usable On Code						
MAC 4-10 Usable on Code										
<table border="1"> <thead> <tr> <th>Letter</th> <th>A</th> <th>B</th> </tr> </thead> <tbody> <tr> <td>Serial Numbers</td> <td>Without Prefix</td> <td>Prefixed 1- & 2-</td> </tr> </tbody> </table>					Letter	A	B	Serial Numbers	Without Prefix	Prefixed 1- & 2-
Letter	A	B								
Serial Numbers	Without Prefix	Prefixed 1- & 2-								
1	110454	Nut - Hex 5/16-24	2	All						
2	100440	Washer - 5/16	2	All						
3		Clutch Guard Assy (see Figure 2)		All						
4		Bar and Chain Assy		All						
5	64325	Plate - Bar (Accessory item)	2	All						
6	102761	Screw - Hex hd 10-24 x 7/8	2	All						
7	100352	Washer - #10	2	All						
8	61678	Plug - Nut retainer	1	All						
9	101326	Nut - Hex 10-24	2	All						
10	102130	Screw - Hex hd 1/4-20 x 1-1/2	1	All						
11	100153	Lockwasher - 1/4	1	All						
12	63484	Clamp - Frame	1	All						
13	69054	Frame and Grip Assy	1	All						
14	*110350	Nut - Hex 5/16-24	1	A						
	103746	Nut - Hex 3/8-24	1	All						
15	67148	Clutch Assy	1	All						
16	64583	. Retainer - Clutch spring	2	All						
17	63999	. Spring - Clutch	2	A						
	66384	. Spring - Clutch	2	B						
18	67233	. Shoe - Clutch	2	All						
19	67149	. Rotor Assy - Clutch	1	All						
20	68837	. Spring - Pawl	2	All						
21	67112	. Rivet - Pawl	2	All						
22	64857	. Pawl - Starter	2	All						
23	65473	. Washer - Special	2	All						
24	65370	Kit - Sprocket and drum	1	All						
25	61692	. Shim - Sprocket	2	All						
26	110330	Bearing - Sprocket	1	All						
27	103879	Key - Woodruff	1	All						
28	63293	Cover Assy - Air cleaner	1	A						
	65750	Cover Assy - Air cleaner	1	B						
29	63924A	. Nut - Cover	1	A						
	65720	. Nut - Cover	1	B						
30	65461	Nameplate	1	All						
31	62077	Screen - Air cleaner	1	A						
	68521	Screen - Air cleaner	1	B						
32	62978	Screw - Special	3	All						
33	83521	Kit - Fan housing	1	All						
34	55615	. Guard - Flywheel	1	All						
35	68531	Cap Assy - Fuel	1	All						
36	68533	. Plug	1	All						
37	63041	. Valve	1	All						
38	62316	. Guide	1	All						
39	*63040	. Spring	1	All						
40	69767	. Gasket	1	All						
41	110402	Screw - Oval hd 12-24 x 2-3/8	1	All						
42	69686	Spacer - Cover	1	All						
43	†64854	Cover - Fuel tank	1	A						
	63288	Cover - Fuel tank	1	All						
44	69345	Gasket - Fuel tank cover	1	All						

*Used only on some early units having a 5/16-inch thread on the clutch end of the crankshaft.

†Used only on some early units and having a 0.340-inch diameter fuel hose port.

Figure 1. General (Cont.)

Item No.	Part Number	Description	Units Per Assy	Usable On Code
45	63935	Hose Assy - Fuel (For use with Fuel Tank Cover #64854)	1	A
	64848	Hose Assy - Fuel	1	All
46	63932	Filter - Fuel	1	All
47	100440	Washer	1	All
48	102765	Screw - Hex hd 10-24 x 1-3/4	2	A
	110551	Screw - Hex hd 10-24 x 2-1/8	2	B
49	100352	Washer - #10	2	A
	64856	Washer - Special	2	B
50	68203	Washer - Insulator	2	All
51	63733	Sleeve - Insulator	2	A
	65726	Sleeve - Insulator	2	B
52		Carburetor Assy (see Figure 4)		A
		Carburetor Assy (see Figure 5)		B
53	62066A	Rod - Primer	1	A
	65758	Rod - Primer	1	B
54	65742	Gasket - Carburetor	1	A
	65739	Gasket - Carburetor	1	B
55	66232	Insulator - Carburetor	1	B
56	65739	Gasket - Insulator	1	B
57	110423	Screw - Hex hd 10-24 x 1-1/8	1	A
	102290	Screw - Hex hd 10-24 x 1-1/8	1	B
58	100352	Washer - #10	1	A
	63475	Lockplate	1	B
59	68203	Washer - Insulator	1	All
60	110353	Screw - Oval hd 10-24 x 3/8	1	All
61		Fuel Tank Assy (see Figure 3)		All
62	68129	Gasket - Fuel tank	1	A
	64852	Gasket - Fuel tank	1	B
63	63258A	Insulator - Fuel tank	1	All
64	68129	Gasket - Insulator	1	All
65	102388	Screw - Hex hd 10-24 x 5/8	1	All
66	100352	Washer - #10	1	All
67	69838	Brace - Handle	1	All
68	110506	Screw - Hex hd 10-24 x 5/8	1	All
69	67922	Lockplate	1	All
70	68149	Gasket - Spark arrester	1	All
71	110341	Screw - Hex hd 10-24 x 1/2	1	All
	68194	Kit - Spark arrester	1	All
72	102290	Screw - Hex hd 10-24 x 1-1/8	2	All
73	110264	Washer - #10	2	All
74	62380	Cover Assy	1	All
75	62379B	Baffle	1	All
76	83105	Body and Duct Assy	1	All
77	68187	Screw - Special	1	All
78	63993	Insulator - Shroud	2	All
79	67378	Shroud	1	All
80		Powerhead Assy (see Figure 6)		All

Master Illustrated Parts List, P/N 84483, supersedes and cancels all previous lists issued for the MAC 4-10 saw. Discard the following lists:

IPL 63286 covering saws having serial numbers without prefix.
IPL 66387 and
Parts list sheet 66722 covering saws having serial numbers prefixed 1- and 2-.

SERVICE SPECIFICATIONS

Spark Plug Gap -----	0.025 in.
Lamination Gap -----	0.010 to 0.015 in.
Breaker Point Gap -----	0.018 in.
Torque Values	
Flywheel Nut -----	240 to 300 inch-pounds.
Clutch Nut-----	160 to 170 inch-pounds.
Connecting Rod Screws -----	65 to 70 inch-pounds.

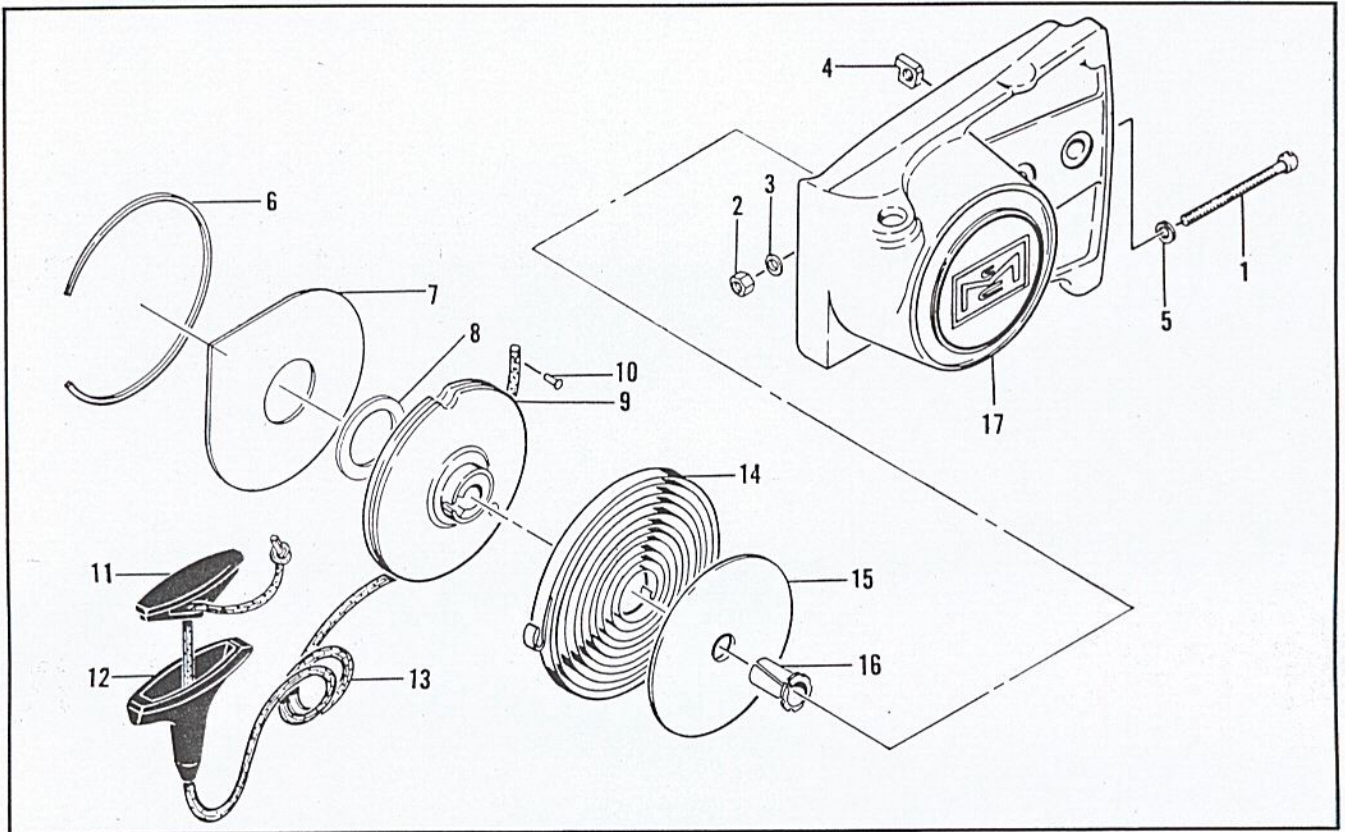


Figure 2. Clutch Guard Assembly

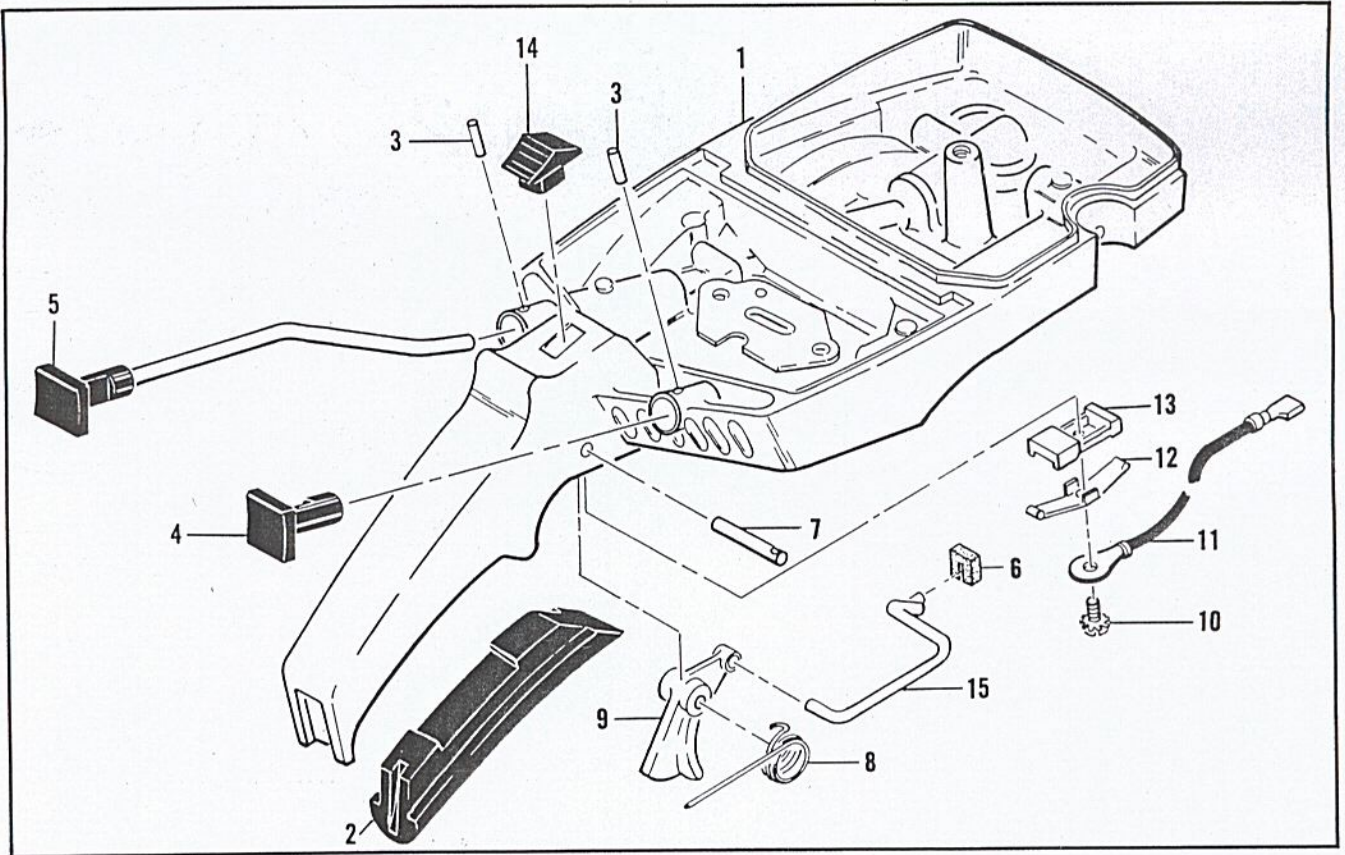


Figure 3. Fuel Tank Assembly

Figure 2. Clutch Guard Assembly

Item No.	Part Number	Description	Units Per Assy	Usable On Code
	83850	Clutch Guard Assy	1	All
1	102144	. Screw - Bar adjusting	1	All
2	102067	. Nut - Hex 10-24	1	All
3	110387	. Washer - Wave	1	All
4	61705	. Nut - Bar adjusting	1	All
5	101174	. Washer - #10	1	All
6	67205	. Retainer - Shield	1	All
7	63985	. Shield - Dust	1	All
8	63986	. Washer - Thrust	1	All
9	83651	. Drum - Starter	1	All
10	110470	. Rivet - Starter rope	1	All
11	62191A	. Insert - Starter rope	1	All
12	62190A	. Handle - Starter	1	All
13	69964	. Rope - Starter	1	All
14	68626	. Spring - Rewind	1	All
15	63987	. Shield - Starter spring	1	All
16	61635A	. Bushing - Nyliner	1	All
17	67207	. Guard - Clutch	1	All

MAC 4-10 Usable on Code

Letter	A	B
Serial Numbers	Without Prefix	Prefixed 1- & 2-

Figure 3. Fuel Tank Assembly

Item No.	Part Number	Description	Units Per Assy	Usable On Code
1	66649	Fuel Tank Assy	1	All
2	64872	Grip - Handle	1	All
3	105673	Pin - Roll 3/32 x 9/16	2	All
4	66194	Button - Primer	1	All
5	64871	Button and Rod Assy - Oiler	1	All
6	67989	Seal - Throttle rod	1	All
7	110378	Pin - Roll 3/16 x 15/16	1	All
8	65734	Spring - Throttle return	1	All
9	67224	Trigger - Throttle	1	All
10	103672	Screw - Fil hd 8-32 x 1/2 (SEMS)	1	All
11	62973A	Wire Assy - Stop switch	1	All
12	62451	Contact - Ignition switch	1	All
13	62950A	Base - Switch	1	All
14	62951	Button - Switch	1	All
15	62970C	Rod - Throttle	1	A
	66156	Rod - Throttle	1	B

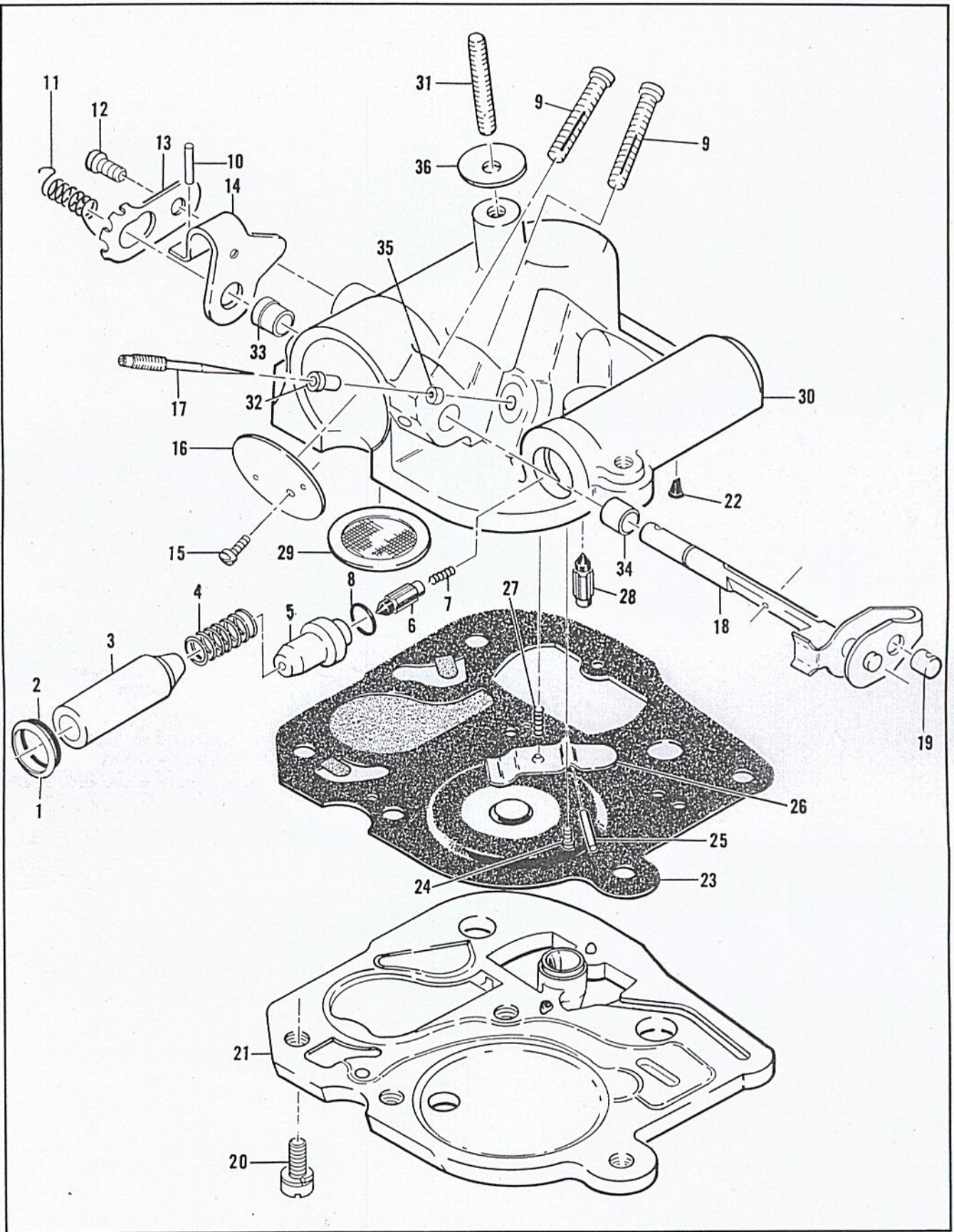


Figure 4. Carburetor Assembly (Single Needle)

Figure 4. Carburetor Assembly (Single Needle)

Item No.	Part Number	Description	Units Per Assy	Usable On Code						
MAC 4-10 Usable on Code										
<table border="1"> <thead> <tr> <th>Letter</th> <th>A</th> <th>B</th> </tr> </thead> <tbody> <tr> <td>Serial Numbers</td> <td>Without Prefix</td> <td>Prefixed 1- & 2-</td> </tr> </tbody> </table>					Letter	A	B	Serial Numbers	Without Prefix	Prefixed 1- & 2-
Letter	A	B								
Serial Numbers	Without Prefix	Prefixed 1- & 2-								
	*66565	Carburetor Assy (McCulloch Single Needle)	1	A						
1	63334	. Retainer - Ring	1	A						
2	105606	. "O" Ring	1	A						
3	62308A	. Plunger - Primer	1	A						
4	11086	. Spring - Plunger	1	A						
5	63037	. Seat - Primer valve	1	A						
6	63038	. Valve - Primer needle	1	A						
7	63039	. Spring - Needle valve	1	A						
8	101056	. "O" Ring	1	A						
9	62971	. Screw - Long locking	2	A						
10	104245	. Pin - Roll .062 x 1/2	1	A						
11	62939A	. Spring - Idle governor	1	A						
12	103934	. Screw - Pan hd 6-32 x 1/4 (SEMS)	1	A						
13	62938	. Clip - Throttle shaft	1	A						
14	62343A	. Lever - Throttle	1	A						
15	104814	. Screw - Pan hd 4-40 x 1/4 (SEMS)	1	A						
16	62290A	. Plate - Throttle	1	A						
17	63857	. Needle - Metering	1	A						
18	62291A	. Shaft Assy - Throttle	1	A						
19	62975	. Swivel - Needle	1	A						
20	110397	. Screw - Pan hd 8-32 x 7/16 (SEMS)	4	A						
21	63283A	. Plate Assy - Carburetor base	1	A						
22	63041	. Valve - Primer	1	A						
23	65608	. Diaphragm Assy - Pump	1	A						
24	104728	. Screw - Bind hd 6-32 x 1/4	1	A						
25	110337	. Pin - Inlet lever	1	A						
26	62310	. Lever - Inlet	1	A						
27	62923A	. Spring - Inlet lever	1	A						
28	63038	. Valve - Inlet needle	1	A						
29	55690B	. Seal - Capillary	1	A						
30	63296B	. Body Assy - Carburetor	1	A						
31	63923A	. Stud - Carburetor	1	A						
32	63996	. Orifice - Air	1	A						
33	62288A	. Bushing - Throttle shaft	1	A						
34	62368	. Bushing - Throttle shaft	1	A						
35	66569	. Orifice - Fuel	1	A						
36	67062	Seal - Carburetor stud	1	A						

*Same as Carburetor Assy P/N 66511 (Figure 5) except includes Stud, P/N 63923A and Primer Rod, P/N 65851.

MCCULLOCH SINGLE NEEDLE CARBURETOR ADJUSTMENT

1. Turn Lo Speed screw counterclockwise until it no longer touches stop and butterfly can be completely closed.
2. Hold finger against closed butterfly and turn Lo Mix needle clockwise until butterfly starts to open. Turn the needle counterclockwise three turns.
3. Hold finger against closed butterfly and turn Lo Speed screw clockwise until butterfly starts to open. Turn the screw one half turn more.
4. Turn the Lo Mix needle in or out (leaner or richer) to obtain a smooth rapid acceleration. Roll the engine right and left, bar up and bar down. Check for smooth idle in all positions and adjust Lo Mix needle as necessary.
5. Set tension on the idle governor spring so that the engine idles smoothly in all positions and after any change in position. If chain moves after position change, reduce tension.
6. Adjust Hi Mix screw for maximum power under load. Make sure that when trigger is released the engine does not speed up before returning to idle. Turn screw clockwise until engine slows down immediately after trigger release. **DO NOT TOUCH LO MIX NEEDLE. ADJUST FOR HIGH SPEED OPERATION WITH HI MIX SCREW ONLY.**
7. With throttle in wide open position, adjust Hi Mix screw to set butterfly in horizontal position. Now turn screw clockwise until butterfly just starts to close.
8. Set tension on idle governor spring to hold butterfly slightly open.

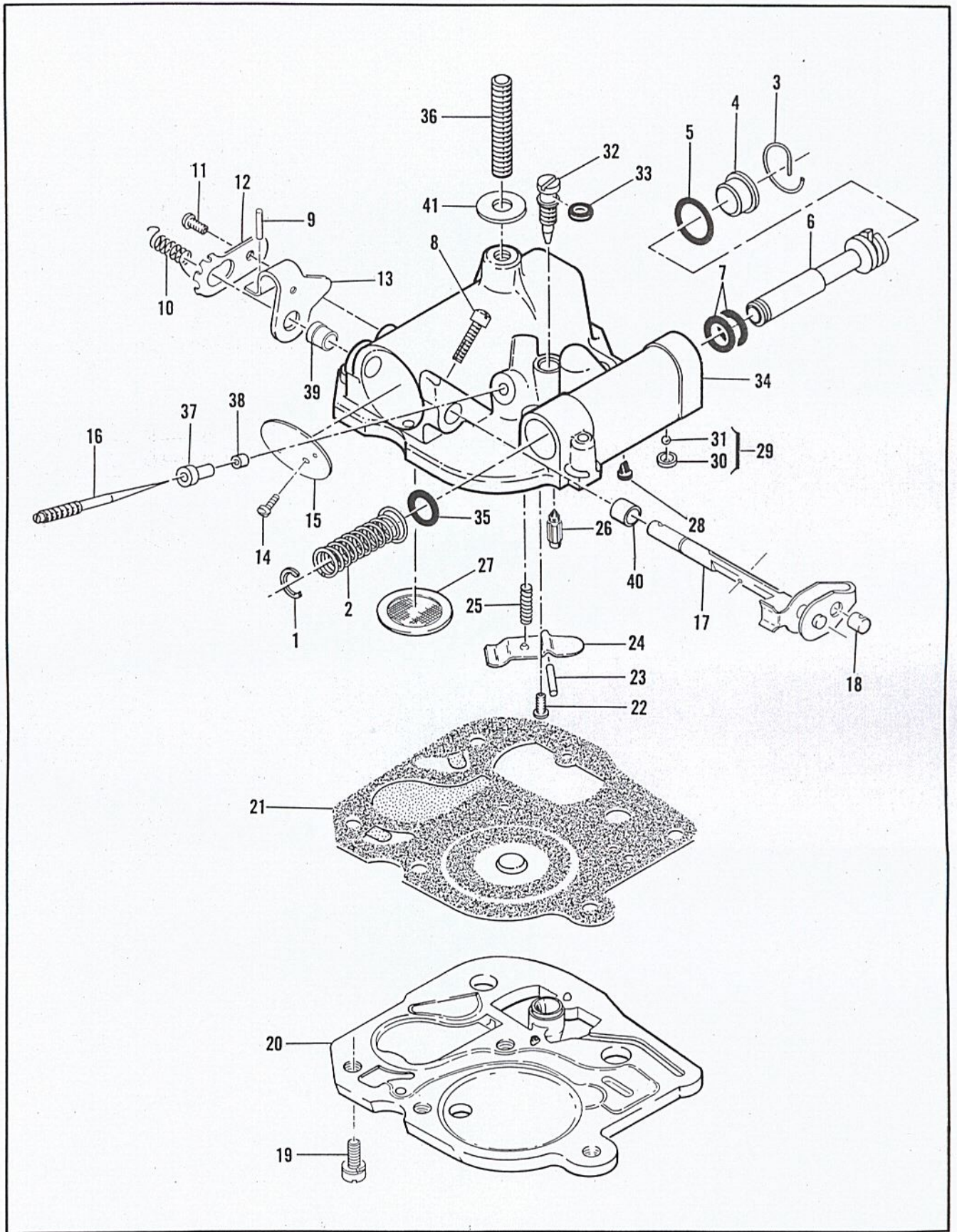


Figure 5. Carburetor Assembly (Double Needle)

Figure 5. Carburetor Assembly (Double Needle)

Item No.	Part Number	Description	Units Per Assy	Usable On Code						
MAC 4-10 Usable on Code										
<table border="1"> <thead> <tr> <th>Letter</th> <th>A</th> <th>B</th> </tr> </thead> <tbody> <tr> <td>Serial Numbers</td> <td>Without Prefix</td> <td>Prefixed 1- & 2-</td> </tr> </tbody> </table>					Letter	A	B	Serial Numbers	Without Prefix	Prefixed 1- & 2-
Letter	A	B								
Serial Numbers	Without Prefix	Prefixed 1- & 2-								
	66511	Carburetor Assy (McCulloch Double Needle)	1	B						
1	101289	. Ring - Retaining	1	B						
2	65859	. Spring - Plunger	1	B						
3	65677	. Retainer - Plug	1	B						
4	65617	. Plug - Primer	1	B						
5	105617	. "O" Ring	1	B						
6	66552	. Plunger - Primer	1	B						
7	66551	. "O" Ring	2	B						
8	110483	. Screw - Long locking	1	B						
9	104245	. Pin - Roll .062 x 1/2	1	B						
10	62939A	. Spring - Idle governor	1	B						
11	103934	. Screw - Rd hd 6-32 x 1/4	1	B						
12	62938	. Clip - Throttle shaft	1	B						
13	62343A	. Lever - Throttle	1	B						
14	104814	. Screw - Pan hd 4-40 x 1/4 (SEMS)	1	B						
15	62290A	. Plate - Throttle	1	B						
16	65431	. Needle - Metering	1	B						
17	62291A	. Shaft Assy - Throttle	1	B						
18	62975	. Swivel - Needle	1	B						
19	110397	. Screw - Pan hd 8-32 x 7/16 (SEMS)	4	B						
20	66507	. Plate - Carburetor base	1	B						
21	65608	. Diaphragm Assy - Pump	1	B						
22	104728	. Screw - Bind hd 6-32 x 1/4	1	B						
23	110337	. Pin - Inlet lever	1	B						
24	62310	. Lever - Inlet	1	B						
25	62923A	. Spring - Inlet lever	1	B						
26	63038	. Valve - Inlet needle	1	B						
27	55690B	. Seal - Capillary	1	B						
28	63041	. Valve - Primer	1	B						
29	65868	. Set - Ball and seat	1	B						
30	66153	. . Seat	1	B						
31	61151	. . Ball	1	B						
32	65445	. Needle - Main fuel	1	B						
33	104001	. "O" Ring	1	B						
34	66512	. Body Assy - Carburetor	1	B						
35	59796	. . "O" Ring	1	B						
36	65724	. . Stud - Carburetor	1	B						
37	66158	. . Orifice - Air	1	B						
38	66569	. . Orifice - Fuel	1	B						
39	62288A	. . Bushing - Throttle shaft	1	B						
40	62368	. . Bushing - Throttle shaft	1	B						
41	67062	Seal - Carburetor stud	1	B						

MCCULLOCH DOUBLE NEEDLE CARBURETOR ADJUSTMENT

1. Turn Lo Speed screw counterclockwise until it no longer touches stop and butterfly can be completely closed.
2. Hold finger against closed butterfly and turn Lo Mix needle clockwise until butterfly starts to open. Turn the needle counterclockwise two and one half turns.
3. Hold finger against closed butterfly and turn Lo Speed screw clockwise until butterfly starts to open. Turn the screw clockwise one half turn more.
4. Turn Hi Mix needle clockwise until resistance is felt, then turn the needle counterclockwise two full turns.
5. Turn the Lo Mix needle to obtain smooth rapid acceleration every time without faltering. Check for smooth idle for all positions of the saw and readjust the Lo Mix needle if necessary.
6. Adjust Hi Mix needle for maximum power under load. Turn the needle in for leaner and out for richer mixture. Do not adjust the needle for leaner mixture than necessary to obtain smooth, even running under a cutting load.

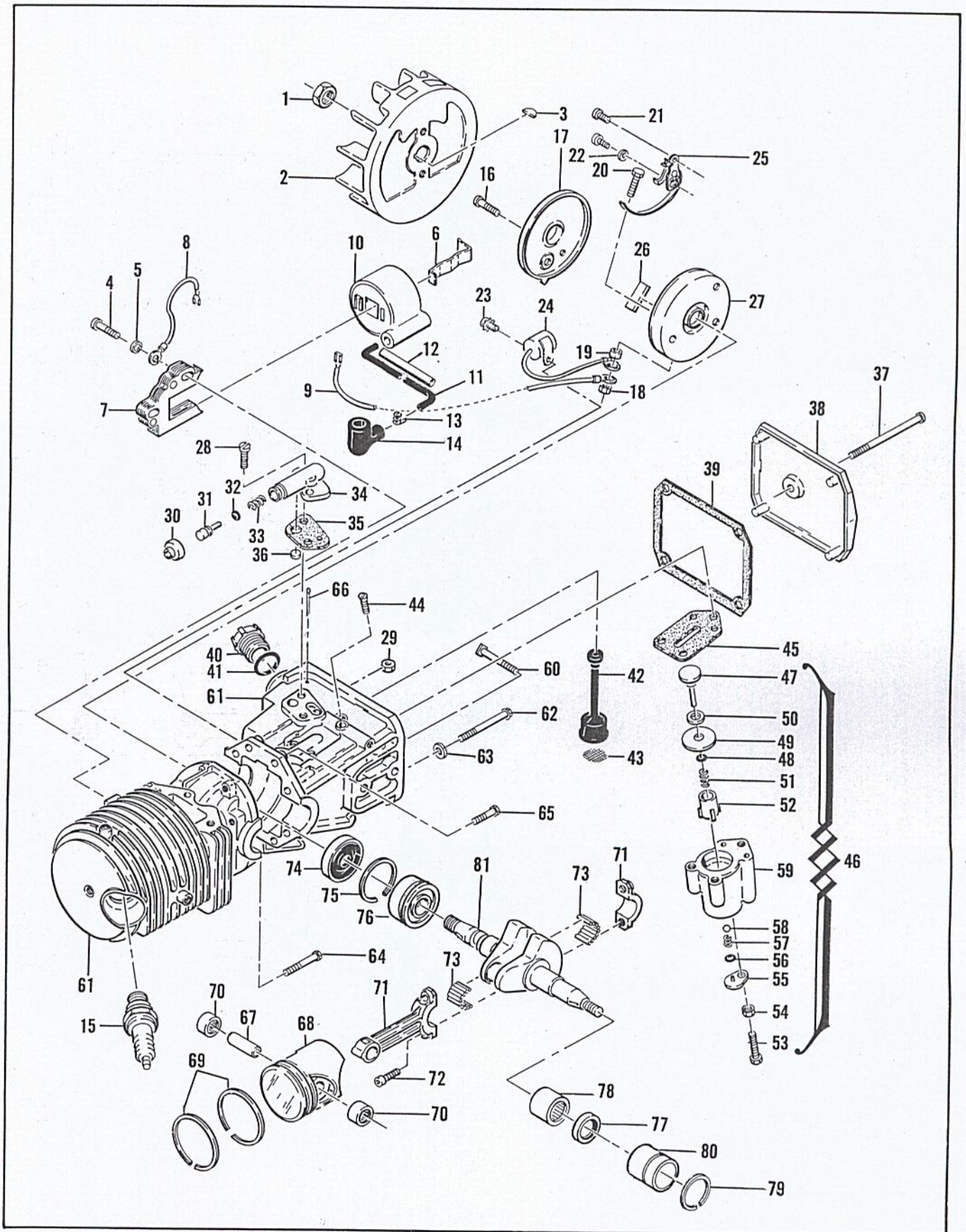


Figure 6. Powerhead Assembly

Figure 6. Powerhead Assembly

Index No.	Part Number	Description	Units Per Assy	Usable On Code						
MAC 4-10 Usable on Code										
<table border="1" style="margin-left: auto; margin-right: auto;"> <thead> <tr> <th>Letter</th> <th>A</th> <th>B</th> </tr> </thead> <tbody> <tr> <td>Serial Numbers</td> <td>Without Prefix</td> <td>Prefixed 1- & 2-</td> </tr> </tbody> </table>					Letter	A	B	Serial Numbers	Without Prefix	Prefixed 1- & 2-
Letter	A	B								
Serial Numbers	Without Prefix	Prefixed 1- & 2-								
1	101391	Nut - Hex 3/8-24	1	All						
2	61737A	Flywheel Assy	1	All						
3	103879	Key - Woodruff	1	All						
4	101965	Screw - Fil hd 10-24 x 7/8 (SEMS)	2	All						
5	100003	Washer - #10	2	All						
6	51253	Retainer - Coil	1	All						
7	68164	Lamination Assy	1	All						
8	62819	Wire Assy - Ground	1	All						
9	69344	Wire Assy - Primary	1	All						
10	69798	Kit - Coil & Terminal Assy	1	All						
11	69966	. Wire Assy - Spark plug	1	All						
12	67127	. Sleeve - Spark plug wire	1	All						
13	62932	. Connector	1	All						
14	62926	. Boot	1	All						
15	63432	Spark Plug - AC CS 42T	1	All						
16	110349	Screw - Rd hd 8-32 x 3/4	1	All						
17	62362	Cover - Breaker box	1	All						
18	100298	Nut - Hex 6-32	1	All						
19	62365	Spacer - Breaker screw	1	All						
20	110346	Screw - Hex hd 6-32 x 3/4	1	All						
21	100934	Screw - Rd hd 8-32 x 3/8	2	All						
22	105976	Washer - #8	1	All						
23	105249	Screw - Rd hd 8-32 x 3/8 (SEMS)	1	All						
24	61650	Condenser	1	All						
25	62363	Breaker Assy	1	All						
26	54184	Wiper - Cam	1	All						
27	62361	Box - Breaker	1	All						
28	110623	Screw - Fil hd 8-32 x 1/2	2	All						
29	100955	Nut - Hex 8-32	1	All						
30	62262	Cap - Oil pump	1	All						
31	62266	Plunger - Oil pump	1	All						
32	101056	"O" Ring	1	All						
33	66687	Spring - Oil pump	1	All						
34	62261A	Housing - Oil pump	1	All						
35	62230	Gasket - Oil pump	1	All						
36	62909	Valve - Oil pump	1	All						
37	110291	Screw - Pan hd 10-24 x 2-5/8	1	All						
38	63072	Cover - Oil tank	1	All						
39	62116	Gasket - Oil tank cover	1	All						
40	57129A	Cap - Oil	1	All						
41	101148	"O" Ring	1	All						
42	62123B	Hose Assy - Oil	1	All						
43	51506	. Screen - Oil hose	1	All						
44	110333	Screw - Oval hd 8-32 x 1/2	3	All						
45	62274	Gasket - Pulse pump	1	All						
46	83134	Pulse Pump Assy	1	All						
47	60260A	. Piston Assy - Pulse oiler	1	All						
48	104159	. "O" Ring	1	All						
49	60263	. Ring - Piston oiler	1	All						
50	60937	. Washer - Teflon	1	All						
51	60259	. Spring - Piston	1	All						
52	62227	. Sleeve - Adjustment	1	All						
53	110386	. Screw - Hex hd 8-32 x 1	1	All						
54	100251	. Nut - Hex 8-32	1	All						
55	63858	. Cover - Outlet valve	1	All						

This list continued on next page

Figure 6. Powerhead Assembly (Cont.)

Item No.	Part Number	Description	Units Per Assy	Usable On Code
56	106104	. "O" Ring	1	All
57	62885A	. Spring - Outlet valve	1	All
58	102809	. Ball - 3/32 in. dia.	1	All
59	83128	. Body Assy - Pulse pump	1	All
60	62065	Bolt - Bar mounting	2	All
61	63294	Crankcase Assy	1	All
62	62105	. Screw Assy - Sealing	4	All
63	62842	. Washer - Sealing	4	All
64	110289	. Screw Assy - Hex hd 8-32 x 1-1/8	1	All
65	110288	. Screw Assy - Hex hd 8-32 x 3/4	3	All
66	100010	. Pin - Cotter	1	All
67	65389	Pin - Piston	1	All
68	69412	Piston Assy	1	All
69	63290	. Ring Set - Piston	1	All
70	103085	. Bearing - Needle	2	All
71	65401	Connecting Rod Assy	1	All
72	61627A	. Screw - Skt hd Special	2	All
73	63225	. Roller - Needle (set of 20)	1	All
74	65746	Seal - Oil	1	All
75	63464	Ring - Snap	1	All
76	63429B	Bearing - Ball	1	All
77	110260	Seal - Oil	1	All
78	104357	Bearing - Needle	1	All
79	63699	Ring - Snap	1	All
80	63701	Sleeve - Bearing insert	1	All
81	63336	Crankshaft	1	All

Accessories

Item No.	Part Number	Description	Units Per Assy	Usable On Code
69413		Piston Assy 0.020 in. oversize		
63291		. Ring Set - Piston 0.020 in. oversize		
103512		. Bearing - Needle (2)		
69414		Piston Assy 0.030 in. oversize		
63292		. Ring Set - Piston 0.030 in. oversize		
65532		Kit - Reed spark arrester		
63341A		Kit - Spike		
69058		Kit - Wrap-around frame		
69191		Kit - Pressure test adapter		
65325		Baffle - Spark arrester alternate		
65712		Guide - Timing		
63746		Scrench		
62827		Wrench - Combination		
63097		Spark Plug - AC CS 45T		
65778		Spark Plug - AC CS 41T		