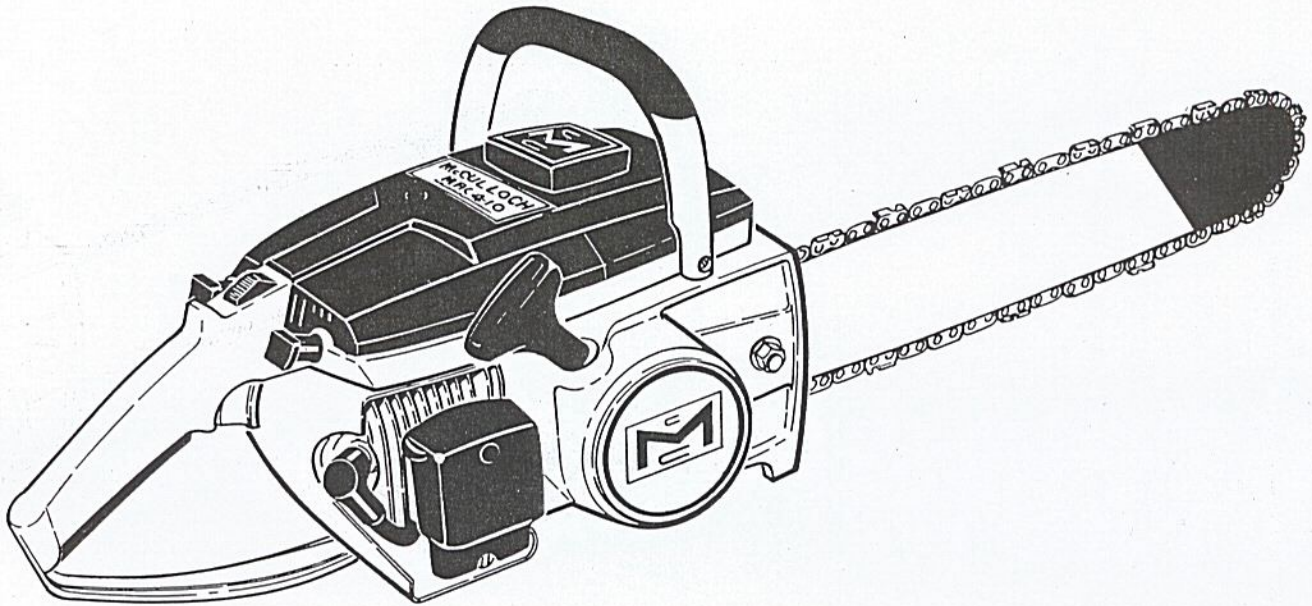


ILLUSTRATED PARTS LIST

APRIL 1966



The following pages contain an illustrated parts list for the MAC 4-10 Chain Saw. Due to small differences between saws, it is important that the Serial Number of your saw be included whenever spare parts are ordered.

The policy of McCulloch Corporation is one of continual improvement in design, manufacturing and engineering advancement wherever possible to assure still finer two-cycle power tools. Hence, specifications, equipment, colors, design and manufacturer's suggested list prices are subject to change without notice and McCulloch Corporation reserves the right to make such changes without prior notification or obligation to backfit or supply backfit components for units previously shipped from the factory.

	Page
Figure 1. Engine Exploded View - General	2
Figure 2. Clutch Guard and Starter Assembly	4
Figure 3. Fuel Tank Assembly	4
Figure 4. Carburetor Assembly	6
Figure 5. Powerhead Assembly	8
Figure 6. Bar and Chain Assembly	10

McCULLOCH CORPORATION

6101 West Century Boulevard, Los Angeles, California 90045

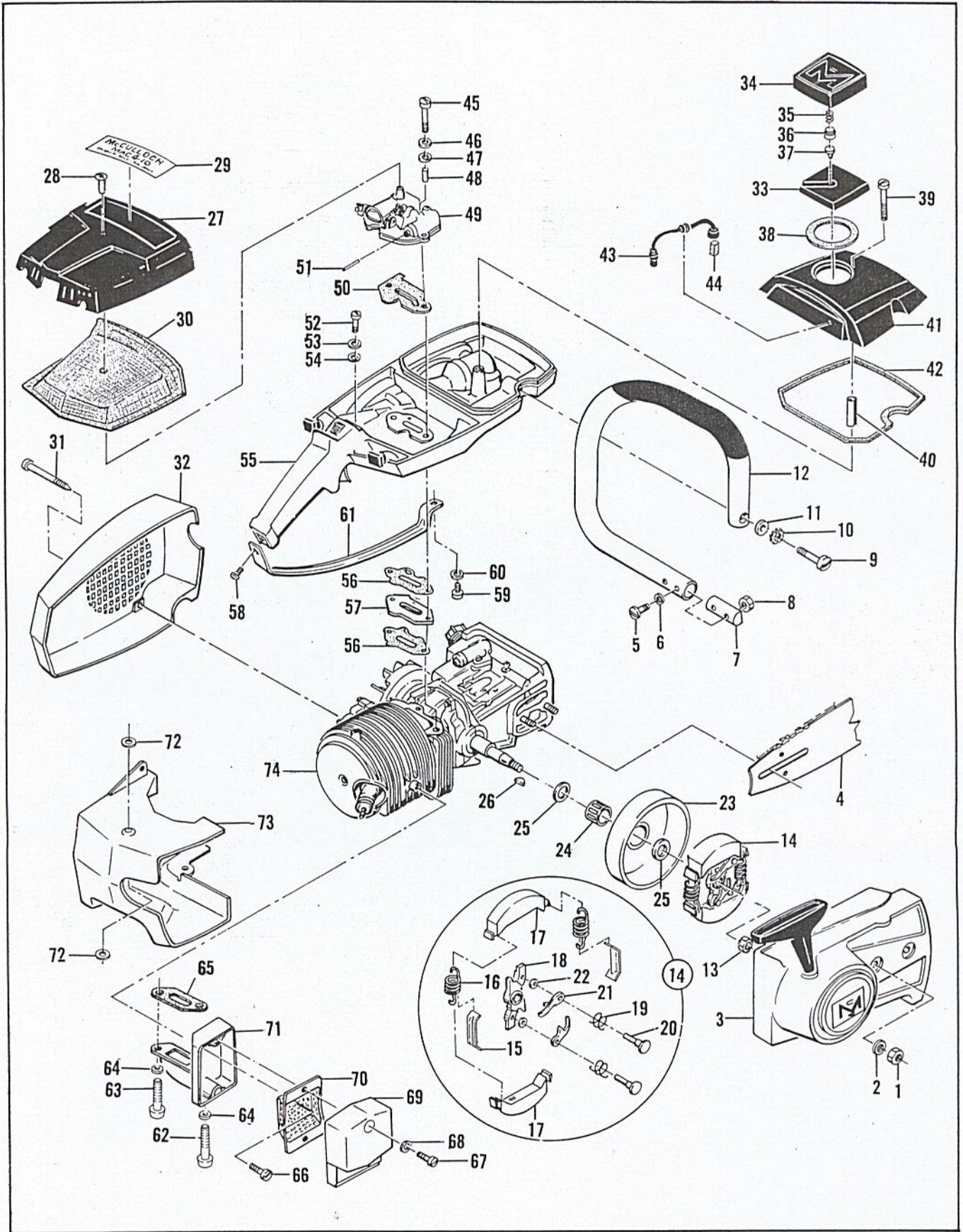


Figure 1. Engine Exploded View - General

FIGURE 1. ENGINE EXPLODED VIEW-GENERAL

Index No.	Part Number	Nomenclature	Units Per Assy
1	101357	Nut - Hex 5/16-24	2
2	100440	Washer - 5/16 Plain	2
3		Clutch Guard and Starter Assy (see Figure 2)	1
4		Bar and Chain Assy (see Figure 6)	1
5	102761	Screw - Hex hd 10-24 x 7/8 in. lg.	2
6	100352	Washer - #10	2
7	61678	Plug - Nut retainer	1
8	101326	Nut - Hex 10-24	2
9	105187	Screw - Skt hd 1/4-20 x 1-1/8 in. lg.	1
10	105043	Lockwasher - 1/4 in.	1
11	100004	Washer - Plain 1/4 in.	1
12	63884	Frame and Grip Assy	1
13	110350	Nut - Hex 5/16-24 (used with crankshaft #61616)	1
	103746	Nut - Hex 3/8-24 (used with crankshaft #63336)	1
14	62325D	Clutch Assy	1
15	64583	. Retainer - Clutch spring	2
16	63999	. Spring - Clutch	2
17	62198B	. Shoe - Clutch	2
18	62326D	. Rotor Assy - Clutch	1
19	62328	. . Spring - Pawl	2
20	62202B	. . Rivet - Pawl	2
21	62199A	. . Pawl - Starter	2
22	62314	. . Washer - Special	2
	62572B	Kit - Sprocket, Drum and Bearing Assy	1
23	62562B	. Sprocket and Drum Assy (7-tooth spkt)	1
24	110330	. Bearing - Sprocket drum	1
25	61692	. Shim - Sprocket	2
26	103879	Key - Woodruff	1
27	63293	Cover Assy - Air cleaner	1
28	63924	. Nut - Air cleaner cover	1
29	63276	Nameplate - MAC 4-10	1
30	62077	Screen - Air cleaner	1
31	62978	Screw - Special	3
32	63073	Fan Housing	1
33	61721C	Cap Assy - Fuel	1
34	61720	. Cover - Fuel cap	1
35	63040	. Spring	1
36	62316	. Guide - Spring	1
37	63041	. Valve	1
38	61722C	. Gasket	1
39	110402	Screw - Oval hd 12-24 x 2-3/8 in. lg.	1
40	63270	Spacer	1
41	64854	Cover - Fuel tank (with 0.340-inch dia. hose port)	1
	63288	Cover - Fuel tank (with 0.415-inch dia. hose port)	1
42	62102	Gasket - Fuel tank cover	1
43	63935	Hose Assy - Fuel (for use with Fuel Tank Cover #63218)	1
	64848	Hose Assy - Fuel (for use with Fuel Tank Cover #63288)	1
44	63932	. Filter - Fuel	1
45	102765	Screw - Hex hd 10-24 x 1-3/4 in. lg.	2
46	100352	Washer - #10 Plain	2
47	63325	Washer - Insulator	2
48	63733	Sleeve - Insulator	2
49	63305B	Carburetor Assy (see Figure 4)	1
50	63304A	Gasket - Carburetor	1
51	62066A	Rod - Primer	1
52	110423	Screw - Hex hd 10-24 x 1-1/8 in. lg.	1
53	100352	Washer - #10 Plain	1
54	63325	Washer - Insulator	1
55	63297	Fuel Tank Assy (see Figure 3)	1
56	63303A	Gasket - Fuel tank	2
57	63258A	Insulator - Fuel tank	1
58	110353	Screw - Oval hd 10-24 x 3/8 in. lg.	1
59	102388	Screw - Hex hd 10-24 x 5/8 in. lg.	1
60	100352	Washer - #10 Plain	1
61	63070	Brace - Handle	1

This list is continued on page 5

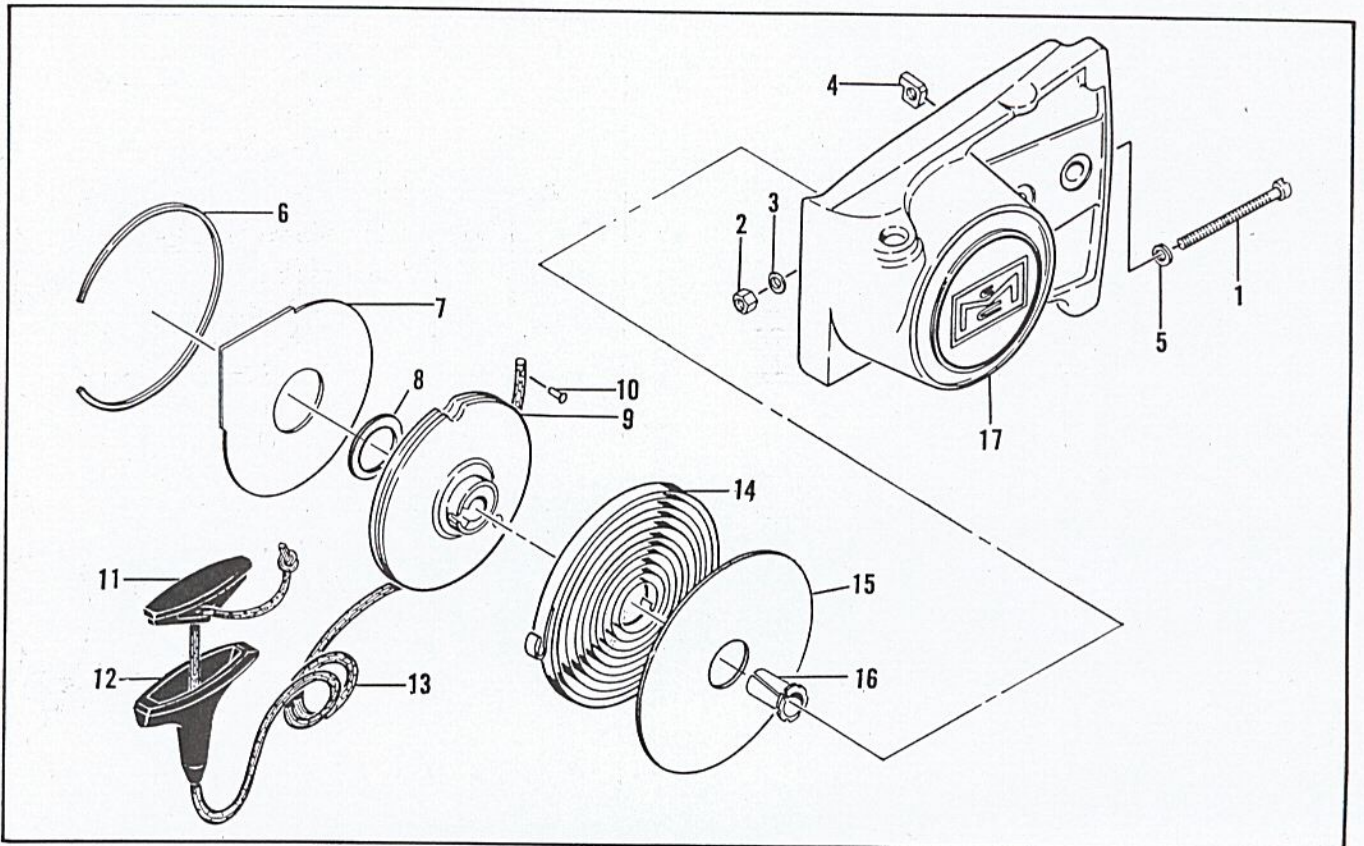


Figure 2. Clutch Guard and Starter Assembly

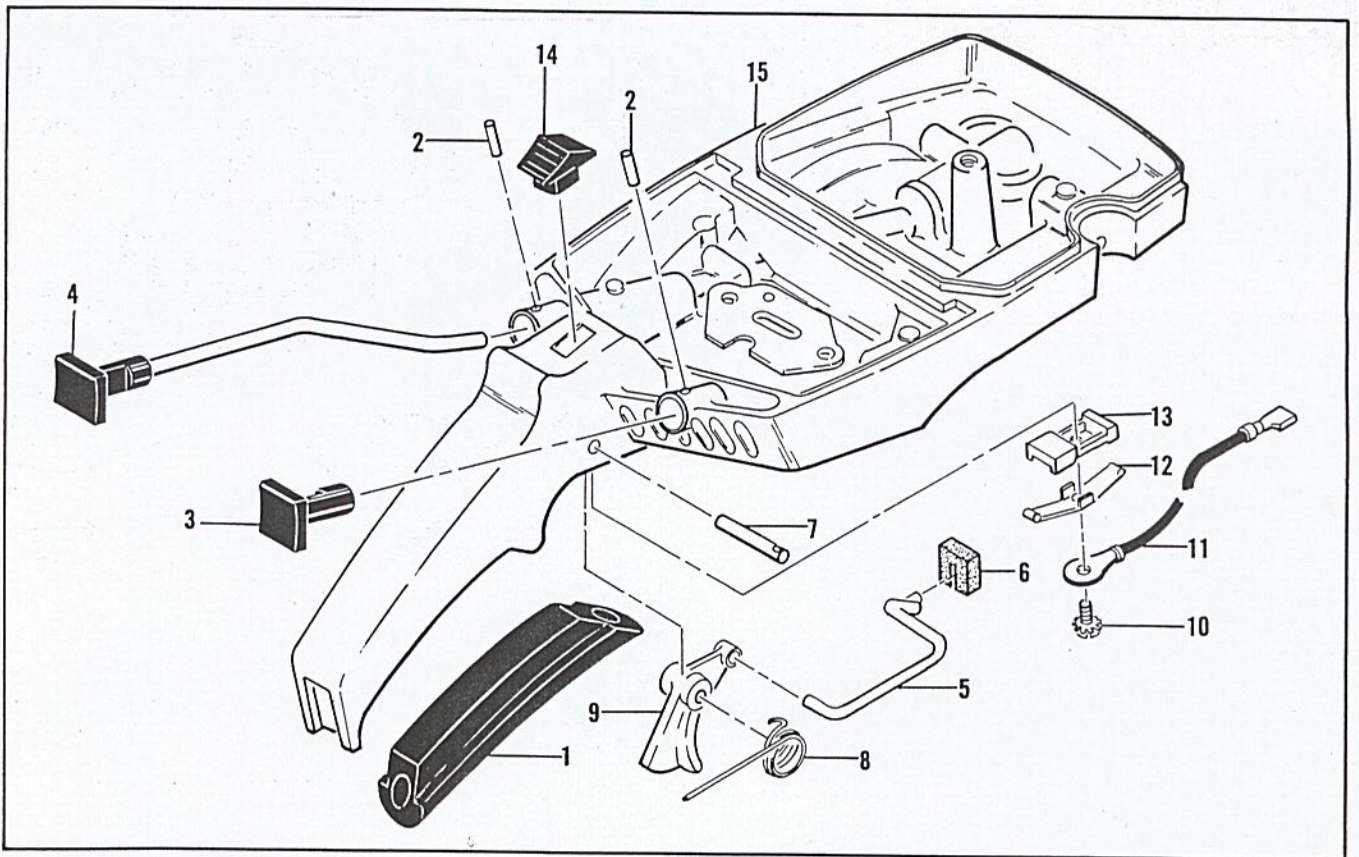


Figure 3. Fuel Tank Assembly

FIGURE 1. ENGINE EXPLODED VIEW-GENERAL (CONT.)

Index No.	Part Number	Nomenclature	Units Per Assy
62	104534	Screw - Skt hd 10-24 x 1-3/8 in. lg.	1
63	104849	Screw - Skt hd 10-24 x .520 in. lg.	1
64	110264	Washer - Plain #10	2
65	63748	Gasket - Spark arrester	1
66	110341	Screw - Hex hd 10-24 x 1/2 in. lg.	1
	62366B	Kit - Spark Arrester	1
67	101284	. Screw - Fil hd 10-24 x 1-1/8 in. lg. (SEMS)	2
68	110264	. Washer - Special	2
69	62380	. Cover Assy - Spark arrester	1
70	62379A	. Baffle - Spark arrester	1
71	63364	. Body and Duct Assy - Spark arrester	1
72	63993	Insulator - Shroud	2
73	63289	Shroud - Cylinder	1
74		Powerhead Assy (see Figure 5)	1

FIGURE 2. CLUTCH GUARD AND STARTER ASSEMBLY

Index No.	Part Number	Nomenclature	Units Per Assy
	63075B	Clutch Guard Assy	1
1	102144	. Screw - Bar adjusting	1
2	102067	. Nut - Hex #10 lock	1
3	110387	. Washer - Wave	1
4	61705	. Nut - Bar adjusting	1
5	101174	. Washer - #10	1
6	62371	. Retainer - Shield	1
7	63985	. Shield - Dust	1
8	63986	. Washer - Thrust	1
9	62179A	. Drum - Starter	1
10	101136	. Rivet - Starter rope	1
11	62191A	. Insert - Starter rope	1
12	62190A	. Handle - Starter	1
13	59952A	. Rope - Starter	1
14	36059	. Spring - Starter rewind	1
15	63987	. Shield - Starter spring	1
16	61635A	. Bushing - Nyliner	1
17	63071B	. Guard - Clutch	1

FIGURE 3. FUEL TANK ASSEMBLY

Index No.	Part Number	Nomenclature	Units Per Assy
	63297	Tank Assy - Fuel	1
1	63382	. Grip - Handle	1
2	105673	. Roll Pin - 3/32 x 9/16 in.	2
3	63045	. Button - Primer	1
4	63809	. Button and Rod Assy - Oiler	1
5	62970C	. Rod - Throttle	1
6	61696	. Seal - Throttle rod	1
7	110378	. Roll Pin - 3/16 x 15/16 in.	1
8	59598	. Spring - Throttle return	1
9	62949	. Trigger - Throttle	1
10	103672	. Screw - Fil hd 8-32 x 1/2 in. lg. (SEMS)	1
11	62973A	. Wire Assy - Stop switch	1
12	62451	. Contact - Ignition switch	1
13	62950A	. Base - Ignition switch	1
14	62951	. Button - Ignition switch	1
15		. Tank - Fuel. (Order Fuel Tank Assy #63297)	1

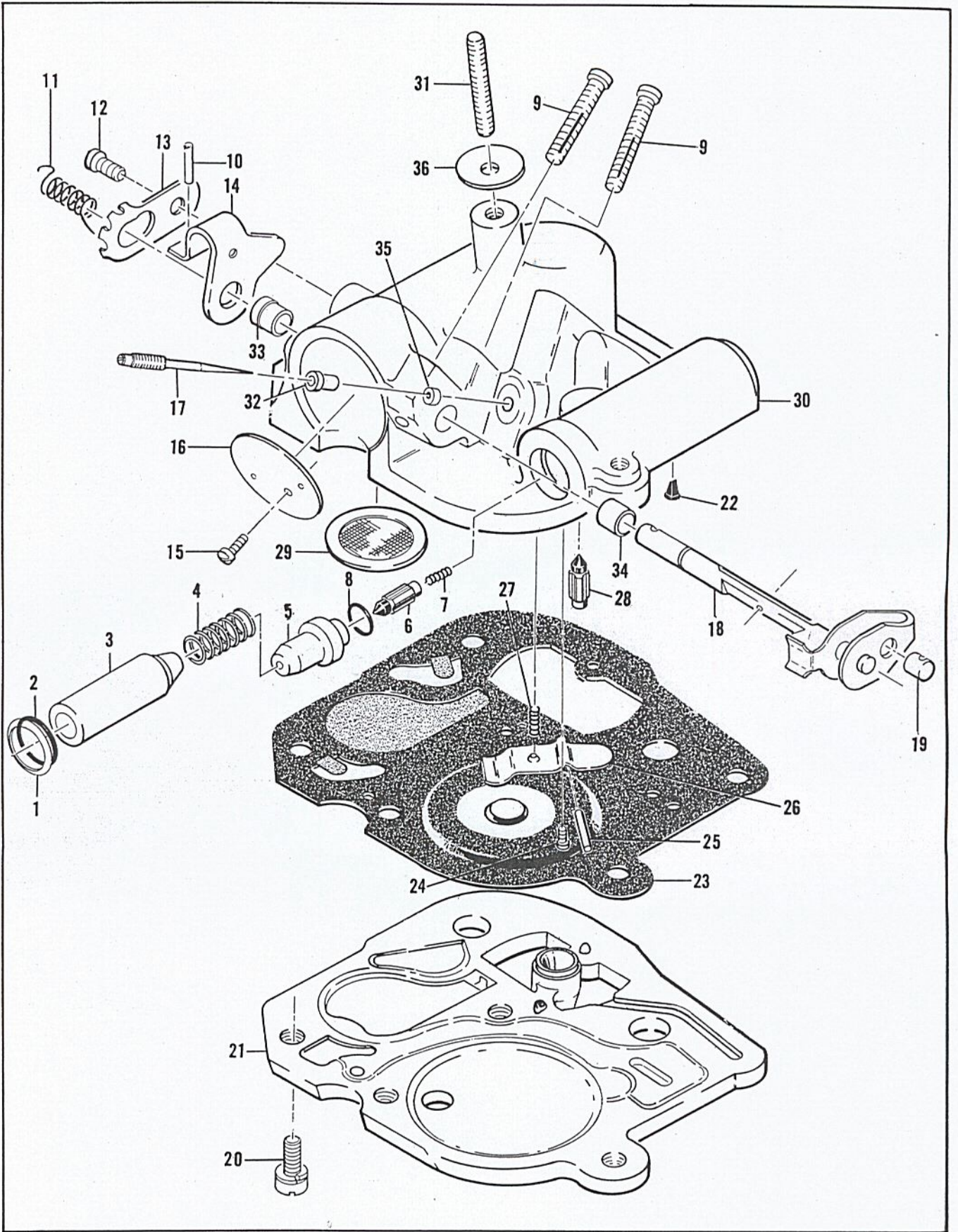


Figure 4. Carburetor Assembly

FIGURE 4. CARBURETOR ASSEMBLY

Index No.	Part Number	Nomenclature	Units Per Assy
	63305B	Carburetor Assy	1
1	63334	. Retainer	1
2	110351	. "O" Ring	1
3	62308A	. Plunger - Primer	1
4	11086	. Spring - Plunger	1
5	63037	. Seat - Primer valve	1
6	63038	. Valve - Primer needle	1
7	63039	. Spring - Needle valve	1
8	101056	. "O" Ring	1
9	62971	. Screw - Long locking adjustment	2
10	104443	. Roll Pin - .062 x 3/8 in.	1
11	62939A	. Spring - Idle governor	1
12	103934	. Screw - Pan hd 6-32 x 1/4 in. lg.	1
13	62938	. Clip - Throttle shaft	1
14	62343A	. Lever - Throttle	1
15	104814	. Screw - Pan hd 4-40 x 1/4 in. lg. (SEMS)	1
16	62290A	. Plate - Throttle	1
17	63857	. Needle - Metering	1
18	62291A	. Shaft Assy - Throttle	1
19	62975	. Swivel - Needle	1
20	110397	. Screw - Pan hd 8-32 x 7/16 in. lg. (SEMS)	4
21	63283A	. Plate Assy - Carburetor base	1
22	63041	. Valve - Primer	1
23	63308	. Diaphragm Assy - Pump	1
24	110363	. Screw - 6-32 x 1/4 in. lg.	1
25	110337	. Pin - Inlet lever	1
26	62310	. Lever - Inlet	1
27	62923A	. Spring - Inlet lever	1
28	63038	. Valve - Inlet needle	1
29	55690B	. Seal - Capillary	1
30	63296B	. Body Assy - Carburetor	1
31	63923 A	. Stud - Carburetor	1
32	63996	. Orifice - Air	1
33	62288A	. Bushing - Throttle shaft	1
34	62368	. Bushing - Throttle shaft	1
35	63813	. Orifice - Fuel	1
36	62435	Seal - Air cleaner stud	1

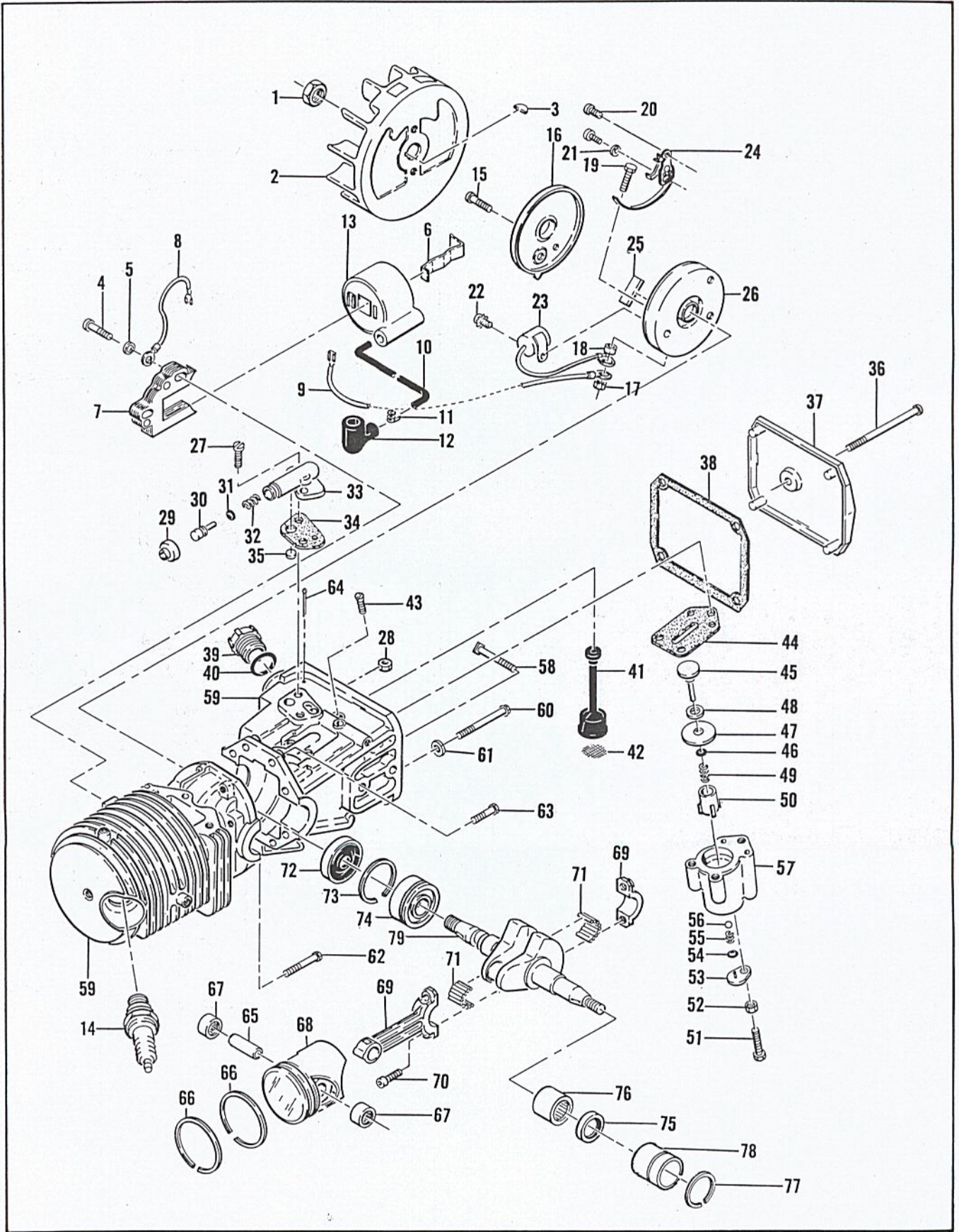


Figure 5. Powerhead Assembly

FIGURE 5. POWERHEAD ASSEMBLY

Index No.	Part Number	Nomenclature	Units Per Assy
1	101391	Nut - Hex 3/8-24	1
2	61737A	Flywheel Assy.	1
3	103879	Key - Flywheel	1
4	101965	Screw - Fil hd 10-24 x 7/8 in. lg. (SEMS)	2
5	100003	Washer - #10 Plain	2
6	51253	Retainer - Coil	1
7	62741	Lamination Assy	1
8	62819	Wire Assy - Ground	1
9	62818	Wire Assy - Primary	1
	63888	Coil and Terminal Assy	1
10	63886	. Wire Assy - Spark plug	1
11	62932	. . Connector	1
12	62926	. . Boot	1
13		. Coil Assy (Order Coil & Terminal Assy, #63888)	1
14	63432	Spark Plug (Packaged)	1
15	110349	Screw - Rd hd 8-32 x 3/4 in. lg.	1
16	62362	Cover - Breaker box	1
17	100298	Nut - Hex 6-32	1
18	62365	Spacer - Breaker screw	1
19	110346	Screw - Hex hd 6-32 x 3/4 in. lg.	1
20	100934	Screw - Rd hd 8-32 x 3/8 in. lg.	2
21	105976	Washer	1
22	105249	Screw - Rd hd 8-32 x 3/8 in. lg. (SEMS)	1
23	61650	Condenser	1
24	62363	Breaker Assy	1
25	54184	Wiper - Cam.	1
26	62361	Box - Breaker	1
27	100414	Screw - 8-32 x 1/2 in. lg.	2
28	100955	Nut - Hex 8-32	1
	62319A	Pump Assy - Oil	1
29	62262	. Cap - Oil pump	1
30	62266	. Plunger - Oil pump	1
31	101056	. "O" Ring	1
32	59934	. Spring - Oil pump	1
33		. Housing - Oil pump (Order Pump Assy #62319A)	1
34	62230	Gasket - Oil pump	1
35	62909	Valve - Oil pump	1
36	110291	Screw - Pan hd 10-24 x 2-3/4 in. lg.	1
37	63072	Cover - Oil tank	1
38	62116	Gasket - Oil tank cover.	1
39	57129A	Cap - Oil	1
40	101148	"O" Ring	1
41	62123B	Hose Assy - Oil.	1
42	51506	. Screen - Oil hose.	1
43	110333	Screw - Oval hd 8-32 x 1/2 in. lg.	3
44	62274	Gasket - Pulse pump	1
	62320B	Pulse Pump Assy.	1
45	60260A	. Piston Assy - Pulse oiler	1
46	101758	. "O" Ring	1
47	60263	. Ring - Piston oiler.	1
48	60937	. Washer - Teflon	1
49	60259	. Spring - Piston oiler	1
50	62227	. Sleeve - Oiler adjustment	1
51	110386	. Screw - Hex hd 8-32 x 1 in. lg.	1
52	100251	. Nut - Hex 8-32	1
53	63858	. Cover Assy - Outlet valve	1
54	103195	. "O" Ring	1
55	62885A	. Spring - Outlet valve	1
56	102809	. Ball - 3/32 in. dia.	1
57	62321A	. Body Assy - Pulse pump	1
58	62065	Bolt - Bar mounting.	2

This list is continued on page 11

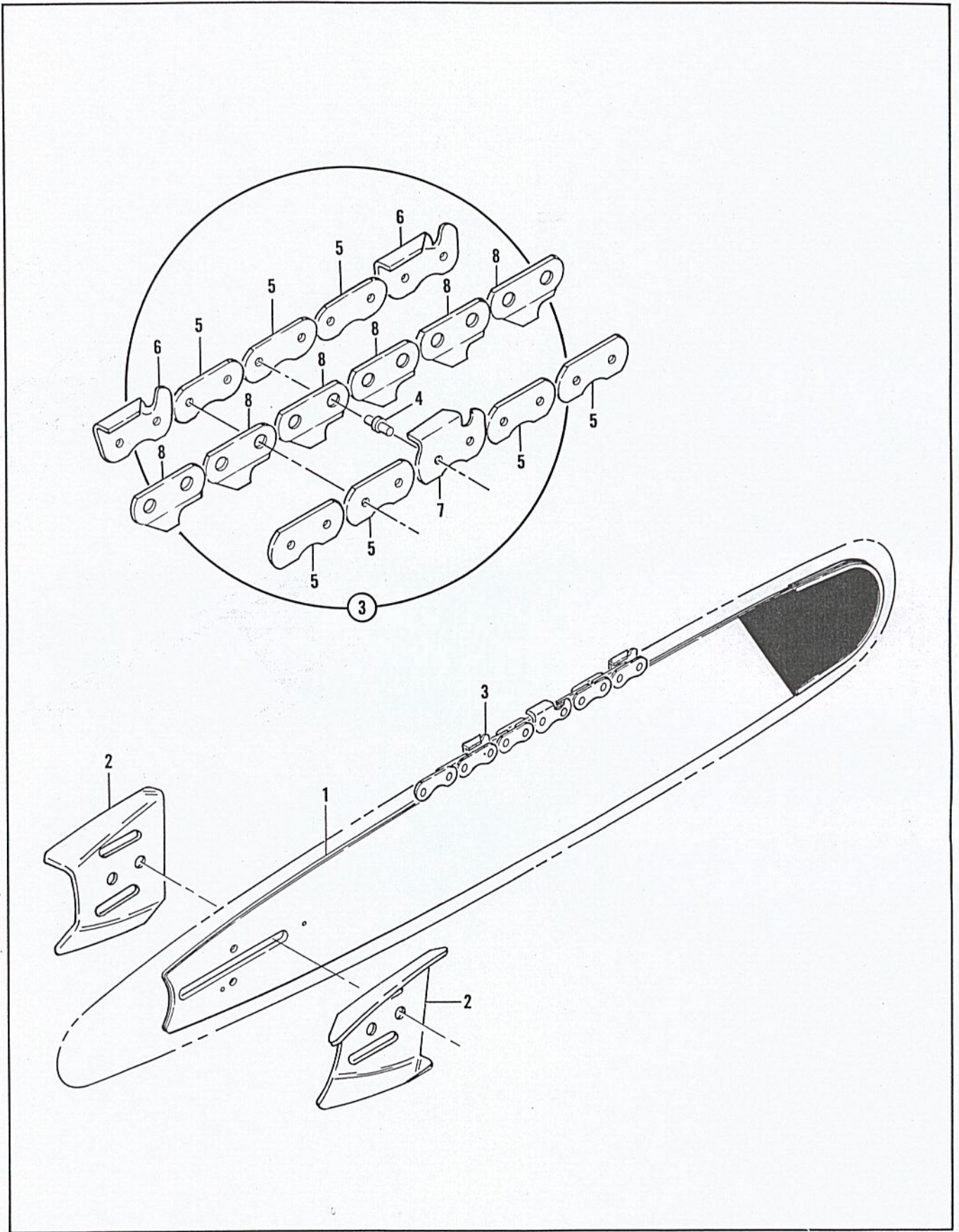


Figure 6. Bar and Chain Assembly

FIGURE 5. POWERHEAD ASSEMBLY (CONT.)

Index No.	Part	Nomenclature	Units Per Assy
59	63294	Cylinder - Crankcase Assy	1
60	62105	. Screw Assy - Sealing	4
61	62842	. . Washer - Sealing	4
62	110289	. Screw Assy - 8-32 x 1-1/8 in. lg.	1
63	110288	. Screw Assy - 8-32 x 3/4 in. lg.	3
64	100010	. Cotter Pin - 1/16 x 1/2 in. lg.	1
65	62922A	Pin - Piston	1
	63287	Piston Assy	1
66	63290	. Ring Set - Piston	1
67	103085	. Bearing - Needle	2
68		. Piston (Order Piston Assy #63287)	1
69	64655	Connecting Rod Assy	1
70	61627	. Screw - Socket hd 8-36 x 1/2 in. lg.	2
71	63225	. Roller - Needle (set of 20)	1
72	61618	Oil Seal	1
73	63464	Ring - Snap.	1
74	63429	Bearing - Ball.	1
75	110260	Oil Seal	1
76	104357	Bearing - Needle	1
77	63699	Ring - Snap.	1
78	63701	Sleeve - Bearing (insert).	1
79	61616	Crankshaft (with 5/16 inch thread, clutch end)	1
	63336	Crankshaft (with 3/8 inch thread, clutch end)	1

FIGURE 6. BAR AND CHAIN ASSEMBLIES

Index No.	Part Number	Nomenclature
1	62685	Series 10 Bonded Bar 24 in. (Includes Set of Bar Protector Plates #62672)
	62682	Series 10 Bonded Bar 20 in. (Includes Set of Bar Protector Plates #62672)
	62512	Series 10 Bonded Bar 16 in.
	62532	Series 10 Bonded Bar 12 in.
	63547	Series 10 Solid Bar 28 in. (Includes Set of Bar Protector Plates #62672)
	63543	Series 10 Solid Bar 24 in. (Includes Set of Bar Protector Plates #62672)
	63542	Series 10 Solid Bar 20 in. (Includes Set of Bar Protector Plates #62672)
	63541	Series 10 Solid Bar 16 in.
2	64330	Bar Protector Plate (Set of 2) (Accessory Item)
3	64078	Chain Assy - Continuous (28 in. Bar)
	64076	Chain Assy - Continuous (24 in. Bar)
	62645	Chain Assy - Continuous (20 in. Bar)
	62556	Chain Assy - Continuous (16 in. Bar)
	62555	Chain Assy - Continuous (12 in. Bar)
4		. Rivet
5		. Side Link
6		. Cutter - L.H.
7		. Cutter - R.H.
8		. Center Link

MAC 4-10

P/N 63100



TOOLS AND ACCESSORIES

Part Number	Nomenclature
63970	Owner's Manual
62827	Wrench - Screwdriver combination
63341A	Kit - Spike, 4-tooth
63233	Piston Assy - 0.020 in. oversize
63291	. Ring Set - Piston 0.020 in. oversize
103512	. Bearing - Needle (2)
63234	Piston Assy - 0.030 in. oversize
63292	. Ring Set - Piston 0.030 in. oversize
103512	. Bearing - Needle (2)

