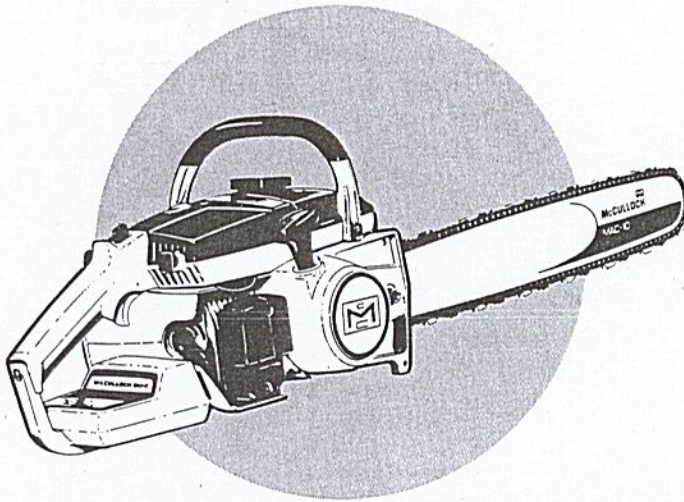


MASTER ILLUSTRATED PARTS LIST

MAC 3-10E Chain Saw



May 1970

CONTENTS

	Page
Figure 1. General	2
Figure 2. Clutch Guard and Starter Assembly.	6
Figure 3. Fuel Tank Assembly	6
Figure 4. Fuel Tank Assembly	8
Figure 5. Carburetor	10
Figure 6. Carburetor	12
Figure 7. Carburetor	14
Figure 8. Electrical Components	16
Figure 9. Powerhead Assembly	18

The policy of McCulloch Corporation is one of continual improvement in design, manufacturing and engineering advancement wherever possible to assure still finer two-cycle power tools. Hence, specifications, equipment, colors, design and manufacturer's suggested list prices are subject to change without notice and McCulloch Corporation reserves the right to make such changes without prior notification or obligation to backfit or supply backfit components for units previously shipped from the factory.

This Master Illustrated Parts List gives the name, number and interchangeability between engines, of service and replacement parts which were used on or are presently available for all MAC 3-10E chain saws manufactured to date.

Information about the List and how to use it will be found on the back cover.
Read the information before you start to use the List.

 **McCULLOCH**

Copyright 1970 U.S.A. -
McCulloch Corporation

P/N 84481

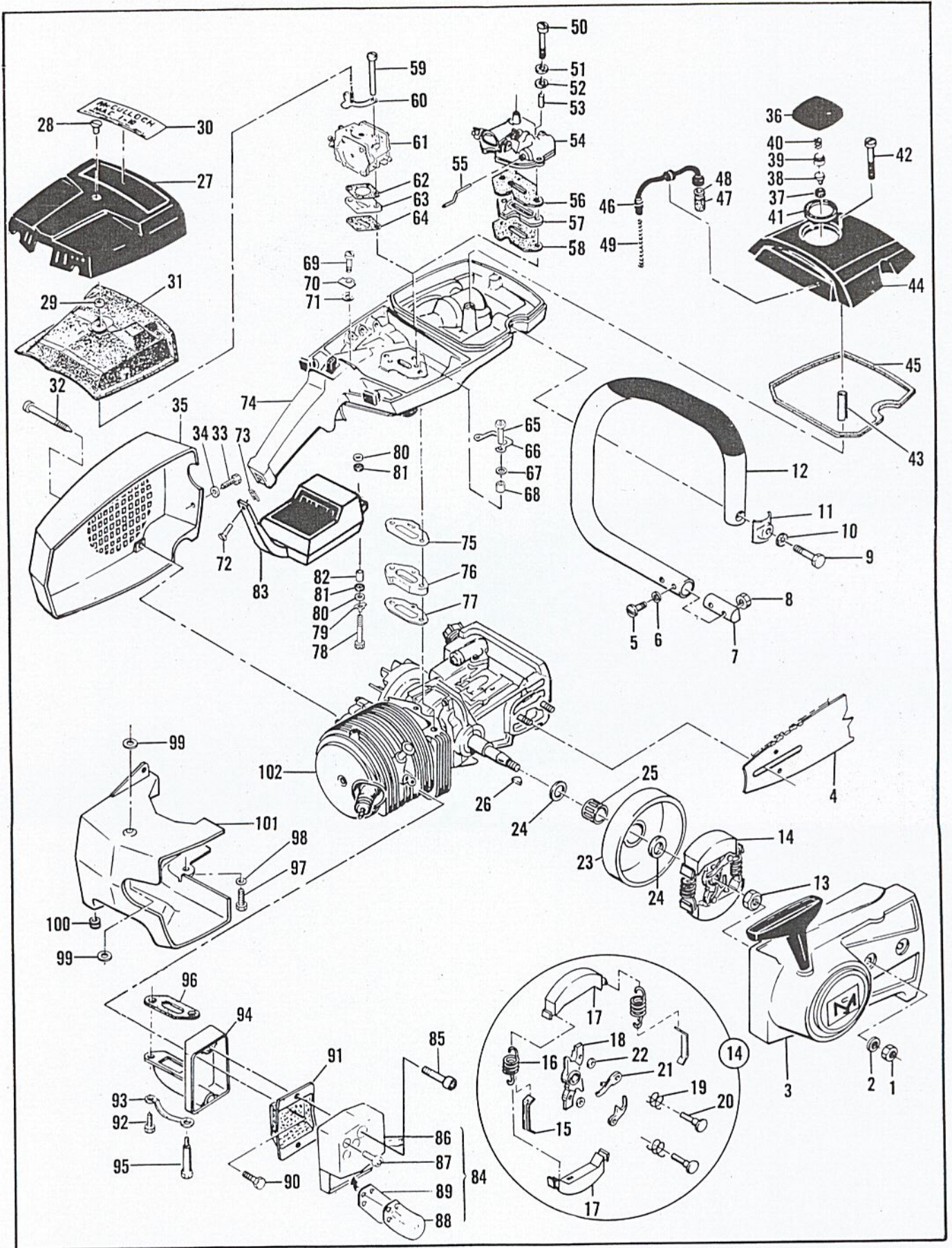


Figure 1. General

FIGURE 1. GENERAL

Item No.	Part Number	Description	Units Per Assy	Usable On Code		
MAC 3-10E Usable on Code						
	Letter	A	B	C	D	E
	Serial Numbers	Without Prefix	Prefixed 1-	Prefixed 2-	Prefixed 3-	Prefixed 12-
1	110454	Nut - Hex 5/16-24	2	All		
2	100440	Washer - 5/16	2	All		
3		Clutch Guard Assy (see Figure 2)		All		
4		Bar and Chain Assy (see Figure)		All		
5	102761	Screw - Hex hd 10-24 x 7/8	2	All		
6	100352	Washer - #10	2	All		
7	61678	Plug - Nut retainer	1	All		
8	101326	Nut - Hex 10-24	2	All		
9	105187	Screw - Skt hd 1/4-20 x 1-1/8	1	A,B,C,D		
	102130	Screw - Hex hd 1/4-20 x 1-1/2	1	E		
10	105043	Lockwasher - 1/4	1	B,C,D		
	100153	Lockwasher - 1/4	1	E		
11	100004	Washer - 1/4	1	A,B,C,D		
	63484	Clamp	1	E		
12	67372	Frame and Grip Assy	1	A,B,C,D		
	66315	Frame and Grip Assy	1	E		
13	103746	Nut - Hex 3/8-24	1	All		
14	67148	Clutch Assy	1	All		
15	64583	. Retainer - Clutch spring	2	All		
16	63999	. Spring - Clutch	2	A,B,C,D		
	66384	. Spring - Clutch	2	E		
17	67233	. Shoe - Clutch	2	All		
18	67149	. Rotor Assy - Clutch	1	All		
19	68837	. Spring - Pawl	2	All		
20	67112	. Rivet - Pawl	2	All		
21	64857	. Pawl - Starter	2	All		
22	65473	. Washer - Special	2	All		
23	65370	Kit - Sprocket and Drum Assy	1	All		
24	61692	. Shim - Sprocket	2	All		
25	110330	Bearing - Sprocket	1	All		
26	103879	Key - Woodruff	1	All		
27	62117	Cover Assy - Air cleaner	1	A		
	65866	Cover Assy - Air cleaner	1	B,C,D		
	66597	Cover Assy - Air cleaner	1	E		
28	62434	. Nut - Cover	1	A		
	65813	. Nut - Cover	1	B,C,D		
	66290	. Nut - Cover	1	E		
29	66665	. Spacer - Nut	1	E		
30	65460	Nameplate	1	A,B,C,D		
	67436	Nameplate	1	E		
31	62077	Screen - Air filter	1	A		
	66774	Screen - Air filter	1	B,C,D		
	68520	Screen - Air filter	1	E		
32	64626	Screw - Special	3	All		
33	105348	Screw - Hex hd 10-24 x 1/2 (SEMS)	1	E		
34	110264	Washer - #10	1	E		
35	67297	Housing - Fan	1	All		
36	68531	Cap Assy - Fuel	1	All		
37	68533	. Plug	1	All		
38	63041	. Valve	1	All		
39	62316	. Guide	1	All		
40	63040	. Spring	1	All		
41	69767	. Gasket	1	All		
42	110334	Screw - Oval hd 12-24 x 1-3/4	1	A,B,C,D		
	110402	Screw - Oval hd 12-24 x 2-3/8	1	E		

This list is continued on next page

FIGURE 1. GENERAL (CONT.)

Item No.	Part Number	Description	Units Per Assy	Usable On Code
43	69686	Spacer - Screw	1	E
44	63656	Cover - Fuel tank	1	A,B,C,D
	63288	Cover - Fuel tank	1	E
45	69345	Gasket - Cover	1	All
46	64848	Hose Assy - Fuel	1	All
47	63932	. Filter - Fuel	1	All
48	100440	. Washer	1	E
49	67944	Spring - Hose stiffener	2	A
50	103355	Screw - Hex hd 10-24 x 1-7/8	2	B,C,D
	103124	Screw - Hex hd 10-24 x 2	2	A,B,C,D
51	64856	Washer - Special	2	A,B,C,D
52	68203	Washer - Insulator	2	A
53	62327A	Sleeve - Insulator	2	B,C,D
	65726	Sleeve - Insulator	2	A
54		Carburetor Assy (see Figure 5)		B,C,D
		Carburetor Assy (see Figure 6)		A
55	62066A	Rod - Primer	1	B,C,D
	65604	Rod - Primer	1	A,B,C,D
56	65672	Gasket - Carburetor	1	B,C,D
57	65821	Insulator - Carburetor	1	B,C,D
58	65672	Gasket - Insulator	2	E
59	110551	Screw - Hex hd 10-24 x 2-1/8	1	E
60	66681	Bracket Assy	1	E
61		Carburetor Assy (see Figure 7)	1	E
62	68132	Gasket - Carburetor	1	E
63	66678	Spacer - Carburetor	1	E
64	68131	Gasket - Spacer	2	E
65	110553	Screw - Hex hd 10-24 x 1-3/8	1	E
66	68582	Lockplate	2	E
67	100003	Washer - #10	2	E
68	66189	Sleeve	1	A,B,C,D
69	102290	Screw - Hex hd 10-24 x 1-1/8	1	E
	110516	Screw - Hex hd 10-24 x 1-1/8	1	All
70	63475	Lockplate	1	A,B,C,D
71	68203	Washer - Insulator	1	E
	64856	Washer - #10	1	All
72	110223	Screw - Oval hd 10-24 x 5/8	1	E
73	66672	Cushion - Handle brace	1	A,B,C,D
74		Fuel Tank Assy (see Figure 3)		E
		Fuel Tank Assy (see Figure 4)		All
75	68130	Gasket - Fuel tank	1	A,B,C,D
76	63396	Insulator - Fuel tank	1	E
	66659	Insulator - Fuel tank	1	All
77	68130	Gasket - Insulator	1	A,B
78	102433	Screw - Hex hd 10-24 x 1-5/8	1	C
	110503	Screw - Hex hd 10-24 x 1-5/8	1	D,E
	102765	Screw - Hex hd 10-24 x 1-3/4	1	A
79	47660	Lockplate	1	B,C
	28052	Lockplate	1	D,E
	66673	Lockplate	2	D,E
80	105831	Washer - Steel	2	D,E
81	71017	Washer - Rubber	1	D,E
82	66674	Sleeve - Handle brace	1	All
83		Handle Brace and Battery Assy (see Figure 8)	1	All
84	68191	Kit - Spark arrester	2	All
85	110473	. Screw - Skt hd 10-24 x 1-5/8	1	All
86	65532	. Cover and Valve Assy	3	All
87	110472	. . Screw - Skt hd 8-32 x 5/16	1	All
88	83069	. . Stop - Reed	1	All
89	64785	. . Valve - Reed	1	All
90	110529	. Screw - Hex hd 10-24 x 1/2	1	All
91	62379B	. Baffle	1	All
92	110506	. Screw - Hex hd 10-24 x 5/8	1	All

This list is continued on next page

FIGURE 1. GENERAL (CONT)

Item No.	Part Number	Description	Units Per Assy	Usable On Code
93	67922	. Lockplate	1	All
94	83106	. Kit - Body and Duct Assy	1	All
95	68187	. . Screw - Special	1	All
96	68149	. Gasket - Spark arrester	1	All
97	105025	Screw - Hex hd 12-24 x 9/16	1	All
98	102523	Washer - 1/4	1	All
99	68581	Insulator - Shroud	2	All
100	101230	Grommet - Shroud	1	All
101	67377	Shroud	1	All
102		Powerhead Assy (see Figure 9)		All

Master Illustrated Parts List, P/N 84481, supersedes and cancels all previous lists issued for the MAC 3-10E saw. Discard the following lists:

IPL 65328 and

Parts list sheet 65872 covering saws having serial numbers without prefix.

Parts list sheet 66110 covering saws having serial numbers prefixed 1-.

Parts list sheet 66716 covering saws having serial numbers prefixed 2-.

Parts list sheet 66831 covering saws having serial numbers prefixed 3-.

IPL 67437 covering saws having serial numbers prefixed 12-.

SERVICE SPECIFICATIONS

Spark Plug Gap -----	0.025 in.
Lamination Gap -----	0.010 to 0.015 in.
Breaker Point Gap -----	0.018 in.
Torque Values	
Flywheel Nut -----	240 to 300 inch-pounds.
Clutch Nut-----	160 to 170 inch-pounds.
Connecting Rod Screws -----	65 to 70 inch-pounds.

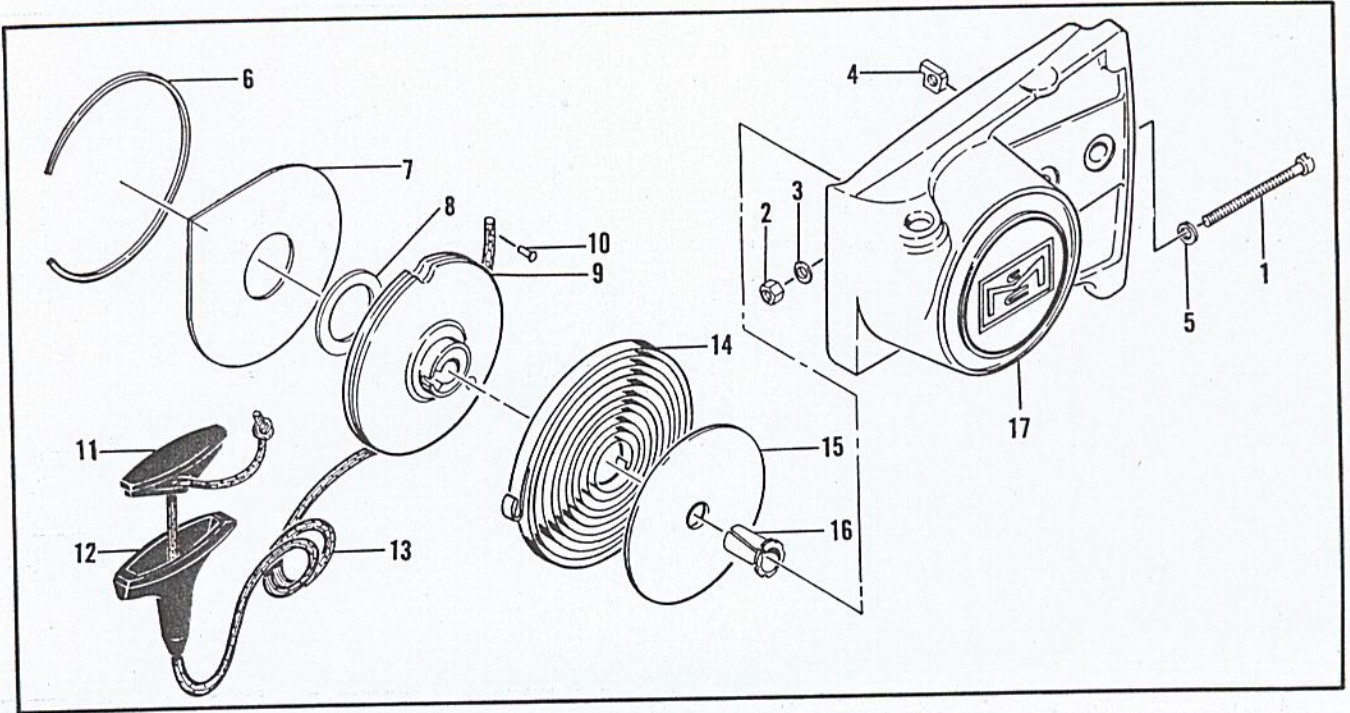


Figure 2. Clutch Guard and Starter Assembly

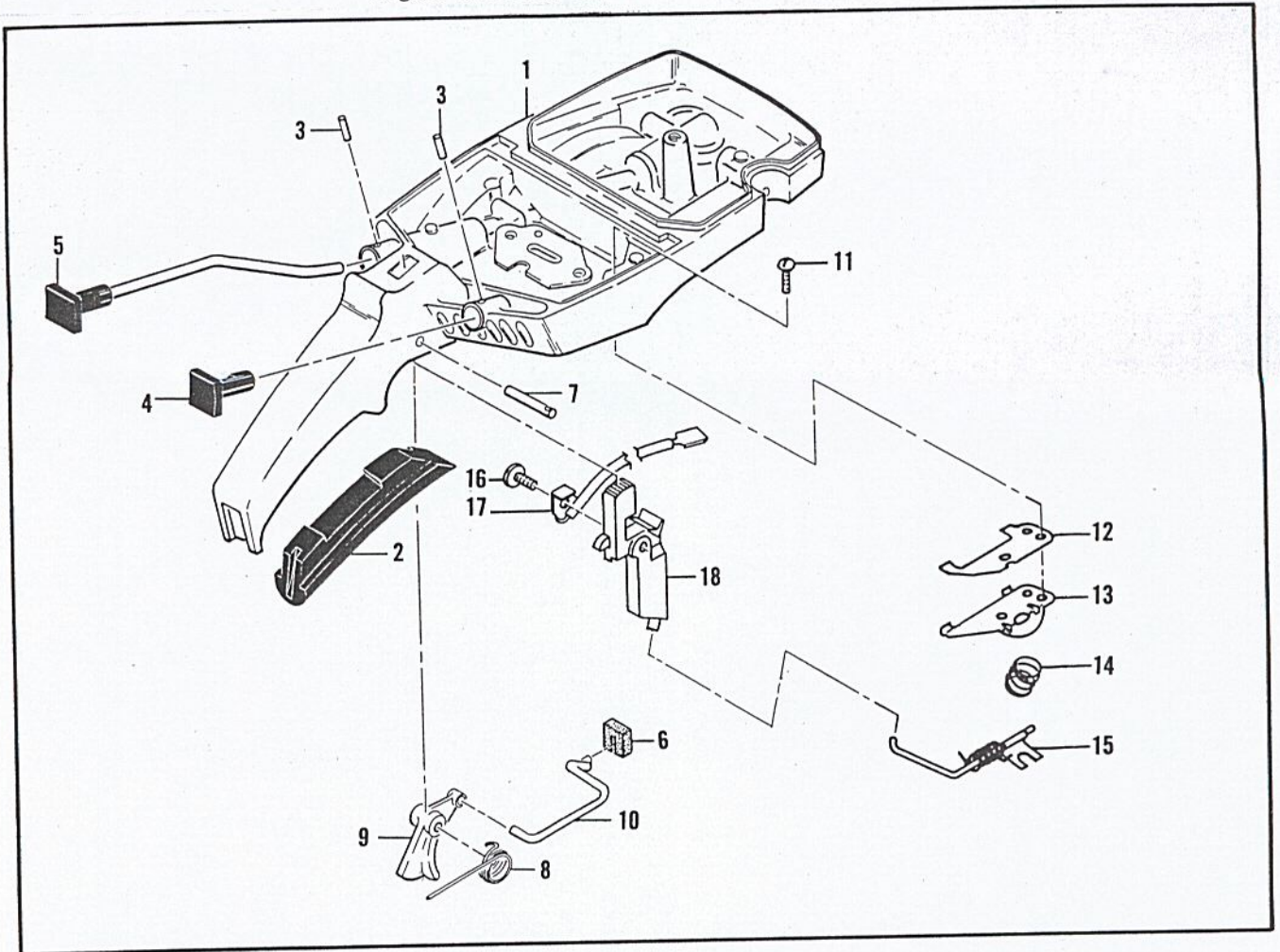


Figure 3. Fuel Tank Assembly

FIGURE 2. CLUTCH GUARD AND STARTER ASSEMBLY

Item No.	Part Number	Description	Units Per Assy	Usable On Code												
MAC 3-10E Usable on Code																
		<table border="1" style="width: 100%; border-collapse: collapse;"> <thead> <tr> <th style="width: 15%;">Letter</th> <th style="width: 15%;">A</th> <th style="width: 15%;">B</th> <th style="width: 15%;">C</th> <th style="width: 15%;">D</th> <th style="width: 15%;">E</th> </tr> </thead> <tbody> <tr> <td>Serial Numbers</td> <td>Without Prefix</td> <td>Prefixed 1-</td> <td>Prefixed 2-</td> <td>Prefixed 3-</td> <td>Prefixed 12-</td> </tr> </tbody> </table>	Letter	A	B	C	D	E	Serial Numbers	Without Prefix	Prefixed 1-	Prefixed 2-	Prefixed 3-	Prefixed 12-		
Letter	A	B	C	D	E											
Serial Numbers	Without Prefix	Prefixed 1-	Prefixed 2-	Prefixed 3-	Prefixed 12-											
	83850	Clutch Guard Assy	1	All												
1	102144	. Screw - Bar adjusting	1	All												
2	102067	. Nut - Hex 10-24	1	All												
3	110387	. Washer - Wave	1	All												
4	61705	. Nut - Bar adjusting	1	All												
5	101174	. Washer - #10	1	All												
6	67205	. Retainer - Shield	1	All												
7	63985	. Shield - Dust	1	All												
8	63986	. Washer - Thrust	1	All												
9	83651	. Drum - Starter	1	All												
10	110470	. Rivet - Rope	1	All												
11	62191A	. Insert - Handle	1	All												
12	62190A	. Handle - Starter	1	All												
13	69964	. Rope - Starter	1	All												
14	68626	. Spring - Rewind	1	All												
15	63987	. Shield - Spring	1	All												
16	61635A	. Bushing - Nyliner	1	All												
17	67207	. Guard - Clutch	1	All												

FIGURE 3. FUEL TANK ASSEMBLY

Item No.	Part Number	Description	Units Per Assy	Usable On Code												
MAC 3-10E Usable on Code																
		<table border="1" style="width: 100%; border-collapse: collapse;"> <thead> <tr> <th style="width: 15%;">Letter</th> <th style="width: 15%;">A</th> <th style="width: 15%;">B</th> <th style="width: 15%;">C</th> <th style="width: 15%;">D</th> <th style="width: 15%;">E</th> </tr> </thead> <tbody> <tr> <td>Serial Numbers</td> <td>Without Prefix</td> <td>Prefixed 1-</td> <td>Prefixed 2-</td> <td>Prefixed 3-</td> <td>Prefixed 12-</td> </tr> </tbody> </table>	Letter	A	B	C	D	E	Serial Numbers	Without Prefix	Prefixed 1-	Prefixed 2-	Prefixed 3-	Prefixed 12-		
Letter	A	B	C	D	E											
Serial Numbers	Without Prefix	Prefixed 1-	Prefixed 2-	Prefixed 3-	Prefixed 12-											
1	66648	Fuel Tank Assy	1	A,B,C,D												
2	64872	Grip - Handle	1	A,B,C,D												
3	105673	Pin - Roll 3/32 x 9/16	2	A,B,C,D												
4	66194	Button - Primer	1	A,B,C,D												
5	64871	Button and Rod Assy - Oiler	1	A,B,C,D												
6	67989	Seal - Throttle rod	1	A,B,C,D												
7	110378	Pin - Roll 3/16 x 15/16	1	A,B,C,D												
8	65734	Spring - Throttle return	1	A,B,C,D												
9	67224	Trigger - Throttle	1	A,B,C,D												
10	62970C	Rod - Throttle	1	A												
	65816	Rod - Throttle	1	B,C,D												
11	105249	Screw - Rd hd 8-32 x 3/8 (SEMS)	2	A,B,C,D												
12	64621	Shield - Bracket	1	A,B,C,D												
13	64721	Bracket - Lever Assy	1	A,B,C,D												
14	69687	Spring - Valve	1	A,B,C,D												
15	69811	Lever - Compression release	1	A,B,C,D												
16	110469	Screw - Pan hd 8-32 x 5/16 s/t	1	A,B,C,D												
17	65873	Wire Assy - Stop switch	1	A,B,C,D												
18	67210	Button Assy - Control	1	A,B,C,D												

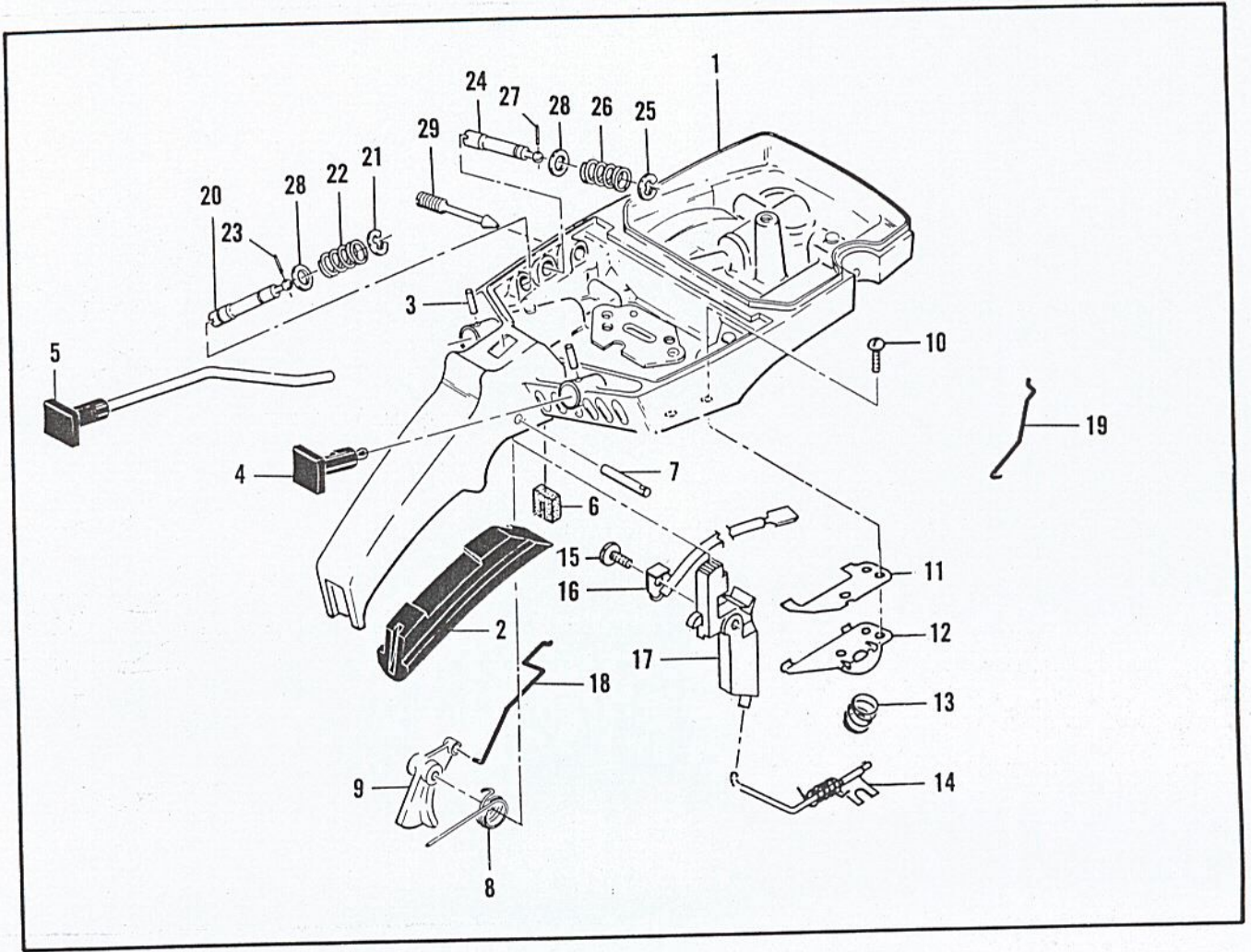


Figure 4. Fuel Tank Assembly

FIGURE 4. FUEL TANK ASSEMBLY

Item No.	Part Number	Description	Units Per Assy	Usable On Code		
MAC 3-10E Usable on Code						
	Letter	A	B	C	D	E
	Serial Numbers	Without Prefix	Prefixed 1-	Prefixed 2-	Prefixed 3-	Prefixed 12-
1	68683	Fuel Tank Assy	1			E
2	64872	Grip - Handle	1			E
3	105673	Pin - Roll 3/32 x 9/16	2			E
4	68517	Button - Choke	1			E
5	64871	Button and Rod Assy - Oiler	1			E
6	67989	Seal - Throttle rod	1			E
7	110378	Pin - Roll 3/16 x 15/16	1			E
8	65734	Spring - Throttle return	1			E
9	67224	Trigger - Throttle	1			E
10	105249	Screw - Rd hd 8-32 x 3/8 (SEMS)	2			E
11	64621	Shield - Bracket	1			E
12	64721	Bracket - Lever	1			E
13	69687	Spring - Valve	1			E
14	69811	Lever Assy - Compression release	1			E
15	110469	Screw - Pan hd 8-32 x 5/16 s/t	1			E
16	65873	Wire Assy - Stop switch	1			E
17	67210	Button Assy - Control	1			E
18	68170	Rod - Throttle	1			E
19	67355	Rod - Choke	1			E
20	68102	Extension Assy - High speed needle	1			E
21	110512	. Ring - Retaining	1			E
22	67363	. Spring	1			E
23	110509	. Pin - Groove	1			E
24	68101	Extension Assy - Idle needle	1			E
25	110512	. Ring - Retaining	1			E
26	67363	. Spring	1			E
27	110509	. Pin - Groove	1			E
28	67292	Washer	2			E
29	67271	Screw - Idle adjustment	1			E

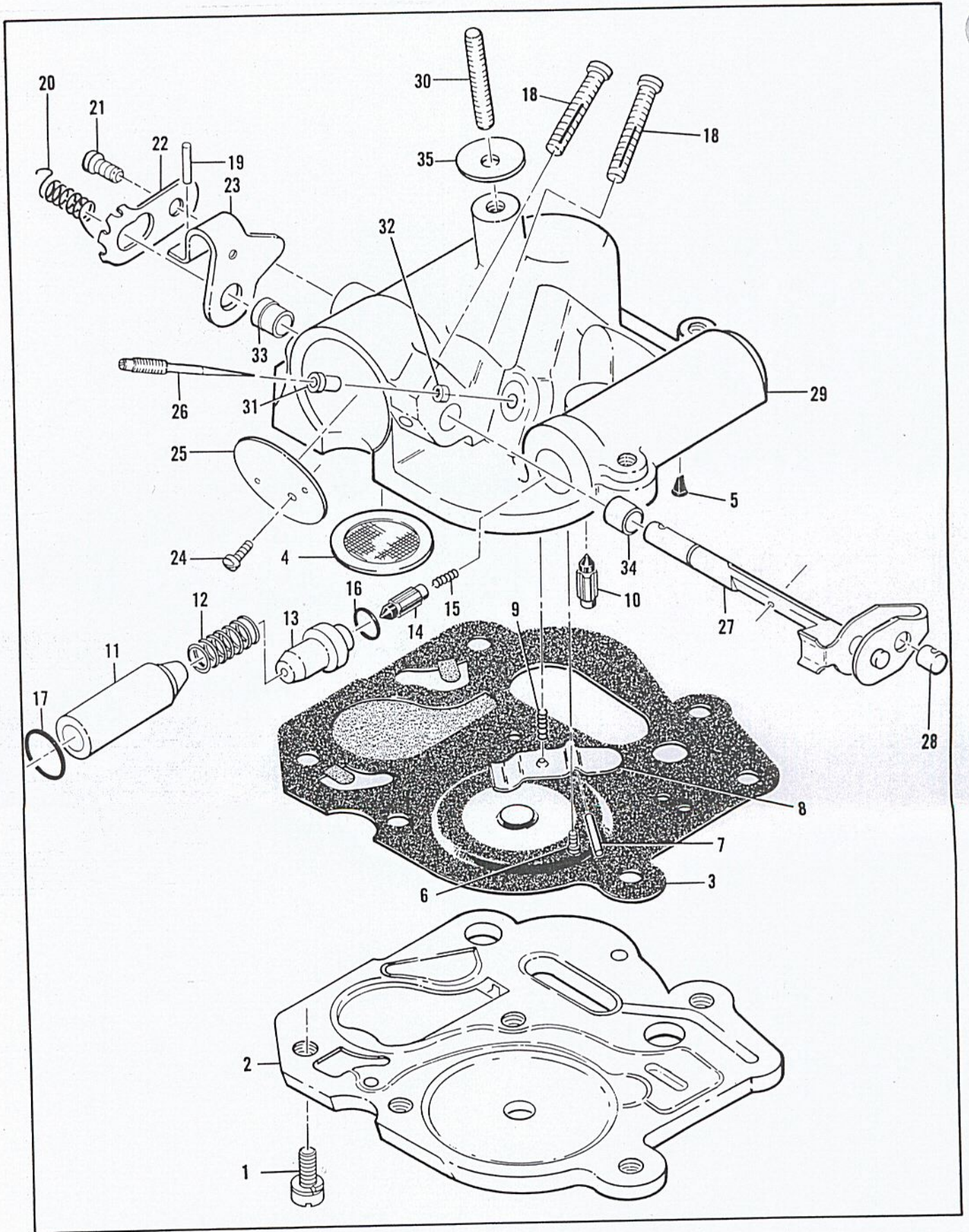


Figure 5. McCulloch Single Needle Carburetor Assembly

FIGURE 5. CARBURETOR ASSEMBLY

Item No.	Part Number	Description	Units Per Assy	Usable On Code		
MAC 3-10E Usable on Code						
	Letter	A	B	C	D	E
	Serial Numbers	Without Prefix	Prefixed 1-	Prefixed 2-	Prefixed 3-	Prefixed 12-
	*66564	Carburetor Assy (McCulloch Single Needle) . . .		1		A
1	110397	. Screw - Pan hd 8-32 x 7/16 (SEMS)		5		A
2	65597	. Plate - Carburetor base		1		A
3	67357	. Diaphragm Assy - Pump		1		A
4	55690B	. Seal - Capillary		1		A
5	63041	. Valve - Primer		1		A
6	104728	. Screw - Bind hd 6-32 x 1/4		1		A
7	110337	. Pin - Inlet lever		1		A
8	62310	. Lever - Inlet		1		A
9	62923A	. Spring - Inlet lever		1		A
10	63038	. Valve - Inlet needle		1		A
11	62308A	. Plunger - Primer		1		A
12	11086	. Spring - Plunger		1		A
13	63037	. Seat - Primer valve		1		A
14	63038	. Valve - Primer needle		1		A
15	63039	. Spring - Needle valve		1		A
16	101056	. "O" Ring		1		A
17	105606	. "O" Ring		1		A
18	62971	. Screw - Long locking adjustment		2		A
19	104245	. Pin - Roll 1/16 x 1/2		1		A
20	62939A	. Spring - Idle governor		1		A
21	103934	. Screw - Pan hd 6-32 x 1/4 (SEMS)		1		A
22	62938	. Clip - Throttle shaft		1		A
23	62343A	. Lever - Throttle		1		A
24	104814	. Screw - Pan hd 4-40 x 1/4 (SEMS)		1		A
25	62290A	. Plate - Throttle		1		A
26	62976A	. Needle - Metering		1		A
27	62291A	. Shaft Assy - Throttle		1		A
28	62975	. Swivel - Needle		1		A
29	63019B	. Body Assy - Carburetor		1		A
30	62433B	. . Stud - Carburetor		1		A
31	62295D	. . Orifice - Air		1		A
32	66569	. . Orifice - Fuel		1		A
33	62288A	. . Bushing - Throttle shaft		1		A
34	62368	. . Bushing - Throttle shaft		1		A
35	67062	Seal - Air cleaner stud		1		A

* Same as Carburetor Assembly, P/N 66503 (Figure 7), except includes Stud, P/N 62433B, and Primer Rod, P/N 65851.

MCCULLOCH SINGLE NEEDLE CARBURETOR ADJUSTMENT

1. Turn Lo Speed screw counterclockwise until it no longer touches stop and butterfly can be completely closed.
2. Hold finger against closed butterfly and turn Lo Mix needle clockwise until butterfly starts to open. Turn the needle counterclockwise three turns.
3. Hold finger against closed butterfly and turn Lo Speed screw clockwise until butterfly starts to open. Turn the screw one half turn more.
4. Turn the Lo Mix needle in or out (leaner or richer) to obtain a smooth rapid acceleration. Roll the engine right and left, bar up and bar down. Check for smooth idle in all positions and adjust Lo Mix needle as necessary.
5. Set tension on the idle governor spring so that the engine idles smoothly in all positions and after any change in position. If chain moves after position change, reduce tension.
6. Adjust Hi Mix screw for maximum power under load. Make sure that when trigger is released the engine does not speed up before returning to idle. Turn screw clockwise until engine slows down immediately after trigger release. DO NOT TOUCH LO MIX NEEDLE. ADJUST FOR HIGH SPEED OPERATION WITH HI MIX SCREW ONLY.
7. With throttle in wide open position, adjust Hi Mix screw to set butterfly in horizontal position. Now turn screw clockwise until butterfly just starts to close.
8. Set tension on idle governor spring to hold butterfly slightly open.

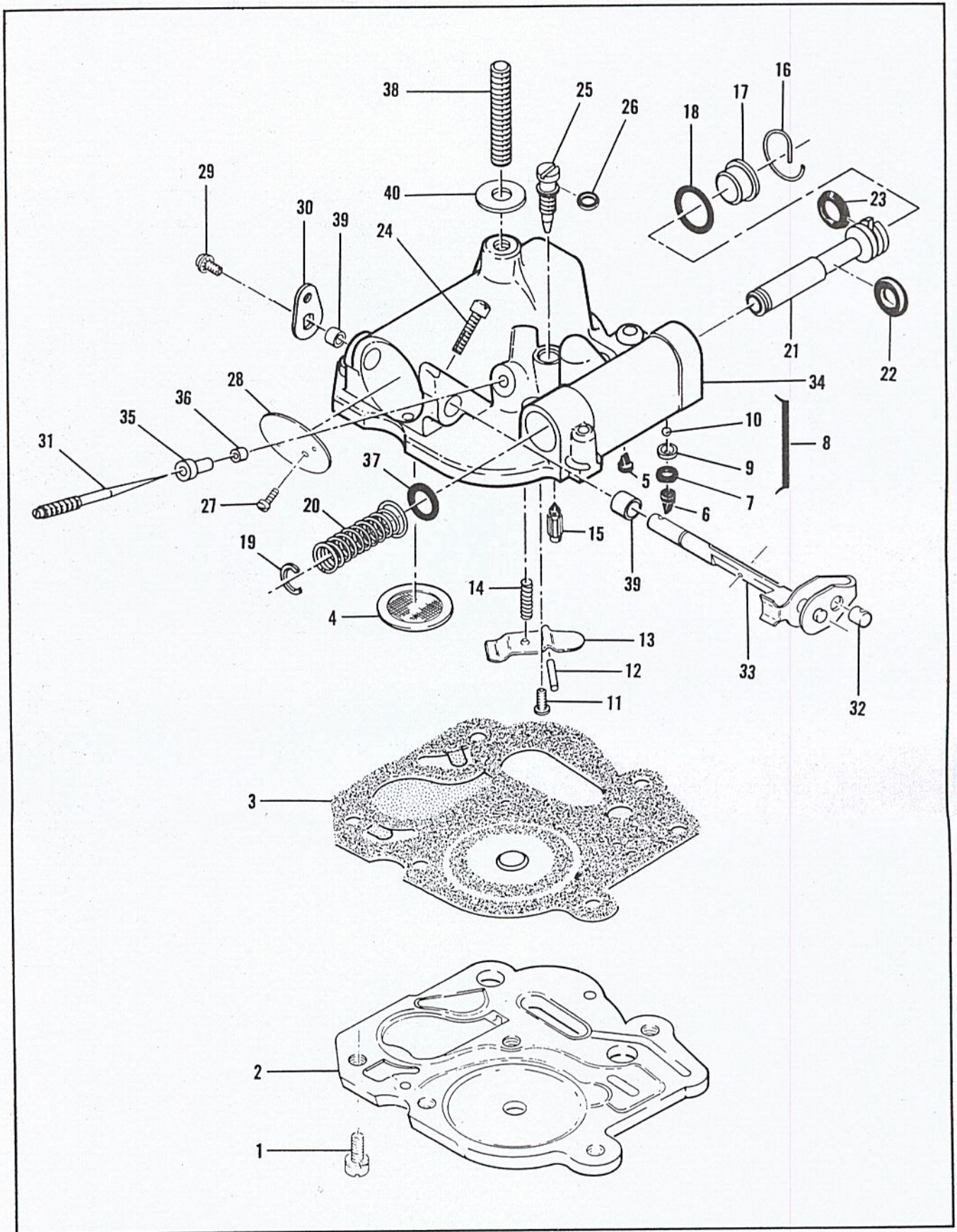


Figure 6. McCulloch Double Needle Carburetor Assembly

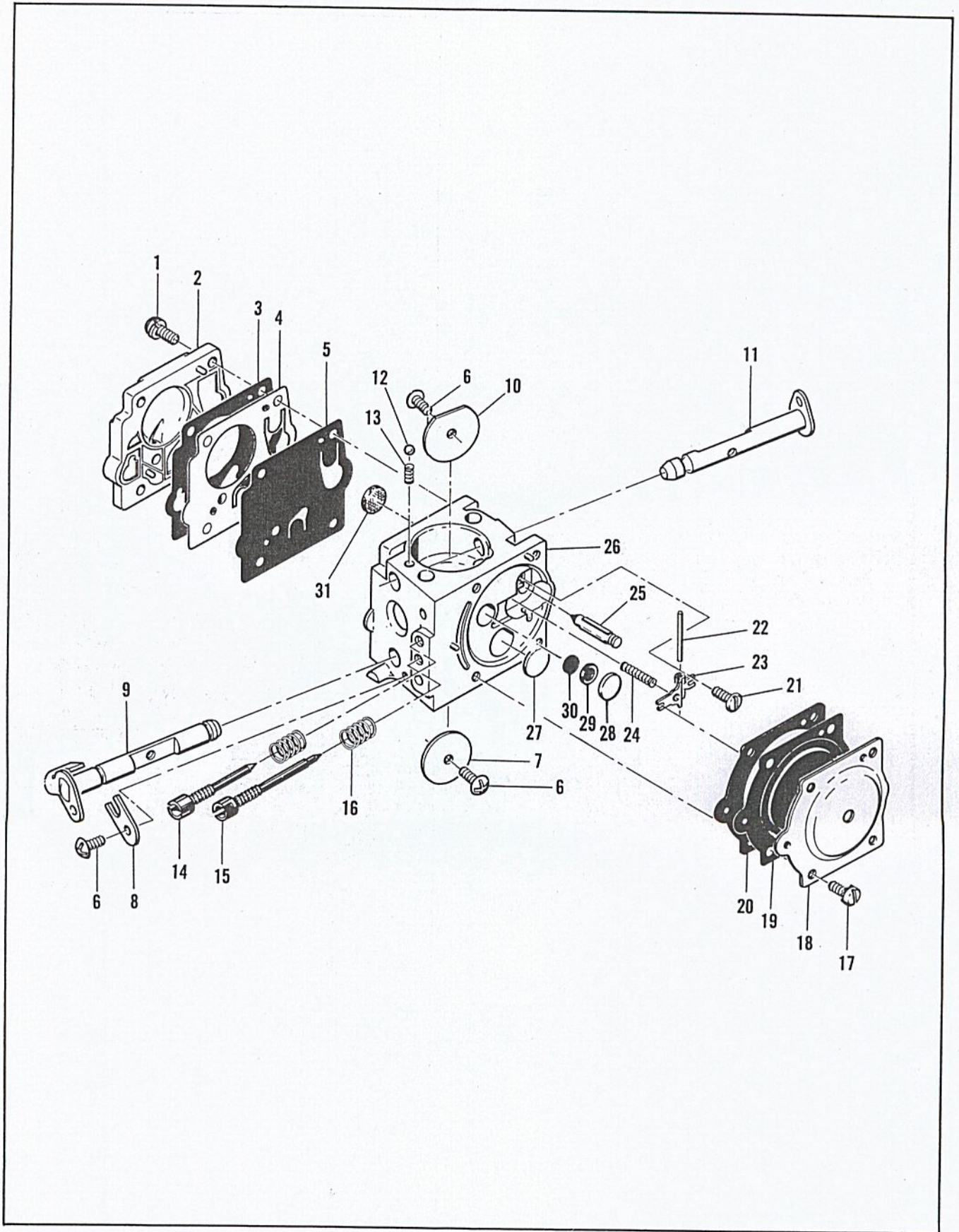


Figure 7. McCulloch SDC-2 Carburetor Assembly

FIGURE 7. CARBURETOR ASSEMBLY

Item No.	Part Number	Description	Units Per Assy	Usable On Code			
MAC 3-10E Usable on Code							
	Letter	A	B	C	D	E	
	Serial Numbers	Without Prefix	Prefixed 1-	Prefixed 2-	Prefixed 3-	Prefixed 12-	
	67379	Carburetor Assy (McCulloch SDC-2)				1	E
1	67501	. Screw - Pump cover				4	E
2	83760	. Cover - Pump				1	E
3	*67495	. Gasket - Cover				1	E
4	*67498	. Diaphragm - Check valve				1	E
5	*83114	. Diaphragm - Fuel pump				1	E
6	*47690	. Screw - Plate				3	E
7	67487	. Plate - Throttle				1	E
8	67489	. Clip - Shaft				1	E
9	67486	. Shaft Assy - Throttle				1	E
10	67490	. Plate - Choke				1	E
11	67488	. Shaft Assy - Choke				1	E
12	*100302	. Ball - Choke friction				1	E
13	*67504	. Spring - Choke				1	E
14	*67506	. Needle - High speed				1	E
15	*67505	. Needle - Idle				1	E
16	*67502	. Spring - Needle				2	E
17	70798	. Screw - Diaphragm cover				4	E
18	83761	. Cover - Diaphragm				1	E
19	*67499	. Diaphragm - Metering				1	E
20	*67496	. Gasket - Diaphragm				1	E
21	*67500	. Screw - Lever pin				1	E
22	*67508	. Pin - Lever				1	E
23	*67509	. Lever - Metering				1	E
24	*67503	. Spring - Lever				1	E
25	*67491	. Valve - Needle				1	E
26	67483	. Body Assy - Carburetor				1	E
27	*71690	. . Plug - 3/8				1	E
28	*69506	. . Plug - 5/16				1	E
29	69203	. . Seat Assy				1	E
30	69204	. . Valve				1	E
31	*67507	. . Screen - Fuel				1	E
	*67482	Gasket Set					
	67481	Repair Kit					

*Indicates parts included in Repair Kit, P/N 67481

McCULLOCH SDC-2 CARBURETOR ADJUSTMENT

- Carefully turn both the high speed and idle needles clockwise until resistance is felt, then turn both needles counterclockwise one full turn.
- With engine warmed up, adjust the idle speed screw in or out until the engine idles just below clutch engagement speed.
- Adjust the idle mixture needle in or out (leaner or richer) to obtain smooth, rapid acceleration every time without faltering. If necessary, readjust the idle speed screw.
- Adjust the high speed mixture needle for maximum power under load. Turn the needle in for leaner and out for richer mixture. Do not use any leaner setting than necessary to obtain smooth, even running when cutting wood.

Wire continuity shown by letters.
Match A-A, B-B, etc.

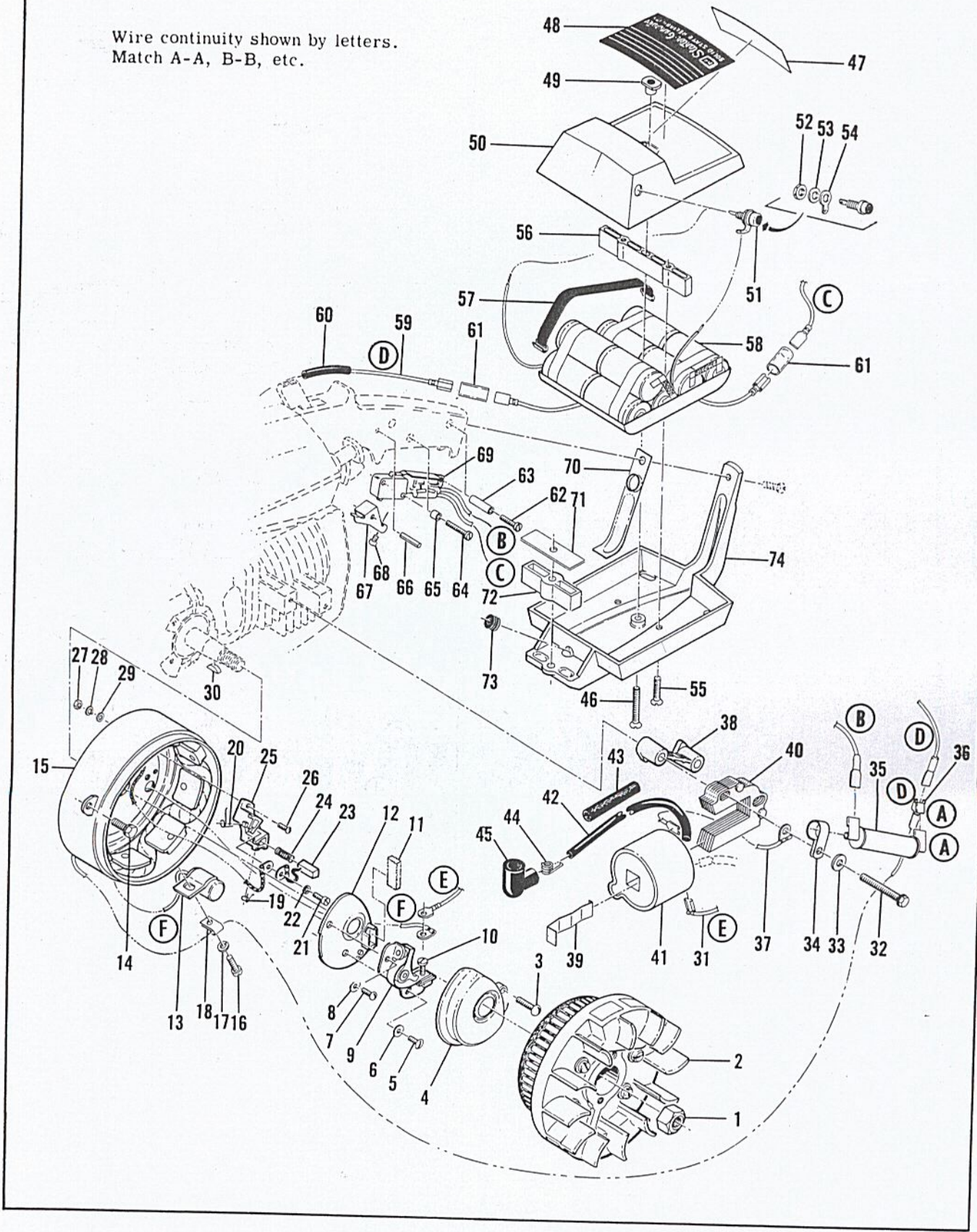


Figure 8. Electrical Components

FIGURE 8. ELECTRICAL COMPONENTS

Item No.	Part Number	Description	Units Per Assy	Usable On Code												
MAC 3-10E Usable on Code																
		<table border="1" style="width: 100%; border-collapse: collapse;"> <thead> <tr> <th style="width: 15%;">Letter</th> <th style="width: 15%;">A</th> <th style="width: 15%;">B</th> <th style="width: 15%;">C</th> <th style="width: 15%;">D</th> <th style="width: 15%;">E</th> </tr> <tr> <th>Serial Numbers</th> <th>Without Prefix</th> <th>Prefixed 1-</th> <th>Prefixed 2-</th> <th>Prefixed 3-</th> <th>Prefixed 12-</th> </tr> </thead> </table>	Letter	A	B	C	D	E	Serial Numbers	Without Prefix	Prefixed 1-	Prefixed 2-	Prefixed 3-	Prefixed 12-		
Letter	A	B	C	D	E											
Serial Numbers	Without Prefix	Prefixed 1-	Prefixed 2-	Prefixed 3-	Prefixed 12-											
1	101391	Nut - Hex 3/8-24	1	All												
2	65995	Armature and Flywheel Assy	1	All												
3	100690	Screw - Rd hd 8-32 x 1/2	1	All												
4	65415	Top - Breaker box	1	All												
5	110445	Screw - Tr hd 8-32 x 3/8	1	All												
6	105976	Washer - #8	1	All												
7	100934	Screw - Rd hd 8-32 x 3/8	1	All												
8	100080	Washer - #8	1	All												
9	66231	Breaker Assy	1	All												
10	110489	. Screw - Pan hd 6-32 x 7/16 s/t	1	All												
11	54184	Wiper - Cam	1	All												
12	65414	Base - Breaker points	1	All												
13	61650	Condenser	1	All												
14	110446	Screw - Hex hd 10-24 x 3/4 (SEMS)	2	All												
15	65996	Housing Assy - Field coil	1	All												
16	66005	. Screw - Fil hd 8-32 x 5/16	1	All												
17	105464	. Lockwasher - #8	1	All												
18	66004	. Clamp	1	All												
19	66777	. Spring - Brush clip	1	All												
20	66776	. Spring - Brush clip	1	All												
21	65997	. Screw - Fil hd 5-40 x 1/4	2	All												
22	65998	. Lockwasher - #5	2	All												
23	65999	. Brush	2	All												
24	66003	. Spring - Brush	2	All												
25	66778	. Kit - Brush holder	1	All												
26	66007	. . Screw	2	All												
27	66009	. . Nut	2	All												
28	66008	. . Lockwasher	2	All												
29	66162	. . Washer	2	All												
30	103879	Key - Woodruff	1	All												
31	64609	Wire Assy - Primary	1	All												
32	110450	Screw - Hex hd 10-24 x 1-5/8 (SEMS)	2	All												
33	100003	Washer - #10	2	All												
34	65517	Clamp - Mounting	2	All												
35	65518	Resistor	1	All												
36	110478	Terminal - Wire	1	All												
37	62819	Wire Assy - Ground	1	All												
38	64653	Spacer - Coil	1	All												
39	51253	Retainer - Coil	1	All												
40	68164	Lamination Assy	1	All												
41	69798	Kit - Coil	1	All												
42	69966	. Wire Assy - Spark plug	1	All												
43	67127	. . Sleeve	1	All												
44	62932	. . Connector	1	All												
45	62926	. . Boot	1	All												
46	110480	Screw - Fil hd 8-32 x 1-3/8	1	All												
47	65304	Nameplate	1	All												
48	65305	Emblem	1	All												
49	65319	Insert - Cover	1	All												
50	65470	Cover - Battery box	1	All												
51	65567	Jack - Phono	1	All												
52	65876	. Nut	1	All												
53	65875	. Washer	1	All												
54	65877	. Terminal	1	All												
55	100403	Screw - Fil hd 8-32 x 1	2	All												

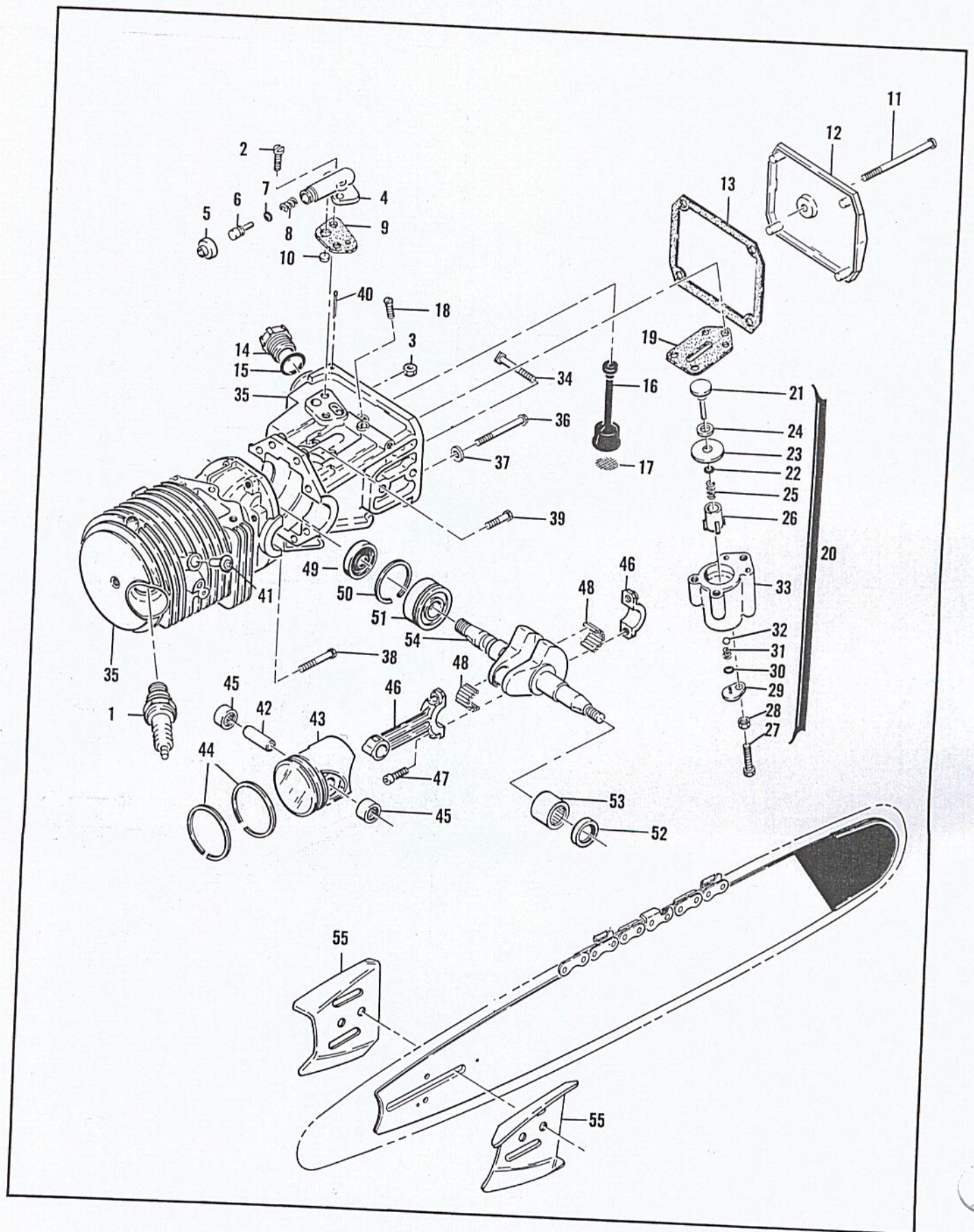


Figure 9. Powerhead Assembly

FIGURE 8. ELECTRICAL COMPONENTS (CONT.)

Item No.	Part Number	Description	Units Per Assy	Usable On Code
56	66234	Spacer - Battery	1	All
57	65501	Strap Assy - Battery	2	All
58	66161	Battery Assy	1	All
59	65541	Wire Assy - Battery-to-resistor	1	All
60	80975	Sleeve - Wire	1	All
61	65306	Sleeve - Wire terminal	2	All
62	110462	Screw - Pan hd 4-40 x 11/16	1	All
63	64874	Spacer - Long	1	All
64	110463	Screw - Pan hd 4-40 x 13/16	2	All
65	64873	Spacer - Short	2	All
66	110451	Pin - Roll	1	All
67	64681	Actuator	1	All
68	110477	Screw - Fil hd 6-32 x 3/16	1	All
69	68145	Switch Regulator Assy	1	All
70	64727	Strip - Handle brace	1	All
71	65512	Insulator - Shroud	1	All
72	66206	Spacer - Handle	1	All
73	101230	Grommet - Handle brace	1	All
74	83120	Kit - Handle brace	1	A,B,C
	69920	Brace - Handle	1	D,E

FIGURE 9. POWERHEAD ASSEMBLY

Item No.	Part Number	Description	Units Per Assy	Usable On Code												
MAC 3-10E Usable on Code																
		<table border="1" style="width: 100%; text-align: center;"> <tr> <th>Letter</th> <th>A</th> <th>B</th> <th>C</th> <th>D</th> <th>E</th> </tr> <tr> <th>Serial Numbers</th> <td>Without Prefix</td> <td>Prefixed 1-</td> <td>Prefixed 2-</td> <td>Prefixed 3-</td> <td>Prefixed 12-</td> </tr> </table>	Letter	A	B	C	D	E	Serial Numbers	Without Prefix	Prefixed 1-	Prefixed 2-	Prefixed 3-	Prefixed 12-		
Letter	A	B	C	D	E											
Serial Numbers	Without Prefix	Prefixed 1-	Prefixed 2-	Prefixed 3-	Prefixed 12-											
1	63097	Spark Plug	1	All												
2	110623	Screw - Fil hd 8-32 x 1/2	2	All												
3	100955	Nut - Hex 8-32	1	All												
4	62261A	Housing - Pump	1	All												
5	62262	Cap - Housing	1	All												
6	62266	Plunger - Pump	1	All												
7	101056	"O" Ring - Plunger	1	All												
8	66687	Spring - Plunger	1	All												
9	62230	Gasket - Pump	1	All												
10	62909	Valve - Pump	1	All												
11	110291	Screw - Pan hd 10-24 x 2-5/8	1	All												
12	63072	Cover - Oil tank	1	All												
13	62116	Gasket - Cover	1	All												
14	57129A	Cap - Oil tank	1	All												
15	101148	"O" Ring - Cap	1	All												
16	62123B	Hose Assy - Oil	1	All												
17	51506	Screen - Hose	1	All												
18	110333	Screw - Oval hd 8-32 x 1/2	3	All												
19	62274	Gasket - Pump	1	All												
20	83134	Pump Assy - Pulse	1	All												
21	60260A	Piston Assy - Pump	1	All												
22	104001	"O" Ring	1	All												
23	60263	Ring - Piston	1	All												
24	60937	Washer - Teflon	1	All												
25	60259	Spring - Piston	1	All												

FIGURE 9. POWERHEAD ASSEMBLY (CONT.)

Item No.	Part Number	Description	Units Per Assy	Usable On Code
26	62227	. Sleeve - Adjustment	1	All
27	110386	. Screw - Hex hd 8-32 x 1	1	All
28	100251	. Nut - Hex 8-32	1	All
29	63858	. Cover Assy - Valve	1	All
30	106104	. "O" Ring	1	All
31	62885A	. Spring - Valve	1	All
32	102809	. Ball	1	All
33	83128	. Body Assy - Pump	1	All
34	62065	Bolt - Bar mounting	2	All
35	67216	Crankcase Assy	1	All
36	62105	. Screw Assy - Sealing	4	All
37	62842	. Washer - Sealing	4	All
38	110618	. Screw Assy - Hex hd 8-32 x 1-3/8	1	All
39	110288	. Screw Assy - Hex hd 8-32 x 3/4	3	All
40	100010	. Pin - Cotter	1	All
41	83166	. Valve - Compression release	1	All
42	61649	Pin - Piston	1	All
43	69212	Piston Assy	1	All
44	62814	. Ring Set - Piston	1	All
45	103512	. Bearing - Needle	2	All
46	65401	Connecting Rod Assy	1	All
47	61627A	. Screw - Skt hd special	2	All
48	63225	. Roller - Needle (set of 20)	1	All
49	65746	Oil Seal	1	All
50	63464	Ring - Snap	1	All
51	63429B	Bearing - Ball	1	All
52	65747	Oil Seal	1	All
53	104357	Bearing - Needle	1	All
54	63336	Crankshaft	1	All
55	64325	Plate - Bar protector	2	All

ACCESSORIES

Item No.	Part Number	Description	Units Per Assy	Usable On Code
69210		Piston Assy 0.020 in. oversize		
62813		. Ring Set - Piston 0.020 in. oversize		
103512		. Bearing - Needle (2)		
69211		Piston Assy 0.030 in. oversize		
62812		. Ring Set - Piston 0.030 in. oversize		
103512		. Bearing - Needle (2)		
63432		Spark Plug - AC CS 42T		
65778		Spark Plug - AC CS 41T		
65325		Baffle - Spark arrester (alternate)		
69058		Kit - Wrap-around frame		
63341A		Kit - Spike		
63746		Scrench		
62827		Wrench - Combination		

40:1 TWO-CYCLE MOTOR OIL



6 oz. can #78960
 6-pack #78961
 16 oz. can #78963
 6-pack #78964
 1 qt. bottle #110626

Reduces smoke, carbon and engine wear.

CHAIN, BAR AND SPROCKET OIL



1 qt. bottle #110631
 Case of 24 #110632

Specially designed for extra lubrication of bars and chains.

BAR GUARDS

Protect bar and chain from accidental damage.



A B
 Black Polyvinylchloride

(A) for wide bars #56927
 (B) narrow bars #64930



C D
 Rigid Yellow Plastic

(C) MAC 10-16, 20" #66544
 (D) PM 6-12, 16" #83124

LOCQUIC AND

Primer. Cleans, degreases, and accelerates curing.

7-1/2 oz. spray can. #69794



LOCTITE

Sealant, bonding agent

10cc plastic bottle #67537



SPRAY PAINT

Black

12 oz. can #103503
 Case of 12 #103400

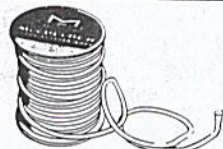


Yellow

12 oz. can #102249
 Case of 12 #102464

STARTER ROPE

Solid, braided nylon



100' spool

#36825

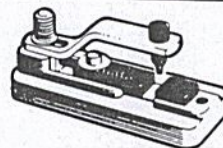
CHAIN SHARPENING TOOLS

The ● shows which tools are used on chains

	S-25	SM-57	S-40	S-80	S-90
McCULLOCH FILES					
1/8" round	●				
5/32" round	●	●			
3/16" round		●			
7/32" round			●		
1/4" round				●	
9/32" round					●
8" flat	●	●	●	●	●
6" flat safety	●	●	●	●	●
FILE GUIDE & FILE					
#67750 (1/8" round)	●				
#60950 (7/32" round)			●		
(Also holds 3/16 and 1/4" round)				●	
DEPTH GAUGE TOOLS					
#56241 .045-.060"			●	●	●
#64198 .035-.060"			●	●	●
#64359 .045-.050"			●		
#67688 .015-.020"	●				
#67680 .025-.030"	●				
FILE-N-JOINT Assures correct filing angle, height.					
#61034	●	●	●	●	●

"BREAK ALL" CHAIN BREAKER

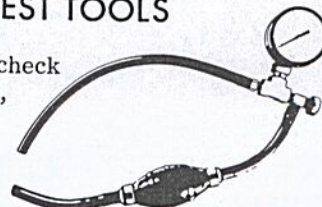
Required when repairing chain.



#61753
 Instructions included.

PRESSURE TEST TOOLS

For leakage check of crankcase, fuel system.



Basic unit #62849