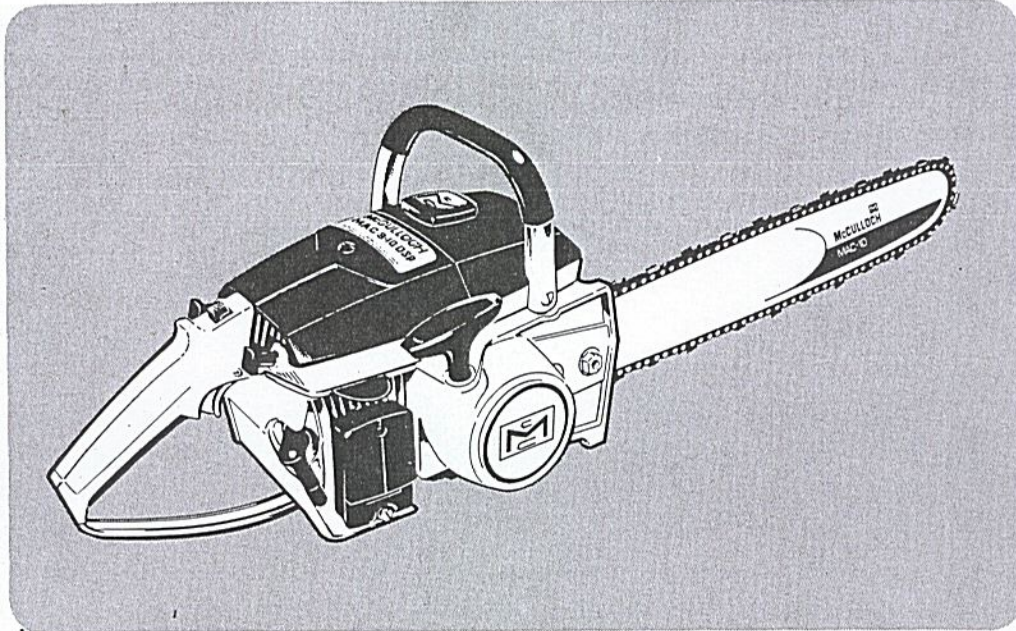


# MAC 3-10 Chain Saw

## ILLUSTRATED PARTS LIST



August 1966

The following pages contain item-numbered illustrations of the service parts for this saw. Facing each illustration are lists which give the description and the quantity of each service part.

Part numbers will be found on the appropriate parts list sheet covering the serial number block of the particular saw. Locate the figure and item in this book, of the part in which you are interested. Then turn to the appropriate parts list sheet and following the figure and item number will be found the correct part number of the service part.

When changes in this parts list occur, either in the illustrations, in part numbers or in quantities used, these differences will be explained or shown on a superseding parts list sheet.

	Page
Figure 1. Engine Exploded View - General	2
Figure 2. Clutch Guard and Starter Assembly	4
Figure 3. Fuel Tank Assembly	4
Figure 4. Carburetor Assembly	6
Figure 5. Powerhead Assembly	8
Figure 6. Bar and Chain Assembly	10



# McCULLOCH



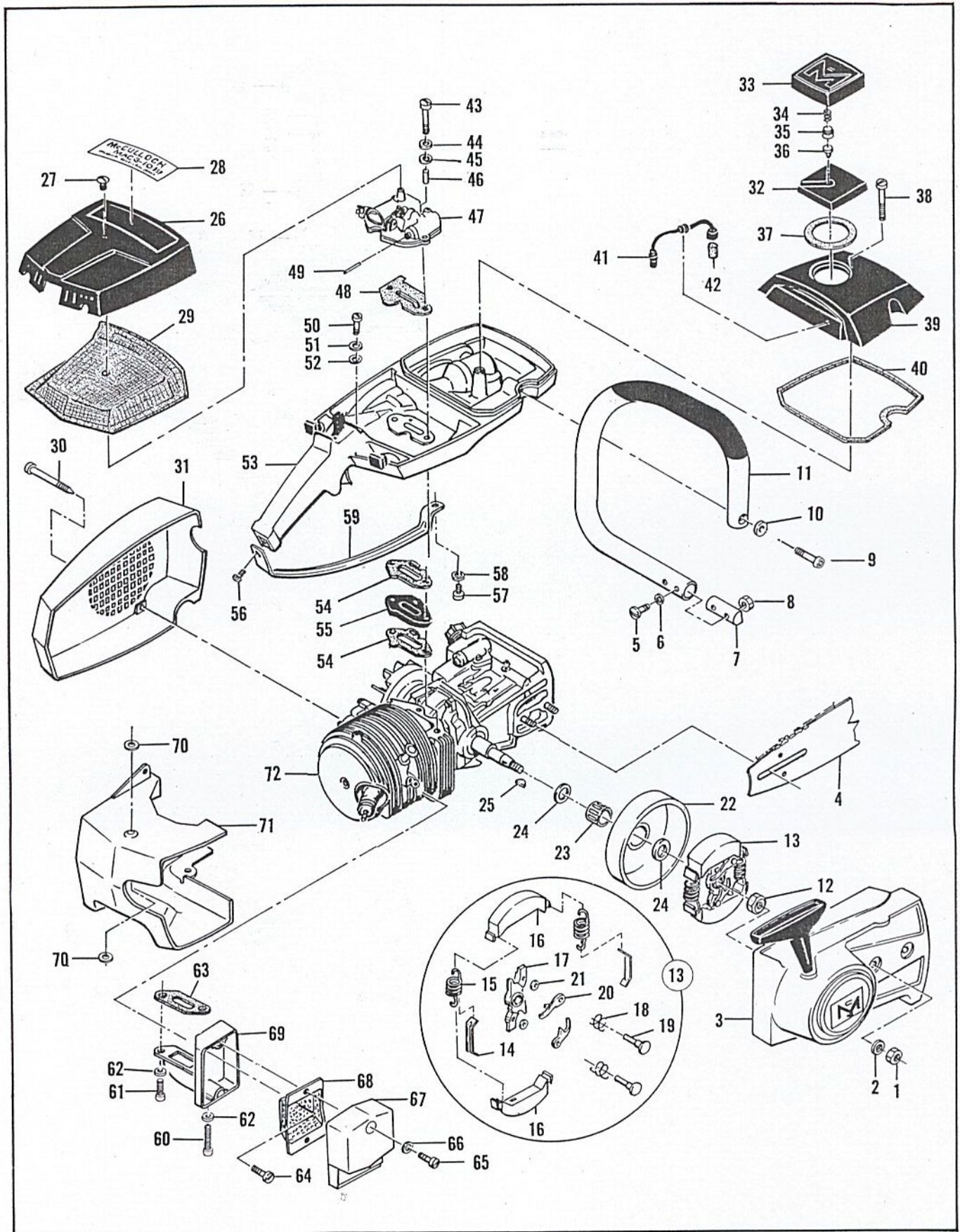


Figure 1. Engine Exploded View - General



FIGURE 1. ENGINE EXPLODED VIEW-GENERAL

Item No	Description	Units Per Assy
1	Nut - Hex 5/16-24	2
2	Washer - 5/16 plain	2
3	Clutch Guard and Starter Assembly (See Figure 2)	1
4	Bar and Chain Assembly (See Figure 6)	1
5	Screw - Hex hd 10-24 x 7/8	2
6	Washer - #10	2
7	Plug - Nut retainer	1
8	Nut - Hex 10-24	2
9	Screw - Skt hd 1/4-20 x 1-1/8	1
10	Washer - 1/4 plain	1
11	Frame and Grip Assembly	1
12	Nut - Flexloc 3/8-24	1
13	Clutch Assembly	1
14	. Retainer - Clutch spring	2
15	. Spring - Clutch	2
16	. Shoe - Clutch	2
17	. Rotor Assembly - Clutch	1
18	. . Spring - Pawl	2
19	. . Rivet - Pawl	2
20	. . Pawl - Starter	2
21	. . Washer - Special	2
22	Kit - Sprocket, Drum and Bearing . Sprocket and Drum Assembly (7-tooth sprocket)	1
23	. Bearing - Sprocket drum	1
24	. Shim - Sprocket	2
25	Key - Woodruff	1
26	Cover Assembly - Air cleaner	1
27	. Nut - Air cleaner cover	1
28	Nameplate - MAC 3-10	1
29	Screen - Air cleaner	1
30	Screw - Special	3
31	Fan Housing	1
32	Cap Assembly - Fuel	1
33	. Cover - Fuel cap	1
34	. Spring	1
35	. Guide - Spring	1

Item No	Description	Units Per Assy
36	. Valve	1
37	. Gasket	1
38	Screw - Oval hd 12-24 x 1-3/4	1
39	Cover - Fuel tank	1
40	Gasket - Fuel tank cover	1
41	Hose Assembly - Fuel	1
42	. Filter - Fuel	1
43	Screw - Hex hd 10-24 x 1-7/8	2
44	Washer - #10 plain	2
45	Washer - Insulator	2
46	Sleeve - Insulator	2
47	Carburetor Assembly (See Figure 4)	1
48	Gasket - Carburetor	1
49	Rod - Primer	1
50	Screw - Hex hd 10-24 x 1-1/8	1
51	Washer - #10 plain	1
52	Washer - Insulator	1
53	Fuel Tank Assembly (See Figure 3)	1
54	Gasket - Fuel tank	2
55	Insulator	1
56	Screw - Oval hd 10-24 x 3/8	1
57	Screw - Hex hd 10-24 x 3/4	1
58	Washer - #10 plain	1
59	Brace - Handle	1
60	Screw - Skt hd 10-24 x 1-3/8	1
61	Screw - Skt hd 10-24 x 5/8	1
62	Washer - #10 plain	2
63	Gasket - Spark arrester	1
64	Screw - Hex hd 10-24 x 1/2 Spark Arrester Assembly	1
65	. Screw - Fil hd 10-24 x 1-1/8	2
66	. Washer - #10 plain	4
67	. Cover Assembly - Spark arrester	1
68	. Baffle - Spark arrester	1
69	. Body and Duct Assembly - Spark arrester	1
70	Insulator - Shroud	2
71	Shroud - Cylinder	1
72	Powerhead Assembly (See Figure 5)	1



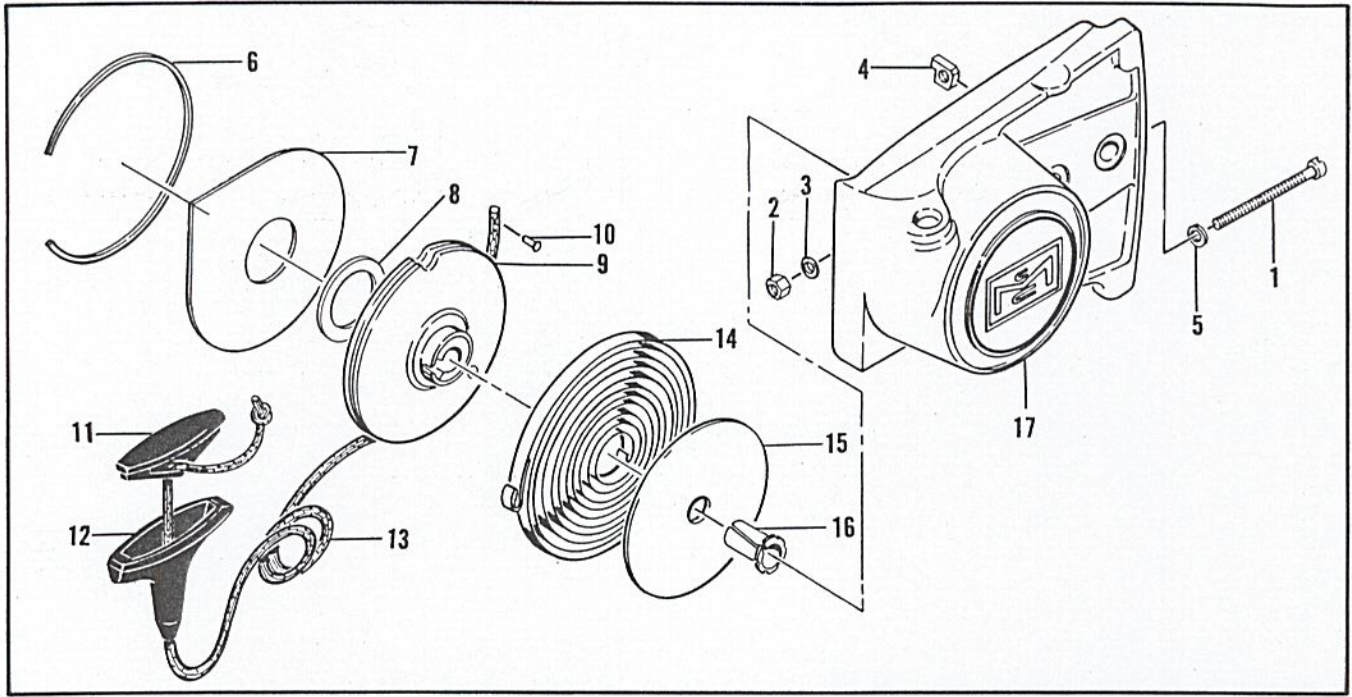


Figure 2. Clutch Guard and Starter Assembly

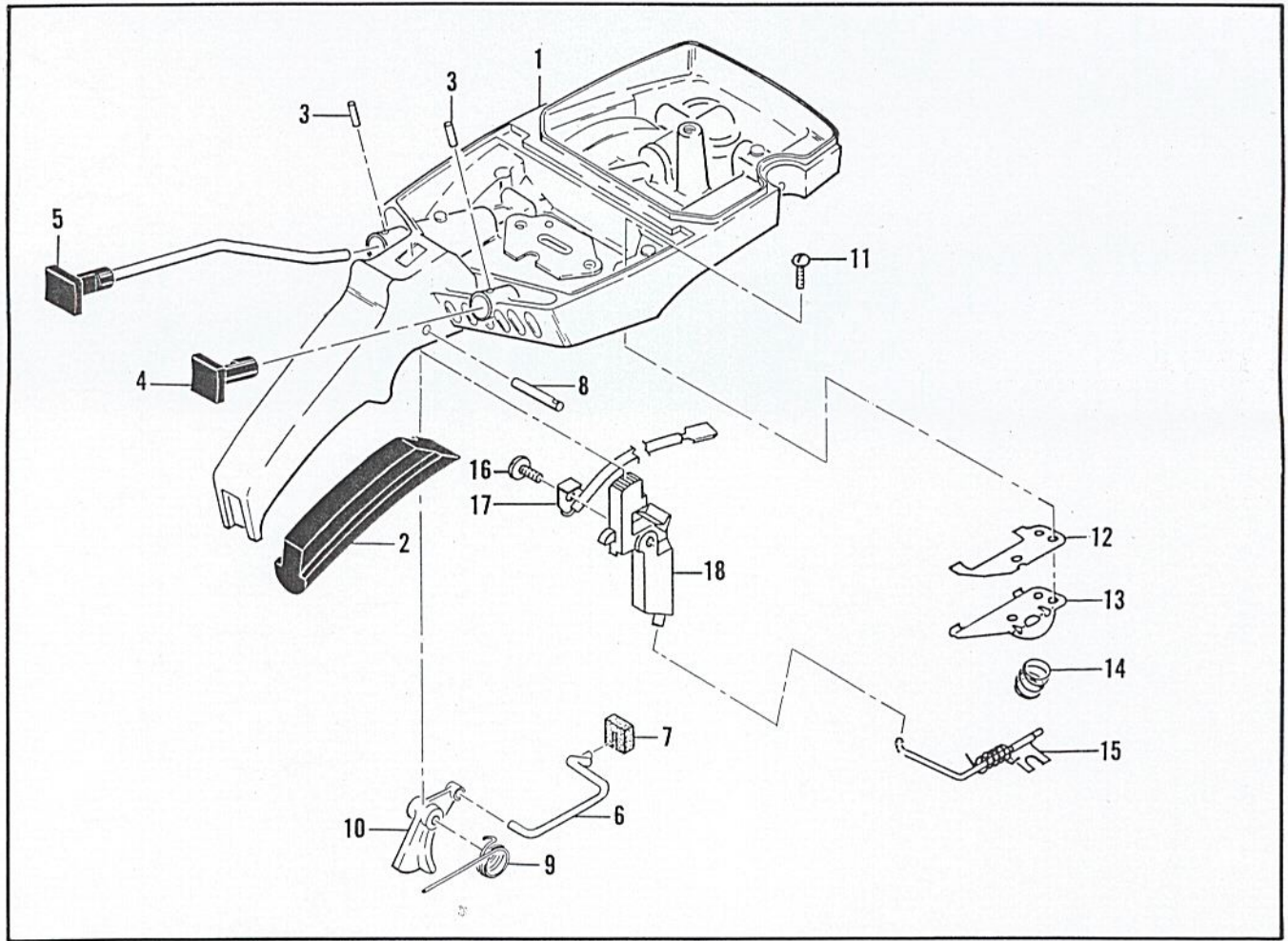


Figure 3. Fuel Tank Assembly

FIGURE 2. CLUTCH GUARD AND STARTER ASSEMBLY

Item No	Description	Units Per Assy
	Clutch Guard Assembly	1
1	. Screw - Bar adjusting	1
2	. Nut - Hex #10 lock	1
3	. Washer - Wave	1
4	. Nut - Bar adjusting	1
5	. Washer - #10	1
6	. Retainer - Shield	1
7	. Shield - Dust	1
8	. Washer - Thrust	1

Item No	Description	Units Per Assy
9	. Drum - Starter	1
10	. Rivet - Starter rope	1
11	. Insert - Starter rope	1
12	. Handle - Starter	1
13	. Rope - Starter	1
14	. Spring - Starter rewind	1
15	. Shield - Starter spring	1
16	. Bushing - Nyliner	1
17	. Guard - Clutch	1

FIGURE 3. FUEL TANK ASSEMBLY

Item No	Description	Units Per Assy
1	Fuel Tank Assembly	1
2	. Grip - Handle	1
3	. Roll Pin - 3/32 x 9/16	2
4	. Button - Primer	1
5	. Button and Rod Assembly - Oiler	1
6	. Rod - Throttle	1
7	. Seal - Throttle rod	1
8	. Roll Pin - 3/16 x 15/16	1
9	. Spring - Throttle return	1
10	. Trigger - Throttle	1

Item No	Description	Units Per Assy
11	Screw - Pan hd 8-32 x 3/8 (SEMS)	2
12	Shield - Heat	1
13	Bracket - Compression release lever	1
14	Spring - Compression release valve	1
15	Lever Assembly - Compression release	1
16	Screw - Pan hd 8-32 x 5/16	1
17	Wire Assembly - Stop switch	1
18	Button Assembly - Control	1



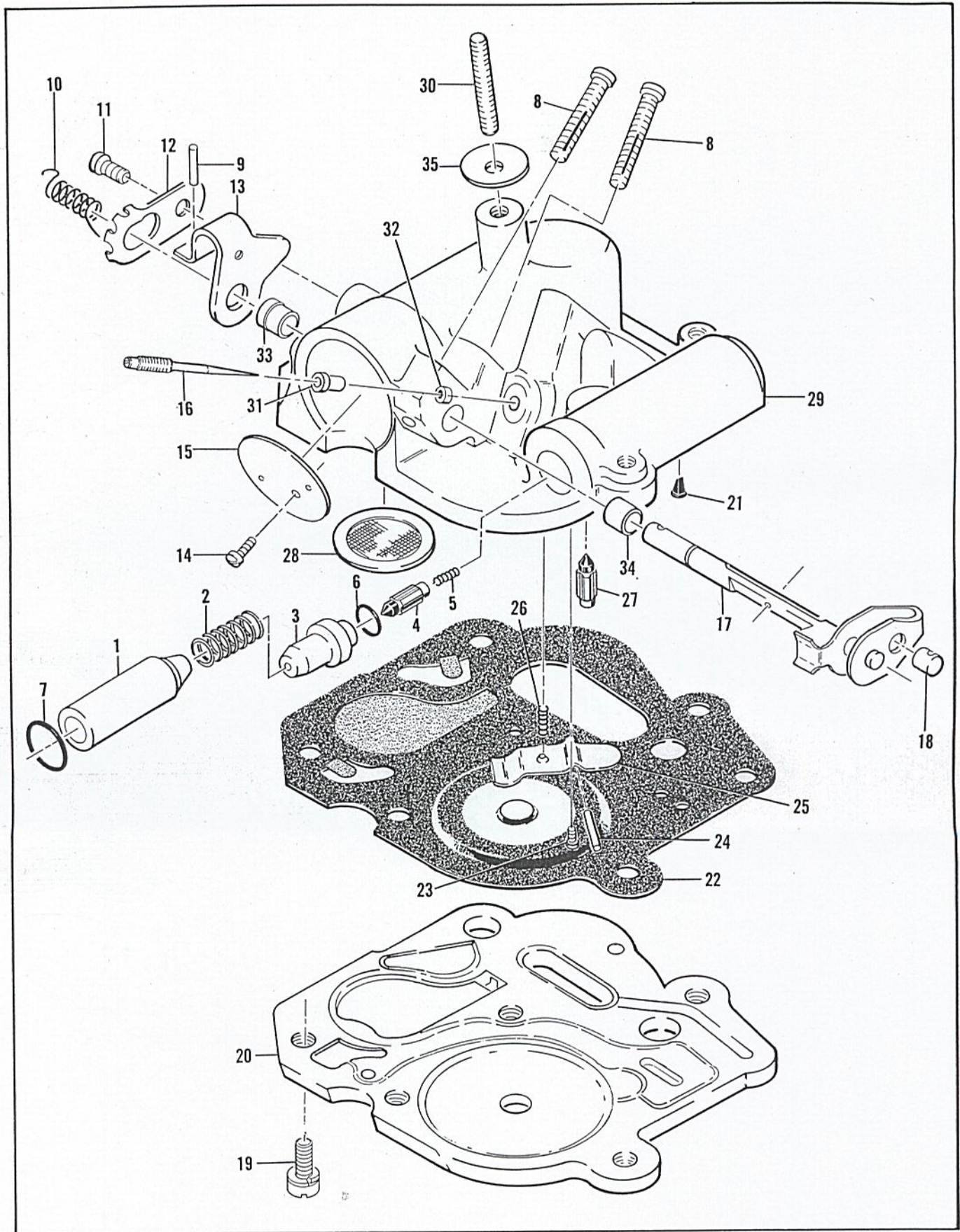


Figure 4. Carburetor Assembly



FIGURE 4. CARBURETOR ASSEMBLY

Item No	Description	Units Per Assy
	Carburetor Assembly	1
1	. Plunger - Primer	1
2	. Spring - Plunger	1
3	. Seat - Primer valve	1
4	. Valve - Primer needle	1
5	. Spring - Needle valve	1
6	. "O" Ring	1
7	. "O" Ring	1
8	. Screw - Long locking adjustment	2
9	. Roll Pin - 0.062 x 1/2	1
10	. Spring - Idle governor	1
11	. Screw - Rd hd 6-32 x 1/4	1
12	. Clip - Throttle shaft	1
13	. Lever - Throttle	1
14	. Screw - Pan hd 4-40 x 1/4 (SEMS)	1
15	. Plate - Throttle	1
16	. Needle - Metering	1
17	. Shaft Assembly - Throttle	1

Item No	Description	Units Per Assy
18	. Swivel - Needle	1
19	. Screw - Pan hd 8-32 x 7/16 (SEMS)	5
20	. Plate - Carburetor base	1
21	. Valve - Primer	1
22	. Diaphragm Assembly - Pump	1
23	. Screw - 6-32 x 1/4	1
24	. Pin - Inlet lever	1
25	. Lever - Inlet	1
26	. Spring - Inlet lever	1
27	. Valve - Inlet needle	1
28	. Seal - Capillary	1
29	. Body Assembly - Carburetor	1
30	. . Stud - Carburetor	1
31	. . Orifice - Air	1
32	. . Orifice - Fuel	1
33	. . Bushing - Throttle shaft	1
34	. . Bushing - Throttle shaft	1
35	Seal - Air cleaner stud	1



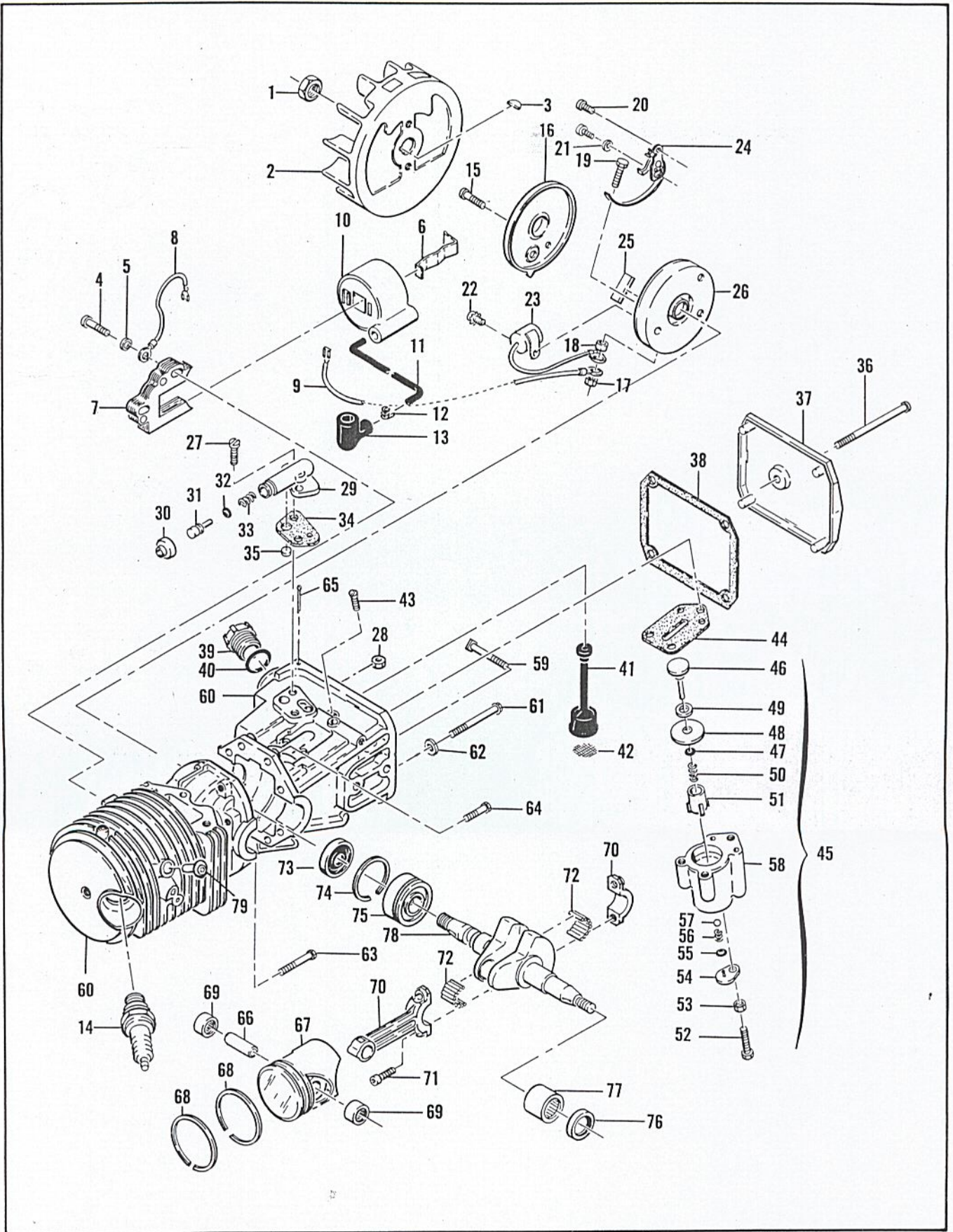


Figure 5. Powerhead Assembly



FIGURE 5. POWERHEAD ASSEMBLY

Item No	Description	Units Per Assey
1	Nut - Hex 3/8-24	1
2	Flywheel Assembly	1
3	Key - Flywheel	1
4	Screw - Fil hd 10-24 x 7/8 (SEMS)	2
5	Washer - #10 plain	2
6	Retainer - Coil	1
7	Lamination Assembly	1
8	Wire Assembly - Ground	1
9	Wire Assembly - Primary	1
10	Coil and Terminal Assembly	1
11	. Wire Assembly - Spark plug	1
12	. . Connector	1
13	. . Boot	1
14	Spark Plug (Packaged)	1
15	Screw - Rd hd 8-32 x 3/4	1
16	Cover - Breaker box	1
17	Nut - Hex 6-32	1
18	Spacer - Breaker screw	1
19	Screw - Hex hd 6-32 x 3/4	1
20	Screw - Rd hd 8-32 x 3/8	2
21	Washer - #8 plain	1
22	Screw - Rd hd 8-32 x 3/8 (SEMS)	1
23	Condenser	1
24	Breaker Assembly	1
25	Wiper - Cam	1
26	Box - Breaker	1
27	Screw - 8-32 x 1/2	2
28	Nut - Hex 8-32	1
29	Pump Assembly - Oil	1
30	. Cap - Oil pump	1
31	. Plunger - Oil pump	1
32	. "O" Ring	1
33	. Spring - Oil pump	1
34	Gasket - Oil pump	1
35	Valve - Oil pump	1
36	Screw - Pan hd 10-24 x 2-3/4	1
37	Cover - Oil tank	1
38	Gasket - Oil tank cover	1
39	Cap - Oil	1
40	"O" Ring	1

Item No	Description	Units Per Assy
41	Hose Assembly - Oil	1
42	. Screen - Oil hose	1
43	Screw - Oval hd 8-32 x 1/2	3
44	Gasket - Pulse pump	1
45	Pulse Pump Assembly	1
46	. Piston Assembly - Pulse Oiler	1
47	. "O" Ring	1
48	. Ring - Piston oiler	1
49	. Washer - Teflon	1
50	. Spring - Piston oiler	1
51	. Sleeve - Oiler adjustment	1
52	. Screw - Hex hd 8-32 x 1	1
53	. Nut - Hex 8-32	1
54	. Cover Assembly - Outlet valve	1
55	. "O" Ring	1
56	. Spring - Outlet valve	1
57	. Ball - 3/32 in. dia.	1
58	. Body Assembly - Pulse pump	1
59	Bolt - Bar mounting	2
60	Cylinder-Crankcase Assembly	1
61	. Screw Assembly - Sealing	4
62	. . Washer - Sealing	4
63	. Screw Assembly - 8-32 x 1-1/8	1
64	. Screw Assembly - 8-32 x 3/4	3
65	. Cotter Pin - 3/32 x 1/2	1
66	Pin - Piston	1
67	Piston Assembly	1
68	. Ring Set - Piston	1
69	. Bearing - Needle	2
70	Connecting Rod Assembly	1
71	. Screw - Skt hd 8-36 x 1/2	2
72	. Roller - Needle (Set of 20)	1
73	Oil Seal	1
74	Ring - Snap	1
75	Bearing - Ball	1
76	Oil Seal	1
77	Bearing - Needle	1
78	Crankshaft	1
79	Valve Assembly	1



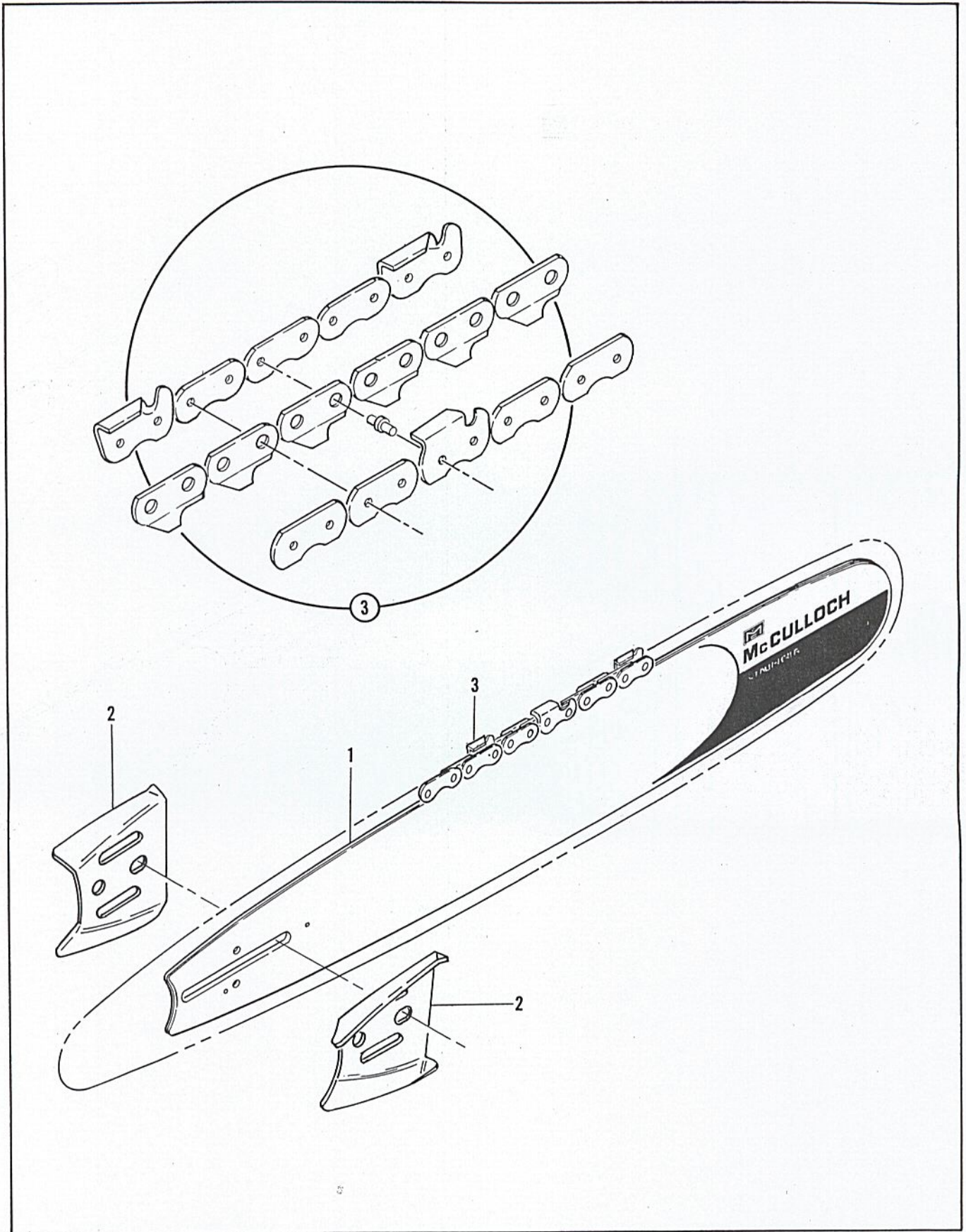


Figure 6. Bar and Chain Assembly



FIGURE 6. BAR AND CHAIN ASSEMBLIES

Item No	Description	Units Per Assy
1	Typical Bar	1
2	Plate - Bar protector	2

Item No	Description	Units Per Assy
3	Typical Chain Assembly	1

## ACCESSORIES

Item No	Description
1	Owner's Manual
2	Wrench - Screwdriver combination
3	Kit - Spike (4-tooth)
4	Piston Assembly - 0.020 in. oversize
5	. Ring Set - Piston 0.020 in. o'size
6	. Bearing - Needle (2)
7	Piston Assembly - 0.030 in. oversize

Item No	Description
8	. Ring Set - Piston 0.030 in. o'size
9	. Bearing - Needle (2)
10	Kit - Wrap-around frame
11	Spark Plug - Alternate
12	Baffle - Spark arrester (optional)
13	Scrench



Figure and Item numbers are referenced to the MAC 3-10 Illustrated Parts List, P/N 65327 unless otherwise indicated on this parts list sheet. Numbers in black circles refer to notes at the bottom of the page. Numbers in parenthesis following the part number indicate a quantity change from the illustrated parts list.

# MAC 3-10

Serial Numbers Without Prefix Numbers

FIG & ITEM	PART NUMBER	FIG & ITEM	PART NUMBER	FIG & ITEM	PART NUMBER	FIG & ITEM	PART NUMBER
1-1	101357	1-60	104534	4-4	63038	5-27	100414
1-2	100440	1-61	104895	4-5	63039	5-28	100955
1-3	Fig. reference	1-62	110264	4-6	101056	5-29	62319A
1-4	Fig. reference	1-63	63748	4-7	110351	5-30	62262
1-5	102761	1-64	110341	4-8	62971	5-31	62266
1-6	100352		64846	4-9	101500	5-32	101056
1-7	61678	1-65	103360	4-10	62939A	5-33	59934
1-8	101326	1-66	110264	4-11	101207	5-34	62230
1-9	105187	1-67	62380	4-12	62938	5-35	62909
1-10	100004	1-68	62379A	4-13	62343A	5-36	110291
1-11	63408	1-69	64601	4-14	104814	5-37	63072
1-12	103746	1-70	62085A	4-15	62290A	5-38	62116
1-13	65471	1-71	64623	4-16	62976A	5-39	57129A
1-14	64583	1-72	Fig. reference	4-17	62291A	5-40	101148
1-15	63999			4-18	62975	5-41	62123B
1-16	62198B			4-19	110397	5-42	51506
1-17	65475	2-	63075B	4-20	63042	5-43	110333
1-18	62328	2-1	102144	4-21	63041	5-44	62274
1-19	65472	2-2	102067	4-22	65410	5-45	62320C
1-20	64857	2-3	110387	4-23	104728	5-46	60260A
1-21	65473	2-4	61705	4-24	110337	5-47	101758
	65370	2-5	101174	4-25	62310	5-48	60263
1-22	65368	2-6	62371	4-26	62923A	5-49	60937
1-23	110330	2-7	63985	4-27	63038	5-50	60259
1-24	61692	2-8	63986	4-28	55690B	5-51	62227
1-25	103879	2-9	62179A	4-29	63019B	5-52	110386
1-26	62117	2-10	101136	4-30	62433B	5-53	100251
1-27	62434	2-11	62191A	4-31	62295D	5-54	63858
1-28	65459	2-12	62190A	4-32	63813	5-55	103195
1-29	62077	2-13	59952A	4-33	62288A	5-56	62885A
1-30	62978	2-14	36059	4-34	62368	5-57	102809
1-31	63073	2-15	63987	4-35	62435	5-58	62321A
1-32	61721D	2-16	61635A			5-59	62065
1-33	64762	2-17	63071B			5-60	64885
1-34	63040			5-1	101391	5-61	62105
1-35	62316			5-2	61737	5-62	62842
1-36	63041	3-1	65331	5-3	103879	5-63	110289
1-37	61722C	3-2	64872	5-4	101965	5-64	110288
1-38	110334	3-3	105673	5-5	100003	5-65	100010
1-39	63656	3-4	63045	5-6	51253	5-66	61649
1-40	62102	3-5	64871	5-7	62741	5-67	62824
1-41	64848	3-6	62970C	5-8	62819	5-68	62814
1-42	63932	3-7	61696	5-9	62818	5-69	103512
1-43	103355	3-8	110378	5-10	62927A	5-70	64655
1-44	64856	3-9	64716	5-11	62929A	5-71	61627A
1-45	55636	3-10	62949	5-12	62932	5-72	63225
1-46	62327A	3-11	105249	5-13	62926	5-73	61618
1-47	62300D	3-12	64621	5-14	63097	5-74	63464
1-48	62080B	3-13	64721	5-15	110349	5-75	63429B
1-49	62066A	3-14	64650	5-16	62362	5-76	110260
1-50	102290	3-15	64654	5-17	100298	5-77	104357
1-51	64856	3-16	110469	5-18	62365	5-78	63336
1-52	55636	3-17	64614	5-19	110346	5-79	64755
1-53	63949	3-18	65479	5-20	100934		
1-54	62995A			5-21	105976		
1-55	63396			5-22	105249	6-1	MAC 10 Bar
1-56	110353	4-	62300D	5-23	61650	6-2	64325
1-57	102289	4-1	62308A	5-24	62363	6-3	Chain Assy
1-58	100352	4-2	11086	5-25	54184		
1-59	63070	4-3	63037	5-26	62361		

Continued



FIG & ITEM	PART NUMBER	FIG & ITEM	PART NUMBER	FIG & ITEM	PART NUMBER	FIG & ITEM	PART NUMBER
<i>ACCESSORY ITEMS</i>							
1	64708						
2	62827						
3	63341A						
4	62825						
5	62813						
6	103512						
7	62826						
8	62812						
9	103512						
10	63480						
11	63432						
12	65325						
13	63746						



**McCULLOCH CORPORATION**  
6101 WEST CENTURY BLVD., LOS ANGELES, CALIFORNIA 90045

**McCULLOCH OF CANADA, LTD.**  
77 BELFIELD ROAD, REXDALE, ONTARIO, CANADA

**McCULLOCH INTERNATIONAL, INC.**  
POSTBUS 10, MALINES, BELGIUM  
G.P.O. BOX 879, HONG KONG, B.C.C.

**McCULLOCH OF AUSTRALIA PTY., LTD.**  
P.O. BOX 165, SOUTH GRANVILLE, N.S.W., AUSTRALIA

**McCULLOCH INTERNATIONAL (U.S.), INC.**  
P.O. BOX 45466 LOS ANGELES, CALIFORNIA, U.S.A.



Figure and Item numbers are referenced to the Illustrated Parts List, P/N 65327 unless otherwise indicated on this parts list sheet. Numbers in black circles refer to notes at the bottom of the page. Numbers in parenthesis following the part number indicate a quantity change from the illustrated parts list.

FIG. & ITEM	PART NUMBER	NOMENCLATURE	FIG. & ITEM	PART NUMBER	NOMENCLATURE	FIG. & ITEM	PART NUMBER	NOMENCLATURE			
1-1	110454	Nut	1-47	Fig. reference							
1-2	100440	Washer	1-48	65672 (2)	Gasket						
1-3	Fig. reference		1-B	65821	② Insulator						
1-4	Fig. reference		1-49	65604	Rod						
1-5	102761	Screw	1-50	102290	Screw						
1-6	100352	Washer	1-51	63475	③ Lockplate						
1-7	61678	Plug	1-52	55636	Washer						
1-8	101326	Nut	1-53	Fig. reference							
1-9	105187	Screw	1-54	65674	Washer						
1-10	100004	Washer	1-55	63396	Insulator						
1-11	65404	① Frame	1-56	110353	Screw	<p>Changes in Figure 1</p>					
1-A	65396	Plug	1-57	102289	Screw				3-1	66648	④ Tank Assy
1-12	103746	Nut	1-58	100352	Washer				3-A	105788	Rivet
1-13	65471	Clutch	1-59	63070	Brace				3-2	64872	Grip
1-14	64583	Retainer	1-60	104534	Screw				3-3	105673	Pin
1-15	63999	Spring	1-61	104895	Screw				3-4	66194	Button
1-16	62198B	Shoe	1-62	110264	Washer				3-5	64871	Button & Rod
1-17	65475	Rotor	1-63	63748	Gasket				3-6	65816	Rod
1-18	62328	Spring	1-64	110341	Screw				3-7	61696	Seal
1-19	65472	Rivet	1-	64846	Spark Arr.				3-8	110378	Pin
1-20	64857	Pawl	1-65	103360	Screw	3-9	65734	Spring			
1-21	65473	Washer	1-66	110264	Washer	3-10	65864	Trigger			
1-	65370	Spkt. Kit	1-67	62380	Cover	3-11	105249	Screw			
1-22	65368	Sprocket	1-68	62379B	Baffle	3-12	64621	Shield			
1-23	110330	Bearing	1-69	64601	Body	3-13	64721	Bracket			
1-24	61692	Shim	1-70	62085A	Insulator	3-14	64650	Spring			
1-25	103879	Key	1-71	65503	Shroud	3-15	66306	Lever			
1-26	65866	Cover	1-72	Fig. reference		3-16	110469	Screw			
1-27	65813	Nut				3-17	65873	Wire			
1-28	65459	Nameplate	2-	65530	Guard Assy	3-18	65860	Button			
1-29	65815	Screen	2-1	102144	Screw	4-	66503	⑤ Carburetor			
1-30	62978	Screw	2-2	102067	Nut	5-1	101391	Nut			
1-31	63073	Housing	2-3	110387	Washer	5-2	61737A	Flywheel			
1-32	61721D	Cap Assy	2-4	61705	Nut	5-3	103879	Key			
1-33	64762	Cover	2-5	101174	Washer	5-4	101965	Screw			
1-34	60340	Spring	2-6	62371	Retainer	5-5	100003	Washer			
1-35	62316	Guide	2-7	63985	Shield	<i>Continued</i>					
1-36	63041	Valve	2-8	63986	Washer						
1-37	65671	Gasket	2-9	65526	Drum						
1-38	110334	Screw	2-10	110470	Rivet						
1-39	63656	Cover	2-11	62191A	Insert						
1-40	62102	Gasket	2-12	62190A	Handle						
1-41	64848	Hose	2-13	59952A	Rope						
1-42	63932	Filter	2-14	36059	Spring						
1-43	103124	Screw	2-15	63987	Shield						
1-44	64856	Washer	2-16	61635A	Bushing						
1-45	55636	Washer	2-17	65519	Guard						
1-46	65726	Sleeve									

### NOTES

- ① Frame assembly includes Plug, P/N 65396.
- ② Insulator - Carburetor See changes in Figure 1 in upper right corner of this page.
- ③ Lockplate replaces Washer, P/N 64856.
- ④ Tank Assembly includes two Rivets, P/N 105788, which must be removed for installation of the compression release bracket screws. Items 2 to 9 inclusive are not included in this tank assembly.
- ⑤ New Carburetor Assembly See page 3 of this parts list sheet.



FIG. & ITEM	PART NUMBER	NOMENCLATURE	FIG. & ITEM	PART NUMBER	NOMENCLATURE	FIG. & ITEM	PART NUMBER	NOMENCLATURE
5-6	51253	Retainer	5-62	62842	Washer	7-31	66504	Body
5-7	62741	Lamination	5-63	110289	Screw	7-32	65432	Orifice
5-8	62819	Wire	5-64	110288	Screw	7-33	63813	Orifice
5-9	62818A	Wire	5-65	100010	Cotter	7-34	59796	"O" Ring
5-10	62927A	Coil	5-66	61649	Pin	7-35	65724	Stud
5-11	62929A	Wire	5-67	62824	Piston Assy	7-36	62368	Bushing
5-12	62932	Connector	5-68	62814	Ring Set	7-37	62435	Seal
5-13	62926	Boot	5-69	103512	Bearing			
5-14	63097	Spark Plug	5-70	65401	Conn Rod			
5-15	110349	Screw	5-71	61627A	Screw			
5-16	62362	Cover	5-72	63225	Roller Set			
5-17	100298	Nut	5-73	65746	Seal			
5-18	62365	Spacer	5-74	63464	Ring			
5-19	110346	Screw	5-75	63429B	Bearing			
5-20	100934	Screw	5-76	65747	Seal			
5-21	105976	Washer	5-77	104357	Bearing			
5-22	105249	Screw	5-78	63336	Crankshaft			
5-23	61650	Condenser	5-79	64755	Valve			
5-24	62363	Breaker						
5-25	54184	Wiper						
5-26	62361	Box	6-1		MAC 10 Bar			
5-27	100414	Screw	6-2	64325	Plate			
5-28	100955	Nut	6-3		Chain Assy			
5-29	62261A	③ Housing						
5-30	62262	Cap						
5-31	62266	Plunger	7-	66503	⑤ Carburetor			
5-32	101056	"O" Ring	7-1	110397	Screw			
5-33	66687	Spring	7-2	65597	Plate			
5-34	62230	Gasket	7-3	65598	Diaphragm			
5-35	62909	Valve	7-4	55690B	Seal			
5-36	110291	Screw	7-5	65868	Valve Set			
5-37	63072	Cover	7-6	66153	Seat			
5-38	62116	Gasket	7-7	61151	Ball			
5-39	57129A	Cap	7-8	63041 (1)	Valve			
5-40	101148	"O" Ring	7-9	104814	Screw			
5-41	62123B	Hose	7-10	62290A	Plate			
5-42	51506	Screen	7-11	65677	Retainer			
5-43	110333	Screw	7-12	65617	Plug			
5-44	62274	Gasket	7-13	105617	"O" Ring			
5-45	62320C	Pump Assy	7-14	101289	Ring			
5-46	60260A	Piston	7-15	65859	Spring			
5-47	101758	"O" Ring	7-16	66552	Plunger			
5-48	60263	Ring	7-17	66551	"O" Ring			
5-49	60937	Washer	7-18	104728	Screw			
5-50	60259	Spring	7-19	110337	Pin			
5-51	62227	Sleeve	7-20	62310	Lever			
5-52	110386	Screw	7-21	62923A	Spring			
5-53	100251	Nut	7-22	63038	Valve			
5-54	63858	Cover	7-23	65445	Needle			
5-55	106104	"O" Ring	7-24	104001	"O" Ring			
5-56	62885A	Spring	7-25	110483	Screw			
5-57	102809	Ball	7-26	104814	Screw			
5-58	62321B	Body	7-27	65430	Lever			
5-59	62065	Bolt	7-28	65431	Needle			
5-60	64885	Crankcase	7-29	62975	Swivel			
5-61	62105	Screw	7-30	65428	Shaft			

ACCESSORY ITEMS

1	66285	Manual
2	62827	Wrench
3	63341A	Spike Kit
4	62825	Piston Assy
5	62813	Ring Set
6	103512	Bearing
7	62826	Piston Assy
8	62812	Ring Set
9	103512	Bearing
10	66316	Frame Kit
11	63432	Spark Plug
12	65325	Baffle
13	63746	Scrench
14	64430	⑦ Plate Set
15	65529	⑧ Spark Arr.
16	65712	⑨ Timing Guide
17	65778	⑩ Spark Plug

NOTES

- ③ Pump housing only. Not furnished as a complete pump assembly.
- ⑤ Kit - Reed spark arrester
- ⑦ Set - Bar protector plates
- ⑨ Timing Guide added to Accessory list
- ⑩ Spark Plug - AC CS 41T, added to Accessory list



Item No.	Description	Units Per Assy
5	Carburetor Assy	1
1	. Screw - Pan hd 8-32 x 7/16	5
2	. Plate - Carburetor base	1
3	. Diaphragm Assy - Pump	1
4	. Seal - Capillary	1
5	. Set - Ball and seat	1
6	. . Seat	1
7	. . Ball	1
8	. Valve - Primer	1
9	. Screw - 4-40 x 1/4 (Sems)	1
10	. Plate - Throttle	1
11	. Retainer - Primer plug	1
12	. Plug - Primer	1
13	. "O" Ring	1
14	. Ring - Retaining	1
15	. Spring - Plunger	1
16	. Plunger - Primer	1
17	. "O" Ring	2
18	. Screw - 6-32 x 1/4	1
19	. Pin - Inlet lever	1
20	. Lever - Inlet	1
21	. Spring - Inlet lever	1
22	. Valve - Needle	1
23	. Needle - Main fuel	1
24	. "O" Ring	1
25	. Screw - Adjustment	1
26	. Screw - 4-40 x 1/4 (Sems)	1
27	. Lever - Throttle	1
28	. Needle - Metering	1
29	. Swivel - Needle	1
30	. Shaft Assy - Carburetor	1
31	. Body Assy - Carburetor	1
32	. . Orifice - Air	1
33	. . Orifice - Fuel	1
34	. . "O" Ring	1
35	. . Stud - Carburetor	1
36	. . Bushing - Throttle shaft	2
37	Seal - Air cleaner	1

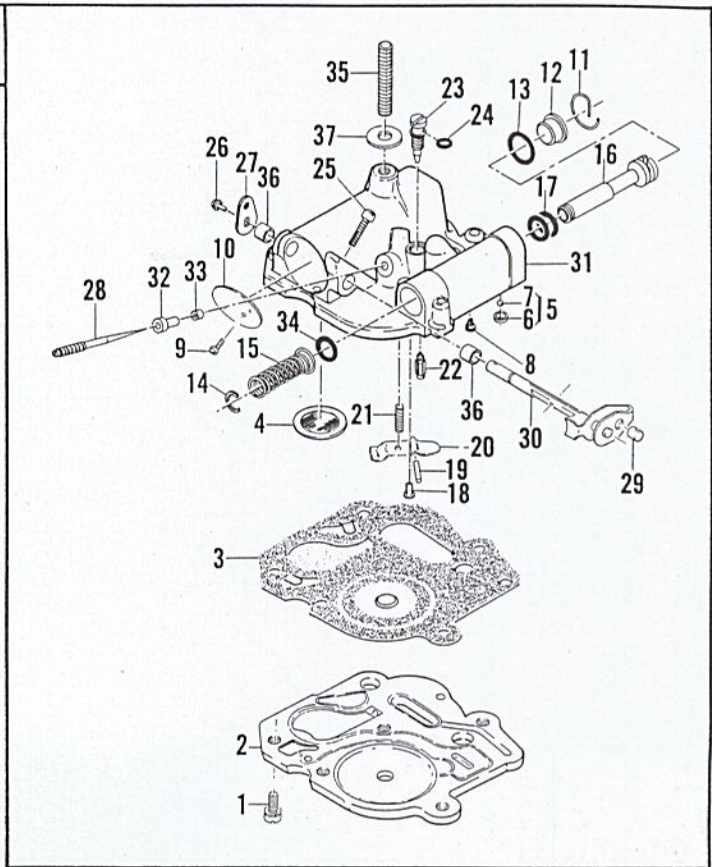


Figure 7. Carburetor



**McCULLOCH CORPORATION**  
6101 WEST CENTURY BLVD., LOS ANGELES, CALIFORNIA 90045

**McCULLOCH OF CANADA, LTD.**  
77 BELFIELD ROAD, REXDALE, ONTARIO, CANADA

**McCULLOCH INTERNATIONAL, INC.**  
POSTBUS 10, MALINES, BELGIUM  
G.P.O. BOX 879, HONG KONG, B.C.C.

**McCULLOCH OF AUSTRALIA PTY., LTD.**  
P.O. BOX 165, SOUTH GRANVILLE, N.S.W., AUSTRALIA

**McCULLOCH INTERNATIONAL (U.S.), INC.**  
P.O. BOX 45466 LOS ANGELES, CALIFORNIA, U.S.A.

66725