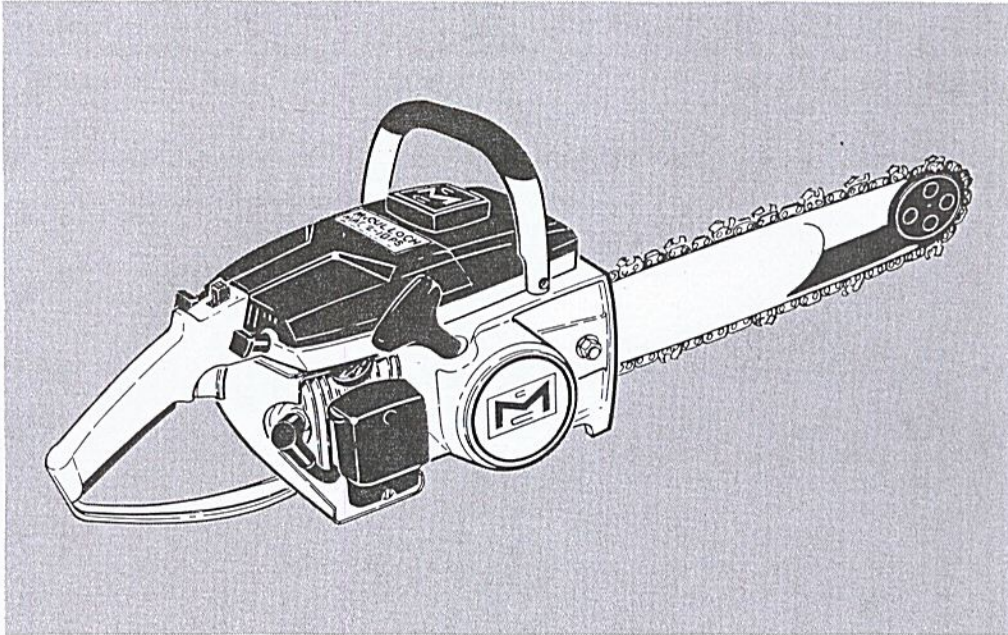


MAC 2-10PS Chain Saw

Serial Numbers Prefixed 11-

ILLUSTRATED PARTS LIST



AUGUST 1967

This parts list is number 2 of the lists issued for this model. If you are missing any of these lists, order them from your distributor.

The policy of McCulloch Corporation is one of continual improvement in design, manufacturing and engineering advancement wherever possible to assure still finer two-cycle power tools. Hence, specifications, equipment, colors, design and manufacturer's suggested list prices are subject to change without notice and McCulloch Corporation reserves the right to make such changes without prior notification or obligation to backfit or supply backfit components for units previously shipped from the factory.

	Page
Figure 1. Engine Exploded View - General	2
Figure 2. Clutch Guard and Starter Assembly	4
Figure 3. Fuel Tank Assembly	4
Figure 4. Carburetor Assembly	6
Figure 5. Powerhead Assembly	8
Figure 6. Power-Sharp System	10
Figure 7. Bar and Chain Assembly	10



McCULLOCH

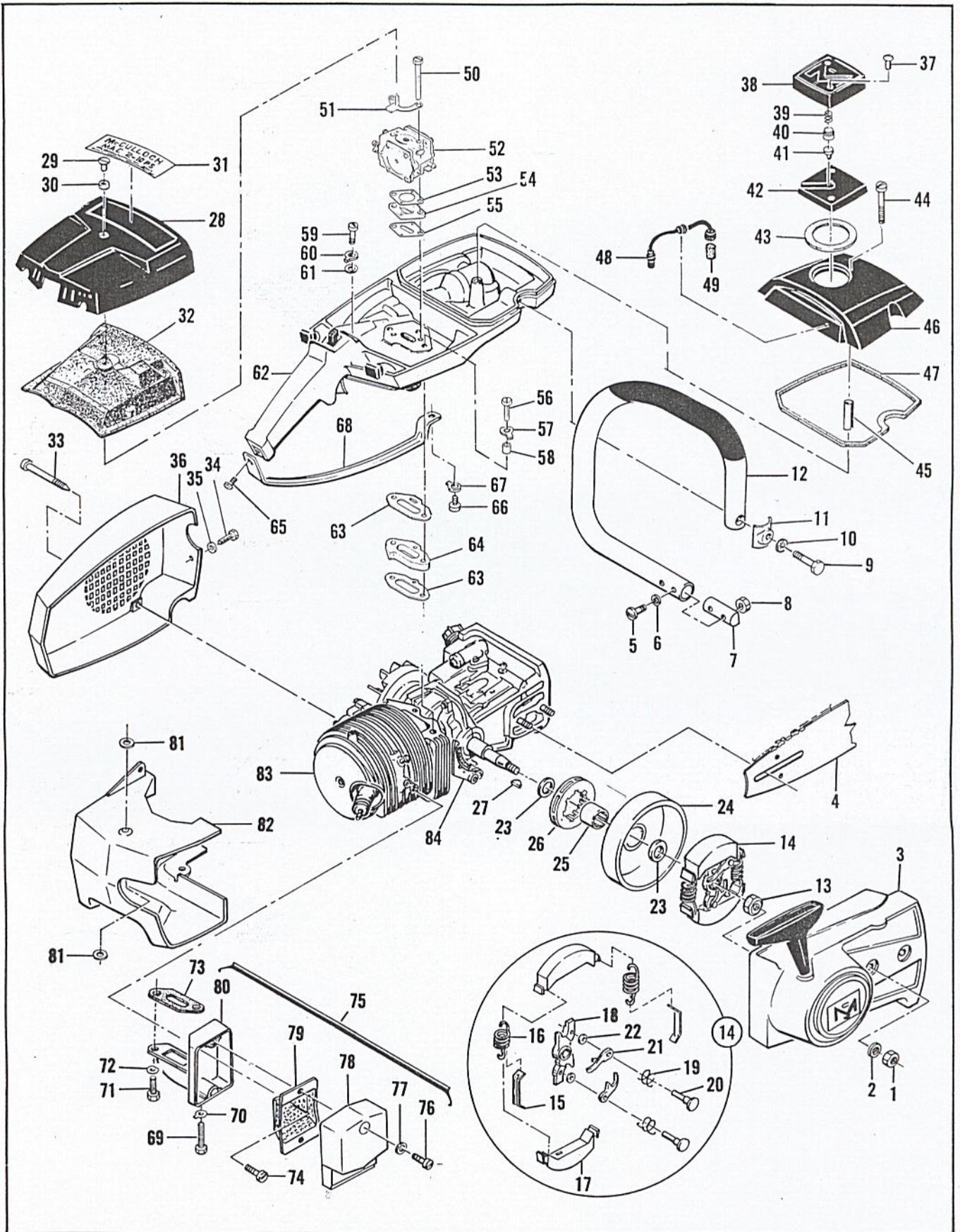


Figure 1. Engine Exploded View - General

FIGURE 1. ENGINE EXPLODED VIEW — GENERAL

Item No.	Part Number	Description	Units Per Assy
1	110454	Nut - Hex 5/16-24	2
2	100440	Washer - 5/16	2
3		Clutch Guard & Starter Assy (See Figure 2)	1
4		Bar & Chain Assy (See Figure 6)	1
5	102761	Screw - Hex hd 10-24 x 7/8	2
6	100352	Washer - #10	2
7	61678	Plug - Nut retainer	1
8	101326	Nut - Hex 10-24	2
9	102130	Screw - Hex hd 1/4-20 x 1-1/2	1
10	100153	Lockwasher - 1/4	1
11	63484	Clamp - Frame	1
12	66310	Frame & Grip Assy	1
13	103746	Nut - Flexloc 3/8-24	1
14	67148	Clutch Assy	1
15	64583	. Retainer - Clutch spring	2
16	66384	. Spring - Clutch	2
17	67233	. Shoe - Clutch	2
18	67149	. Rotor Assy - Clutch	1
19	67111	. . Spring - Pawl	2
20	67112	. . Rivet - Pawl	2
21	64857	. . Pawl - Starter	2
22	65473	. . Washer - Special	2
23	64031	Shim	2
24	67644	Drum & Bearing Assy	1
25	104519	. Bearing	1
26	67646	Sprocket	1
27	103879	Key - Woodruff	1
28	-66597	Cover Assy - Air cleaner	1
29	-66290	. Nut - Air cleaner cover	1
30	-66665	. Spacer	1
31	67433	Nameplate	1
32	-66652	Filter - Air	1
33	62978	Screw - Special	3
34	105348	Screw - 10-24 x 1/2	1
35	110264	Washer - #10	1
36	67117	Fan Housing	1
	67266	Cap Assy - Fuel	1
37	110510	. Rivet	2
38	67267	. Cover - Fuel cap	1
39	63040	. Spring	1
40	62316	. Guide - Spring	1
41	63041	. Valve	1
42	64761	. Body	1

Item No.	Part Number	Description	Units Per Assy
43	65671	. Gasket	1
44	110402	Screw - Oval hd 12-24 x 1-3/4	1
45	63270	Spacer - Screw	1
46	63288	Cover - Fuel tank	1
47	62102	Gasket - Fuel tank cover	1
48	64848	Hose Assy - Fuel	1
49	63932	. Filter - Fuel	1
50	103356	Screw - Hex hd 10-24 x 2-1/8	2
51	-66681	Bracket Assy	1
52		Carburetor Assy (See Figure 4)	1
53	-67904	Gasket - Carburetor	1
54	-66678	Spacer - Carburetor	1
55	-66752	Gasket - Spacer	1
56	-110505	Screw - Hex hd 10-24 x 1-3/8	2
57	-67888	Lockplate	2
58	-66189	Sleeve	2
59	110516	Screw - Hex hd 10-24 x 1-1/8	1
60	63475	Lockplate	1
61	64856	Washer - #10	1
62		Fuel Tank Assy (See Figure 3)	1
63	65674	Gasket - Fuel tank	2
64	66659	Insulator	1
65	110353	Screw - Oval hd 10-24 x 3/8	1
66	102289	Screw - Hex hd 10-24 x 3/4	1
67	28052	Lockplate	1
68	67141	Brace - Handle	1
69	110507	Screw - Hex hd 10-24 x 1-3/8	1
70	28052	Lockplate	1
71	110506	Screw - Hex hd 10-24 x 5/8	1
72	36388	Lockplate	1
73	62337	Gasket - Spark arrester	1
74	110341	Screw - Hex hd 10-24 x 1/2	1
75	64846	Kit - Spark arrester assy	1
76	102290	. Screw - Hex hd 10-24 x 1-1/8	2
77	110264	. Washer - #10	4
78	62380	. Cover Assy - Spark arrester	1
79	62379B	. Baffle - Spark arrester	1
80	64601	. Body & Duct Assy - Spark arrester	1
81	62085A	Insulator - Shroud	2
82	67377	Shroud - Cylinder	1
83		Powerhead Assy (See Figure 5)	1
84		Power-Sharp System (See Figure 6)	1

Part numbers which have changed since the previous printing of the illustrated parts list covering this model, are indicated by a dash (-) preceding the new part number. The dash precedes part numbers changed by a letter suffix as well as those changed to an entirely new number.

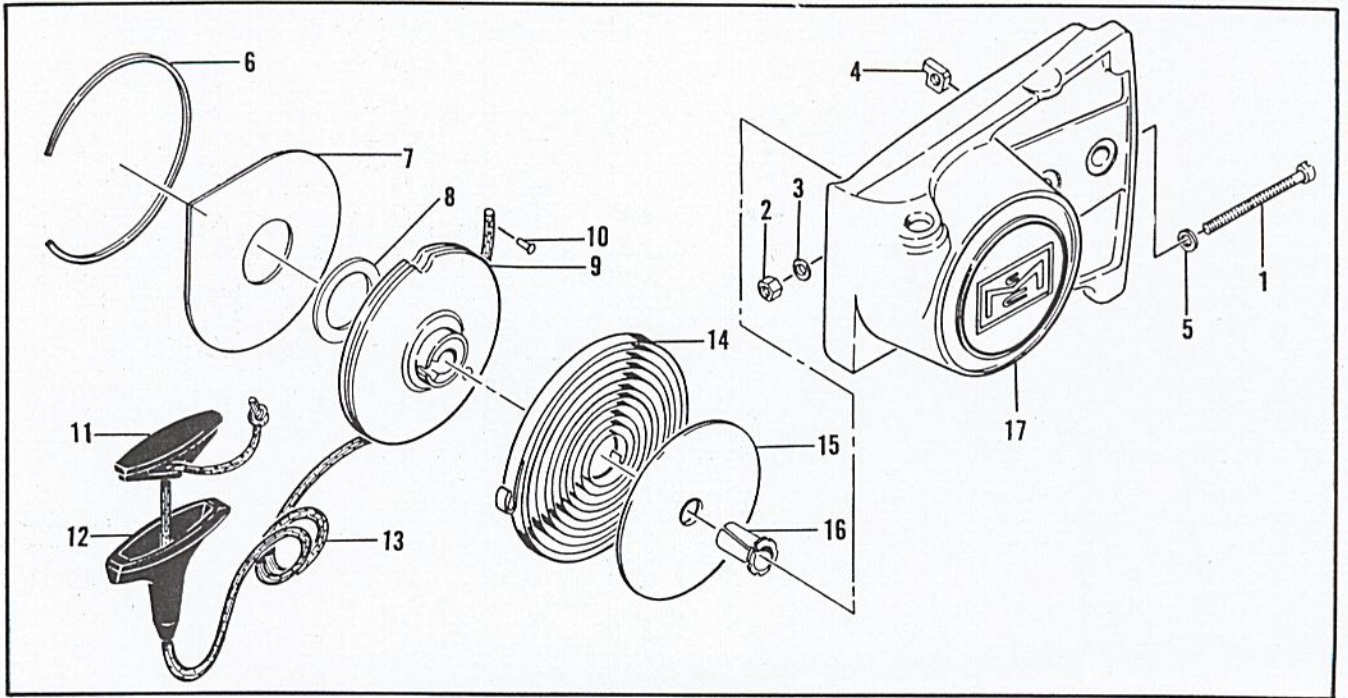


Figure 2. Clutch Guard and Starter Assembly

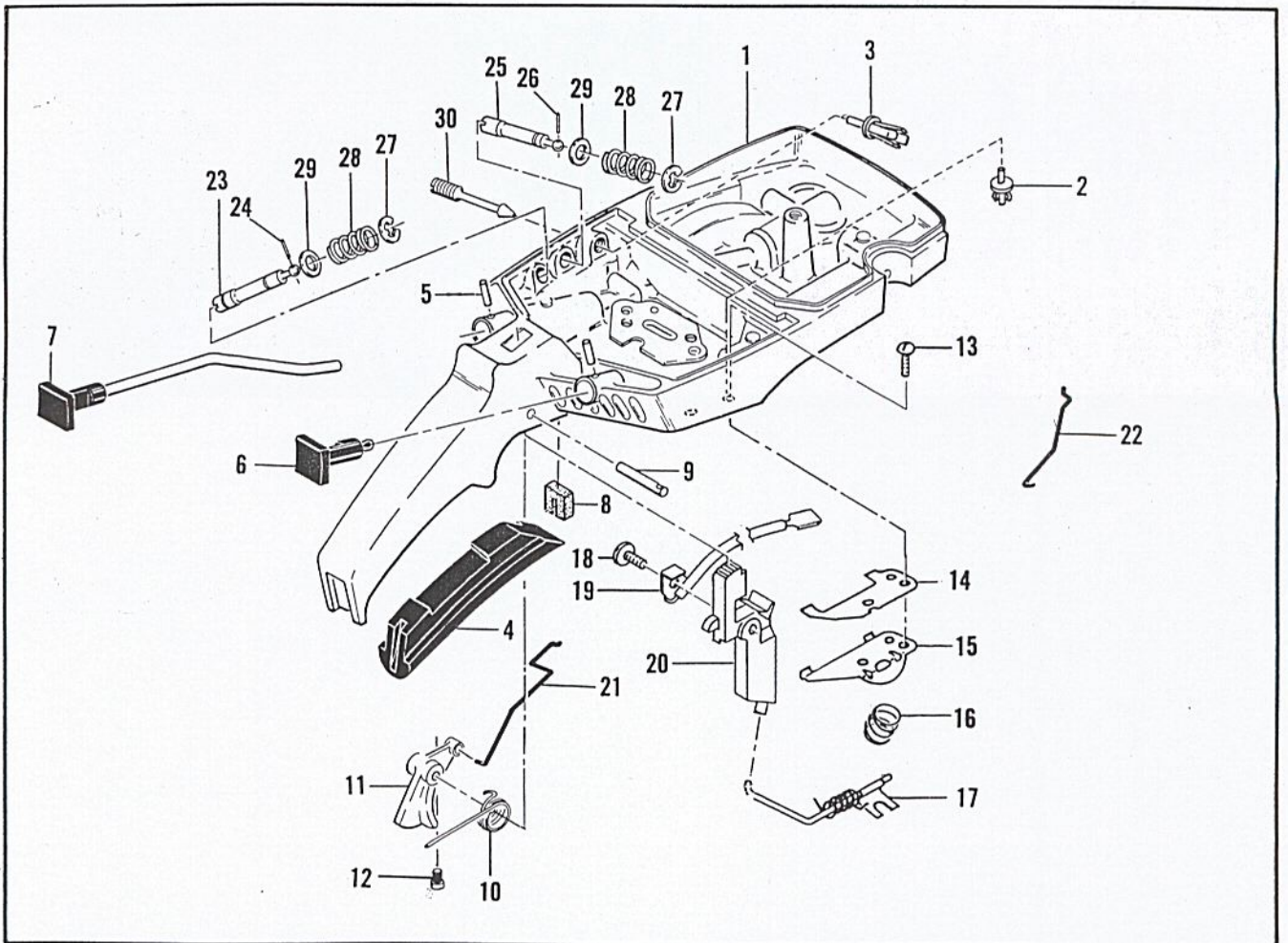


Figure 3. Fuel Tank Assembly

FIGURE 2. CLUTCH GUARD AND STARTER ASSEMBLY

Item No.	Part Number	Description	Units Per Assy
	67206	Clutch Guard Assy	1
1	102144	. Screw - Bar adjusting	1
2	102067	. Nut - Hex #10 lock	1
3	110387	. Washer - Wave	1
4	61705	. Nut - Bar adjusting	1
5	101174	. Washer - #10	1
6	67205	. Retainer - Shield	1
7	63985	. Shield - Dust	1
8	63986	. Washer - Thrust	1

Item No.	Part Number	Description	Units Per Assy
9	65526	. Drum - Starter	1
10	110470	. Rivet - Starter rope	1
11	62191A	. Insert - Starter rope	1
12	62190A	. Handle - Starter	1
13	67125	. Rope - Starter	1
14	36059	. Spring - Starter rewind	1
15	63987	. Shield - Starter spring	1
16	61635A	. Bushing - Nyliner	1
17	67207	. Guard - Clutch	1

FIGURE 3. FUEL TANK ASSEMBLY

Item No.	Part Number	Description	Units Per Assy
1	- 67200	Fuel Tank Assy	1
2	105788	. Rivet	2
3	- 110531	. Rivet	3
4	64872	Grip - Handle	1
5	105673	Pin - Roll 3/32 x 9/16	2
6	- 67374	Button - Choke	1
7	64871	Button & Rod Assy	1
8	61696	Seal - Throttle rod	1
9	110378	Pin - Roll 3/16 x 1-1/8	1
10	65734	Spring - Throttle return	1
11	- 67224	Trigger	1
12	- 110508	Screw - Trigger adjustment	1
13	105249	Screw - Rd hd 8-32 x 3/8	2
14	64621	Shield	1
15	64721	Bracket - Lever Assy	1
16	64650	Spring - Valve	1

Item No.	Part Number	Description	Units Per Assy
17	- 67220	Lever Assy - Compression release	1
18	110469	Screw -Pan hd 8-32 x 5/16	1
19	65873	Wire Assy - Stop switch	1
20	- 67209	Button - Control	1
21	- 66676	Rod - Throttle	1
22	- 67355	Rod - Choke	1
23	- 67369	Extension Assy - High speed	1
24	- 110509	. Pin - Groove	1
25	- 67368	Extension Assy - Idle	1
26	- 110509	. Pin - Groove	1
27	- 110512	Ring - Retaining	2
28	- 67363	Spring	2
29	- 67292	Washer	2
30	- 67271	Screw - Idle adjustment	1

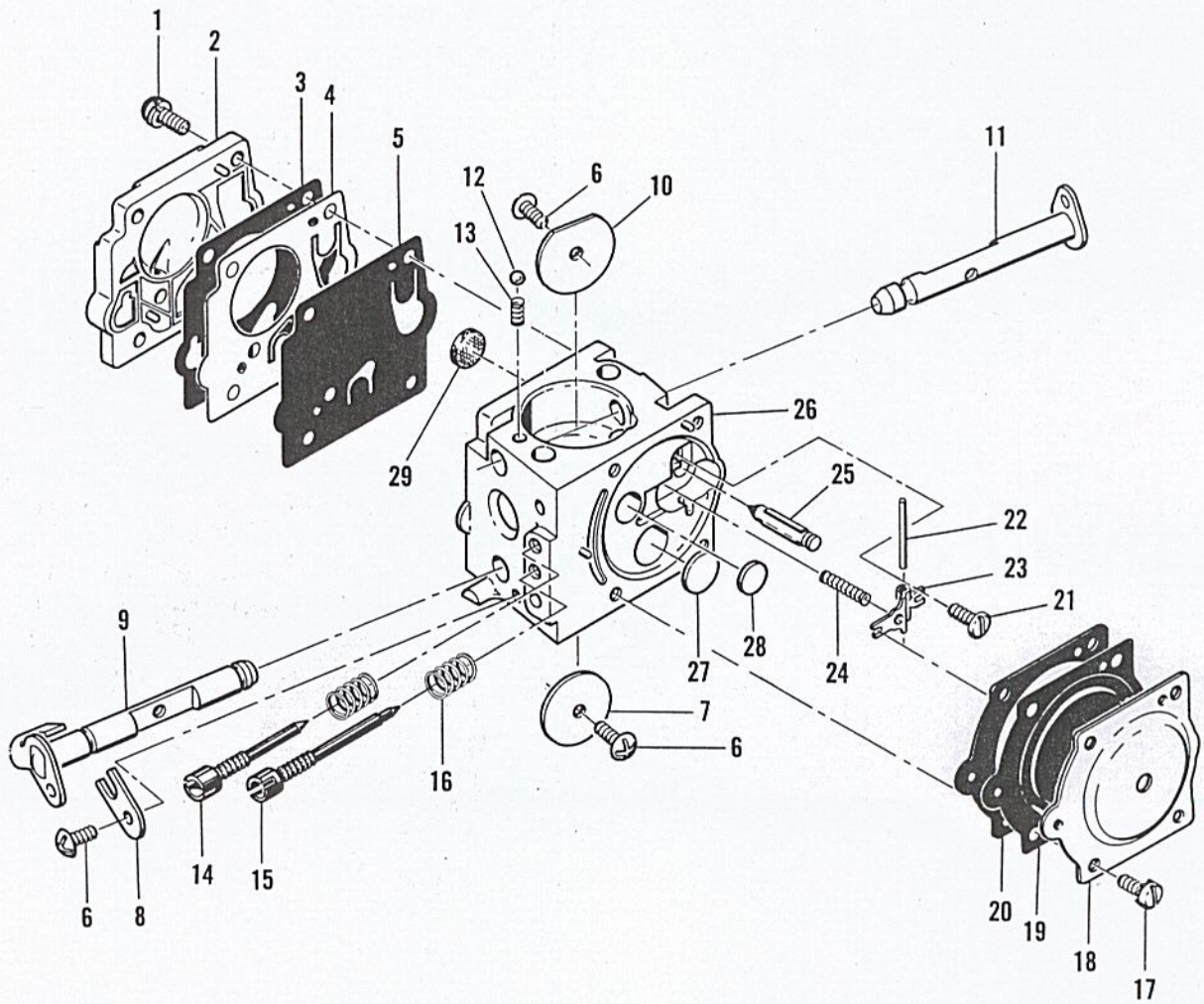


Figure 4. Carburetor Assembly

FIGURE 4. CARBURETOR ASSEMBLY

Item No.	Part Number	Description	Units Per Assy
	- 67379	Carburetor Assy	1
1	- 67501	. Screw - Pump cover	4
2	- 67484	. Cover - Pump	1
3 *	- 67495	. Gasket - Cover	1
4 *	- 67498	. Diaphragm - Check valve	1
5 *	- 67497	. Diaphragm - Fuel pump	1
6 *	- 47690	. Screw - Plate	3
7	- 67487	. Plate - Throttle	1
8	- 67489	. Clip - Shaft	1
9	- 67486	. Shaft Assy - Throttle	1
10	- 67490	. Plate - Choke	1
11	- 67488	. Shaft Assy - Choke	1
12 *	- 67494	. Ball - Choke friction	1
13 *	- 67504	. Spring - Choke	1
14 *	- 67506	. Needle - High speed	1
15 *	- 67505	. Needle - Idle	1
16 *	- 67502	. Spring - Needle	2

Item No.	Part Number	Description	Units Per Assy
17	- 70798	. Screw - Diaphragm cover	4
18	- 67485	. Cover - Diaphragm	1
19 *	- 67499	. Diaphragm - Metering	1
20 *	- 67496	. Gasket - Diaphragm	1
21 *	- 67500	. Screw - Lever pin	1
22 *	- 67508	. Pin - Lever	1
23 *	- 67509	. Lever - Metering	1
24 *	- 67503	. Spring - Lever	1
25 *	- 67491	. Valve - Needle	1
26	- 67483	. Body Assy - Carburetor	1
27 *	- 67492	. . Plug - 3/8	1
28 *	- 67493	. . Plug - 5/16	1
29 *	- 67507	. . Screen - Fuel	1
	* 67482	Gasket Set	
	67481	Repair Kit	

* Indicates parts included in Repair Kit, P/N 67481

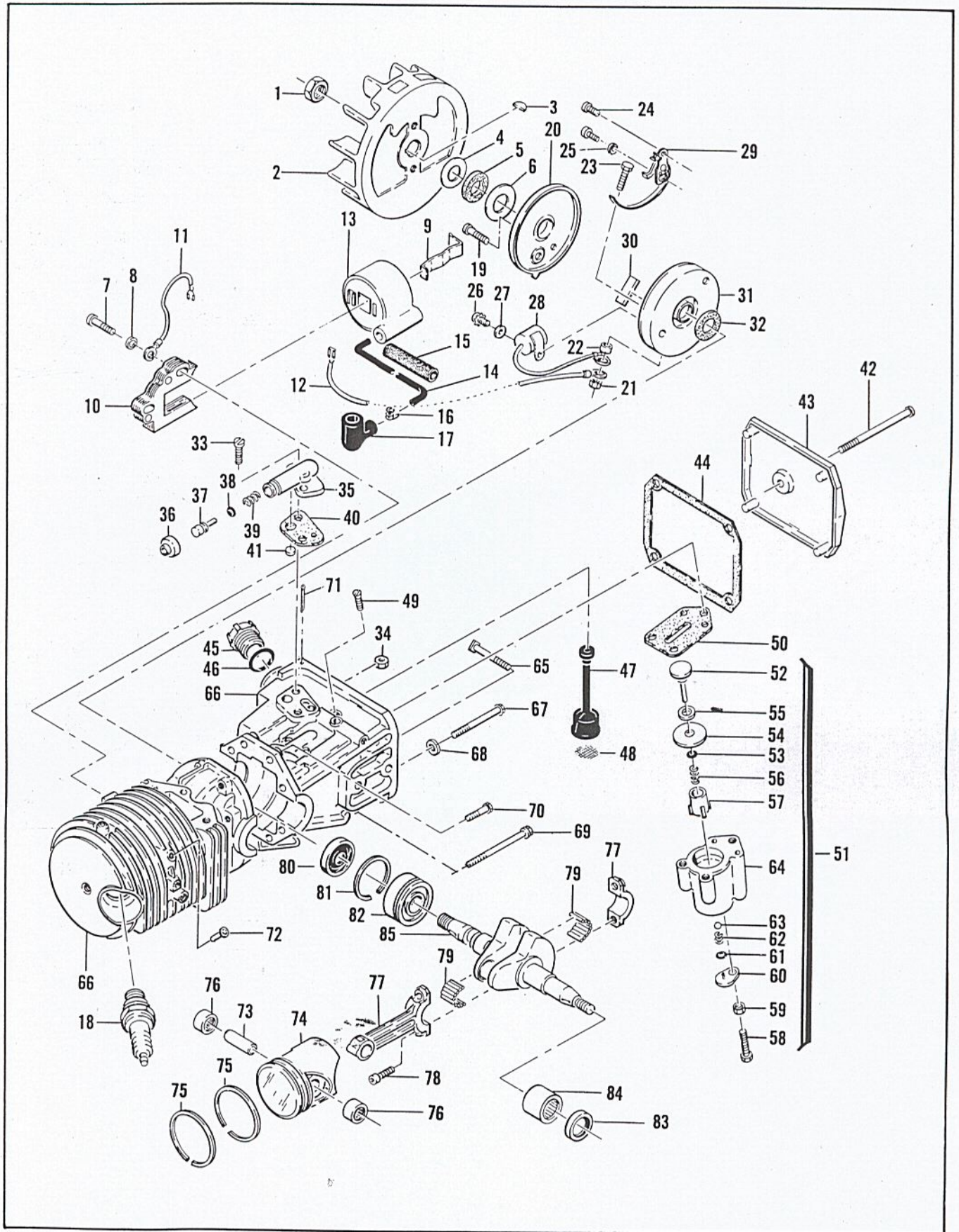


Figure 5. Powerhead Assembly

FIGURE 5. POWERHEAD ASSEMBLY

Item No.	Part Number	Description	Units Per Assy
1	101391	Nut - Hex 3/8-24	1
2	61737A	Flywheel Assy	1
3	103879	Key - Flywheel	1
4	67057	Washer - Thrust	1
5	67056	Seal - Cover	1
6	67054	Washer - Thrust	1
7	110127	Screw - Fil hd 10-24 x 7/8 (SEMS)	2
8	100003	Washer - #10	2
9	51253	Retainer - Coil	1
10	62741	Lamination Assy	1
11	62819	Wire Assy - Ground	1
12	62818A	Wire Assy - Primary	1
13	62927A	Coil & Terminal Assy	1
14	67300	. Wire & Sleeve Assy - Spark plug	1
15	67127	. . Sleeve	1
16	62932	. . Connector	1
17	62926	. . Boot	1
18	63097	Spark Plug (packaged)	1
19	110349	Screw - Rd hd 8-32 x 3/4	1
20	62362	Cover - Breaker box	1
21	100298	Nut - Hex 6-32	1
22	62365	Spacer - Breaker screw	1
23	110346	Screw - Hex hd 6-32 x 3/4	1
24	100934	Screw - Rd hd 8-32 x 3/8	2
25	105976	Washer - #8	1
26	105249	Screw - Rd hd 8-32 x 3/8 (SEMS)	1
27	100080	Washer - #8	1
28	61650	Condenser	1
29	62363	Breaker Assy	1
30	54184	Wiper - Cam	1
31	62361	Box - Breaker	1
32	67051	Seal - Breaker box	1
33	100414	Screw - 8-32 x 1/2	2
34	100955	Nut - Hex 8-32	1
35	62261A	Housing - Oil pump	1
36	62262	Cap - Oil pump	1
37	62266	Plunger - Oil pump	1
38	101056	"O" Ring	1
39	66687	Spring - Oil pump	1
40	62230	Gasket - Oil pump	1
41	62909	Valve - Oil pump	1

Item No.	Part Number	Description	Units Per Assy
42	110291	Screw - Pan hd 10-24 x 2-3/4	1
43	63072	Cover - Oil tank	1
44	62116	Gasket - Oil tank cover	1
45	57129A	Cap - Oil	1
46	101148	"O" Ring	1
47	62123B	Hose Assy - Oil	1
48	51506	. Screen - Oil hose	1
49	110333	Screw - Oval hd 8-32 x 1/2	3
50	62274	Gasket - Pulse pump	1
51	62320C	Pulse Pump Assy	1
52	60260A	. Piston Assy - Pulse oiler	1
53	104001	. "O" Ring	1
54	60263	. Ring - Piston oiler	1
55	60937	. Washer - Teflon	1
56	60259	. Spring - Piston oiler	1
57	62227	. Sleeve - Oiler adjustment	1
58	110386	. Screw - Hex hd 8-32 x 1	1
59	100251	. Nut - Hex 8-32	1
60	63858	. Cover Assy - Outlet valve	1
61	106104	. "O" Ring	1
62	62885A	. Spring - Outlet valve	1
63	102809	. Ball - 3/32 in. dia.	1
64	62321B	. Body Assy - Pulse pump	1
65	62065	Bolt - Bar mounting	2
66	67366	Crankcase Assy	1
67	62105	. Screw Assy - Sealing	4
68	62842	. . Washer - Sealing	4
69	110491	. Screw Assy - 1-5/8	2
70	110288	. Screw Assy - 8-32 x 3/4	2
71	100010	. Cotter Pin - 3/32 x 1/2	1
72	64755	. Valve - Comp. release	1
73	61649	Pin - Piston	1
74	62824	Piston Assy	1
75	62814	. Ring Set - Piston	1
76	103512	. Bearing - Needle	2
77	65401	Connecting Rod Assy	1
78	61627A	. Screw - Socket hd 8-36 x 1/2	2
79	63225	. Roller - Needle (Set of 20)	1
80	65746	Oil Seal	1
81	63464	Ring - Snap	1
82	63429B	Bearing - Ball	1
83	65747	Oil Seal	1
84	104357	Bearing - Needle	1
85	63336	Crankshaft	1

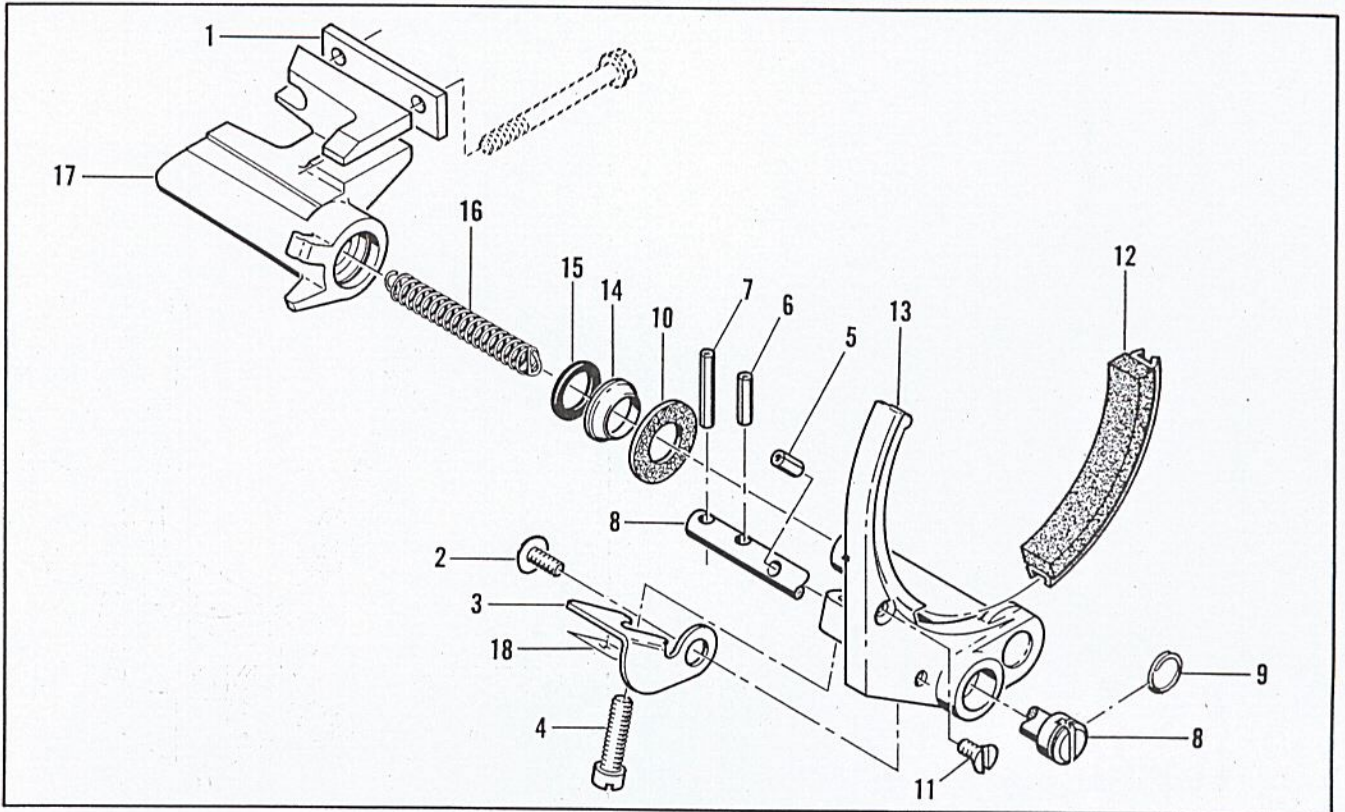


Figure 6. Power-Sharp System

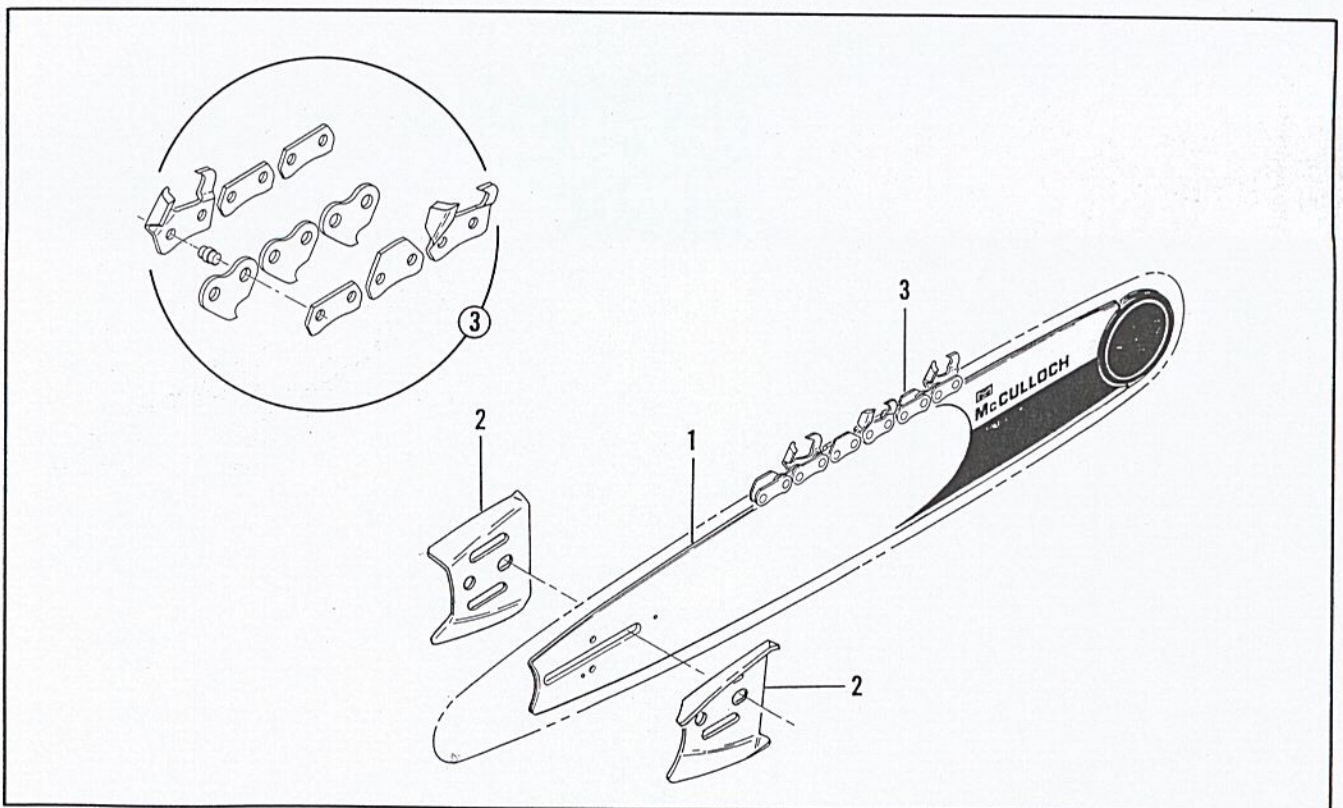


Figure 7. Bar and Chain Assembly

FIGURE 6. POWER-SHARP SYSTEM

Item No.	Part Number	Description	Units Per Assy
1	66307	Plate - Base	1
	67928	Sharpener Assy	1
2	105027	. Screw - Tr hd 8-32 x 7/16	1
3	66075	. Bracket - Arm	1
4	110497	. Screw - Fil hd 10-32 x 3/4	1
5	105661	. Pin - Roll 1/8 x 3/8	1
6	103127	. Pin - Roll 1/8 x 1/2	1
7	105651	. Pin - Roll 1/8 x 11/16	1
8	67878	. Shaft - Locking	1
9	67879	. Ring - Retaining	1

Item No.	Part Number	Description	Units Per Assy
10	67881	. Washer - Felt	1
11	110492	. Screw - Fl hd 8-32 x 5/16	1
12	67648	. Stone Assy	1
13	67882	. Arm - Sharpener	1
14	66068	. Scraper - Dirt	1
15	105607	. "O" Ring	1
16	66070	. Spring - Arm	1
17	67886	. Base	1
18	67523	. Label - Grinder adj	1

FIGURE 7. BAR AND CHAIN ASSEMBLIES

Item No.	Part Number	Description
1		Bar - Roller-Mac
2	64325	Bar Protector Plate (set of 2)

Item No.	Part Number	Description
3		Chain Assy - Duo-Sharp

ACCESSORIES

Item No.	Part Number	Description
1	67943	Owner's Manual
2	67880	Wrench - Screwdriver combination
3	63341A	Kit - Spike, 4-tooth
4	62825	Piston Assy - 0.020 in. oversize
5	62813	. Ring Set - Piston 0.020 in. oversize
6	103512	. Bearing - Needle (2)
7	62826	Piston Assy - 0.030 in. oversize
8	62812	. Ring Set - Piston 0.030 in. oversize
9	103512	. Bearing - Needle (2)
10	66316	Kit - Wrap-around frame
11	65325	Baffle - Spark arrester (Alternate)

Item No.	Part Number	Description
12	63746	Kit - Combination wrench
13	65529	Kit - Reed spark arrester
14	63490	Tool - Fuel orifice
15	63357	Probe - Carburetor test
16	63432	Spark Plug - AC CS 42T
17	65778	Spark Plug - AC CS 41T
18	65712	Timing Guide
19	64330	Plate Set - Bar
20	66082	Owner's Manual Addendum
21	67839	Kit - Chain repair
22	66966	File Guide