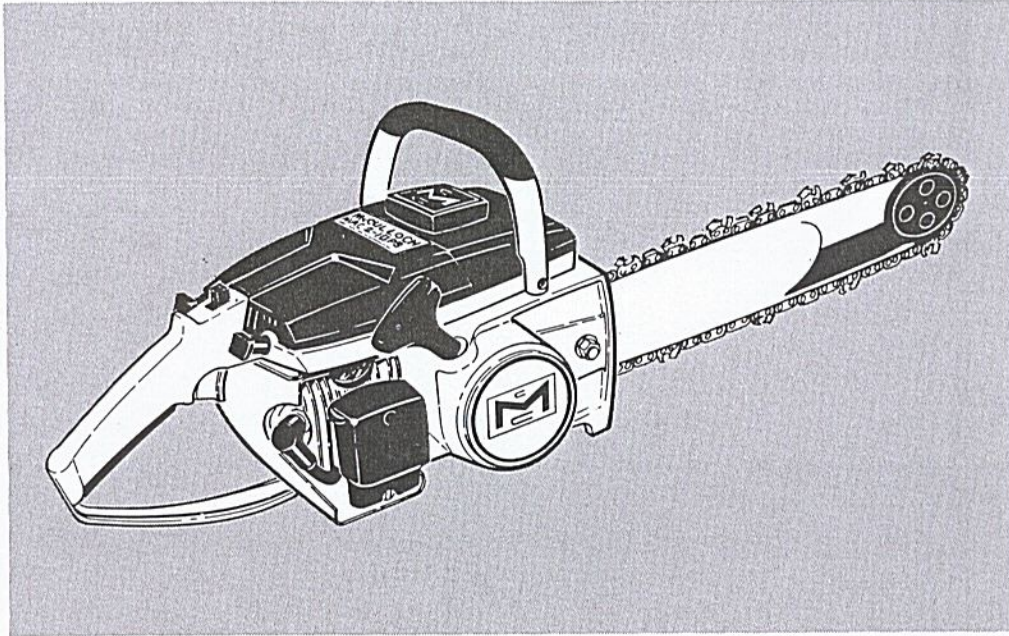


# MAC 2-10PS Chain Saw

Serial Numbers Prefixed 10-

## ILLUSTRATED PARTS LIST



**JULY 1967**

The following pages contain an Illustrated Parts List for this model. Due to small differences between engines, it is important that the Serial Number be included whenever spare parts are ordered.

The policy of McCulloch Corporation is one of continual improvement in design, manufacturing and engineering advancement wherever possible to assure still finer two-cycle power tools. Hence, specifications, equipment, colors, design and manufacturer's suggested list prices are subject to change without notice and McCulloch Corporation reserves the right to make such changes without prior notification or obligation to backfit or supply backfit components for units previously shipped from the factory.

	Page
Figure 1. Engine Exploded View - General .....	2
Figure 2. Clutch Guard and Starter Assembly.....	4
Figure 3. Fuel Tank Assembly.....	4
Figure 4. Carburetor Assembly.....	6
Figure 5. Powerhead Assembly .....	8
Figure 6. Power-Sharp System .....	10
Figure 7. Bar and Chain Assembly.....	10



# McCULLOCH



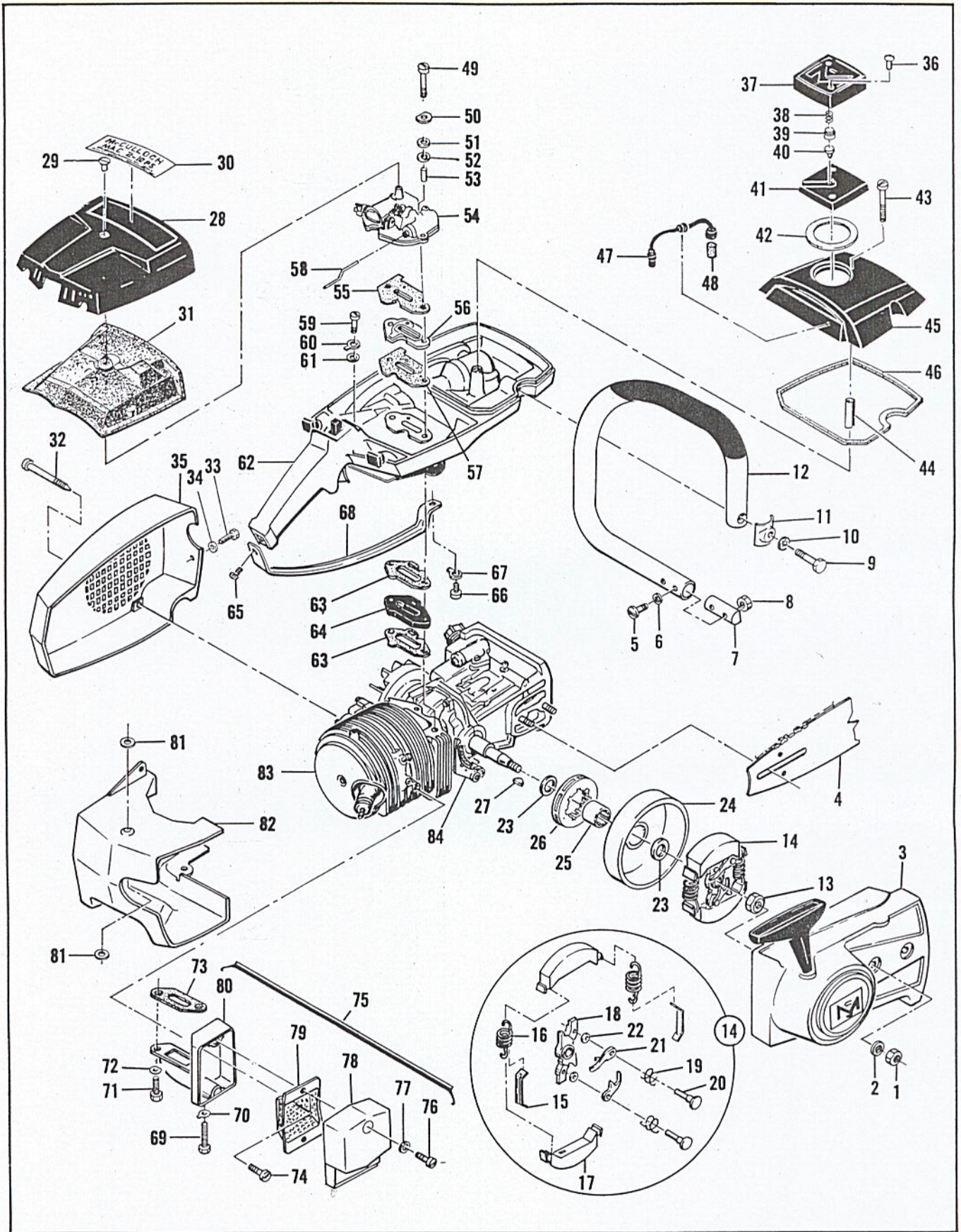


Figure 1. Engine Exploded View - General



FIGURE 1. ENGINE EXPLODED VIEW — GENERAL

Item No.	Part Number	Description	Units Per Assy
1	110454	Nut - Hex 5/16-24	2
2	100440	Washer - 5/16	2
3		Clutch Guard & Starter Assy (See Figure 2)	1
4		Bar & Chain Assy (See Figure 6)	1
5	102761	Screw - Hex hd 10-24 x 7/8	2
6	100352	Washer - #10	2
7	61678	Plug - Nut retainer	1
8	101326	Nut - Hex 10-24	2
9	102130	Screw - Hex hd 1/4-20 x 1-1/2	1
10	100153	Lockwasher - 1/4	1
11	63484	Clamp - Frame	1
12	66310	Frame & Grip Assy	1
13	103746	Nut - Flexloc 3/8-24	1
14	67148	Clutch Assy	1
15	64583	. Retainer - Clutch spring	2
16	66384	. Spring - Clutch	2
17	67233	. Shoe - Clutch	2
18	67149	. Rotor Assy - Clutch	1
19	67111	. . Spring - Pawl	2
20	67112	. . Rivet - Pawl	2
21	64857	. . Pawl - Starter	2
22	65473	. . Washer - Special	2
23	64031	Shim	2
24	67644	Drum & Bearing Assy	1
25	104519	. Bearing	1
26	67646	Sprocket	1
27	103879	Key - Woodruff	1
28	65750	Cover Assy - Air cleaner	1
29	65720	. Nut - Air cleaner cover	1
30	67433	Nameplate	1
31	66571	Filter - Air	1
32	62978	Screw - Special	3
33	105348	Screw - 10-24 x 1/2	1
34	110264	Washer - #10	1
35	67117	Fan Housing	1
	67266	Cap Assy - Fuel	1
36	110510	. Rivet	2
37	67267	. Cover - Fuel cap	1
38	63040	. Spring	1
39	62316	. Guide - Spring	1
40	63041	. Valve	1
41	64761	. Body	1
42	65671	. Gasket	1

Item No.	Part Number	Description	Units Per Assy
43	110402	Screw - Oval hd 12-24 x 1-3/4	1
44	63270	Spacer - Screw	1
45	63288	Cover - Fuel tank	1
46	62102	Gasket - Fuel tank cover	1
47	64848	Hose Assy - Fuel	1
48	63932	. Filter - Fuel	1
49	103356	Screw - Hex hd 10-24 x 2-1/8	2
50	36388	Lockplate	2
51	64856	Washer - #10	2
52	55636	Washer - Insulator	2
53	65726	Sleeve - Insulator	2
54		Carburetor Assy (See Figure 4)	1
55	65672	Gasket - Carburetor	1
56	67380	Insulator - Carburetor	1
57	67235	Gasket - Insulator	1
58	65758	Rod - Primer	1
59	110516	Screw - Hex hd 10-24 x 1-1/8	1
60	63475	Lockplate	1
61	64856	Washer - #10	1
62		Fuel Tank Assy (See Figure 3)	1
63	65674	Gasket - Fuel tank	2
64	66659	Insulator	1
65	110353	Screw - Oval hd 10-24 x 3/8	1
66	102289	Screw - Hex hd 10-24 x 3/4	1
67	28052	Lockplate	1
68	67141	Brace - Handle	1
69	110507	Screw - Hex hd 10-24 x 1-3/8	1
70	28052	Lockplate	1
71	110506	Screw - Hex hd 10-24 x 5/8	1
72	36388	Lockplate	1
73	62337	Gasket - Spark arrester	1
74	110341	Screw - Hex hd 10-24 x 1/2	1
75	64846	Kit - Spark arrester assy	1
76	102290	. Screw - Hex hd 10-24 x 1-1/8	2
77	110264	. Washer - #10	4
78	62380	. Cover Assy - Spark arrester	1
79	62379B	. Baffle - Spark arrester	1
80	64601	. Body & Duct Assy - Spark arrester	1
81	62085A	Insulator - Shroud	2
82	67377	Shroud - Cylinder	1
83		Powerhead Assy (See Figure 5)	1
84		Power-Sharp System (See Figure 6)	1



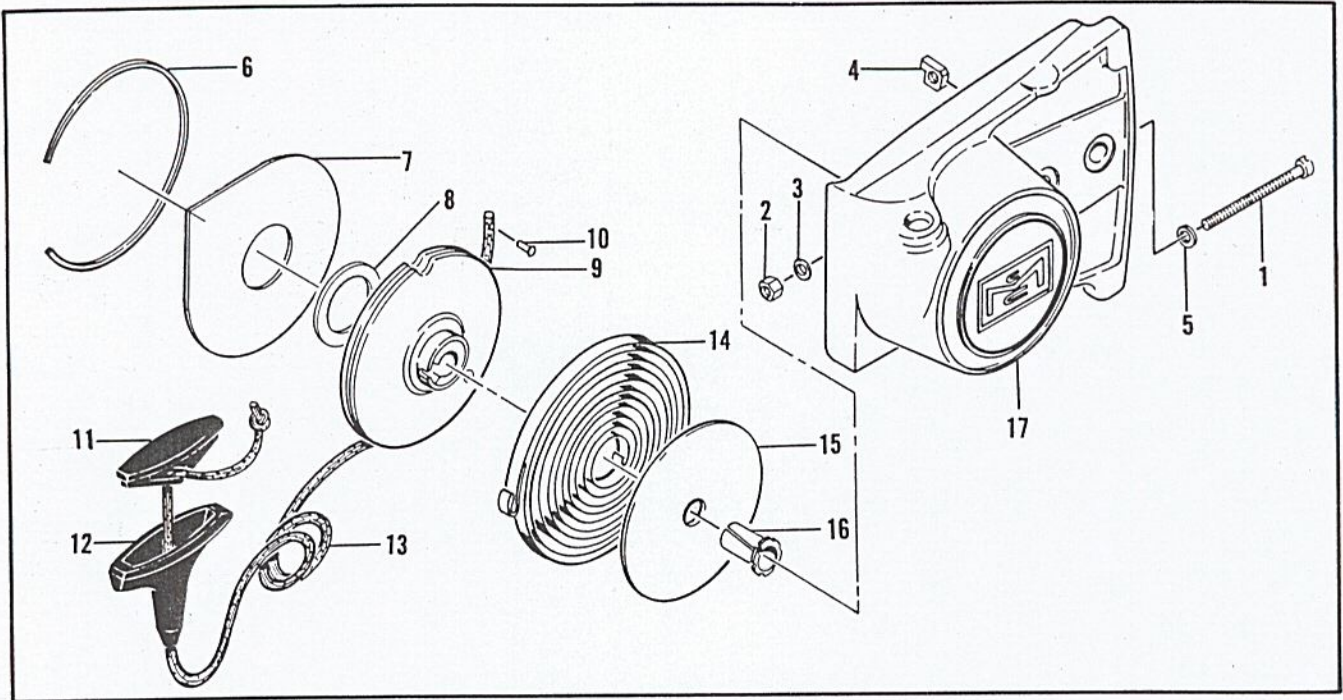


Figure 2. Clutch Guard and Starter Assembly

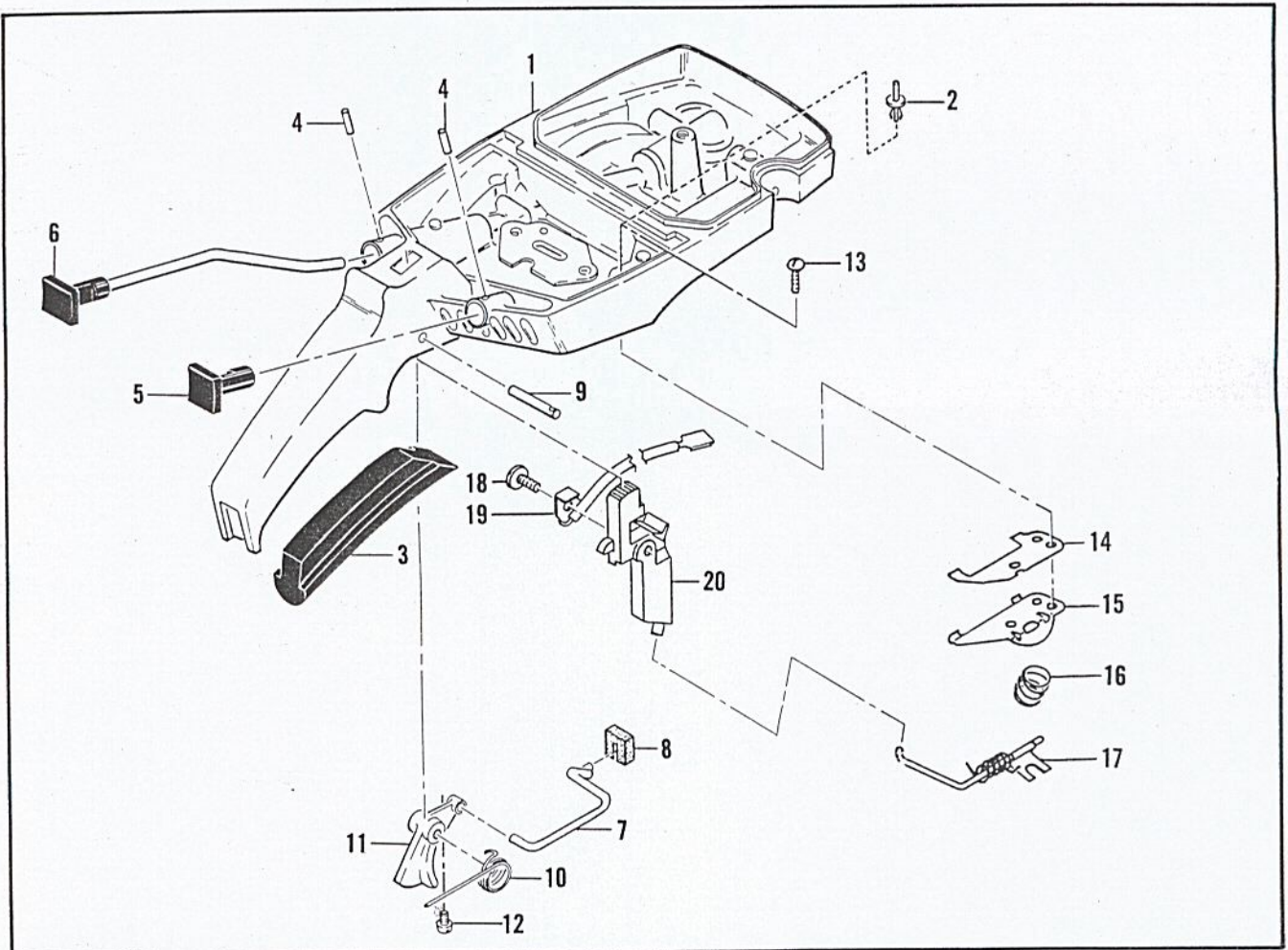


Figure 3. Fuel Tank Assembly



FIGURE 2. CLUTCH GUARD AND STARTER ASSEMBLY

Item No.	Part Number	Description	Units Per Assy
	67206	Clutch Guard Assy	1
1	102144	. Screw - Bar adjusting	1
2	102067	. Nut - Hex #10 lock	1
3	110387	. Washer - Wave	1
4	61705	. Nut - Bar adjusting	1
5	101174	. Washer - #10	1
6	67205	. Retainer - Shield	1
7	63985	. Shield - Dust	1
8	63986	. Washer - Thrust	1

Item No.	Part Number	Description	Units Per Assy
9	65526	. Drum - Starter	1
10	110470	. Rivet - Starter rope	1
11	62191A	. Insert - Starter rope	1
12	62190A	. Handle - Starter	1
13	67125	. Rope - Starter	1
14	36059	. Spring - Starter rewind	1
15	63987	. Shield - Starter spring	1
16	61635A	. Bushing - Nyliner	1
17	67207	. Guard - Clutch	1

FIGURE 3. FUEL TANK ASSEMBLY

Item No.	Part Number	Description	Units Per Assy
1	66648	Fuel Tank Assy	1
2	105788	. Rivet	2
3	64872	Grip - Handle	1
4	105673	Roll Pin - 3/32 x 9/16	2
5	66194	Button - Primer	1
6	64871	Button & Rod Assy - Oiler	1
7	66156	Rod - Throttle	1
8	61696	Seal - Throttle rod	1
9	110378	Roll Pin - 3/16 x 1-1/8	1
10	65734	Spring - Trigger	1
11	67224	Trigger	1

Item No.	Part Number	Description	Units Per Assy
12	110508	Screw - Fil hd 8-36 x 5/16	1
13	105249	Screw - Rd hd 8/32 x 3/8	2
14	64621	Shield - Heat	1
15	64721	Bracket - Compression release	1
16	64650	Spring - Valve	1
17	67220	Lever Assy - Compression release	1
18	110469	Screw - Pan hd 8/32 x 5/16	1
19	65873	Wire Assy - Stop switch	1
20	67209	Button Assy	1



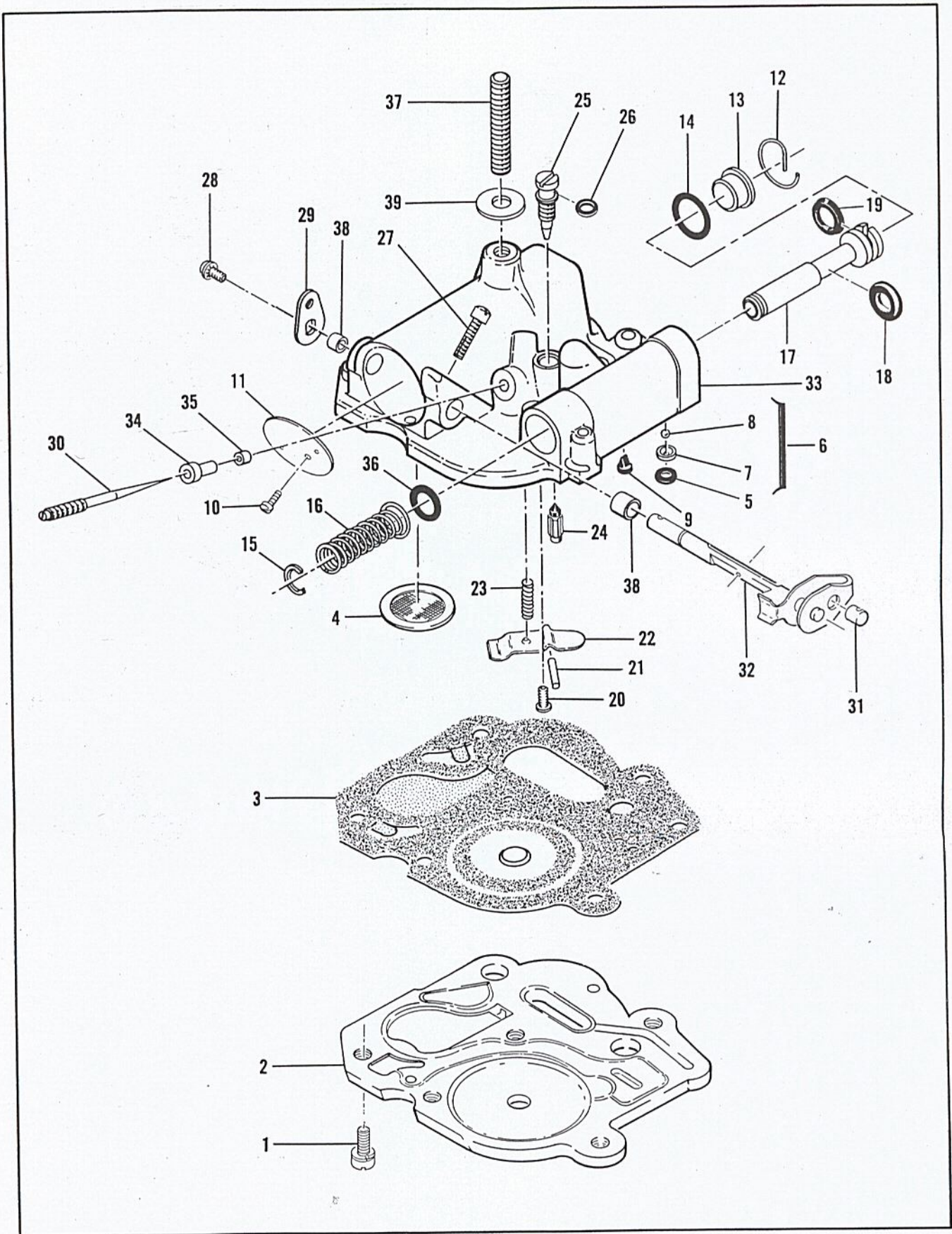


Figure 4. Carburetor



FIGURE 4. CARBURETOR ASSEMBLY

Item No.	Part Number	Description	Units Per Assy
	66503	Carburetor Assy	1
1	110397	. Screw - Pan hd 8-32 x 7/16	5
2	65597	. Plate - Carburetor base	1
3	67357	. Diaphragm Assy - Pump	1
4	66796	. Seal - Capillary	1
5	106136	. "O" Ring	1
6	65868	. Set - Ball and seat	1
7	66153	. . Seat	1
8	61151	. . Ball	1
9	63041	. Valve - Primer <i>86402</i>	1
10	104814	. Screw - 4-40 x 1/4 (SEMS)	1
11	62290A	. Plate - Throttle	1
12	65677	. Retainer - Primer plug	1
13	65617	. Plug - Primer	1
14	105617	. "O" Ring	1
15	101289	. Ring - Retaining	1
16	65859	. Spring - Plunger	1
17	66552	. Plunger - Primer	1
18	66551	. "O" Ring	1
19	67116	. "V" Packing	1

Item No.	Part Number	Description	Units Per Assy
20	104728	. Screw - 6-32 x 1/4	1
21	110337	. Pin - Inlet lever	1
22	62310	. Lever - Inlet	1
23	62923A	. Spring - Inlet lever	1
24	63038	. Valve - Needle	1
25	65445	. Needle - Main fuel	1
26	104001	. "O" Ring	1
27	110483	. Screw - Adjustment	1
28	104814	. Screw - 4-40 x 1/4 (SEMS)	1
29	65430	. Lever - Throttle	1
30	65431	. Needle - Metering	1
31	62975	. Swivel - Needle	1
32	65428	. Shaft Assy - Carburetor	1
33	66504	. Body Assy - Carburetor	1
34	65432	. . Orifice - Air	1
35	66569	. . Orifice - Fuel	1
36	59796	. . "O" Ring	1
37	65724	. . Stud - Carburetor	1
38	62368	. . Bushing - Throttle shaft	2
39	67062	Seal - Air cleaner	1



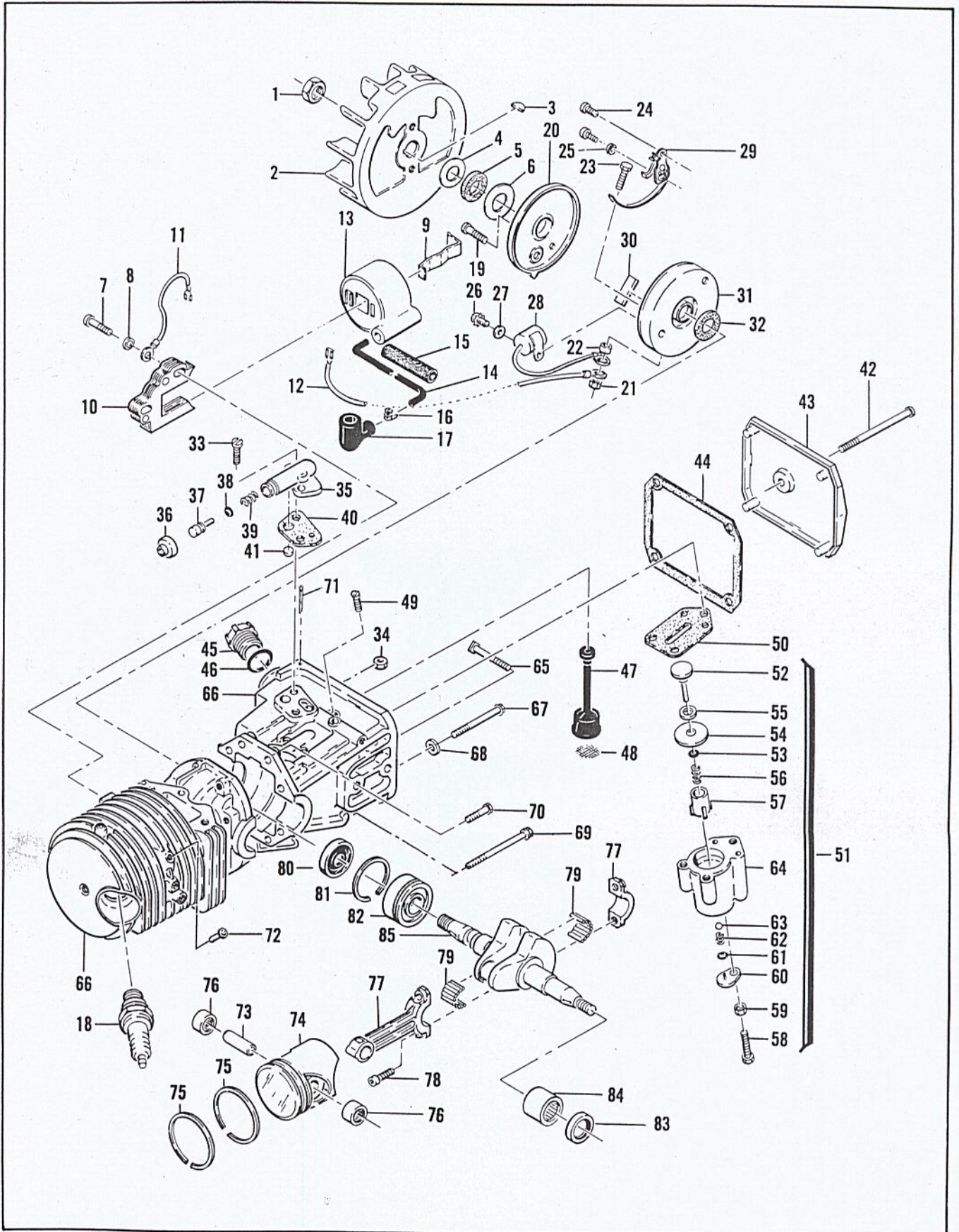


Figure 5. Powerhead Assembly



FIGURE 5. POWERHEAD ASSEMBLY

Item No.	Part Number	Description	Units Per Assy
1	101391	Nut - Hex 3/8-24	1
2	61737A	Flywheel Assy	1
3	103879	Key - Flywheel	1
4	67057	Washer - Thrust	1
5	67056	Seal - Cover	1
6	67054	Washer - Thrust	1
7	110127	Screw - Fil hd 10-24 x 7/8 (SEMS)	2
8	100003	Washer - #10	2
9	51253	Retainer - Coil	1
10	62741	Lamination Assy	1
11	62819	Wire Assy - Ground	1
12	62818A	Wire Assy - Primary	1
13	62927A	Coil & Terminal Assy	1
14	67300	. Wire & Sleeve Assy - Spark plug	1
15	67127	. . Sleeve	1
16	62932	. . Connector	1
17	62926	. . Boot	1
18	63097	Spark Plug (packaged)	1
19	110349	Screw - Rd hd 8-32 x 3/4	1
20	62362	Cover - Breaker box	1
21	100298	Nut - Hex 6-32	1
22	62365	Spacer - Breaker screw	1
23	110346	Screw - Hex hd 6-32 x 3/4	1
24	100934	Screw - Rd hd 8-32 x 3/8	2
25	105976	Washer - #8	1
26	105249	Screw - Rd hd 8-32 x 3/8 (SEMS)	1
27	100080	Washer - #8	1
28	61650	Condenser	1
29	62363	Breaker Assy	1
30	54184	Wiper - Cam	1
31	62361	Box - Breaker	1
32	67051	Seal - Breaker box	1
33	100414	Screw - 8-32 x 1/2	2
34	100955	Nut - Hex 8-32	1
35	62261A	Housing - Oil pump	1
36	62262	Cap - Oil pump	1
37	62266	Plunger - Oil pump	1
38	101056	"O" Ring	1
39	66687	Spring - Oil pump	1
40	62230	Gasket - Oil pump	1
41	62909	Valve - Oil pump	1

Item No.	Part Number	Description	Units Per Assy
42	110291	Screw - Pan hd 10-24 x 2-3/4	1
43	63072	Cover - Oil tank	1
44	62116	Gasket - Oil tank cover	1
45	57129A	Cap - Oil	1
46	101148	"O" Ring	1
47	62123B	Hose Assy - Oil	1
48	51506	. Screen - Oil hose	1
49	110333	Screw - Oval hd 8-32 x 1/2	3
50	62274	Gasket - Pulse pump	1
51	62320C	Pulse Pump Assy	1
52	60260A	. Piston Assy - Pulse oiler	1
53	104001	. "O" Ring	1
54	60263	. Ring - Piston oiler	1
55	60937	. Washer - Teflon	1
56	60259	. Spring - Piston oiler	1
57	62227	. Sleeve - Oiler adjustment	1
58	110386	. Screw - Hex hd 8-32 x 1	1
59	100251	. Nut - Hex 8-32	1
60	63858	. Cover Assy - Outlet valve	1
61	106104	. "O" Ring	1
62	62885A	. Spring - Outlet valve	1
63	102809	. Ball - 3/32 in. dia.	1
64	62321B	. Body Assy - Pulse pump	1
65	62065	Bolt - Bar mounting	2
66	67366	Crankcase Assy	1
67	62105	. Screw Assy - Sealing	4
68	62842	. . Washer - Sealing	4
69	110491	. Screw Assy - 1-5/8	2
70	110288	. Screw Assy - 8-32 x 3/4	2
71	100010	. Cotter Pin - 3/32 x 1/2	1
72	64755	. Valve - Comp. release	1
73	61649	Pin - Piston	1
74	62824	Piston Assy	1
75	62814	. Ring Set - Piston	1
76	103512	. Bearing - Needle	2
77	65401	Connecting Rod Assy	1
78	61627A	. Screw - Socket hd 8-36 x 1/2	2
79	63225	. Roller - Needle (Set of 20)	1
80	65746	Oil Seal	1
81	63464	Ring - Snap	1
82	63429B	Bearing - Ball	1
83	65747	Oil Seal	1
84	104357	Bearing - Needle	1
85	63336	Crankshaft	1



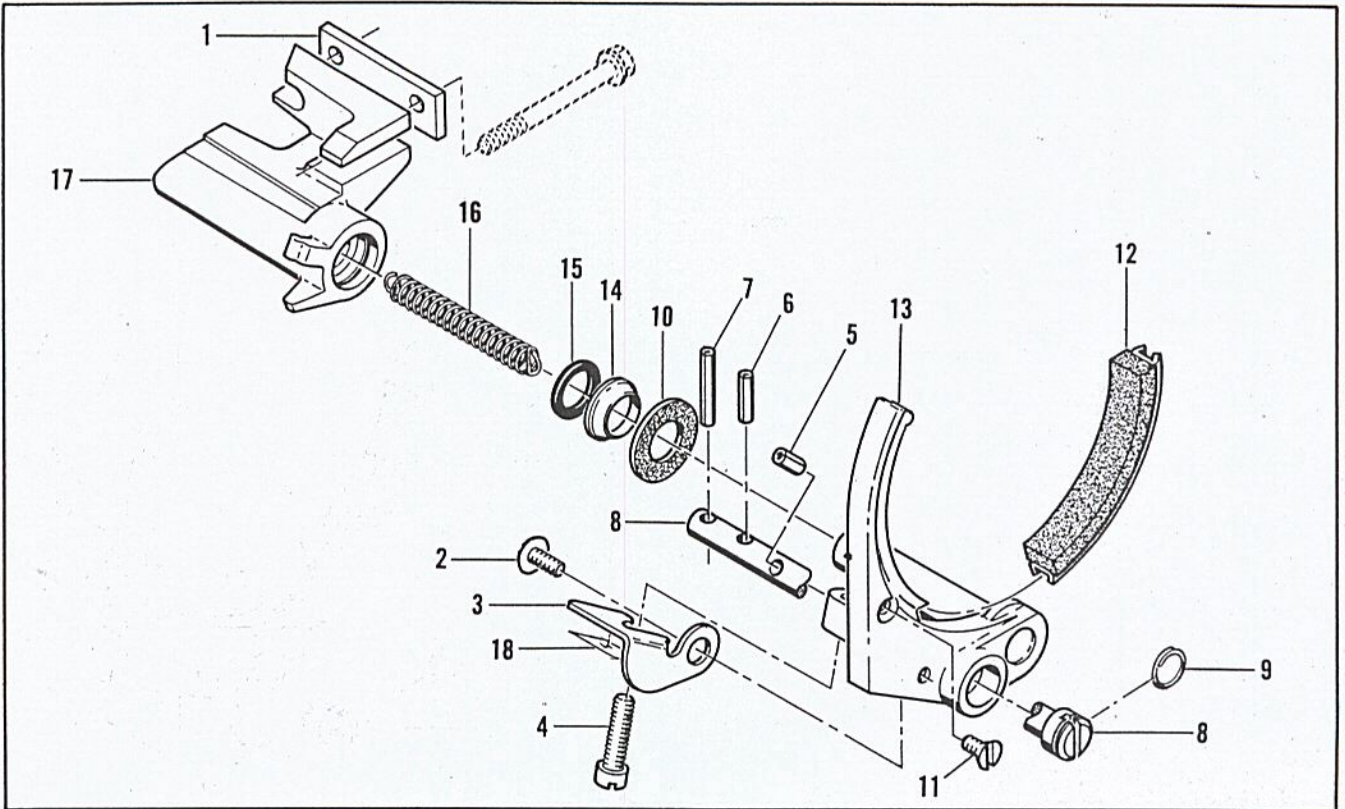


Figure 6. Power-Sharp System

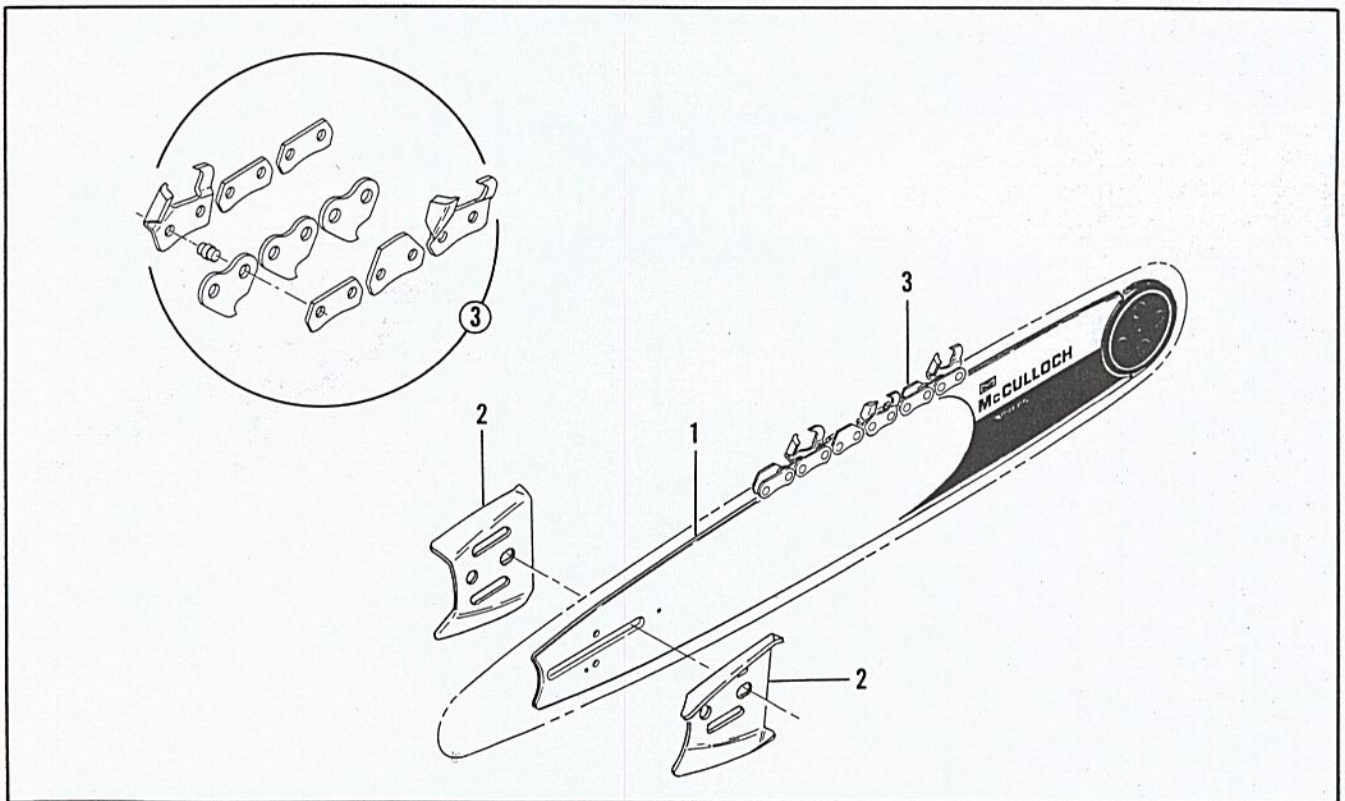


Figure 7. Bar and Chain Assembly



FIGURE 6. POWER-SHARP SYSTEM

Item No.	Part Number	Description	Units Per Assy
1	66307	Plate - Base	1
	67928	Sharpener Assy	1
2	105027	. Screw - Tr hd 8-32 x 7/16	1
3	66075	. Bracket - Arm	1
4	110497	. Screw - Fil hd 10-32 x 3/4	1
5	105661	. Pin - Roll 1/8 x 3/8	1
6	103127	. Pin - Roll 1/8 x 1/2	1
7	105651	. Pin - Roll 1/8 x 11/16	1
8	67878	. Shaft - Locking	1
9	67879	. Ring - Retaining	1

Item No.	Part Number	Description	Units Per Assy
10	67881	. Washer - Felt	1
11	110492	. Screw - Fl hd 8-32 x 5/16	1
12	67648	. Stone Assy	1
13	67882	. Arm - Sharpener	1
14	66068	. Scraper - Dirt	1
15	105607	. "O" Ring	1
16	66070	. Spring - Arm	1
17	67886	. Base	1
18	67523	. Label - Grinder adj	1

FIGURE 7. BAR AND CHAIN ASSEMBLIES

Item No.	Part Number	Description
1		Bar - Roller-Mac
2	64325	Bar Protector Plate (set of 2)

Item No.	Part Number	Description
3		Chain Assy - Duo-Sharp

## ACCESSORIES

Item No.	Part Number	Description
1	66285	Owner's Manual
2	67880	Wrench - Screwdriver combination
3	63341A	Kit - Spike, 4-tooth
4	62825	Piston Assy - 0.020 in. oversize
5	62813	. Ring Set - Piston 0.020 in. oversize
6	103512	. Bearing - Needle (2)
7	62826	Piston Assy - 0.030 in. oversize
8	62812	. Ring Set - Piston 0.030 in. oversize
9	103512	. Bearing - Needle (2)
10	66316	Kit - Wrap-around frame
11	65325	Baffle - Spark arrester (Alternate)

Item No.	Part Number	Description
12	63746	Kit - Combination wrench
13	65529	Kit - Reed spark arrester
14	63490	Tool - Fuel orifice
15	63357	Probe - Carburetor test
16	63432	Spark Plug - AC CS 42T
17	65778	Spark Plug - AC CS 41T
18	65712	Timing Guide
19	64330	Plate Set - Bar
20	66082	Owner's Manual Addendum
21	67839	Kit - Chain repair
22	66966	File Guide