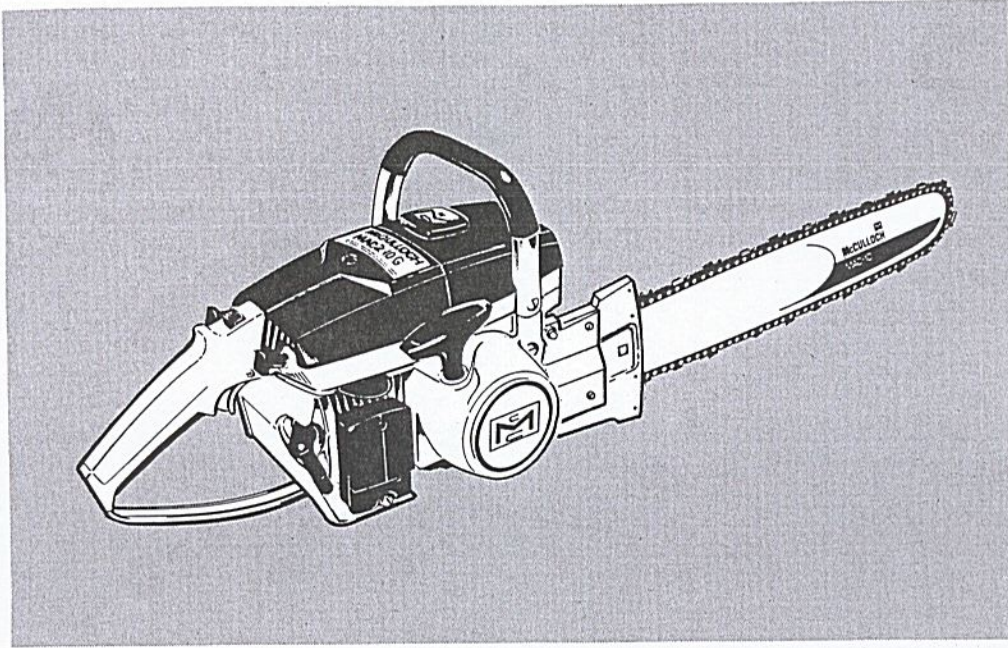


# MAC 2-10G Chain Saw

## ILLUSTRATED PARTS LIST



NOVEMBER 1966

The following pages contain item-numbered illustrations of the service parts for this saw. Facing each illustration are lists which give the description and the quantity of each service part.

Part numbers will be found on the appropriate parts list sheet covering the serial number block of the particular saw. Locate the figure and item in this book, of the part in which you are interested. Then turn to the appropriate parts list sheet and following the figure and item number will be found the correct part number of the service part.

When changes in this parts list occur, either in the illustrations, in part numbers or in quantities used, these differences will be explained or shown on a superseding parts list sheet.

	Page
Figure 1. Engine Exploded View - General	2
Figure 2. Clutch & Starter Assembly	4
Figure 3. Fuel Tank Assembly	4
Figure 4. Carburetor Assembly	6
Figure 5. Transmission Assembly	8
Figure 6. Powerhead Assembly	10



# McCULLOCH

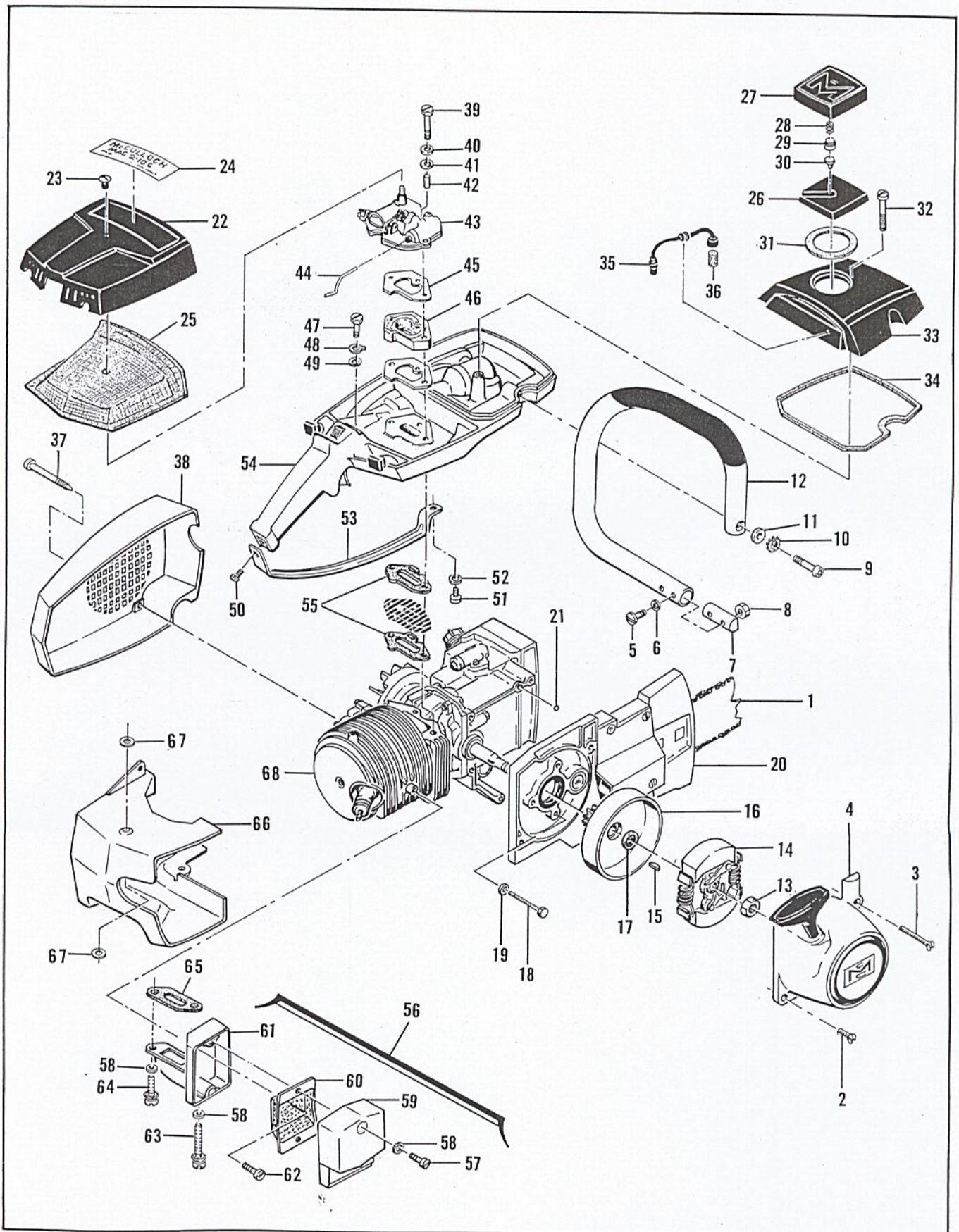


Figure 1. Engine Exploded View - General

FIGURE 1. ENGINE EXPLODED VIEW-GENERAL

Item No.	Description	Units Per Assy
1	Bar and Chain Assy (See Figure 5)	1
2	Screw - Ov hd 8-32 x 5/8	1
3	Screw - Ov hd 10-24 x 1-1/2	1
4	Starter Assy (See Figure 2)	1
5	Screw - Hex hd 10-24 x 7/8	2
6	Washer - #10	2
7	Plug - Nut retainer	1
8	Nut - Hex 10-24	2
9	Screw - Skt hd 1/4-20 x 1-1/8	1
10	Lockwasher - 1/4	1
11	Washer - Plain 1/4	1
12	Frame and Grip Assy	1
13	Nut - 3/8-24	1
14	Clutch Assy (See Figure 2)	1
15	Key - Woodruff	1
16	Drum, Gear and Seal Assy	1
17	. Seal	1
18	Screw - Hex hd 10-24 x 1-3/4	2
19	Washer - #10	2
20	Transmission Assy (See Figure 5)	1
21	"O" Ring	1
22	Cover Assy - Air cleaner	1
23	. Nut - Air cleaner cover	1
24	Nameplate	1
25	Screen - Air cleaner	1
26	Fuel Cap Assy	1
27	. Cover	1
28	. Spring	1
29	. Guide	1
30	. Valve	1
31	. Gasket	1
32	Screw - Ov hd 12-24 x 1-3/4	1
33	Cover - Fuel tank	1
34	Gasket - Cover	1

Item No.	Description	Units Per Assy
35	Hose Assy - Fuel	1
36	. Filter - Fuel	1
37	Screw - Special	3
38	Fan Housing	1
39	Screw - Hex hd 10-24 x 2	2
40	Washer - #10	2
41	Washer - Insulator	2
42	Sleeve - Insulator	2
43	Carburetor (See Figure 4)	1
44	Rod - Primer	1
45	Gasket - Carburetor	2
46	Insulator - Carburetor	1
47	Screw - Hex hd 10-24 x 1-1/8	1
48	Lockplate	1
49	Washer - Insulating	1
50	Screw - Ov hd 10-24 x 3/8	1
51	Screw - Hex hd 10-24 x 3/4	1
52	Washer - #10	1
53	Brace - Handle	1
54	Fuel Tank Assy (See Figure 3)	1
55	Gasket - Fuel tank	2
56	Kit - Spark arrester	1
57	. Screw - Fil hd 10-24 x 1-1/8	2
58	. Washer - Special #10	4
59	. Cover Assy	1
60	. Baffle	1
61	. Body & Duct Assy	1
62	Screw - Hex hd 10-24 x 1/2	1
63	Screw - Skt hd 10-24 x 1-3/8	1
64	Screw - Skt hd 10-24 x 5/8	1
65	Gasket - Spark arrester	1
66	Shroud - Cylinder	1
67	Insulator - Shroud	2
68	Powerhead Assy (See Figure 6)	1

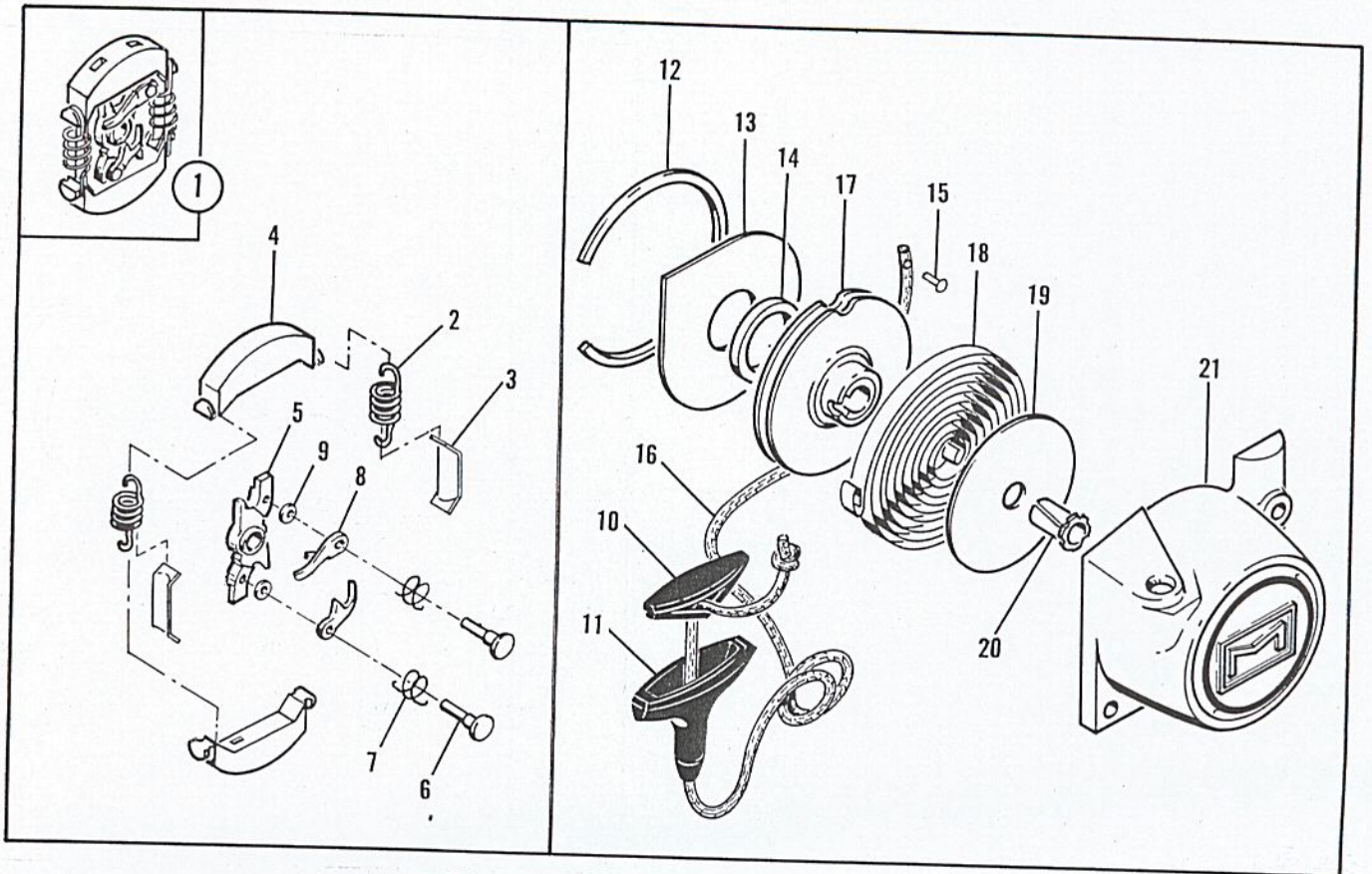


Figure 2. Clutch and Starter Assemblies

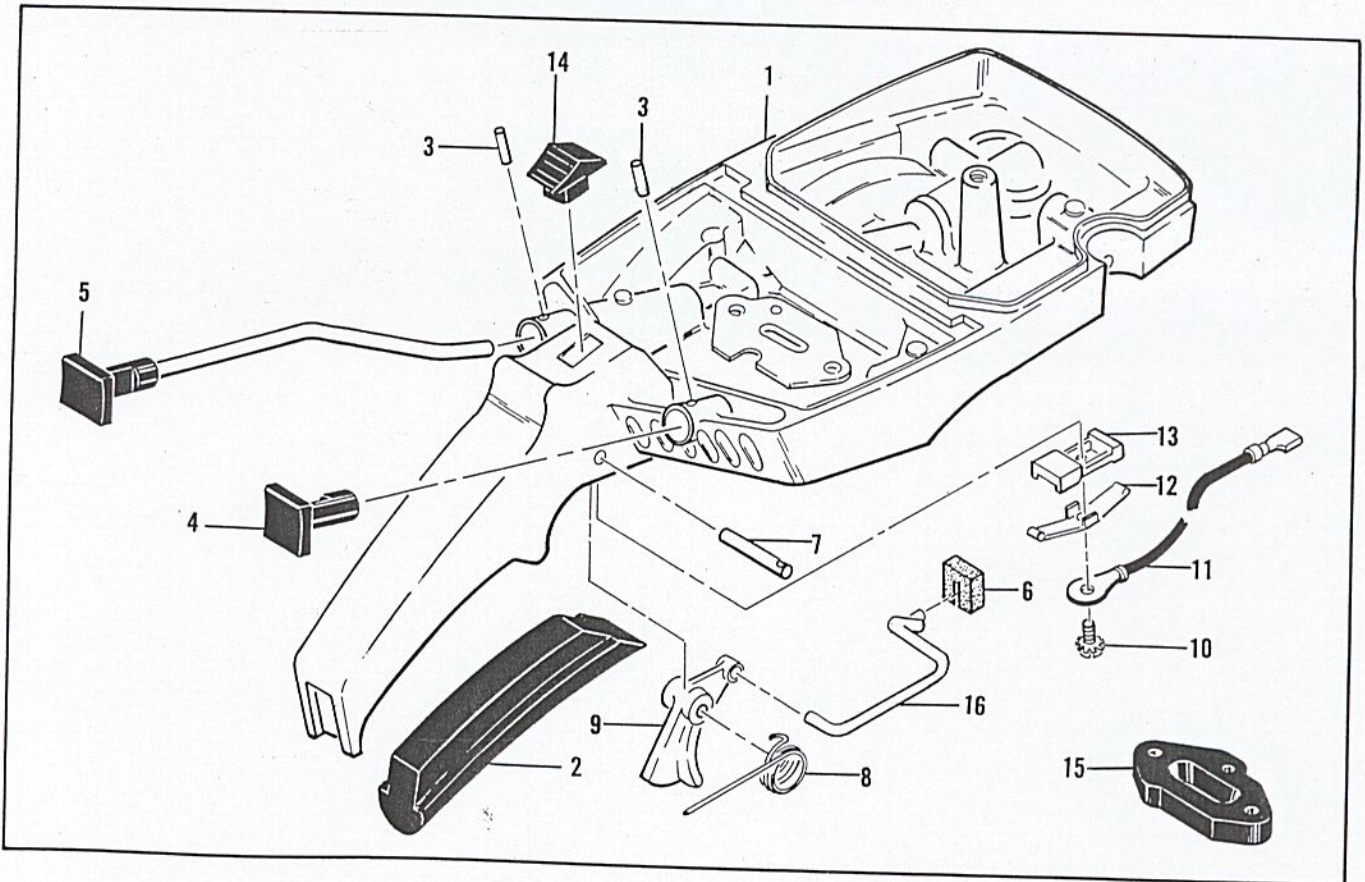


Figure 3. Fuel Tank Assembly

FIGURE 2. CLUTCH AND STARTER ASSEMBLIES

Item No.	Description	Units Per Assy
1	Clutch Assy	1
2	. Spring - Clutch	2
3	. Retainer - Spring	2
4	. Shoe	2
5	. Rotor Assy - Clutch	1
6	. . Rivet	2
7	. . Spring - Pawl	2
8	. . Pawl	2
9	. . Washer - Plain	2
	Starter Assy	1
10	. Insert - Starter handle	1

Item No.	Description	Units Per Assy
11	. Handle - Starter	1
12	. Retainer - Shield	1
13	. Shield - Dust	1
14	. Washer - Thrust	1
15	. Rivet - Starter rope	1
16	. Rope - Starter	1
17	. Drum - Starter	1
18	. Spring - Rewind	1
19	. Shield - Spring	1
20	. Bushing - Nyliner	1
21	. Housing - Starter	1

FIGURE 3. FUEL TANK ASSEMBLY

Item No.	Description	Units Per Assy
1	Kit - Fuel Tank Assy	1
2	. Grip - Handle	1
3	. Pin - Roll 3/32 x 9/16	2
4	. Button - Primer	1
5	. Button - Oiler rod assy	1
6	. Seal - Throttle rod	1
7	. Pin - Roll 3/16 x 1-1/8	1
8	. Spring - Trigger	1

Item No.	Description	Units Per Assy
9	. Trigger - Throttle	1
10	. Screw - Fil 8-32 x 1/2 (SEMS)	1
11	. Wire - Stop switch	1
12	. Contact - Switch	1
13	. Base - Switch	1
14	. Button - Switch	1
15	. Insulator - Fuel tank	1
16	Rod - Throttle	1

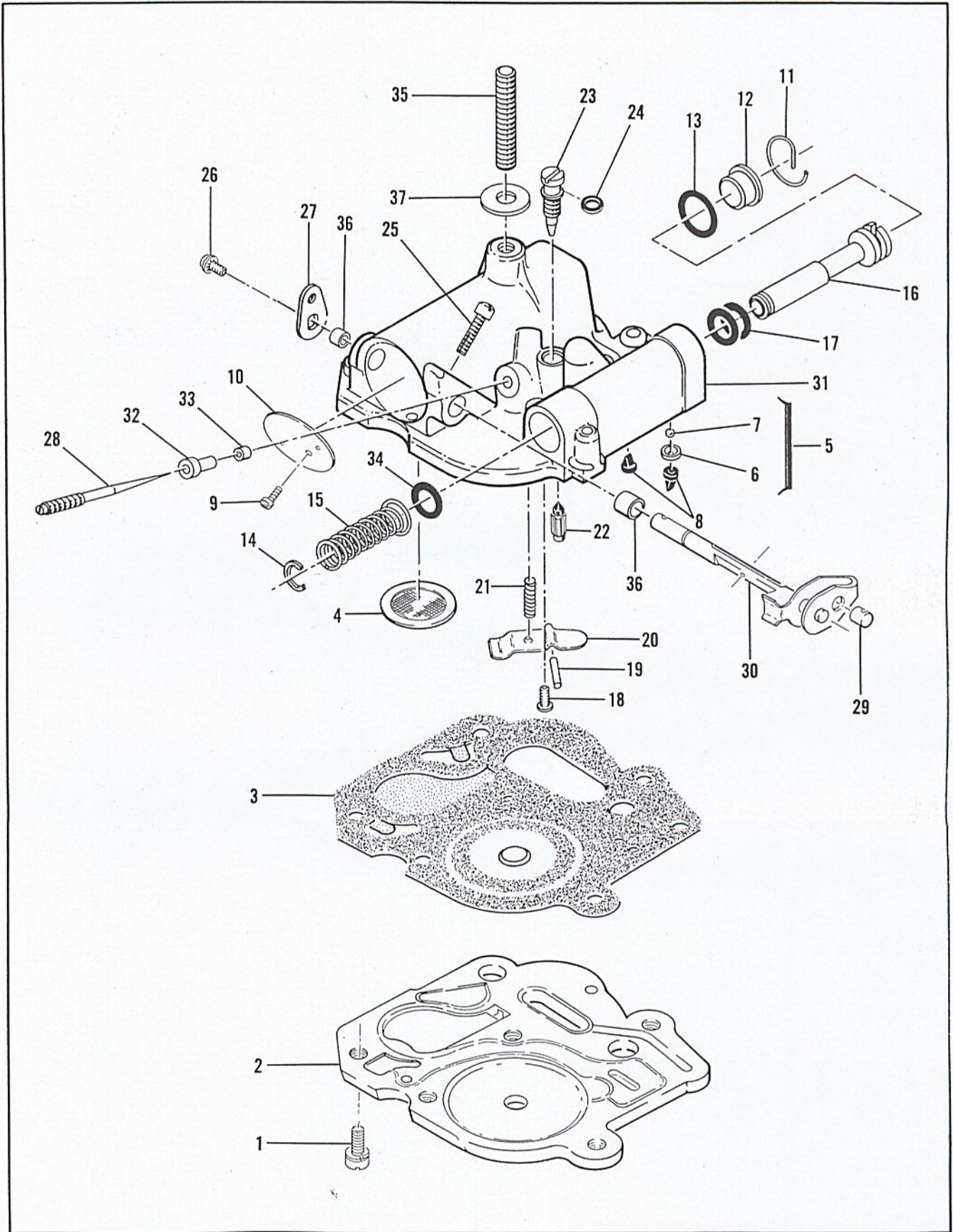


Figure 4. Carburetor Assembly

FIGURE 4. CARBURETOR ASSEMBLY

Item No.	Description	Units Per Assy
	Carburetor Assy	1
1	. Screw - Pan hd 8-32 x 7/16	5
2	. Plate - Carburetor base	1
3	. Diaphragm Assy - Pump	1
4	. Seal - Capillary	1
5	. Set - Ball and seat	1
6	. . Seat	1
7	. . Ball	1
8	. Valve - Primer	2
9	. Screw - 4-40 x 1/4 (SEMS)	1
10	. Plate - Throttle	1
11	. Retainer - Primer plug	1
12	. Plug - Primer	1
13	. "O" Ring	1
14	. Ring - Retaining	1
15	. Spring - Plunger	1
16	. Plunger - Primer	1
17	. "O" Ring	2
18	. Screw - 6-32 x 1/4	1

Item No.	Description	Units Per Assy
19	. Pin - Inlet lever	1
20	. Lever - Inlet	1
21	. Spring - Inlet lever	1
22	. Valve - Needle	1
23	. Needle - Main fuel	1
24	. "O" Ring	1
25	. Screw - Adjustment	1
26	. Screw - 4-40 x 1/4 (SEMS)	1
27	. Lever - Throttle	1
28	. Needle - Metering	1
29	. Swivel - Needle	1
30	. Shaft Assy - Carburetor	1
31	. Body Assy - Carburetor	1
32	. . Orifice - Air	1
33	. . Orifice - Fuel	1
34	. . "O" Ring	1
35	. . Stud - Carburetor	1
36	. . Bushing - Throttle shaft	2
37	Seal - Air cleaner	1

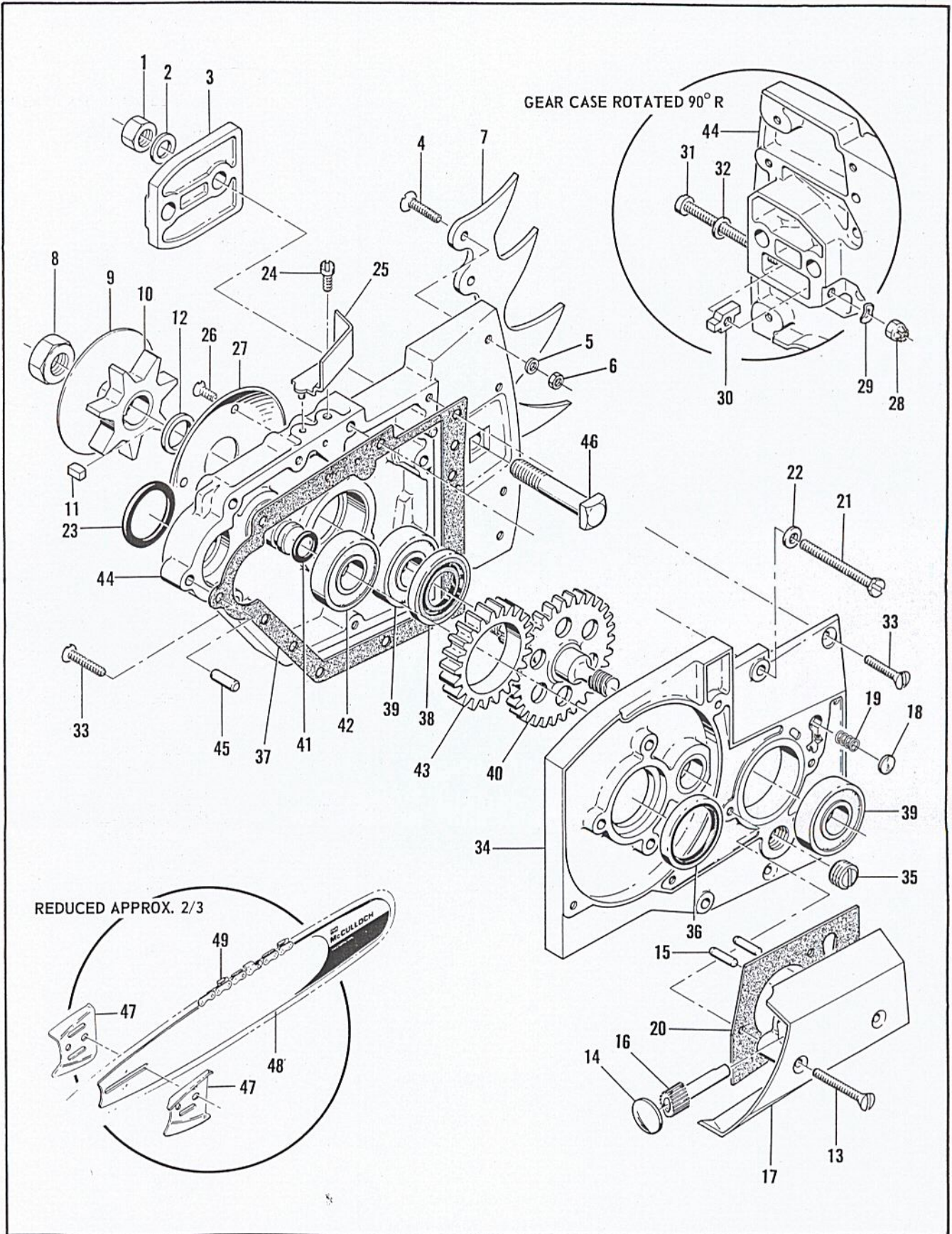


Figure 5. Transmission Assembly



FIGURE 5. TRANSMISSION ASSEMBLY

Item No.	Description	Units Per Assy
1	Nut - Hex 3/8-24	2
2	Washer - 3/8	2
3	Plate - Bar clamp	1
	Kit - Spike	1
4	. Screw - Fl hd 10-24 x 3/4	4
5	. Washer - #10	4
6	. Nut - 10-24	4
7	. Spike	1
8	Nut - Hex 7/16-20	1
9	Plate - Sprocket	1
10	Sprocket	1
11	Key - Sprocket	1
12	Spacer - Sprocket	1
13	Screw - Ov hd 8-32 x 1-1/4	2
	Pump Assy - Oil	1
14	. Plug - Welch	1
15	. Pin - Plunger	2
16	. Plunger Assy	1
17	. Body - Oil pump	1
18	Valve - Oiler	1
19	Spring - Oiler valve	1
20	Gasket - Oil pump	1
21	Screw - Hex hd 10-24 x 1-3/4	2
22	Washer - #10	2
	Transmission Assy	1
23	. "O" Ring	1

Item No.	Description	Units Per Assy
24	. Screw - Fil 8-32 x 3/8	1
25	. Filler	1
26	. Screw - Fl hd 6-32 x 3/8	3
27	. Plate - Sprocket	1
28	. Nut - Lock #10	1
29	. Washer - Wave	1
30	. Nut - Bar adjustment	1
31	. Screw - Bar adjustment	1
32	. Washer - #10	1
33	. Screw - Ov hd 8-32 x 7/8	6
34	. Cover Assy - Gearcase	1
35	. . Plug - Filler	1
36	. . Seal - Pinion gear	1
37	. Gasket - Gearcase cover	1
38	. Seal - Gearcase	1
39	. Bearing - Sprocket shaft	2
40	. Gear - Sprocket	1
41	. "O" Ring	1
42	. Bearing - Idler	1
43	. Gear - Idler	1
44	. Gearcase Assy	1
45	. . Pin - Dowel	2
46	. . Bolt - Bar	2
47	Plate - Bar protector	2
48	Bar	
49	Chain	

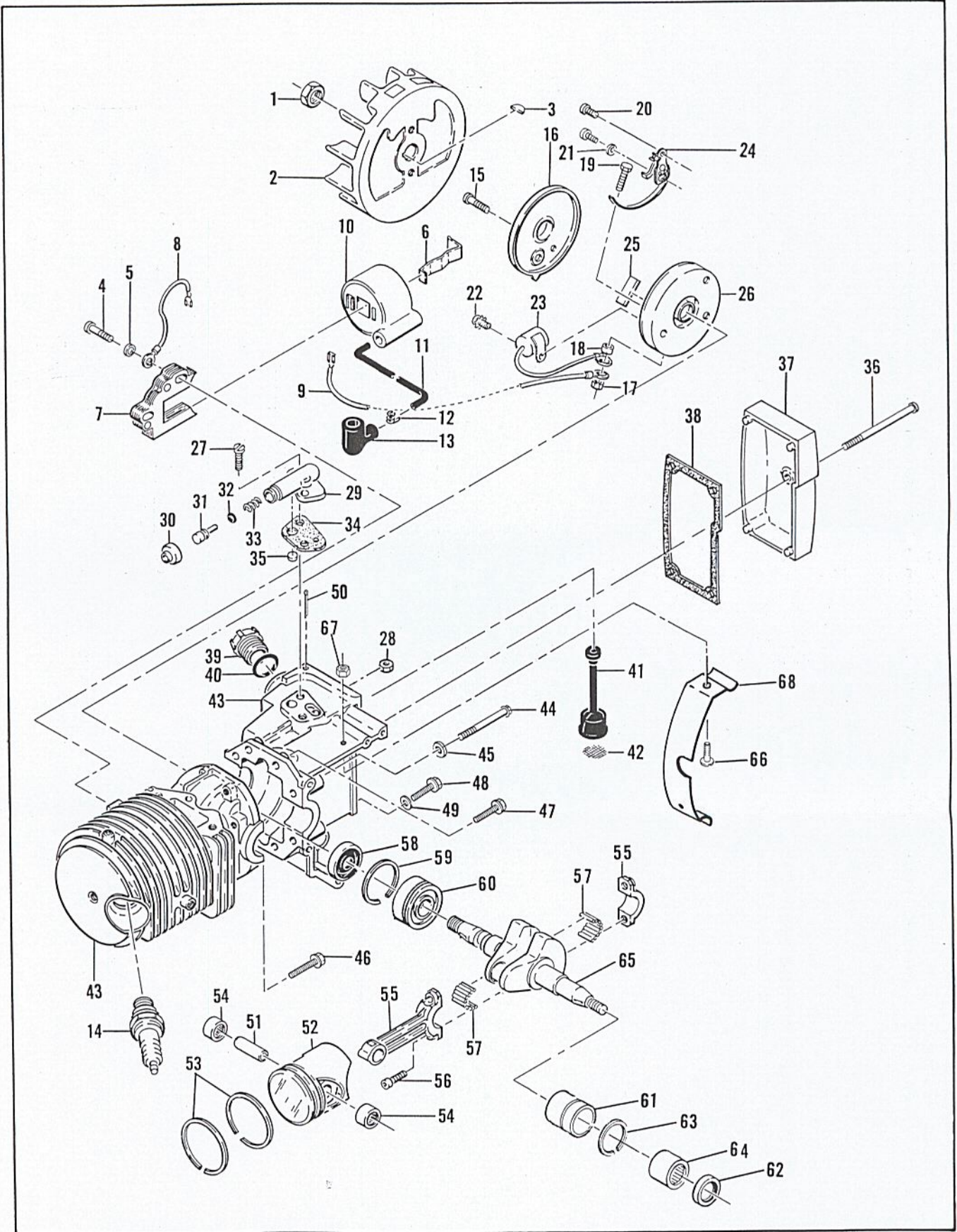


Figure 6. Powerhead Assembly

FIGURE 6. POWERHEAD ASSEMBLY

Item No.	Description	Units Per Assy
1	Nut - Hex 3/8-24	1
2	Flywheel Assy	1
3	Key - Flywheel	1
4	Screw - Fil hd 10-24 x 7/8 (SEMS)	2
5	Washer - #10	2
6	Retainer - Coil	1
7	Lamination Assy	1
8	Wire Assy - Ground	1
9	Wire Assy - Primary	1
10	Coil and Terminal Assy	1
11	. Wire Assy - Spark plug	1
12	. . Connector	1
13	. . Boot	1
14	Spark Plug (Packaged)	1
15	Screw - Rd hd 8-32 x 3/4	1
16	Cover - Breaker box	1
17	Nut - Hex 6-32	1
18	Spacer - Breaker screw	1
19	Screw - Hex hd 6-32 x 3/4	1
20	Screw - Rd hd 8-32 x 3/8	2
21	Washer - #8	1
22	Screw - Rd hd 8-32 x 3/8 (SEMS)	1
23	Condenser	1
24	Breaker Assy	1
25	Wiper - Cam	1
26	Box - Breaker	1
27	Screw - 8-32 x 1/2	2
28	Nut - Hex 8-32	1
29	Pump Assy - Oil	1
30	. Cap - Oil pump	1
31	. Plunger - Oil pump	1
32	. "O" Ring	1
33	. Spring - Oil pump	1
34	Gasket - Oil pump	1

Item No.	Description	Units Per Assy
35	Valve - Oil pump	1
36	Screw - Pan hd 10-24 x 3-1/2	1
37	Cover - Oil tank	1
38	Gasket - Oil tank cover	1
39	Cap - Oil	1
40	"O" Ring	1
41	Hose Assy - Oil	1
42	. Screen - Oil hose	1
43	Cylinder - Crankcase Assy	1
44	. Screw Assy - Sealing	4
45	. . Washer - Sealing	4
46	. Screw Assy - 8-32 x 7/8	1
47	. Screw Assy - 8-32 x 3/4	2
48	. Screw Assy - Sealing 8-32 x 3/4	1
49	. . Washer - Sealing	1
50	. Cotter Pin - 3/32 x 1/2	1
51	Pin - Piston	1
52	Piston Assy	1
53	. Ring Set - Piston	1
54	. Bearing - Needle	2
55	Connecting Rod Assy	1
56	. Screw - Socket hd 8-36 x 1/2	2
57	. Roller - Needle (set of 20)	1
58	Oil Seal	1
59	Ring - Snap	1
60	Bearing - Ball	1
61	Insert and Bearing Assy	1
62	. Oil Seal	1
63	. Ring - Snap	1
64	. Bearing - Needle	1
65	Crankshaft	1
66	Screw - Rd hd 10-24 x 5/16	2
67	Nut - Hex 10-24	2
68	Guard - Crankcase	1

## ACCESSORIES

Item No.	Description
1	Owner's Manual
2	Wrench - Screwdriver combination
3	Piston Assy - 0.020 in. oversize
4	. Ring Set - Piston 0.020 in. oversize
5	. Bearing - Needle (2)
6	Piston Assy - 0.030 in. oversize
7	. Ring Set - Piston 0.030 in. oversize

Item No.	Description
8	. Bearing - Needle (2)
9	Kit - Wrap-around frame
10	Screen - Spark arrester
11	Spark Plug - AC CS 42T
12	Spark Plug - AC CS 41T
13	Lock - Sprocket
14	Probe - Carburetor test

# MAC 2-10G

Serial Numbers Prefixed 1-

Figure and Item numbers are referenced to the MAC 2-10G Illustrated Parts List, P/N 65639 unless otherwise indicated on this parts list sheet. Numbers in black circles refer to notes at the bottom of the page. Numbers in parenthesis following the part number indicate a quantity change from the illustrated parts list.

FIG & ITEM	PART NUMBER	FIG & ITEM	PART NUMBER	FIG & ITEM	PART NUMBER	FIG & ITEM	PART NUMBER
1-1	Fig. reference	1-61	65805	4-8	63041	5-26	110417
1-2	110403	1-62	110341	4-9	104814	5-27	63416
1-3	104139	1-63	104534	4-10	62290A	5-28	102067
1-4	Fig. reference	1-64	104895	4-11	65677	5-29	110387
1-5	102761	1-65	63748	4-12	65617	5-30	63824A
1-6	100352	1-66	65503	4-13	105617	5-31	102144
1-7	61678	1-67	62085A	4-14	101289	5-32	101174
1-8	101326	1-68	Fig. reference	4-15	65859	5-33	110405
1-9	105187			4-16	65602	5-34	64779
1-10	105043			4-17	59796	5-35	101775
1-11	100004	2-1	65471	4-18	104728	5-36	63477
1-12	65404	2-2	63999	4-19	110337	5-37	63433
1-13	103746	2-3	64583	4-20	62310	5-38	63478
1-14	Fig. reference	2-4	62198B	4-21	62923A	5-39	110348
1-15	103879	2-5	65475	4-22	63038	5-40	64775
1-16	66032	2-6	65472	4-23	65445	5-41	110452
1-17	65748	2-7	62328	4-24	104001	5-42	110348
1-18	102765	2-8	64857	4-25	110483	5-43	64774
1-19	100003	2-9	65473	4-26	104814	5-44	64770
1-20	Fig. reference	2-	63494	4-27	65430	5-45	101770
1-21	103195	2-10	62191A	4-28	65431	5-46	64584
1-22	65846	2-11	62190A	4-29	62975	5-47	64935
1-23	65813	2-12	62371	4-30	65428	5-48	Bar
1-24	65458	2-13	63985	4-31	65425	5-49	Chain
1-25	65815	2-14	63986	4-32	65432		
1-26	61721D	2-15	110470	4-33	63813		
1-27	64762	2-16	59952A	4-34	59796	6-1	101391
1-28	63040	2-17	65526	4-35	65724	6-2	61737A
1-29	62316	2-18	36059	4-36	62368	6-3	103879
1-30	63041	2-19	63987	4-37	62435	6-4	101965
1-31	61722C	2-20	61635A			6-5	100003
1-32	110334	2-21	63412			6-6	51253
1-33	63656			5-1	103729	6-7	62741
1-34	62102			5-2	100006	6-8	62819
1-35	64848	3-1	63949	5-3	63417	6-9	62818A
1-36	63932	3-2	64872	5-	63994	6-10	62927A
1-37	62978	3-3	105673	5-4	110245	6-11	62929A
1-38	63073	3-4	63045	5-5	101174	6-12	62932
1-39	103124	3-5	64871	5-6	101191	6-13	62926
1-40	64856	3-6	61696	5-7	63833	6-14	63097
1-41	55636	3-7	110378	5-8	60972	6-15	110349
1-42	65726	3-8	65734	5-9	63997A	6-16	62362
1-43	Fig. reference	3-9	65864	5-10	36644A	6-17	100298
1-44	65604	3-10	103672	5-11	63808	6-18	62365
1-45	62080B	3-11	62973A	5-12	64754	6-19	110346
1-46	65821	3-12	62451	5-13	110406	6-20	100934
1-47	102290	3-13	62950A	5-	63479	6-21	105976
1-48	63475	3-14	62951	5-14	105559	6-22	105249
1-49	55636	3-15	63396	5-15	110392	6-23	61650
1-50	110353	3-16	65816	5-16	63428	6-24	62363
1-51	102289			5-17	63425	6-25	54184
1-52	100352			5-18	62909	6-26	62361
1-53	63070	4-	65424	5-19	63692	6-27	100414
1-54	Fig. reference	4-1	110397	5-20	63474	6-28	100955
1-55	62995A	4-2	65597	5-21	102765	6-29	62319A
1-56	65905	4-3	65598	5-22	100003	6-30	62262
1-57	101284	4-4	55690B	5-	64769	6-31	62266
1-58	110264	4-5	65868	5-23	104360	6-32	101056
1-59	62380	4-6	65824	5-24	110055	6-33	59934
1-60	62379B	4-7	61151	5-25	63491		

Continued

FIG & ITEM	PART NUMBER	FIG & ITEM	PART NUMBER	FIG & ITEM	PART NUMBER	FIG & ITEM	PART NUMBER
6-34	62230	6-52	62824				
6-35	62909	6-53	62814				
6-36	110407	6-54	103512				
6-37	63974	6-55	65401				
6-38	63442	6-56	61627A				
6-39	57129A	6-57	63225	1	66285		
6-40	101148	6-58	61618	2	51445A		
6-41	62123B	6-59	63464	3	62825		
6-42	51506	6-60	63429B	4	62813		
6-43	65385	6-61	63492	5	103512		
6-44	62105	6-62	110260	6	62826		
6-45	62842	6-63	63699	7	62812		
6-46	110404	6-64	104357	8	103512		
6-47	110288	6-65	63401A	9	64586		
6-48	63607	6-66	105221	10	65325		
6-49	63606	6-67	101191	11	63432		
6-50	100010	6-68	65363	12	65778		
6-51	61649			13	62142A		
				14	63357		

ACCESSORY ITEMS



**MCCULLOCH CORPORATION**  
6101 WEST CENTURY BLVD., LOS ANGELES, CALIFORNIA 90045

65670

**MCCULLOCH OF CANADA, LTD.**  
77 BELFIELD ROAD, REXDALE, ONTARIO, CANADA

**MCCULLOCH INTERNATIONAL, INC.**  
POSTBUS 10, MALINES, BELGIUM  
G.P.O. BOX 879, HONG KONG, B.C.C.

**MCCULLOCH OF AUSTRALIA PTY., LTD.**  
P.O. BOX 165, SOUTH GRANVILLE, N.S.W., AUSTRALIA

**MCCULLOCH INTERNATIONAL (U.S.), INC.**  
P.O. BOX 45466 LOS ANGELES, CALIFORNIA, U.S.A.

# MAC 2-10G

Serial Numbers Prefixed 2-

Figure and Item numbers are referenced to the Illustrated Parts List, P/N 65639 unless otherwise indicated on this parts list sheet. Numbers in black circles refer to notes at the bottom of the page. Numbers in parenthesis following the part number indicate a quantity change from the illustrated parts list.

FIG. & ITEM	PART NUMBER	NOMENCLATURE	FIG. & ITEM	PART NUMBER	NOMENCLATURE	FIG. & ITEM	PART NUMBER	NOMENCLATURE																																																																								
1-1	Fig. reference		1-38	63073	Housing																																																																											
1-2	110403	Screw	1-39	103124	Screw																																																																											
1-3	①	Screw	1-40	64856	Washer																																																																											
1-4	Fig. reference		1-41	55636	Washer																																																																											
1-5	102761	Screw	1-42	65726	Sleeve																																																																											
1-6	100352	Washer	1-43	Fig. reference																																																																												
1-7	61678	Plug	1-44	65604	Rod																																																																											
1-8	101326	Nut	1-45	65672	Gasket																																																																											
1-A	110448	Screw	1-46	65821	Insulator																																																																											
1-B	103174	Lockwasher	1-47	102290	Screw																																																																											
1-C	100003	Washer	1-48	63475	Lockplate	<p>Changes in Figure 1.</p> <table border="0"> <tr> <td>2-12</td> <td>62371</td> <td>Retainer</td> </tr> <tr> <td>2-13</td> <td>63985</td> <td>Shield</td> </tr> <tr> <td>2-14</td> <td>63986</td> <td>Washer</td> </tr> <tr> <td>2-15</td> <td>110470</td> <td>Rivet</td> </tr> <tr> <td>2-16</td> <td>59952A</td> <td>Rope</td> </tr> <tr> <td>2-17</td> <td>65526</td> <td>Drum</td> </tr> <tr> <td>2-18</td> <td>36059</td> <td>Spring</td> </tr> <tr> <td>2-19</td> <td>63987</td> <td>Shield</td> </tr> <tr> <td>2-20</td> <td>61635A</td> <td>Bushing</td> </tr> <tr> <td>2-21</td> <td>65879</td> <td>Housing</td> </tr> <tr> <td>3-1</td> <td>66648</td> <td>⑤ Tank</td> </tr> <tr> <td>3-</td> <td>105788</td> <td>Rivet</td> </tr> <tr> <td>3-2</td> <td>64872</td> <td>Grip</td> </tr> <tr> <td>3-3</td> <td>105673</td> <td>Pin</td> </tr> <tr> <td>3-4</td> <td>66194</td> <td>Button</td> </tr> <tr> <td>3-5</td> <td>64871</td> <td>Button &amp; Rod</td> </tr> <tr> <td>3-6</td> <td>61696</td> <td>Seal</td> </tr> <tr> <td>3-7</td> <td>110378</td> <td>Pin</td> </tr> <tr> <td>3-8</td> <td>65734</td> <td>Spring</td> </tr> <tr> <td>3-9</td> <td>65864</td> <td>Trigger</td> </tr> <tr> <td>3-10</td> <td>103672</td> <td>Screw</td> </tr> <tr> <td>3-11</td> <td>62973A</td> <td>Wire</td> </tr> <tr> <td>3-12</td> <td>62451</td> <td>Contact</td> </tr> <tr> <td>3-13</td> <td>62950A</td> <td>Base</td> </tr> </table> <p style="text-align: right;"><i>Continued</i></p>			2-12	62371	Retainer	2-13	63985	Shield	2-14	63986	Washer	2-15	110470	Rivet	2-16	59952A	Rope	2-17	65526	Drum	2-18	36059	Spring	2-19	63987	Shield	2-20	61635A	Bushing	2-21	65879	Housing	3-1	66648	⑤ Tank	3-	105788	Rivet	3-2	64872	Grip	3-3	105673	Pin	3-4	66194	Button	3-5	64871	Button & Rod	3-6	61696	Seal	3-7	110378	Pin	3-8	65734	Spring	3-9	65864	Trigger	3-10	103672	Screw	3-11	62973A	Wire	3-12	62451	Contact	3-13	62950A	Base
2-12	62371	Retainer																																																																														
2-13	63985	Shield																																																																														
2-14	63986	Washer																																																																														
2-15	110470	Rivet																																																																														
2-16	59952A	Rope																																																																														
2-17	65526	Drum																																																																														
2-18	36059	Spring																																																																														
2-19	63987	Shield																																																																														
2-20	61635A	Bushing																																																																														
2-21	65879	Housing																																																																														
3-1	66648	⑤ Tank																																																																														
3-	105788	Rivet																																																																														
3-2	64872	Grip																																																																														
3-3	105673	Pin																																																																														
3-4	66194	Button																																																																														
3-5	64871	Button & Rod																																																																														
3-6	61696	Seal																																																																														
3-7	110378	Pin																																																																														
3-8	65734	Spring																																																																														
3-9	65864	Trigger																																																																														
3-10	103672	Screw																																																																														
3-11	62973A	Wire																																																																														
3-12	62451	Contact																																																																														
3-13	62950A	Base																																																																														
1-D	64563	Bracket	1-49	55636	Washer																																																																											
1-E	102130	② Screw	1-50	110353	Screw																																																																											
1-F	100153	Washer	1-51	102289	Screw																																																																											
1-G	63484	Clamp	1-52	100352	Washer																																																																											
1-H	66341	Frame & Grip	1-53	63070	Brace																																																																											
1-J	62271	Plug	1-54	Fig. reference																																																																												
1-9	Screw		1-55	65674	Gasket																																																																											
1-10	Lockwasher		1-	63396	④ Insulator																																																																											
1-11	③ Washer		1-56	65905	Spark Arr.																																																																											
1-12	Frame		1-57	101284	Screw																																																																											
1-13	103746	Nut	1-58	110264	Washer																																																																											
1-14	Fig. reference		1-59	62380	Cover																																																																											
1-15	103879	Key	1-60	62379B	Baffle																																																																											
1-16	66032	Drum Assy	1-61	65805	Body																																																																											
1-17	65748	Seal	1-62	110341	Screw																																																																											
1-18	102765	Screw	1-63	104534	Screw																																																																											
1-19	100003	Washer	1-64	104895	Screw																																																																											
1-20	Fig. reference		1-65	63748	Gasket																																																																											
1-21	106104	"O" Ring	1-66	65503	Shroud																																																																											
1-22	65866	Cover	1-67	62085A	Insulator																																																																											
1-23	65813	Nut	1-68	Fig. reference																																																																												
1-24	65458	Nameplate	2-1	65471	Clutch Assy																																																																											
1-25	65815	Screen	2-2	63999	Spring																																																																											
1-26	61721D	Cap Assy	2-3	64583	Retainer																																																																											
1-27	64762	Cover	2-4	62198B	Shoe																																																																											
1-28	63040	Spring	2-5	65475	Rotor																																																																											
1-29	62316	Guide	2-6	65472	Rivet																																																																											
1-30	63041	Valve	2-7	62328	Spring																																																																											
1-31	65671	Gasket	2-8	64857	Pawl																																																																											
1-32	110334	Screw	2-9	65473	Washer																																																																											
1-33	63656	Cover	2-	65880	Starter Assy																																																																											
1-34	62102	Gasket	2-10	62191A	Insert																																																																											
1-35	64848	Hose	2-11	62190A	Handle																																																																											
1-36	63932	Filter																																																																														
1-37	62978	Screw																																																																														

## NOTES

① Screw replaced by frame mounting Screw, P/N 110448, Item A, illustrated in changes to Figure 1 on this page.

② See changes to Figure 1 on this page.  
 A Screw - Skt hd 10-24 x 3-1/4  
 B Lockwasher - #10  
 C Washer - #10  
 D Bracket - Frame  
 E Screw - Hex hd 1/4-20 x 1-1/2  
 F Washer - 1/4  
 G Clamp - Frame

H Frame and Grip Assy  
 J Plug - Frame

③ Screw, Washers and Frame replaced by parts listed in Note 2.

④ Fuel tank insulator shown in Figure 3, Item 15.

⑤ Fuel tank assembly includes two Rivets, P/N 105788, in bottom of tank. Items 2 to 15 inclusive, are not included in this tank assembly.

FIG. & ITEM	PART NUMBER	NOMENCLATURE	FIG. & ITEM	PART NUMBER	NOMENCLATURE	FIG. & ITEM	PART NUMBER	NOMENCLATURE
3-14	62951	Button	5-5	101174	Washer			
3-15		③ Insulator	5-6	101191	Nut			
3-16	65816	Rod	5-7		⑦ Spike			
			5-8	60972	Nut			
4-	66503	Carburetor	5-9	63997A	Plate			
4-1	110397	Screw	5-10	36644A	⑧ Sprocket			
4-2	65597	Plate	5-11	63808	Key			
4-3	65598	Diaphragm	5-12	64754	Spacer			
4-4	55690B	Seal	5-13	110406	Screw			
4-5	65868	Valve Set	5-	65882	Pump Assy			
4-6	66153	Seat	5-14	105559	Plug			
4-7	61151	Ball	5-15	110392	Pin			
4-8	63041 (1)	Valve	5-16	63428	Plunger			
4-9	104814	Screw	5-17	65881	Body			
4-10	62290A	Plate	5-18	62909	Valve			
4-11	65677	Retainer	5-19	63692	Spring			
4-12	65617	Plug	5-20	63474	Gasket			
4-13	105617	"O" Ring	5-21	102765	Screw			
4-14	101289	Ring	5-22	100003	Washer			
4-15	65859	Spring	5-	66208	Trans. Assy			
4-16	66552	Plunger	5-23	104360	"O" Ring			
4-17	66551	"O" Ring	5-24	110055	Screw			
4-18	104728	Screw	5-25	63491	Filler			
4-19	110337	Pin	5-26	110417	Screw			
4-20	62310	Lever	5-27	63416	Plate			
4-21	62923A	Spring	5-28	102067	Nut			
4-22	63038	Valve	5-29	110387	Washer			
4-23	65445	Needle	5-30	63824A	Nut			
4-24	104001	"O" Ring	5-31	102144	Screw			
4-25	110483	Screw	5-32	101174	Washer			
4-26	104814	Screw	5-33	110405	Screw			
4-27	65430	Lever	5-34	64779	Cover			
4-28	65431	Needle	5-35	101775	Plug			
4-29	62975	Swivel	5-36	63477	Seal			
4-30	65428	Shaft	5-37	63433	Gasket			
4-31	66504	Body	5-38	63478	Seal			
4-32	65432	Orifice	5-39	110348	Bearing			
4-33	63813	Orifice	5-40	64775	Gear			
4-34	59796	"O" Ring	5-41	110452	"O" Ring			
4-35	65724	Stud	5-42		⑨ Bearing			
4-36	62368	Bushing	5-43	66616	⑩ Gear Assy			
4-37	62435	Seal	5-44	64770	Gearcase			
			5-45	101770	Pin			
5-1	103729	Nut	5-46	64584	Bolt			
5-2	100006	Washer	5-47	64935	Plate			
5-3	63417	Plate	5-48		Bar			
5-	63994	Spike Kit	5-49		Chain			
5-4	110245	Screw	6-1	101391	Nut			

Changes to Figure 5.

6-2	61737A	Flywheel
6-3	103879	Key
6-4	101965	Screw
6-5	100003	Washer
6-6	51253	Retainer
6-7	62741	Lamination
6-8	62819	Wire
6-9	62818A	Wire
6-10	62927A	Coil
6-11	62929A	Wire
6-12	62932	Connector
6-13	62926	Boot
6-14	63097	Spark Plug
6-15	110349	Screw
6-16	62362	Cover
6-17	100298	Nut
6-18	62365	Spacer
6-19	110346	Screw
6-20	100934	Screw
6-21	105976	Washer
6-22	105249	Screw
6-23	61650	Condenser
6-24	62363	Breaker
6-25	54184	Wiper
6-26	62361	Box
6-27	100414	Screw
6-28	100955	Nut
6-29	62261A	⑪ Housing
6-30	62262	Cap

Continued

NOTES

③ Insulator listed as Item 1-K on this parts list sheet.

⑦ Spike not available. Order Spike Kit, P/N 63994.

⑧ 7 tooth, 1/2-inch pitch. Order Sprocket, P/N 52069A, for use with .404-inch pitch chain.

⑨ Bearing not available. Order Idler Gear Assy, P/N 66616.

⑩ Gear assembly includes bearing. See changes to Figure 5 on this page.

⑪ Pump housing only. Not furnished as a complete pump assembly.

FIG. & ITEM	PART NUMBER	NOMENCLATURE	FIG. & ITEM	PART NUMBER	NOMENCLATURE	FIG. & ITEM	PART NUMBER	NOMENCLATURE
6-31	62266	Plunger	6-50	100010	Cotter			
6-32	101056	"O" Ring	6-51	61649	Pin			
6-33	66687	Spring	6-52	62824	Piston Assy			
6-34	62230	Gasket	6-53	62814	Ring Set			
6-35	62909	Valve	6-54	103512	Bearing			
6-36	110407	Screw	6-55	65401	Conn Rod	1	66285	Manual
6-37	63974	Cover	6-56	61627A	Screw	2	51445A	Wrench
6-38	63442	Gasket	6-57	63225	Needle Set	3	62825	Piston Assy
6-39	57129A	Cap	6-58	65746	Oil Seal	4	62813	Ring Set
6-40	101148	"O" Ring	6-59	63464	Ring	5	103512	Bearing
6-41	62123B	Hose	6-60	63429B	Bearing	6	62826	Piston Assy
6-42	51506	Screen	6-61	66030	Insert Assy	7	62812	Ring Set
6-43	65385	Crankcase	6-62	65747	Oil Seal	8	103512	Bearing
6-44	62105	Screw	6-63	63699	Ring	9		<b>12</b> Frame
6-45	62842	Washer	6-64	104357	Bearing	10	65325	Screen
6-46	110404	Screw	6-65	63401A	Crankshaft	11	63432	Spark Plug
6-47	110288	Screw	6-66	105221	Screw	12	65778	Spark Plug
6-48	63607	Screw	6-67	101191	Nut	13	62142A	Lock
6-49	63606	Washer	6-68	65363	Guard	14	63357	Probe
						15	65712	<b>13</b> Timing Guide

ACCESSORY ITEMS

NOTES

**12** Wrap-around frame is standard equipment. See changes to Figure 1 on page 1 of this sheet.

**13** Timing Guide added to Accessory list.



**McCULLOCH CORPORATION**  
6101 WEST CENTURY BLVD., LOS ANGELES, CALIFORNIA 90045

**McCULLOCH OF CANADA, LTD.**  
77 BELFIELD ROAD, REXDALE, ONTARIO, CANADA

**McCULLOCH INTERNATIONAL, INC.**  
ARKSTRAAT 5, MECHELEN, BELGIUM  
G.P.O. BOX 879, HONG KONG, B. C. C.

**McCULLOCH OF AUSTRALIA PTY., LTD.**  
P. O. BOX 165, SOUTH GRANVILLE, N. S. W., AUSTRALIA

**McCULLOCH INTERNATIONAL (U.S.), INC.**  
P. O. BOX 45466 LOS ANGELES, CALIFORNIA, U. S. A.

66709