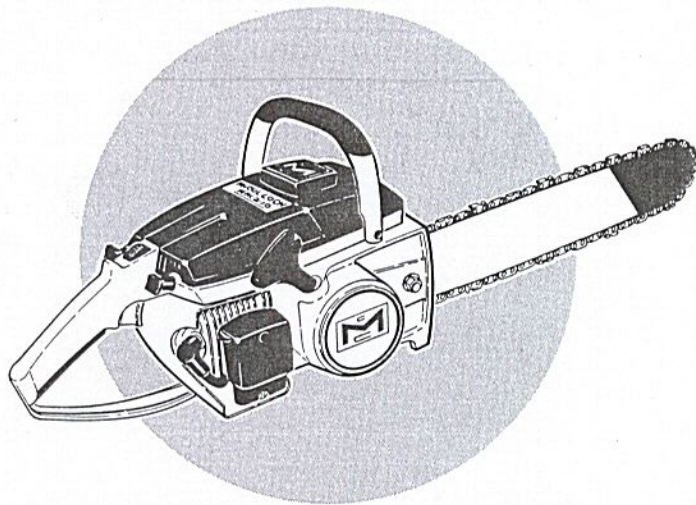


MASTER ILLUSTRATED PARTS LIST



MAC 2-10 Chain Saw

January 1970

CONTENTS

The policy of McCulloch Corporation is one of continual improvement in design, manufacturing and engineering advancement wherever possible to assure still finer two-cycle power tools. Hence, specifications, equipment, colors, design and manufacturer's suggested list prices are subject to change without notice and McCulloch Corporation reserves the right to make such changes without prior notification or obligation to backfit or supply backfit components for units previously shipped from the factory.

	Page
Figure 1. General	2
Figure 2. Clutch Guard Assembly	6
Figure 3. Fuel Tank Assembly	6
Figure 4. Fuel Tank Assembly	8
Figure 5. Fuel Tank Assembly	8
Figure 6. Carburetor Assembly	10
Figure 7. Carburetor Assembly	12
Figure 8. Carburetor Assembly	14
Figure 9. Powerhead Assembly	16
Figure 10. Power-Sharp System	18

This Master Illustrated Parts List gives the name, number and interchangeability between engines, of service and replacement parts which were used on or are presently available for all MAC 2-10 chain saws manufactured to date.

Information about the List and how to use it will be found on the back cover.
Read the information before you start to use the List.

 **McCULLOCH**

MODEL 2-10

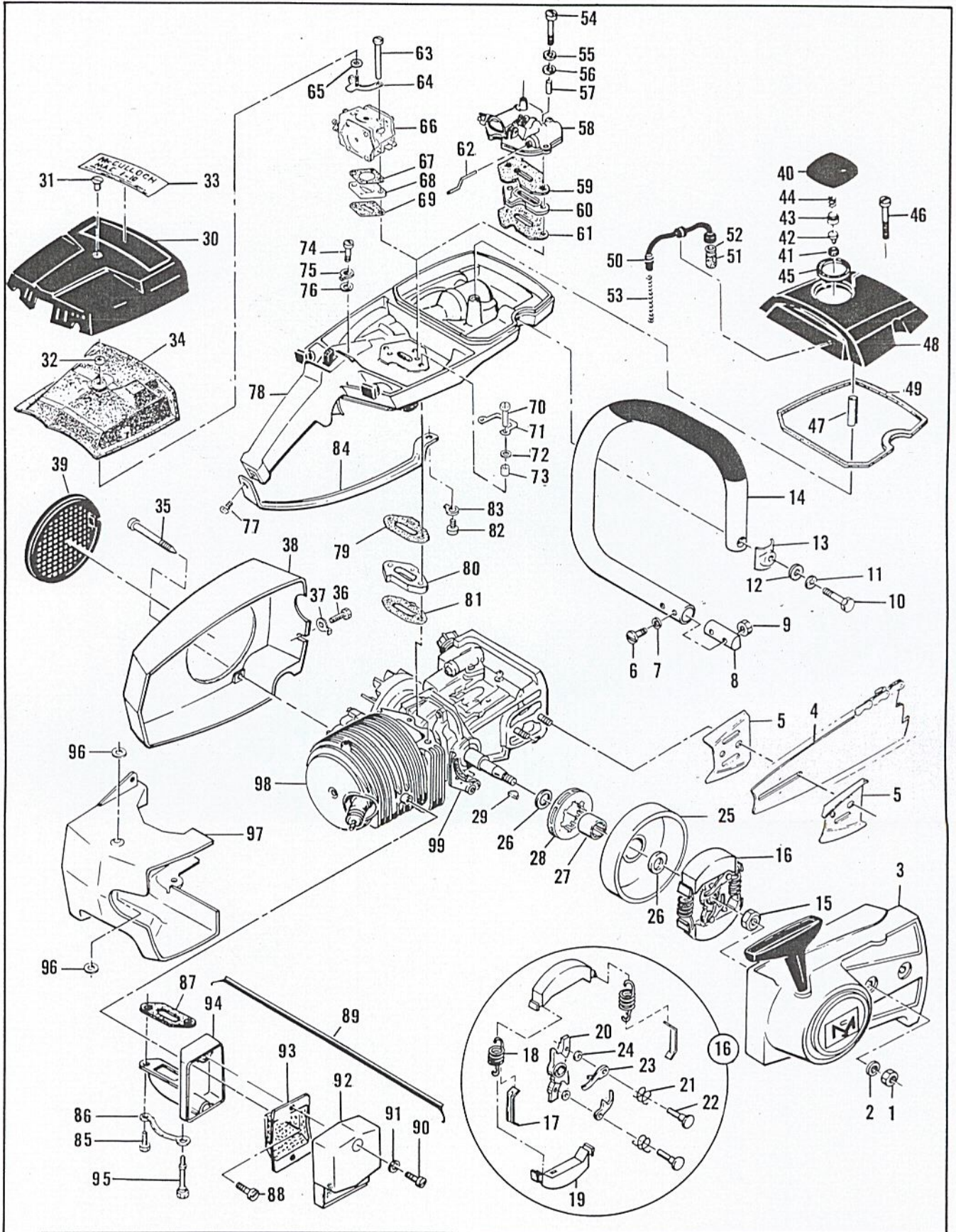


Figure 1. General

Figure 1. General

Item No.	Part Number	Description	Units Per Assy	Usable on Code					
MAC 2-10, 2-10A & 2-10PS Usable on Code									
Model	2-10	2-10	2-10	2-10	2-10	2-10A	2-10A	2-10PS	2-10PS
Letter	A	B	C	D	E	F	G	H	I
Serial Numbers	Up to 54001	54001 to 115001	115001 and up Without Prefix	Prefixed 1-	Prefixed 2-	Prefixed 10-	Prefixed 12-	Prefixed 10-	Prefixed 11-
1	110454	Nut - Hex 5/16-24	2	All					
2	100440	Washer - 5/16	2	All					
3		Clutch Guard and Starter Assy (See Figure 2)		All					
4		Bar and Chain Assy		All					
5	64330	Set - Bar plates (Accessory Item)	1	All					
6	102761	Screw - Hex hd 10-24 x 7/8	2	All					
7	100352	Washer - #10	2	All					
8	61678	Plug - Nut retainer	1	All					
9	101326	Nut - Hex 10-24	2	All					
10	101977	Screw - Fil hd 1/4-20 x 3/4	1	A,B,C					
	105187	Screw - Skt hd 1/4-20 x 1-1/8	1	D,E					
	102130	Screw - Hex hd 1/4-20 x 1-1/2	1	F,G,H,I					
11	105043	Lockwasher - 1/4	1	A,B,C					
	100153	Lockwasher - 1/4	1	F,G,H,I					
12	100004	Washer - 1/4	1	A,B,C,D,E					
13	63484	Clamp	1	F,G,H,I					
14	67372	Kit - Frame and grip	1	A,B,C,D,E					
	69054	Frame and Grip Assy	1	F,G,H,I					
15	110350	Nut - Flexloc 5/16-24	1	A,B					
	103746	Nut - Flexloc 3/8-24	1	C,D,E,F,G,H,I					
16	67148	Clutch Assy	1	All					
17	64583	. Retainer	2	All					
18	66384	. Spring - Clutch	2	All					
19	67233	. Shoe - Clutch	2	All					
20	67149	. Rotor Assy	1	All					
21	68837	. Spring - Pawl	2	All					
22	67112	. Rivet	2	All					
23	64857	. Pawl	2	All					
24	65473	. Washer - Special	2	All					
25	65370	Kit - Sprocket and drum assy	1	A,B,C,D,E,F,G					
26	61692	. Shim	2	A,B,C,D,E,F,G					
	64031	. Shim	2	H,I					
25	67644	Drum and Bearing Assy	1	H,I					
27	104519	. Bearing	1	H,I					
	110330	Bearing	1	A,B,C,D,E,F,G					
28	67646	Sprocket	1	H,I					
29	103879	Key - Woodruff	1	All					
30	62117	Cover Assy - Air cleaner	1	A,B,C					
	65866	Cover Assy - Air cleaner	1	D,E					
	65750	Cover Assy - Air cleaner	1	F,H					
	66597	Cover Assy - Air cleaner	1	G,I					
31	62434	. Nut - Cover	1	A,B,C					
	65813	. Nut - Cover	1	D,E					
	65720	. Nut - Cover	1	F,H					
	66290	. Nut - Cover	1	G,I					
32	66665	. Spacer - Nut	1	G,I					
33	65456	Nameplate	1	A,B,C,D,E					
	67417	Nameplate	1	F					
	67425	Nameplate	1	G					
	67433	Nameplate	1	H,I					
34	62077	Filter - Air	1	A,B,C					
	66774	Filter - Air	1	D,E					
	68521	Filter - Air	1	F,H					
	68520	Filter - Air	1	G,I					
35	62978	Screw - Special	3	All					

(This list continued on page 4)

MODEL 2-10

Figure 1. General (Continued)

Item No.	Part Number	Description	Units Per Assy	Usable on Code
36	105348	Screw - Hex hd 10-24 x 1/2	1	F,G,H,I
37	69890	Lockplate	1	F,G,H,I
38	83521	Kit - Fan housing	1	All
39	55615	. Guard - Flywheel	1	All
40	68531	Fuel Cap Assy	1	All
41	68533	. Plug	1	All
42	63041	. Valve	1	All
43	62316	. Guide	1	All
44	63040	. Spring	1	All
45	65671	. Gasket	1	All
46	110334	Screw - Oval hd 12-24 x 1-3/4	1	A,B,C,D,E
	110402	Screw - Oval hd 12-24 x 2-3/8	1	F,G,H,I
47	69686	Spacer - Screw	1	F,G,H,I
48	64796	Kit - Fuel tank cover	1	A,B
	*63656	Cover - Fuel tank	1	C,D,E
	63288	Cover - Fuel tank	1	F,G,H,I
49	69345	Gasket - Cover	1	All
50	63935	Hose Assy - Fuel	1	A,B
	*64848	Hose Assy - Fuel	1	C,D,E,F,G,H,I
51	*63932	. Filter - Fuel	1	All
52	*100440	. Washer	1	All
53	*67944	Spring - Hose stiffener	1	All
54	102433	Screw - Hex hd 10-24 x 1-5/8	2	A,B
	103355	Screw - Hex hd 10-24 x 1-7/8	2	C
	103124	Screw - Hex hd 10-24 x 2	2	D,E
	110551	Screw - Hex hd 10-24 x 2-1/8	2	F,H
55	100352	Washer - #10	2	A,B
	64856	Washer - #10	2	C,D,E
	36388	Lockplate	2	F,H
56	64856	Washer - #10	2	F,H
	68203	Washer - Insulating	2	All
57	62327A	Sleeve - Insulating	2	A,B,C
	65726	Sleeve - Insulating	2	D,E,F,H
58		Carburetor Assy (See Figure 6)		A,B,C
		Carburetor Assy (See Figure 7)		D,E,F,H
59	65672	Gasket - Carburetor	1	A,B,C,D,E,F,H
60	65821	Spacer - Carburetor	1	D,E
	67380	Spacer - Carburetor	1	F,H
61	65672	Gasket - Spacer	1	D,E
	67235	Gasket - Spacer	1	F,H
62	62066A	Rod - Primer	1	A,B,C
	65758	Rod - Primer	1	D,E,F,H
63	110551	Screw - Hex hd 10-24 x 2-1/8	2	G,I
64	66681	Bracket Assy	1	G,I
65	67062	Seal - Air cleaner	1	G
66		Carburetor Assy (See Figure 8)		G,I
67	68132	Gasket - Carburetor	1	G,I
68	66678	Spacer - Carburetor	1	G,I
69	68131	Gasket - Spacer	1	G,I
70	110553	Screw - Hex hd 10-24 x 1-3/8	2	G,I
71	68582	Lockplate	1	G,I
72	100003	Washer - #10	2	G,I
73	66189	Sleeve	2	G,I
74	102760	Screw - Hex hd 10-24 x 1	1	A,B
	102290	Screw - Hex hd 10-24 x 1-1/8	1	C,D,E
	110516	Screw - Hex hd 10-24 x 1-1/8	1	F,G,H,I
75	100352	Washer - #10	1	A,B
	64856	Washer - #10	1	C,D
	63475	Lockplate	1	E,F,G,H,I
76	68203	Washer - Insulating	1	A,B,C,D,E
	64856	Washer - #10	1	F,G,H,I

*Included with Fuel Tank Kit, P/N 64796

(This list continued on page 5)

Figure 1. General (Continued)

Item No.	Part Number	Description	Units Per Assy	Usable on Code
77	110353	Screw - Oval hd 10-24 x 3/8	1	All
78		Fuel Tank Assy (See Figure 3)		A,B,C,D,E
		Fuel Tank Assy (See Figure 4)		F,H
		Fuel Tank Assy (See Figure 5)		G,I
79	68130	Gasket - Fuel tank	1	All
80	61680B	Insulator - Fuel tank	1	A
	63396	Insulator - Fuel tank	1	B,C,D,E
	66659	Insulator - Fuel tank	1	F,G,H,I
81	68130	Gasket - Insulator	1	All
82	102289	Screw - Hex hd 10-24 x 3/4	1	All
83	100352	Washer - #10	1	A,B,C,D,E
	69890	Lockplate	1	F,G,H,I
84	69838	Brace - Handle	1	All
85	110506	Screw - Hex hd 10-24 x 5/8	1	All
86	67922	Lockplate	1	All
87	68149	Gasket - Spark arrester	1	All
88	110341	Screw - Hex hd 10-24 x 1/2	1	All
89	68194	Spark Arrester Assy	1	A,B,C,D,E
	68191	Spark Arrester Assy	1	F,G,H,I
90	102290	. Screw - Hex hd 10-24 x 1-1/8	2	All
91	110264	. Washer - #10	2	All
92	62380	. Cover Assy	1	All
93	62379B	. Baffle	1	All
94	83105	. Body and Duct Assy	1	A,B,C,D,E
	83106	. Body and Duct Assy	1	F,G,H,I
95	68187	. . Screw - Special	1	All
96	62085A	Insulator - Shroud	2	All
97	67377	Shroud	1	All
98		Powerhead Assy (See Figure 9)	1	All
99		Power-Sharp System (See Figure 10)	1	H,I

SERVICE SPECIFICATIONS

Spark Plug Gap	-----	0.025 in.
Lamination Gap	-----	0.010 to 0.015 in.
Breaker Point Gap	-----	0.018 in.
Torque Values		
Flywheel Nut	-----	240 to 300 inch-pounds.
Clutch Nut	-----	160 to 170 inch-pounds.
Connecting Rod Screws	-----	65 to 70 inch-pounds.

MODEL 2-10

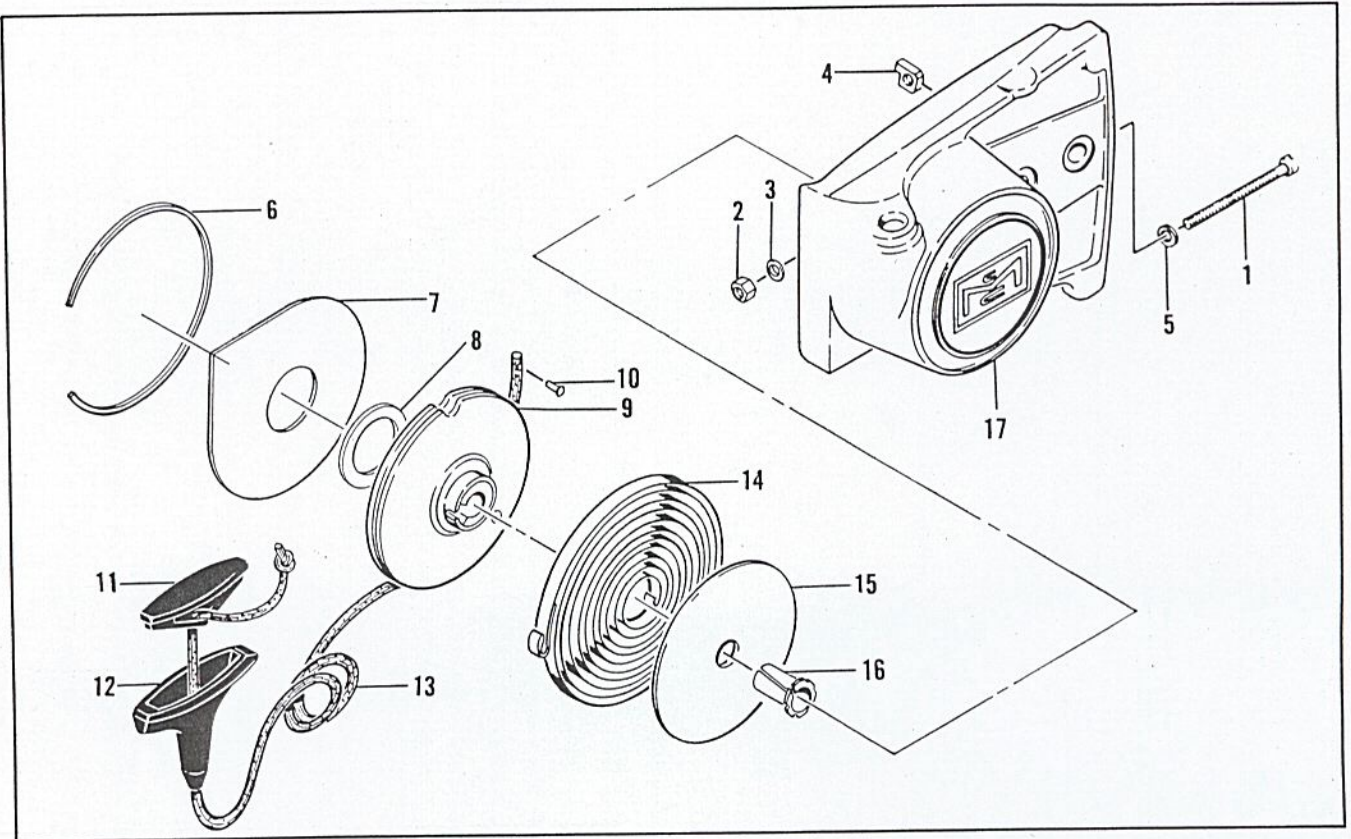


Figure 2. Clutch Guard Assembly

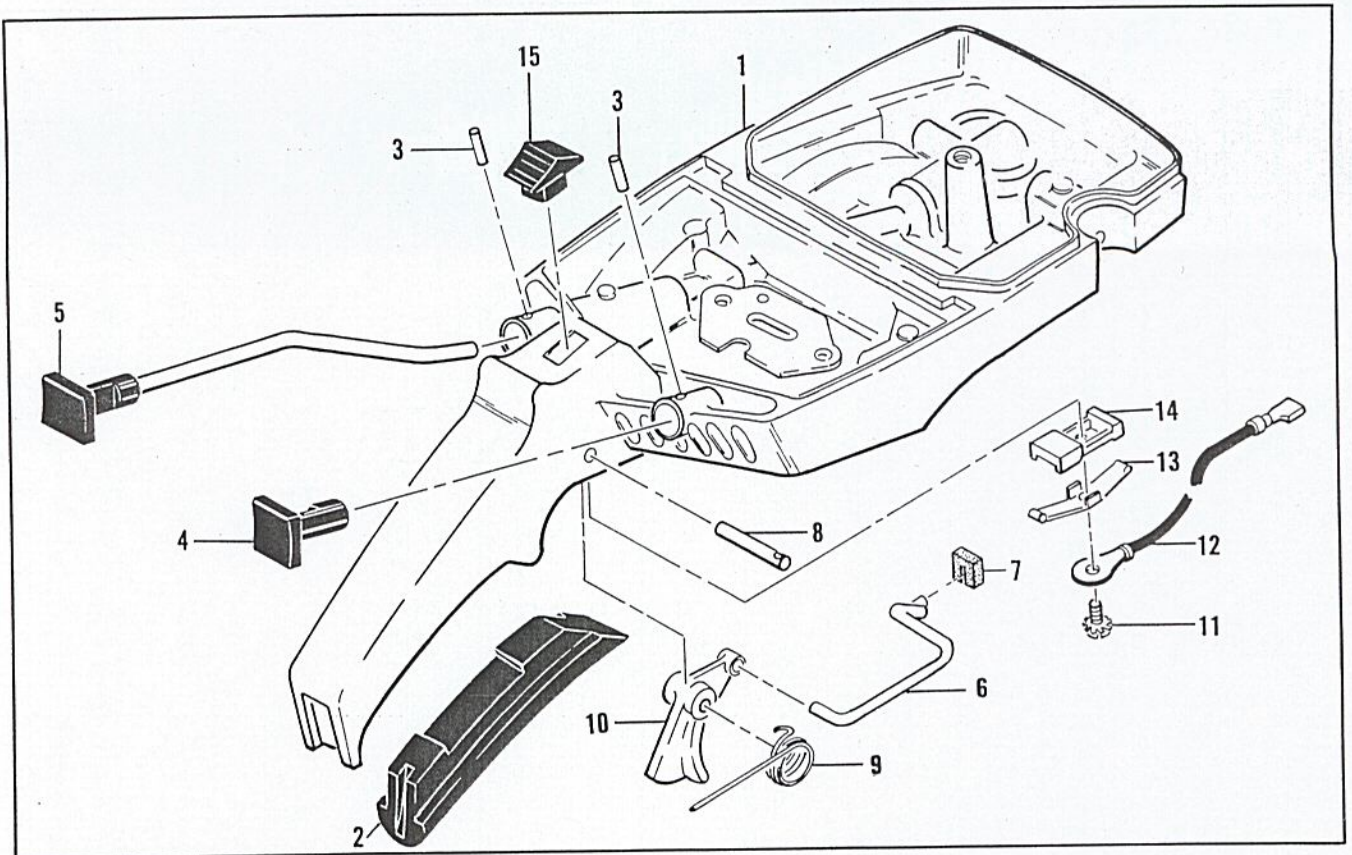


Figure 3. Fuel Tank Assembly

Figure 2. Clutch and Starter Assemblies

Item No.	Part Number	Description	Units Per Assy	Usable on Code					
MAC 2-10, 2-10A & 2-10PS Usable on Code									
Model	2-10	2-10	2-10	2-10	2-10	2-10A	2-10A	2-10PS	2-10PS
Letter	A	B	C	D	E	F	G	H	I
Serial Numbers	Up to 54001	54001 to 115001	115001 and up Without Prefix	Prefixed 1-	Prefixed 2-	Prefixed 10-	Prefixed 12-	Prefixed 10-	Prefixed 11-
1	67206	Clutch Guard Assy	1	All					
1	102144	. Screw - Bar adjusting	1	All					
2	102067	. Nut - Hex 10-24	1	All					
3	110387	. Washer - Wave	1	All					
4	61705	. Nut - Bar adjusting	1	All					
5	101174	. Washer - #10	1	All					
6	67205	. Retainer - Shield	1	All					
7	63985	. Shield - Dust	1	All					
8	63986	. Washer - Thrust	1	All					
9	68695	. Drum - Starter	1	All					
10	110470	. Rivet - Starter rope	1	All					
11	62191A	. Insert - Starter handle	1	All					
12	62190A	. Handle - Starter	1	All					
13	69964	. Rope - Starter	1	All					
14	68626	. Spring - Starter rewind	1	All					
15	63987	. Shield - Starter spring	1	All					
16	61635A	. Bushing - Nylon	1	All					
17	67207	. Guard - Clutch	1	All					

Figure 3. Fuel Tank Assembly

Item No.	Part Number	Description	Units Per Assy	Usable on Code					
MAC 2-10, 2-10A & 2-10PS Usable on Code									
Model	2-10	2-10	2-10	2-10	2-10	2-10A	2-10A	2-10PS	2-10PS
Letter	A	B	C	D	E	F	G	H	I
Serial Numbers	Up to 54001	54001 to 115001	115001 and up Without Prefix	Prefixed 1-	Prefixed 2-	Prefixed 10-	Prefixed 12-	Prefixed 10-	Prefixed 11-
1	66648	Fuel Tank Assy	1	A,B,C,D,E					
2	64872	Grip - Handle	1	A,B,C,D,E					
3	105673	Pin - Roll 3/32 x 9/16	2	A,B,C,D,E					
4	66194	Button - Primer	1	A,B,C,D,E					
5	63052	Button and Rod Assy - Oiler	1	A,B					
6	64871	Button and Rod Assy - Oiler	1	C,D,E					
6	62970C	Rod - Throttle	1	A,B					
	65816	Rod - Throttle	1	C,D,E					
7	67989	Seal - Throttle rod	1	A,B,C,D,E					
8	110378	Pin - Roll 3/16 x 15/16	1	A,B,C,D,E					
9	65734	Spring - Throttle return	1	A,B,C,D,E					
10	67224	Trigger - Throttle	1	A,B,C,D,E					
11	103672	Screw - Fil hd 8-32 x 1/2 (SEMS)	1	A,B,C,D,E					
12	62973A	Wire Assy - Stop switch	1	A,B,C,D,E					
13	62451	Contact - Switch	1	A,B,C,D,E					
14	62950A	Base - Switch	1	A,B,C,D,E					
15	62951	Button - Switch	1	A,B,C,D,E					

MODEL 2-10

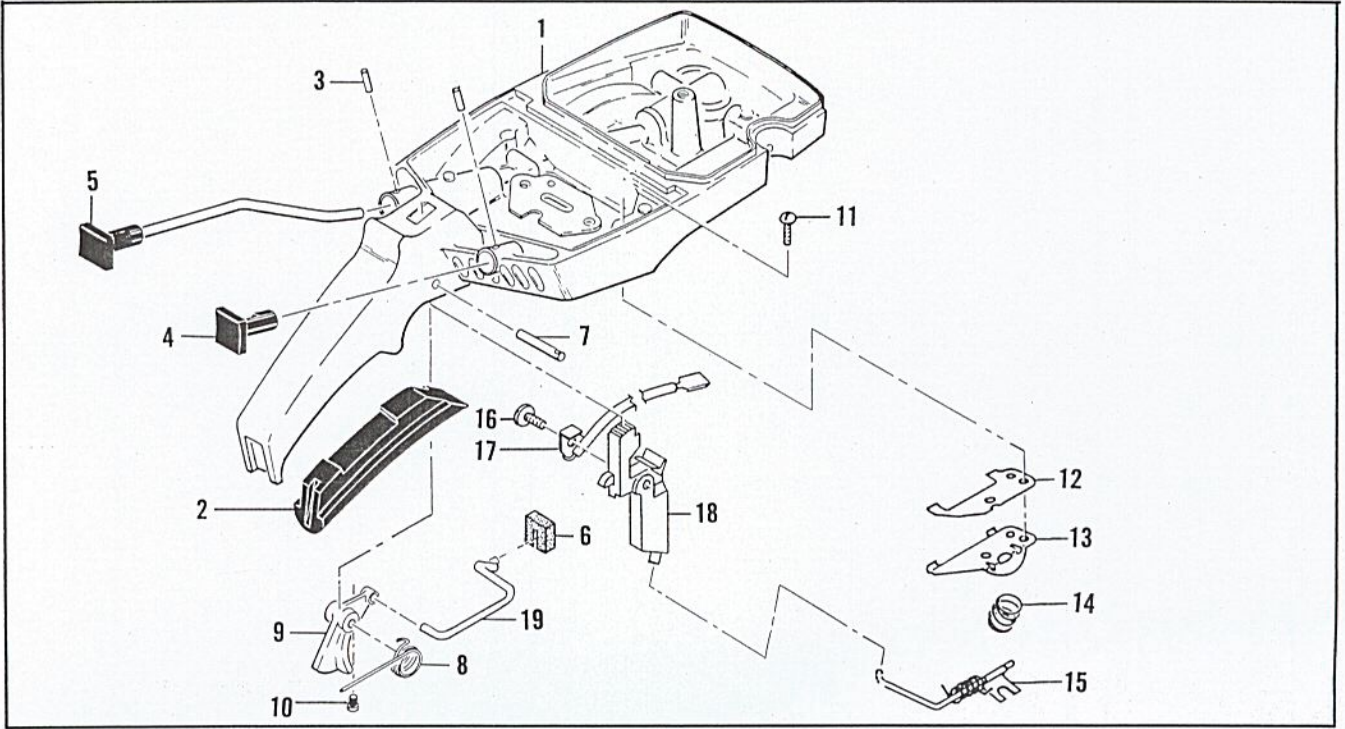


Figure 4. Fuel Tank Assembly

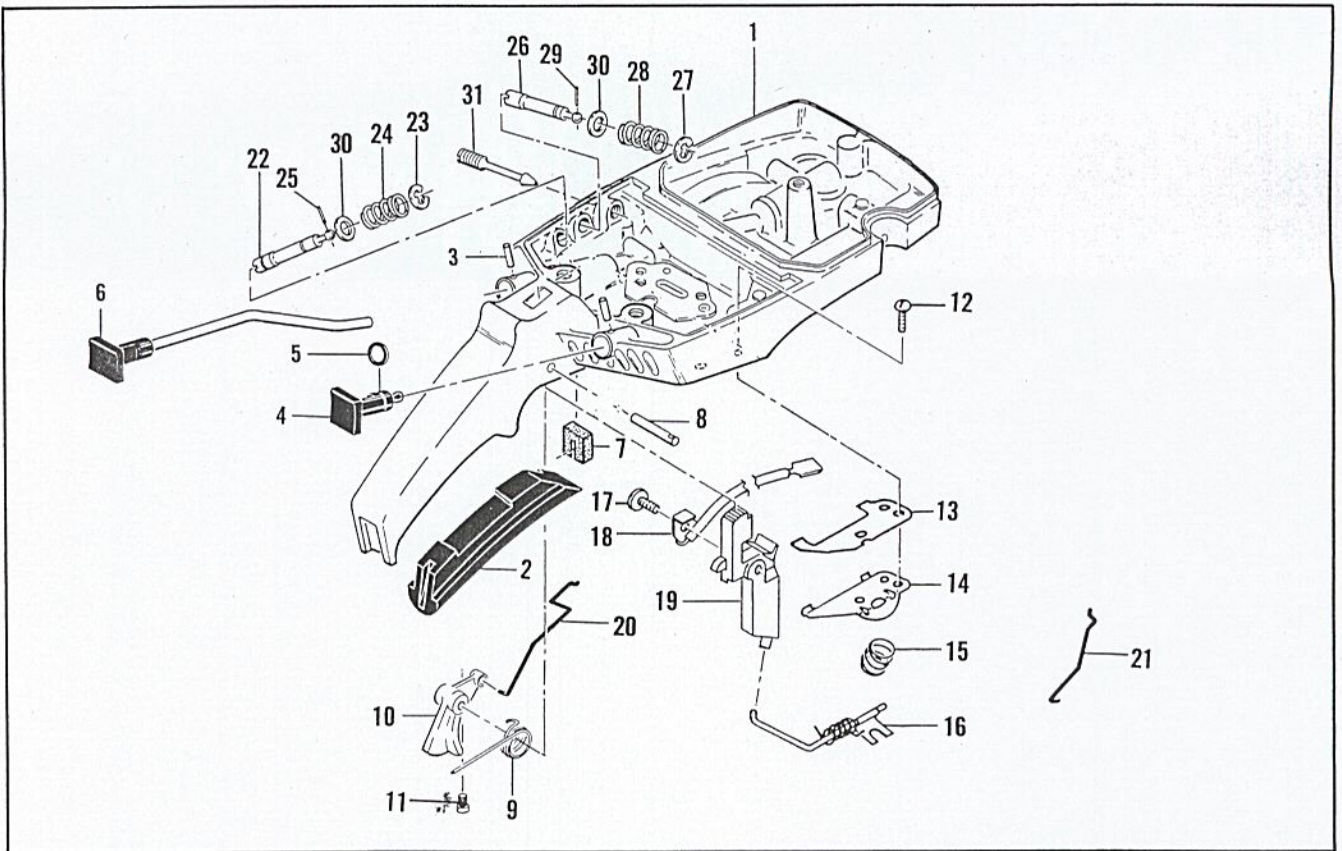


Figure 5. Fuel Tank Assembly

Figure 4. Fuel Tank Assembly

Item No.	Part Number	Description	Units Per Assy	Usable on Code
1	66648	Fuel Tank Assy	1	F,H
2	64872	Grip - Handle	1	F,H
3	105673	Pin - Roll 3/32 x 9/16	2	F,H
4	66194	Button - Primer	1	F,H
5	64871	Button and Rod Assy - Oiler	1	F,H
6	67989	Seal - Throttle rod	1	F,H
7	110378	Pin - Roll 3/16 x 15/16	1	F,H
8	65734	Spring - Throttle return	1	F,H
9	67224	Trigger - Throttle	1	F,H
10	110537	Screw - Fil hd 8-36 x 1/2	1	F,H
11	105249	Screw - Rd hd 8-32 x 3/8	1	F,H
12	64621	Shield - Bracket	1	F,H
13	64721	Bracket - Lever assy	1	F,H
14	69687	Spring - Valve	1	F,H
15	69811	Lever Assy - Compression release	1	F,H
16	110469	Screw - Pan hd 8-32 x 5/16	1	F,H
17	65873	Wire Assy - Stop switch	1	F,H
18	67209	Button - Control	1	F,H
19	66156	Rod - Throttle	1	F,H

Model	2-10	2-10	2-10	2-10	2-10	2-10A	2-10A	2-10PS	2-10PS
Letter	A	B	C	D	E	F	G	H	I
Serial Numbers	Up to 54001	54001 to 115001	115001 and up Without Prefix	Prefixed 1-	Prefixed 2-	Prefixed 10-	Prefixed 12-	Prefixed 10-	Prefixed 11-

Figure 5. Fuel Tank Assembly

Item No.	Part Number	Description	Units Per Assy	Usable on Code
1	68683	Fuel Tank Assy	1	G,I
2	64872	Grip - Handle	1	G,I
3	105673	Pin - Roll 3/32 x 9/16	2	G,I
4	68517	Button - Choke	1	G,I
5	101056	"O" Ring	1	G,I
6	64871	Button and Rod Assy - Oiler	1	G,I
7	67989	Seal - Throttle rod	1	G,I
8	110378	Pin - Roll 3/16 x 15/16	1	G,I
9	65734	Spring - Throttle return	1	G,I
10	67224	Trigger - Throttle	1	G,I
11	110537	Screw - Fil hd 8-36 x 1/2	1	G,I
12	105249	Screw - Rd hd 8-32 x 3/8	2	G,I
13	64621	Shield - Bracket	1	G,I
14	64721	Bracket - Lever assy	1	G,I
15	69687	Spring - Valve	1	G,I
16	69811	Lever Assy - Compression release	1	G,I
17	110469	Screw - Pan hd 8-32 x 5/16	1	G,I
18	65873	Wire Assy - Stop switch	1	G,I
19	67209	Button - Control	1	G,I
20	68170	Rod - Throttle	1	G,I
21	67355	Rod - Choke	1	G,I
22	68102	Extension Assy - High speed	1	G,I
23	110512	. Ring - Retaining	1	G,I
24	67363	. Spring	1	G,I
25	110509	. Pin - Groove	1	G,I
26	68101	Extension Assy - Idle	1	G,I
27	110512	. Ring - Retaining	1	G,I
28	67363	. Spring	1	G,I
29	110509	. Pin & Groove	1	G,I
30	67292	Washer	2	G,I
31	67271	Screw - Idle speed	1	G,I

MODEL 2-10

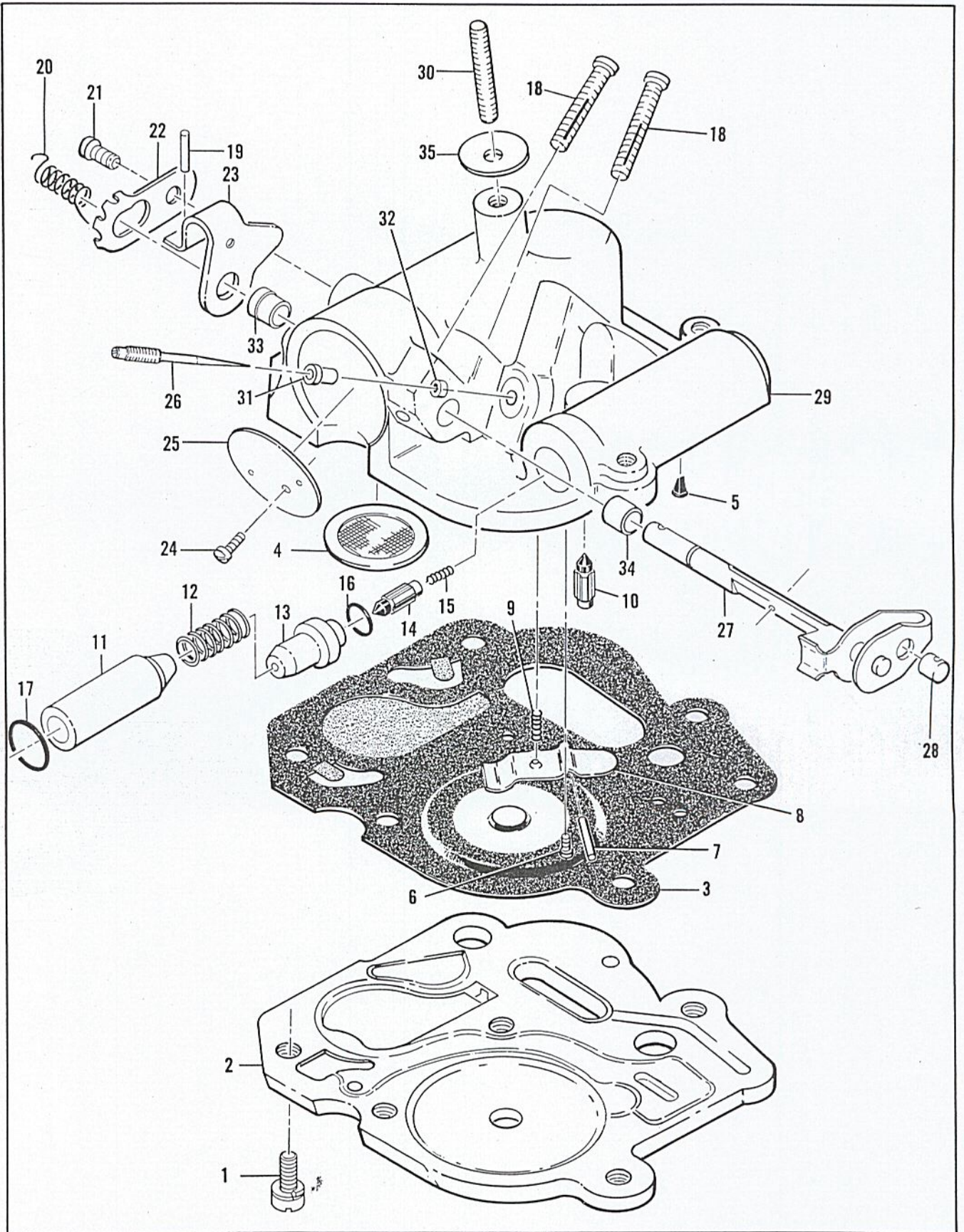


Figure 6. McCulloch Single Needle Carburetor Assembly

Figure 6. Carburetor Assembly

Item No.	Part Number	Description	Units Per Assy	Usable on Code					
MAC 2-10, 2-10A & 2-10PS Usable on Code									
Model	2-10	2-10	2-10	2-10	2-10	2-10A	2-10A	2-10PS	2-10PS
Letter	A	B	C	D	E	F	G	H	I
Serial Numbers	Up to 54001	54001 to 115001	115001 and up Without Prefix	Prefixed 1-	Prefixed 2-	Prefixed 10-	Prefixed 12-	Prefixed 10-	Prefixed 11-
1	*66564	Carburetor Assy (McCulloch Single Needle) . . .	1	A,B,C					
2	110397	. Screw - Pan hd 8-32 x 7/16 (SEMS)	5	A,B,C					
3	65597	. Plate - Carburetor base	1	A,B,C					
4	67357	. Diaphragm Assy - Pump	1	A,B,C					
5	55690B	. Seal - Capillary	1	A,B,C					
6	63041	. Valve - Primer	1	A,B,C					
7	104728	. Screw - Bind hd 6-32 x 1/4	1	A,B,C					
8	110337	. Pin - Inlet lever	1	A,B,C					
9	62310	. Lever - Inlet	1	A,B,C					
10	62923A	. Spring - Inlet lever	1	A,B,C					
11	63038	. Valve - Inlet needle	1	A,B,C					
12	62308A	. Plunger - Primer	1	A,B,C					
13	11086	. Spring - Plunger	1	A,B,C					
14	63037	. Seat - Primer valve	1	A,B,C					
15	63038	. Valve - Primer needle	1	A,B,C					
16	63039	. Spring - Needle valve	1	A,B,C					
17	101056	. "O" Ring	1	A,B,C					
18	105606	. "O" Ring	1	A,B,C					
19	62971	. Screw - Long locking adjustment	2	A,B,C					
20	104245	. Pin - Roll 1/16 x 1/2	1	A,B,C					
21	62939A	. Spring - Idle governor	1	A,B,C					
22	103934	. Screw - Pan hd 6-32 x 1/4 (SEMS)	1	A,B,C					
23	62938	. Clip - Throttle shaft	1	A,B,C					
24	62343A	. Lever - Throttle	1	A,B,C					
25	104814	. Screw - Pan hd 4-40 x 1/4 (SEMS)	1	A,B,C					
26	62290A	. Plate - Throttle	1	A,B,C					
27	62976A	. Needle - Metering	1	A,B,C					
28	62291A	. Shaft Assy - Throttle	1	A,B,C					
29	62975	. Swivel - Needle	1	A,B,C					
30	63019B	. Body Assy - Carburetor	1	A,B,C					
31	62433B	. Stud - Carburetor	1	A,B,C					
32	62295D	. Orifice - Air	1	A,B,C					
33	66569	. Orifice - Fuel	1	A,B,C					
34	62288A	. Bushing - Throttle shaft	1	A,B,C					
35	62368	. Bushing - Throttle shaft	1	A,B,C					
	67062	Seal - Air cleaner stud	1	A,B,C					

* Same as Carburetor Assembly, P/N 66503 (Figure 7), except includes Stud, P/N 62433B, and Primer Rod, P/N 65851.

MCCULLOCH SINGLE NEEDLE CARBURETOR ADJUSTMENT

1. Turn Lo Speed screw counterclockwise until it no longer touches stop and butterfly can be completely closed.
2. Hold finger against closed butterfly and turn Lo Mix needle clockwise until butterfly starts to open. Turn the needle counterclockwise three turns.
3. Hold finger against closed butterfly and turn Lo Speed screw clockwise until butterfly starts to open. Turn the screw one half turn more.
4. Turn the Lo Mix needle in or out (leaner or richer) to obtain a smooth rapid acceleration. Roll the engine right and left, bar up and bar down. Check for smooth idle in all positions and adjust Lo Mix needle as necessary.
5. Set tension on the idle governor spring so that the engine idles smoothly in all positions and after any change in position. If chain moves after position change, reduce tension.
6. Adjust Hi Mix screw for maximum power under load. Make sure that when trigger is released the engine does not speed up before returning to idle. Turn screw clockwise until engine slows down immediately after trigger release. DO NOT TOUCH LO MIX NEEDLE. ADJUST FOR HIGH SPEED OPERATION WITH HI MIX SCREW ONLY.
7. With throttle in wide open position, adjust Hi Mix screw to set butterfly in horizontal position. Now turn screw clockwise until butterfly just starts to close.
8. Set tension on idle governor spring to hold butterfly slightly open.

MODEL 2-10

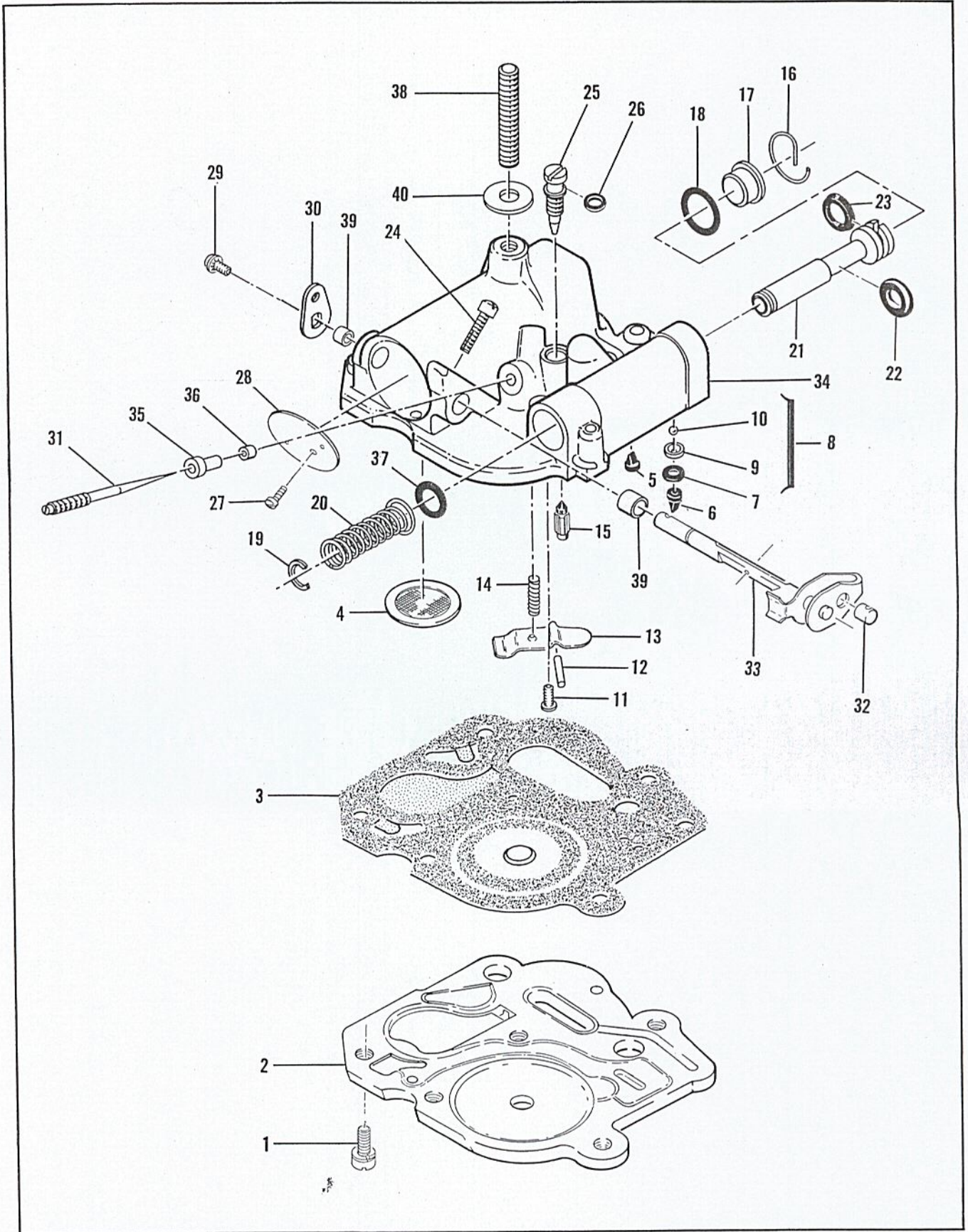


Figure 7. McCulloch Double Needle Carburetor Assembly

Figure 7. Carburetor Assembly

Item No.	Part Number	Description	Units Per Assy	Usable on Code					
MAC 2-10, 2-10A & 2-10PS Usable on Code									
Model	2-10	2-10	2-10	2-10	2-10	2-10A	2-10A	2-10PS	2-10PS
Letter	A	B	C	D	E	F	G	H	I
Serial Numbers	Up to 54001	54001 to 115001	115001 and up Without Prefix	Prefixed 1-	Prefixed 2-	Prefixed 10-	Prefixed 12-	Prefixed 10-	Prefixed 11-
1	66503	Carburetor Assy (McCulloch Double Needle) . .	1						D,E,F,H
2	110397	. Screw - Pan hd 8-32 x 7/16 (SEMS)	5						D,E,F,H
3	65597	. Plate - Carburetor base	1						D,E,F,H
4	67357	. Diaphragm Assy - Pump	1						D,E,F,H
5	66796	. Seal - Capillary	1						D,E,F,H
6	63041	. Valve - Primer	1						D,E,F,H
7	63041	. Valve - Primer	1						D
8	106136	. "O" Ring	1						D,E,F,H
9	65868	. Set - Ball and seat	1						D,E,F,H
10	66153	. . Seat	1						D,E,F,H
11	61151	. . Ball	1						D,E,F,H
12	104728	. Screw - Bind hd 6-32 x 1/4	1						D,E,F,H
13	110337	. Pin - Inlet lever	1						D,E,F,H
14	62310	. Lever - Inlet	1						D,E,F,H
15	62923A	. Spring - Inlet lever	1						D,E,F,H
16	63038	. Valve - Inlet needle	1						D,E,F,H
17	65677	. Retainer - Primer plug	1						D,E,F,H
18	65617	. Plug - Primer	1						D,E,F,H
19	105617	. "O" Ring	1						D,E,F,H
20	101289	. Ring - Retaining	1						D,E,F,H
21	65859	. Spring - Plunger	1						D,E,F,H
22	66552	. Plunger - Primer	1						D,E,F,H
23	59796	. "O" Ring	2						D
24	66551	. "O" Ring	1						E,F,H
25	67116	. Seal - "V" Packing	1						E,F,H
26	110483	. Screw - Adjusting	1						D,E,F,H
27	65445	. Needle - Main fuel	1						D,E,F,H
28	104001	. "O" Ring	1						D,E,F,H
29	104814	. Screw - Pan hd 4-40 x 1/4 (SEMS)	1						D,E,F,H
30	62290A	. Plate - Throttle	1						D,E,F,H
31	104814	. Screw - Pan hd 4-40 x 1/4 (SEMS)	1						D,E,F,H
32	65430	. Lever - Throttle	1						D,E,F,H
33	65431	. Needle - Metering	1						D,E,F,H
34	62975	. Swivel - Needle	1						D,E,F,H
35	65428	. Shaft Assy - Carburetor	1						D,E,F,H
36	66504	. Body Assy - Carburetor	1						D,E,F,H
37	65432	. . Orifice - Air	1						D,E,F,H
38	66569	. . Orifice - Fuel	1						D,E,F,H
39	59796	. . "O" Ring	1						D,E,F,H
40	65724	. . Stud - Carburetor	1						D,E,F,H
41	62368	. . Bushing	2						D,E,F,H
42	67062	Seal - Air cleaner stud	1						D,E,F,H

McCULLOCH DOUBLE NEEDLE CARBURETOR ADJUSTMENT

1. Turn Lo Speed screw counterclockwise until it no longer touches stop and butterfly can be completely closed.
2. Hold finger against closed butterfly and turn Lo Mix needle clockwise until butterfly starts to open. Turn the needle counterclockwise two and one half turns.
3. Hold finger against closed butterfly and turn Lo Speed screw clockwise until butterfly starts to open. Turn the screw clockwise one half turn more.
4. Turn Hi Mix needle clockwise until resistance is felt, then turn the needle counterclockwise two full turns.
5. Turn the Lo Mix needle to obtain smooth rapid acceleration every time without faltering. Check for smooth idle for all positions of the saw and readjust the Lo Mix needle if necessary.
6. Adjust Hi Mix needle for maximum power under load. Turn the needle in for leaner and out for richer mixture. Do not adjust the needle for leaner mixture than necessary to obtain smooth, even running under a cutting load.

MODEL 2-10

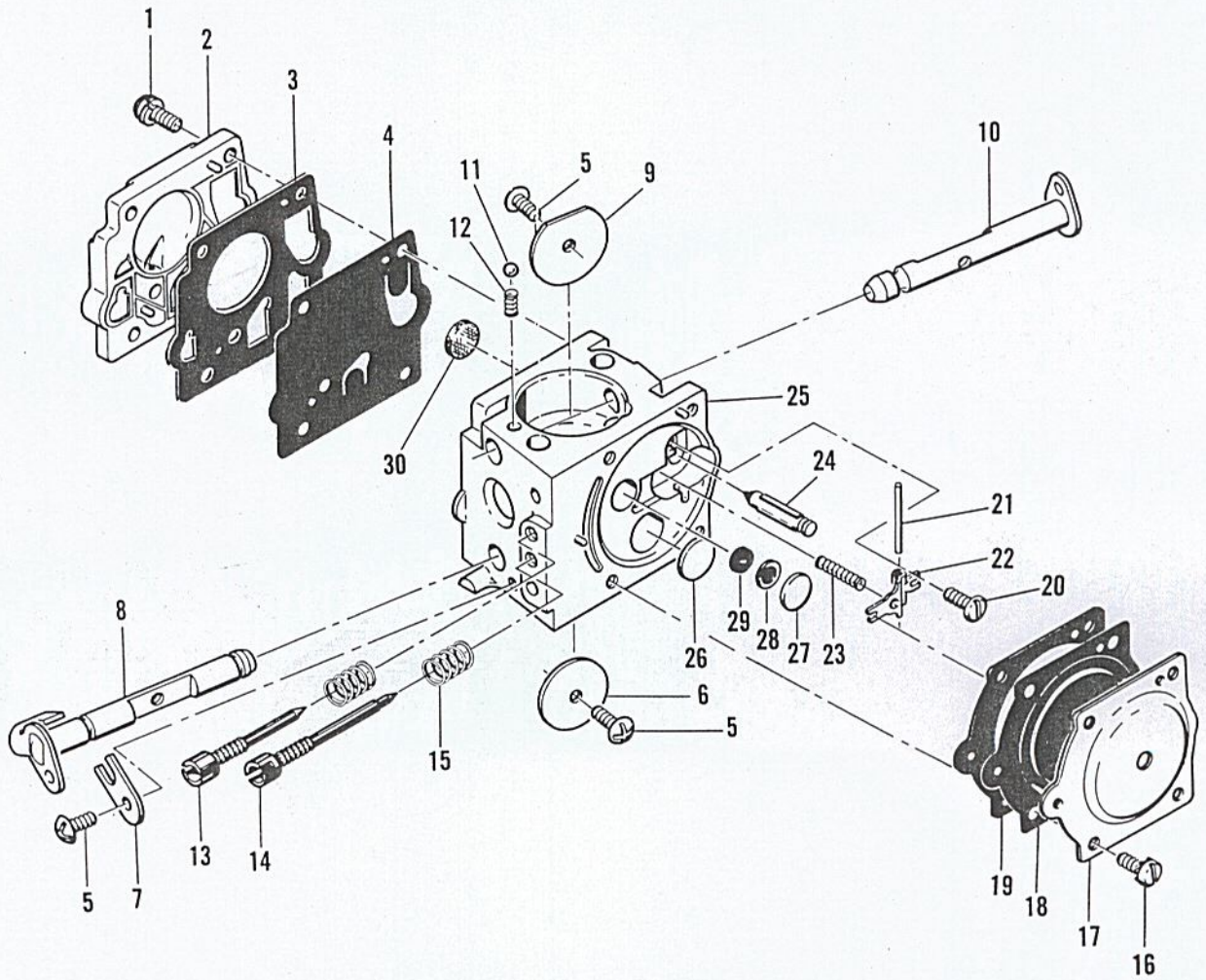


Figure 8. McCulloch SDC-2 Carburetor Assembly

Figure 8. Carburetor Assembly

Item No.	Part Number	Description	Units Per Assy	Usable on Code					
MAC 2-10, 2-10A & 2-10PS Usable on Code									
Model	2-10	2-10	2-10	2-10	2-10A	2-10A	2-10PS	2-10PS	
Letter	A	B	C	D	E	F	G	H	I
Serial Numbers	Up to 54001	54001 to 115001	115001 and up Without Prefix	Prefixed 1-	Prefixed 2-	Prefixed 10-	Prefixed 12-	Prefixed 10-	Prefixed 11-
1	67379	Carburetor Assy (McCulloch SDC-2)	1						G,I
	67501	. Screw - Pump cover	4						G,I
2	83760	. Cover - Pump	1						G,I
3	*67495	. Gasket - Cover	1						G,I
4	*83114	. Diaphragm - Fuel pump	1						G,I
5	*47690	. Screw - Plate	3						G,I
6	67487	. Plate - Throttle	1						G,I
7	67489	. Clip - Shaft	1						G,I
8	67486	. Shaft Assy - Throttle	1						G,I
9	67490	. Plate - Choke	1						G,I
10	67488	. Shaft Assy - Choke	1						G,I
11	*100302	. Ball - Choke friction	1						G,I
12	*67504	. Spring - Choke	1						G,I
13	*67506	. Needle - High speed	1						G,I
14	*67505	. Needle - Idle	1						G,I
15	*67502	. Spring - Needle	2						G,I
16	70798	. Screw - Diaphragm cover	4						G,I
17	83761	. Cover - Diaphragm	1						G,I
18	*67499	. Diaphragm - Metering	1						G,I
19	*67496	. Gasket - Diaphragm	1						G,I
20	*67500	. Screw - Lever pin	1						G,I
21	*67508	. Pin - Lever	1						G,I
22	*67509	. Lever - Metering	1						G,I
23	*67503	. Spring - Lever	1						G,I
24	*67491	. Valve - Needle	1						G,I
25	67483	. Body Assy - Carburetor	1						G,I
26	*71690	. . Plug - 3/8	1						G,I
27	*69506	. . Plug - 5/16	1						G,I
28	69203	. . Seat Assy	1						G,I
29	69204	. . Valve	1						G,I
30	*67507	. . Screen - Fuel	1						G,I
	*67482	Gasket Set							
	67481	Repair Kit							

*Indicates parts included in Repair Kit, P/N 67481

McCULLOCH SDC-2 CARBURETOR ADJUSTMENT

- Carefully turn both the high speed and idle needles clockwise until resistance is felt, then turn both needles counterclockwise one full turn.
- With engine warmed up, adjust the idle speed screw in or out until the engine idles just below clutch engagement speed.
- Adjust the idle mixture needle in or out (leaner or richer) to obtain smooth, rapid acceleration every time without faltering. If necessary, readjust the idle speed screw.
- Adjust the high speed mixture needle for maximum power under load. Turn the needle in for leaner and out for richer mixture. Do not use any leaner setting than necessary to obtain smooth, even running when cutting wood.

MODEL 2-10

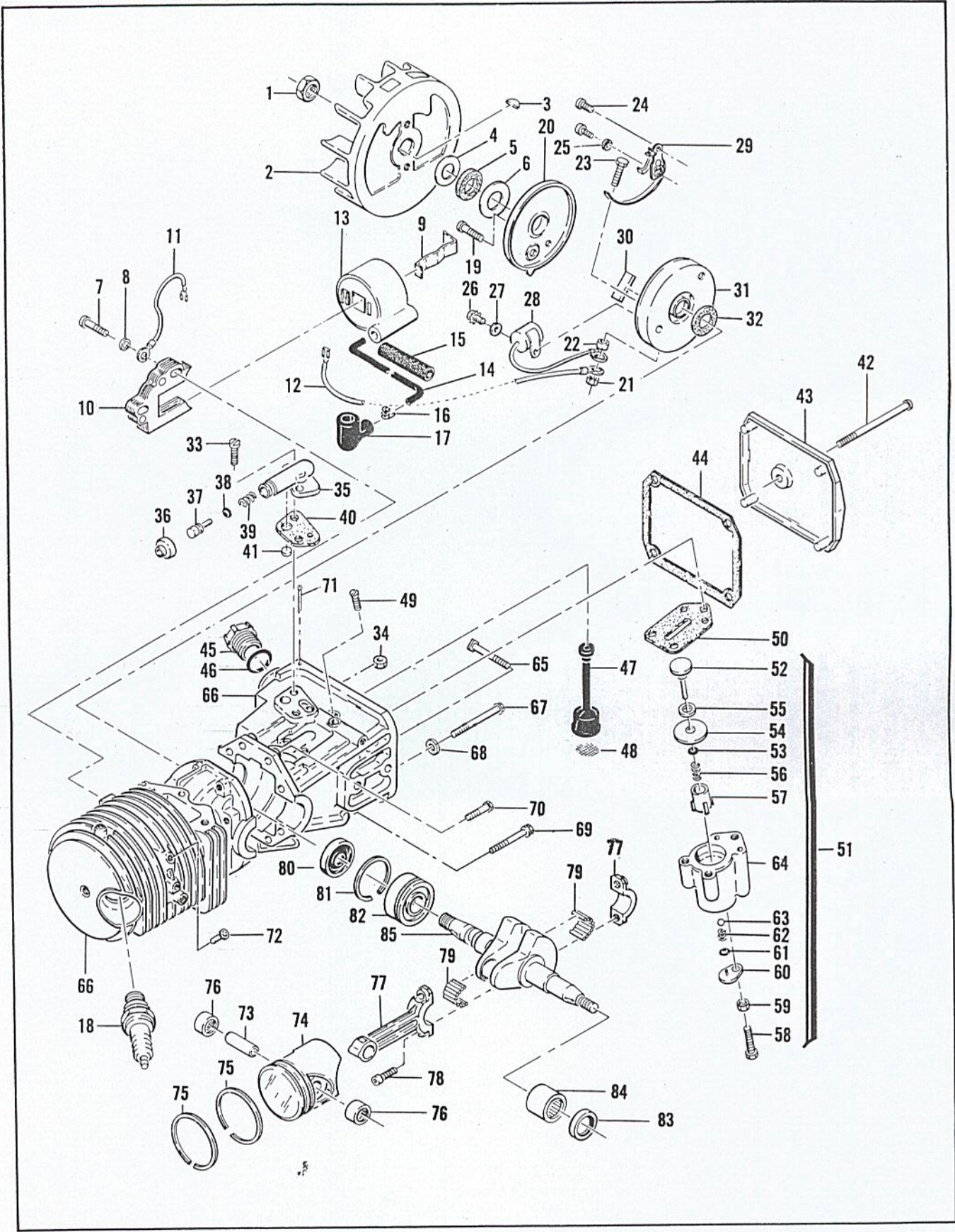


Figure 9. Powerhead Assembly

Figure 9. Powerhead Assembly

Item No.	Part Number	Description	Units Per Assy	Usable on Code					
MAC 2-10, 2-10A & 2-10PS Usable on Code									
Model	2-10	2-10	2-10	2-10	2-10	2-10A	2-10A	2-10PS	2-10PS
Letter	A	B	C	D	E	F	G	H	I
Serial Numbers	Up to 54001	54001 to 115001	115001 and up Without Prefix	Prefixed 1-	Prefixed 2-	Prefixed 10-	Prefixed 12-	Prefixed 10-	Prefixed 11-
1	101391	Nut - Hex 3/8-24	1	All					
2	61737A	Flywheel Assy	1	All					
3	103879	Key - Woodruff	1	All					
4	67057	Washer - Thrust	1	F,G,H,I					
5	67056	Seal - Cover	1	F,G,H,I					
6	67054	Washer - Thrust	1	F,G,H,I					
7	101965	Screw - Fil hd 10-24 x 7/8 (SEMS)	2	A,B,C,D,E					
	110127	Screw - Hex hd 10-24 x 7/8 (SEMS)	2	F,G,H,I					
8	100002	Washer - #10	2	A,B					
	100003	Washer - #10	2	C,D,E,F,G,H,I					
9	51253	Retainer - Coil	1	All					
10	68164	Lamination	1	All					
11	62819	Wire Assy - Ground	1	All					
12	69344	Wire Assy - Primary	1	All					
13	69798	Kit - Coil	1	All					
14	69966	. Wire Assy - Spark plug	1	All					
15	67127	. . Sleeve	1	All					
16	62932	. . Connector	1	All					
17	62926	. . Boot	1	All					
18	63097	Spark Plug	1	All					
19	110349	Screw - Rd hd 8-32 x 3/4	1	All					
20	62362	Cover - Breaker box	1	All					
21	100298	Nut - Hex 6-32	1	All					
22	62365	Spacer - Breaker screw	1	All					
23	110346	Screw - Hex hd 6-32 x 3/4	1	All					
24	100934	Screw - Rd hd 8-32 x 3/8	2	All					
25	105976	Washer - #8	1	All					
26	105249	Screw - Rd hd 8-32 x 3/8 (SEMS)	1	All					
27	100080	Washer - #8	1	All					
28	61650	Condenser	1	All					
29	62363	Breaker Assy	1	All					
30	54184	Wiper	1	All					
31	62361	Box - Breaker	1	All					
32	67051	Seal - Breaker box	1	F,G,H,I					
33	110623	Screw - Hex hd 8-32 x 1/2	2	All					
34	100955	Nut - Hex 8-32	1	All					
35	62261A	Housing - Pump	1	All					
36	62262	Cap - Housing	1	All					
37	62266	Plunger - Pump	1	All					
38	101056	"O" Ring	1	All					
39	66687	Spring	1	All					
40	62230	Gasket - Pump	1	All					
41	62909	Valve	1	All					
42	110291	Screw - Pan hd 10-24 x 2-5/8	1	All					
43	63072	Cover - Oil tank	1	All					
44	62116	Gasket - Cover	1	All					
45	57129A	Cap - Oil tank	1	All					
46	101148	"O" Ring	1	All					
47	62123B	Hose Assy - Oil	1	All					
48	51506	. Screen - Hose	1	All					
49	110333	Screw - Oval hd 8-32 x 1/2	3	All					
50	62274	Gasket - Pulse pump	1	All					
51	83134	Pump Assy - Pulse	1	All					
52	60260A	. Piston Assy - Pump	1	All					
53	104159	. "O" Ring	1	A,B,C,D,E					

(This list continued on page 18)

MODEL 2-10

Figure 9. Powerhead Assembly (Cont.)

Item No.	Part Number	Description	Units Per Assy	Usable on Code
	104001	. "O" Ring	1	F,G,H,I
54	60263	. Ring - Pump piston	1	All
55	60937	. Washer - Teflon	1	All
56	60259	. Spring - Piston oiler	1	All
57	62227	. Sleeve - Oiler adjustment	1	All
58	110386	. Screw - Hex hd 8-32 x 1	1	All
59	100251	. Nut - Hex 8-32	1	All
60	63858	. Cover - Outlet valve	1	All
61	106104	. "O" Ring	1	All
62	62885A	. Spring - Outlet valve	1	All
63	102809	. Ball	1	All
64	83128	. Body Assy - Pump	1	All
65	62065	Bolt - Bar mounting	2	All
66	67908	Crankcase Assy	1	A,B,C,D,E
	67250	Crankcase Assy	1	F,G,H,I
67	62105	. Screw Assy - Sealing	4	All
68	62842	. Washer - Sealing	4	All
69	110288	. Screw - Hex hd 8-32 x 3/4 (SEMS) (2 used on codes G and I)	3	A,B,C,D,E,F,H
70	100010	. Pin - Cotter	1	All
71	83166	. Valve - Compression release (not included with Crankcase Assy 67908)	1	F,G,H,I
72	110618	. Screw - Hex hd 8-32 x 1-3/8	1	A,B,C,D,E,F,H
	110491	Screw - Hex hd 8-32 x 1-5/8	2	G,I
73	61649	Pin - Piston	1	All
74	69212	Piston Assy	1	All
75	62814	. Ring Set - Piston	1	All
76	103512	. Bearing - Needle	2	All
77	65401	Connecting Rod Assy	1	All
78	61627A	. Screw - Skt hd 8-36 x 1/2	2	All
79	63225	. Roller - Needle (Set of 20)	1	All
80	65746	Oil Seal	1	All
81	63464	Ring - Snap	1	All
82	63429B	Bearing - Ball	1	All
83	65747	Oil Seal	1	All
84	104357	Bearing - Needle	1	All
85	*63336	Crankshaft	1	All

*See Service Bulletin No. 1464.

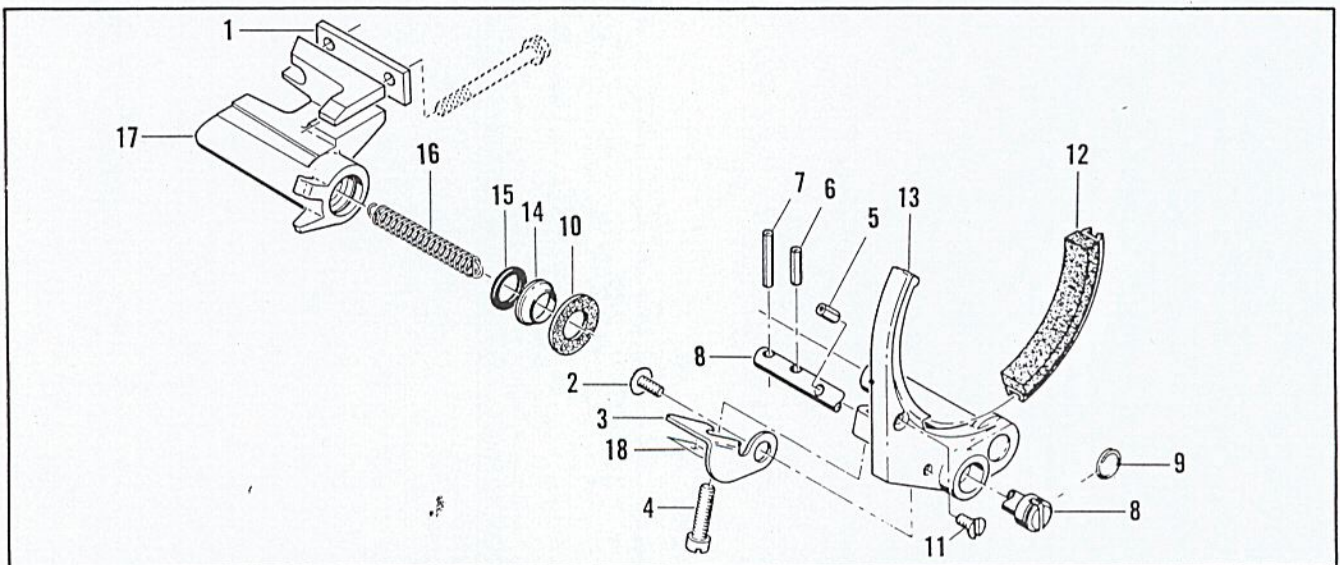


Figure 10. Power-Sharp System

Figure 10. Power-Sharp System

Item No.	Part Number	Description	Units Per Assy	Usable on Code					
MAC 2-10, 2-10A & 2-10PS Usable on Code									
Model	2-10	2-10	2-10	2-10	2-10	2-10A	2-10A	2-10PS	2-10PS
Letter	A	B	C	D	E	F	G	H	I
Serial Numbers	Up to 54001	54001 to 115001	115001 and up Without Prefix	Prefixed 1-	Prefixed 2-	Prefixed 10-	Prefixed 12-	Prefixed 10-	Prefixed 11-
1	66307	Plate - Base	1						H,I
	67928	Sharpener Assy	1						H,I
2	105027	. Screw - Tr hd 8-32 x 7/16	1						H,I
3	66075	. Bracket - Arm	1						H,I
4	110497	. Screw - Fil hd 10-32 x 3/4	1						H,I
5	105661	. Pin - Roll 1/8 x 3/8	1						H,I
6	103127	. Pin - Roll 1/8 x 1/2	1						H,I
7	105651	. Pin - Roll 1/8 x 11/16	1						H,I
8	67878	. Shaft - Locking	1						H,I
9	67879	. Ring - Retaining	1						H,I
10	67881	. Washer - Felt	1						H,I
11	110492	. Screw - Fl hd 8-32 x 5/16	1						H,I
12	67648	. Stone Assy	1						H,I
13	67882	. Arm - Sharpener	1						H,I
14	66068	. Scraper - Dirt	1						H,I
15	105607	. "O" Ring	1						H,I
16	66070	. Spring - Arm	1						H,I
17	67886	. Base	1						H,I
18	67523	. Label - Grinder adjustment	1						H,I

Accessories

Item No.	Part Number	Description	Units Per Assy	Usable on Code
	83434	Manual - Owner's		
	62827	Wrench - Screwdriver		
	63746	Scrench		
	63341A	Kit - Spike		
	65325	Baffle - Spark arrester		
	69058	Kit - Wrap-around frame		
	65712	Guide - Timing		
	63432	Spark Plug - AC CS 42T		
	65778	Spark Plug - AC CS 41T		
	69210	Piston Assy - 0.020 in. oversize		
	62813	. Ring Set - Piston 0.020 in. oversize		
	103512	. Bearing - Needle (2)		
	69211	Piston Assy - 0.030 in. oversize		
	62812	. Ring Set - Piston 0.030 in. oversize		
	103512	. Bearing - Needle (2)		