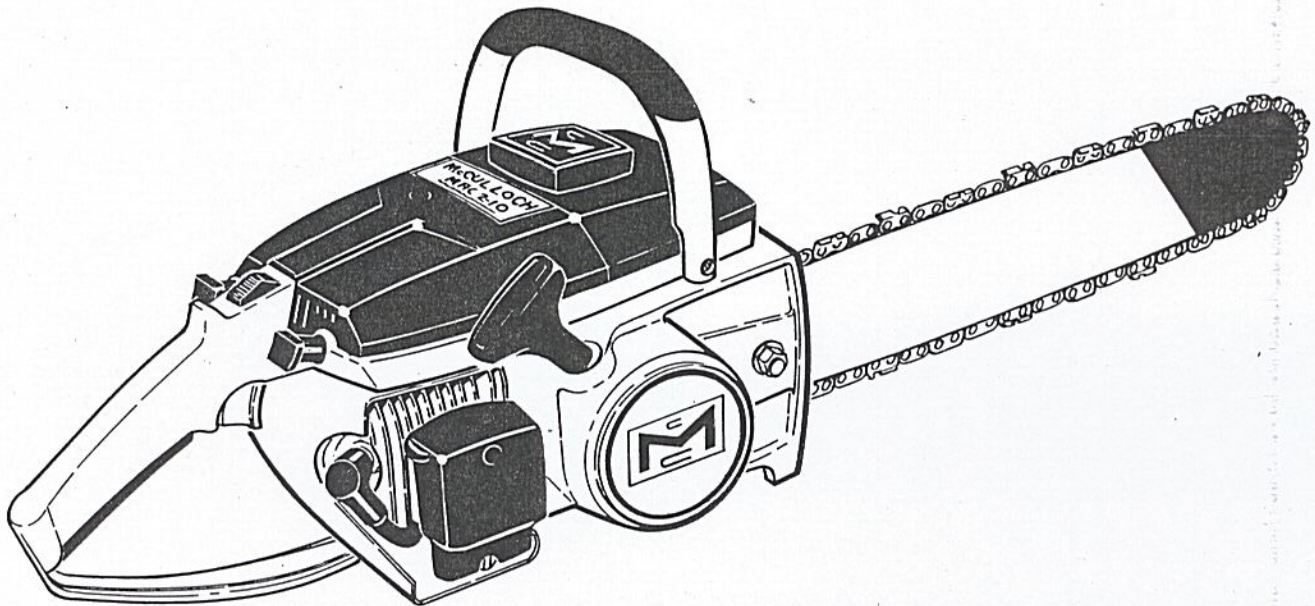


# ILLUSTRATED PARTS LIST

MARCH 1965



The following pages contain an illustrated parts list for the MAC 2-10 Chain Saw. Due to small differences between saws, it is important that the Serial Number of your saw be included whenever spare parts are ordered.

The policy of McCulloch Corporation is one of continual improvement in design, manufacturing and engineering advancement wherever possible to assure still finer two-cycle power tools. Hence, specifications, equipment, colors, design and manufacturer's suggested list prices are subject to change without notice and McCulloch Corporation reserves the right to make such changes without prior notification or obligation to backfit or supply backfit components for units previously shipped from the factory.

	Page
Figure 1. Engine Exploded View - General . . . . .	2
Figure 2. Clutch Guard and Starter Assembly . . . . .	4
Figure 3. Fuel Tank Assembly . . . . .	4
Figure 4. Carburetor Assembly . . . . .	6
Figure 5. Powerhead Assembly . . . . .	8
Figure 6. Bar and Chain Assembly . . . . .	10

## McCULLOCH CORPORATION

6101 West Century Boulevard, Los Angeles, California 90045

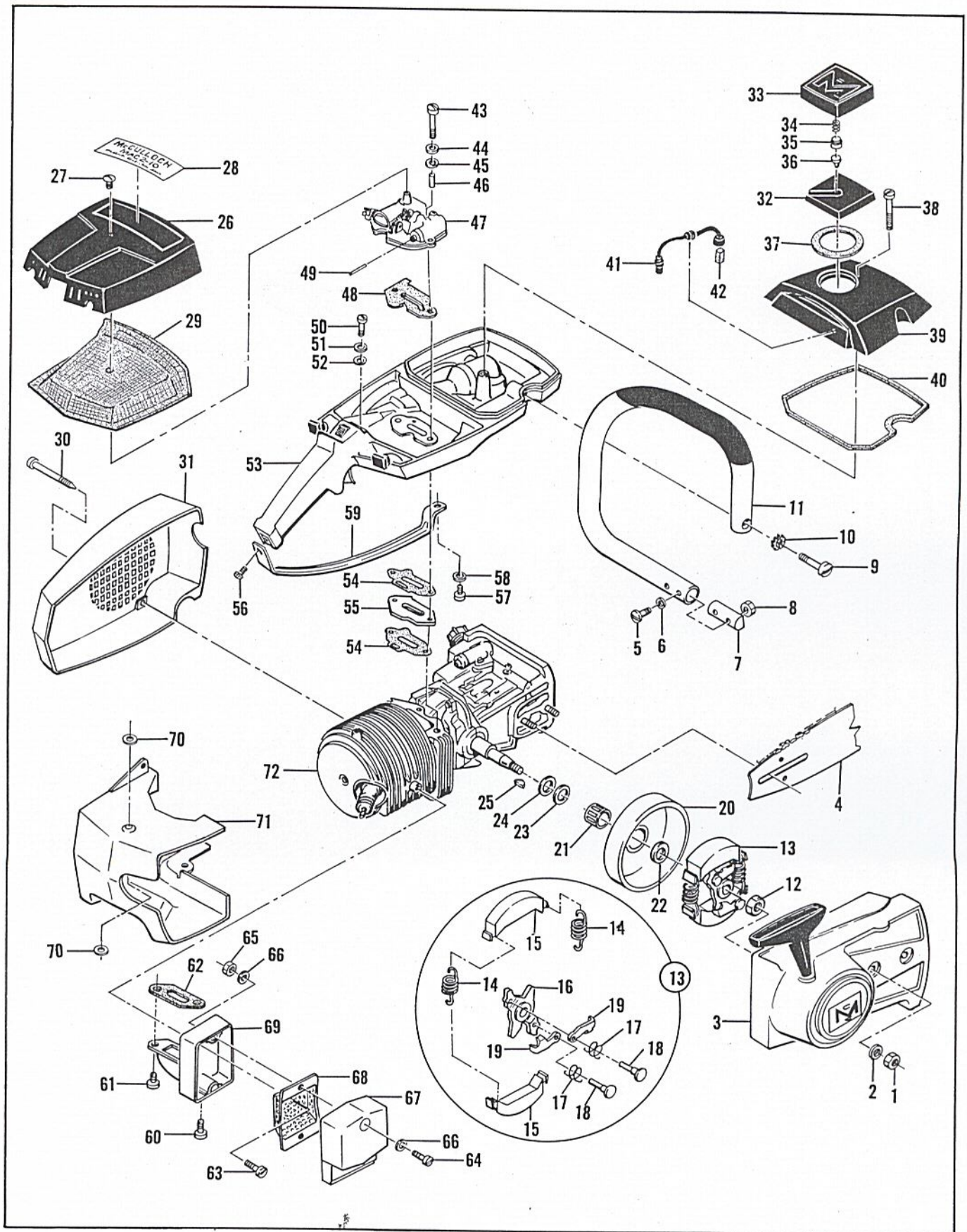


Figure 1. Engine Exploded View - General

## FIGURE 1. ENGINE EXPLODED VIEW — GENERAL

Index No.	Part Number	Nomenclature	Units Per Assy
1	101357	Nut - Hex 5/16-24 . . . . .	2
2	100440	Washer - 5/16 Plain . . . . .	2
3		Clutch Guard and Starter Assy (see Figure 2) . . . . .	1
4		Bar and Chain Assy (see Figure 6) . . . . .	1
5	102761	Screw - Hex hd 10-24 x 7/8 in. lg. . . . .	2
6	100352	Washer - #10 . . . . .	2
7	61678	Plug - Nut retainer . . . . .	1
8	101326	Nut - Hex 10-24 . . . . .	2
9	103268	Screw - Fil hd 1/4-20 x 1-1/8 in. lg. . . . .	1
10	105043	Lockwasher - 1/4 in. . . . .	1
11	63007	Frame and Grip Assy. . . . .	1
12	110350	Nut - Hex 5/16-24 . . . . .	1
13	62325A	Clutch Assy . . . . .	1
14	52847	. Spring - Clutch . . . . .	2
15	62198	. Shoe - Clutch . . . . .	2
16	62326	. Rotor Assy - Clutch. . . . .	1
17	62328	. . Spring - Pawl . . . . .	2
18	62202	. . Rivet - Pawl. . . . .	2
19	62199	. . Pawl - Starter . . . . .	2
	62572A	Kit - Sprocket, Drum and Bearing Assy. . . . .	1
20	62562A	. Sprocket and Drum Assy (7-tooth spkt) . . . . .	1
21	110330	. Bearing - Sprocket drum. . . . .	1
22	61691	. Shim - Sprocket. . . . .	AR
23	61692	. Shim - Sprocket. . . . .	AR
24	61693	. Shim - Sprocket. . . . .	AR
25	103879	Key - Woodruff . . . . .	1
26	62117	Cover Assy - Air cleaner . . . . .	1
27	62434	. Nut - Air cleaner cover . . . . .	1
28	63029	Nameplate - MAC 2-10 . . . . .	1
29	62077	Screen - Air cleaner . . . . .	1
30	62978	Screw - Special. . . . .	3
31	63073	Fan Housing . . . . .	1
32	61721B	Cap Assy - Fuel . . . . .	1
33	61720	. Cover - Fuel cap. . . . .	1
34	63040	. Spring . . . . .	1
35	62316	. Guide - Spring . . . . .	1
36	63041	. Valve . . . . .	1
37	61722B	. Gasket. . . . .	1
38	110334	Screw - Oval hd 12-24 x 1-3/4 in. lg. . . . .	1
39	63069	Cover - Fuel tank . . . . .	1
40	62102	Gasket - Fuel tank cover. . . . .	1
41	61724	Hose Assy - Fuel . . . . .	1
42	61723	. Filter - Fuel . . . . .	1
43	102433	Screw - Hex hd 10-24 x 1-5/8 in. lg. . . . .	2
44	100352	Washer - #10 Plain . . . . .	2
45	55636	Washer - Insulator . . . . .	2
46	62327	Sleeve - Insulator . . . . .	2
47	62300A	Carburetor Assy (see Figure 4) . . . . .	1
48	62080A	Gasket - Carburetor . . . . .	1
49	62066	Rod - Primer . . . . .	1
50	102760	Screw - Hex hd 10-24 x 1 in. lg. . . . .	1
51	100352	Washer - #10 Plain . . . . .	1
52	55636	Washer - Insulator . . . . .	1
53	63068	Fuel Tank Assy (see Figure 3) . . . . .	1
54	62995	Gasket - Fuel tank. . . . .	2
55	61680B	Insulator - Fuel tank . . . . .	1
56	110353	Screw - Oval hd 10-24 x 3/8 in. lg. . . . .	1
57	102289	Screw - Hex hd 10-24 x 3/4 in. lg. . . . .	1
58	100352	Washer - #10 Plain . . . . .	1
59	63020	Brace - Handle . . . . .	1

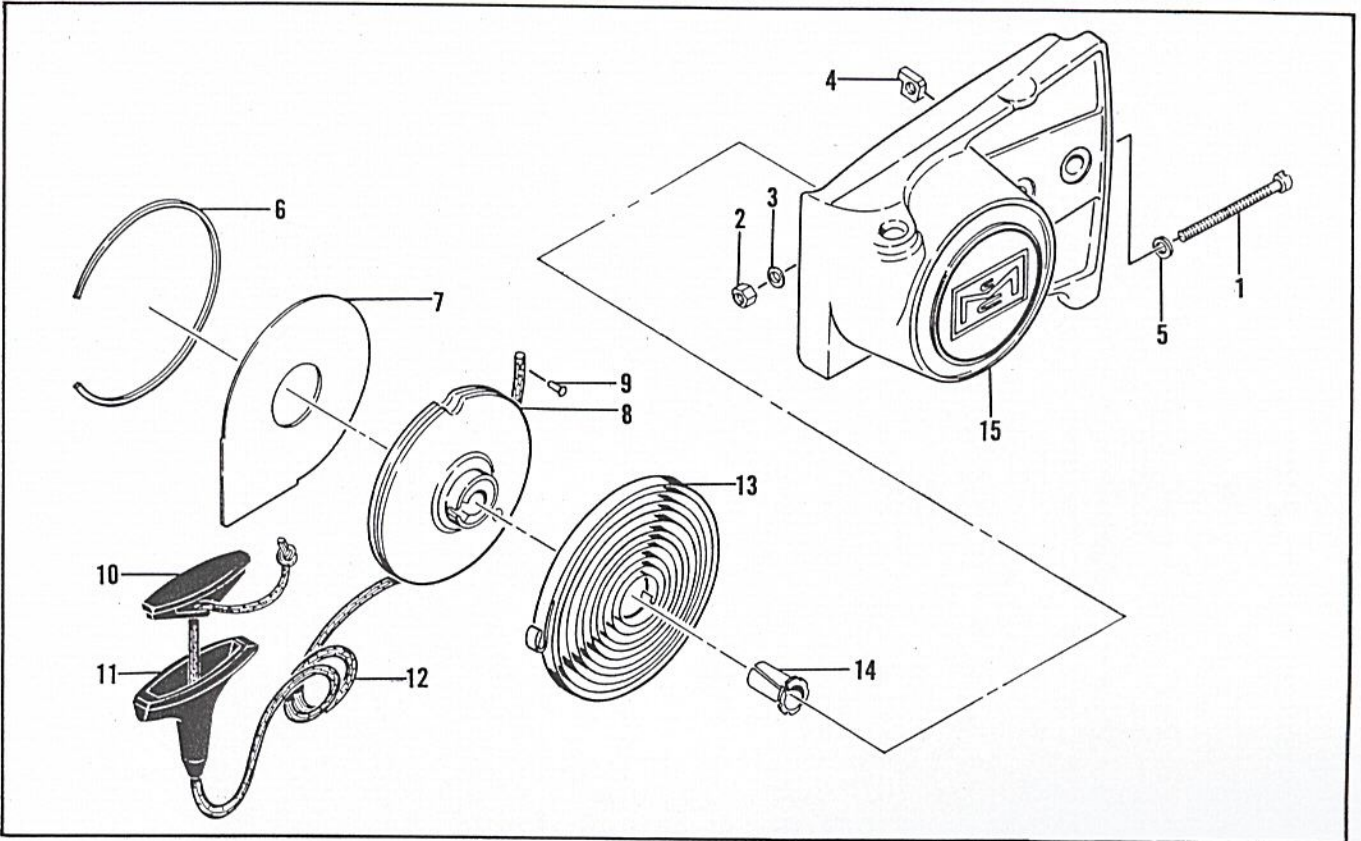


Figure 2. Clutch Guard and Starter Assembly

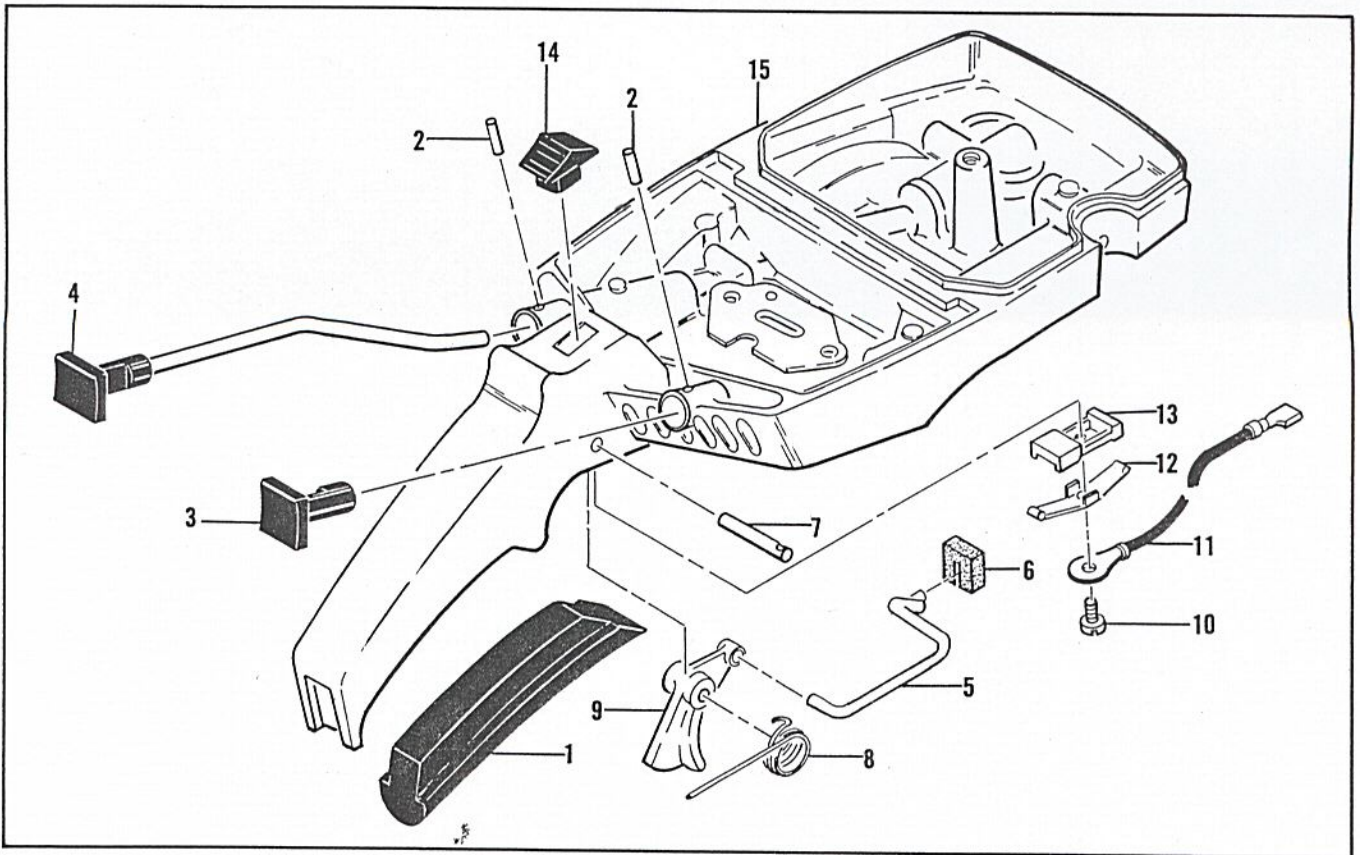


Figure 3. Fuel Tank Assembly

**FIGURE 1. ENGINE EXPLODED VIEW — GENERAL (CONT.)**

Index No.	Part Number	Nomenclature	Units Per Assy
60	102205	Screw - Fil hd 10-24 x 1-3/8 in. lg. . . . .	1
61	102141	Screw - Fil hd 10-24 x 5/8 in. lg. . . . .	1
62	62337	Gasket - Spark arrester . . . . .	1
63	110341	Screw - Hex hd 10-24 x 1/2 in. lg. . . . .	1
	62366	Spark Arrester Assy . . . . .	1
64	102145	. Screw - Fil hd 10-24 x 1-1/4 in. lg. . . . .	2
65	101191	. Nut - Hex 10-24 . . . . .	1
66	110264	. Washer - Special . . . . .	3
67	62380	. Cover Assy - Spark arrester . . . . .	1
68	62379A	. Baffle - Spark arrester . . . . .	1
69	62367A	. Body and Duct Assy - Spark arrester . . . . .	1
70	62085A	Insulator - Shroud . . . . .	2
71	63074	Shroud - Cylinder . . . . .	1
72		Powerhead Assy (see Figure 5) . . . . .	1

**FIGURE 2. CLUTCH GUARD AND STARTER ASSEMBLY**

Index No.	Part Number	Nomenclature	Units Per Assy
	63075	Clutch Guard Assy . . . . .	1
1	102144	. Screw - Bar adjusting . . . . .	1
2	102067	. Nut - Hex #10 lock . . . . .	1
3	110387	. Washer - Wave . . . . .	1
4	61705	. Nut - Bar adjusting . . . . .	1
5	101174	. Washer - #10 . . . . .	1
6	62371	. Retainer - Shield . . . . .	1
7	62370A	. Shield - Dust . . . . .	1
8	62179	. Drum - Starter . . . . .	1
9	101136	. Rivet - Starter rope . . . . .	1
10	62191	. Insert - Starter rope . . . . .	1
11	62190	. Handle - Starter . . . . .	1
12	59952A	. Rope - Starter . . . . .	1
13	59625	. Spring - Starter rewind . . . . .	1
14	61635A	. Bushing - Nyliner . . . . .	1
15	63071	. Guard - Clutch . . . . .	1

**FIGURE 3. FUEL TANK ASSEMBLY**

Index No.	Part Number	Nomenclature	Units Per Assy
	63068	Tank Assy - Fuel . . . . .	1
1	62076	. Grip - Handle . . . . .	1
2	105657	. Roll Pin - 1/8 x 9/16 in. . . . .	2
3	63045	. Button - Primer . . . . .	1
4	63052	. Button and Rod Assy - Oiler . . . . .	1
5	62970	. Rod - Throttle . . . . .	1
6	61696	. Seal - Throttle rod . . . . .	1
7	110378	. Roll Pin - 3/16 x 15/16 in. . . . .	1
8	59598	. Spring - Throttle return . . . . .	1
9	62949	. Trigger - Throttle . . . . .	1
10	104583	. Screw - Bind hd 8-32 x 5/16 in. lg. . . . .	1
11	62973	. Wire Assy - Stop switch . . . . .	1
12	62451	. Contact - Ignition switch . . . . .	1
13	62950	. Base - Ignition switch . . . . .	1
14	62951	. Button <sup>†</sup> - Ignition switch . . . . .	1
15		. Tank - Fuel . . . . . (Order Fuel Tank Assy # 63068)	1

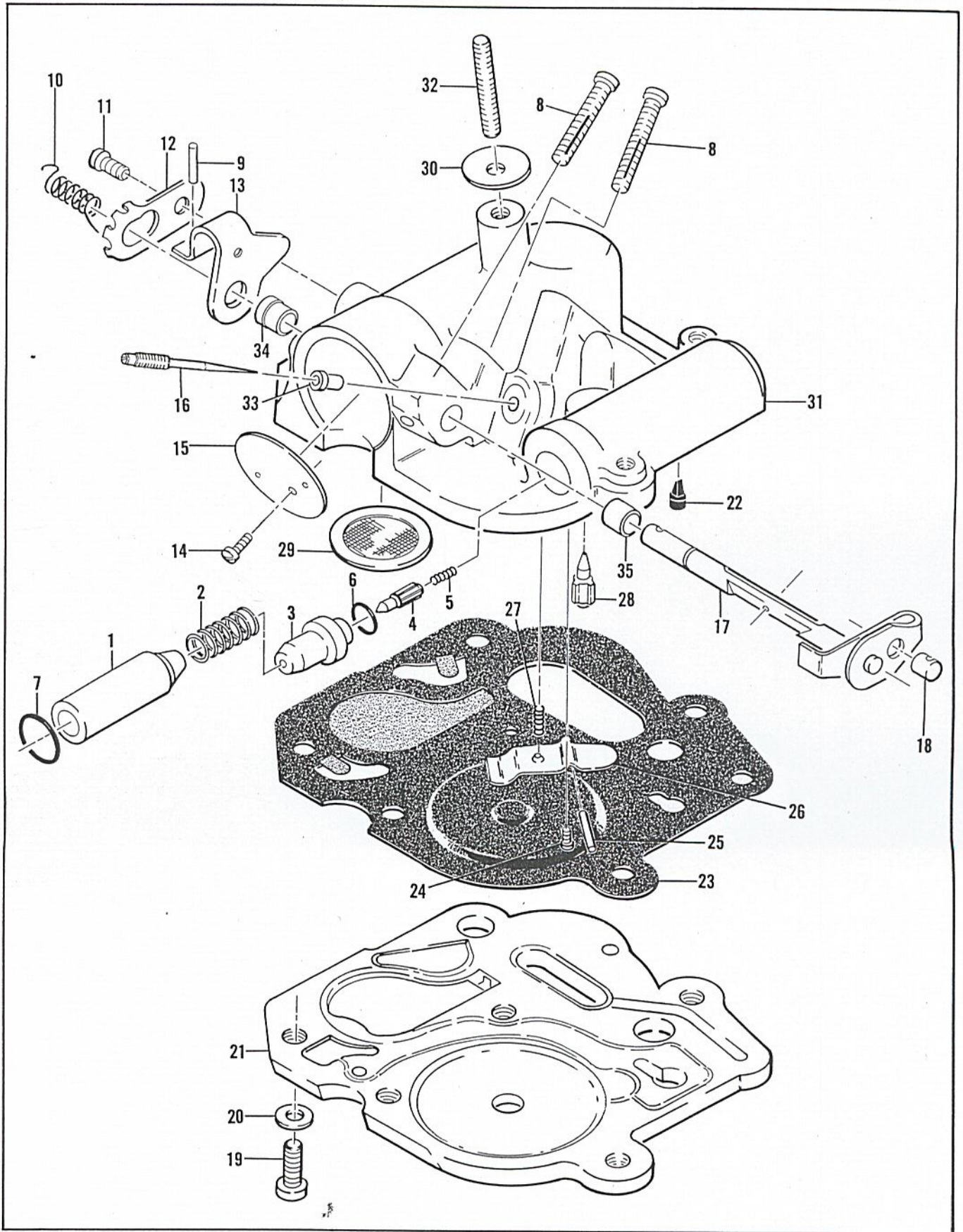


Figure 4. Carburetor Assembly

## FIGURE 4. CARBURETOR ASSEMBLY

Index No.	Part Number	Nomenclature	Units Per Assy
	62300B	Carburetor Assy . . . . .	1
1	62308A	. Plunger - Primer . . . . .	1
2	11086	. Spring - Plunger . . . . .	1
3	63037	. Seat - Primer valve . . . . .	1
4	63038	. Valve - Primer needle . . . . .	1
5	63039	. Spring - Needle valve . . . . .	1
6	101056	. "O" Ring . . . . .	1
7	110351	. "O" Ring . . . . .	1
8	62971	. Screw - Long locking adjustment . . . . .	2
9	104443	. Roll Pin - .062 x 3/8 in. . . . .	1
10	62939	. Spring - Idle governor . . . . .	1
11	101207	. Screw - Rd hd 6-32 x 1/4 in. lg. . . . .	1
12	62938	. Clip - Throttle shaft. . . . .	1
13	62343A	. Lever - Throttle . . . . .	1
14	104814	. Screw - Pan hd 4-20 x 1/4 in. lg. (SEMS) . . . . .	1
15	62290	. Plate - Throttle. . . . .	1
16	62976	. Needle - Metering . . . . .	1
17	62291A	. Shaft Assy - Throttle . . . . .	1
18	62975	. Swivel - Needle . . . . .	1
19	110352	. Screw - Pan hd 8-32 x 7/16 in. lg. . . . .	5
20	104553	. Lockwasher - #8 . . . . .	5
21	63042	. Plate - Carburetor base . . . . .	1
22	63041	. Valve - Primer . . . . .	1
23	63013	. Diaphragm Assy - Pump . . . . .	1
24	104728	. Screw - 6-32 x 1/4 in. lg. . . . .	1
25	110337	. Pin - Inlet lever . . . . .	1
26	62310	. Lever - Inlet . . . . .	1
27	62923A	. Spring - Inlet lever . . . . .	1
28	63038	. Valve - Inlet needle . . . . .	1
29	55690B	. Seal - Capillary. . . . .	1
30	62435	. Seal - Air cleaner stud . . . . .	1
31	63019	. Body Assy - Carburetor . . . . .	1
32	62433A	. Stud - Carburetor . . . . .	1
33	62295D	. Orifice - Air . . . . .	1
34	62288A	. Bushing - Throttle shaft . . . . .	1
35	62368	. Bushing - Throttle shaft . . . . .	1

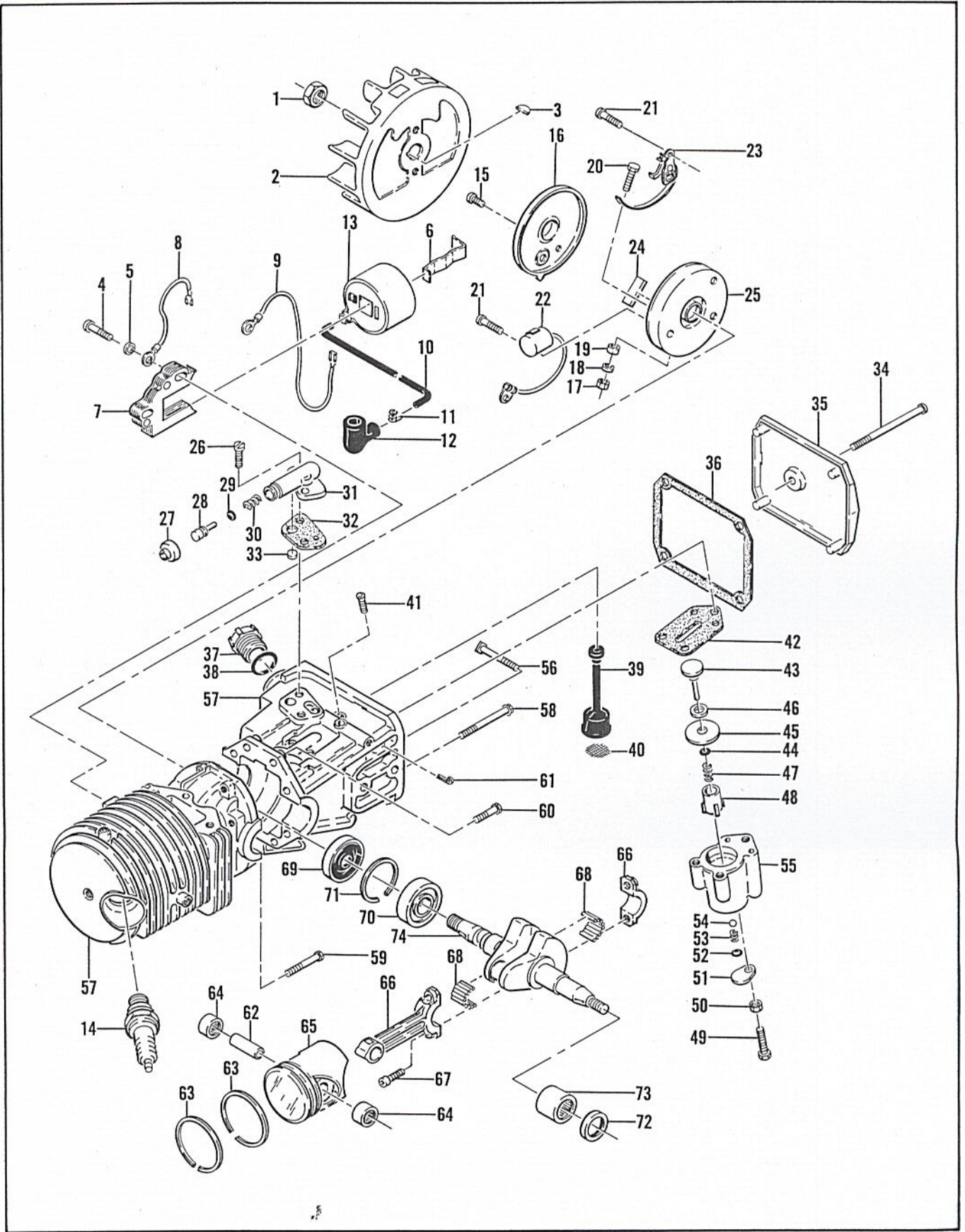


Figure 5. Powerhead Assembly



# FIGURE 5. POWERHEAD ASSEMBLY

MAC 2-10

Index No.	Part Number	Nomenclature	Units Per Assy
1	101391	Nut - Hex 3/8-24 . . . . .	1
2	61737	Flywheel Assy . . . . .	1
3	103879	Key - Flywheel . . . . .	1
4	101965	Screw - Fil hd 10-24 x 7/8 in. lg. (SEMS) . . . . .	2
5	100002	Washer - #10 Plain . . . . .	2
6	51253	Retainer - Coil . . . . .	1
7	62741	Lamination Assy . . . . .	1
8	62819	Wire Assy - Ground . . . . .	1
9	62818	Wire Assy - Primary . . . . .	1
	62927	Coil and Terminal Assy . . . . .	1
10	62929A	. Wire Assy - Spark plug . . . . .	1
11	62932	. . Connector . . . . .	1
12	62926	. . Boot . . . . .	1
13		. Coil Assy . . . . . (Order Coil & Terminal Assy, #62927)	1
14		Spark plug . . . . .	1
15	110349	Screw - Rd hd 8-32 x 3/4 in. lg. . . . .	1
16	62362	Cover - Breaker box . . . . .	1
17	100298	Nut - Hex 6-32 . . . . .	1
18	103556	Lockwasher - #6 . . . . .	1
19	62365	Spacer - Breaker screw . . . . .	1
20	110346	Screw - Hex hd 6-32 x 3/4 in. lg. . . . .	1
21	100934	Screw - Rd hd 8-32 x 3/8 in. lg. . . . .	3
22	61650	Condenser . . . . .	1
23	62363	Breaker Assy . . . . .	1
24	54184	Wiper - Cam . . . . .	1
25	62361	Box - Breaker . . . . .	1
26	100414	Screw - 8-32 x 1/2 in. lg. . . . .	2
	62319	Pump Assy - Oil . . . . .	1
27	62262	. Cap - Oil pump . . . . .	1
28	62266	. Plunger - Oil pump . . . . .	1
29	101056	. "O" Ring . . . . .	1
30	59934	. Spring - Oil pump . . . . .	1
31		. Housing - Oil pump . . . . . (Order Pump Assy #62319)	1
32	62230	Gasket - Oil pump . . . . .	1
33	62909	Valve - Oil pump . . . . .	1
34	110291	Screw - Pan hd 10-24 x 2-3/4 in. lg. . . . .	1
35	63072	Cover - Oil tank . . . . .	1
36	62116	Gasket - Oil tank cover . . . . .	1
37	57129A	Cap - Oil . . . . .	1
38	101148	"O" Ring . . . . .	1
39	62123	Hose Assy - Oil . . . . .	1
40	51506	. Screen - Oil hose . . . . .	1
41	110333	Screw - Oval hd 8-32 x 1/2 in. lg. . . . .	3
42	62274	Gasket - Pulse pump . . . . .	1
	62320	Pulse Pump Assy . . . . .	1
43	60260A	. Piston Assy - Pulse oiler . . . . .	1
44	101758	. "O" Ring . . . . .	1
45	60263	. Ring - Piston oiler . . . . .	1
46	60937	. Washer - Teflon . . . . .	1
47	60259	. Spring - Piston oiler . . . . .	1
48	62227	. Sleeve - Oiler adjustment . . . . .	1
49	110386	. Screw - Hex hd 8-32 x 1 in. lg. . . . .	1
50	100251	. Nut - Hex 8-32 . . . . .	1
51	62407	. Cover - Outlet valve . . . . .	1
52	103195	. "O" Ring . . . . .	1
53	62885A	. Spring - Outlet valve . . . . .	1
54	102809	. Ball - 3/32 in. dia. . . . .	1
55	62321	. Body Assy - Pulse pump . . . . .	1
56	62065	Bolt - Bar mounting . . . . .	2
57	62924	Cylinder - Crankcase Assy . . . . .	1
58	62105	. Screw Assy - Sealing . . . . .	4

#62828  
3-65®

This list is continued on page 11

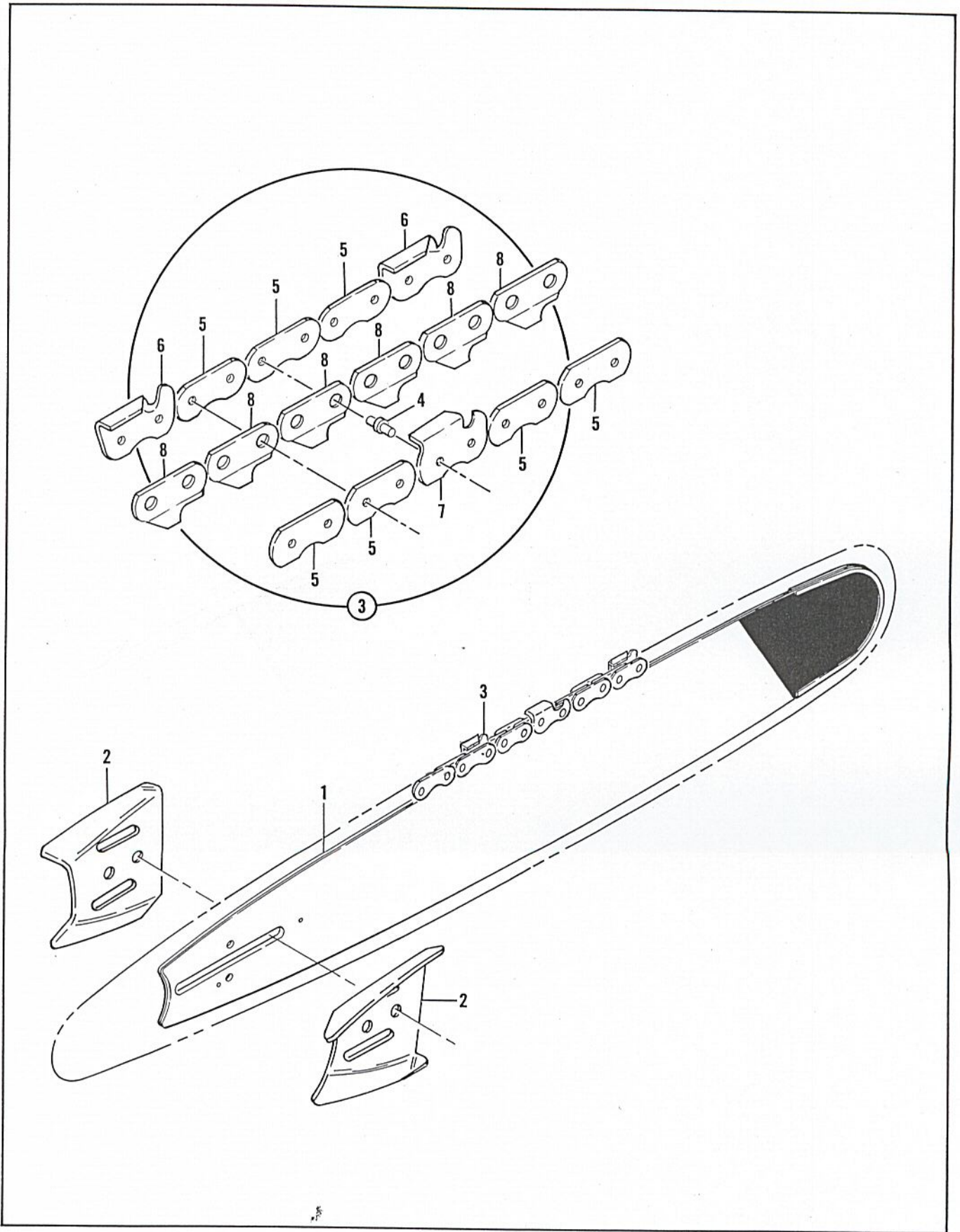


Figure 6. Bar and Chain Assembly

## FIGURE 5. POWERHEAD ASSEMBLY (CONT.)

MAC 2-10

Index No.	Part Number	Nomenclature	Units Per Assy
59	110289	. Screw Assy - 8-32 x 1-1/8 in. lg. ....	1
60	110288	. Screw Assy - 8-32 x 3/4 in. lg. ....	3
61	101495	. Cotter Pin - 3/32 x 1/2 in. lg. ....	1
62	61649	Pin - Piston .....	1
	62824	Piston Assy .....	1
63	62814	. Ring Set - Piston .....	1
64	103512	. Bearing - Needle .....	2
65		. Piston .....	1
66	62830	Connecting Rod Assy .....	1
67	61627	. Screw - Socket hd 8-32 x 1/2 in. lg. ....	2
68	59378	. Roller - Needle .....	20
69	61618	Oil Seal .....	1
70	110348	Bearing - Ball .....	1
71	110276	Retainer - Bearing .....	1
72	110260	Oil Seal .....	1
73	104357	Bearing - Needle .....	1
74	61616	Crankshaft .....	1

## FIGURE 6. BAR AND CHAIN ASSEMBLIES

Index No.	Part Number	Nomenclature	Units Per Assy
1	62512	Laminated Bar 16 in.	
	62532	Laminated Bar 12 in. (Alternate)	
2	62672	Bar Protector Plate (Set of 2) (Accessory Item)	
3	62556	Chain Assy - Continuous (16 in. bar)	
	62555	Chain Assy - Continuous (12 in. bar) (Alternate)	
4		. Rivet	
5		. Side Link	
6		. Cutter - L.H.	
7		. Cutter - R.H.	
8		. Center link	

## TOOLS AND ACCESSORIES

Part Number	Nomenclature
62829	Owner's Manual
62827	Wrench - Screwdriver combination
62825	Piston Assy - 0.020 in. oversize
62813	. Ring Set - Piston 0.020 in. oversize
103512	. Bearing - Needle (2)
62826	Piston Assy - 0.030 in. oversize
62812	. Ring Set - Piston 0.030 in. oversize
103512	. Bearing - Needle (2)