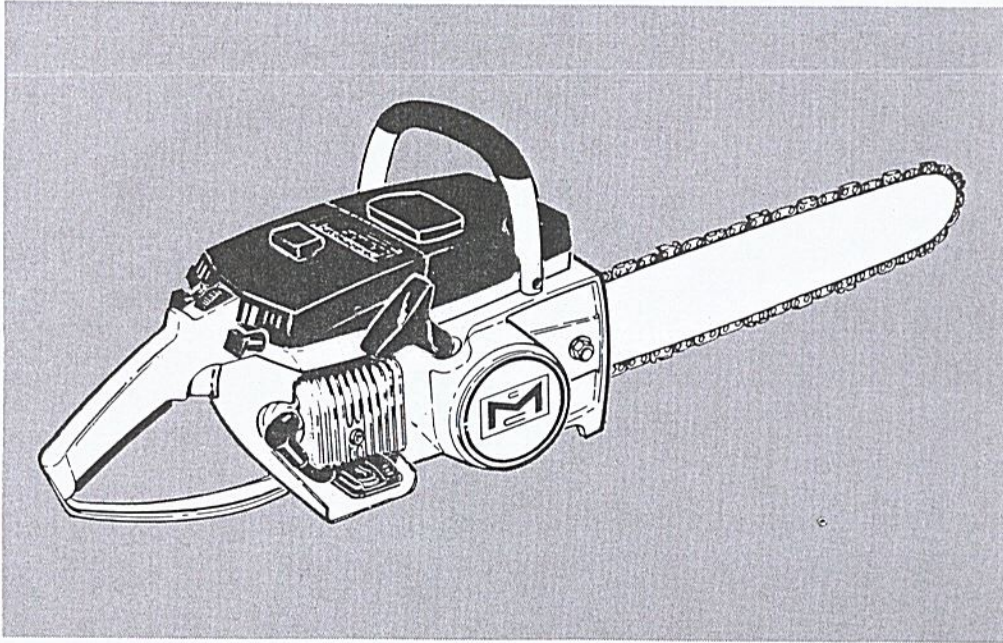


# SUPER 10-10 AUTOMATIC Chain Saw

Model No. 600007

Serial Numbers Prefixed 12-, A10- & B11-

## ILLUSTRATED PARTS LIST



**JULY 1969**

The policy of McCulloch Corporation is one of continual improvement in design, manufacturing and engineering advancement wherever possible to assure still finer two-cycle power tools. Hence, specifications, equipment, colors, design and manufacturer's suggested list prices are subject to change without notice and McCulloch Corporation reserves the right to make such changes without prior notification or obligation to backfit or supply backfit components for units previously shipped from the factory.

	Page
Figure 1. General	2
Figure 2. Clutch Guard & Starter Assembly	4
Figure 3. Fuel Tank Assembly	4
Figure 4. Carburetor Assembly	6
Figure 5. Powerhead Assembly	8
Figure 6. Bar and Chain Assembly	10



# McCULLOCH

COPYRIGHT 1969 U.S.A. --  
McCULLOCH CORPORATION

#69900

# SUPER 10-10 AUTOMATIC

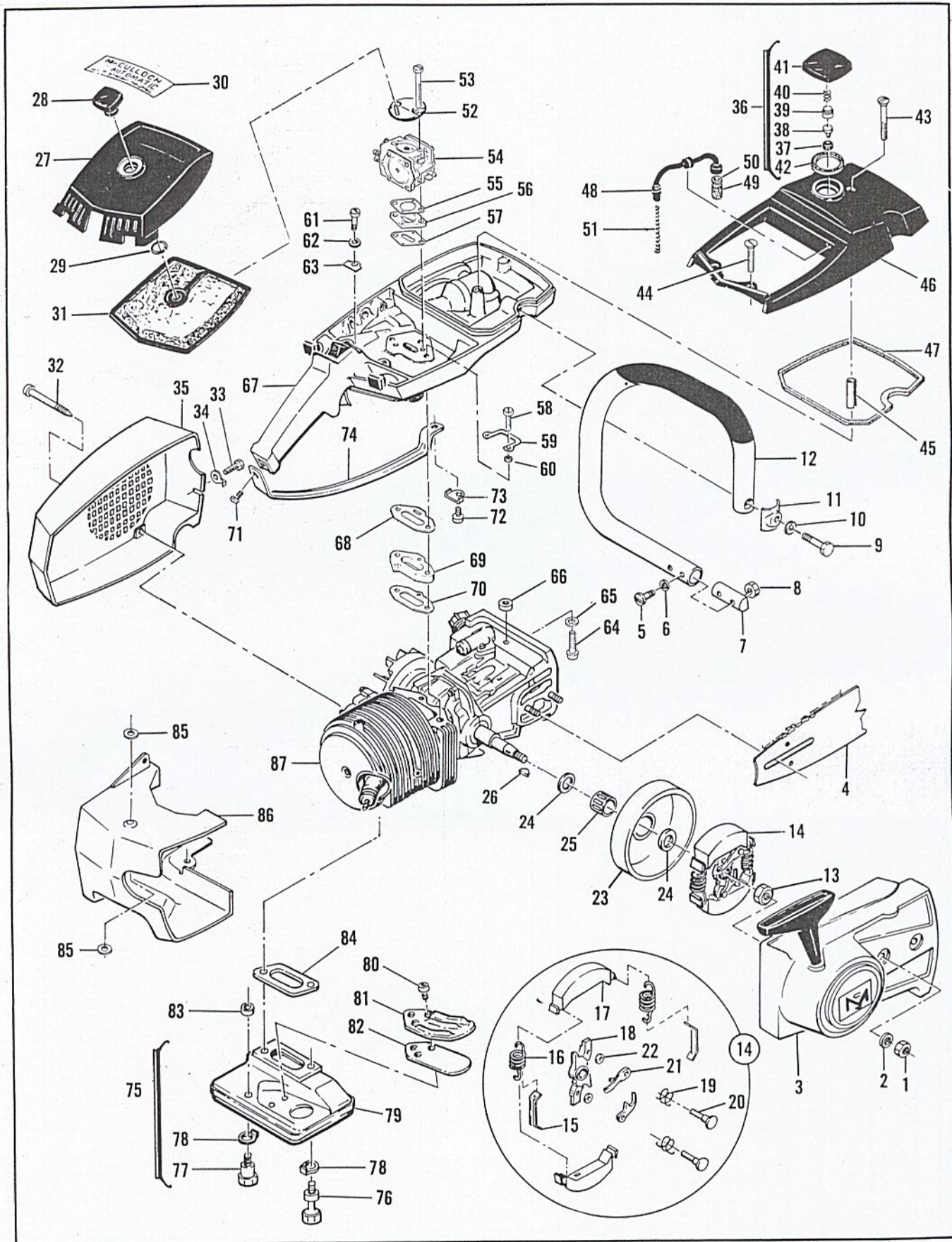


Figure 1. General

FIGURE 1. GENERAL

Item No.	Part Number	Description	Units Per Assy
1	110454	Nut - Hex 5/16-24	2
2	100440	Washer - 5/16	2
3		Clutch Guard & Starter Assy (See Figure 2)	
4		Bar & Chain (See Figure 6)	
5	102761	Screw - Hex hd 10-24 x 7/8	2
6	100352	Washer - #10	2
7	61678	Plug - Nut retainer	1
8	101326	Nut - Hex 10-24	2
9	102130	Screw - Hex hd 1/4-20 x 1-1/2	1
10	100153	Lockwasher - 1/4	1
11	63484	Clamp - Frame	1
12	69054	Frame & Grip Assy	1
13	110594	Nut - Hex 3/8-24	1
14	83224	Clutch Assy	1
15	64583	. Retainer	2
16	83223	. Spring - Clutch	2
17	67233	. Shoe - Clutch	2
18	67149	. Rotor Assy	1
19	68837	. . Spring - Pawl	2
20	67112	. . Rivet	2
21	64857	. . Pawl - Clutch	2
22	65473	. . Washer - Special	2
23	65370	Kit - Sprocket & Drum Assy	1
24	61692	. Shim	2
25	110330	Bearing	1
26	103879	Key - Woodruff	1
27	68530	Cover Assy - Air cleaner	1
28	68529	. Knob - Cover	1
29	110565	. Ring - Retaining	1
30	* 69897	Nameplate	1
	+ 69902	Nameplate	1
31	69922	Filter - Air	1
32	62978	Screw - Special	3
33	102762	Screw - Hex hd 10-24 x 1/2	1
34	69890	Lockplate	1
35	68544	Housing - Fan	1
36	68531	Cap Assy - Fuel	1
37	68533	. Plug	1
38	63041	. Valve	1
39	62316	. Guide	1
40	63040	. Spring	1
41	68532	. Body	1
42	69767	. Gasket	1
43	110402	Screw - Oval hd 12-24 x 2-3/8	1
44	103579	Screw - Fl hd 10-24 x 1	2

Item No.	Part Number	Description	Units Per Assy
45	69686	Spacer - Fuel tank cover	1
46	69679	Cover - Fuel tank	1
47	69345	Gasket - Cover	1
48	64848	Hose Assy - Fuel	1
49	63932	. Filter - Fuel	1
50	100440	. Washer - 5/16	1
51	67944	Spring - Hose stiffener	1
52	83204	Kit - Bracket Assy	1
53	103357	. Screw - Hex hd 10-24 x 2-1/4	2
54		Carburetor Assy (See Figure 4)	
55	68132	Gasket - Carburetor	1
56	66678	Spacer - Carburetor	1
57	68131	Gasket - Spacer	1
58	110570	Screw - Hex hd 12-24 x 1-3/8	2
59	68582	Lockplate	1
60	102115	Washer - #12	2
61	110568	Screw - Hex hd 12-24 x 1-1/8	1
62	64856	Washer - Special	1
63	69516	Lockplate	1
64	102660	Screw - Skt. hd 10-24 x 7/8	1
65	100003	Washer - #10	1
66	69772	Spacer - Fuel tank	1
67		Fuel Tank Assy (See Figure 3)	
68	68580	Gasket - Fuel tank	1
69	68614	Insulator - Fuel tank	1
70	68580	Gasket - Insulator	1
71	106078	Screw - Hex hd 10-24 x 7/16	1
72	110566	Screw - Hex hd 12-24 x 5/8	1
73	68508	Lockplate	1
74	68845	Brace - Handle	1
75	68863	Kit - Muffler	1
76	67838	. Screw - Muffler long	2
77	67837	. Screw - Muffler short	1
78	67836	. Lockplate	3
79	68838	. Muffler Assy	1
80	110563	. . Screw - Skt hd 8-32 x 1/4	2
81	83069	. . Stop - Reed	1
82	64785	. . Reed	1
83	63993	Gasket - Muffler screw	1
84	68149	Gasket - Muffler	1
85	68581	Insulator - Shroud	2
86	67910	Shroud	1
87		Powerhead Assy (See Figure 5)	

\* Serial numbers prefixed 12- & A10-  
+ Serial numbers prefixed B11-

SUPER 10-10  
AUTOMATIC

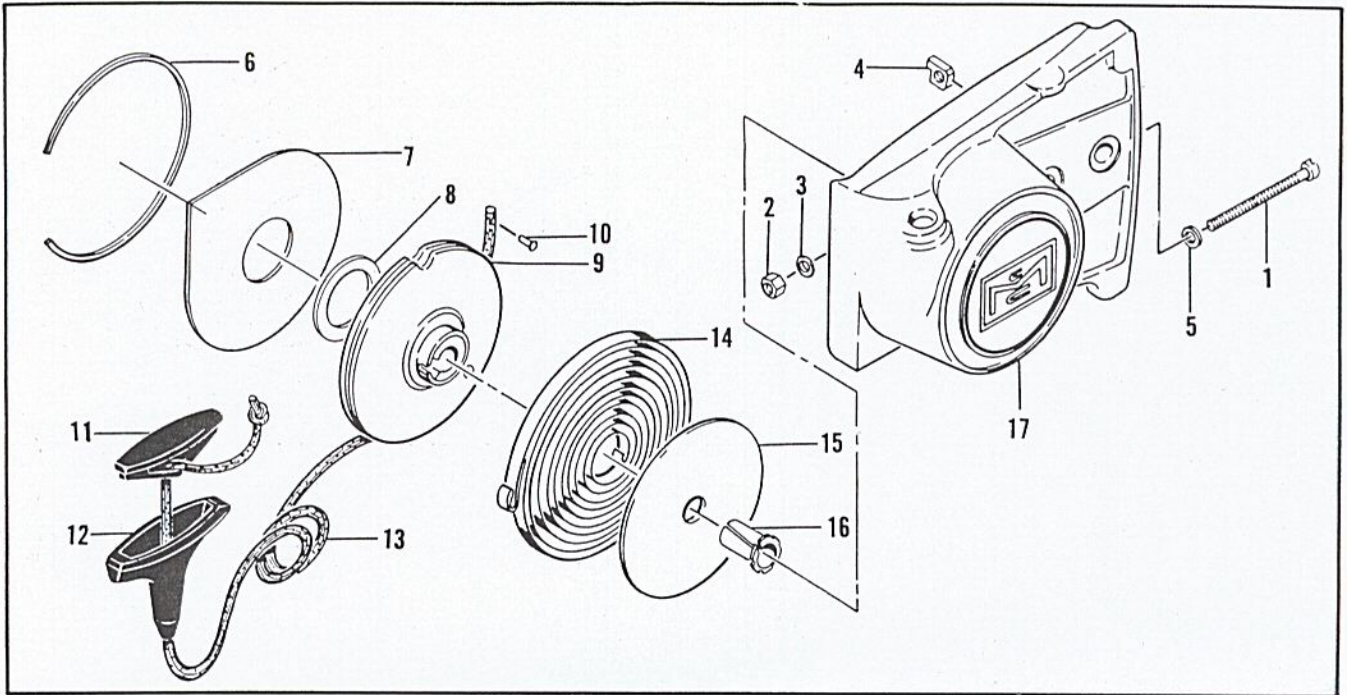


Figure 2. Clutch Guard and Starter Assembly

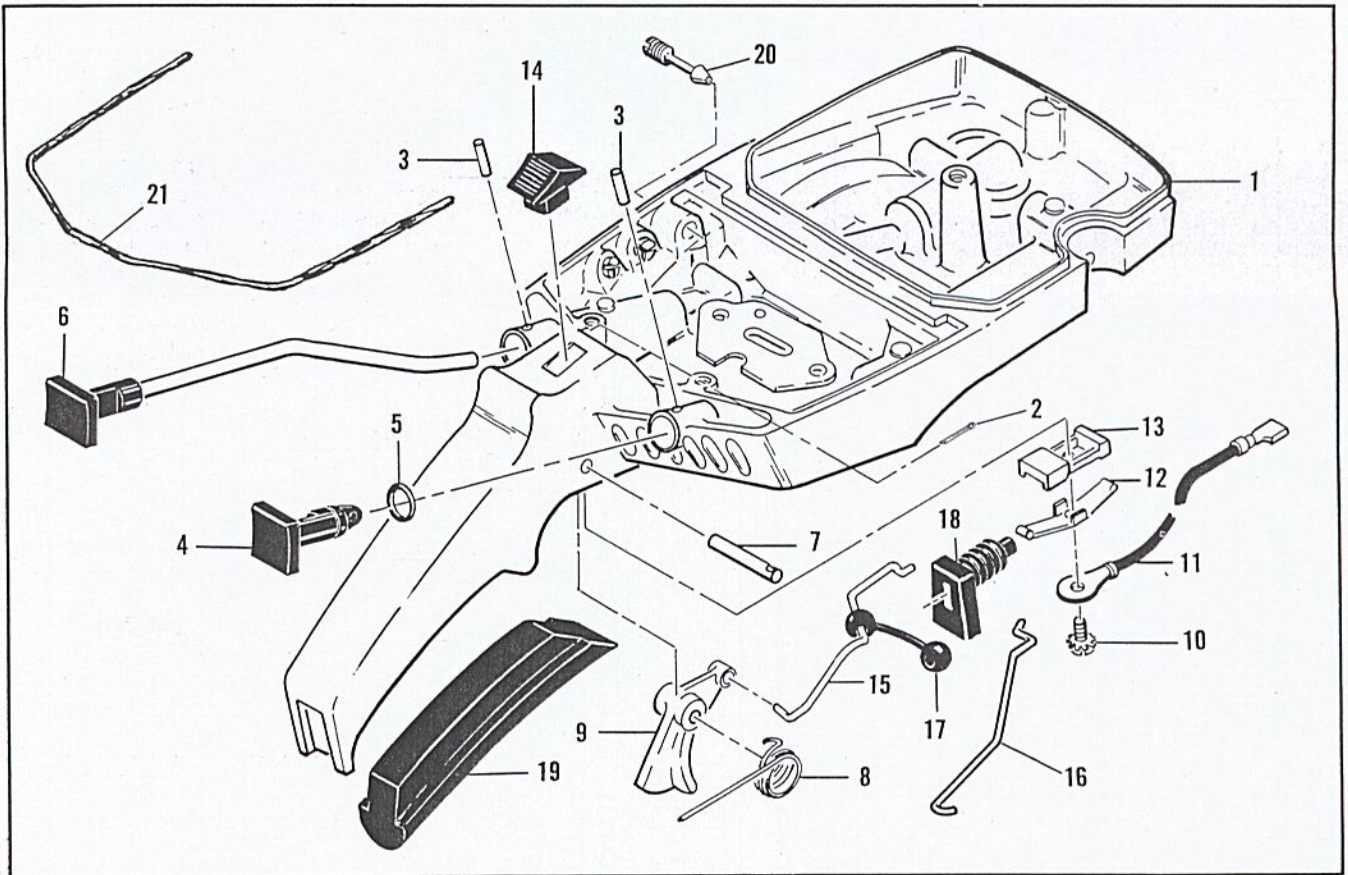


Figure 3. Fuel Tank Assembly

**FIGURE 2. CLUTCH GUARD AND STARTER ASSEMBLIES**

Item No.	Part Number	Description	Units Per Assy
	67206	Clutch Guard Assy	1
1	102144	. Screw - Bar adjusting	1
2	102067	. Nut - Hex 10-24	1
3	110387	. Washer - Wave	1
4	61705	. Nut - Bar adjusting	1
5	110264	. Washer - #10	1
6	67205	. Retainer - Shield	1
7	63985	. Shield - Dust	1
8	63986	. Washer - Thrust	1

Item No.	Part Number	Description	Units Per Assy
9	68695	. Drum - Starter	1
10	110470	. Rivet - Starter rope	1
11	62191A	. Insert - Handle	1
12	62190A	. Handle - Starter	1
13	69964	. Rope - Starter	1
14	68626	. Spring - Rewind	1
15	63987	. Shield - Spring	1
16	61635A	. Bushing - Nyliner	1
17	67207	. Guard - Clutch	1

**FIGURE 3. FUEL TANK ASSEMBLY**

Item No.	Part Number	Description	Units Per Assy
1	68683	Fuel Tank Assy	1
2	100010	. Cotter Pin	1
3	105673	Pin - Roll 3/32 x 9/16	2
4	69041	Button - Choke	1
5	101056	"O" Ring	1
6	64871	Button & Rod Assy	1
7	110378	Pin - Roll 3/16 x 15/16	1
8	65734	Spring - Throttle return	1
9	67224	Trigger	1
10	103672	Screw - Fil hd 8-32 x 1/2 (SEMS)	1

Item No.	Part Number	Description	Units Per Assy
11	62973A	Wire Assy - Stop switch	1
12	62451	Contact - Switch	1
13	62950A	Base - Switch	1
14	62951	Button - Switch	1
15	68170	Rod - Throttle	1
16	69042	Rod - Choke	1
17	69043	Snubber - Control rod	1
18	68522	Seal - Throttle rod	1
19	64872	Grip - Handle	1
20	67271	Screw - Idle speed	1
21	*69564	Seal - Airbox	AR

\* Furnished on a 12-1/2 inch strip containing 9 beads of sealant (enough for 9 replacements).

SUPER 10-10  
AUTOMATIC

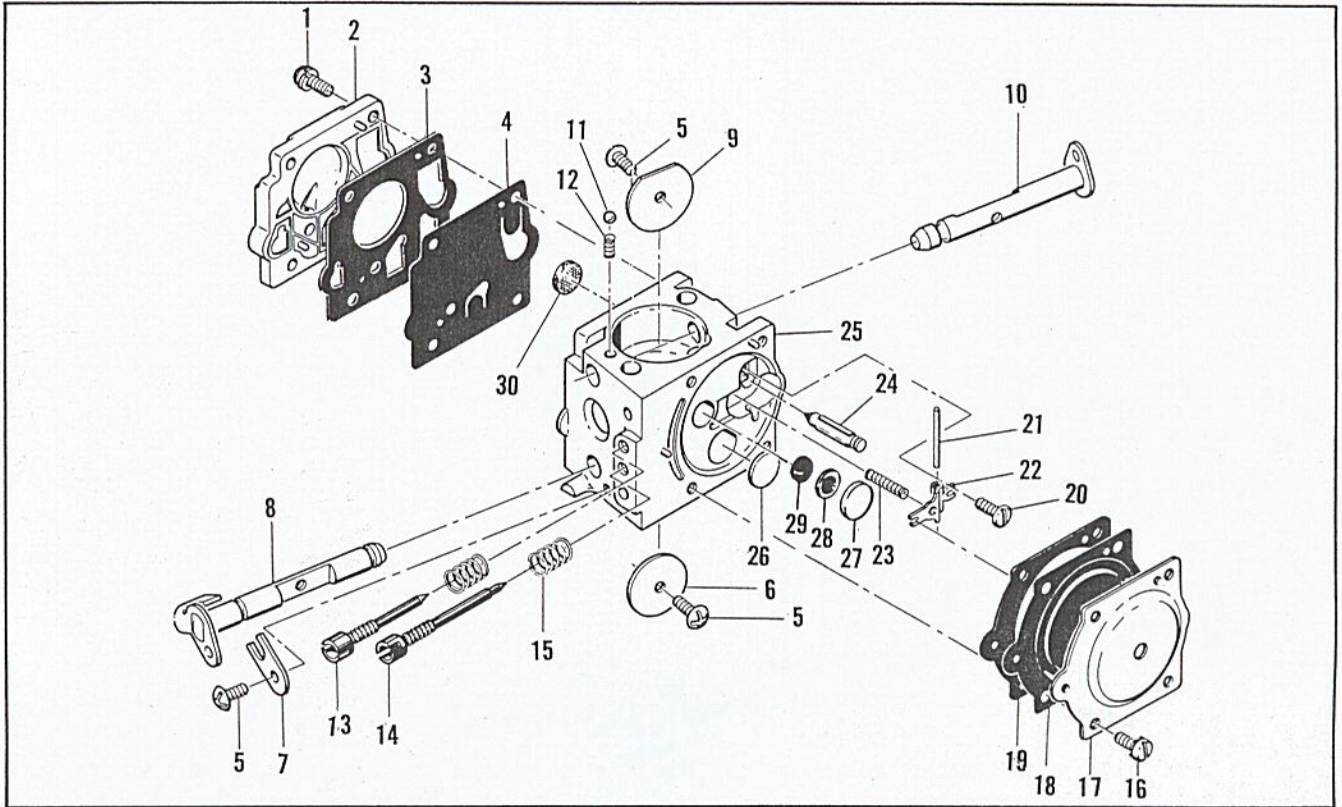


Figure 4A. Carburetor Assembly.

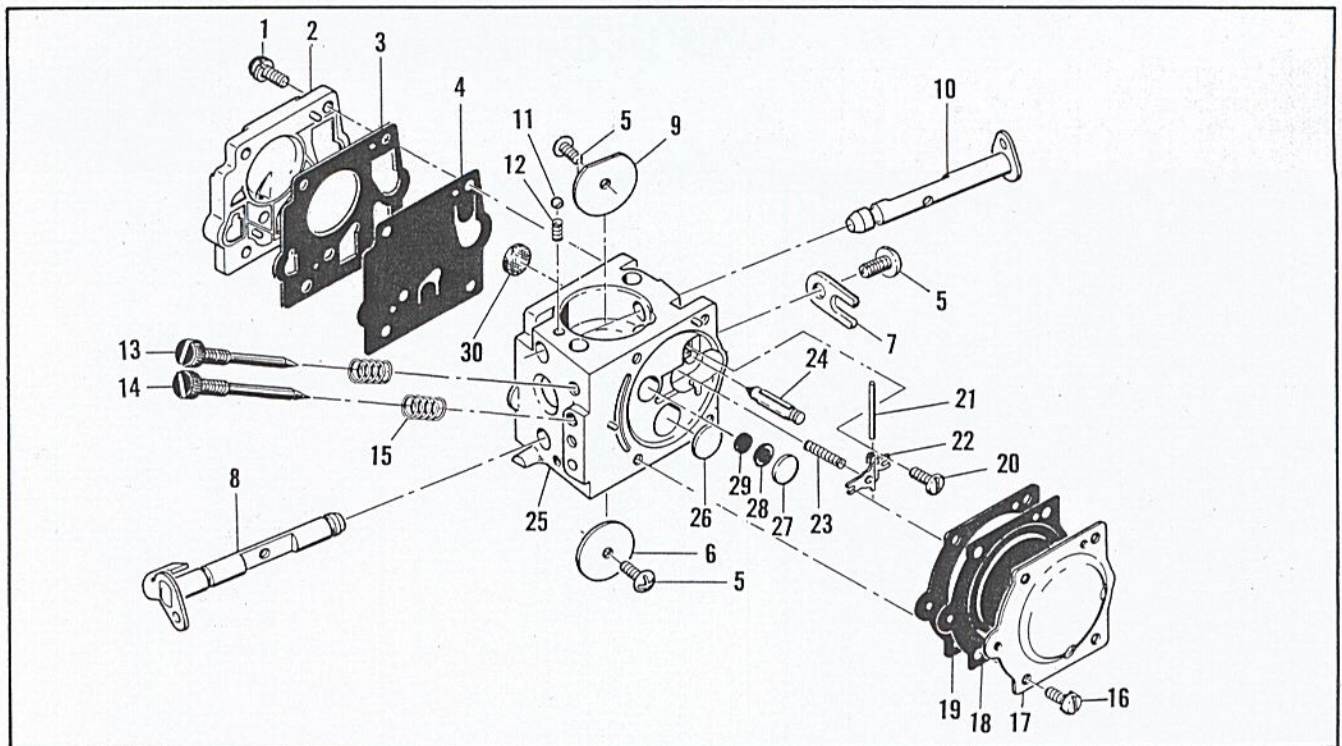


Figure 4B. Carburetor Assembly.

### FIGURE 4A. CARBURETOR ASSEMBLY

Engine Serial Numbers 10001 to 13785

Item No.	Part Number	Description	Units Per Assy
	67379	Carburetor Assy	1
1	67501	. Screw - Pump cover	4
2	83760	. Cover Pump	1
3	*67495	. Gasket - Cover	1
4	*83114	. Diaphragm - Fuel pump	1
5	*47690	. Screw - Plate	3
6	67487	. Plate - Throttle	1
7	67489	. Clip - Shaft	1
8	67486	. Shaft Assy - Throttle	1
9	67490	. Plate - Choke	1
10	67488	. Shaft Assy - Choke	1
11	*100302	. Ball-Choke friction	1
12	*67504	. Spring - Choke	1
13	*67506	. Needle - High speed	1
14	*67505	. Needle - Idle	1
15	*67502	. Spring - Needle	2
16	70798	. Screw - Diaphragm cover	4
17	83761	. Cover - Diaphragm	1

Item No.	Part Number	Description	Units Per Assy
18	*67499	. Diaphragm - Metering	1
19	*67496	. Gasket - Diaphragm	1
20	*67500	. Screw - Lever pin	1
21	*67508	. Pin-Lever	1
22	*67509	. Lever - Metering	1
23	*67503	. Spring - Lever	1
24	*67491	. Valve - Needle	1
25	67483	. Body Assy - Carburetor	1
26	*71690	. . Plug - 3/8	1
27	*69506	. . Plug - 5/16	1
28	69203	. . Seat Assy	1
29	69204	. . Valve	1
30	*67507	. . Screen - Fuel	1
	*67482	Gasket Set	
	67481	Repair Kit	

\* Indicates parts included in Repair Kit, P/N 67481

### FIGURE 4B. CARBURETOR ASSEMBLY

Engine Serial Numbers 13785 and Up

Item No.	Part Number	Description	Units Per Assy
	83249	Carburetor Assy	1
1	67501	. Screw - Pump cover	4
2	83760	. Cover - Pump	1
3	*67495	. Gasket - Cover	1
4	*83114	. Diaphragm - Fuel pump	1
5	*47690	. Screw - Plate	3
6	67487	. Plate - Throttle	1
7	67489	. Clip - Shaft	1
8	67486	. Shaft Assy - Throttle	1
9	67490	. Plate - Choke	1
10	67488	. Shaft - Choke	1
11	*100302	. Ball - Choke friction	1
12	*67504	. Spring - Choke	1
13	*83770	. Needle - High speed	1
14	*83771	. Needle - Idle	1
15	*67502	. Spring - Needle	2
16	70798	. Screw - Diaphragm cover	4
17	83761	. Cover - Diaphragm	1

Item No.	Part Number	Description	Units Per Assy
18	*67499	. Diaphragm - Metering	1
19	*67496	. Gasket - Diaphragm	1
20	*67500	. Screw - Lever pin	1
21	*67508	. Pin - Lever	1
22	*67509	. Lever - Metering	1
23	*67503	. Spring - Lever	1
24	*67491	. Valve - Needle	1
25	83769	. Body Assy - Carburetor	1
26	*71690	. . Plug - 3/8	1
27	*69506	. . Plug - 5/16	1
28	69203	. . Seat Assy	1
29	69204	. . Valve	1
30	*67507	. . Screen - Fuel	1
	*67482	Gasket Set	
	83772	Repair Kit	

\* Indicates parts included in Repair Kit, P/N 83772

# SUPER 10-10 AUTOMATIC

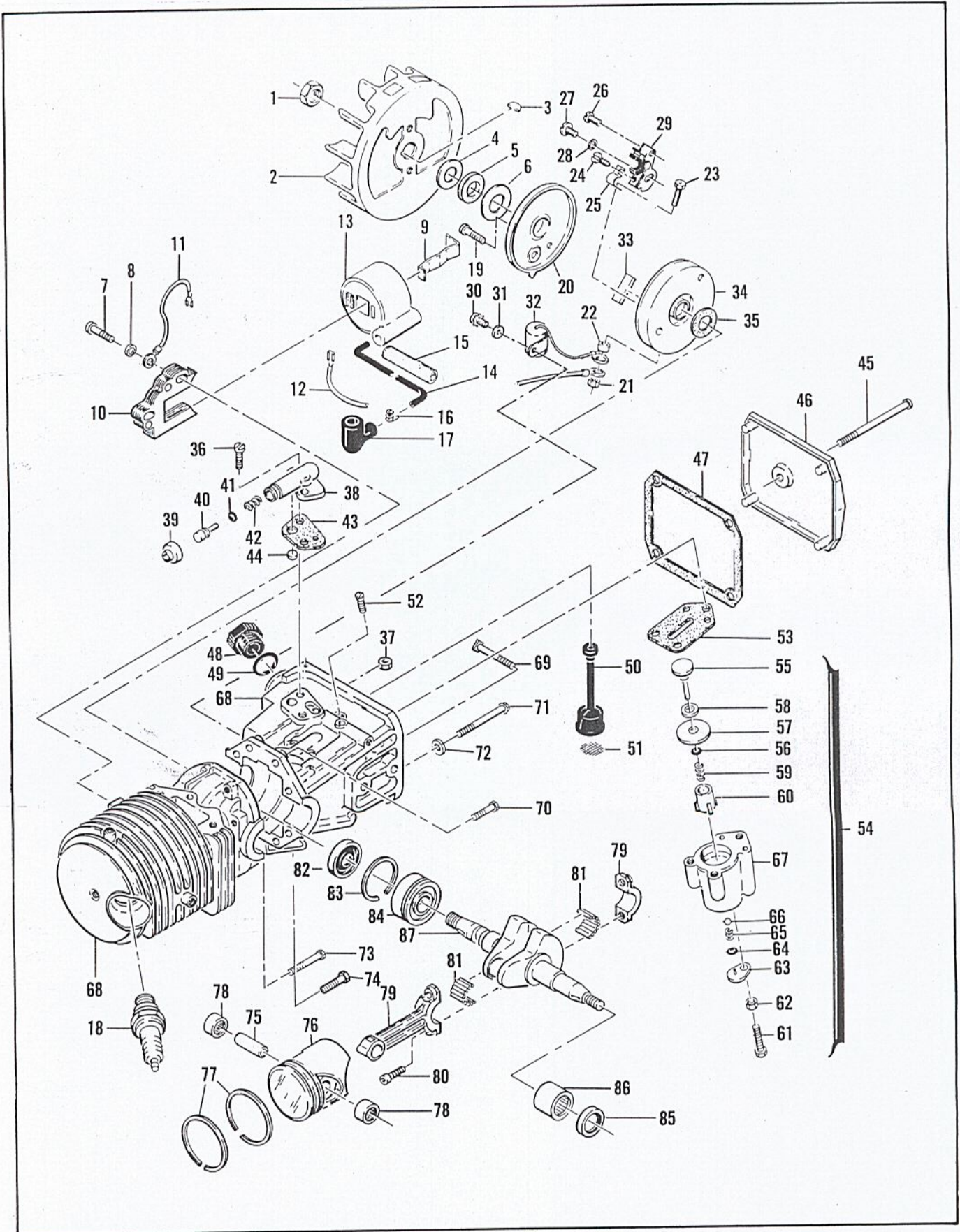


Figure 5. Powerhead Assembly



FIGURE 5. POWERHEAD ASSEMBLY

Item No.	Part Number	Description	Units Per Assy
1	110594	Nut - Hex 3/8-24	1
2	61737A	Flywheel Assy	1
3	103879	Key-Woodruff	1
4	67057	Washer - Thrust	1
5	67056	Seal	1
6	67054	Washer - Thrust	1
7	110127	Screw - Hex hd 10-24 x 7/8 (SEMS)	2
8	100003	Washer - #10	2
9	51253	Retainer - Coil	1
10	68164	Lamination Assy	1
11	62819	Wire Assy - Ground	1
12	62818A	Wire Assy - Primary	1
13	69798	Coil & Terminal Assy	1
14	69966	. Wire & Sleeve Assy - Spark plug	1
15	67127	. . Sleeve	1
16	62932	. . Connector	1
17	62926	. . Boot	1
18	63097	Spark Plug	1
19	110349	Screw - Rd hd 8-32 x 3/4	1
20	62362	Cover - Breaker box	1
21	100298	Nut - Hex 6-32	1
22	62365	Spacer - Breaker screw	1
23	110346	Screw - Hex hd 6-32 x 3/4	1
24	110489	Screw - Pan hd 6-32 x 7/16	1
25	83126	Strap - Conduction	1
26	100934	Screw - Rd hd 8-32 x 3/8	1
27	110445	Screw - Tr hd 8-32 x 3/8	1
28	105976	Washer - #8	1
29	66231	Breaker Assy	1
30	103672	Screw - Fil hd 8-32 x 1/2 (SEMS)	1
31	100080	Washer - #8	1
32	61650	Condenser	1
33	54184	Wiper	1
34	83125	Box - Breaker	1
35	67051	Seal	1
36	110623	Screw - Hex hd 8-32 x 1/2	2
37	100955	Nut - Hex 8-32	1
38	62261A	Housing - Pump	1
39	62262	Cap - Housing	1
40	62266	Plunger - Pump	1
41	101056	"O" Ring	1
42	66687	Spring	1

Item No.	Part Number	Description	Units Per Assy
43	62230	Gasket	1
44	62909	Valve	1
45	110291	Screw - Pan hd 10-24 x 2-5/8	1
46	63072	Cover - Oil tank	1
47	62116	Gasket - Cover	1
48	68809	Cap - Oil tank	1
49	101148	"O" Ring	1
50	62123B	Hose Assy - Oil	1
51	51506	. Screen - Hose	1
52	110333	Screw - Oval hd 8-32 x 1/2	3
53	62274	Gasket	1
54	83134	Pump Assy - Pulse	1
55	60260A	. Piston Assy - Pump	1
56	104001	. "O" Ring	1
57	60263	. Ring - Piston	1
58	60937	. Washer - Teflon	1
59	60259	. Spring - Piston	1
60	62227	. Sleeve - Adjustment	1
61	110386	. Screw - Hex hd 8-32 x 1	1
62	100251	. Nut - Hex 8-32	1
63	62407	. Cover - Outlet valve	1
64	106104	. "O" Ring	1
65	62885A	. Spring - Outlet valve	1
66	102809	. Ball	1
67	83128	. Body Assy - Pump	1
68	69993	Crankcase Assy	1
69	62065	. Bolt - Bar mounting	2
70	110288	. Screw Assy - 8-32 x 3/4	2
71	62105	Screw Assy - Sealing	4
72	62842	. Washer - Sealing	4
73	110618	Screw Assy - 8-32 x 1-3/8	1
74	110288	Screw Assy - 8-32 x 3/4	1
75	61649	Pin - Piston	1
76	69212	Piston Assy	1
77	62814	. Ring Set - Piston	1
78	103512	. Bearing - Needle	2
79	65401	Connecting Rod Assy	1
80	61627A	. Screw - Skt hd 8-36 x 1/2	2
81	63225	. Roller - Needle (Set of 20)	1
82	67906	Oil Seal	1
83	63464	Ring - Snap	1
84	67905	Bearing - Ball	1
85	65747	Oil Seal	1
86	104357	Bearing - Needle	1
87	63336	Crankshaft	1

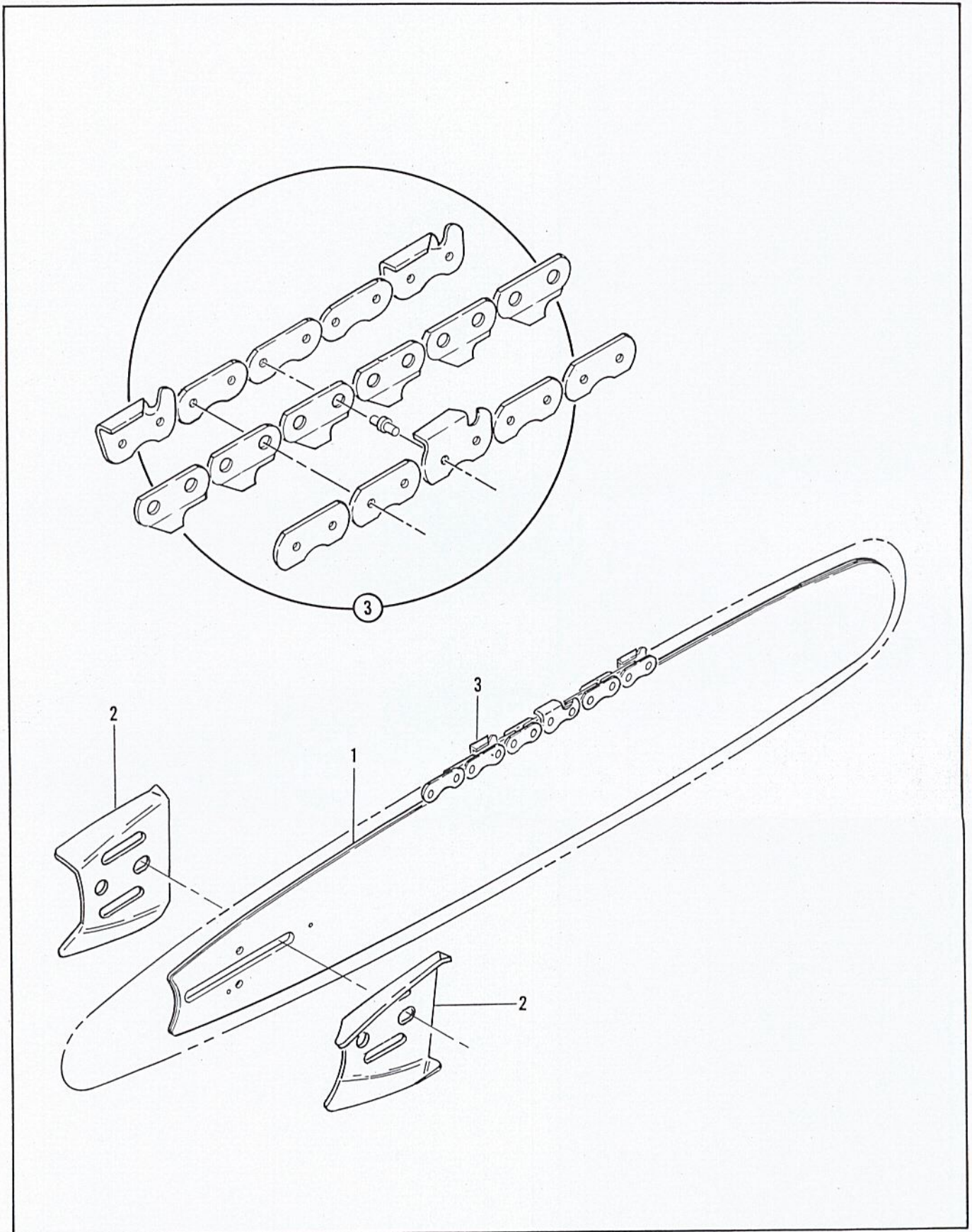


Figure 6. Bar and Chain Assemblies

FIGURE 6. BAR AND CHAIN ASSEMBLIES

Item No.	Part Number	Description	Units Per Assy
1	63541	Bar	
2	64325	Plate - Bar protector	2

Item No.	Part Number	Description	Units Per Assy
3	62556M	Chain Assy	

ACCESSORIES

Part Number	Description
*83434	Manual - Owner's
+67942	Manual - Owner's
63746	Scrench
63341A	Kit - Spike
62827	Wrench
65712	Guide - Timing
63432	Spark Plug - AC CS42T
65778	Spark Plug - AC CS41T
69210	Piston Assy - 0.020 in. oversize
62813	. Ring Set - Piston 0.020 in. oversize

Part Number	Description
103512	Bearing - Needle (2)
69211	Piston Assy - 0.030 in. oversize
62812	. Ring Set - Piston 0.030 in. oversize
103512	. Bearing - Needle (2)
64330	Bar Plate Set
63084	Manual - Shop
69058	Kit - Wrap around frame
69191	Kit - Pressure test adaptor
83406	Kit - Spark arrester screen

\* Serial numbers prefixed 12- & A10-  
+ Serial numbers prefixed B11-