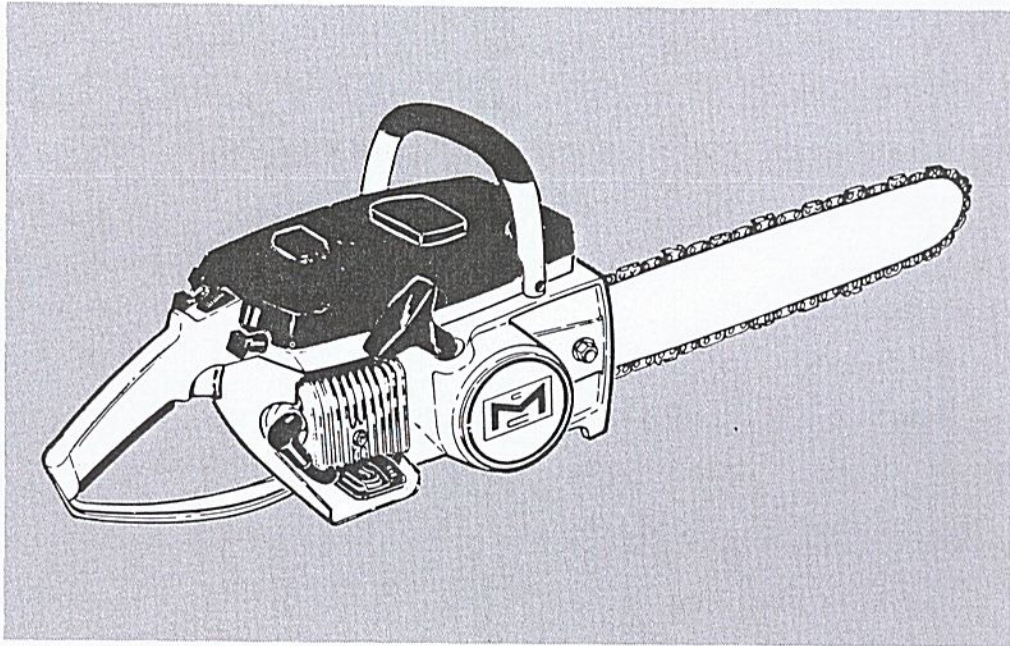


SUPER 10-10 Chain Saw

MODEL 600005

- SERIAL NUMBERS PREFIXED 14-, A12-

ILLUSTRATED PARTS LIST



November 1969

The policy of McCulloch Corporation is one of continual improvement in design, manufacturing and engineering advancement wherever possible to assure still finer two-cycle power tools. Hence, specifications, equipment, colors, design and manufacturer's suggested list prices are subject to change without notice and McCulloch Corporation reserves the right to make such changes without prior notification or obligation to backfit or supply backfit components for units previously shipped from the factory.

| | Page |
|---|------|
| Figure 1. Engine Exploded View - General | 2 |
| Figure 2. Clutch Guard & Starter Assembly | 4 |
| Figure 3. Fuel Tank Assembly | 4 |
| Figure 4. Carburetor Assembly | 6 |
| Figure 5. Powerhead Assembly | 8 |
| Figure 6. Bar and Chain Assembly | 10 |



McCULLOCH

COPYRIGHT 1969 U.S.A.--
McCULLOCH CORPORATION

83667

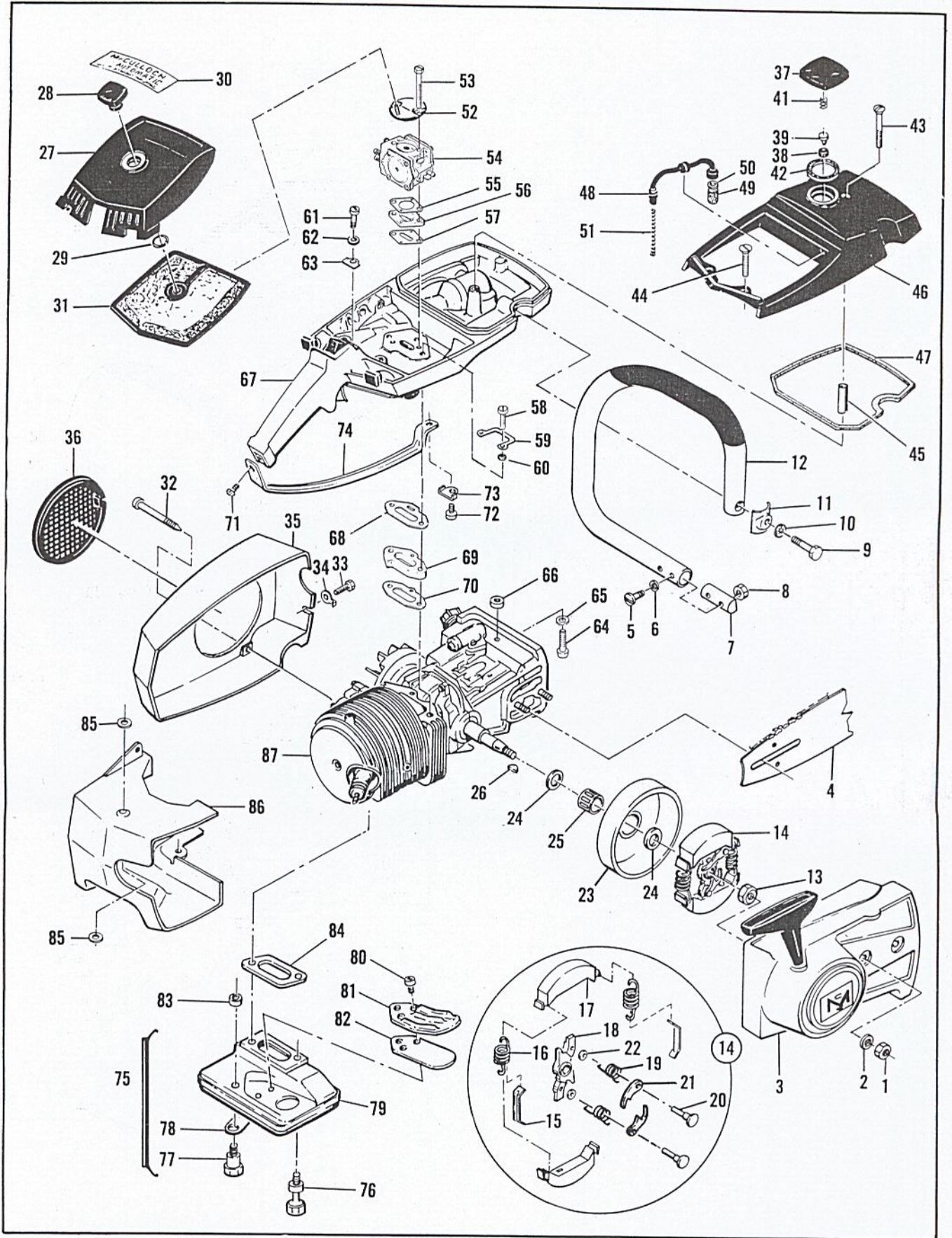


Figure 1. General

FIGURE 1. GENERAL

| Item No. | Part Number | Description | Units Per Assy |
|----------|-------------|---|----------------|
| 1 | 110454 | Nut - Hex 5/16 - 24 | 2 |
| 2 | 100440 | Washer - 5/16 | 2 |
| 3 | | Clutch Guard & Starter Assy (See Figure 2) | |
| 4 | | Bar & Chain (See Figure 6) | |
| 5 | 102761 | Screw - Hex hd 10-24 x 7/8 | 2 |
| 6 | 100352 | Washer - #10 | 2 |
| 7 | 61678 | Plug - Nut retainer | 1 |
| 8 | 101326 | Nut - Hex 10-24 | 2 |
| 9 | 102130 | Screw - Hex hd 1/4-20 x 1-1/2 | 1 |
| 10 | 100153 | Lockwasher - 1/4 | 1 |
| 11 | 63484 | Clamp - Frame | 1 |
| 12 | 69054 | Frame & Grip Assy | 1 |
| 13 | 110594 | Nut - Hex 3/8-24 | 1 |
| 14 | -83655 | Clutch Assy | 1 |
| 15 | 64583 | . Retainer | 2 |
| 16 | 83223 | . Spring - Clutch | 2 |
| 17 | 67233 | . Shoe - Clutch | 2 |
| 18 | -83671 | . Rotor Assy | 1 |
| 19 | -83654 | . . Spring - Pawl | 2 |
| 20 | -83653 | . . Rivet | 2 |
| 21 | -24093 | . . Pawl - Clutch | 2 |
| 22 | 65473 | . . Washer - Special | 2 |
| 23 | 65370 | Kit - Sprocket & Drum Assy | 1 |
| 24 | 61692 | . Shim | 2 |
| 25 | 110330 | Bearing | 1 |
| 26 | 103879 | Key - Woodruff | 1 |
| 27 | 68530 | Cover Assy - Air cleaner | 1 |
| 28 | 68529 | . Knob - Cover | 1 |
| 29 | 110565 | . Ring - Retaining | 1 |
| 30 | 69932 | Nameplate | 1 |
| 31 | 69922 | Filter - Air | 1 |
| 32 | 62978 | Screw - Special | 3 |
| 33 | 102762 | Screw - Hex hd 10-24 x 1/2 | 1 |
| 34 | 69890 | Lockplate | 1 |
| 35 | -83521 | Kit - Fan Housing | 1 |
| 36 | -55615 | . Guard - Flywheel | 1 |
| 37 | 68531 | Cap Assy - Fuel | 1 |
| 38 | 68533 | . Plug | 1 |
| 39 | 63041 | . Valve | 1 |
| 40 | | Deleted | |
| 41 | 63040 | . Spring | 1 |
| 42 | 69767 | . Gasket | 1 |
| 43 | 110402 | Screw - Oval hd 12-24 x 2-3/8 | 1 |

| Item No. | Part Number | Description | Units Per Assy |
|----------|-------------|-----------------------------------|----------------|
| 44 | 103579 | Screw - Fl hd 10-24 x 1 | 2 |
| 45 | 69686 | Spacer - Fuel tank cover | 1 |
| 46 | 69679 | Cover - Fuel tank | 1 |
| 47 | 69345 | Gasket - Cover | 1 |
| 48 | 64848 | Hose Assy - Fuel | 1 |
| 49 | 63932 | . Filter - Fuel | 1 |
| 50 | 100440 | . Washer - 5/16 | 1 |
| 51 | 67944 | Spring - Hose stiffener | 1 |
| 52 | 83204 | Kit - Bracket Assy | 1 |
| 53 | 103357 | . Screw - Hex hd 10-24 x 2-1/4 | 2 |
| 54 | | Carburetor Assy (See Figure 4) | |
| 55 | 68132 | Gasket - Carburetor | 1 |
| 56 | 66678 | Spacer - Carburetor | 1 |
| 57 | 68131 | Gasket - Spacer | 1 |
| 58 | 110570 | Screw - Hex hd 12-24 x 1-3/8 | 2 |
| 59 | 68582 | Lockplate | 1 |
| 60 | 102115 | Washer - #12 | 2 |
| 61 | 110568 | Screw - Hex hd 12-24 x 1-1/8 | 1 |
| 62 | 64856 | Washer - Special | 1 |
| 63 | 69516 | Lockplate | 1 |
| 64 | 102660 | Screw - Skt. hd 10-24 x 7/8 | 1 |
| 65 | 100003 | Washer - #10 | 1 |
| 66 | 69772 | Spacer - Fuel tank | 1 |
| 67 | | Fuel Tank Assy (See Figure 3) | |
| 68 | 68580 | Gasket - Fuel tank | 1 |
| 69 | 68614 | Insulator - Fuel tank | 1 |
| 70 | 68580 | Gasket - Insulator | 1 |
| 71 | 106078 | Screw - Hex hd 10-24 x 7/16 | 1 |
| 72 | 110566 | Screw - Hex hd 12-24 x 5/8 | 1 |
| 73 | 68508 | Lockplate | 1 |
| 74 | -69838 | Brace - Handle | 1 |
| 75 | 68863 | Kit - Muffler | 1 |
| 76 | 67838 | . Screw - Muffler long | 2 |
| 77 | 67837 | . Screw - Muffler short | 1 |
| 78 | -83993 | . Lockplate | 1 |
| 79 | 68838 | . Muffler Assy | 1 |
| 80 | 110563 | . . Screw - Skt hd 8-32 x 1/4 | 2 |
| 81 | 83069 | . . Stop - Reed | 1 |
| 82 | 64785 | . . Reed | 1 |
| 83 | 63993 | Gasket - Muffler screw | 1 |
| 84 | 68149 | Gasket - Muffler | 1 |
| 85 | 68581 | Insulator - Shroud | 2 |
| 86 | 67910 | Shroud | 1 |
| 87 | | Powerhead Assy (See Figure 5) | |

1141069

Part numbers which have changed since the previous printing of the illustrated parts list covering these saws, are indicated by a dash (-) preceding the new part number.

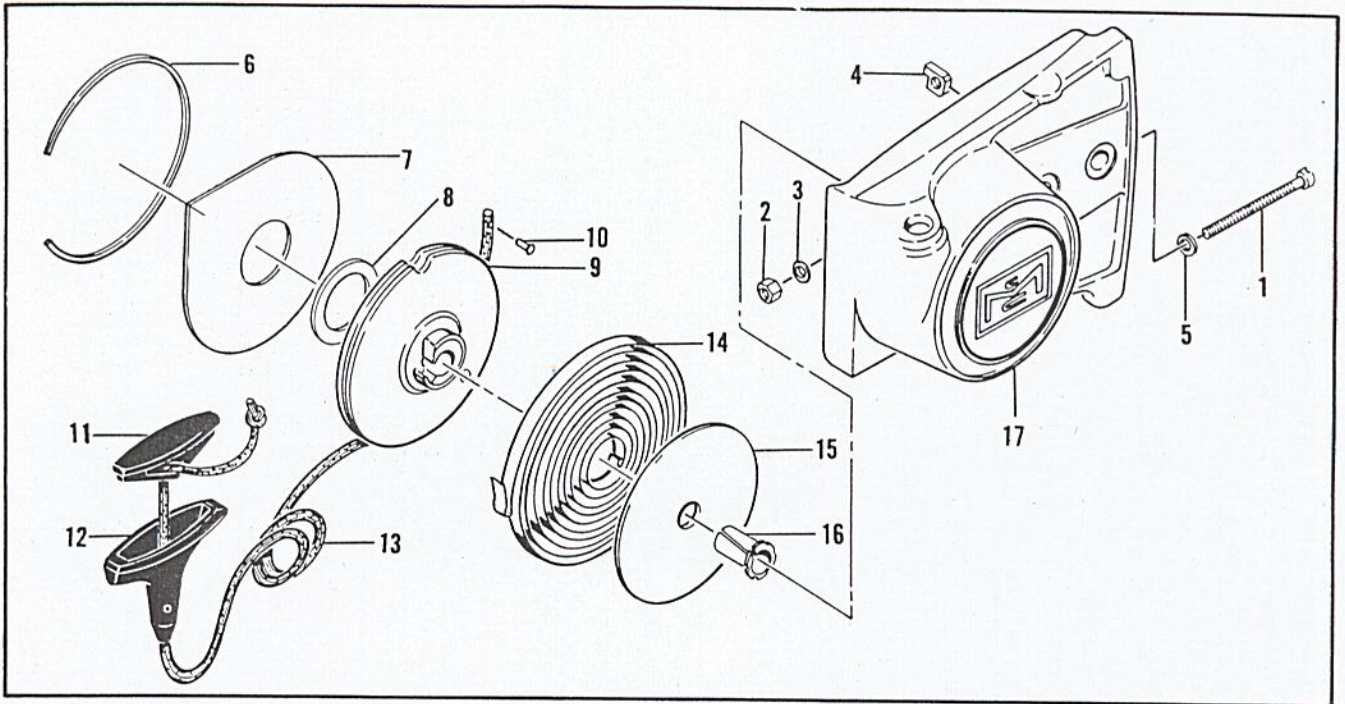


Figure 2. Clutch Guard and Starter Assembly

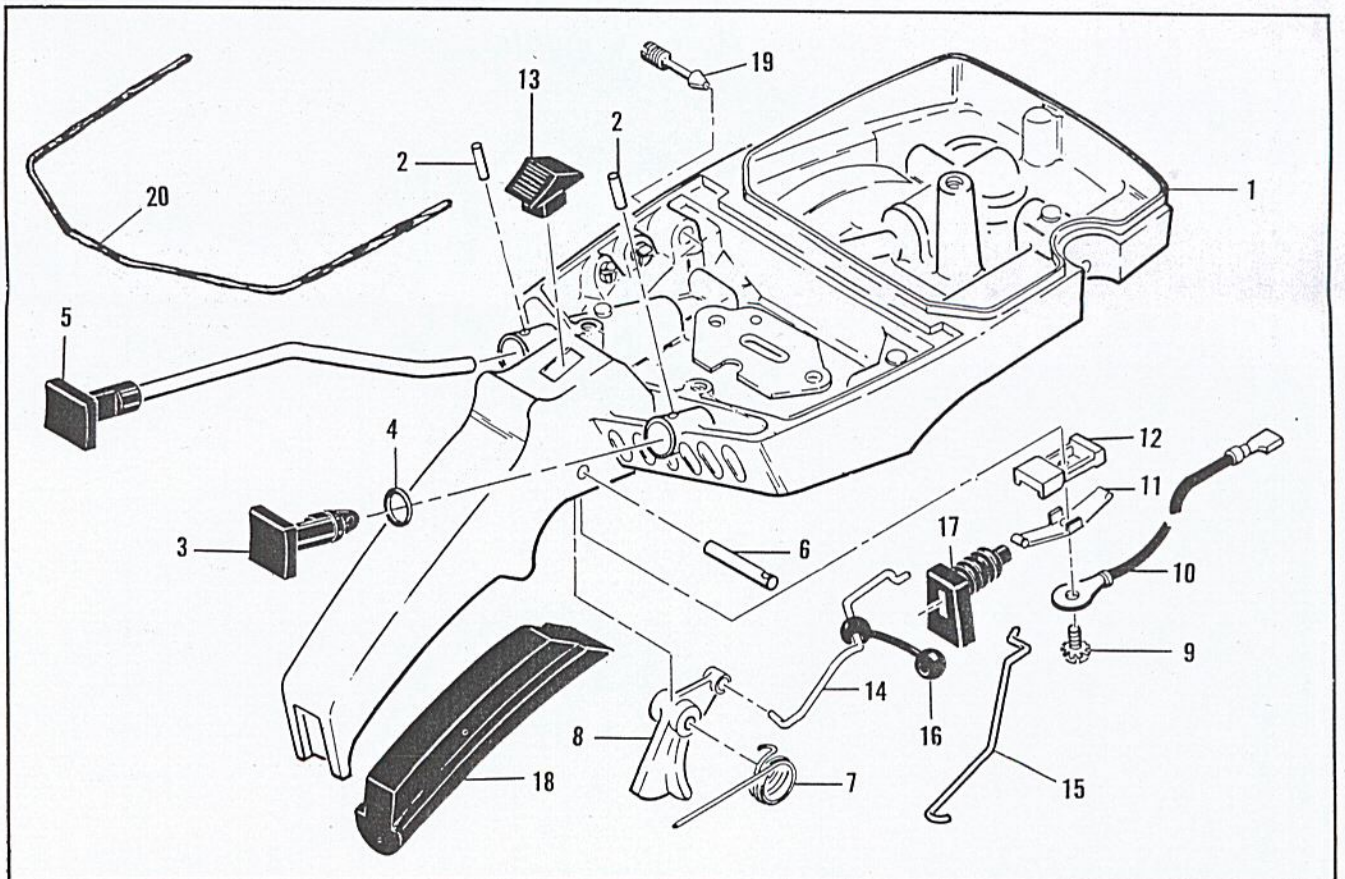


Figure 3. Fuel Tank Assembly

FIGURE 2. CLUTCH GUARD AND STARTER ASSEMBLIES

| Item No. | Part Number | Description | Units Per Assy |
|----------|-------------|-------------------------|----------------|
| | -83850 | Clutch Guard Assy | 1 |
| 1 | 102144 | . Screw - Bar adjusting | 1 |
| 2 | 102067 | . Nut - Hex 10-24 | 1 |
| 3 | 110387 | . Washer - Wave | 1 |
| 4 | 61705 | . Nut - Bar adjusting | 1 |
| 5 | 110264 | . Washer - #10 | 1 |
| 6 | 67205 | . Retainer - Shield | 1 |
| 7 | 63985 | . Shield - Dust | 1 |
| 8 | 63986 | . Washer - Thrust | 1 |

| Item No. | Part Number | Description | Units Per Assy |
|----------|-------------|------------------------|----------------|
| 9 | -83651 | . Drum - Starter | 1 |
| 10 | 110470 | . Rivet - Starter rope | 1 |
| 11 | 62191A | . Insert - Handle | 1 |
| 12 | 62190A | . Handle - Starter | 1 |
| 13 | 69964 | . Rope - Starter | 1 |
| 14 | -83334 | . Spring - Rewind | 1 |
| 15 | 63987 | . Shield - Spring | 1 |
| 16 | 61635A | . Bushing - Nyliner | 1 |
| 17 | -83569 | . Guard - Clutch | 1 |

2141069

FIGURE 3. FUEL TANK ASSEMBLY

| Item No. | Part Number | Description | Units Per Assy |
|----------|-------------|-------------------------------------|----------------|
| 1 | 68683 | Fuel Tank Assy | 1 |
| 2 | 105673 | Pin - Roll | 2 |
| 3 | 69041 | Button - Choke | 1 |
| 4 | 101056 | "O" Ring | 1 |
| 5 | 64871 | Button & Rod Assy | 1 |
| 6 | 110378 | Pin - Roll | 1 |
| 7 | 65734 | Spring - Throttle return | 1 |
| 8 | 67224 | Trigger | 1 |
| 9 | 103672 | Screw - Fil hd 8-32 x 1/2 (SEMS) | 1 |
| 10 | 62973A | Wire Assy - Stop switch | 1 |

| Item No. | Part Number | Description | Units Per Assy |
|----------|-------------|-----------------------|----------------|
| 11 | 62451 | Contact - Switch | 1 |
| 12 | 62950A | Base - Switch | 1 |
| 13 | 62951 | Button - Switch | 1 |
| 14 | 68170 | Rod - Throttle | 1 |
| 15 | 69042 | Rod - Choke | 1 |
| 16 | 69043 | Snubber - Control rod | 1 |
| 17 | 68522 | Seal - Throttle rod | 1 |
| 18 | 64872 | Grip - Handle | 1 |
| 19 | 67271 | Screw - Idle speed | 1 |
| 20 | *69564 | Seal - Airbox | AR |

* Furnished on a 12-1/2 inch strip containing
9 beads of sealant (enough for 9 replacements).

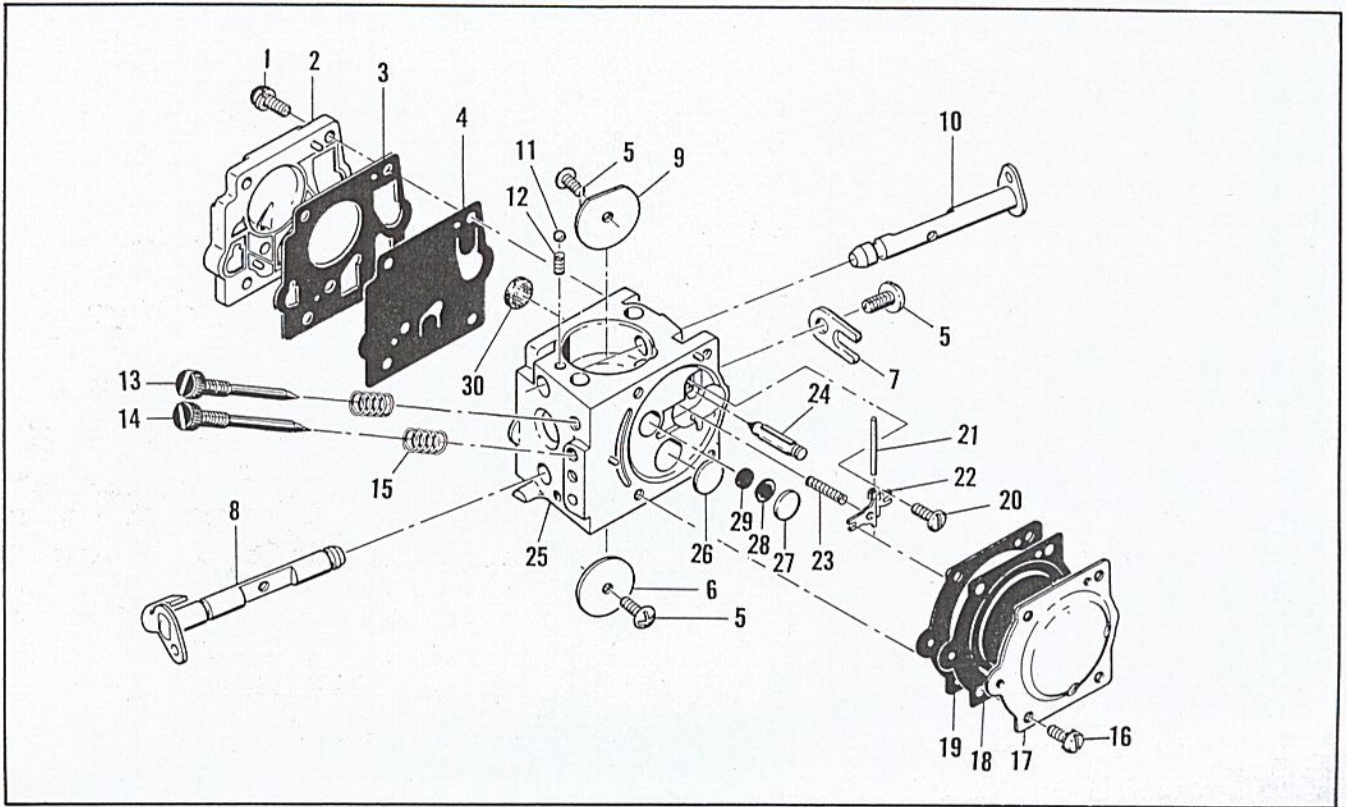


Figure 4. Carburetor Assembly.

FIGURE 4. CARBURETOR ASSEMBLY

| Item No. | Part Number | Description | Units Per Assy |
|----------|-------------|---------------------------|----------------|
| | 83249 | Carburetor Assy | 1 |
| 1 | 67501 | . Screw - Pump cover | 4 |
| 2 | 83760 | . Cover - Pump | 1 |
| 3 | *67495 | . Gasket - Cover | 1 |
| 4 | *83114 | . Diaphragm - Fuel pump | 1 |
| 5 | *47690 | . Screw - Plate | 3 |
| 6 | 67487 | . Plate - Throttle | 1 |
| 7 | 67489 | . Clip - Shaft | 1 |
| 8 | 67486 | . Shaft Assy - Throttle | 1 |
| 9 | 67490 | . Plate - Choke | 1 |
| 10 | 67488 | . Shaft - Choke | 1 |
| 11 | *100302 | . Ball - Choke friction | 1 |
| 12 | *67504 | . Spring - Choke | 1 |
| 13 | *83770 | . Needle - High speed | 1 |
| 14 | *83771 | . Needle - Idle | 1 |
| 15 | *67502 | . Spring - Needle | 2 |
| 16 | 70798 | . Screw - Diaphragm cover | 4 |
| 17 | 83761 | . Cover - Diaphragm | 1 |

| Item No. | Part Number | Description | Units Per Assy |
|----------|-------------|--------------------------|----------------|
| 18 | *67499 | . Diaphragm - Metering | 1 |
| 19 | *67496 | . Gasket - Diaphragm | 1 |
| 20 | *67500 | . Screw - Lever pin | 1 |
| 21 | *67508 | . Pin - Lever | 1 |
| 22 | *67509 | . Lever - Metering | 1 |
| 23 | *67503 | . Spring - Lever | 1 |
| 24 | *67491 | . Valve - Needle | 1 |
| 25 | 83769 | . Body Assy - Carburetor | 1 |
| 26 | *71690 | . . Plug - 3/8 | 1 |
| 27 | *69506 | . . Plug - 5/16 | 1 |
| 28 | 69203 | . . Seat Assy | 1 |
| 29 | 69204 | . . Valve | 1 |
| 30 | *67507 | . . Screen - Fuel | 1 |
| | *67482 | Gasket Set | |
| | 83772 | Repair Kit | |

* Indicates parts included in Repair Kit, P/N 83772

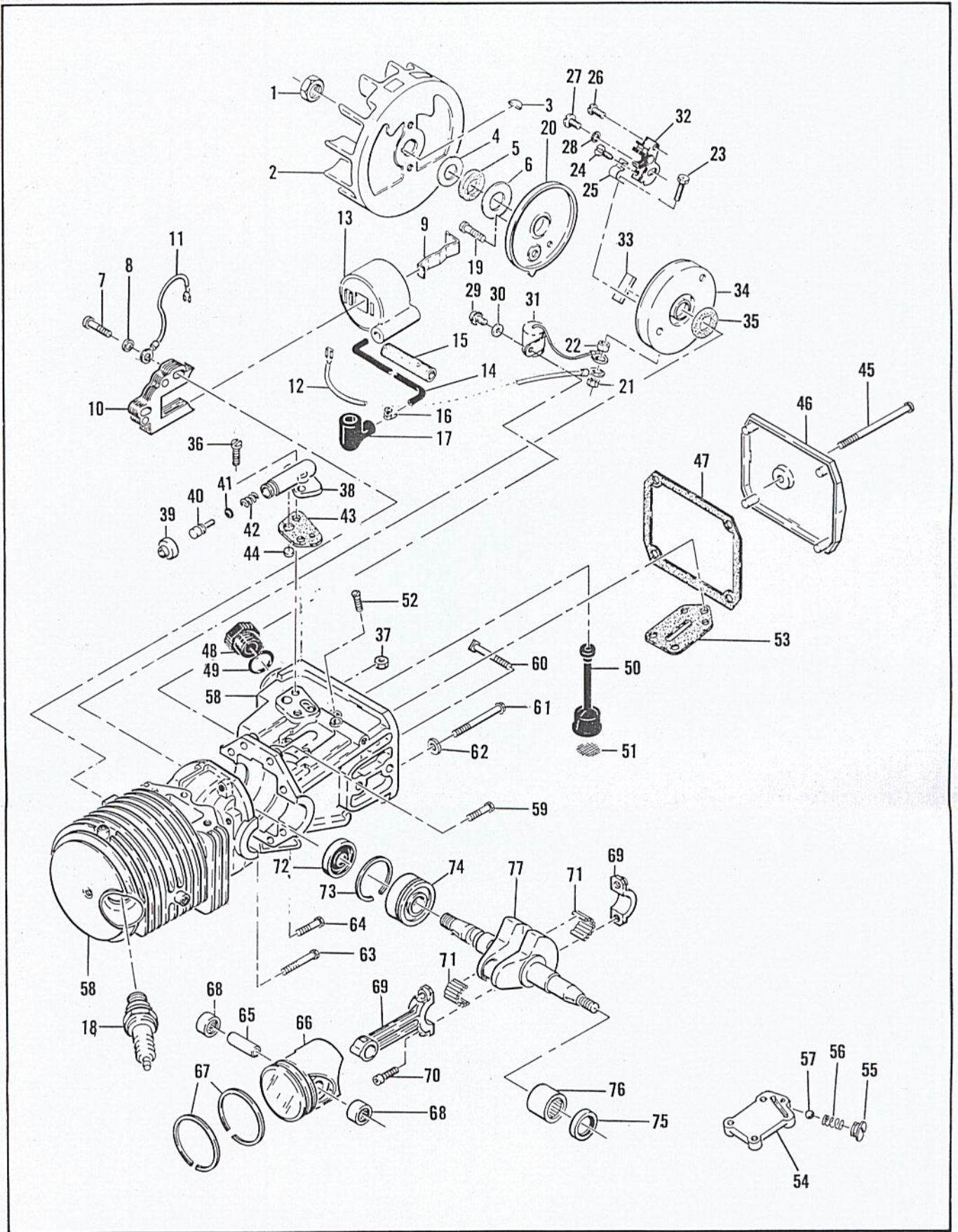


Figure 5. Powerhead Assembly

FIGURE 5. POWERHEAD ASSEMBLY

| Item No. | Part Number | Description | Units Per Assy |
|----------|-------------|--------------------------------------|----------------|
| 1 | 110594 | Nut - Hex 3/8-24 | 1 |
| 2 | 61737A | Flywheel Assy | 1 |
| 3 | 103879 | Key - Woodruff | 1 |
| 4 | 67057 | Washer - Thrust | 1 |
| 5 | 67056 | Seal | 1 |
| 6 | 67054 | Washer - Thrust | 1 |
| 7 | 110127 | Screw - Hex hd 10-24 x 7/8 (SEMS) | 2 |
| 8 | 100003 | Washer - #10 | 2 |
| 9 | 51253 | Retainer - Coil | 1 |
| 10 | 68164 | Lamination Assy | 1 |
| 11 | 62819 | Wire Assy - Ground | 1 |
| 12 | -69344 | Wire Assy - Primary | 1 |
| 13 | 69798 | Coil & Terminal Assy | 1 |
| 14 | 69966 | . Wire & Sleeve Assy - Spark plug | 1 |
| 15 | 67127 | . . Sleeve - Spark plug wire | 1 |
| 16 | 62932 | . . Connector | 1 |
| 17 | 62926 | . . Boot | 1 |
| 18 | 63097 | Spark Plug - AC CS45T | 1 |
| 19 | 110349 | Screw - Rd hd 8-32 x 3/4 | 1 |
| 20 | 62362 | Cover - Breaker box | 1 |
| 21 | 100298 | Nut - Hex 6-32 | 1 |
| 22 | 62365 | Spacer - Breaker screw | 1 |
| 23 | 110346 | Screw - Hex hd 6-32 x 3/4 | 1 |
| 24 | 110489 | Screw - Pan hd 6-32 x 7/16 | 1 |
| 25 | 83126 | Strap - Conduction | 1 |
| 26 | 100934 | Screw - Rd hd 8-32 x 3/8 | 1 |
| 27 | 110445 | Screw - Tr hd 8-32 x 3/8 | 1 |
| 28 | 105976 | Washer - #8 | 1 |
| 29 | 103672 | Screw - Fil hd 8-32 x 1/2 | 1 |
| 30 | 100080 | Washer - #8 | 1 |
| 31 | 61650 | Condenser | 1 |
| 32 | 66231 | Breaker Assy | 1 |
| 33 | 54184 | Wiper | 1 |
| 34 | 83125 | Box - Breaker | 1 |
| 35 | 67051 | Seal | 1 |
| 36 | 110623 | Screw - Hex hd 8-32 x 1/2 | 2 |
| 37 | 100955 | Nut - Hex 8-32 | 1 |
| 38 | 62261A | Housing - Pump | 1 |
| 39 | 62262 | Cap - Housing | 1 |

| Item No. | Part Number | Description | Units Per Assy |
|----------|-------------|-------------------------------|----------------|
| 40 | 62266 | Plunger - Pump | 1 |
| 41 | 101056 | "O" Ring | 1 |
| 42 | 66687 | Spring | 1 |
| 43 | 62230 | Gasket | 1 |
| 44 | 62909 | Valve | 1 |
| 45 | 110291 | Screw - Pan hd 10-24 x 2-3/4 | 1 |
| 46 | 63072 | Cover - Oil tank | 1 |
| 47 | 62116 | Gasket - Cover | 1 |
| 48 | 68809 | Cap - Oil tank | 1 |
| 49 | 101148 | "O" Ring | 1 |
| 50 | 62123B | Hose Assy - Oil | 1 |
| 51 | 51506 | . Screen - Hose | 1 |
| 52 | 110333 | Screw - Oval hd 8-32 x 1/2 | 3 |
| 53 | 62274 | Gasket | 1 |
| 54 | 68711 | Body Assy - Check valve | 1 |
| 55 | 68714 | . Screw - 1/4-20 | 1 |
| 56 | 63034 | . Spring - Check valve | 1 |
| 57 | 100071 | . Ball - 5/32 dia. | 1 |
| 58 | 69993 | Crankcase Assy | 1 |
| 59 | 110288 | . Screw - 8-32 x 3/4 | 2 |
| 60 | 62065 | . Bolt - Bar mounting | 2 |
| 61 | 62105 | Screw Assy - Sealing | 4 |
| 62 | 62842 | . Washer - Sealing | 4 |
| 63 | 110618 | Screw - 8-32 x 1-3/8 | 1 |
| 64 | 110288 | Screw - 8-32 x 3/4 | 1 |
| 65 | 61649 | Pin - Piston | 1 |
| 66 | 69212 | Piston Assy | 1 |
| 67 | 62814 | . Ring Set - Piston | 1 |
| 68 | 103512 | . Bearing - Needle | 2 |
| 69 | 65401 | Connecting Rod Assy | 1 |
| 70 | 61627A | . Screw - Skt hd 8-36 x 1/2 | 2 |
| 71 | 63225 | . Roller - Needle (set of 20) | 1 |
| 72 | 67906 | Oil Seal | 1 |
| 73 | 63464 | Ring - Snap | 1 |
| 74 | 67905 | Bearing - Ball | 1 |
| 75 | -110260 | Oil Seal | 1 |
| 76 | 104357 | Bearing - Needle | 1 |
| 77 | 63336 | Crankshaft | 1 |

3141069

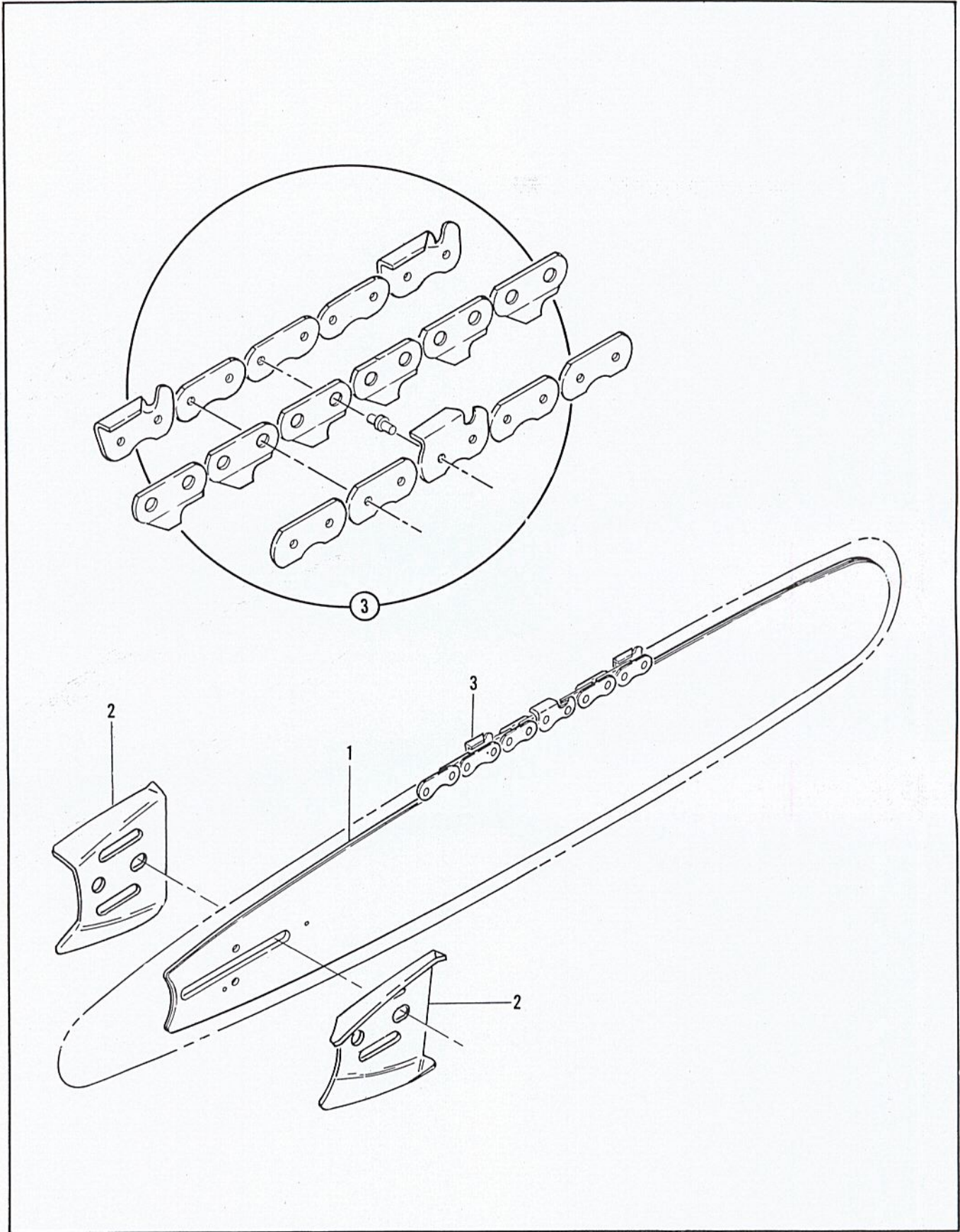


Figure 6. Bar and Chain Assemblies

FIGURE 6. BAR AND CHAIN ASSEMBLIES

| Item No. | Part Number | Description | Units Per Assy |
|----------|-------------|-----------------------|----------------|
| 1 | 63541 | Bar - 16 inch | 1 |
| 2 | 64325 | Plate - Bar protector | 2 |

| Item No. | Part Number | Description | Units Per Assy |
|----------|-------------|--------------------------|----------------|
| 3 | 62556M | Chain Assy - 16 inch bar | 1 |

SERVICE SPECIFICATIONS

| | |
|---|-------------------------|
| Spark Plug Gap ----- | 0.025 in. |
| Lamination Gap ----- | 0.010 to 0.015 in. |
| Breaker Point Gap ----- | 0.018 in. |
| Carburetor Adjustment | |
| Idle Needle - Preliminary adjustment 1 turn open. Adjust for smooth idle and acceleration. | |
| Main Needle - Preliminary adjustment 1 turn open. Adjust for maximum power under load. | |
| Torque Values | |
| Flywheel Nut ----- | 240 to 300 inch-pounds. |
| Clutch Nut ----- | 160 to 170 inch-pounds. |
| Connecting Rod Screws ----- | 65 to 70 inch-pounds. |

ACCESSORIES

| Part Number | Description |
|-------------|--|
| 83434 | Manual - Owner's |
| 63746 | Scrench |
| 63341A | Kit - Spike |
| 62827 | Wrench |
| 65712 | Guide - Timing |
| 63432 | Spark Plug - AC CS42T |
| 65778 | Spark Plug - AC CS41T |
| 69210 | Piston Assy - 0.020 in. oversize |
| 62813 | . Ring Set - Piston 0.020 in. oversize |

| Part Number | Description |
|-------------|--|
| 103512 | Bearing - Needle (2) |
| 69211 | Piston Assy - 0.030 in. oversize |
| 62812 | . Ring Set - Piston 0.030 in. oversize |
| 103512 | . Bearing - Needle (2) |
| 64330 | Bar Plate Set |
| 63084 | Manual - Shop |
| 69058 | Kit - Wrap around frame |
| 69191 | Kit - Pressure test adaptor |
| 83406 | Kit - Spark arrester screen |

4141069