

ILLUSTRATED PARTS LIST

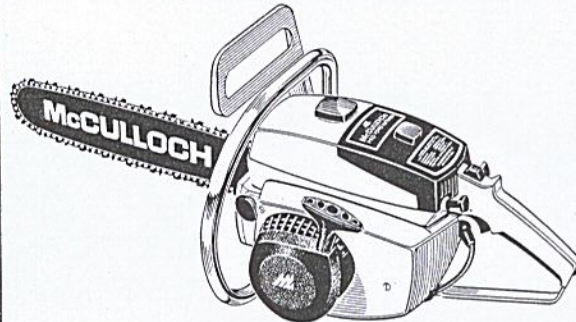
PRO 10-10 Automatic Chain Saw

MODELS	SERIAL NUMBER PREFIX	MODELS	SERIAL NUMBER PREFIX
600013A	11-, 12-	600013K	11-, 12-
600013B	11- 12-	600013U	11-, 12-
600013E	12-		

PRO 10-10A chain saws are identified by a model number (600013) followed by a suffix letter (A,B,E,K,U) stamped on the identification plate attached to the saw. Suffix letters denote variations in parts or assemblies in the manufacture of the saw.

Part numbers listed in this IPL which have a suffix letter or letters following the description, indicate the part is used only on the model identified by the letter or letters.

Part numbers and descriptions without suffix letter or letters apply to all models of the PRO 10-10A saws.



October 1975

- CONTENTS -

The policy of McCulloch Corporation is one of continual improvement in design, manufacturing and engineering advancement wherever possible to assure still finer two-cycle power tools. Hence, specifications, equipment, colors, design and manufacturer's suggested list prices are subject to change without notice and McCulloch Corporation reserves the right to make such changes without prior notification or obligation to backfit or supply backfit components for units previously shipped from the factory.

	<u>Page</u>
Figure 1. General	2
Figure 2. Fan Housing & Starter Assy	4
Figure 3. Fuel Tank Assembly	4
Figure 4. Carburetor Assembly	3
Figure 5. Chain Brake Assembly	6
Figure 6. Powerhead Assembly	8
Figure 7. Bar & Chain Assembly	10
Accessories	11

McCULLOCH

© U.S.A. 1975 - McCULLOCH CORPORATION

Printed in U.S.A.

91972

(This IPL supercedes and replaces IPL #91444)

PRO 10-10 Automatic

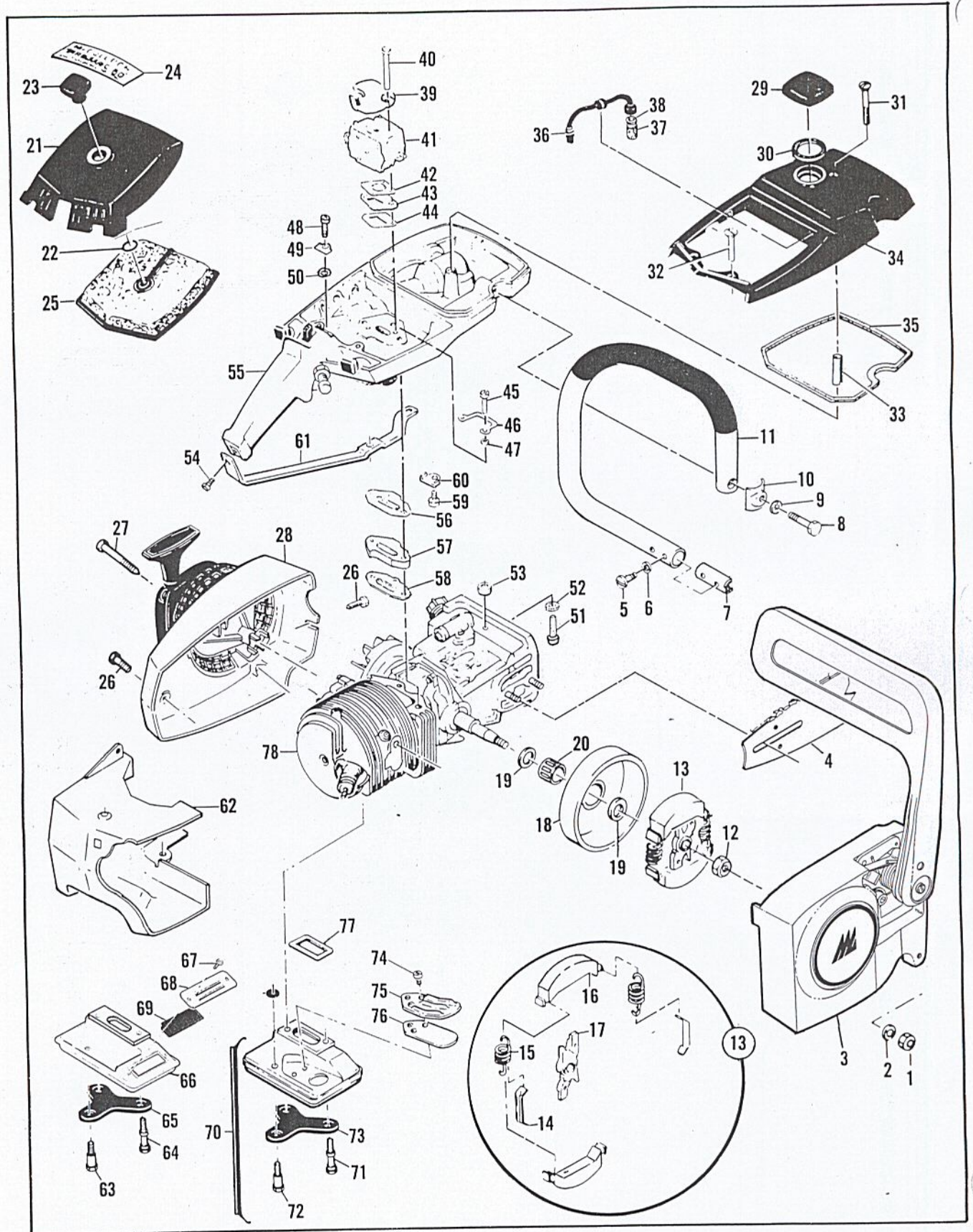


FIGURE 1. GENERAL

Figure 1. General

Item No.	Part Number	Description	Units Per Assy
1	110454	Nut - Hex 5/16 -24	2
2	100440	Washer - 5/16	2
3		Chain Brake (See Figure 5)	
4		Bar & Chain (See Figure 7)	
5	110865	Screw - Hex hd 10-24 x 7/8	2
6	100352	Washer - #10	2
7	89727	Retainer - Frame	1
8	102130	Screw - Hex hd 1/4-20 x 1-1/2	1
9	100153	Lockwasher - 1/4	1
10	63484	Clamp - Frame	1
11	87686	Frame & Grip Assy	1
12	86113	Nut - Hex 3/8-24 (L.H.)	1
13	87675	Clutch Assy	1
14	64583	. Retainer - Spring	2
15	83223	. Spring - Clutch	2
16	67233	. Shoe - Clutch	2
17	89438	. Rotor - Assy	1
18	86946	Kit Sprocket & Drum .375 (A, E, K)	1
	65370	Sprocket & Drum .354 (B, U)	1
19	86958	Shim - (A, E, K)	2
	61692	Shim - (B, U)	2
20	110330	Bearing - Sprocket	1
21	-68530A	Cover Assy - Air cleaner	1
22	110565	. Ring - Retainer	1
23	68529	. Knob - Cover	1
24	-91560	Nameplate	1
25	69922	Filter - Air	1
26	110741	Screw - Pan hd 10-24 x 1/2	2
27	87871	Screw - Special	3
28		Fan Housing & Starter Assy (See Figure 2)	
29	89322	Cap Assy - Fuel	1
30	69767	. Gasket	1
31	110402	Screw - Oval hd 12-24 x 2-3/8	1
32	103579	Screw - Fil hd 10-24 x 1	2
33	87840	Spacer	1
34	89425 q	Cover - Fuel tank	1
35	69345	Gasket - Cover	1
36	64848	Hose Assy - Fuel	1
37	63932	. Filter - Fuel	1
38	100440	. Washer	1
39	83204	Bracket Assy	1
40	103357	Screw - Hex hd 10-24 x 2-1/4	2

Item No.	Part Number	Description	Units Per Assy
41		Carburetor Assy (See Figure 4)	
42	86189	Gasket - Carburetor	1
43	84078	Spacer - Carburetor	1
44	84081	Gasket - Spacer	1
45	110570	Screw - Hex hd 12-24 x 1-3/8	2
46	68582	Lockplate	1
47	102115	Washer - #12	2
48	110568	Screw - Hex hd 12-24 x 1-1/8	1
49	69516	Lockplate	1
50	64856	Washer - Special	1
51	110713	Screw - Skt hd 10-24 x 7/8	1
52	100003	Washer - #10	1
53	69772	Spacer - Fuel tank	1
54	104816	Screw - Hex hd 10-24 x 1-1/4	1
55		Fuel Tank Assy (See Figure 3)	
56	84082	Gasket - Fuel tank	1
57	84079	Insulator - Fuel tank	1
58	84082	Gasket - Insulator	1
59	110566	Screw - Hex hd 10-24 x 5/8	1
60	68508	Lockplate	1
61	85007	Brace - Handle	1
62	85731	Shroud	1
63	67837	Screw - Muffler short	1
64	67838	Screw - Muffler long	2
65	83993	Lockplate	1
66	89428	Muffler Assy (B, U, E, K)	1
67	110662	. Screw - Pan hd 6-32 x 3/8 (B, U, E, K)	2
68	89432	. Cover - Screen (B, U, E, K)	1
69	89431	Screen - Spark arrester (B, U, E, K)	1
70	68863	Kit - Muffler (A)	1
71	67838	. Screw - Muffler long	2
72	67837	. Screw - Short	1
73	83993	. Lockplate	1
74	110563	. Screw - Skt hd 8-32 x 1/4	2
75	84780	. Stop - Reed (A)	1
76	84779	. Reed (A)	1
77	84007	Gasket - Muffler	1
78		Powerhead Assy (See Figure 5)	

PRO 10-10 Automatic

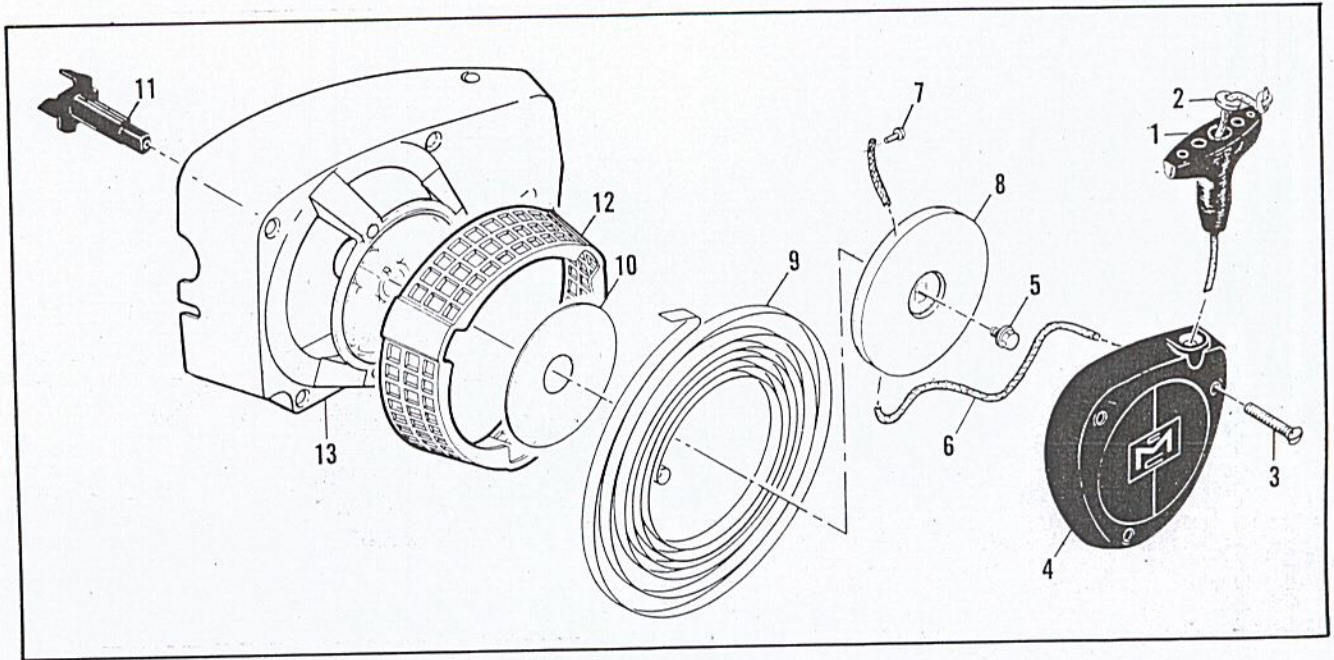


FIGURE 2. FAN HOUSING & STARTER ASSEMBLIES

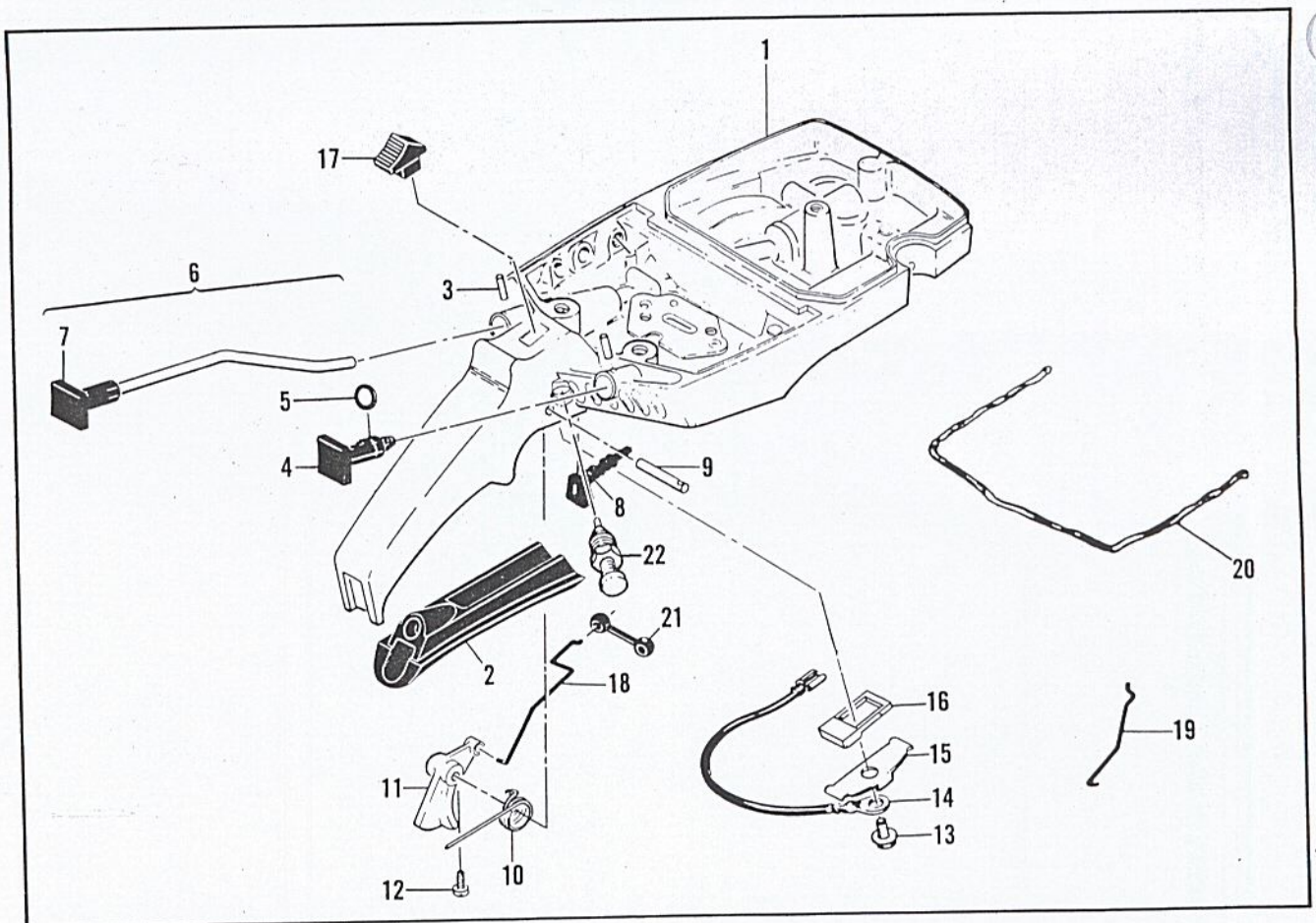


FIGURE 3. FUEL TANK ASSEMBLY

Figure 2. Fan Housing & Starter Assemblies

Item No.	No. Number	Description	Units Per Assy
1	91255.	Kit Starter Handle	1
2	*105490	. Washer - Starter handle	1
	87667	Fan Housing & Starter Assy	1
3	110646	. Screw - Oval hd 8-32 x 1-1/8	3
4	87672	. Cover - Starter	1
5	110341	. Screw - Hex hd 10-24 x 1/2	1

Item No.	No. Number	Description	Units Per Assy
6	68162	Rope - Starter	1
7	110470	. Rivet - Rope	1
8	85122	. Drum - Starter	1
9	87680	. Spring - Rewind	1
10	86053	. Shield - Spring	1
11	83748	. Shaft - Starter	1
12	**87674	. Guard - Sawdust	1
13	87693	Kit - Fan housing	1

*Contained in Kit, P/N 91255.
**Contained in Kit, P/N 87693.

Figure 3. Fuel Tank Assembly

Item No.	Part Number	Description	Units Per Assy
1	84183	Fuel Tank	1
2	89320	Grip - Handle	1
3	105673	Pin - Roll 3/32 x 9/16	2
4	69041	Button - Choke	1
5	105614	"O" Ring	1
6	64871	Button & Rod Assy	1
7	63044	. Button - Oiler	1
8	68522	Seal - Throttle rod	1
9	110378	Pin - Roll 3/16 x 15/16	1
10	87178	Spring - Throttle return	1
11	88796	Trigger	1

Item No.	Part Number	Description	Units Per Assy
12	110668	Screw - Fil hd 8-36 x 5/8	1
13	110706	Screw - Fil hd 8-18 x 1/2	1
14	62973A	Wire Assy - Stop switch	1
15	62451	Control - Switch	1
16	62950A	Base - Switch	1
17	68846	Button - Switch	1
18	85107	Rod - Throttle	1
19	69042	Rod - Choke	1
20	*69564	Seal - Airbox	1
21	69043	Snubber - Rod	1
22	85451	Latch Assy - Throttle	1

* Furnished on a 12-1/2 in. strip containing 9 beads (enough for 9 replacements)

PRO 10-10 Automatic

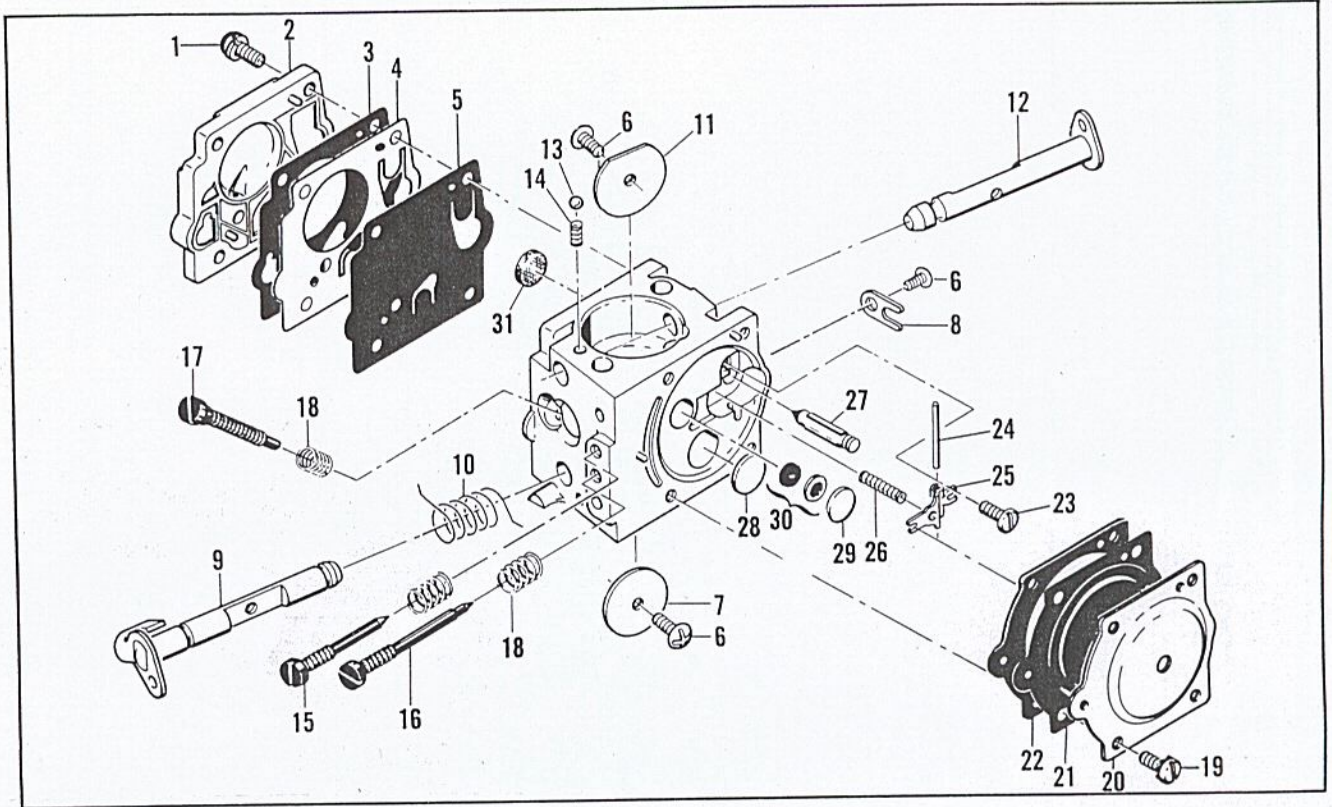


FIGURE 4. CARBURETOR ASSEMBLY

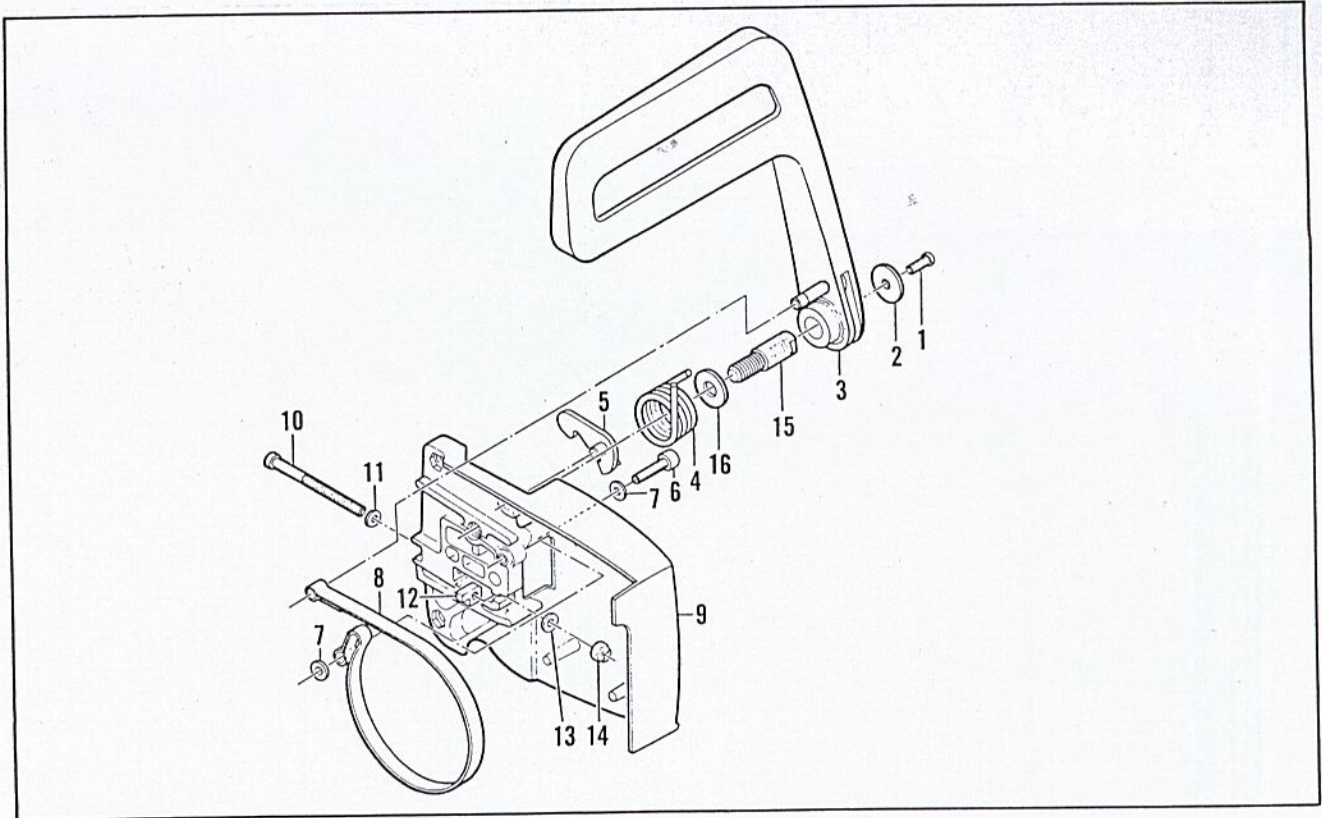


FIGURE 5. CHAIN BRAKE ASSEMBLY

Figure 4. Carburetor Assembly

Item No.	Part Number	Description	Units Per Assy
	85720	Carburetor Assy	1
1	67501	. Screw - Pump cover	4
2	83760	. Cover - Pump	1
3	*67495	. Gasket - Cover	1
4	*67498	. Diaphragm - Check valve	1
5	*83114	. Diaphragm - Fuel pump	1
6	*47690	. Screw - Plate	3
7	83762	. Plate - Throttle	1
8	67489	. Clip - Shaft	1
9	67486	. Shaft Assy - Throttle	1
10	*85981	. Spring - Throttle shaft	1
11	67490	. Plate - Choke	1
12	67488	. Shaft Assy - Choke	1
13	*100302	. Ball - Choke friction	1
14	*67504	. Spring - Choke friction	1
15	*68104	. Needle - High speed	1
16	*68105	. Needle - Idle	1
17	68106	. Screw - Idle speed	1

Item No.	Part Number	Description	Units Per Assy
18	*67502	. Spring - Needle	3
19	70798	. Screw - Diaphragm cover	4
20	83761	. Cover - Diaphragm	1
21	*67499	. Diaphragm - Metering	1
22	*67496	. Gasket - Diaphragm	1
23	*67500	. Screw - Lever pin	1
24	*67508	. Pin - Lever	1
25	*67509	. Lever - Metering	1
26	*67503	. Spring - Lever	1
27	*67491	. Valve - Needle	1
28	*71690	. Plug - 3/8	1
29	*69506	. Plug - 5/16	1
30	83758	. Kit - Valve & Seat Assy	1
31	*67507	. Screen - Fuel	1
	*67482	Gasket Set	
	83764	Repair Kit	

*Indicates parts included in Repair Kit, P/N 83764

Figure 5. Chain Brake Assembly

Item No.	Part Number	Description	Units Per Assy
	91278	Chain Brake Assy	1
1	102500	. Screw - Pan hd 10-24 x 1/2	1
2	91273	. Washer - Special	1
3	91251	. Lever Assy	1
4	91239	. Spring	1
5	91235	. Latch Assy	1
6	105738	. Screw - Skt hd 1/4-20 x 7/8	1
7	91274	. Washer - Special	2
8	91238	. Band	1

Item No.	Part Number	Description	Units Per Assy
9	91249	. Housing Assy	1
10	110527	. . Screw - Fil hd 10-24 x 2-3/4	1
11	110264	. . Washer - #10	1
12	61705	. . Nut - Bar adjusting	1
13	100002	. . Washer - #10	1
14	102067	. . Nut - Hex 10-24	1
15	91246	. Pin - Lever pivot	1
16	91245	. Washer - Thrust	1

PRO 10-10 Automatic

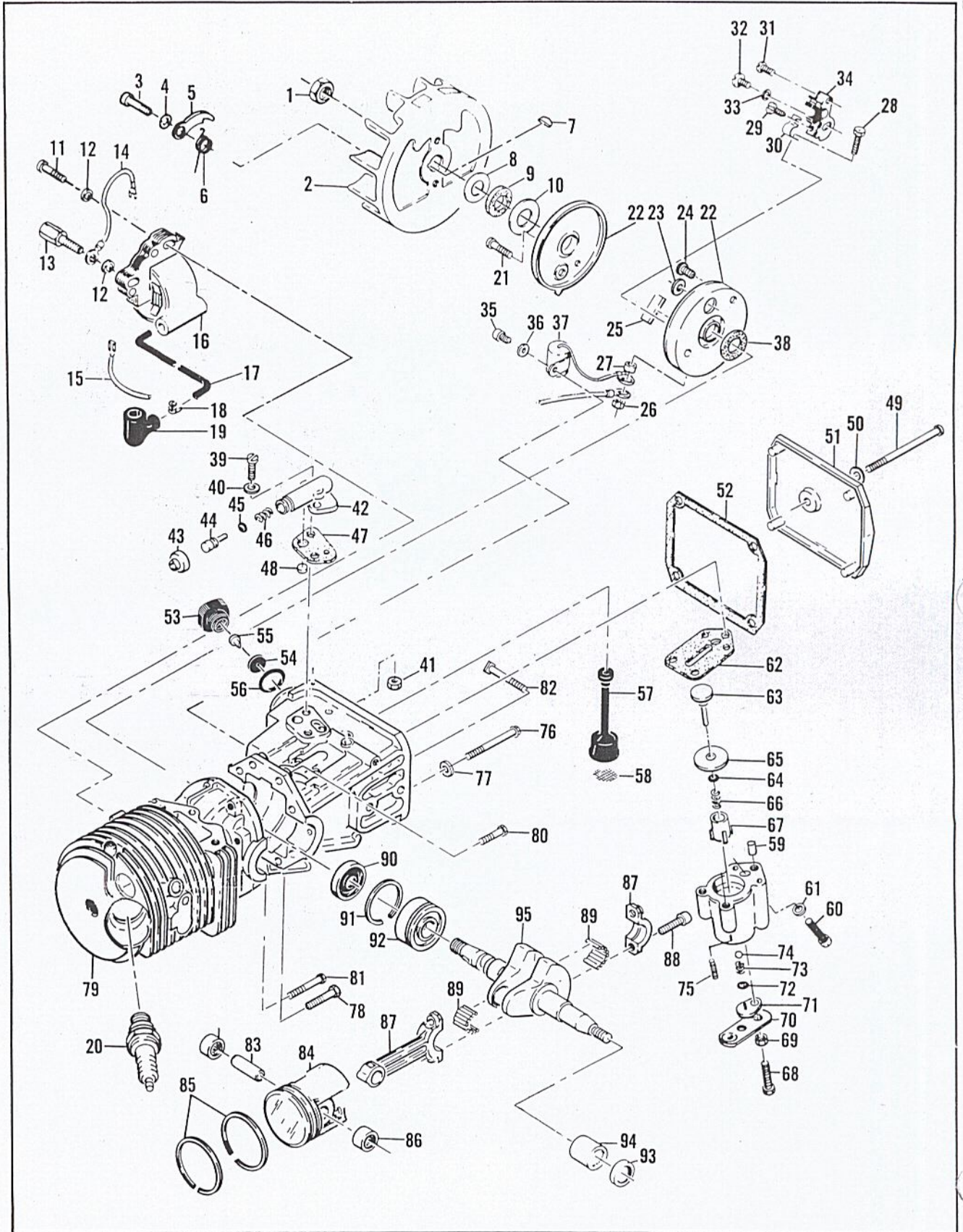


FIGURE 6. POWERHEAD ASSEMBLY

Figure 6. Powerhead Assembly

Item No.	Part Number	Description	Units Per Assy
1	110703	Nut - Hex 3/8-24	1
2	86068	Flywheel	1
3	88804	Screw - Pawl pivot	2
4	83241	Washer - Special	2
5	67546	Pawl - Starter	2
6	67545	Spring - Pawl	2
7	-100106	Key - Woodruff	1
8	67057	Washer - Thrust	1
9	67056	Seal - Breaker box cover	1
10	67054	Washer - Thrust	1
11	110127	Screw - Hex hd 10-24 x 7/8 (SEMS)	1
12	100002	Washer - #10	2
13	83512	Stud - Special	1
14	84686	Wire Assy - Ground	1
15	69344	Wire Assy - Primary	1
16	87246	Coil & Lamination	1
17	50120	. Wire Assy - Spark plug	1
18	55061	. . Connector	1
19	85758	. . Boot	1
20	63097	Spark Plug - AC CS 45T	1
21	110584	Screw - Pan hd 8-32 x 3/4	1
22	-91852	Kit - Breaker Box & Cover	1
23	91838	. Washer	1
24	110489	. Screw - Pan hd 6-32 x 7/16	1
25	54184	Wiper - Cam	1
26	100298	Nut - Hex 6-32	1
27	62365	Spacer - Breaker	1
28	110346	Screw - Hex hd 6-32 x 3/4	1
29	110706	Screw - Pan hd 8-18 x 1/2	1
30	83126	Strap - Conduction	1
31	110811	Screw - Pan hd 8-32 x 3/8	1
32	110445	Screw - Truss hd 8-32 x 3/8	1
33	105976	Washer - #8	1
34	88808	Breaker Assy	1
35	103672	Screw - Fil hd 8-32 x 1/2 (SEMS)	1
36	100080	Washer - #8	1
37	85358	Condenser	1
38	67051	Seal - Breaker box	1
39	-110632	Screw - Fil hd 8-32 x 1/2	2
40	-110613	Washer - #8	2
41	100955	Nut - Hex 8-32	1
42	84156	Housing - Pump	1
43	62262	Cap - Housing	1
44	62266	Plunger - Pump	1
45	105614	"O" Ring	1
46	66687	Spring - Pump	1
47	-91669	Gasket - Pump	1
48	-91668	Valve - Pump	1
49	110291	Screw - Pan hd 10-24 x 2-5/8	1

Item No.	Part Number	Description	Units Per Assy
50	110921	Washer - Sealing	1
51	86304	Cover - Oil tank	1
52	86306	Gasket - Cover	1
53	87270	Cap - Oil tank	1
54	87269	Retainer - Valve	1
55	86402	Valve - Check	1
56	101148	"O" Ring	1
57	-91672	Hose Assy - Oil	1
58	51506	. Screen - Hose	1
59	-91774	Sleeve	1
60	110865	Screw - Hex hd 10-24 x 7/8	1
61	100003	Washer - #10	1
62	89642	Gasket - Pulse pump	1
	89115	Pump Assy - Pulse	1
63	60260A	. Piston Assy - Pump	1
64	105603	. "O" Ring	1
65	86182	. Ring - Piston	1
66	60259	. Spring - Piston	1
67	62227	. Sleeve - Adjustment	1
68	110386	. Screw - Hex hd 8-32 x 1	1
69	100251	. Nut - Hex 8-32	1
70	89114	. Clamp - Pump	1
71	62407	. Cover - Outlet valve	1
72	106104	. "O" Ring	1
73	62885A	. Spring - Outlet valve	1
74	102809	. Ball	1
75	88645	. Screw - Set	1
76	62105	Screw Assy - Sealing	4
77	62842	. Washer - Sealing	4
78	110288	Screw - Hex hd 8-32 x 3/4	1
79	84113	Crankcase Assy	1
80	110288	. Screw - Hex hd 8-32 x 3/4	2
81	110618	. Screw - Hex hd 8-32 x 1-3/8	1
82	62065	. Bolt - Bar mounting	2
83	61649	Pin - Piston	1
84	69212	Piston Assy	1
85	62814	. Ring Set - Piston	1
86	103085	. Bearing - Needle	2
87	65401	Connecting Rod Assy	1
88	61627A	. Screw - Skt hd Special	2
89	63225	. Roller - Needle (Set of 20)	1
90	67906	Seal - Oil	1
91	63464	Ring - Snap	1
92	67905	Bearing - Ball	1
93	110260	Seal - Oil	1
94	104357	Bearing - Needle	1
95	87699	Crankshaft	1

**PRO 10-10
Automatic**

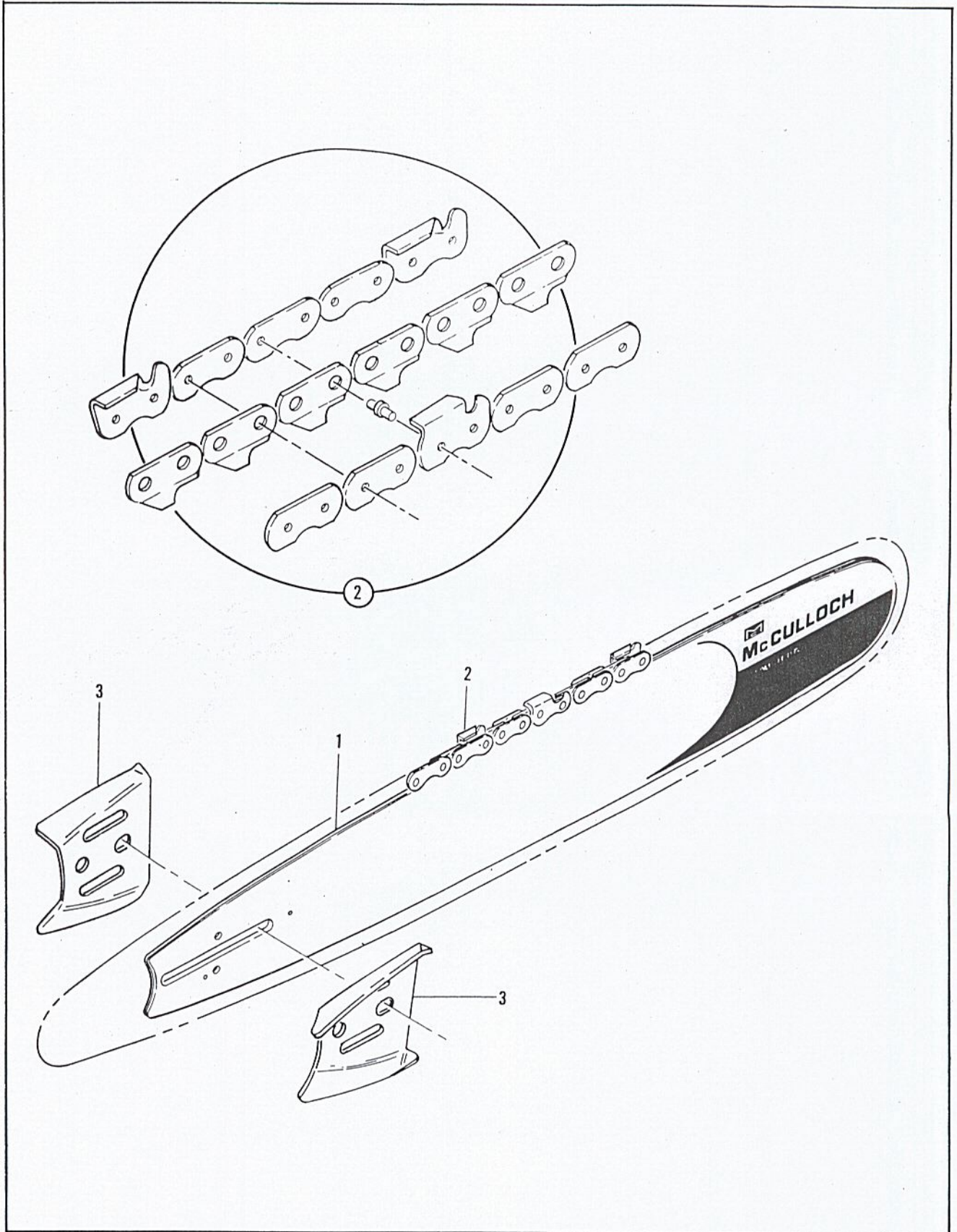


FIGURE 7. BAR & CHAIN ASSEMBLY

Figure 7. Bar & Chain Assembly

Item No.	Part Number	Description	Units Per Assy
1	89502	Bar (U)	1

Item No.	Part Number	Description	Units Per Assy
2	89521N	Chain Assy (U)	1

Accessories

Part Number	Description
69210	Piston Assy - .020 in. oversize
62813	Ring Set - Piston .020 in. oversize
69211	Piston Assy - .030 in. oversize
62812	Ring Set - Piston .030 in. oversize
86419	Guide - Timing
69191	Kit - Pressure Test Adapter
84453	Kit - Piston tool
86330	Kit - Spike

Part Number	Description
62827	Wrench
63746	Wrench
63432	Spark Plug - AC C42T
65778	Spark Plug - AC C41T
65409	Spark Plug - CH CJ6
65551	Spark Plug - CH CJ4
64330	Set - Bar Plates
85933	Kit - Screen Spark Arrestor (A)
89431	Kit - Screen Spark Arrestor (B,U,E,K)