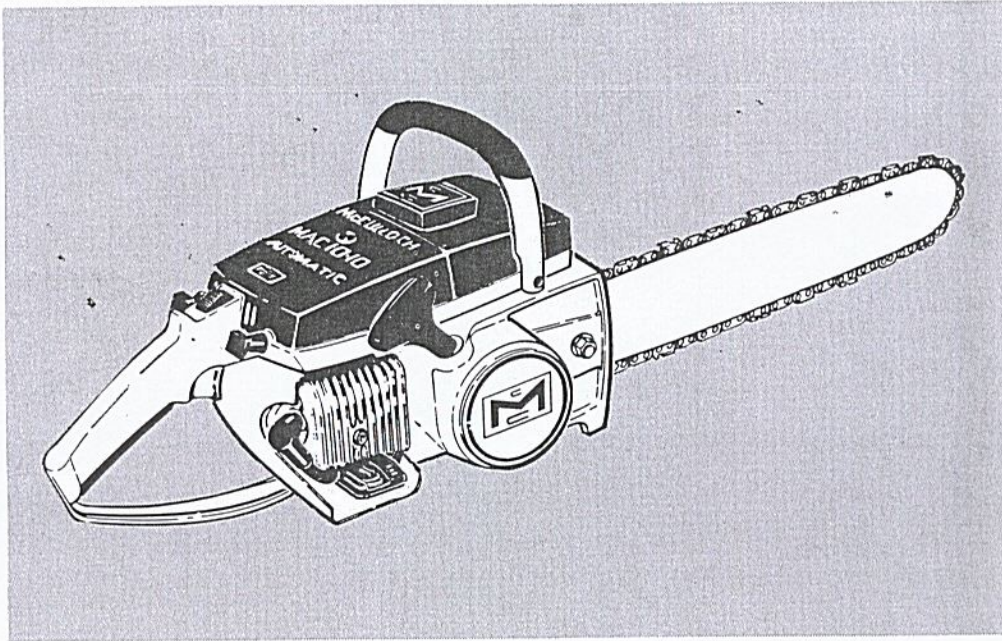


# MAC 10-10 AUTOMATIC Chain Saw

Serial Numbers Prefixed 11-

## ILLUSTRATED PARTS LIST



**JUNE, 1968**

The policy of McCulloch Corporation is one of continual improvement in design, manufacturing and engineering advancement wherever possible to assure still finer two-cycle power tools. Hence, specifications, equipment, colors, design and manufacturer's suggested list prices are subject to change without notice and McCulloch Corporation reserves the right to make such changes without prior notification or obligation to backfit or supply backfit components for units previously shipped from the factory.

	Page
Figure 1. Engine Exploded View - General	2
Figure 2. Clutch Guard & Starter Assembly	4
Figure 3. Fuel Tank Assembly	4
Figure 4. Carburetor Assembly	6
Figure 5. Powerhead Assembly	8
Figure 6. Bar and Chain Assembly	10



# McCULLOCH

# MAC 10-10 Automatic

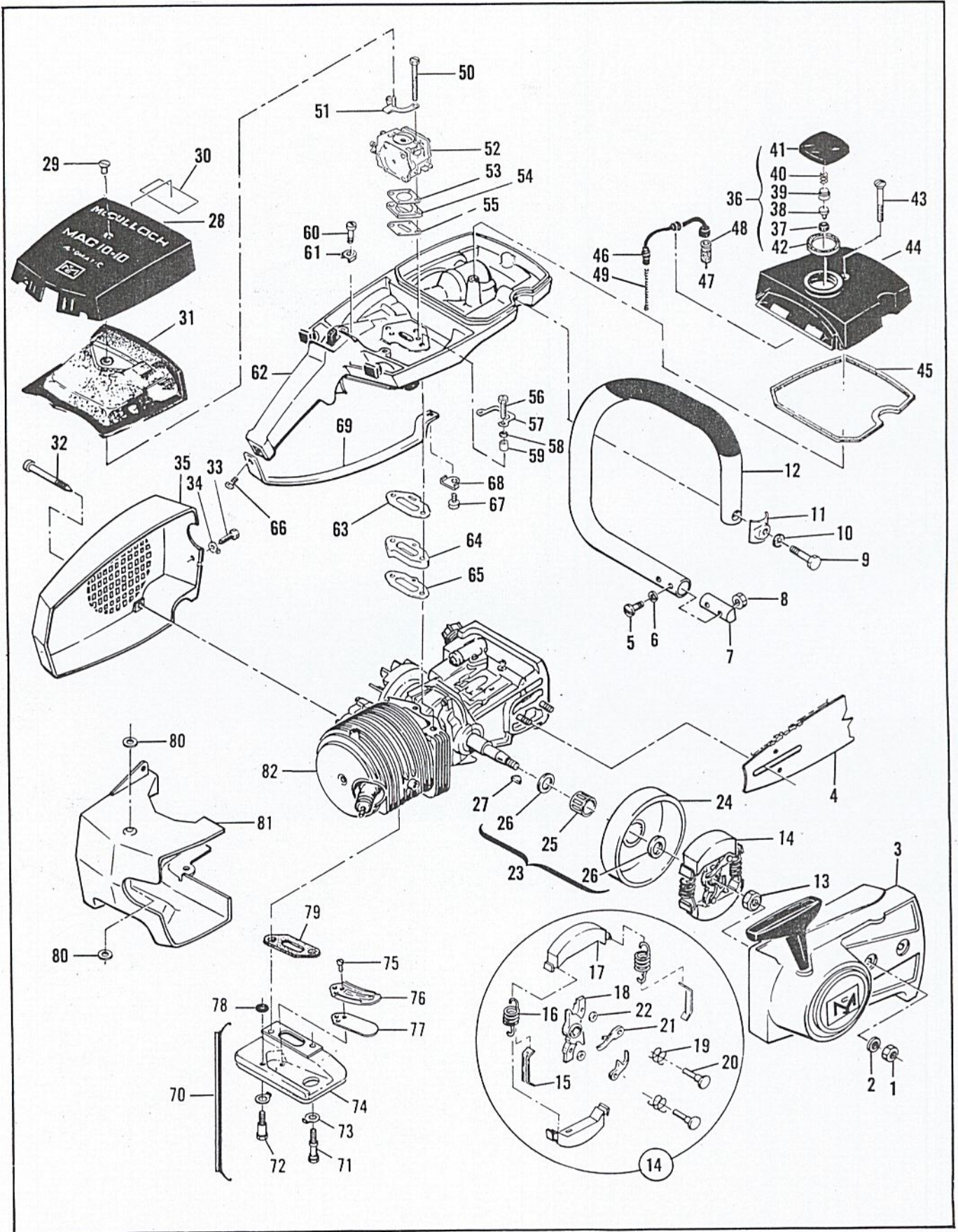


Figure 1. Engine Exploded View - General

## Figure 1. Engine Exploded View , General

Item No.	Part Number	Description	Units Per Assy
1	110454	Nut - Hex 5/16-24	2
2	100440	Washer - 5/16	2
3		Clutch Guard & Starter Assy (See Figure 2)	1
4		Bar & Chain (See Figure 6)	1
5	102761	Screw - Hex hd 10-24 x 7/8	2
6	100352	Washer - #10	2
7	61678	Plug - Nut retainer	1
8	101326	Nut - Hex 10-24	2
9	102130	Screw - Hex 1/4-20 x 1-1/2	1
10	100153	Lockwasher - 1/4	1
11	63484	Clamp - Frame	1
12	-68410	Frame & Grip Assy	1
13	103746	Nut - Hex 3/8-24	1
14	-68835	Clutch Assy	1
15	64583	. Retainer	2
16	66384	. Spring - Clutch	2
17	67233	. Shoe - Clutch	2
18	-68842	. Rotor Assy	1
19	-68837	. . Spring - Pawl	2
20	67112	. . Rivet	2
21	-68836	. . Pawl	2
22	65473	. . Washer - Special	2
23	65370	Kit - Sprocket, Drum & Bearing Assy	1
24	65368	. Sprocket & Drum Assy	1
25	110330	. Bearing	1
26	61692	. Shim	2
27	103879	Key - Woodruff	1
28	68445	Cover Assy - Air cleaner	1
29	65813	. Nut	1
30	68177	Plate - Instruction	1
31	66774	Filter - Air	1
32	62978	Screw - Special	3
33	-102762	Screw - 10-24 x 1/2	1
34	-28052	Lockplate	1
35	-68544	Housing - Fan	1
36	-68531	* Cap Assy - Fuel	1
37	-68533	. Plug	1
38	63041	. Valve	1
39	62316	. Guide	1
40	63040	. Spring	1

Item No.	Part Number	Description	Units Per Assy
41	-68532	. Body	1
42	-68653	. Gasket	1
43	110334	Screw - Oval hd 12-24 x 1-3/4	1
44	68442	Cover - Fuel tank	1
45	62102	Gasket - Cover	1
46	64848	Hose Assy - Fuel	1
47	63932	. Filter - Fuel	1
48	100440	. Washer	1
49	67944	Spring - Hose stiffener	1
50	110551	Screw - Hex hd 10-24 x 2-1/8	2
51	-68807	Bracket Assy	1
52		Carburetor Assy (See Figure 4)	1
53	68132	Gasket - Carburetor	1
54	66678	Spacer - Carburetor	1
55	68131	Gasket - Spacer	1
56	110553	Screw - Hex hd 10-24 x 1-3/8	2
57	-68582	Lockplate	1
58	100003	Washer - #10	2
59	66189	Sleeve	2
60	110516	Screw - Hex hd 10-24 x 1-1/8	1
61	-68523	Lockplate	1
62		Fuel Tank Assy (See Figure 3)	1
63	68130	Gasket - Fuel tank	1
64	-66659	Insulator - Fuel tank	1
65	68130	Gasket - Insulator	1
66	106078	Screw - Hex hd 10-24 x 7/16	1
67	102289	Screw - Hex hd 10-24 x 3/4	1
68	-68508	Lockplate	1
69	-68845	Brace - Handle	1
70	-68863	Kit - Muffler	1
71	67838	. Screw - Muffler long	2
72	67837	. Screw - Muffler short	1
73	67836	. Lockplate	3
74	-68838	. Muffler Assy	1
75	-110563	. . Screw - Skt hd 8-32 x 1/4	2
76	-64784	. . Stop - Reed	1
77	-64785	. . Reed	1
78	-63993	Gasket - Muffler screw	1
79	-68149	Gasket - Muffler	1
80	-68581	Insulator - Shroud	2
81	67910	Shroud	1
82		Powerhead Assy (See Figure 5)	1

\*Fuel cap assemblies and their component parts for engines furnished with two-piece fuel caps (identified by rivets in the fuel cap cover), should be ordered from the following parts list.

Part Number	Description	Units Per Assy
67266	Cap Assy - Fuel	1
110510	. Rivet	2
67267	. Cover	1
63040	. Spring	1
62316	. Guide	1
63041	. Valve	1
64761	. Body	1
65671	. Gasket	1

Part numbers which have changed since the previous printing of the illustrated parts list covering this model, are indicated by a dash (-) preceding the new part number. The dash precedes part numbers changed by a letter suffix as well as those changed to an entirely new number.

# MAC 10-10 Automatic

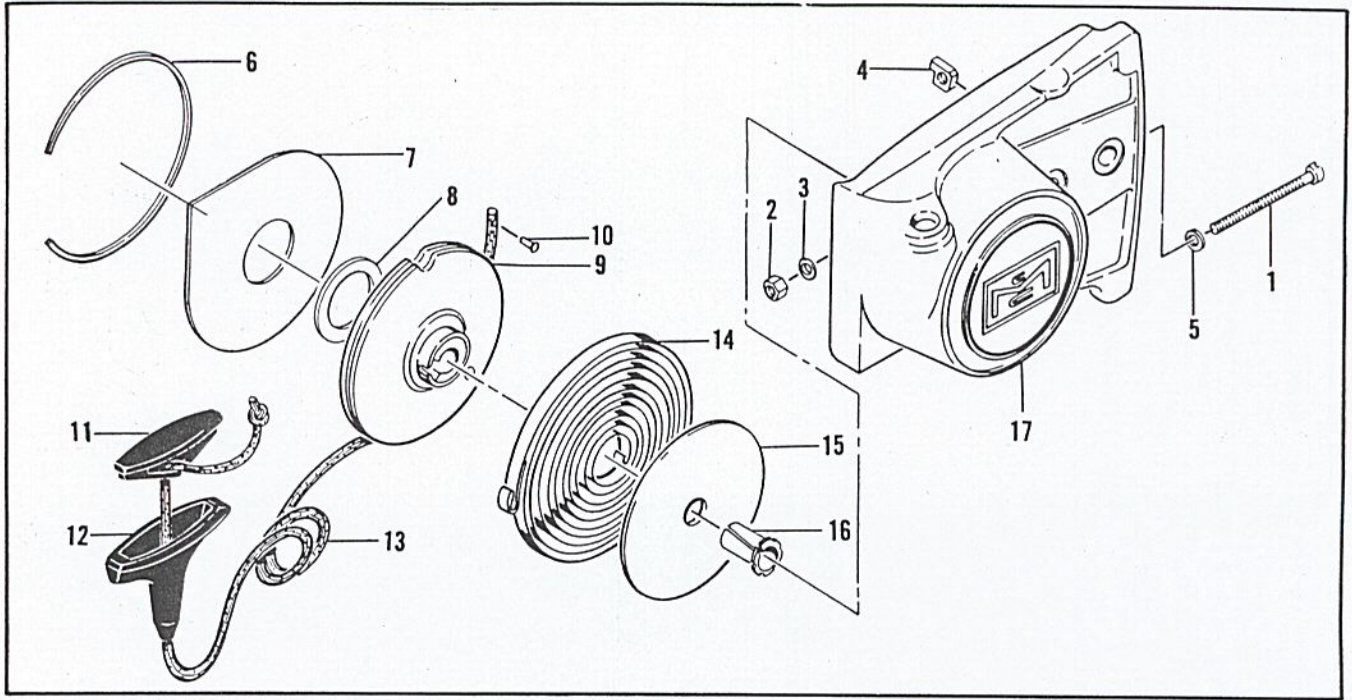


Figure 2. Clutch Guard and Starter Assembly

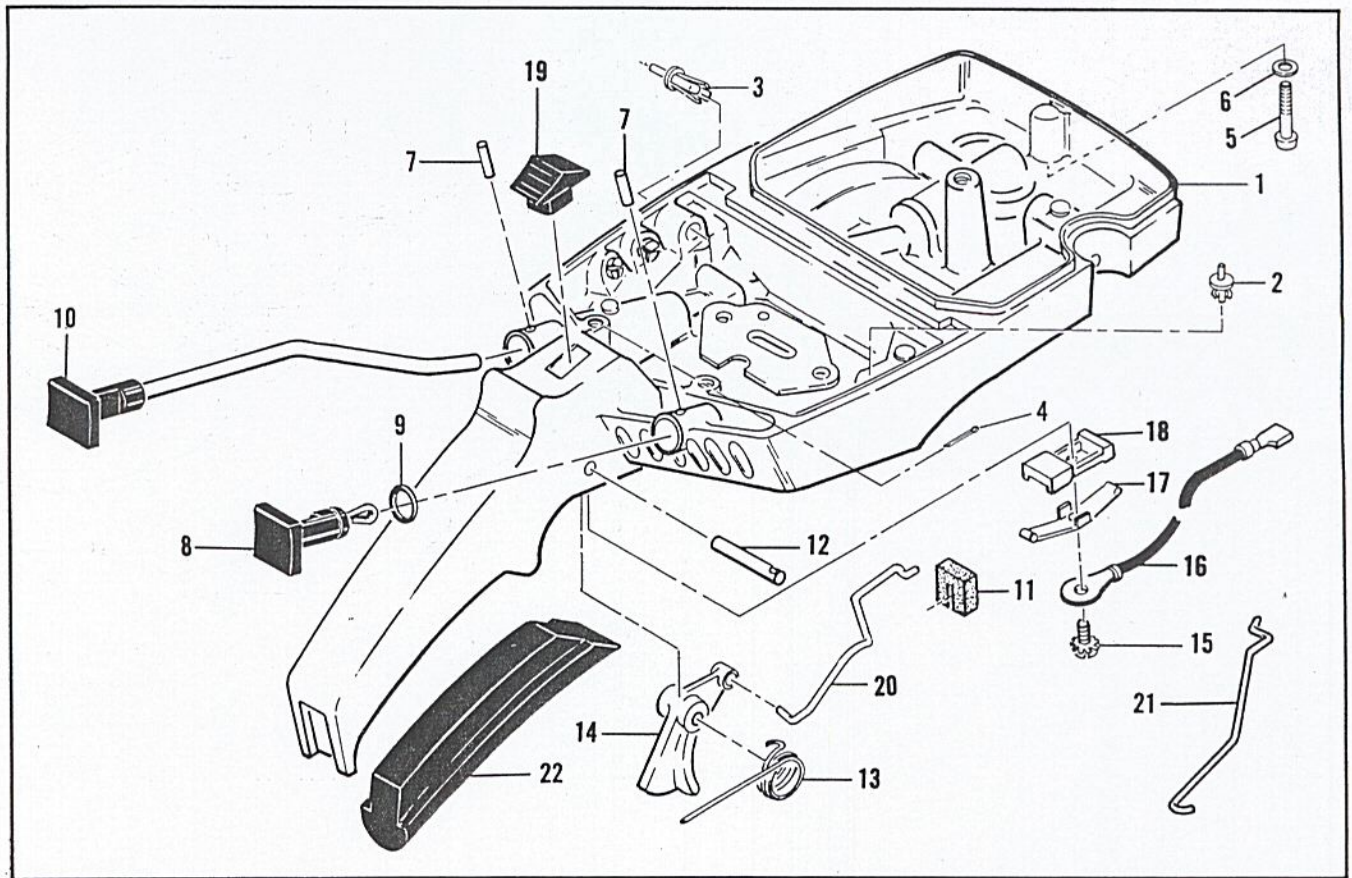


Figure 3. Fuel Tank Assembly

Figure 2. Clutch Guard and Starter Assembly

Item No.	Part Number	Description	Units Per Assy
	67206	Clutch Guard Assy	1
1	102144	. Screw - Bar adjusting	1
2	102067	. Nut - Hex #10	1
3	110387	. Washer - Wave	1
4	61705	. Nut - Bar adjusting	1
5	101174	. Washer - #10	1
6	67205	. Retainer - Shield	1
7	63985	. Shield - Dust	1
8	63986	. Washer - Thrust	1

Item No.	Part Number	Description	Units Per Assy
9	-68695	. Drum - Starter	1
10	110470	. Rivet - Starter rope	1
11	62191A	. Insert - Handle	1
12	62190A	. Handle - Starter	1
13	67125	. Rope - Starter	1
14	-68626	. Spring - Rewind	1
15	63987	. Shield - Spring	1
16	61635A	. Bushing - Nyliner	1
17	67207	. Guard - Clutch	1

Figure 3. Fuel Tank Assembly

Item No.	Part Number	Description	Units Per Assy
1	-68683	Fuel Tank Assy	1
2	105788	. Rivet	2
3	110531	. Rivet	3
4	100010	. Cotter Pin	1
5	-102660	. Screw - Skt hd 10-24 x 7/8	1
6	-100003	. Washer - #10	1
7	105673	Pin - Roll 3/32 x 9/16	2
8	-68517	Button - Choke	1
9	-101056	"O" Ring	1
10	64871	Button & Rod Assy	1
11	67989	Seal - Throttle rod	1

Item No.	Part Number	Description	Units Per Assy
12	110378	Pin - Roll 3/16 x 1-1/8	1
13	65734	Spring - Throttle return	1
14	67224	Trigger	1
15	103672	Screw - Fil hd 8-32 x 1/2 (Sems)	1
16	62973A	Wire Assy - Stop switch	1
17	62451	Contact - Switch	1
18	62950A	Base - Switch	1
19	62951	Button - Switch	1
20	68170	Rod - Throttle	1
21	67355	Rod - Choke	1
22	-64872	Grip - Handle	1

# MAC10-10 Automatic

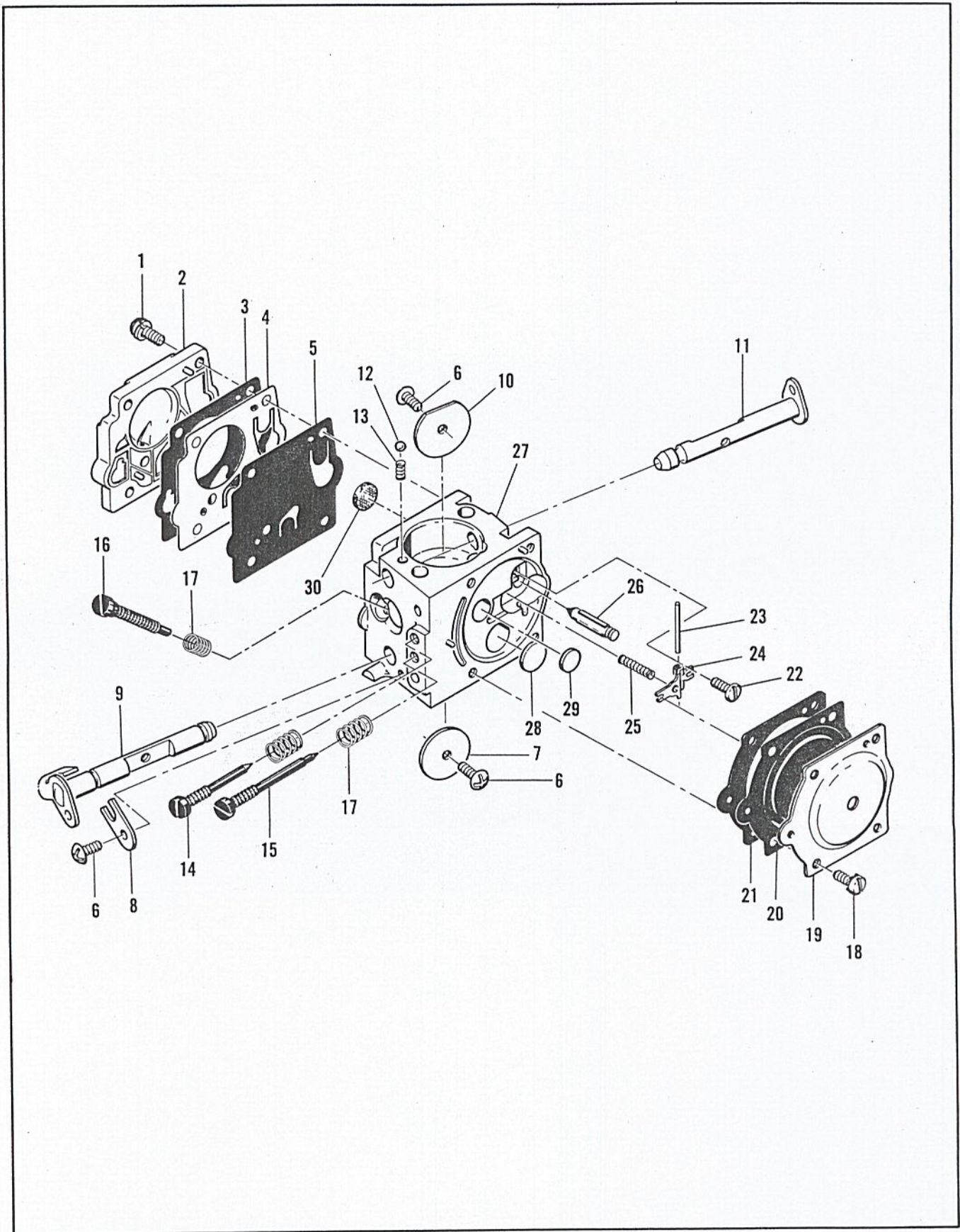


Figure 4. Carburetor Assembly

**Figure 4. Carburetor Assembly**

Item No.	Part Number	Description	Units Per Assy
	67876	Carburetor Assy	1
1	67501	. Screw - Pump cover	4
2	67484	. Cover - Pump	1
3	*67495	. Gasket - Cover	1
4	*67498	. Diaphragm - Check valve	1
5	*67497	. Diaphragm - Fuel pump	1
6	*47690	. Screw - Plate	3
7	67487	. Plate - Throttle	1
8	67489	. Clip - Shaft	1
9	67486	. Shaft Assy - Throttle	1
10	67490	. Plate - Choke	1
11	67488	. Shaft Assy - Choke	1
12	*100302	. Ball - Choke friction	1
13	*67504	. Spring - Choke	1
14	*68104	. Needle - High speed	1
15	*68105	. Needle - Idle	1
16	*68106	. Screw - Idle adjustment	1

Item No.	Part Number	Description	Units Per Assy
17	*67502	. Spring - Needle	3
18	70798	. Screw - Diaphragm cover	4
19	67485	. Cover - Diaphragm	1
20	*67499	. Diaphragm - Metering	1
21	*67496	. Gasket - Diaphragm	1
22	*67500	. Screw - Lever pin	1
23	*67508	. Pin - Lever	1
24	*67509	. Lever - Metering	1
25	*67503	. Spring - Lever	1
26	*67491	. Valve - Needle	1
27	68103	. Body Assy - Carburetor	1
28	*67492	. . Plug - 3/8	1
29	*67493	. . Plug - 5/16	1
30	*67507	. . Screen - Fuel	1
	*67482	Gasket Set	
	68107	Repair Kit	

\*Indicates parts included in Repair Kit, P/N 68107

# MAC 10-10 Automatic

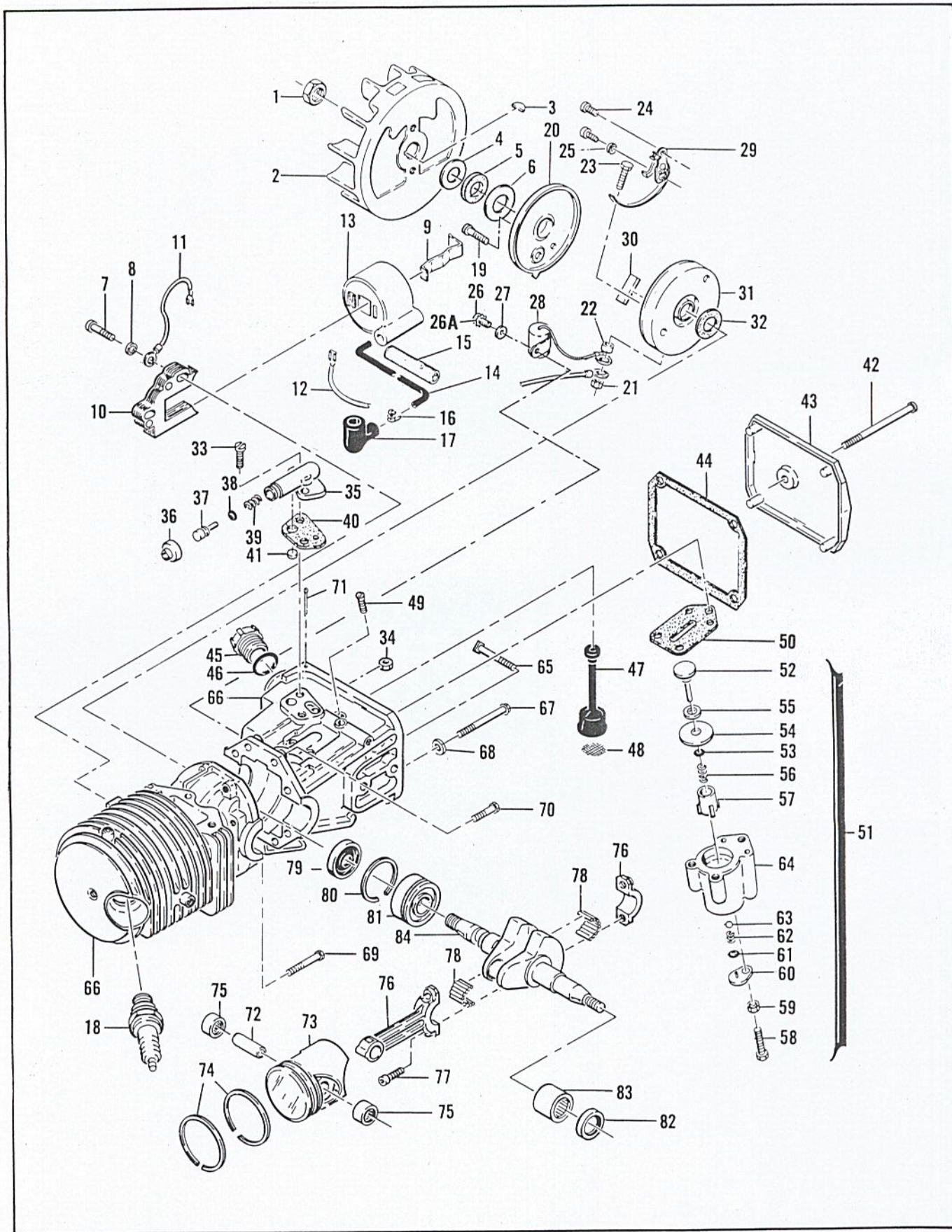


Figure 5. Powerhead Assembly



## Figure 5. Powerhead

Item No.	Part Number	Description	Units Per Assy
1	101391	Nut - Hex 3/8-24	1
2	61737A	Flywheel Assy	1
3	103879	Key - Woodruff	1
4	67057	Washer - Thrust	1
5	67056	Seal	1
6	67054	Washer - Thrust	1
7	- 110127	Screw - Hex hd 10-24 x 7/8 (SEMS)	2
8	100003	Washer - #10	2
9	51253	Retainer - Coil	1
10	68164	Lamination Assy	1
11	62819	Wire Assy - Ground	1
12	62818A	Wire Assy - Primary	1
13	62927A	Coil & Terminal Assy	1
14	67300	. Wire & Sleeve Assy - Spark plug	1
15	67127	. . Sleeve - Spark plug wire	1
16	62932	. . Connector	1
17	62926	. . Boot	1
18	63097	Spark Plug	1
19	110349	Screw - Rd hd 8-32 x 3/4	1
20	62362	Cover - Breaker box	1
21	100298	Nut - Hex 6-32	1
22	62365	Spacer - Breaker screw	1
23	110346	Screw - Hex hd 6-32 x 3/4	1
24	100934	Screw - Rd hd 8-32 x 3/8	2
25	105976	Washer - #8	1
26	- 100414	Screw - Fil hd 8-32 x 1/2	1
26A	- 100252	Lockwasher - #8	1
27	100080	Washer - #8	1
28	61650	Condenser	1
29	62363	Breaker Assy	1
30	54184	Wiper	1
31	62361	Box - Breaker	1
32	67051	Seal	1
33	100414	Screw - Hex hd 8-32 x 1/2	2
34	100955	Nut - Hex 8-32	1
35	62261A	Housing - Pump	1
36	62262	Cap - Housing	1
37	62266	Plunger - Pump	1
38	101056	"O" Ring	1
39	66687	Spring	1
40	62230	Gasket	1
41	62909	Valve	1

Item No.	Part Number	Description	Units Per Assy
42	110291	Screw - Pan hd 10-24 x 2-3/4	1
43	63072	Cover - Oil tank	1
44	62116	Gasket - Cover	1
45	57129A	Cap - Oil tank	1
46	101148	"O" Ring	1
47	62123B	Hose Assy - Oil	1
48	51506	. Screen - Hose	1
49	110333	Screw - Oval hd 8-32 x 1/2	3
50	62274	Gasket	1
51	62320C	Pump Assy - Pulse	1
52	60260A	. Piston Assy - Pump	1
53	104001	. "O" Ring	1
54	60263	. Ring - Piston	1
55	60937	. Washer - Teflon	1
56	60259	. Spring - Piston oiler	1
57	62227	. Sleeve - Oiler adjustment	1
58	110386	. Screw - Hex hd 8-32 x 1	1
59	100251	. Nut - Hex 8-32	1
60	63858	. Cover Assy - Outlet valve	1
61	106104	. "O" Ring	1
62	62885A	. Spring - Outlet valve	1
63	102809	. Ball	1
64	62321B	. Body Assy - Pump	1
65	62065	Bolt - Bar mounting	2
66	67908	Crankcase Assy	1
67	62105	. Screw Assy - Sealing	4
68	62842	. . Washer - Sealing	4
69	110289	. Screw Assy - 8-32 x 1-1/8	1
70	110288	. Screw Assy - 8-32 x 3/4	3
71	100010	. Pin - Cotter	1
72	61649	Pin - Piston	1
73	- 68226	Piston Assy	1
74	62814	. Ring Set - Piston	1
75	103512	. Bearing - Needle	2
76	65401	Connecting Rod Assy	1
77	61627A	. Screw - Skt hd 8-36 x 1/2	2
78	63225	. Roller - Needle (set of 20)	1
79	67906	Oil Seal	1
80	63464	Ring - Snap	1
81	67905	Bearing - Ball	1
82	65747	Oil Seal	1
83	104357	Bearing - Needle	1
84	63336	Crankshaft	1

# MAC 10-10 Automatic

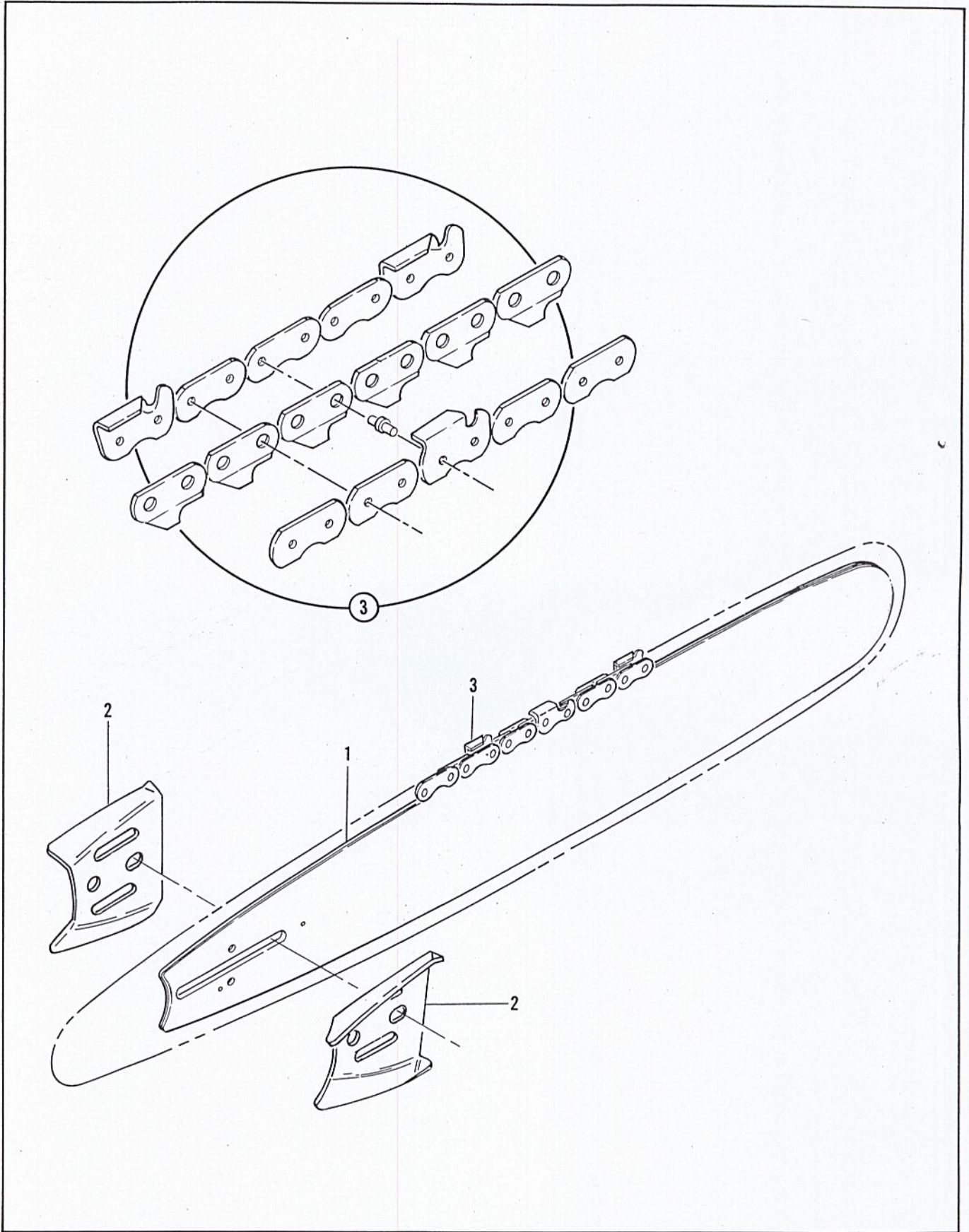


Figure 6. Bar and Chain Assemblies

Figure 6. Bar and Chain Assemblies

Item No.	Part Number	Description	Units Per Assy
1	62512	Bar - Bonded	
	63541	Bar - Solid (Alt.)	

Item No.	Part Number	Description	Units Per Assy
2	64325	Plate - Bar protector	2
3	62556M	Chain Assy	

Accessories

Part Number	Description
67943	Manual - Owner's
62827	Wrench
63746	Kit - Wrench
63341A	Kit - Spike
66316	Kit - Wrap around frame
65712	Guide - Timing
63432	Spark Plug - AC CS 42T
65778	Spark Plug - AC CS 41T
- 68224	Piston Assy - 0.020 in. oversize

Part Number	Description
62813	. Ring Set - Piston 0.020 in. oversize
103512	. Bearing - Needle (2)
- 68225	Piston Assy - 0.030 in. oversize
62812	. Ring Set - Piston 0.030 in. oversize
103512	. Bearing - Needle (2)
64330	Bar Plate Set
63084	Manual - Shop