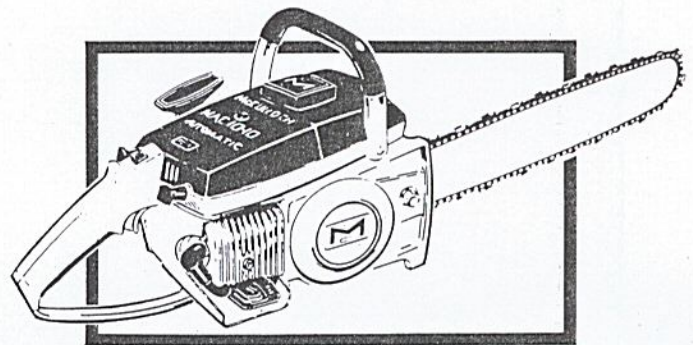


Models	Serial Number Prefix
<u>Manual</u>	
600001	10-
600001A	11-
600001B	11-
600001D	11-
600001G	11-
600001H	11-
600001J	11-
600001U	11-
<u>Automatic</u>	
600002	10-
600002B	11-
600002D	11-
600002J	11-
600002U	11-

MAC 10-10 MAC 10-10 A Chain Saws

ILLUSTRATED PARTS LIST



MAC 10-10 (Manual) and MAC 10-10A (Automatic) chain saws are identified by a model number (Manual - 600001 and Automatic - 600002), and followed by a suffix letter (A, B, D, G, etc.) stamped on the identification plate attached to the saw. Suffix letters denote variations in parts or assemblies in manufacture of the saw.

Part numbers listed in this I.P.L. , and followed by a suffix letter or letters indicate the part is used only on the model indicated by that letter or letters.

Example: P/N 87836, Nameplate (G, H)
(The nameplate in this example is used only on Models 600001G and 600001H)

Part numbers listed without suffix letter or letters apply to all models of the MAC 10-10 and MAC 10-10A saw unless specifically noted otherwise.

I.P.L. 87798 supersedes and cancels I.P.L. 85733.

JULY 1972

	Page
Figure 1. General	2
Figure 2. Fan Housing & Starter Assemblies	4
Figure 3. Fuel Tank Assembly	4
Figure 4. Carburetor Assembly ...	6
Figure 5. Powerhead Assembly ...	8
Figure 6. Bar & Chain Assembly ..	10

MAC 10-10 MAC 10-10A

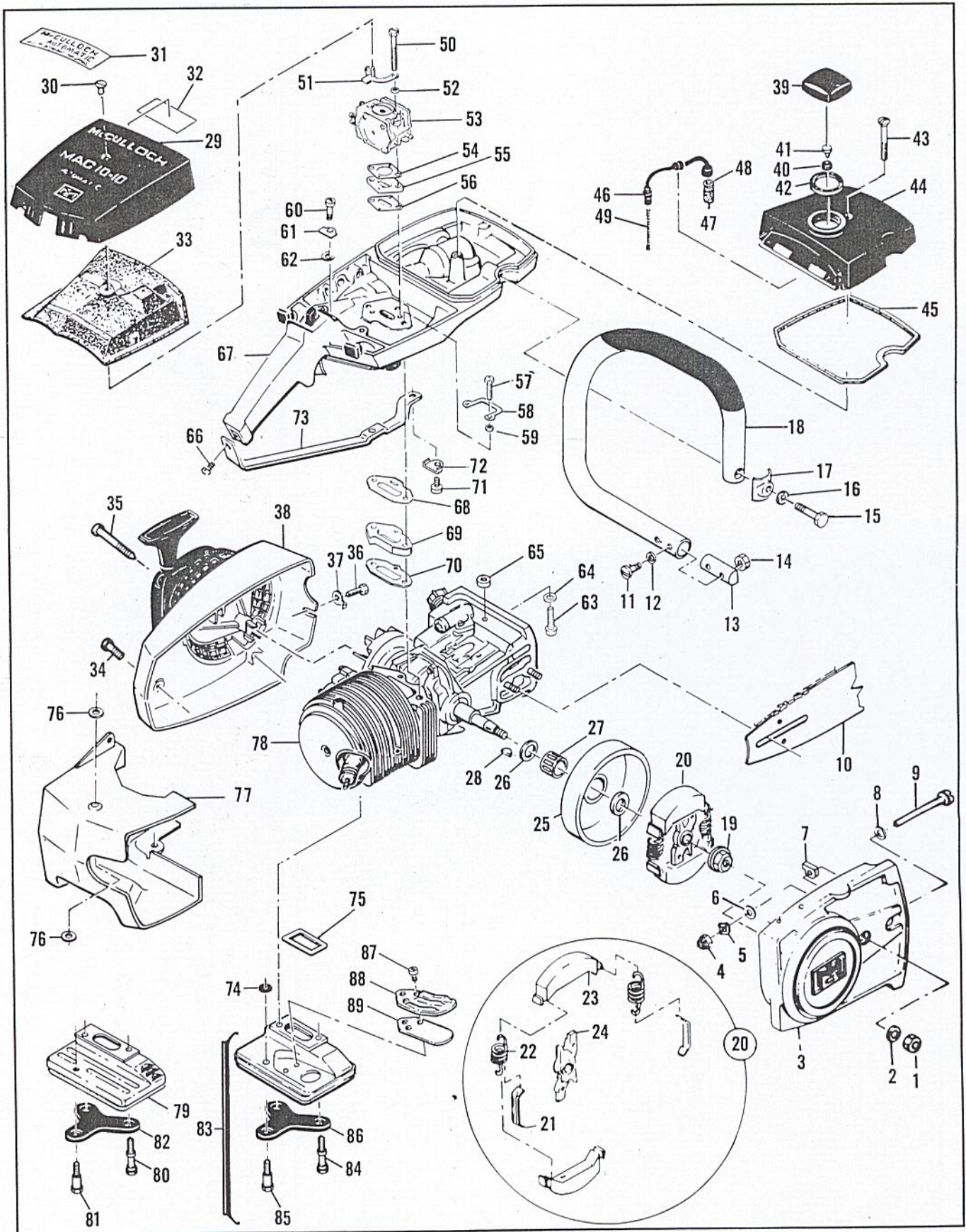


Figure 1. General

FIGURE 1. GENERAL

Item No.	Part Number	Description	Units Per Assy
1	110454	Nut - Hex 5/16-24	2
2	100440	Washer - 5/16	2
3	84530	Clutch Guard Assy	1
4	102067	. Nut - Hex 10-24	1
5	110387	. Washer - Wavey	1
6	100002	. Washer - #10	1
7	61705	. Nut - Bar adjustment	1
8	110264	. Washer - #10	1
9	102144	. Screw - Bar adjustment	1
10		Bar & Chain Assy (See Figure 6)	
11	-110865	Screw - Hex hd 10-24 x 7/8	2
12	100352	Washer - #10	2
13	61678	Plug - Nut retainer (S/N's prefixed 10-)	1
	-87897	Plug - Nut retainer (S/N's prefixed 11-)	1
14	101326	Nut - Hex 10-24 (S/N's prefixed 10-)	2
15	102130	Screw - Hex hd 1/4-20 x 1-1/2	1
16	100153	Lockwasher - 1/4	1
17	63484	Clamp - Frame	1
18	-87686	Frame & Grip Assy	1
19	110703	Nut - Hex 3/8-24 R. H. (S/N's prefixed 10-)	1
	-86113	Nut - Hex 3/8-24 L. H. (S/N's prefixed 11-)	1
20	-87675	Clutch Assy	1
21	64583	. Retainer - Spring	2
22	83223	. Spring - Clutch	2
23	67233	. Shoe - Clutch	2
24	-87676	. Rotor Assy	1
25	65370	Kit - Sprocket & Drum Assy	1
26	61692	. Shim	2
27	110330	Bearing	1
28	103879	Key - Woodruff (S/N's prefixed 10-)	1
29	① 69033	Cover Assy - Air cleaner	1
	-65866	Cover Assy - Air cleaner (Model 600001 G, H)	1
30	65813	. Nut - Cover	1
31	-87836	Nameplate (Model 600001 G, H)	1
32	① 68177	Plate - Instruction	1
33	66774	Filter - Air	1
34	-110741	Screw - Pan hd 10-24 x 1/2	1
35	62978	Screw - Special	3
36	102762	Screw - Hex hd 10-24 x 1/2	1
37	69890	Lockplate	1
38		Fan Housing & Starter Assy (See Figure 2)	
39	-86451	Cap Assy - Fuel	1
40	-86453	. Plug	1
41	-53766A	. Valve	1
42	69767	. Gasket	1

Item No.	Part Number	Description	Units Per Assy
43	110334	Screw - Oval hd 12-24 x 1-3/4	1
44	① 69684	Cover - Fuel tank	1
	-63656	Cover - Fuel tank (Model 600001 G, H)	1
45	69345	Gasket - Cover	1
46	64848	Hose Assy - Fuel	1
47	63932	. Filter - Fuel	1
48	100440	. Washer	1
49	① 67944	Spring - Hose	1
50	103357	Screw - Hex hd 10-24 x 2-1/4	2
51	68807	Bracket Assy	1
52	24236	Washer - Special	2
53		Carburetor Assy (See Figure 4)	
54	-86189	Gasket - Carburetor	1
55	84078	Spacer - Carburetor	1
56	84081	Gasket - Spacer	1
57	110570	Screw - Hex hd 12-24 x 1-3/8	2
58	68582	Lockplate	1
59	102115	Washer - #12	2
60	110568	Screw - Hex hd 12-24 x 1-1/8	1
61	69516	Lockplate	1
62	64856	Washer - Special	1
63	110713	Screw - Skt hd 10-24 x 7/8	1
64	100003	Washer - #10	1
65	69772	Spacer - Fuel tank	1
66	106078	Screw - Pan hd 10-24 x 7/16	1
67		Fuel Tank Assy (See Figure 3)	
68	84082	Gasket - Fuel tank	1
69	84079	Insulator - Fuel tank	1
70	84082	Gasket - Insulator	1
71	110566	Screw - Hex hd 12-24 x 5/8	1
72	68508	Lockplate	1
73	85007	Brace - Handle	1
74	63993	Gasket - Muffler screw	1
75	84007	Gasket - Muffler	1
76	68581	Insulator - Shroud	2
77	85731	Shroud	1
78		Powerhead (See Figure 5)	
79	② 68512	Muffler Assy	1
80	67838	. Screw - Muffler long	1
81	67837	. Screw - Muffler short	1
82	83993	. Lockplate	1
83	③ -68863	Kit - Muffler	1
84	-67838	. Screw - Muffler long	1
85	-67837	. Screw - Muffler short	1
86	-83993	. Lockplate	1
87	-110563	. Screw - Skt hd 8-32 x 1/4	2
88	-84780	. Stop - Reed	1
89	-84779	. Reed	1

① S/N's prefixed 10-, all models
S/N's prefixed 11-, Manual Model 600001 A, B, D, J, U
S/N's prefixed 11-, Automatic Model 600002, all models

② S/N's prefixed 10-, all models
S/N's prefixed 11-, Manual Model 600001 A, D, G, H, U
S/N's prefixed 11-, Automatic Model 600002 D, U

③ S/N's prefixed 11-, Manual Model 600001 B, J
S/N's prefixed 11-, Automatic Model 600002 B, J

Part numbers which have changed since the previous printing of the illustrated parts list covering these saws, are indicated by a dash (-) preceding the new part number.

MAC 10-10
MAC 10-10A

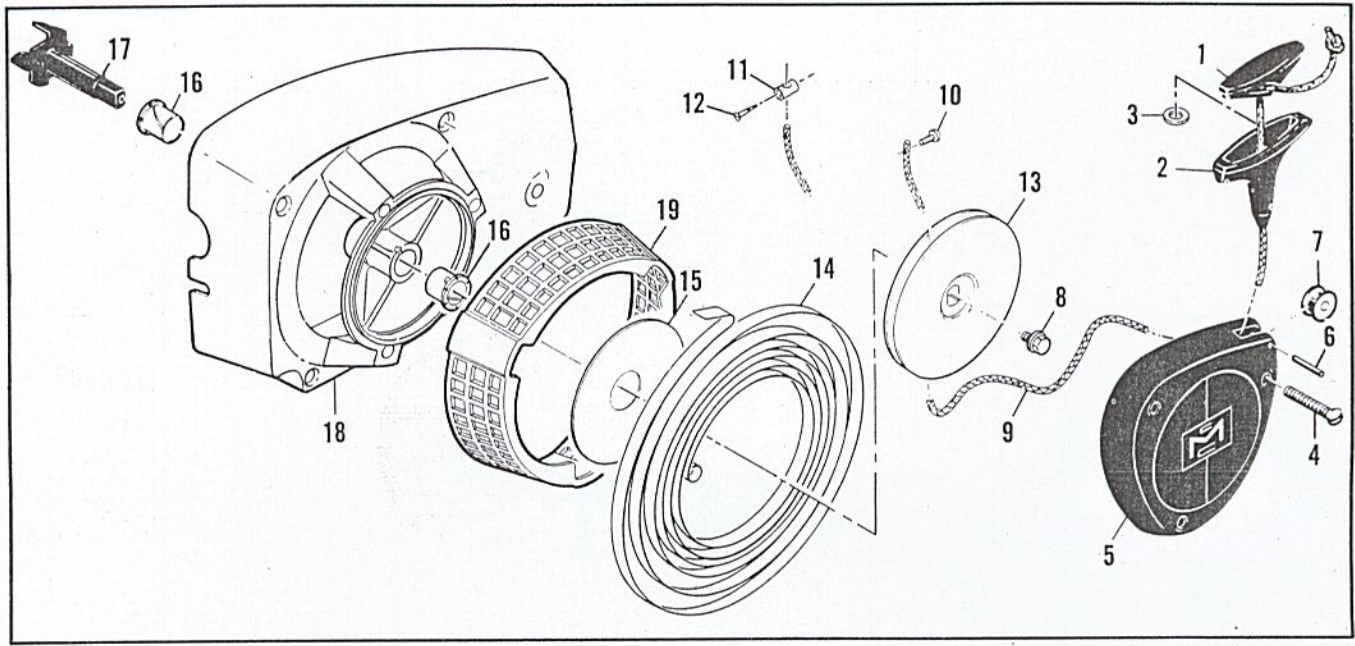


Figure 2. Fan Housing & Starter Assemblies

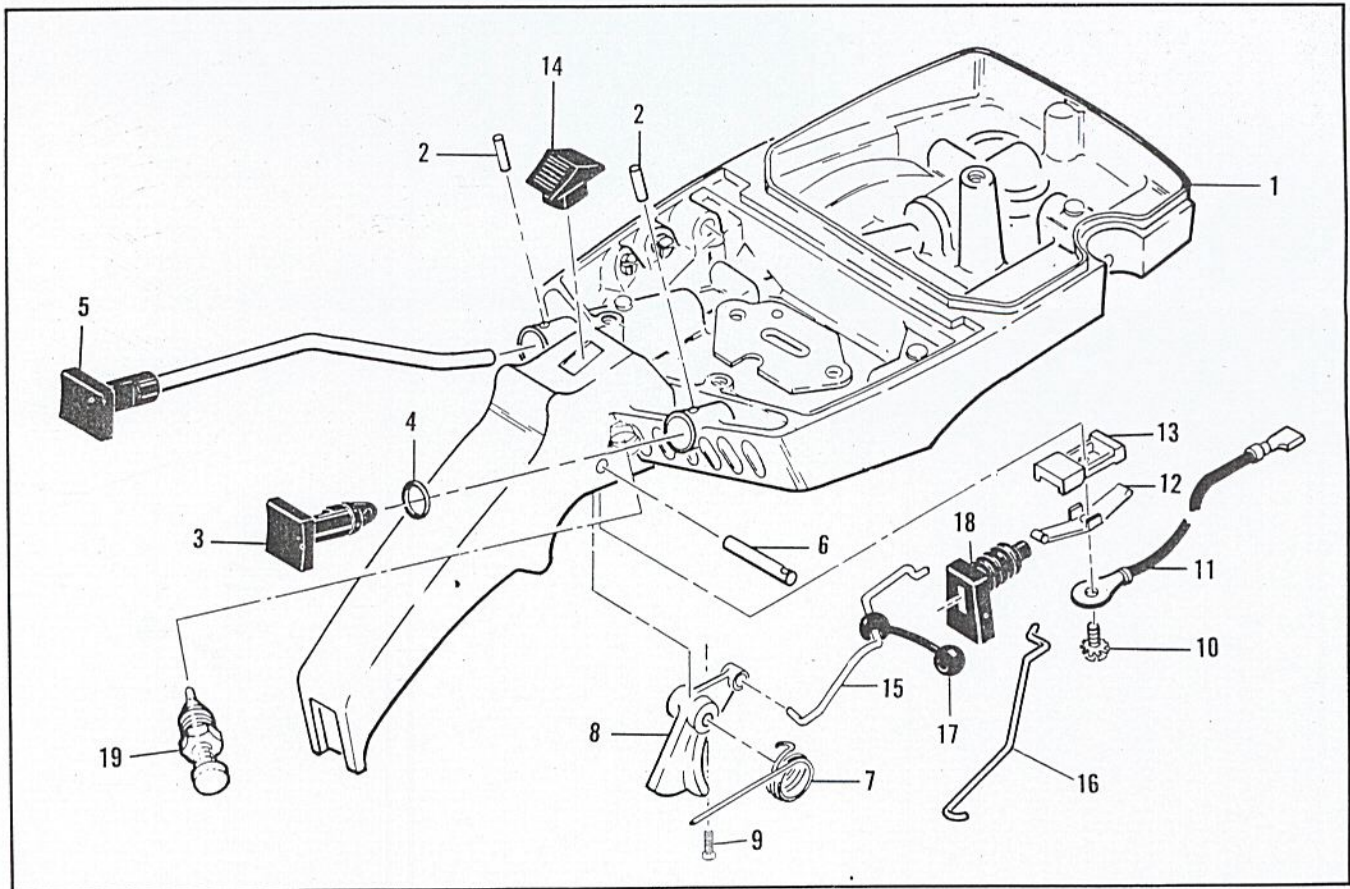


Figure 3. Fuel Tank Assembly

FIGURE 2. FAN HOUSING & STARTER ASSEMBLIES

Item No.	Part Number	Description	Units Per Assy
1 ①	62191A	Insert - Handle	1
2 ①	62190A	Handle - Starter	1
	② -87851	Handle - Starter	1
3 ②	-105490	Washer - 3/16	1
4	110646	Screw - Oval hd 8-32 x 1-1/8	3
5	-87672	Cover Assy - Starter	1
6 ③	110657	Pin - Roll	1
7 ③	84051	Pulley - Rope	1
8	-110341	Screw - Hex hd 10-24 x 1/2	1

Item No.	Part Number	Description	Units Per Assy
9	-87695	Rope Assy - Starter	1
10	-110862	Screw - Fl hd #4	1
11	-87671	Retainer	1
12 ③	110470	Rivet - Rope	1
13	-87689	Drum - Starter	1
14	-87680	Spring - Rewind	1
15	-86053	Shield - Spring	1
16 ③	57535	Bushing - Shaft	2
17	83748	Shaft - Starter	1
18	-87693	Kit - Fan housing	1
19	-87674	Guard - Sawdust	1

① S/N's prefixed 10-, all models
S/N's prefixed 11-, Manual Model 600001 A, B, D, J, U
S/N's prefixed 11-, Automatic Model 600002, all models

② S/N's prefixed 11-, Manual Model 600001 H, G

③ S/N's prefixed 10-, all models

FIGURE 3. FUEL TANK ASSEMBLY

Item No.	Part Number	Description	Units Per Assy
1	84183	Fuel Tank Assy	1
2	105673	Pin - Roll	2
3	69041	Button - Choke	1
4	101056	"O" Ring	1
5	64871	Button & Rod Assy	1
6	110378	Pin - Roll	1
7	-87178	Spring - Throttle	1
8	-86450	Trigger	1
9 ①	110668	Screw - Fil hd 8-36 x 5/8	1

Item No.	Part Number	Description	Units Per Assy
10	103672	Screw - Fil hd 8-32 x 1/2	1
11	62973A	Wire Assy - Stop switch	1
12	62451	Contact - Switch	1
13	62950A	Base - Switch	1
14	-68846	Button - Switch	1
15	85107	Rod - Throttle	1
16	69042	Rod - Choke	1
17	69043	Snubber - Control rod	1
18	68522	Seal - Throttle rod	1
19 ①	85451	Throttle Latch Assy	1

① S/N's prefixed 10-, all models
S/N's prefixed 11-, Manual Model 600001 A, B, D, J, U
S/N's prefixed 11-, Automatic Model 600002, all models

MAC 10-10
MAC 10-10A

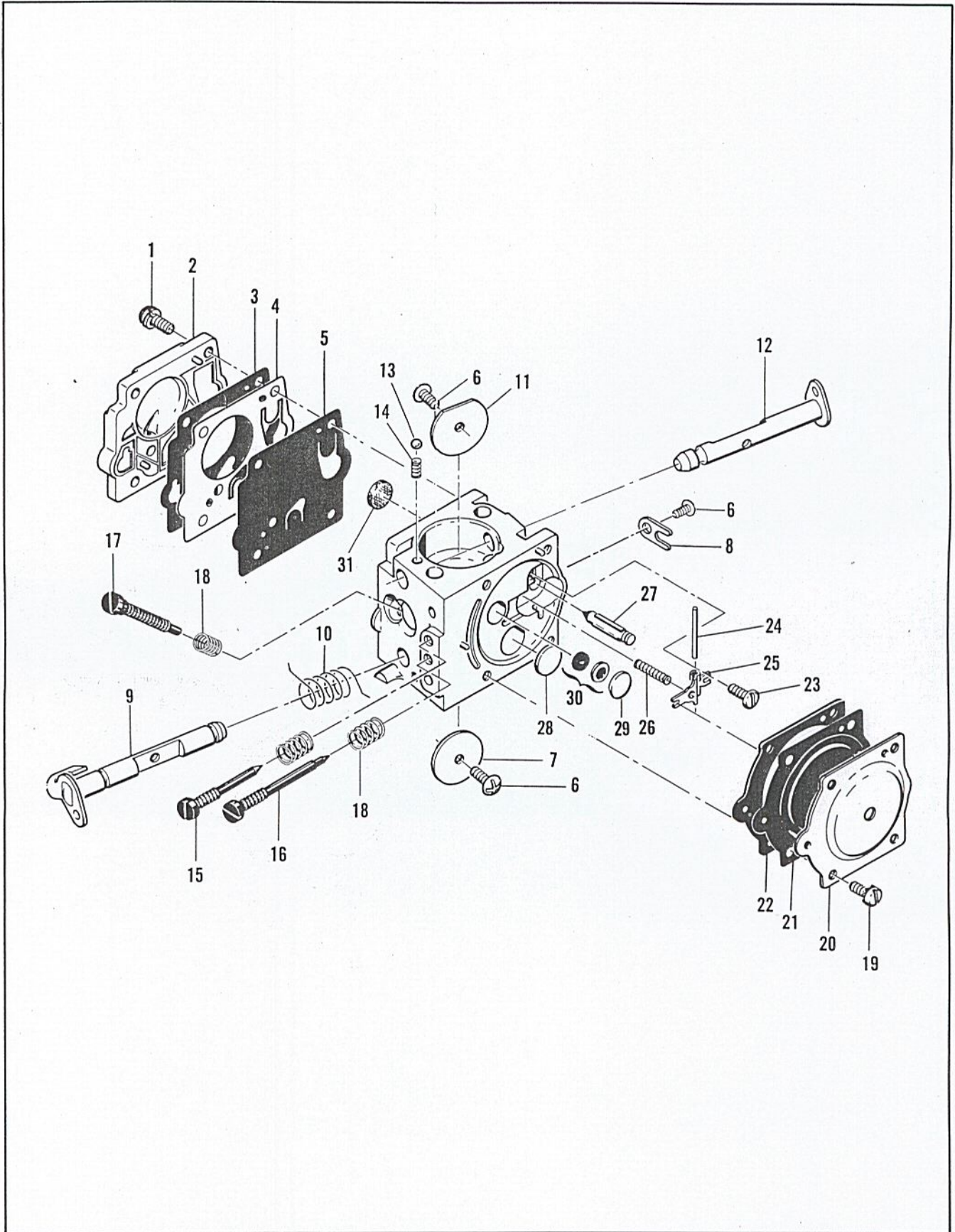


Figure 4. Carburetor Assembly

FIGURE 4. CARBURETOR ASSEMBLY

Item No.	Part Number	Description	Units Per Assy
	85720	Carburetor Assy	1
1	67501	. Screw - Pump cover	4
2	83760	. Cover - Pump	1
3	*67495	. Gasket - Cover	1
4	*67498	. Diaphragm - Check valve	1
5	*83114	. Diaphragm - Fuel pump	1
6	*47690	. Screw - Plate	3
7	83762	. Plate - Throttle	1
8	67489	. Clip - Shaft	1
9	67486	. Shaft Assy - Throttle	1
10	*85981	. Spring - Throttle shaft	1
11	67490	. Plate - Choke	1
12	67488	. Shaft Assy - Choke	1
13	*100302	. Ball - Choke friction	1
14	*67504	. Spring - Choke friction	1
15	*68104	. Needle - High speed	1
16	*68105	. Needle - Idle	1
17	68106	. Screw - Idle speed	1

Item No.	Part Number	Description	Units Per Assy
18	*67502	. Spring - Needle	3
19	70798	. Screw - Diaphragm cover	4
20	83761	. Cover - Diaphragm	1
21	*67499	. Diaphragm - Metering	1
22	*67496	. Gasket - Diaphragm	1
23	*67500	. Screw - Lever pin	1
24	*67508	. Pin - Lever	1
25	*67509	. Lever - Metering	1
26	*67503	. Spring - Lever	1
27	*67491	. Valve - Needle	1
28	*71690	. Plug - 3/8	1
29	*69506	. Plug - 5/16	1
30	83758	. Kit - Valve & Seat Assy	1
31	*67507	. Screen - Fuel	1
	*67482	Gasket Set	
	83764	Repair Kit	

*Indicates parts included in Repair Kit, P/N 83764

MAC 10-10 MAC 10-10A

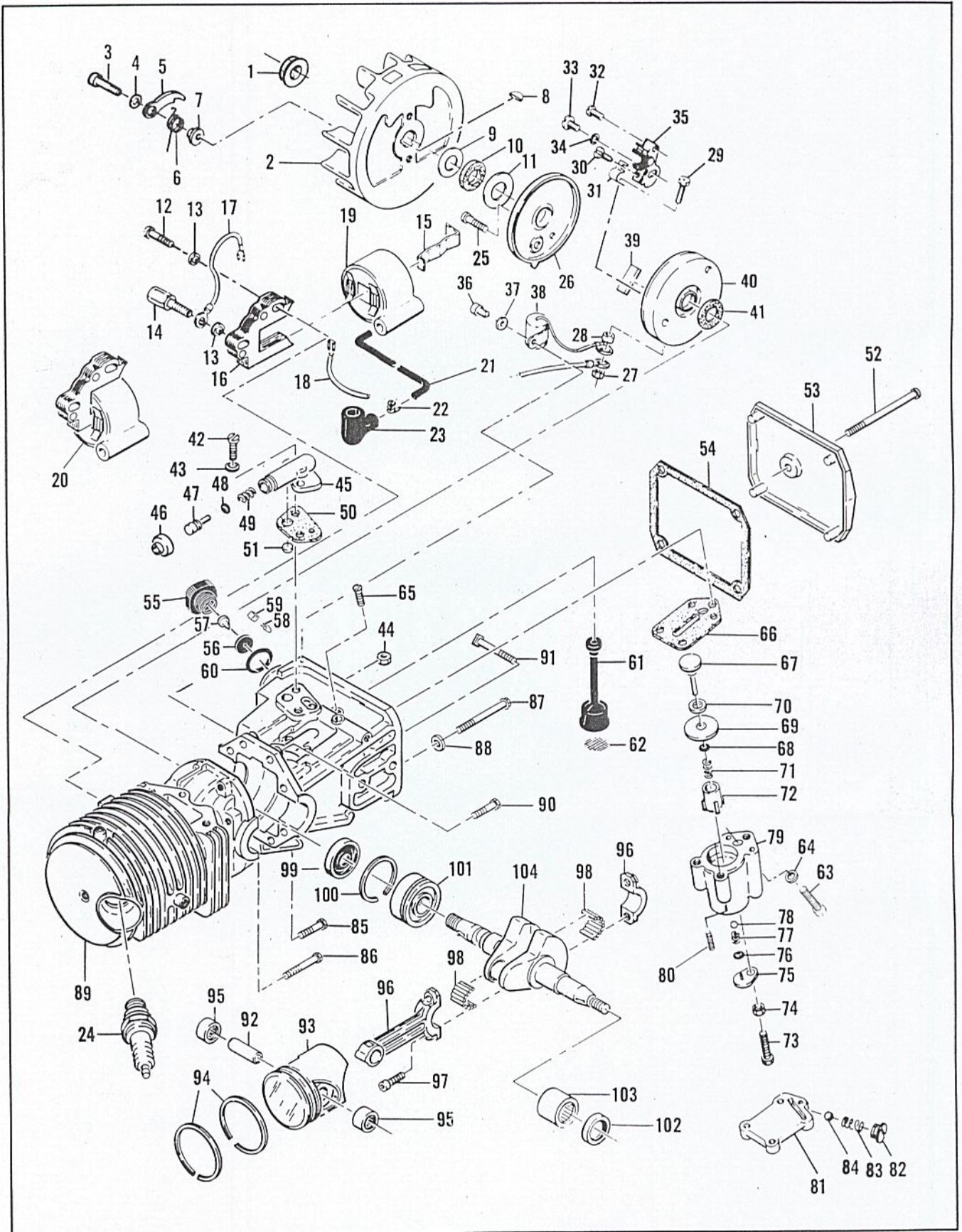


Figure 5. Powerhead Assembly

FIGURE 5. POWERHEAD ASSEMBLY

Item No.	Part Number	Description	Units Per Assy
1	110703	Nut - Hex 3/8-24	1
2	-86068	Flywheel	1
3	110713	Screw - Skt hd 10-24 x 7/8	2
4	83241	Washer - Special	2
5	67546	Pawl - Starter	2
6	67545	Spring - Pawl	2
7	67547	Pivot - Pawl	2
8	103879	Key - Woodruff	1
9	67057	Washer - Thrust	1
10	67056	Seal - Breaker box cover	1
11	67054	Washer - Thrust	1
12	110127	Screw - Hex hd 10-24 x 7/8 (SEMS)	1
13	-100002	Washer - #10	2
14	83512	Stud - Special	1
15	① 51253	Retainer - Coil	1
16	① 85138	Lamination Assy	1
17	-84686	Wire Assy - Ground	1
18	69344	Wire Assy - Primary	1
19	① 84972	Kit - Coil	1
20	-87246	Coil & Lamination Assy	1
21	50120	. Wire Assy - Spark plug	1
22	55061	. Connector	1
23	-85958	. Boot	1
24	② 63097	Spark Plug - AC CS 45T	1
	③ 65408	Spark Plug - Ch CJ8	1
25	-110584	Screw - Rd hd 8-32 x 3/4	1
26	62362	Cover - Breaker box	1
27	100298	Nut - Hex 6-32	1
28	62365	Spacer - Breaker	1
29	110346	Screw - Hex hd 6-32 x 3/4	1
30	-110706	Screw - Pan hd 8-18 x 1/2	1
31	83126	Strap - Conduction	1
32	-110811	Screw - Pan hd 8-32 x 3/8	1
33	110445	Screw - Truss hd 8-32 x 3/8	1
34	105976	Washer - #8	1
35	66231	Breaker Assy	1
36	103672	Screw - Fil hd 8-32 x 1/2 (SEMS)	1
37	100008	Washer - #8	1
38	85358	Condenser	1
39	④ 54184	Wiper - Cam	1
40	84329	Box - Breaker	1
41	67051	Seal - Breaker box	1
42	110623	Screw - Fil hd 8-32 x 1/2	2
43	105976	Washer - #8	2
44	100955	Nut - Hex 8-32	1
45	84156	Housing - Pump	1
46	62262	Cap - Housing	1
47	62266	Plunger - Pump	1
48	101056	"O" Ring	1
49	66687	Spring - Pump	1
50	62230	Gasket - Pump	1
51	62909	Valve - Pump	1
52	110291	Screw - Pan hd 10-24 x 2-5/8	1
53	-86304	Cover - Oil tank	1

Item No.	Part Number	Description	Units Per Assy
54	-86306	Gasket - Cover	1
55	-87270	Cap - Oil tank	1
56	-87269	. Retainer - Valve	1
57	-86402	. Valve	1
58	① 110737	Clip - Oil cap plug	1
59	① 84953	Plug - Oil cap	1
60	101148	"O" Ring	1
61	62123B	Hose Assy - Oil	1
62	51506	. Screen	1
63	**110713	Screw - Skt hd 10-24 x 7/8	1
64	**24236	Washer - Special	1
65	*110333	Screw - Oval hd 8-32 x 1/2	3
66	**86188	Gasket - Pump	1
	*62274	Gasket - Pump	1
	**83786	Pump Assy - Pulse	1
67	**60260A	. Piston Assy - Pump	1
68	**104001	. "O" Ring	1
69	**86182	. Ring - Piston	1
70	**60937	. Washer - Teflon	1
71	**60259	. Spring - Piston	1
72	**62227	. Sleeve - Adjustment	1
73	**110386	. Screw - Hex hd 8-32 x 1	1
74	**100251	. Nut - Hex 8-32	1
75	**62407	. Cover - Outlet valve	1
76	**106104	. "O" Ring	1
77	**62885A	. Spring - Outlet valve	1
78	**102809	. Ball	1
79	**83787	. Body Assy - Pump	1
80	**110643	. Screw - Set	1
81	*68711	Body Assy - Check valve	1
82	*68714	. Screw - Special	1
83	*63034	. Spring - Check valve	1
84	*100071	. Ball - 5/32 dia	1
85	110288	Screw Assy - Hex 8-32 x 3/4	1
86	110618	Screw Assy - Hex 8-32 x 1-3/8	1
87	62105	Screw Assy - Sealing	4
88	62842	. Washer - Sealing	4
89	**84113	Crankcase Assy	1
	*69993	Crankcase Assy	1
90	110288	. Screw Assy - Hex 8-32 x 3/4	2
91	62065	. Bolt - Bar mounting	2
92	61649	Pin - Piston	1
93	69212	Piston Assy	1
94	62814	. Ring Set - Piston	1
95	103085	. Bearing - Needle	2
96	65401	Connecting Rod Assy	1
97	61627A	. Screw - Skt hd special	2
98	63225	. Roller - Needle (set of 20)	1
99	67906	Seal - Oil	1
100	63464	Ring - Snap	1
101	67905	Bearing - Ball	1
102	110260	Seal - Oil	1
103	104357	Bearing - Needle	1
104	87728	Crankshaft	1

① S/N's prefixed 10-, all models

② S/N's prefixed 10-, all models
S/N's prefixed 11-, Automatic Model 600002, all models
S/N's prefixed 11-, Manual Model 600001 B, D, G, H, J, U

③ S/N's prefixed 11-, Manual Model 600001 A

④ S/N's prefixed 10-, all models

S/N's prefixed 11-, Automatic Model 600002, all models
S/N's prefixed 11-, Manual Model 600001 A, B, D, J, U

*Manual Model 600001, all models

**Automatic Model 600002, all models

MAC 10-10
MAC 10-10 A

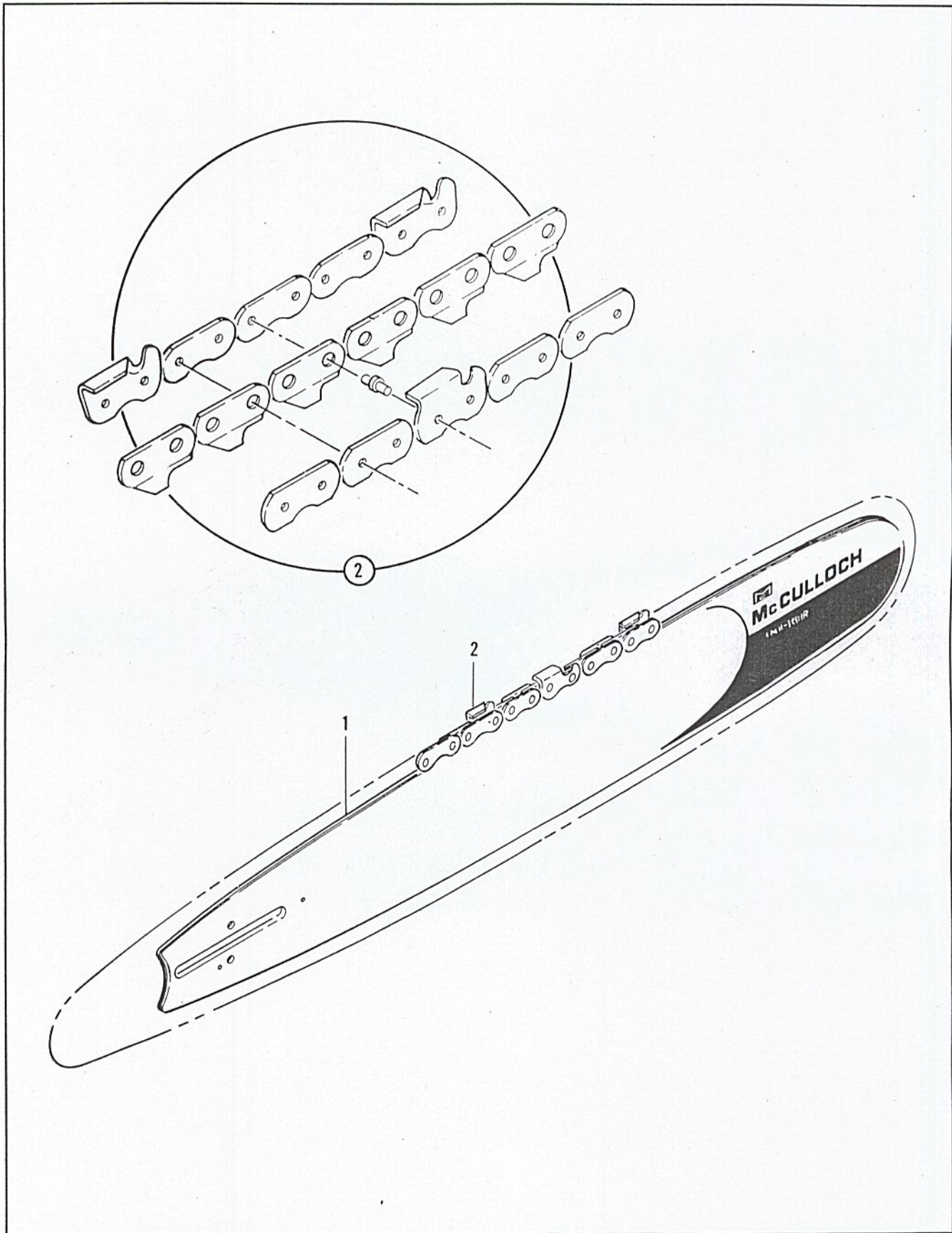


Figure 6. Bar & Chain Assembly

FIGURE 6. BAR & CHAIN ASSEMBLY

Item No.	Part Number	Description	Units Per Assy
1	① 63541	Bar	1

Item No.	Part Number	Description	Units Per Assy
2	① 62556N	Chain Assy	1

① Standard equipment on Manual Model 600001 H, U and Automatic Manual 600002U

ACCESSORIES

Part Number	Description
69210	Piston Assy - 0.020 in. oversize
62813	Ring Set - Piston 0.020 in. oversize
69211	Piston Assy - 0.030 in. oversize
62812	Ring Set - Piston 0.030 in. oversize
86419	Guide - Timing
63341A	Kit - Spike
69191	Kit - Pressure test adaptor
63432	Spark Plug - AC CS 42T (B, D, G, H, J, U)
65778	Spark Plug - AC CS 42T (B, D, G, H, J, U)

Part Number	Description
65409	Spark Plug - Ch CJ6 (A)
65551	Spark Plug - Ch CJ4 (A)
84453	Kit - Piston tool
62827	Wrench (D, G, H, U)
83235	Wrench (B, J)
85726	Manual - Owner's (A, D, G, H, U)
200779	Manual - Owner's (B)
83406	Kit - Spark arrester screen (Model 600002 B, J)
68863	Kit - Reed muffler (Model 600001 A, D, G, H, U)
64872	Grip - Handle
63746	Scrench
64330	Set - Bar plate

SERVICE SPECIFICATIONS

Spark Plug Gap -----	0.025 in.
Lamination Gap -----	0.010 to 0.015 in.
Breaker Point Gap -----	0.018 in.
Carburetor Adjustment	
Idle Needle - Preliminary adjustment 1 turn open.	
Adjust for smooth idle and acceleration.	
Main Needle - Preliminary adjustment 1 turn open.	
Adjust for maximum power under load.	
Torque Values	
Flywheel Nut -----	240 to 300 inch-pounds
Clutch Nut -----	160 to 170 inch-pounds
Connecting Rod Screws -----	65 to 70 inch-pounds

The policy of McCulloch Corporation is one of continual improvement in design, manufacturing and engineering advancement wherever possible to assure still finer two-cycle power tools. Hence, specifications, equipment, colors, design and manufacturer's suggested list prices are subject to change without notice and McCulloch Corporation reserves the right to make such changes without prior notification or obligation to backfit or supply backfit components for units previously shipped from the factory.