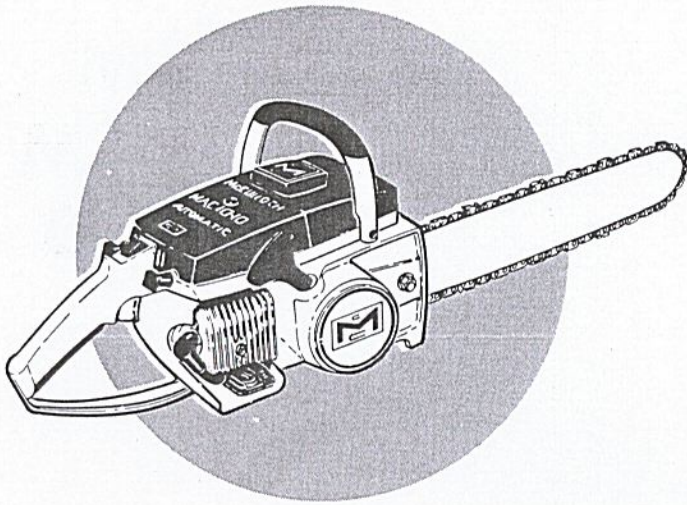


# MASTER ILLUSTRATED PARTS LIST



## MAC 10-10 MAC 10-10A Chain Saws

JUNE 1970

### · CONTENTS ·

The policy of McCulloch Corporation is one of continual improvement in design, manufacturing and engineering advancement wherever possible to assure still finer two-cycle power tools. Hence, specifications, equipment, colors, design and manufacturer's suggested list prices are subject to change without notice and McCulloch Corporation reserves the right to make such changes without prior notification or obligation to backfit or supply backfit components for units previously shipped from the factory.

	Page
Figure 1. General . . . . .	2
Figure 2. Clutch Guard Assembly . . . . .	6
Figure 3. Fuel Tank Assembly. . . . .	6
Figure 4. Carburetor Assembly . . . . .	8
Figure 5. Powerhead Assembly . . . . .	10

This Master Illustrated Parts List gives the name, number and interchangeability between engines, of service and replacement parts which were used on or are presently available for all MAC 10-10 and MAC 10-10A chain saws manufactured to date.

Information about the List and how to use it will be found on the back cover.  
Read the information before you start to use the List.

 **McCULLOCH**

MAC 10-10  
MAC 10-10A

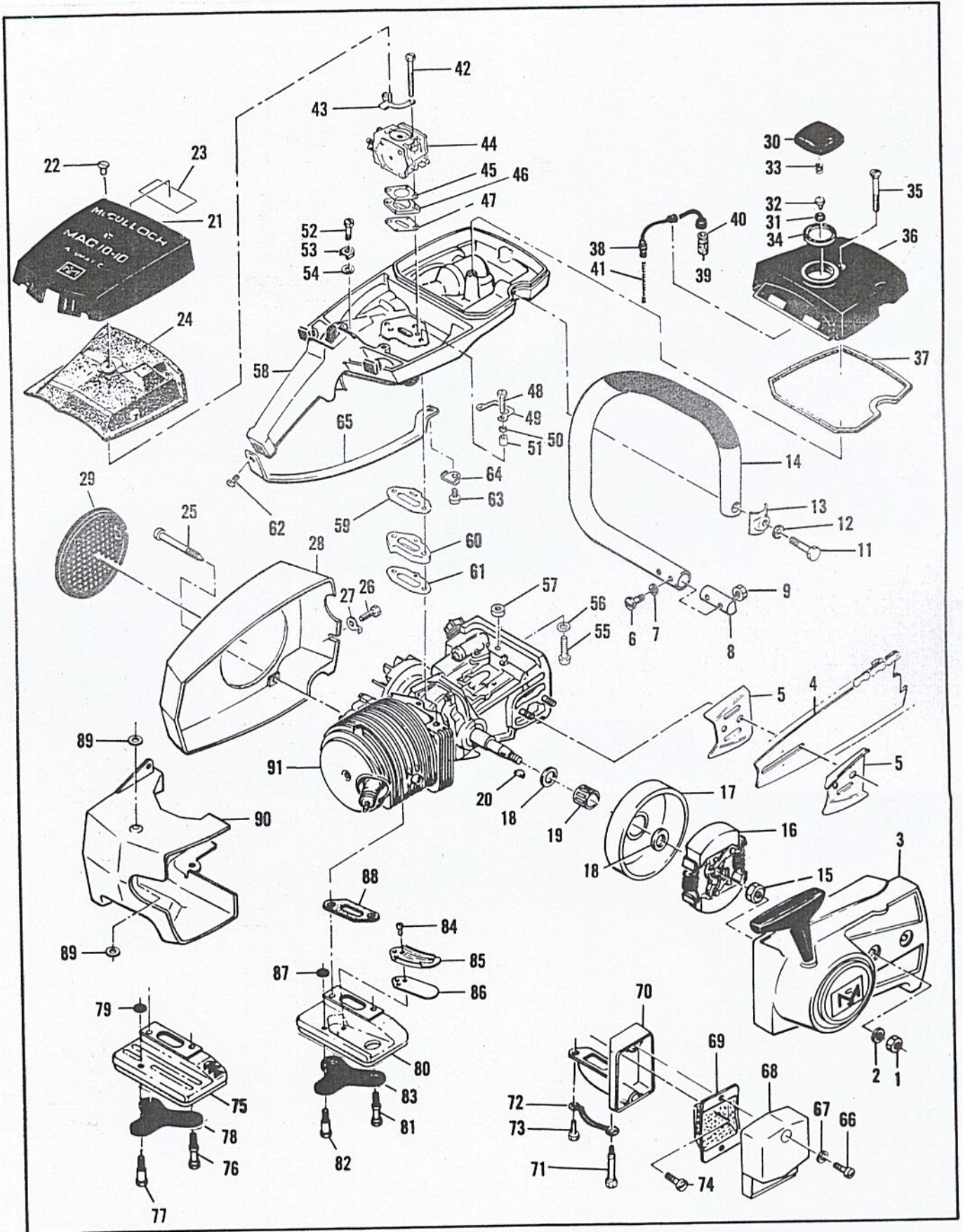


Figure 1. General

Figure 1. General

Item No.	Part Number	Description	Units Per Assy	Usable on Code																												
MAC 10 & MAC 10A - Usable on Code																																
		<table border="1" style="width: 100%; border-collapse: collapse;"> <thead> <tr> <th>Model Name</th> <th>10-10</th> <th>10-10A</th> <th>10-10</th> <th>10-10A</th> <th>10-10</th> <th>10-10A</th> </tr> </thead> <tbody> <tr> <td>Model Numbers</td> <td>600005 600006</td> <td>600007 600011</td> <td>600005 600006</td> <td>600007 600011</td> <td>600005</td> <td>600004</td> </tr> <tr> <td>Letter</td> <td>A</td> <td>B</td> <td>C</td> <td>D</td> <td>E</td> <td>F</td> </tr> <tr> <td>Serial Numbers</td> <td>Prefixed 10-</td> <td>Prefixed 10-</td> <td>Prefixed 12-</td> <td>Prefixed 11-</td> <td>Prefixed 16-</td> <td>Prefixed 12-</td> </tr> </tbody> </table>	Model Name	10-10	10-10A	10-10	10-10A	10-10	10-10A	Model Numbers	600005 600006	600007 600011	600005 600006	600007 600011	600005	600004	Letter	A	B	C	D	E	F	Serial Numbers	Prefixed 10-	Prefixed 10-	Prefixed 12-	Prefixed 11-	Prefixed 16-	Prefixed 12-		
Model Name	10-10	10-10A	10-10	10-10A	10-10	10-10A																										
Model Numbers	600005 600006	600007 600011	600005 600006	600007 600011	600005	600004																										
Letter	A	B	C	D	E	F																										
Serial Numbers	Prefixed 10-	Prefixed 10-	Prefixed 12-	Prefixed 11-	Prefixed 16-	Prefixed 12-																										
1	110454	Nut - Hex 5/16-24 .....	2	All																												
2	100440	Washer - 5/16 .....	2	All																												
3		Clutch Guard Assy (see Figure 2) .....		All																												
4		Bar and Chain Assys .....	1	All																												
5	64325	Plate - Bar protector .....	2	A,B,C,D																												
6	102761	Screw - Hex hd 10-24 x 7/8 .....	2	All																												
7	100352	Washer - #10 .....	2	All																												
8	61678	Plug - Nut retainer .....	1	All																												
9	101326	Nut - Hex 10-24 .....	2	All																												
10		Deleted																														
11	102130	Screw - Hex hd 1/4-20 x 1-1/2 .....	1	All																												
12	100153	Lockwasher - 1/4 .....	1	All																												
13	63484	Clamp - Frame .....	1	All																												
14	69054	Frame & Grip Assy .....	1	A,B,E,F																												
	68410	Frame & Grip Assy .....	1	C,D																												
15	103746	Nut - Hex 3/8-24 .....	1	A,B,C,D,E																												
	110594	Nut - Hex 3/8-24 .....	1	F																												
16		Clutch Assy (see Figure 2) .....		All																												
17	65370	Kit - Sprocket & Drum Assy .....	1	All																												
18	61692	. Shim - Sprocket .....	2	All																												
19	110330	Bearing - Sprocket .....	1	All																												
20	103879	Key - Woodruff .....	1	All																												
21	68166	Cover Assy - Air cleaner .....	1	A,C																												
	68445	Cover Assy - Air cleaner .....	1	B,D																												
	69033	Cover Assy - Air cleaner .....	1	E,F																												
22	65813	. Nut - Cover .....	1	All																												
23	68177	Plate - Instruction .....	1	B,C,D,E,F																												
24	66774	Filter - Air .....	1	All																												
25	62978	Screw - Special .....	3	All																												
26	102762	Screw - Hex hd 10-24 x 1/2 .....	1	All																												
27	69890	Lockplate .....	1	All																												
28	83521	Kit - Fan housing .....	1	All																												
29	55615	. Guard - Flywheel .....	1	All																												
30	68531	Cap Assy - Fuel .....	1	All																												
31	68533	. Plug .....	1	All																												
32	63041	. Valve .....	1	All																												
33	63040	. Spring .....	1	All																												
34	69767	. Gasket .....	1	All																												
35	110334	Screw - Oval hd, 12-24 x 1-3/4 .....	1	All																												
36	69684	Cover - Fuel tank .....	1	All																												
37	69345	Gasket - Cover .....	1	All																												
38	64848	Hose Assy - Fuel .....	1	All																												
39	63932	. Filter - Fuel .....	1	All																												
40	100440	. Washer .....	1	All																												
41	67944	Spring - Hose stiffener .....	1	All																												
42	110551	Screw - Hex hd 10-24 x 2-1/8 .....	2	All																												
43	66681	Bracket Assy .....	1	A,B																												
	68807	Bracket Assy .....	1	C,D,E,F																												
44		Carburetor Assy (see Figure 4) .....	1	All																												
45	68132	Gasket - Carburetor .....	1	A,B,C,D																												
	83059	Gasket - Carburetor .....	1	E,F																												
46	66678	Spacer - Carburetor .....	1	A,B,C,D,E																												
	-84078	Spacer - Carburetor .....	1	F																												

This list continued on next page

Figure 1. General (Cont.)

Item No.	Part Number	Description	Units Per Assy	Usable on Code
47	68131	Gasket - Spacer .....	1	A,B,C,D,E
	-84081	Gasket - Spacer .....	1	F
48	110553	Screw - Hex hd 10-24 x 1-3/8.....	1	A,B,C,D
	110570	Screw - Hex hd 12-24 x 1-3/8.....	1	E,F
49	68582	Lockplate .....	1	All
50	100003	Washer - #10 .....	2	A,B,C,D
	102115	Washer - #12 .....	2	E,F
51	66189	Sleeve .....	2	A,B,C,D
52	110516	Screw - Hex hd 10-24 x 1-1/8 .....	1	A,B,C,D
	110568	Screw - Hex hd 12-24 x 1-1/8 .....	1	E,F
53	63475	Lockplate .....	1	A,B
	69516	Lockplate .....	1	C,D,E,F
54	64856	Washer - Special .....	1	All
55	102660	Screw - Skt hd 10-24 x 7/8 .....	1	E,F
56	100003	Washer - #10 .....	1	E,F
57	69772	Spacer - Fuel tank .....	1	E,F
58		Fuel Tank Assy (see Figure 3) .....		All
59	68130	Gasket - Fuel tank .....	1	A,B,C,D
	-84082	Gasket - Fuel tank .....	1	E,F
60	67907	Insulator - Fuel tank .....	1	A,B
	66659	Insulator - Fuel tank .....	1	C,D
	-84079	Insulator - Fuel tank .....	1	E,F
61	68130	Gasket - Insulator .....	1	A,B,C,D
	84082	Gasket - Insulator .....	1	E,F
62	110353	Screw - Oval hd 10-24 x 3/8 .....	1	A
	106078	Screw - Pan hd 10-24 x 7/16 (SEMS) .....	1	B,C,D,E,F
63	102289	Screw - Hex hd 10-24 x 3/4 .....	1	A,B,C,D
	-110566	Screw - Hex hd 10-24 x 5/8 .....	1	E,F
64	69890	Lockplate.....	1	A,B
	68508	Lockplate.....	1	C,D,E,F
65	69838	Brace - Handle .....	1	All
	*68194	Kit - Spark arrester .....	1	A
66	102290	. Screw - Hex hd 10-24 x 1-1/8 .....	2	A
67	110264	. Washer - #10 .....	2	A
68	62380	. Cover .....	1	A
69	62379B	. Baffle (Delete - No longer available) .....	1	A
70	83105	. Body & Duct Assy .....	1	A
71	**68187	. Screw - Special .....	1	A
72	67922	. Lockplate .....	1	A
73	110506	Screw - Hex hd 10-24 x 5/8 .....	1	A
74	110529	Screw - Hex hd 10-24 x 1/2 .....	1	A
75	***68512	Kit - Muffler .....	1	A,B,C,E,F
76	67838	. Screw - Muffler long .....	2	A,B,C,E,F
77	67837	. Screw - Muffler short .....	1	A,B,C,E,F
78	83993	. Lockplate .....	1	A,B,C,E,F
79	63993	. Gasket - Muffler screw .....	1	A,B,C,E,F
80	68863	Kit - Muffler .....	1	D
81	67838	. Screw - Muffler long .....	2	D
82	67837	. Screw - Muffler short .....	1	D
83	83993	. Lockplate .....	1	D
84	110563	. Screw - Skt hd 8-32 x 1/4 .....	2	D
85	83069	. Stop - Reed .....	1	D
86	64785	. Reed .....	1	D
87	63993	Gasket - Muffler screw .....	1	D
88	68149	Gasket - Muffler .....	1	A,B,C,D
	**84007	Gasket - Muffler .....	1	E,F
89	62085A	Insulator - Shroud .....	2	A,B,C
	68581	Insulator - Shroud .....	2	D,E,F
90	67910	Shroud .....	1	All
91		Powerhead Assy (see Figure 5) .....		All

\*Serial numbers 10-2453 to 10-5039 inclusive.

\*\*Use Screw, P/N 110507, on units with serial numbers 10-2453 to 10-5039 inclusive.

\*\*\*Used on all "A" coded units except serial numbers 10-2453 to 10-5039 inclusive.

\*\*Gasket, P/N 84007, can be used only with Crankcase Assemblies, P/N 69993 and P/N84113, which have a recessed area on the muffler mounting flange.

Master Illustrated Parts List, P/N 84693,  
supersedes and cancels all previous lists  
issued for the MAC 10-10 and MAC 10-10A  
saws. Discard Illustrated Parts List, P/N 84357.

Part numbers which have changed since the pre-  
vious printing of an illustrated parts list covering  
any of these saws, are indicated by a dash (-)  
preceding the new part number

### SERVICE SPECIFICATIONS

Spark Plug Gap ----- 0.025 in.  
Lamination Gap ----- 0.010 to 0.015 in.  
Breaker Point Gap ----- 0.018 in.  
Carburetor Adjustment  
    Idle Needle - Preliminary adjustment 1 turn open.  
                  Adjust for smooth idle and acceleration.  
    Main Needle - Preliminary adjustment 1 turn open.  
                  Adjust for maximum power under load.  
Torque Values  
    Flywheel Nut ----- 240 to 300 inch-pounds.  
    Clutch Nut ----- 160 to 170 inch-pounds.  
    Connecting Rod Screws ----- 65 to 70 inch-pounds.

MAC 10-10  
MAC 10-10A

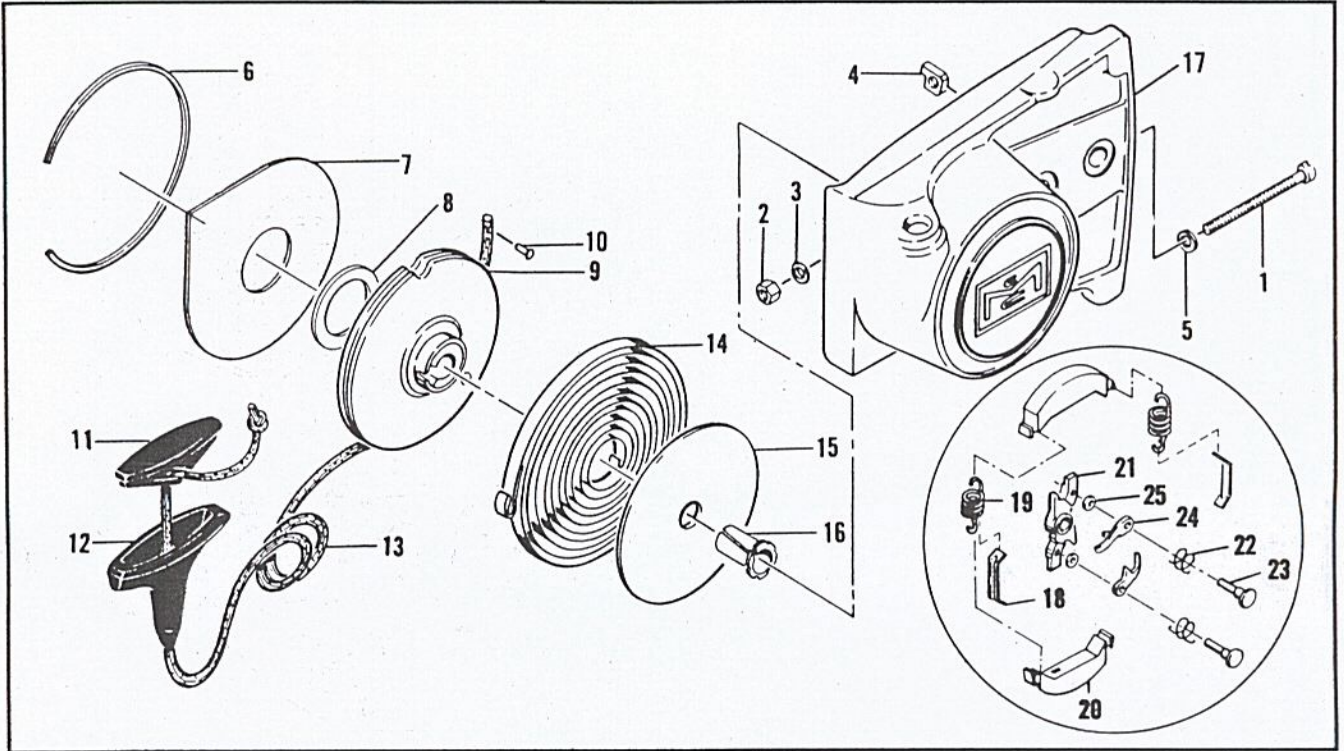


Figure 2. Clutch Guard and Clutch Assemblies

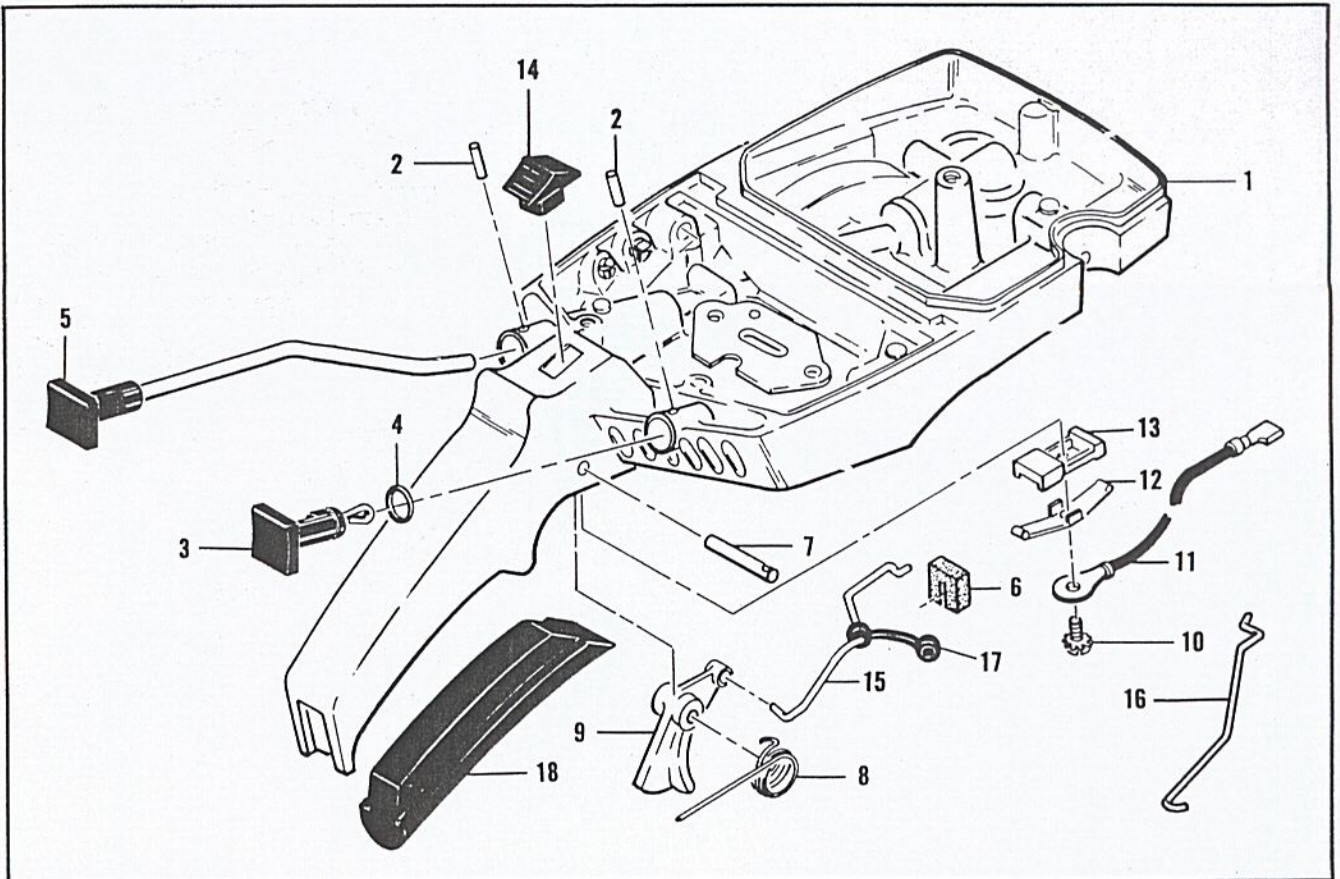


Figure 3. Fuel Tank Assembly

Figure 2. Clutch Guard and Clutch Assemblies

Item No.	Part Number	Description	Units Per Assy	Usable on Code
	83850	Clutch Guard Assy .....	1	All
1	102144	. Screw - Bar adjusting .....	1	All
2	102067	. Nut - Hex 10-24 .....	1	All
3	110387	. Washer - Wave .....	1	All
4	61705	. Nut - Bar adjusting .....	1	All
5	101174	. Washer - #10 .....	1	A,B,C,D
	110264	. Washer - #10 .....	1	E,F
6	67205	. Retainer - Shield .....	1	All
7	63985	. Shield - Dust .....	1	All
8	63986	. Washer - Thrust .....	1	All
9	83651	. Drum - Starter .....	1	All
10	110470	. Rivet - Starter rope .....	1	All
11	62191A	. Insert - Handle .....	1	All
12	62190A	. Handle - Starter .....	1	All
13	69964	. Rope - Starter .....	1	All
14	68626	. Spring - Rewind .....	1	A,B,C,D
	83334	. Spring - Rewind .....	1	E,F
15	63987	. Shield - Spring .....	1	All
16	61635A	. Bushing - Nyliner .....	1	All
17	-83569	. Guard - Clutch .....	1	All
	83224	Clutch Assy .....	1	All
18	64583	. Retainer - Spring .....	2	All
19	83223	. Spring - Clutch .....	2	All
20	67233	. Shoe - Clutch .....	2	All
21	67149	. Rotor Assy - Clutch .....	1	All
22	68837	. . Spring - Pawl .....	2	All
23	67112	. . Rivet - Pawl .....	2	All
24	64857	. . Pawl - Starter .....	2	All
25	65473	. . Washer - Special .....	2	All

MAC 10 & MAC 10A - Usable on Code

Model Name	10-10	10-10A	10-10	10-10A	10-10	10-10A
Model Numbers	600005 600006	600007 600011	600005 600006	600007 600011	600005 600006	600004
Letter	A	B	C	D	E	F
Serial Numbers	Prefixed 10-	Prefixed 10-	Prefixed 12-	Prefixed 11-	Prefixed 16-	Prefixed 12-

Figure 3. Fuel Tank Assembly

Item No.	Part Number	Description	Units Per Assy	Usable on Code
1	84183	Fuel Tank Assy .....	1	All
2	105673	Pin - Roll 3/32 x 9/16 .....	2	All
3	68517	Button - Choke .....	1	A,B,C,D
	69041	Button - Choke .....	1	E,F
4	101056	"O" Ring .....	1	All
5	64871	Button & Rod Assy .....	1	All
6	67989	Seal - Throttle rod .....	1	A,B,C,D
	68522	Seal - Throttle rod .....	1	E,F
7	110378	Pin - Roll 3/16 x 15/16 .....	1	All
8	65734	Spring - Throttle return .....	1	All
9	67224	Trigger .....	1	All
10	103672	Screw - Fil hd 8-32 x 1/2 (SEMS) .....	1	All
11	62973A	Wire Assy - Stop switch .....	1	All
12	62451	Contact - Switch .....	1	All
13	62950A	Base - Switch .....	1	All
14	62951	Button - Switch .....	1	All
15	68170	Rod - Throttle .....	1	All
16	67355	Rod - Choke .....	1	A,B,C,D
	69042	Rod - Choke .....	1	E,F
17	69043	Snubber - Rod .....	1	E,F
18	64872	Grip - Handle .....	1	D





Figure 4. Carburetor Assembly

Item No.	Part Number	Description	Units Per Assy	Usable on Code			
MAC 10 & MAC 10A - Usable on Code							
	<b>Model Name</b>	10-10	10-10A	10-10	10-10A	10-10	10-10A
	<b>Model Numbers</b>	600005 600006	600007 600011	600005 600006	600007 600011	600905	600004
	<b>Letter</b>	A	B	C	D	E	F
	<b>Serial Numbers</b>	Prefixed 10-	Prefixed 10-	Prefixed 12-	Prefixed 11-	Prefixed 16-	Prefixed 12-
	67876	Carburetor Assy .....	1	All			
1	67501	. Screw - Pump cover .....	4	All			
2	67484	. Cover - Pump .....	1	All			
3	*67495	. Gasket - Cover .....	1	All			
4	*67498	. Diaphragm - Check valve .....	1	All			
5	*83114	. Diaphragm - Fuel pump .....	1	All			
6	*47690	. Screw - Plate .....	3	All			
7	67487	. Plate - Throttle .....	1	All			
8	67489	. Clip - Shaft .....	1	All			
9	67486	. Shaft Assy - Throttle .....	1	All			
10	67490	. Plate - Choke .....	1	All			
11	67488	. Shaft Assy - Choke .....	1	All			
12	*100302	. Ball - Choke friction .....	1	All			
13	*67504	. Spring - Choke friction .....	1	All			
14	*68104	. Needle - High speed .....	1	All			
15	*68105	. Needle - Idle .....	1	All			
16	*68106	. Screw - Idle speed .....	1	All			
17	*67502	. Spring - Needle .....	3	All			
18	70798	. Screw - Diaphragm cover .....	4	All			
19	67485	. Cover - Diaphragm .....	1	All			
20	*67499	. Diaphragm - Metering .....	1	All			
21	*67496	. Gasket - Diaphragm .....	1	All			
22	*67500	. Screw - Lever pin .....	1	All			
23	*67508	. Pin - Lever .....	1	All			
24	*67509	. Lever - Inlet .....	1	All			
25	*67503	. Spring - Lever .....	1	All			
26	*67491	. Valve - Needle .....	1	All			
27	68103	. Body Assy - Carburetor .....	1	All			
28	*71690	. Plug - 3/8 .....	1	All			
29	*69506	. Plug - 5/16 .....	1	All			
30	69203	. Seat Assy .....	1	All			
31	69204	. Valve .....	1	All			
32	*67507	. Screen - Fuel .....	1	All			
	*67482	Gasket Set .....					
	68107	Repair Kit .....					

\*Indicates parts included in Repair Kit P/N 68107.

MAC 10-10  
MAC 10-10A

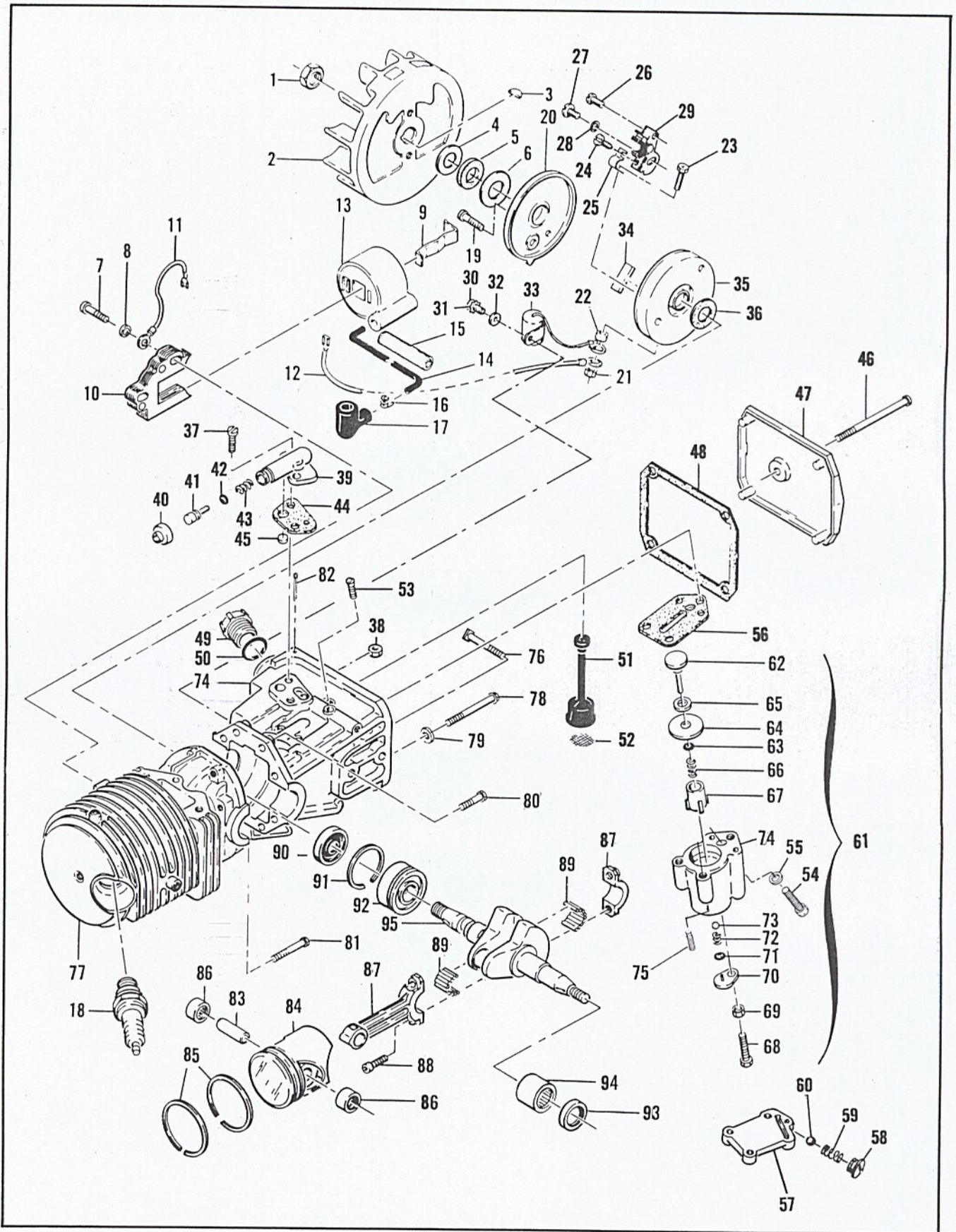


Figure 5. Powerhead Assembly

Figure 5. Powerhead Assembly

Item No.	Part Number	Description	Units Per Assy	Usable on Code																													
MAC 10 & MAC 10A - Usable on Code																																	
		<table border="1"> <thead> <tr> <th>Model Name</th> <th>10-10</th> <th>10-10A</th> <th>10-10</th> <th>10-10A</th> <th>10-10</th> <th>10-10A</th> </tr> </thead> <tbody> <tr> <td>Model Numbers</td> <td>600005 600006</td> <td>600007 600011</td> <td>600005 600006</td> <td>600007 600011</td> <td>600005</td> <td>600004</td> </tr> <tr> <td>Letter</td> <td>A</td> <td>B</td> <td>C</td> <td>D</td> <td>E</td> <td>F</td> </tr> <tr> <td>Serial Numbers</td> <td>Prefixed 10-</td> <td>Prefixed 10-</td> <td>Prefixed 12-</td> <td>Prefixed 11-</td> <td>Prefixed 16-</td> <td>Prefixed 12-</td> </tr> </tbody> </table>	Model Name	10-10	10-10A	10-10	10-10A	10-10	10-10A	Model Numbers	600005 600006	600007 600011	600005 600006	600007 600011	600005	600004	Letter	A	B	C	D	E	F	Serial Numbers	Prefixed 10-	Prefixed 10-	Prefixed 12-	Prefixed 11-	Prefixed 16-	Prefixed 12-			
Model Name	10-10	10-10A	10-10	10-10A	10-10	10-10A																											
Model Numbers	600005 600006	600007 600011	600005 600006	600007 600011	600005	600004																											
Letter	A	B	C	D	E	F																											
Serial Numbers	Prefixed 10-	Prefixed 10-	Prefixed 12-	Prefixed 11-	Prefixed 16-	Prefixed 12-																											
1	101391	Nut - Hex 3/8-24 .....	1	A,B,C,D																													
	110594	Nut - Hex 3/8-24 .....	1	E,F																													
2	61737A	Flywheel Assy .....	1	All																													
3	103879	Key - Woodruff .....	1	All																													
4	67057	Washer - Thrust .....	1	All																													
5	67056	Seal .....	1	All																													
6	67054	Washer - Thrust .....	1	All																													
7	101965	Screw - Fil hd 10-24 x 7/8 (SEMS) .....	2	A,B																													
	110127	Screw - Hex hd 10-24 x 7/8 (SEMS) .....	2	C,D,E,F																													
8	100003	Washer - #10 .....	2	All																													
9	51253	Retainer - Coil .....	1	All																													
10	68164	Lamination Assy .....	1	All																													
11	62819	Wire Assy - Ground .....	1	All																													
12	69344	Wire Assy - Primary .....	1	All																													
13	69798	Kit - Coil & Terminal Assy .....	1	All																													
14	69966	. Wire & Sleeve Assy - Spark plug .....	1	All																													
15	67127	. . Sleeve .....	1	All																													
16	62932	. . Connector .....	1	All																													
17	62926	. . Boot .....	1	All																													
18	63097	Spark Plug AC CS 45T .....	1	All																													
19	110349	Screw - Rd hd 8-32 x 3/4 .....	1	All																													
20	62362	Cover - Breaker box .....	1	All																													
21	100298	Nut - Hex 6-32 .....	1	All																													
22	62365	Spacer - Breaker screw .....	1	All																													
23	110346	Screw - Hex hd 6-32 x 3/4 .....	1	All																													
24	110489	Screw - Pan hd 6-32 x 7/16 s/t .....	1	E,F																													
25	83126	Strap - Conduction .....	1	E,F																													
26	100934	Screw - Rd hd 8-32 x 3/8 .....	1	All																													
27	100934	Screw - Rd hd 8-32 x 3/8 .....	1	A,B,C,D																													
	110445	Screw - Truss hd 8-32 x 3/8 .....	1	E,F																													
28	105976	Washer - #8 .....	1	All																													
29	62363	Breaker Assy .....	1	A,B,C,D																													
	66231	Breaker Assy .....	1	E,F																													
30	105249	Screw - Rd hd 8-32 x 3/8 (SEMS) .....	1	A,B																													
	110623	Screw - Fil hd 8-32 x 1/2 .....	1	C,D																													
	103672	Screw - Fil hd 8-32 x 1/2 .....	1	E,F																													
31	100252	Lockwasher - #8 .....	1	All																													
32	100080	Washer - #8 .....	1	All																													
33	61650	Condenser .....	1	All																													
34	54184	Wiper - Cam .....	1	All																													
35	62361	Box - Breaker .....	1	A,B,C,D																													
	83125	Box - Breaker .....	1	E,F																													
36	67051	Seal .....	1	All																													
37	110623	Screw - Fil hd 8-32 x 1/2 .....	2	All																													
38	100955	Nut - Hex 8-32 .....	1	All																													
39	62261A	Housing - Pump .....	1	All																													
40	62262	Cap - Housing .....	1	All																													
41	62266	Plunger - Pump .....	1	All																													
42	101056	"O" Ring .....	1	All																													
43	66687	Spring - Plunger .....	1	All																													
44	62230	Gasket - Pump .....	1	All																													
45	62909	Valve - Pump .....	1	All																													
46	110291	Screw - Pan hd 10-24 x 2-5/8 .....	1	All																													

Figure 5. Powerhead Assembly (Cont.)

Item No.	Part Number	Description	Units Per Assy	Usable on Code
47	63072	Cover - Oil tank .....	1	All
48	62116	Gasket - Cover .....	1	All
49	57129A	Cap - Oil tank .....	1	A,B,C,D
	68809	Cap - Oil tank .....	1	E,F
50	101148	"O" Ring .....	1	All
51	62123B	Hose Assy - Oil .....	1	All
52	51506	. Screen - Hose .....	1	All
53	110333	Screw - Oval hd 8-32 x 1/2 .....	3	A,B,C,D,E
54	-102660	Screw - Skt hd 10-24 x 7/8 .....	1	F
55	-24236	Washer - Special .....	1	F
56	62274	Gasket - Pump .....	1	A,B,C,D,E
	-83790	Gasket - Pump .....	1	F
57	68711	Body Assy - Check valve .....	1	A,C,E
58	68714	. Screw - Special .....	1	A,C,E
59	63034	. Spring - Check valve .....	1	A,C,E
60	100071	. Ball - 5/32 in. dia. ....	1	A,C,E
61	83134	Pump Assy - Pulse .....	1	B,D
	-83786	Pump Assy - Pulse .....	1	F
62	60260A	. Piston Assy - Pump .....	1	B,D
63	104001	. "O" Ring .....	1	B,D
64	60263	. Ring - Piston .....	1	B,D
65	60937	. Washer - Teflon .....	1	B,D
66	60259	. Spring - Piston oiler .....	1	B,D
67	62227	. Sleeve - Adjustment .....	1	B,D
68	110386	. Screw - Hex hd 8-32 x 1 .....	1	B,D
69	100251	Nut - Hex 8-32 .....	1	B,D
70	63858	. Cover - Outlet valve .....	1	B,D
	-62407	. Cover - Outlet valve .....	1	F
71	106104	. "O" Ring .....	1	B,D
72	62885A	. Spring - Outlet valve .....	1	B,D
73	102809	. Ball - Valve .....	1	B,D
74	83128	. Body Assy - Pump .....	1	B,D
	-83787	. Body Assy - Pump .....	1	F
75	-110643	. Screw - Set .....	1	F
76	62065	Bolt - Bar mounting .....	2	All
77	67908	Crankcase Assy .....	1	A,B,C,D
	* 69993	Crankcase Assy .....	1	E
	*-84113	Crankcase Assy .....	1	F
78	62105	. Screw Assy - Sealing .....	4	All
79	62842	. Washer - Sealing .....	4	All
80	110288	. Screw Assy - Hex 8-32 x 3/4 .....	3	All
81	110618	. Screw Assy - Hex 8-32 x 1-3/8 .....	1	All
82	100010	. Pin - Cotter .....	1	All
83	61649	Pin - Piston .....	1	All
84	69212	Piston Assy .....	1	All
85	62814	. Ring Set - Piston .....	1	All
86	103512	. Bearing - Needle .....	2	A,B,C,D
	103085	. Bearing - Needle .....	2	E
87	65401	Connecting Rod Assy .....	1	All
88	61627A	. Screw - Skt hd special .....	2	All
89	63225	. Roller - Needle (set of 20) .....	1	All
90	67906	Seal - Oil .....	1	All
91	63464	Ring - Snap .....	1	All
92	67905	Bearing - Ball .....	1	All
93	65747	Seal - Oil .....	1	A,B,C,D
	110260	Seal - Oil .....	1	E
94	104357	Bearing - Needle .....	1	All
95	63336	Crankshaft .....	1	All

\* Crankshaft Assemblies, P/N 69993 and P/N 84113, require Muffler Gasket, P/N 84007, for mounting in a recessed area on the muffler mounting flange.

Accessories

Item No.	Part Number	Description	Units Per Assy	Usable on Code				
MAC 10 & MAC 10A - Usable on Code								
	<b>Model Name</b>	10-10	10-10A	10-10	10-10A	10-10	10-10A	
	<b>Model Numbers</b>	600005 600006	600007 600011	600005 600006	600007 600011	600005	600004	
	<b>Letter</b>	A	B	C	D	E	F	
	<b>Serial Numbers</b>	Prefixed 10-	Prefixed 10-	Prefixed 12-	Prefixed 11-	Prefixed 16-	Prefixed 12-	
69210		Piston Assy - 0.020 in. oversize						All
62813		. Ring Set - Piston 0.020 in. oversize						All
103085		. Bearing - Needle (2)						All
69211		Piston Assy - 0.030 in. oversize						All
62812		. Ring Set - Piston 0.030 in. oversize						All
103085		. Bearing - Needle (2) .....						All
63432		Spark Plug - AC CS 42T						All
65778		Spark Plug - AC CS 41T						All
65712		Guide - Timing						All
64330		Bar Plate Set						All
69058		Kit - Wrap-around frame						All
63341A		Kit - Spike						All
63746		Scrench						All
62827		Wrench - Screwdriver						All
-69191		Kit - Pressure adaptor						All
-83434		Manual - Owner's						All

**40:1 TWO-CYCLE MOTOR OIL**

Reduces smoke, carbon and engine wear.



6 oz. can #78960  
6-pack #78961  
16 oz. can #78963  
6-pack #78964  
1 qt. bottle #110626

**CHAIN, BAR AND SPROCKET OIL**

Specially designed for extra lubrication of bars and chains.



1 qt. bottle #110631  
Case of 24 #110632

**BAR GUARDS**

Protect bar and chain from accidental damage.



A B  
Black Polyvinylchloride

(A) for wide bars #56927  
(B) narrow bars #64930



C D  
Rigid Yellow Plastic

(C) MAC 10 - 16, 20" #66544  
(D) PM6 - 12, 16" #83124

**LOCQUIC AND**

Primer. Cleans, degreases, and accelerates curing.

7-1/2 oz. spray can. #69794



**LOCTITE**

Sealant, bonding agent

10cc plastic bottle #67537



**SPRAY PAINT**

Black

12 oz. can #103503  
Case of 12 #103400

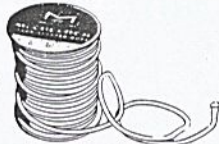


Yellow

12 oz. can #102449  
Case of 12 #102464

**STARTER ROPE**

Solid, braided nylon

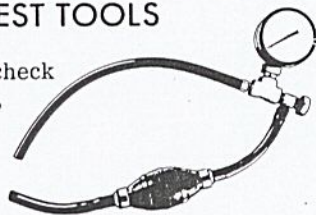


100' spool

#36825

**PRESSURE TEST TOOLS**

For leakage check of crankcase, fuel system.



Basic unit #62849

**CHAIN SHARPENING TOOLS**

		The ● shows which tools are used on chains . . . .				
		S-25	SM-57	S-40	S-80	S-90
	McCULLOCH FILES					
	1/8" round	●				
	5/32" round	●				
	3/16" round		●			
	7/32" round			●		
	1/4" round				●	
9/32" round					●	
8" flat					●	
6" flat safety					●	
FILE GUIDE & FILE						
	#67750 (1/8" round)	●				
	#60950 (7/32" round) (Also holds 3/16 and 1/4" round)		●		●	
DEPTH GAUGE TOOLS						
	#56241 .045-.060"			●	●	●
	#64198 .035-.060"			●	●	●
	#64359 .045-.050"			●		
	#67688 .015-.020"	●				
	#67680 .025-.030"	●	●	●	●	●
FILE-N-JOINT Assures correct filing angle, height.						
	#61034	●	●	●	●	●
"BREAK ALL" CHAIN BREAKER						
Required when repairing chain.						
	#61753					
Instructions included.						