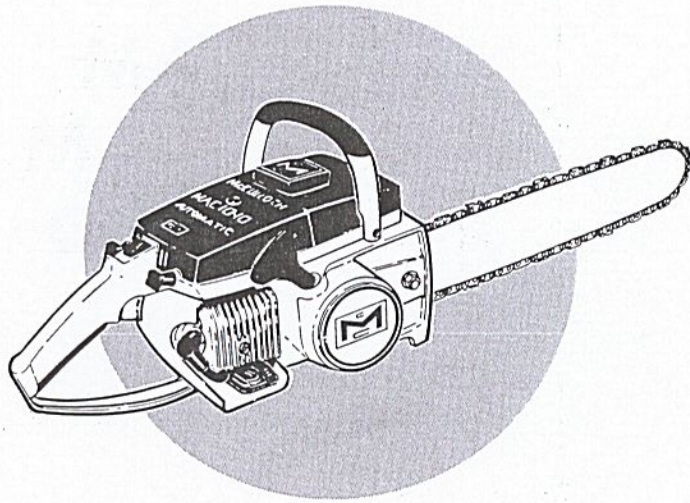


# MASTER ILLUSTRATED PARTS LIST



## MAC 10-10 MAC 10-10A Chain Saws

April 1970

### CONTENTS

The policy of McCulloch Corporation is one of continual improvement in design, manufacturing and engineering advancement wherever possible to assure still finer two-cycle power tools. Hence, specifications, equipment, colors, design and manufacturer's suggested list prices are subject to change without notice and McCulloch Corporation reserves the right to make such changes without prior notification or obligation to backfit or supply backfit components for units previously shipped from the factory.

	Page
Figure 1. General . . . . .	2
Figure 2. Clutch Guard Assembly . . . . .	6
Figure 3. Fuel Tank Assembly . . . . .	6
Figure 4. Carburetor Assembly . . . . .	8
Figure 5. Powerhead Assembly . . . . .	10

This Master Illustrated Parts List gives the name, number and interchangeability between engines, of service and replacement parts which were used on or are presently available for all MAC 10-10 and MAC 10-10A chain saws manufactured to date.

Information about the List and how to use it will be found on the back cover.  
Read the information before you start to use the List.



MAC 10-10  
MAC 10-10A

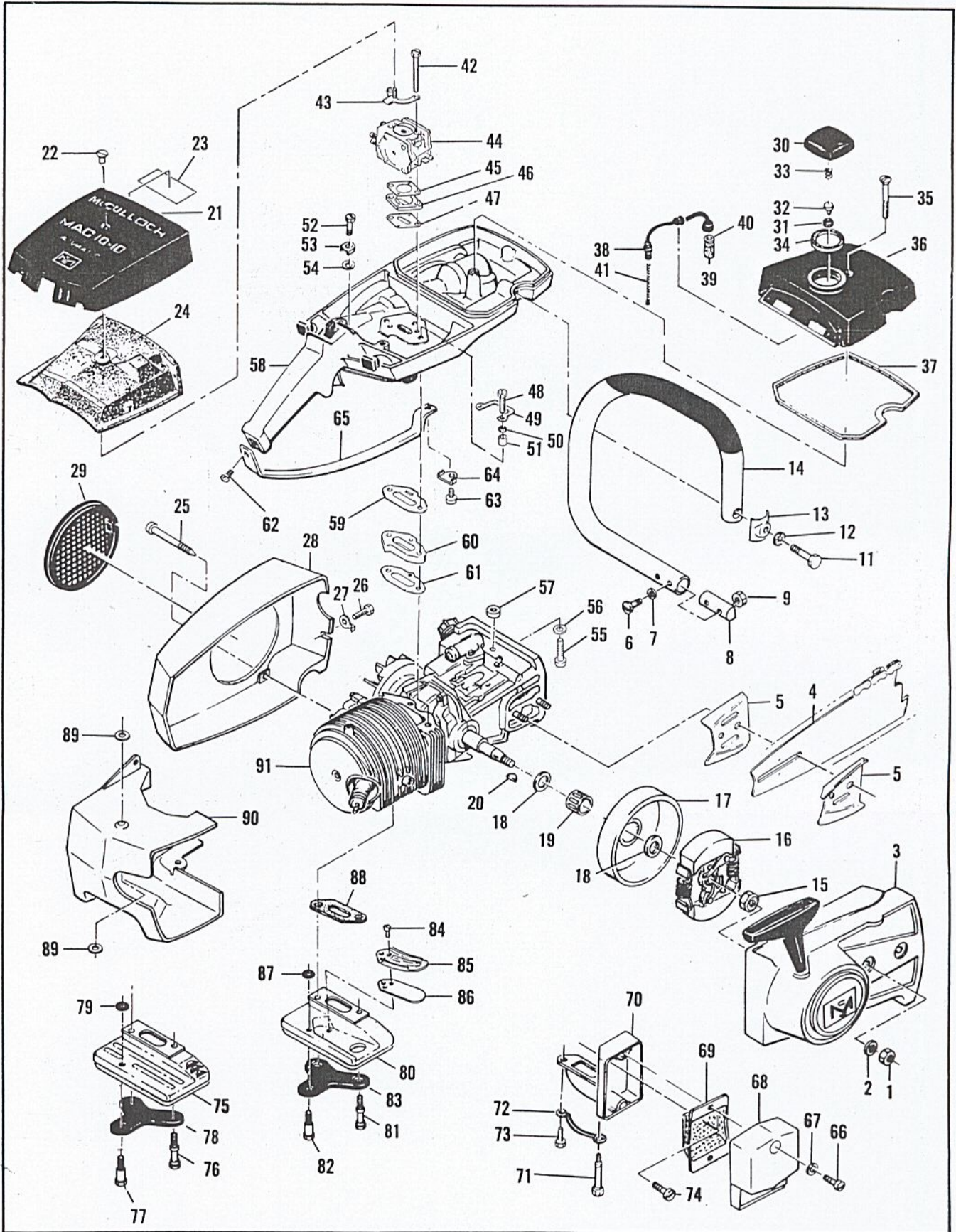


Figure 1. General

Figure 1. General

Item No.	Part Number	Description	Units Per Assy	Usable on Code
MAC 10-10 & MAC 10-10A Usable on Code				
	<b>Model</b>	10-10	10-10A	10-10
	<b>Letter</b>	<b>A</b>	<b>B</b>	<b>C</b>
	<b>Serial Numbers</b>	Prefixed 10-	Prefixed 10-	Prefixed 12-
			Prefixed 11-	Prefixed 16-
1	110454	Nut - Hex 5/16-24 . . . . .	2	All
2	100440	Washer - 5/16 . . . . .	2	All
3		Clutch Guard Assy (see Figure 2) . . . . .		All
4		Bar and Chain Assys . . . . .	1	All
5	64325	Plate - Bar protector . . . . .	2	A,B,C,D
6	102761	Screw - Hex hd 10-24 x 7/8 . . . . .	2	All
7	100352	Washer - #10 . . . . .	2	All
8	61678	Plug - Nut retainer . . . . .	1	All
9	101326	Nut - Hex 10-24 . . . . .	2	All
10		Deleted		
11	102130	Screw - Hex hd 1/4-20 x 1-1/2 . . . . .	1	All
12	100153	Lockwasher - 1/4 . . . . .	1	All
13	63484	Clamp - Frame . . . . .	1	All
14	-69054	Frame & Grip Assy . . . . .	1	A,B,E
	68410	Frame & Grip Assy . . . . .	1	C,D
15	103746	Nut - Hex 3/8-24 . . . . .	1	All
16		Clutch Assy (see Figure 2) . . . . .		All
17	65370	Kit - Sprocket & Drum Assy . . . . .	1	All
18	61692	. Shim - Sprocket . . . . .	2	All
19	110330	Bearing - Sprocket . . . . .	1	All
20	103879	Key - Woodruff . . . . .	1	All
21	68166	Cover Assy - Air cleaner . . . . .	1	A,C
	68445	Cover Assy - Air cleaner . . . . .	1	B,D
	-69033	Cover Assy - Air cleaner . . . . .	1	E
22	65813	. Nut - Cover . . . . .	1	All
23	68177	Plate - Instruction . . . . .	1	B,C,D,E
24	66774	Filter - Air . . . . .	1	All
25	62978	Screw - Special . . . . .	3	All
26	102762	Screw - Hex hd 10-24 x 1/2 . . . . .	1	All
27	-69890	Lockplate . . . . .	1	All
28	-83521	Kit - Fan housing . . . . .	1	All
29	-55615	. Guard - Flywheel . . . . .	1	All
30	68531	Cap Assy - Fuel . . . . .	1	All
31	68533	. Plug . . . . .	1	All
32	63041	. Valve . . . . .	1	All
33	63040	. Spring . . . . .	1	All
34	-69767	. Gasket . . . . .	1	All
35	110334	Screw - Oval hd, 12-24 x 1-3/4 . . . . .	1	All
36	-69684	Cover - Fuel tank . . . . .	1	All
37	-69345	Gasket - Cover . . . . .	1	All
38	64848	Hose Assy - Fuel . . . . .	1	All
39	63932	. Filter - Fuel . . . . .	1	All
40	100440	. Washer . . . . .	1	All
41	67944	Spring - Hose stiffener . . . . .	1	All
42	110551	Screw - Hex hd 10-24 x 2-1/8 . . . . .	2	All
43	66681	Bracket Assy . . . . .	1	A,B
	68807	Bracket Assy . . . . .	1	C,D,E
44		Carburetor Assy (see Figure 4) . . . . .	1	All
45	68132	Gasket - Carburetor . . . . .	1	A,B,C,D
	-83059	Gasket - Carburetor . . . . .	1	E
46	66678	Spacer - Carburetor . . . . .	1	All
47	68131	Gasket - Spacer . . . . .	1	All
48	110553	Screw - Hex hd 10-24 x 1-3/8 . . . . .	2	A,B,C,D
	-110570	Screw - Hex hd 12-24 x 1-3/8 . . . . .	2	E

This list continued on next page

Figure 1. General (Cont.)

Item No.	Part Number	Description	Units Per Assy	Usable on Code
49	68582	Lockplate . . . . .	1	All
50	100003	Washer - #10 . . . . .	2	A,B,C,D
	-102115	Washer - #12 . . . . .	2	E
51	66189	Sleeve . . . . .	2	A,B,C,D
52	110516	Screw - Hex hd 10-24 x 1-1/8 . . . . .	1	A,B,C,D
	-110568	Screw - Hex hd 12-24 x 1-1/8 . . . . .	1	E
53	63475	Lockplate . . . . .	1	A,B
	-69516	Lockplate . . . . .	1	C, D, E
54	64856	Washer - Special . . . . .	1	All
55	-102660	Screw - Skt hd 10-24 x 7/8 . . . . .	1	E
56	-100003	Washer - #10 . . . . .	1	E
57	69772	Spacer - Fuel tank . . . . .	1	E
58		Fuel Tank Assy (see Figure 3) . . . . .		All
59	68130	Gasket - Fuel tank . . . . .	1	A,B,C,D
	-84082	Gasket - Fuel tank . . . . .	1	E
60	67907	Insulator - Fuel tank . . . . .	1	A,B
	66659	Insulator - Fuel tank . . . . .	1	C,D
	-84079	Insulator - Fuel tank . . . . .	1	E
61	68130	Gasket - Insulator . . . . .	1	A,B,C,D
	84082	Gasket - Insulator . . . . .	1	E
62	110353	Screw - Oval hd 10-24 x 3/8 . . . . .	1	A
	106078	Screw - Pan hd 10-24 x 7/16 (SEMS) . . . . .	1	B,C,D,E
63	102289	Screw - Hex hd 10-24 x 3/4 . . . . .	1	A,B,C,D
	-83811	Screw - Special . . . . .	1	E
64	69890	Lockplate . . . . .	1	A,B
	68508	Lockplate . . . . .	1	C,D,E
65	69838	Brace - Handle . . . . .	1	All
	* 68194	Kit - Spark arrester . . . . .	1	A
66	102290	. Screw - Hex hd 10-24 x 1-1/8 . . . . .	2	A
67	110264	. Washer - #10 . . . . .	2	A
68	62380	. Cover . . . . .	1	A
69	62379B	. Baffle . . . . .	1	A
70	-83105	. Body & Duct Assy . . . . .	1	A
71	** -68187	. . Screw - Special . . . . .	1	A
72	67922	. Lockplate . . . . .	1	A
73	110506	Screw - Hex hd 10-24 x 5/8 . . . . .	1	A
74	110341	Screw - Hex hd 10-24 x 1/2 . . . . .	1	A
75	*** 68512	Kit - Muffler . . . . .	1	A,B,C,E
76	67838	. Screw - Muffler long . . . . .	2	A,B,C,E
77	67837	. Screw - Muffler short . . . . .	1	A,B,C,E
78	83993	. Lockplate . . . . .	1	A,B,C,E
79	63993	. Gasket - Muffler screw . . . . .	1	A,B,C,E
80	68863	Kit - Muffler . . . . .	1	D
81	67838	. Screw - Muffler long . . . . .	2	D
82	67837	. Screw - Muffler short . . . . .	1	D
83	-83993	. Lockplate . . . . .	1	D
84	110563	. Screw - Skt hd 8-32 x 1/4 . . . . .	2	D
85	-83069	. Stop - Reed . . . . .	1	D
86	64785	. Reed . . . . .	1	D
87	63993	Gasket - Muffler screw . . . . .	1	D
88	68149	Gasket - Muffler . . . . .	1	A,B,C,D
	** -84007	Gasket - Muffler . . . . .	1	E
89	62085A	Insulator - Shroud . . . . .	2	A,B,C
	68581	Insulator - Shroud . . . . .	2	D,E
90	67910	Shroud . . . . .	1	All
91		Powerhead Assy (see Figure 5) . . . . .		All

\* Serial numbers 10-2453 to 10-5039 inclusive.  
 \*\* Use Screw, P/N 110507, on units with serial numbers 10-2453 to 10-5039 inclusive.  
 \*\*\* Used on all "A" coded units except serial numbers 10-2453 to 10-5039 inclusive.  
 \*\*\* Gasket, P/N 84007, can be used only with Crankcase Assembly, P/N 69993, which has a recessed area on the muffler mounting flange.

Master Illustrated Parts List, P/N 84357, supersedes and cancels all previous lists issued for the Mac 10-10 and Mac 10-10A saws. Discard the following lists:

- IPL 66739, covering Mac 10 saws having serial numbers prefixed 10-.
- IPL 68717, covering Mac 10 saws having serial numbers prefixed 12-.
- IPL 68440, covering Mac 10-10A saws having serial numbers prefixed 10-.
- IPL 68719, covering Mac 10-10A saws having serial numbers prefixed 11-.

Part numbers which have changed since the previous printing of an illustrated parts list covering any of these saws, are indicated by a dash (-) preceding the new part number

### SERVICE SPECIFICATIONS

Spark Plug Gap ----- 0.025 in.  
Lamination Gap ----- 0.010 to 0.015 in.  
Breaker Point Gap ----- 0.018 in.  
Carburetor Adjustment  
Idle Needle - Preliminary adjustment 1 turn open.  
Adjust for smooth idle and acceleration.  
Main Needle - Preliminary adjustment 1 turn open.  
Adjust for maximum power under load.  
Torque Values  
Flywheel Nut ----- 240 to 300 inch-pounds.  
Clutch Nut ----- 160 to 170 inch-pounds.  
Connecting Rod Screws ----- 65 to 70 inch-pounds.

MAC 10-10  
MAC 10-10A

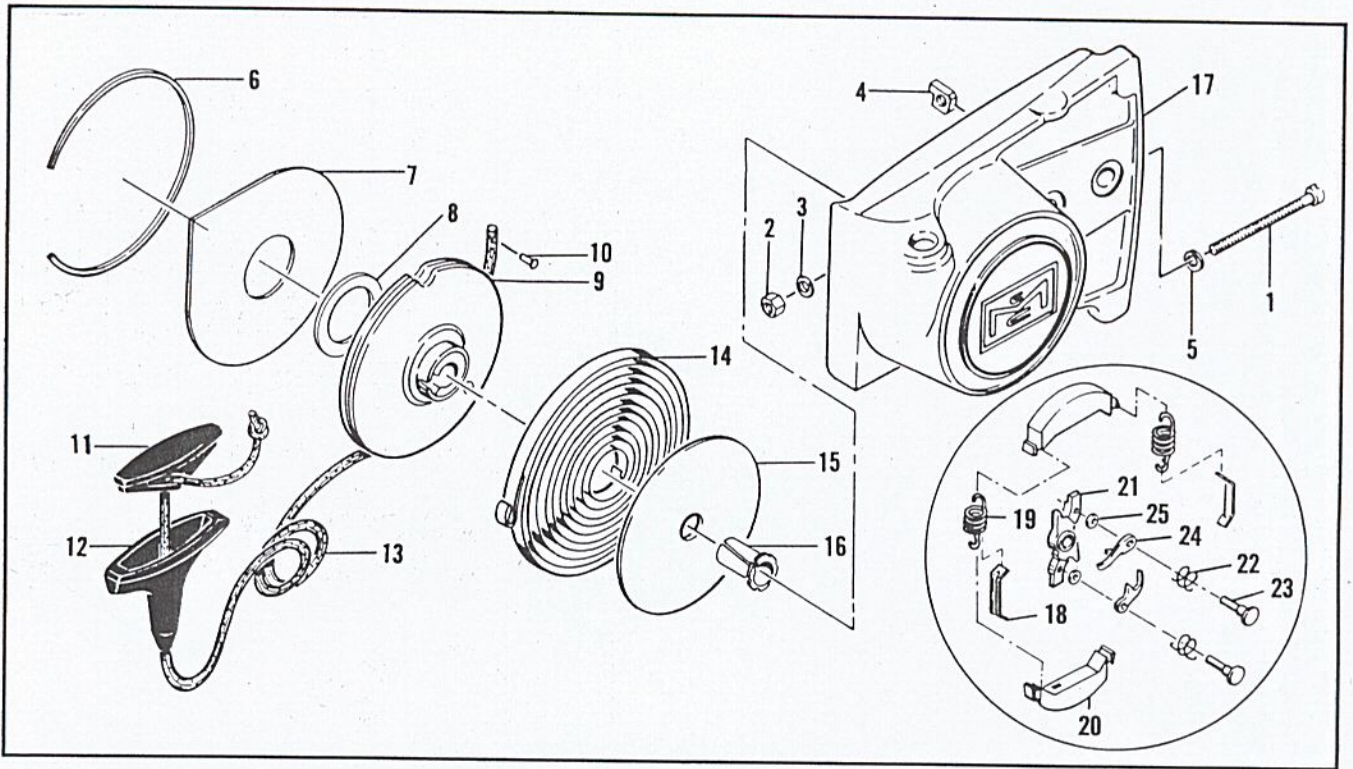


Figure 2. Clutch Guard and Clutch Assemblies

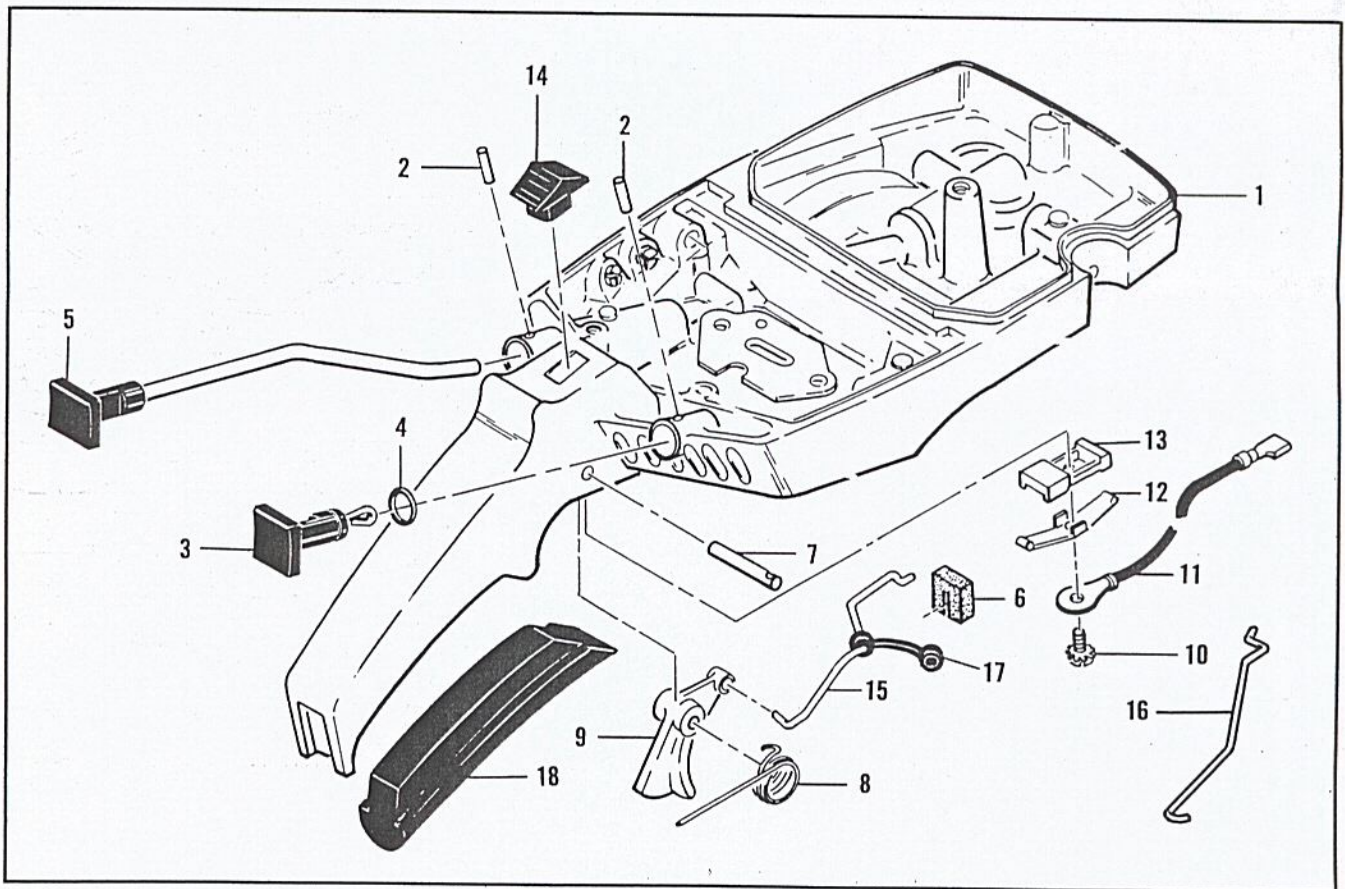


Figure 3. Fuel Tank Assembly

Figure 2. Clutch Guard and Clutch Assemblies

Index No.	Part Number	Description	Units Per Assy	Usable on Code
	-83850	Clutch Guard Assy	1	All
1	102144	. Screw - Bar adjusting	1	All
2	102067	. Nut - Hex 10-24	1	All
3	110387	. Washer - Wave	1	All
4	61705	. Nut - Bar adjusting	1	All
5	101174	. Washer - #10	1	A,B,C,D
	-110264	. Washer - #10	1	E
6	67205	. Retainer - Shield	1	All
7	63985	. Shield - Dust	1	All
8	63986	. Washer - Thrust	1	All
9	-83651	. Drum - Starter	1	All
10	110470	. Rivet - Starter rope	1	All
11	62191A	. Insert - Handle	1	All
12	62190A	. Handle - Starter	1	All
13	-69964	. Rope - Starter	1	All
14	68626	. Spring - Rewind	1	A,B,C,D
	-83334	. Spring - Rewind	1	E
15	63987	. Shield - Spring	1	All
16	61635A	. Bushing - Nyliner	1	All
17	67207	. Guard - Clutch	1	All
	-83224	Clutch Assy	1	All
18	64583	. Retainer - Spring	2	All
19	-83223	. Spring - Clutch	2	All
20	67233	. Shoe - Clutch	2	All
21	67149	. Rotor Assy - Clutch	1	All
22	68837	. Spring - Pawl	2	All
23	67112	. Rivet - Pawl	2	All
24	64857	. Pawl - Starter	2	All
25	65473	. Washer - Special	2	All

MAC 10-10 & MAC 10-10A Usable on Code

Model	10-10	10-10A	10-10	10-10A	10-10
Letter	A	B	C	D	E
Serial Numbers	Prefixed 10-	Prefixed 10-	Prefixed 12-	Prefixed 11-	Prefixed 16-

Figure 3. Fuel Tank Assembly

Index No.	Part Number	Description	Units Per Assy	Usable on Code
1	68683	Fuel Tank Assy	1	All
2	105673	Pin - Roll 3/32 x 9/16	2	All
3	68517	Button - Choke	1	A,B,C,D
	-69041	Button - Choke	1	E
4	101056	"O" Ring	1	All
5	64871	Button & Rod Assy	1	All
6	67989	Seal - Throttle rod	1	A,B,C,D
	-68522	Seal - Throttle rod	1	E
7	110378	Pin - Roll 3/16 x 15/16	1	All
8	65734	Spring - Throttle return	1	All
9	67224	Trigger	1	All
10	103672	Screw - Fil hd 8-32 x 1/2 (SEMS)	1	All
11	62973A	Wire Assy - Stop switch	1	All
12	62451	Contact - Switch	1	All
13	62950A	Base - Switch	1	All
14	62951	Button - Switch	1	All
15	68170	Rod - Throttle	1	All
16	67355	Rod - Choke	1	A,B,C,D
	-69042	Rod - Choke	1	E
17	-69043	Snubber - Rod	1	E
18	64872	Grip - Handle	1	D

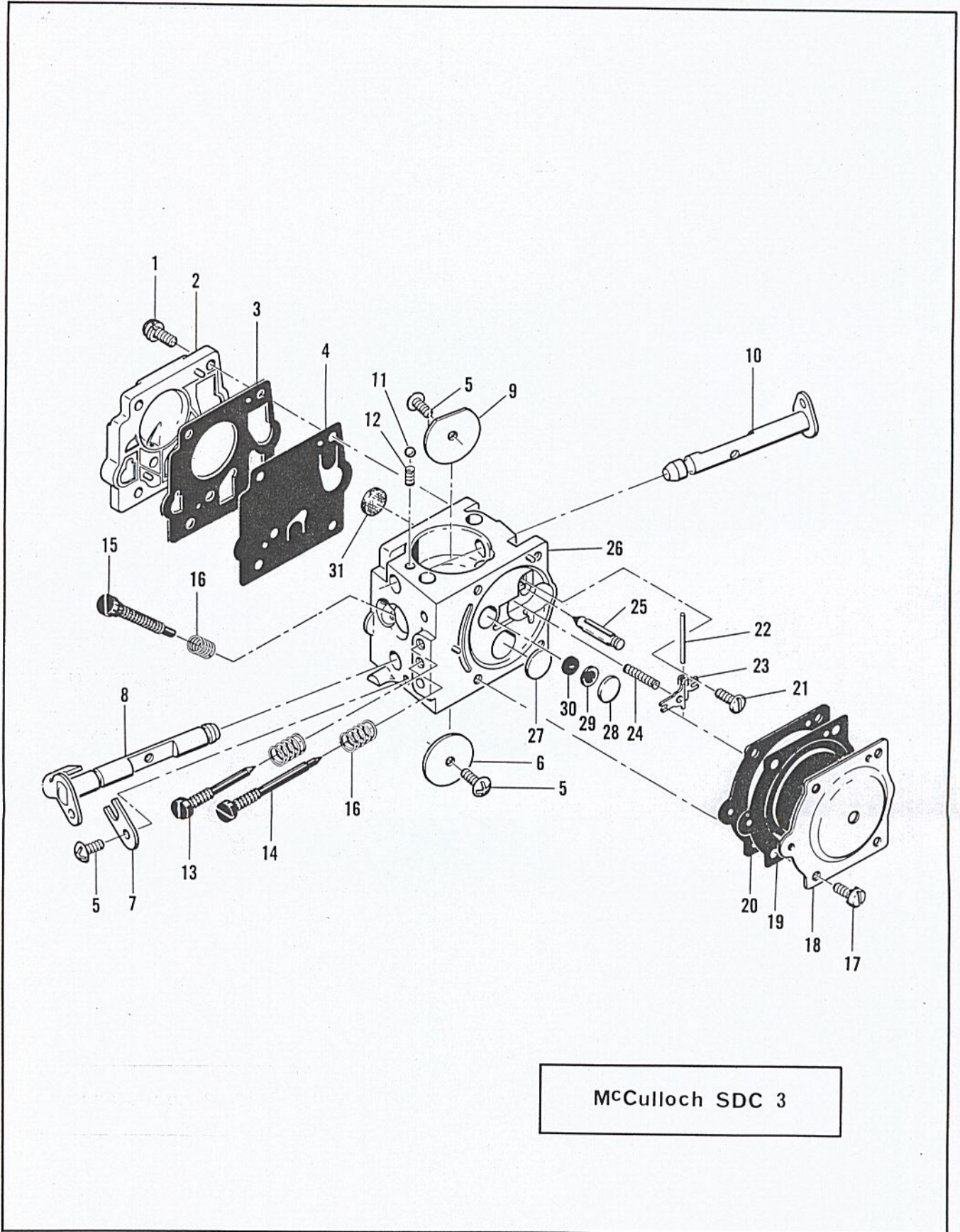


Figure 4. Carburetor Assembly



Figure 4. Carburetor Assembly

Index No.	Part Number	Description	Units Per Assy	Usable on Code		
MAC 10-10 & MAC 10-10A Usable on Code						
	<b>Model</b>	10-10	10-10A	10-10	10-10A	10-10
	<b>Letter</b>	<b>A</b>	<b>B</b>	<b>C</b>	<b>D</b>	<b>E</b>
	<b>Serial Numbers</b>	Prefixed 10-	Prefixed 10-	Prefixed 12-	Prefixed 11-	Prefixed 16-
1	67876	Carburetor Assy . . . . .	1	All		
2	67501	. Screw - Pump cover . . . . .	4	All		
3	67484	. Cover - Pump . . . . .	1	All		
3	* 67495	. Gasket - Cover . . . . .	1	All		
4	* 83114	. Diaphragm - Fuel pump . . . . .	1	All		
5	* 47690	. Screw - Plate . . . . .	1	All		
6	67487	. Plate - Throttle . . . . .	3	All		
7	67489	. Clip - Shaft . . . . .	1	All		
8	67486	. Shaft Assy - Throttle . . . . .	1	All		
9	67490	. Plate - Choke . . . . .	1	All		
10	67488	. Shaft Assy - Choke . . . . .	1	All		
11	* 100302	. Ball - Choke friction . . . . .	1	All		
12	* 67504	. Spring - Choke friction . . . . .	1	All		
13	* 68104	. Needle - High speed . . . . .	1	All		
14	* 68105	. Needle - Idle . . . . .	1	All		
15	* 68106	. Screw - Idle speed . . . . .	1	All		
16	* 67502	. Spring - Needle . . . . .	3	All		
17	70798	. Screw - Diaphragm cover . . . . .	4	All		
18	67485	. Cover - Diaphragm . . . . .	1	All		
19	* 67499	. Diaphragm - Metering . . . . .	1	All		
20	* 67496	. Gasket - Diaphragm . . . . .	1	All		
21	* 67500	. Screw - Lever pin . . . . .	1	All		
22	* 67508	. Pin - Lever . . . . .	1	All		
23	* 67509	. Lever - Inlet . . . . .	1	All		
24	* 67503	. Spring - Lever . . . . .	1	All		
25	* 67491	. Valve - Needle . . . . .	1	All		
26	68103	. Body Assy - Carburetor . . . . .	1	All		
27	* 71690	. . Plug - 3/8 . . . . .	1	All		
28	* 69506	. . Plug - 5/16 . . . . .	1	All		
29	69203	. . Seat Assy . . . . .	1	All		
30	69204	. . Valve . . . . .	1	All		
31	* 67507	. . Screen - Fuel . . . . .	1	All		
	* 67482	Gasket Set . . . . .				
	68107	Repair Kit . . . . .				

\* Indicates parts included in Repair Kit P/N 68107.

MAC 10-10  
MAC 10-10A

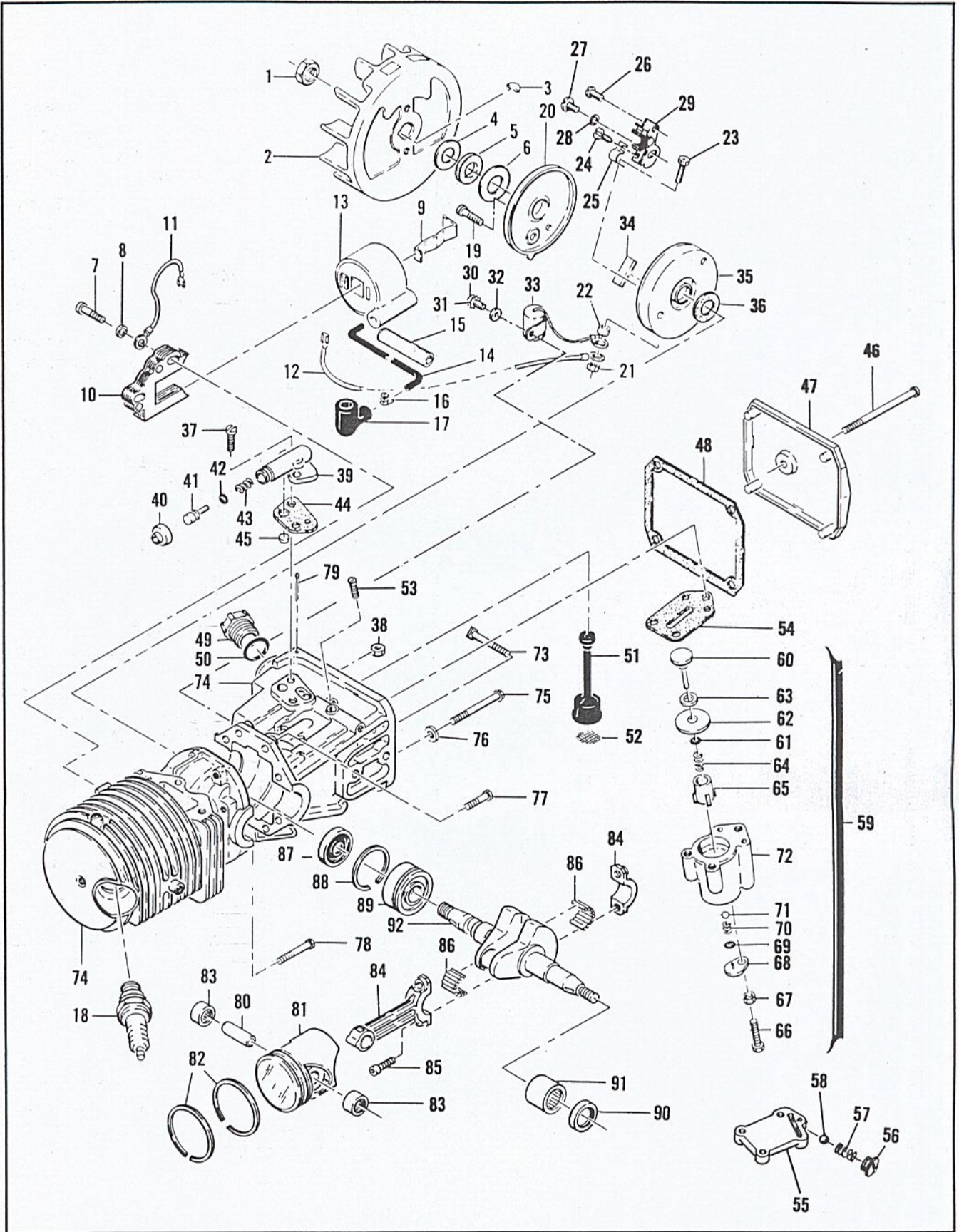


Figure 5. Powerhead Assembly

Figure 5. Powerhead Assembly

Index No.	Part Number	Description	Units Per Assy	Usable on Code		
MAC 10-10 & MAC 10-10A Usable on Code						
	<b>Model</b>	10-10	10-10A	10-10	10-10A	10-10
	<b>Letter</b>	<b>A</b>	<b>B</b>	<b>C</b>	<b>D</b>	<b>E</b>
	<b>Serial Numbers</b>	Prefixed 10-	Prefixed 10-	Prefixed 12-	Prefixed 11-	Prefixed 16-
1	101391	Nut - Hex 3/8-24	1	A,B,C,D		
	-110594	Nut - Hex 3/8-24	1	E		
2	61737A	Flywheel Assy	1	All		
3	103879	Key - Woodruff	1	All		
4	67057	Washer - Thrust	1	All		
5	67056	Seal	1	All		
6	67054	Washer - Thrust	1	All		
7	101965	Screw - Hex hd 10-24 x 7/8 (SEMS)	2	A,B		
	110127	Screw - Hex hd 10-24 x 7/8 (SEMS)	2	C,D,E		
8	100003	Washer - #10	2	All		
9	51253	Retainer - Coil	1	All		
10	68164	Lamination Assy	1	All		
11	62819	Wire Assy - Ground	1	All		
12	69344	Wire Assy - Primary	1	All		
13	-69798	Kit - Coil & Terminal Assy	1	All		
14	-69966	Wire & Sleeve Assy - Spark plug	1	All		
15	67127	Sleeve	1	All		
16	62932	Connector	1	All		
17	62926	Boot	1	All		
18	63097	Spark Plug	1	All		
19	110349	Screw - Rd hd 8-32 x 3/4	1	All		
20	62362	Cover - Breaker box	1	All		
21	100298	Nut - Hex 6-32	1	All		
22	62365	Spacer - Breaker screw	1	All		
23	110346	Screw - Hex hd 6-32 x 3/4	1	All		
24	-110489	Screw - Pan hd 6-32 x 7/16 s/t	1	E		
25	-83126	Strap - Conduction	1	E		
26	100934	Screw - Rd hd 8-32 x 3/8	1	All		
27	100934	Screw - Rd hd 8-32 x 3/8	1	A,B,C,D		
	-110445	Screw - Truss hd 8-32 x 3/8	1	E		
28	105976	Washer - #8	1	All		
29	62363	Breaker Assy	1	A,B,C,D		
	-66231	Breaker Assy	1	E		
30	105249	Screw - Rd hd 8-32 x 3/8 (SEMS)	1	A,B		
	110623	Screw - Fil hd 8-32 x 1/2	1	C,D		
	-103672	Screw - Fil hd 8-32 x 1/2	1	E		
31	100252	Lockwasher - #8	1	C,D		
32	100080	Washer - #8	1	All		
33	61650	Condenser	1	All		
34	54184	Wiper - Cam	1	All		
35	62361	Box - Breaker	1	A,B,C,D		
	-83125	Box - Breaker	1	E		
36	67051	Seal	1	All		
37	-110623	Screw - Fil hd 8-32 x 1/2	2	All		
38	100955	Nut - Hex 8-32	1	All		
39	62261A	Housing - Pump	1	All		
40	62262	Cap - Housing	1	All		
41	62266	Plunger - Pump	1	All		
42	101056	"O" Ring	1	All		
43	66687	Spring - Plunger	1	All		
44	62230	Gasket - Pump	1	All		
45	62909	Valve - Pump	1	All		
46	110291	Screw - Pan hd 10-24 x 2-5/8	1	All		
47	63072	Cover - Oil tank	1	All		
48	62116	Gasket - Cover	1	All		

This list continued on next page

Figure 5. Powerhead Assembly (Cont.)

Index No.	Part Number	Description	Units Per Assy	Usable on Code
49	57129A	Cap - Oil tank	1	A,B,C,D
	-68809	Cap - Oil tank	1	E
50	101148	"O" Ring	1	All
51	62123B	Hose Assy - Oil	1	All
52	51506	Screen - Hose	1	All
53	110333	Screw - Oval hd 8-32 x 1/2	3	All
54	62274	Gasket - Pump	1	All
55	68711	Body Assy - Check valve	1	A,C,E
56	68714	Screw - Special	1	A,C,E
57	63034	Spring - Check valve	1	A,C,E
58	100071	Ball - 5/32 in. dia.	1	A,C,E
59	-83134	Pump Assy - Pulse	1	B,D
60	60260A	Piston Assy - Pump	1	B,D
61	104001	"O" Ring	1	B,D
62	60263	Ring - Piston	1	B,D
63	60937	Washer - Teflon	1	B,D
64	60259	Spring - Piston oiler	1	B,D
65	62227	Sleeve - Adjustment	1	B,D
66	110386	Screw - Hex hd 8-32 x 1	1	B,D
67	100251	Nut - Hex 8-32	1	B,D
68	63858	Cover - Outlet valve	1	B,D
69	106104	"O" Ring	1	B,D
70	62885A	Spring - Outlet valve	1	B,D
71	102809	Ball - Valve	1	B,D
72	-83128	Body Assy - Pump	1	B,D
73	62065	Bolt - Bar mounting	2	All
74	67908	Crankcase Assy	1	A,B,C,D
	*-69993	Crankcase Assy	1	E
75	62105	Screw Assy - Sealing	4	All
76	62842	Washer - Sealing	4	All
77	110288	Screw Assy - Hex 8-32 x 3/4	3	All
78	110618	Screw Assy - Hex 8-32 x 1-3/8	1	All
79	100010	Pin - Cotter	1	All
80	61649	Pin - Piston	1	All
81	-69212	Piston Assy	1	All
82	62814	Ring Set - Piston	1	All
83	103512	Bearing - Needle	2	A,B,C,D
	-103085	Bearing - Needle	2	E
84	65401	Connecting Rod Assy	1	All
85	61627A	Screw - Skt hd special	2	All
86	63225	Roller - Needle (set of 20)	1	All
87	67906	Seal - Oil	1	All
88	63464	Ring - Snap	1	All
89	67905	Bearing - Ball	1	All
90	65747	Seal - Oil	1	A,B,C,D
	-110260	Seal - Oil	1	E
91	104357	Bearing - Needle	1	All
92	63336	Crankshaft	1	All

\* Crankcase Assembly, P/N 69993, requires Muffler Gasket, P/N 84007, for mounting in a recessed area on the muffler mounting flange.

Accessories

Index No.	Part Number	Description	Units Per Assy	Usable on Code
MAC 10-10 & MAC 10-10A Usable on Code				
	<b>Model</b>	10-10	10-10A	10-10
	<b>Letter</b>	<b>A</b>	<b>B</b>	<b>C</b>
	<b>Serial Numbers</b>	Prefixed 10-	Prefixed 10-	Prefixed 12-
			Prefixed 11-	Prefixed 16-
-69210		Piston Assy - 0.020 in. oversize		
62813		. Ring Set - Piston 0.020 in. oversize		
103085		. Bearing - Needle (2)		
-69211		Piston Assy - 0.030 in. oversize		
62812		. Ring Set - Piston 0.030 in. oversize		
103085		. Bearing - Needle (2)		
63432		Spark Plug - AC CS 42T		
65778		Spark Plug - AC CS 41T		
65712		Guide - Timing		
64330		Bar Plate Set		
-69058		Kit - Wrap-around frame		
63341A		Kit - Spike		
63746		Scrench		
62827		Wrench - Screwdriver		

### 40:1 TWO-CYCLE MOTOR OIL

Reduces smoke, carbon and engine wear.



6 oz. can #78960  
6-pack #78961  
16oz. can #78963  
6-pack #78964  
1qt. bottle #110626

### CHAIN, BAR AND SPROCKET OIL

Specially designed for extra lubrication of bars and chains.



1 qt. bottle #110631  
Case of 24 #110632

### BAR GUARDS

Protect bar and chain from accidental damage.



A



B

Black Polyvinylchloride

(A) for wide bars #56927

(B) narrow bars #64930



C



D

Rigid Yellow Plastic

(C) MAC 10-16, 20" #66544

(D) PM6-12, 16" #83124

### LOCQUIC AND

Primer. Cleans, degreases, and accelerates curing.

7-1/2 oz. spray can. #69794



### LOCTITE

Sealant, bonding agent

10cc plastic bottle



#67537

### SPRAY PAINT

Black

12 oz. can #103503  
Case of 12 #103400

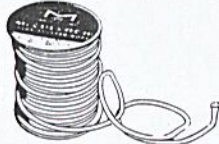


Yellow

12 oz. can #102249  
Case of 12 #102464

### STARTER ROPE

Solid, braided nylon



100' spool

#36825

### PRESSURE TEST TOOLS





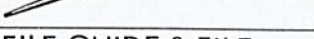
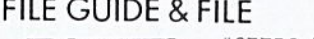



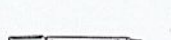
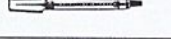
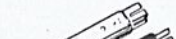




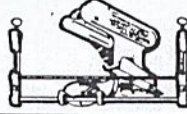
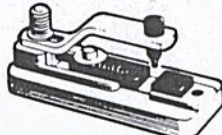
For leakage check of crankcase, fuel system.



Basic unit #62849

### CHAIN SHARPENING TOOLS

The ● shows which tools are used on chains . . . .

	S-25	SM-57	S-40	S-80	S-90
<b>McCULLOCH FILES</b>					
 1/8" round	●				
 5/32" round	●	●			
 3/16" round		●			
 7/32" round			●		
 1/4" round				●	
 9/32" round					●
 8" flat	●	●	●	●	●
 6" flat safety	●	●	●	●	●
<b>FILE GUIDE &amp; FILE</b>					
 #67750 (1/8" round)	●				
 #60950 (7/32" round)			●		
 (Also holds 3/16 and 1/4" round)				●	
<b>DEPTH GAUGE TOOLS</b>					
 #56241 .045-.060"				●	●
 #64198 .035-.060"			●	●	●
 #64359 .045-.050"			●	●	●
 #67688 .015-.020"	●				
 #67680 .025-.030"	●	●	●	●	●
<b>FILE-N-JOINT</b> Assures correct filing angle, height.					
 #61034	●	●	●	●	●
<b>"BREAK ALL" CHAIN BREAKER</b>					
Required when repairing chain.					
 #61753					
Instructions included.					