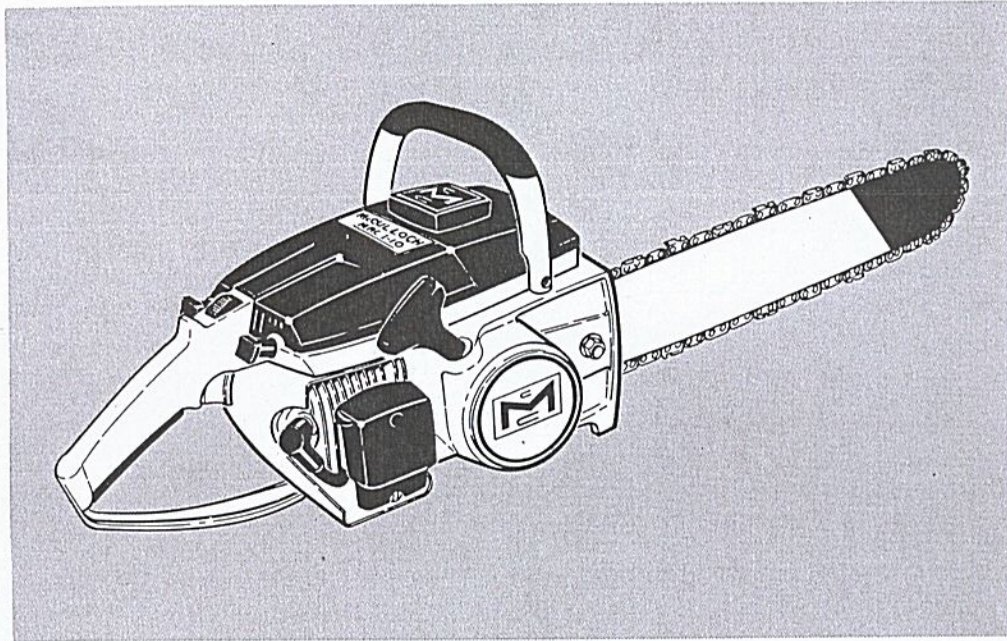


# MAC 1-10 Chain Saw

## ILLUSTRATED PARTS LIST



October 1966

The following pages contain item-numbered illustrations of the service parts for this saw. Facing each illustration are lists which give the description and the quantity of each service part.

Part numbers will be found on the appropriate parts list sheet covering the serial number block of the particular saw. Locate the figure and item in this book, of the part in which you are interested. Then turn to the appropriate parts list sheet and following the figure and item number will be found the correct part number of the service part.

When changes in this parts list occur, either in the illustrations, in part numbers or in quantities used, these differences will be explained or shown on a superseding parts list sheet.

	Page
Figure 1. Engine Exploded View - General	2
Figure 2. Clutch Guard & Starter Assembly	4
Figure 3. Fuel Tank Assembly	4
Figure 4. Carburetor Assembly	6
Figure 5. Powerhead Assembly	8
Figure 6. Bar and Chain Assembly	10



# McCULLOCH

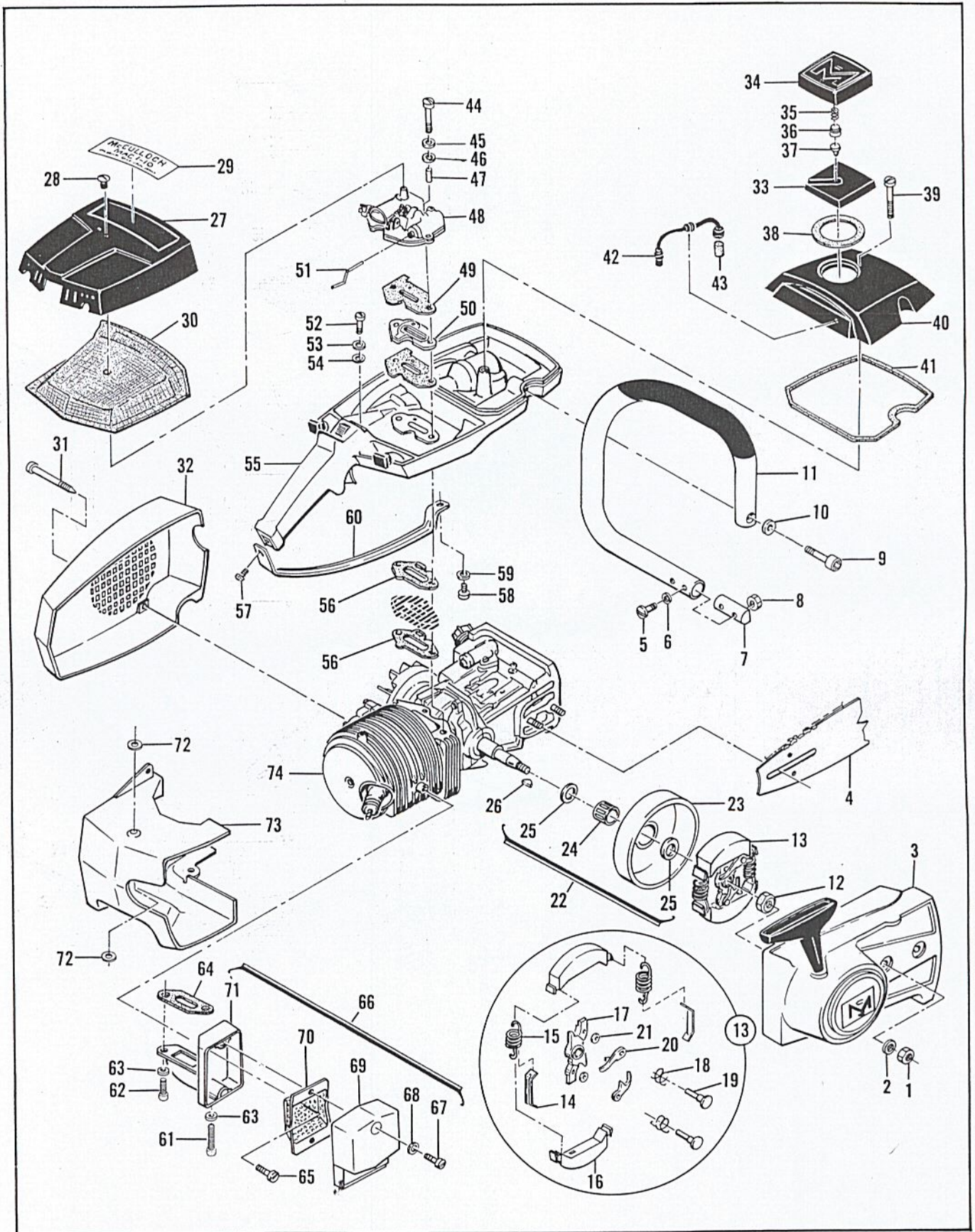


Figure 1. Engine Exploded View - General

FIGURE 1. ENGINE EXLODED VIEW — GENERAL

Item No.	Description	Units Per Assy
1	Nut - Hex 5/16-24	2
2	Washer - 5/16	2
3	Clutch Guard & Starter Assy (See Figure 2)	1
4	Bar & Chain Assy (See Figure 6)	1
5	Screw - Hex hd 10-24 x 7/8	2
6	Washer - #10	2
7	Plug - Nut retainer	1
8	Nut - Hex 10-24	2
9	Screw - Skt hd 1/4-20 x 1-1/8	1
10	Washer	1
11	Frame & Grip Assy	1
12	Nut - Flexloc 3/8-24	1
13	Clutch Assy	1
14	. Retainer - Clutch spring	2
15	. Spring - Clutch	2
16	. Shoe - Clutch	2
17	. Rotor Assy - Clutch	1
18	. . Spring - Pawl	2
19	. . Rivet - Pawl	2
20	. . Pawl - Starter	2
21	. . Washer - Special	2
22	Kit - Sprocket, Drum & Bearing Assy	1
23	. Sprocket & Drum Assy (7-tooth spkt)	1
24	. Bearing - Sprocket drum	1
25	. Shim - Sprocket	2
26	Key - Woodruff	1
27	Cover Assy - Air cleaner	1
28	. Nut - Air cleaner cover	1
29	Nameplate - MAC 1-10	1
30	Screen - Air cleaner	1
31	Screw - Special	3
32	Fan Housing	1
33	Cap Assy - Fuel	1
34	. Cover - Fuel cap	1
35	. Spring	1
36	. Guide - Spring	1

Item No.	Description	Units Per Assy
37	. Valve	1
38	. Gasket	1
39	Screw - Oval hd 12-24 x 1-3/4	1
40	Cover - Fuel tank	1
41	Gasket - Fuel tank cover	1
42	Hose Assy - Fuel	1
43	. Filter - Fuel	1
44	Screw - Hex hd 10-24 x 2	2
45	Washer - #10	2
46	Washer - Insulator	2
47	Sleeve - Insulator	2
48	Carburetor Assy (See Figure 4)	1
49	Gasket - Carburetor	2
50	Insulator - Carburetor	1
51	Rod - Primer	1
52	Screw - Hex hd 10-24 x 1-1/8	1
53	Washer - #10	1
54	Washer - Insulator	1
55	Fuel Tank Assy (See Figure 3)	1
56	Gasket - Fuel tank	2
57	Screw - Oval hd 10-24 x 3/8	1
58	Screw - Hex hd 10-24 x 3/4	1
59	Washer - #10	1
60	Brace - Handle	1
61	Screw - Skt 10-24 x 1-3/8	1
62	Screw - Skt 10-24 x 5/8	1
63	Washer - #10	2
64	Gasket - Spark arrester	1
65	Screw - Hex hd 10-24 x 1/2	1
66	Kit - Spark arrester assy	1
67	. Screw - Fil hd 10-24 x 1-1/8	2
68	. Washer - #10	4
69	. Cover Assy - Spark arrester	1
70	. Baffle - Spark arrester	1
71	. Body & Duct Assy - Spark arrester	1
72	Insulator - Shroud	2
73	Shroud - Cylinder	1
74	Powerhead Assy (See Figure 5)	1

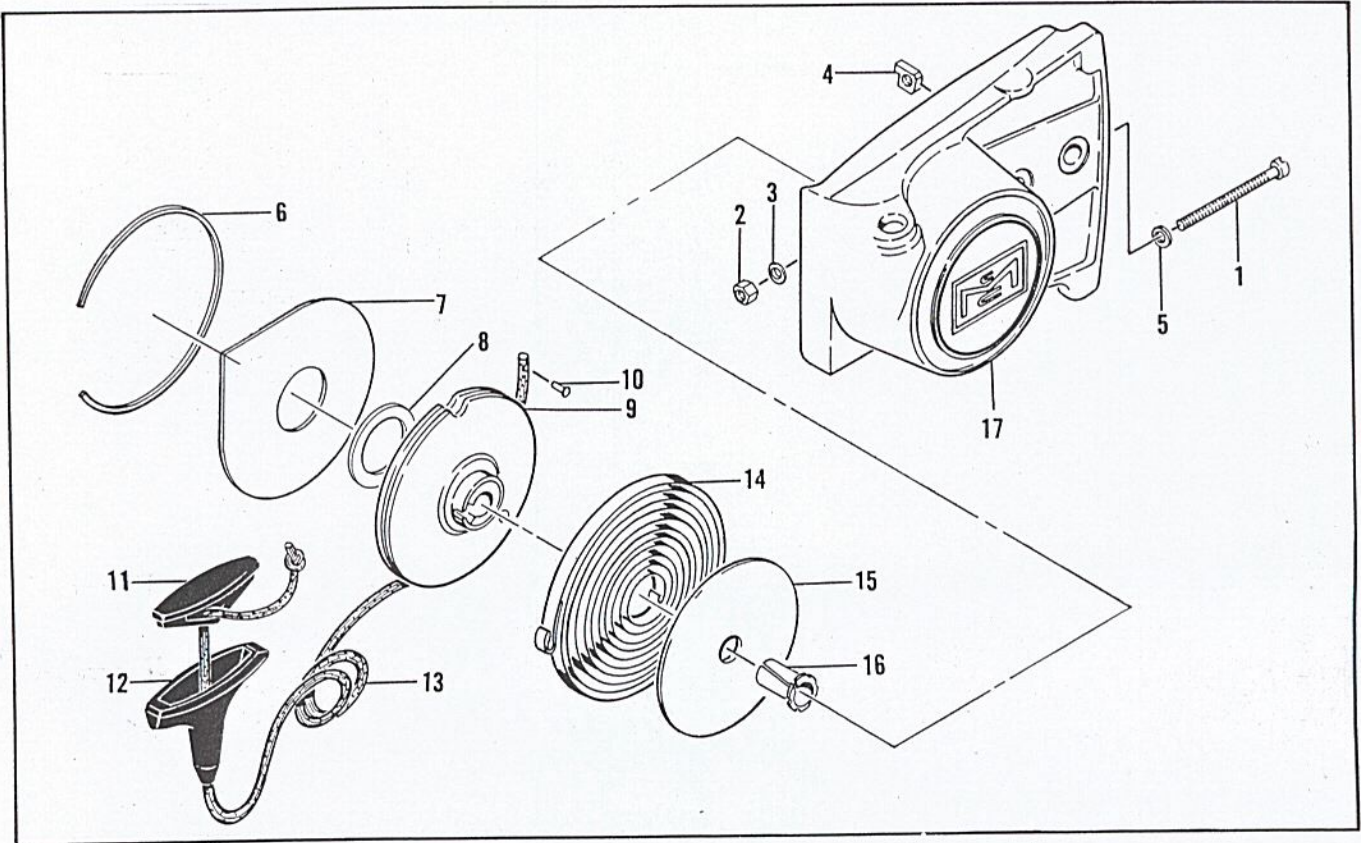


Figure 2. Clutch Guard and Starter Assembly

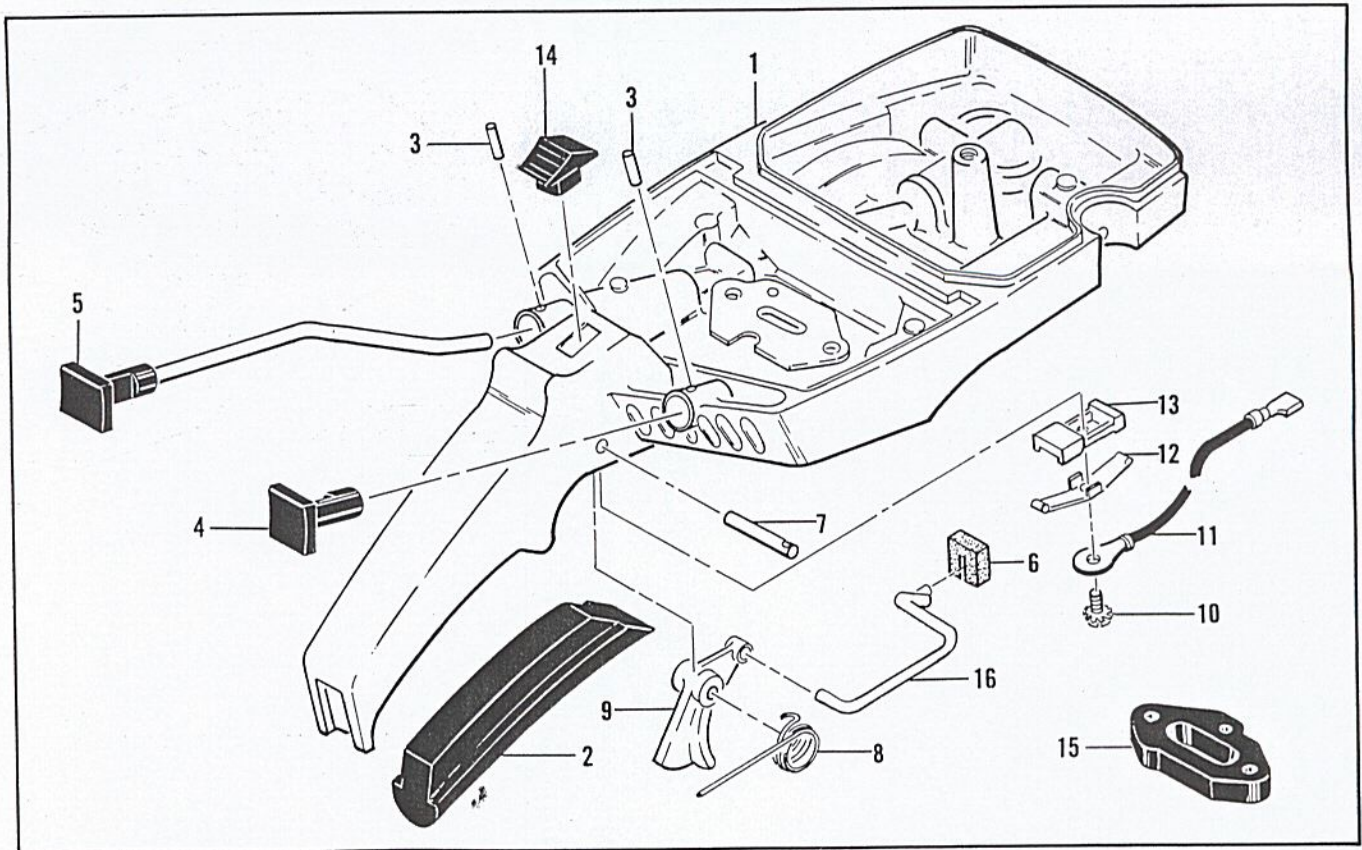


Figure 3. Fuel Tank Assembly

FIGURE 2. CLUTCH GUARD AND STARTER ASSEMBLY

Item No.	Description	Units Per Assy
	Clutch Guard Assy	1
1	. Screw - Bar adjusting	1
2	. Nut - Hex #10 lock	1
3	. Washer - Wave	1
4	. Nut - Bar adjusting	1
5	. Washer - #10	1
6	. Retainer - Shield	1
7	. Shield - Dust	1
8	. Washer - Thrust	1

Item No.	Description	Units Per Assy
9	. Drum - Starter	1
10	. Rivet - Starter rope	1
11	. Insert - Starter rope	1
12	. Handle - Starter	1
13	. Rope - Starter	1
14	. Spring - Starter rewind	1
15	. Shield - Starter spring	1
16	. Bushing - Nyliner	1
17	. Guard - Clutch	1

FIGURE 3. FUEL TANK ASSEMBLY

Item No.	Description	Units Per Assy
1	Kit - Fuel tank assy	1
2	. Grip - Handle	1
3	. Roll Pin - 3/32 x 9/16	2
4	. Button - Primer	1
5	. Button & Rod Assy - Oiler	1
6	. Seal - Throttle rod	1
7	. Roll Pin - 3/16 x 15/16	1
8	. Spring - Throttle return	1

Item No.	Description	Units Per Assy
9	. Trigger - Throttle	1
10	. Screw - Fil hd 8-32 x 1/2 (SEMS)	1
11	. Wire Assy - Stop switch	1
12	. Contact - Ignition switch	1
13	. Base - Ignition switch	1
14	. Button - Ignition switch	1
15	. Insulator - Fuel tank	1
16	Rod - Throttle	1

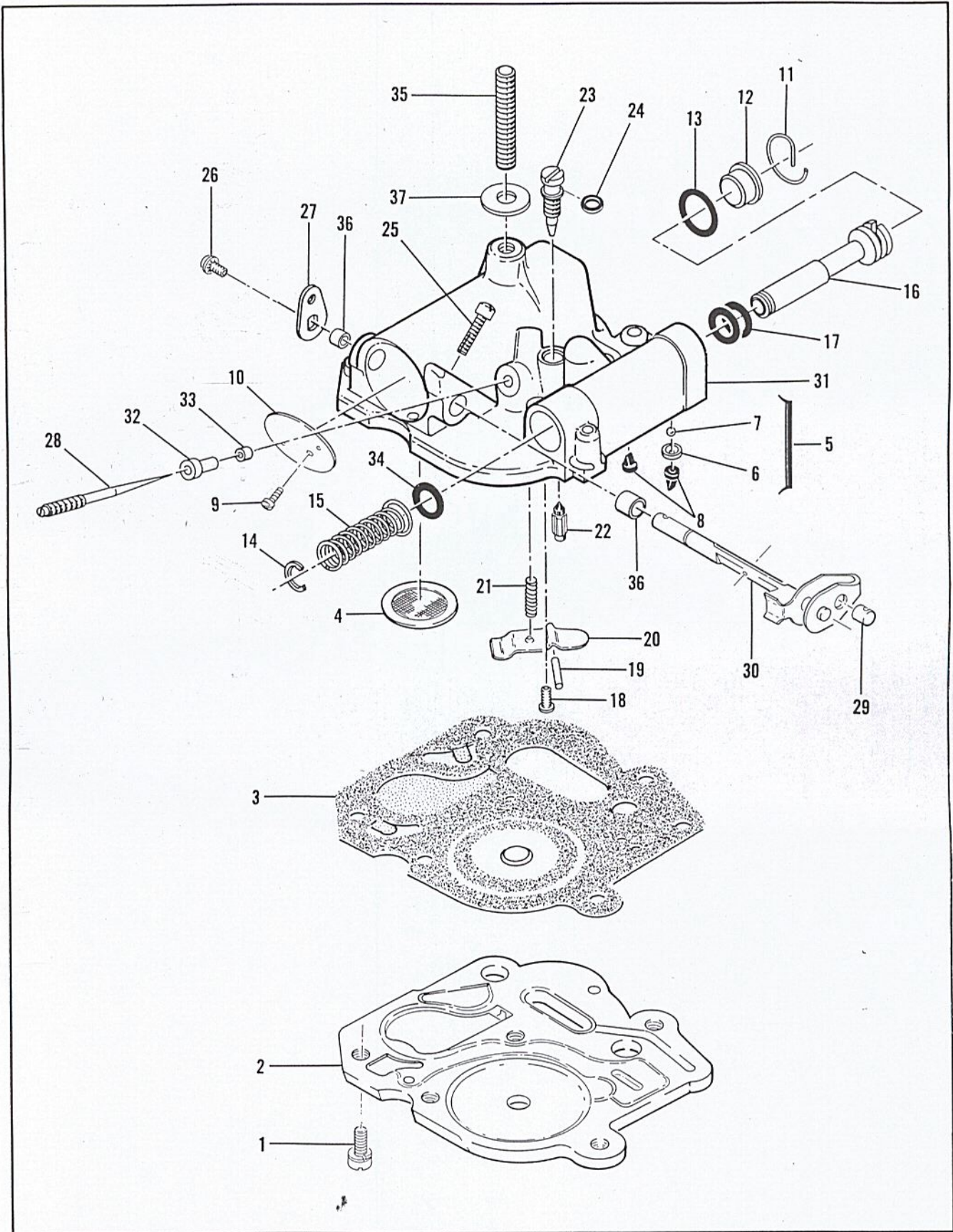


Figure 4. Carburetor Assembly

FIGURE 4. CARBURETOR ASSEMBLY

Item No.	Description	Units Per Assy
	Carburetor Assy	1
1	. Screw - Pan hd 8-32 x 7/16	5
2	. Plate - Carburetor base	1
3	. Diaphragm Assy - Pump	1
4	. Seal - Capillary	1
5	. Set - Ball and seat	1
6	. . Seat	1
7	. . Ball	1
8	. Valve - Primer	2
9	. Screw - 4-40 x 1/4 (SEMS)	1
10	. Plate - Throttle	1
11	. Retainer - Primer plug	1
12	. Plug - Primer	1
13	. "O" Ring	1
14	. Ring - Retaining	1
15	. Spring - Plunger	1
16	. Plunger - Primer	1
17	. "O" Ring	2
18	. Screw - 6-32 x 1/4	1

Item No.	Description	Units Per Assy
19	. Pin - Inlet lever	1
20	. Lever - Inlet	1
21	. Spring - Inlet lever	1
22	. Valve - Needle	1
23	. Needle - Main fuel	1
24	. "O" Ring	1
25	. Screw - Adjustment	1
26	. Screw - 4-40 x 1/4 (SEMS)	1
27	. Lever - Throttle	1
28	. Needle - Metering	1
29	. Swivel - Needle	1
30	. Shaft Assy - Carburetor	1
31	. Body Assy - Carburetor	1
32	. . Orifice - Air	1
33	. . Orifice - Fuel	1
34	. . "O" Ring	1
35	. . Stud - Carburetor	1
36	. . Bushing - Throttle shaft	2
37	Seal - Air cleaner	1

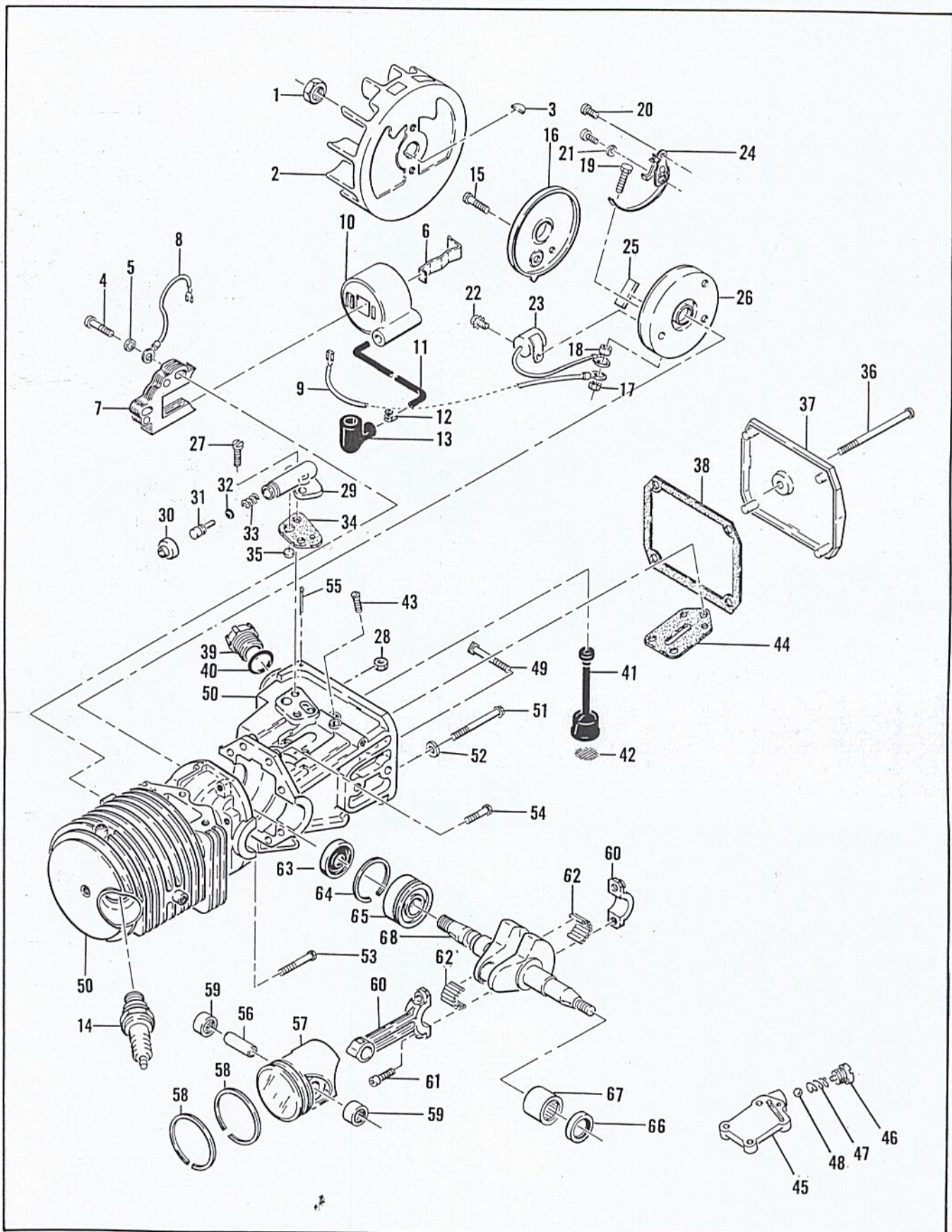


Figure 5. Powerhead Assembly



FIGURE 5. POWERHEAD ASSEMBLY

Item No.	Description	Units Per Assy
1	Nut - Hex 3/8-24	1
2	Flywheel Assy	1
3	Key - Flywheel	1
4	Screw - Fil hd 10-24 x 7/8 (SEMS)	2
5	Washer - #10	2
6	Retainer - Coil	1
7	Lamination Assy	1
8	Wire Assy - Ground	1
9	Wire Assy - Primary	1
10	Coil & Terminal Assy	1
11	. Wire Assy - Spark plug	1
12	. . Connector	1
13	. . . Boot	1
14	Spark Plug (packaged)	1
15	Screw - Rd hd 8-32 x 3/4	1
16	Cover - Breaker box	1
17	Nut - Hex 6-32	1
18	Spacer - Breaker screw	1
19	Screw - Hex hd 6-32 x 3/4	1
20	Screw - Rd hd 8-32 x 3/8	2
21	Washer - #8	1
22	Screw - Rd hd 8-32 x 3/8 (SEMS)	1
23	Condenser	1
24	Breaker Assy	1
25	Wiper - Cam	1
26	Box - Breaker	1
27	Screw - 8-32 x 1/2	2
28	Nut - Hex 8-32	1
29	Pump Assy - Oil	1
30	. Cap - Oil pump	1
31	. Plunger - Oil pump	1
32	. "O" Ring	1
33	. Spring - Oil pump	1
34	Gasket - Oil pump	1

Item No.	Description	Units Per Assy
35	Valve - Oil pump	1
36	Screw - Pan hd 10-24 x 2-3/4	1
37	Cover - Oil tank	1
38	Gasket - Oil tank cover	1
39	Cap - Oil	1
40	"O" Ring	1
41	Hose Assy - Oil	1
42	. Screen - Oil hose	1
43	Screw - Oval hd 8-32 x 1/2	3
44	Gasket - Pulse pump	1
45	Body Assy - Manual oiler	1
46	. Screw - Check valve	1
47	. Spring - Check valve	1
48	. Ball - Check valve	1
49	Bolt - Bar mounting	2
50	Cylinder - Crankcase Assy	1
51	. Screw Assy - Sealing	4
52	. . Washer - Sealing	4
53	. Screw Assy - 8-32 x 1-1/8	1
54	. Screw Assy - 8-32 x 3/4	3
55	. Cotter Pin - 3/32 x 1/2	1
56	Pin - Piston	1
57	Piston Assy	1
58	. Ring Set - Piston	1
59	. Bearing - Needle	2
60	Connecting Rod Assy	1
61	. Screw - Socket hd 8-36 x 1/2	2
62	. Roller - Needle (set of 20)	1
63	Oil Seal	1
64	Ring - Snap	1
65	Bearing - Ball	1
66	Oil Seal	1
67	Bearing - Needle	1
68	Crankshaft	1

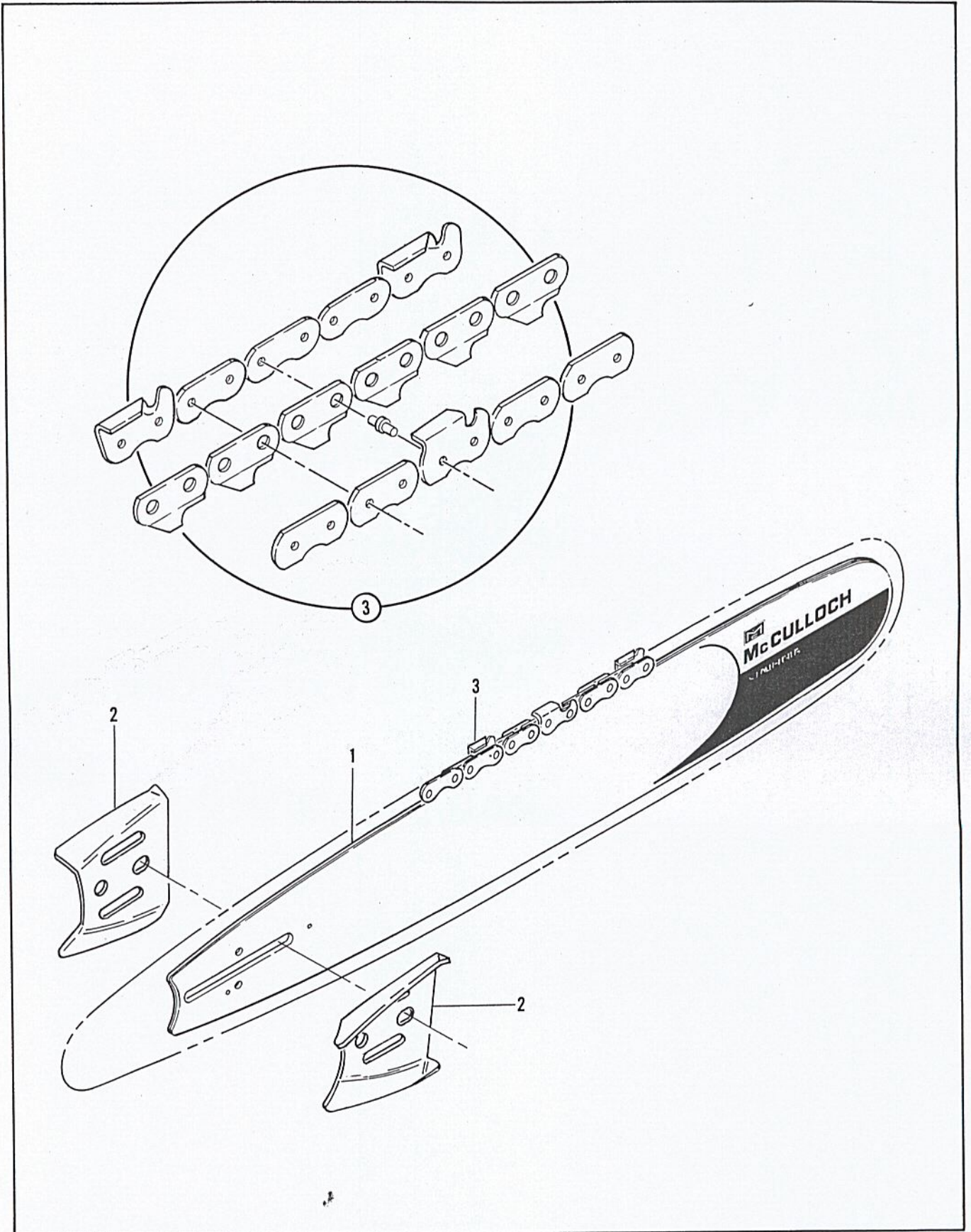


Figure 6. Bar and Chain Assemblies

FIGURE 6. BAR AND CHAIN ASSEMBLIES

Item No.	Description
1	Bar
2	Bar Protector Plate
3	Chain Assy

## TOOLS AND ACCESSORIES

Item No.	Description
1	Owner's Manual
2	Wrench - Screwdriver combination
3	Kit - Spike, 4-tooth
4	Piston Assy - 0.020 in. oversize
5	. Ring Set - Piston 0.020 in. oversize
6	. Bearing - Needle (2)
7	Piston Assy - 0.030 in. oversize
8	. Ring Set - Piston 0.030 in. oversize
9	. Bearing - Needle (2)

Item No.	Description
10	Kit - Wrap-around frame
11	Baffle - Spark arrester (alternate)
12	Kit - Combination wrench
13	Kit - Reed spark arrester
14	Tool - Fuel orifice
15	Probe - Carburetor test
16	Spark Plug - AC CS 42T
17	Spark Plug - AC CS 41T

Figure and Item numbers are referenced to the MAC 1-10 Illustrated Parts List, P/N 65633 unless otherwise indicated on this parts list sheet. Numbers in black circles refer to notes at the bottom of the page. Numbers in parenthesis following the part number indicate a quantity change from the illustrated parts list.

# MAC 1-10

Serial Numbers Prefixed 1-

FIG & ITEM	PART NUMBER	FIG & ITEM	PART NUMBER	FIG & ITEM	PART NUMBER	FIG & ITEM	PART NUMBER
1-1	110454	1-61	104534	4-6	65824	5-27	100414
1-2	100440	1-62	104895	4-7	61151	5-28	100955
1-3	Fig. reference	1-63	110264	4-8	63041	5-29	62319A
1-4	Fig. reference	1-64	62337	4-9	104814	5-30	62262
1-5	102761	1-65	110341	4-10	62290A	5-31	62266
1-6	100352	1-66	65905	4-11	65677	5-32	101056
1-7	61678	1-67	103360	4-12	65617	5-33	59934
1-8	101326	1-68	110264	4-13	105617	5-34	62230
1-9	105187	1-69	62380	4-14	101289	5-35	62909
1-10	100004	1-70	62379B	4-15	65859	5-36	110291
1-11	63408	1-71	65805	4-16	65602	5-37	63072
1-12	103746	1-72	62085A	4-17	59796	5-38	62116
1-13	65471	1-73	65503	4-18	104728	5-39	57129A
1-14	64583	1-74	Fig. reference	4-19	110337	5-40	101148
1-15	63999			4-20	62310	5-41	62123B
1-16	62198B			4-21	62923A	5-42	51506
1-17	65475	2-	65530	4-22	63038	5-43	110333
1-18	62328	2-1	102144	4-23	65445	5-44	62274
1-19	65472	2-2	102067	4-24	104001	5-45	63263
1-20	64857	2-3	110387	4-25	110483	5-46	63262
1-21	65473	2-4	61705	4-26	104814	5-47	63034
1-22	65370	2-5	101174	4-27	65430	5-48	100071
1-23	65368	2-6	62371	4-28	65431	5-49	62065
1-24	110330	2-7	63985	4-29	62975	5-50	63922
1-25	61692	2-8	63986	4-30	65428	5-51	62105
1-26	103879	2-9	65526	4-31	65425	5-52	62842
1-27	65866	2-10	110470	4-32	65432	5-53	110289
1-28	65813	2-11	62191A	4-33	63813	5-54	110288
1-29	65457	2-12	62190A	4-34	59796	5-55	100010
1-30	65815	2-13	59952A	4-35	65724	5-56	61649
1-31	62978	2-14	36059	4-36	62368	5-57	62824
1-32	63073	2-15	63987	4-37	62435	5-58	62814
1-33	61721D	2-16	61635A			5-59	103512
1-34	64762	2-17	65519			5-60	65401
1-35	63040			5-1	101391	5-61	61627A
1-36	62316			5-2	61737A	5-62	63225
1-37	63041	3-1	63949	5-3	103879	5-63	61618
1-38	61722C	3-2	64872	5-4	101965	5-64	63464
1-39	110334	3-3	105673	5-5	100003	5-65	63429B
1-40	63656	3-4	63045	5-6	51253	5-66	110260
1-41	62102	3-5	64871	5-7	62741	5-67	104357
1-42	64848	3-6	61696	5-8	62819	5-68	63336
1-43	63932	3-7	110378	5-9	62818A		
1-44	103124	3-8	65734	5-10	62927A		
1-45	64856	3-9	65864	5-11	62929A	6-1	Bar
1-46	55636	3-10	103672	5-12	62932	6-2	64325
1-47	65726	3-11	62973A	5-13	62926	6-3	Chain Assy
1-48	Fig. reference	3-12	62451	5-14	63097		
1-49	62080B	3-13	62950A	5-15	110349		
1-50	65821	3-14	62951	5-16	62362		
1-51	65604	3-15	63396	5-17	100298		
1-52	110423	3-16	65816	5-18	62365		
1-53	64856			5-19	110346		
1-54	55636			5-20	100934		
1-55	Fig. reference	4-	65424	5-21	105976		
1-56	62995A	4-1	110397	5-22	105249		
1-57	110353	4-2	65597	5-23	61650		
1-58	102289	4-3	65598	5-24	62363		
1-59	100352	4-4	55690B	5-25	54184		
1-60	63070	4-5	65868	5-26	62361		

Continued

FIG & ITEM	PART NUMBER	FIG & ITEM	PART NUMBER	FIG & ITEM	PART NUMBER	FIG & ITEM	PART NUMBER
<i>ACCESSORY ITEMS</i>							
1	63970						
2	62827						
3	63341A						
4	62825						
5	62813						
6	103512						
7	62826						
8	62812						
9	103512						
10	63480						
11	65325						
12	63746						
13	65529						
14	63490						
15	63357						
16	63432						
17	65778						



**McCULLOCH CORPORATION**  
6101 WEST CENTURY BLVD., LOS ANGELES, CALIFORNIA 90045

**McCULLOCH OF CANADA, LTD.**  
77 BELFIELD ROAD, REXDALE, ONTARIO, CANADA

**McCULLOCH INTERNATIONAL, INC.**  
POSTBUS 10, MALINES, BELGIUM  
G.P.O. BOX 879, HONG KONG, B.C.C.

**McCULLOCH OF AUSTRALIA PTY., LTD.**  
P.O. BOX 165, SOUTH GRANVILLE, N.S.W., AUSTRALIA

**McCULLOCH INTERNATIONAL (U.S.), INC.**  
P.O. BOX 45466 LOS ANGELES, CALIFORNIA, U.S.A.

65635

Figure and Item numbers are referenced to the Illustrated Parts List, P/N 65633 unless otherwise indicated on this parts list sheet. Numbers in black circles refer to notes at the bottom of the page. Numbers in parenthesis following the part number indicate a quantity change from the illustrated parts list.

FIG. & ITEM	PART NUMBER	NOMENCLATURE	FIG. & ITEM	PART NUMBER	NOMENCLATURE	FIG. & ITEM	PART NUMBER	NOMENCLATURE
1-1	110454	Nut	1-50	65821	Insulator	3-2	64872	Grip
1-2	100440	Washer	1-51	65604	Rod	3-3	105673	Pin
1-3	Fig. reference		1-52	102290	Screw	3-4	66194	Button
1-4	Fig. reference		1-53	63475 ②	Lockplate	3-5	64871	Button & Rod
1-5	102761	Screw	1-54	55636	Washer	3-6	61696	Seal
1-6	100352	Washer	1-55	Fig. reference		3-7	110378	Pin
1-7	61678	Plug	1-56	65674	Gasket	3-8	65734	Spring
1-8	101326	Nut	1-B	63396 ③	Insulator	3-9	65864	Trigger
1-9	105187	Screw	1-57	110353	Screw	3-10	103672	Screw
1-10	100004	Washer	1-58	102289	Screw	3-11	62973A	Wire
1-11	63408 ①	Frame	1-59	100352	Washer	3-12	62451	Contact
1-A	62271	Plug	1-60	63070	Brace	3-13	62950A	Base
1-12	103746	Nut	1-61	104534	Screw	3-14	62951	Button
1-13	65471	Clutch	1-62	104895	Screw	3-15	⑤	Insulator
1-14	64583	Retainer	1-63	110264	Washer	3-16	65816	Rod
1-15	63999	Spring	1-64	62337	Gasket			
1-16	62198B	Shoe	1-65	110341	Screw	4-	66503	Carburetor
1-17	65475	Rotor	1-66	65905	Spark Arr.	4-1	110397	Screw
1-18	62328	Spring	1-67	103360	Screw	4-2	65597	Plate
1-19	65472	Rivet	1-68	110264	Washer	4-3	65598	Diaphragm
1-20	64857	Pawl	1-69	62380	Cover	4-4	55690B	Seal
1-21	65473	Washer	1-70	62379B	Baffle	4-5	65868	Valve Set
1-22	65370	Spkt. Kit	1-71	65805	Body	4-6	66153	Seat
1-23	65368	Sprocket	1-72	62085A	Insulator	4-7	61151	Ball
1-24	110330	Bearing	1-73	65503	Shroud	4-8	63041 (1)	Valve
1-25	61692	Shim	1-74	Fig. reference		4-9	104814	Screw
1-26	103879	Key				4-10	62290A	Plate
1-27	65866	Cover	2-	65530	Guard Assy	4-11	65677	Retainer
1-28	65813	Nut	2-1	102144	Screw	4-12	65617	Plug
1-29	65457	Nameplate	2-2	102067	Nut	4-13	105617	"O" Ring
1-30	65815	Screen	2-3	110387	Washer	4-14	101289	Ring
1-31	62978	Screw	2-4	61705	Nut	4-15	65859	Spring
1-32	63073	Housing	2-5	101174	Washer	4-16	66552	Plunger
1-33	61721D	Cap Assy	2-6	62371	Retainer	4-17	66551	"O" Ring
1-34	64762	Cover	2-7	63985	Shield	4-18	104728	Screw
1-35	63040	Spring	2-8	63986	Washer	4-19	110337	Pin
1-36	62316	Guide	2-9	65526	Drum	4-20	62310	Lever
1-37	63041	Valve	2-10	110470	Rivet	4-21	62923A	Spring
1-38	65671	Gasket	2-11	62191A	Insert	4-22	63038	Valve
1-39	110334	Screw	2-12	62190A	Handle	4-23	65445	Needle
1-40	63656	Cover	2-13	59952A	Rope	4-24	104001	"O" Ring
1-41	62102	Gasket	2-14	36059	Spring	4-25	110483	Screw
1-42	64848	Hose	2-15	63987	Shield	4-26	104814	Screw
1-43	63932	Filter	2-16	61635A	Bushing	4-27	65430	Lever
1-44	103124	Screw	2-17	65519	Guard	4-28	65431	Needle
1-45	64856	Washer				4-29	62975	Swivel
1-46	55636	Washer				4-30	65428	Shaft
1-47	65726	Sleeve				4-31	66504	Body
1-48	Fig. reference		3-1	66648 ④	Tank			
1-49	65672	Gasket	3-A	105788	Rivet			

Continued

### NOTES

① Frame Assy includes Plug, P/N 62271, for attaching upper arm screw.

② Lockplate replaces Washer, P/N 64856.

③ Fuel Tank Insulator illustrated in Figure 3, Item 15.

④ Fuel Tank Assy includes two Rivets, P/N 105788. Items 2 to 15 inclusive, are not included in tank assembly.

⑤ Insulator listed as Item 1-B on this sheet.

