

MASTER ILLUSTRATED PARTS LIST

This Master Illustrated Parts List replaces the following illustrated parts lists, parts list sheets and part number sheets:

62828	IPL	MAC 2-10	March, 1965
62828A	IPL	MAC 1-10, 2-10	November, 1965
63839	IPL	MAC 1-10, 2-10	March, 1966
65633	IPL	MAC 1-10	October, 1966
65638	IPL	MAC 2-10	October, 1966
65649	IPL	MAC 1-10, 2-10	July, 1966
66115	PLS	MAC 1-10	-----
66118	PLS	MAC 2-10	-----
66701	PLS	MAC 1-10	-----
66704	PLS	MAC 2-10	-----
67393	PNL	MAC 1-10	-----

The above listed books can be discarded and this master book filed in their place.

This Master Illustrated Parts List gives the name, number and interchangeability between engines, of service and replacement parts which were used on or are presently available for installation on the listed chain saw models.

Information about the List and how to use it will be found on the back cover. Read the information before you start to use the List.

	Page
Figure 1. Engine Exploded View - General.	2
Figure 2. Clutch Guard and Starter Assembly.	5
Figure 3. Fuel Tank Assembly.	7
Figure 4. Carburetor Assembly.	8
Figure 5. Carburetor Assembly.	10
Figure 6. Powerhead Assembly	12



McCULLOCH

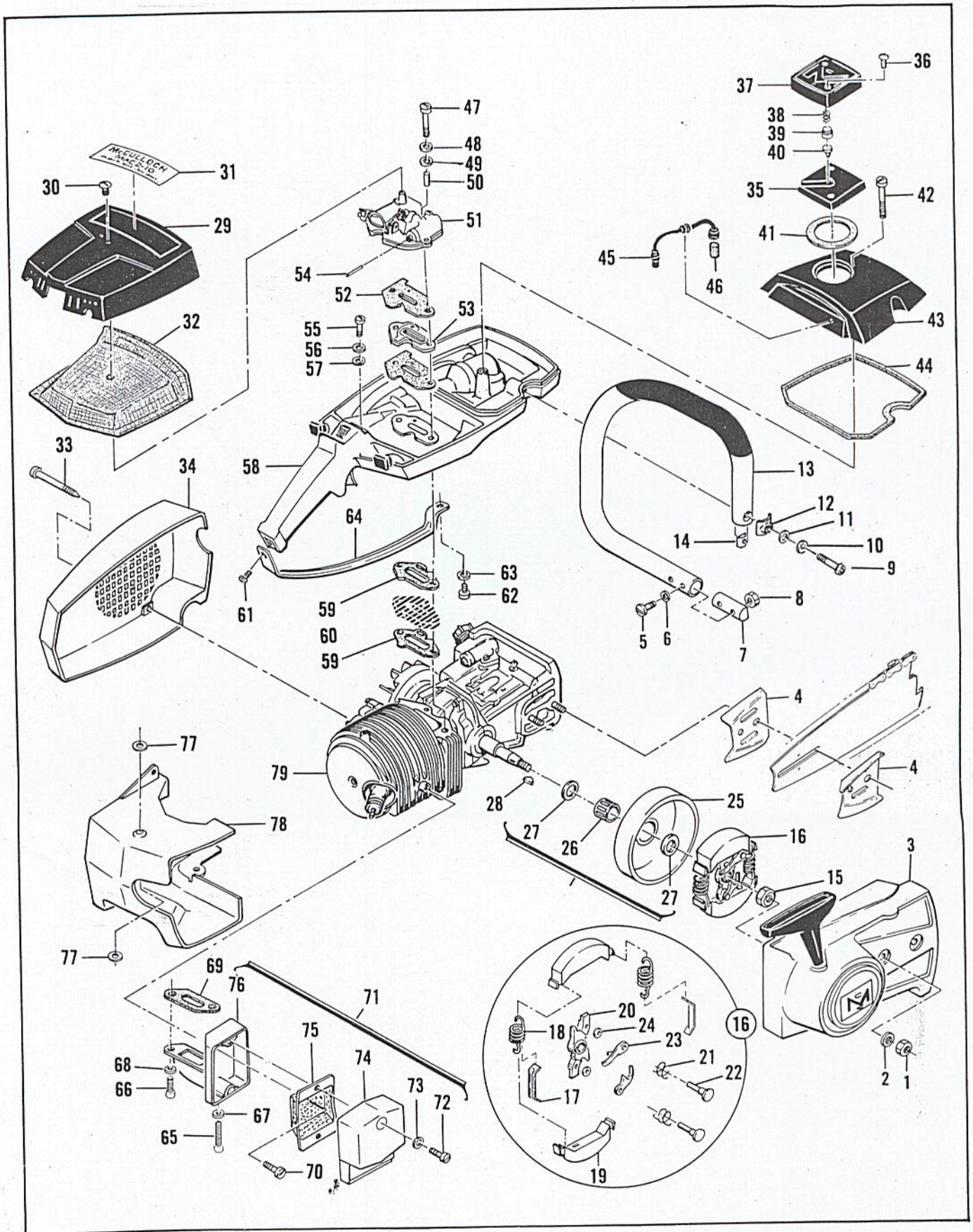


Figure 1. Engine Exploded View - General

Figure 1. Engine Exploded View - General

Item No.	Part Number	Nomenclature	Units Per Assy	Usable on Code
Code: "A" indicates parts used on Model 1-10 to serial number 27001.				
"B" indicates parts used on Model 1-10, serial number 27001 to 75001.				
"C" indicates parts used on Model 1-10, serial number 75001 and up without prefix.				
"D" indicates parts used on Model 1-10, serial numbers prefixed 1-.				
"E" indicates parts used on Model 1-10, serial numbers prefixed 2-.				
"F" indicates parts used on Model 1-10, serial numbers prefixed 10-.				
"G" indicates parts used on Model 2-10 to serial number 54001.				
"H" indicates parts used on Model 2-10, serial number 54001 to 115001.				
"I" indicates parts used on Model 2-10, serial number 115001 and up without prefix.				
"J" indicates parts used on Model 2-10, serial numbers prefixed 1-.				
"K" indicates parts used on Model 2-10, serial numbers prefixed 2-.				
1	110454	Nut - Hex 5/16-24	2	ALL
2	100440	Washer - 5/16 plain	2	ALL
3		Clutch Guard & Starter Assy (See Figure 2)	1	ALL
4	62672	Protector Plate Set (Set of 2 - Accessory Item) . . .	1	A,B,C,G,H,I,J,K
	64330	Protector Plate Set (Set of 2 - Accessory Item) . . .	1	D,E,F
5	102761	Screw - Hex hd 10-24 x 7/8	2	ALL
6	100352	Washer - #10.	2	ALL
7	61678	Plug - Nut retainer.	1	ALL
8	101326	Nut - Hex 10-24.	2	ALL
9	103268	Screw - Fil hd 1/4-20 x 1-1/8	1	A,B,C,G,H,I
	102130	Screw - Hex hd 1/4-20 x 1-1/2	1	F
	105187	Screw - Skt hd 1/4-20 x 1-1/8	1	D,E,J,K
10	105043	Lockwasher - 1/4.	1	A,B,C,G,H,I
	100153	Lockwasher - 1/4.	1	F
11	100004	Washer - Plain 1/4.	1	A,B,C,D,E,G,H,I,J,K
12	63484	Clamp	1	F
13	63408	Frame & Grip Assy	1	A,B,C,D,E,G,H,I,J,K
	66310	Frame & Grip Assy	1	F
14	62271	Plug.	1	A,B,C,D,E,G,H,I,J,K
15	110350	Nut - Flexloc 5/16-24.	1	A,B,G,H
	103746	Nut - Flexloc 3/8-24.	1	C,D,E,F,I,J,K
16		Clutch Assy (Order Clutch Assy #65471).	1	A,B,C,G,H,I
	65471	Clutch Assy.	1	D,E,F,J,K
17	64583	Retainer - Clutch spring	2	B,C,D,E,F,H,I,J,K
18	63999	Spring - Clutch	2	ALL
19	62198B	Shoe - Clutch.	2	ALL
20	65475	Rotor Assy - Clutch	1	ALL
21	67111	Spring - Pawl	2	ALL
22	67112	Rivet - Pawl	2	ALL
23	64857	Pawl - Starter	2	ALL
24	62314	Washer - Special	2	A,B,C,G,H,I
	65473	Washer - Special	2	D,E,F,J,K
	65370	Kit - Sprocket, Drum & Bearing Assy	1	ALL
25	65368	Sprocket & Drum Assy (7-tooth sprocket).	1	ALL
26	110330	Bearing - Sprocket drum.	1	ALL
27	61692	Shim	2	ALL
28	103879	Key - Woodruff	1	ALL
29	62117	Cover Assy - Air cleaner	1	A,B,C,G,H,I
	65866	Cover Assy - Air cleaner	1	D,E,F,J,K
30	62434	Nut - Air cleaner cover.	1	A,B,C,G,H,I
	65813	Nut - Air cleaner cover.	1	D,E,F,J,K
31	65456	Nameplate - MAC 2-10	1	G,H,I,J,K
	65457	Nameplate - MAC 1-10	1	A,B,C,D,E
	66451	Nameplate - MAC 1-10	1	F
32	62077	Screen - Air cleaner.	1	A,B,C,G,H,I
	65815	Screen - Air cleaner.	1	D,E,F,J,K
33	62978	Screw - Special	3	ALL
34	63073	Fan Housing	1	ALL
35	61721D	Cap Assy - Fuel.	1	A,B,C,D,E,G,H,I,J
	67266	Cap Assy - Fuel.	1	F

Figure 1. Engine Exploded View - General (Cont.)

Item No.	Part Number	Nomenclature	Units Per Assy	Usable on Code
36	110510	Rivet	2	F
37	64762	Cover - Fuel cap	1	A,B,C,D,E,G,H,I,J
	67267	Cover - Fuel cap	1	F
38	63040	Spring	1	ALL
39	62316	Guide - Spring	1	ALL
40	63041	Valve	1	ALL
41	65671	Gasket	1	ALL
42	110334	Screw - Oval hd 12-24 x 1-3/4	1	ALL
43	64796	Cover - Fuel tank	1	A,B,G,H
	63656	Cover - Fuel tank	1	C,D,E,F,I,J,K
44	62102	Gasket - Fuel tank cover	1	ALL
45	63935	Hose Assy - Fuel	1	A,B,G,H
	64848	Hose Assy - Fuel	1	C,D,E,F,I,J,K
46	63932	Filter - Fuel	1	ALL
47	102433	Screw - Hex hd 10-24 x 1-5/8	2	A,B,G,H
	103355	Screw - Hex hd 10-24 x 1-7/8	2	C,I
	103124	Screw - Hex hd 10-24 x 2	2	D,E,F,J,K
48	100352	Washer - #10 plain	2	A,B,G,H
	64856	Washer - #10 plain	2	C,D,E,F,I,J,K
49	55636	Washer - Insulator	2	ALL
50	62327A	Sleeve - Insulator	2	A,B,C,G,H,I
	65726	Sleeve - Insulator	2	D,E,F,J,K
51		Carburetor Assy (See Figure 4)	1	A,B,C,G,H,I
		Carburetor Assy (See Figure 5)	1	D,E,F,J,K
52	65672	Gasket - Carburetor	1	A,B,C,G,H,I
53	65821	Insulator - Carburetor	2	D,E,F,J,K
54	62066A	Rod - Primer	1	A,B,C,G,H,I
	65604	Rod - Primer	1	D,E,F,J,K
55	102760	Screw - Hex hd 10-24 x 1	1	A,B,G,H
	102290	Screw - Hex hd 10-24 x 1-1/8	1	C,D,E,F,I,J,K
56	100352	Washer - #10 plain	1	A,B,G,H
	64856	Washer - #10 plain	1	C,D,I,J
	63475	Lockplate	1	E,F,K
57	55636	Washer - Insulator	1	ALL
58		Fuel Tank Assy (See Figure 3)	1	ALL
59	65674	Gasket - Fuel tank	2	ALL
60	61680B	Insulator - Fuel tank	1	A,G
	63396	Insulator - Fuel tank (Part of Fuel Tank Kit #63949)	1	B,C,D,E,F,H,I,J,K
61	110353	Screw - Oval hd 10-24 x 3/8	1	ALL
62	102289	Screw - Hex hd 10-24 x 3/4	1	ALL
63	100352	Washer - #10 plain	1	A,B,C,D,E,G,H,I,J,K
	28052	Lockplate	1	F
64	63070	Brace - Handle	1	A,B,C,D,E,G,H,I,J,K
	67141	Brace - Handle	1	F
65	104534	Screw - Fil hd 10-24 x 1-3/8 (SEMS)	1	ALL
66	104895	Screw - Fil hd 10-24 x 5/8 (SEMS)	1	A,B,C,D,E,G,H,I,J
	102388	Screw - Hex hd 10-24 x 5/8	1	F
67	110264	Washer - Plain #10	1	ALL
68	110264	Washer - Plain #10	1	A,B,C,D,E,G,H,I,J,K
	36388	Lockplate	1	F
69	62337	Gasket - Spark arrester	1	ALL
70	110341	Screw - Hex hd 10-24 x 1/2	1	ALL
71		Spark Arrester Assy (Order Spark Arrester Assy #65905)	1	A,B,C,G,H,I
	65905	Spark Arrester Assy	1	D,E,F,J,K
72	103360	Screw - Fil hd 10-24 x 1-1/8 (SEMS)	2	ALL
73	110264	Washer - Special	4	ALL
74	62380	Cover Assy - Spark arrester	1	ALL
75	62379B	Baffle - Spark arrester	1	ALL
76	65805	Body & Duct Assy	1	ALL
77	62085A	Insulator - Shroud	2	ALL
78	65503	Shroud - Cylinder	1	ALL
79		Powerhead (See Figure 6)	1	ALL

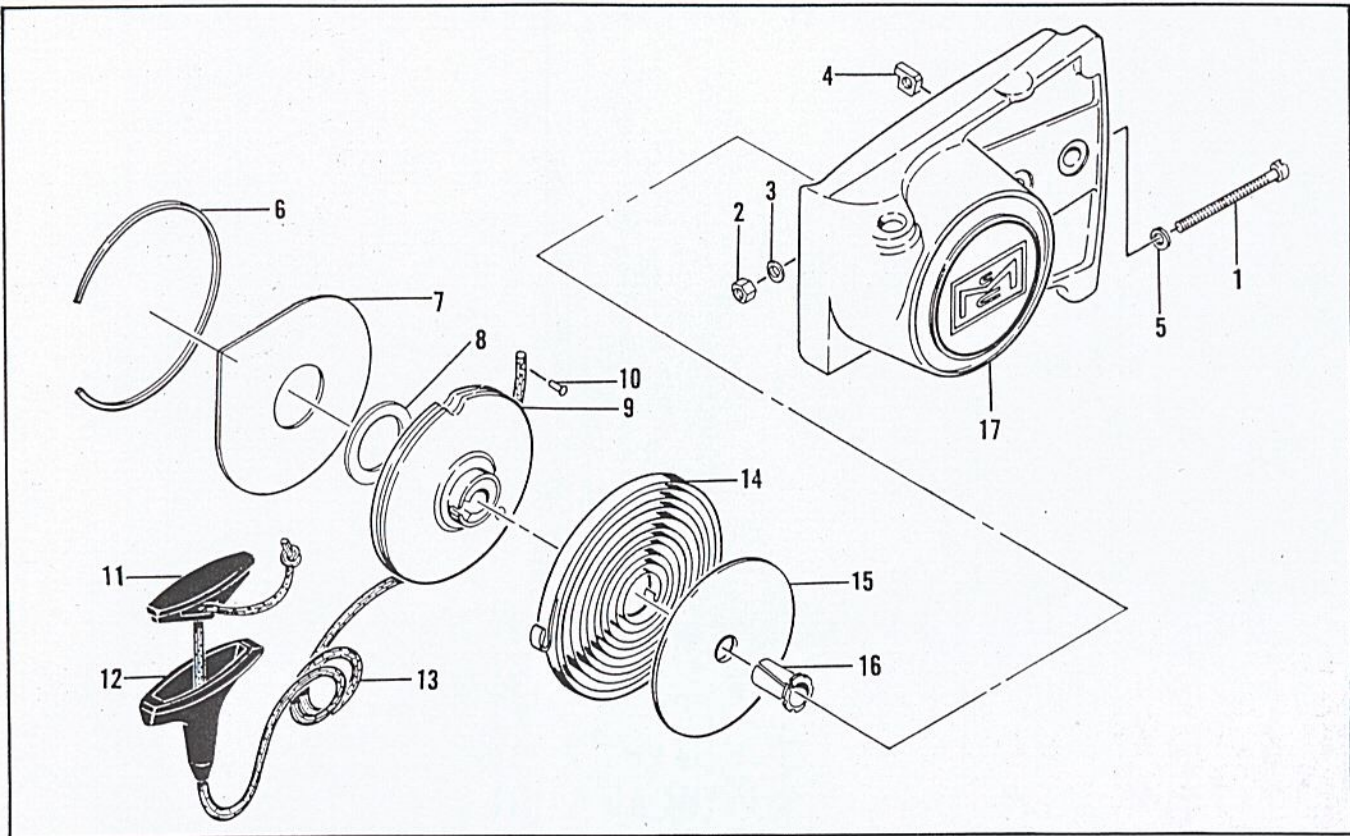


Figure 2. Clutch Guard and Starter Assembly

Item No.	Part Number	Nomenclature	Units Per Assy	Usable on Code
		Code: "A" indicates parts used on Model 1-10 to serial number 27001.		
		"B" indicates parts used on Model 1-10, serial number 27001 to 75001.		
		"C" indicates parts used on Model 1-10, serial number 75001 and up without prefix.		
		"D" indicates parts used on Model 1-10, serial numbers prefixed 1-.		
		"E" indicates parts used on Model 1-10, serial numbers prefixed 2-.		
		"F" indicates parts used on Model 1-10, serial numbers prefixed 10-.		
		"G" indicates parts used on Model 2-10 to serial number 54001.		
		"H" indicates parts used on Model 2-10, serial number 54001 to 115001.		
		"I" indicates parts used on Model 2-10, serial number 115001 and up without prefix.		
		"J" indicates parts used on Model 2-10, serial numbers prefixed 1-.		
		"K" indicates parts used on Model 2-10, serial numbers prefixed 2-.		
	67206	Clutch Guard Assy (Order Guard Assy #67206) . . .	1	A,B,C,G,H,I
	67206	Clutch Guard Assy	1	D,E,F,J,K
1	102144	. Screw - Bar adjusting	1	ALL
2	102067	. Nut - Hex #10 lock	1	ALL
3	110387	. Washer - Wave	1	ALL
4	61705	. Nut - Bar adjusting	1	ALL
5	101174	. Washer - #10	1	ALL
6	67205	. Retainer - Shield	1	ALL
7	63998	. Shield - Dust	1	A,G
	63985	. Shield - Dust	1	B,C,D,E,F,H,I,J,K
8	63986	. Washer - Thrust	1	B,C,D,E,F,H,I,J,K
9	65526	. Drum - Starter	1	ALL

Figure 2. Clutch Guard and Starter Assembly (Cont.)

Item No.	Part Number	Nomenclature	Units Per Assy	Usable on Code
10	101136	Rivet - Starter rope	1	A,B,C,G,H,I
	110470	Rivet - Rd hd 3/32 x 1/4	1	D,E,F,J,K
11	62191A	Insert - Starter rope.	1	ALL
12	62190A	Handle - Starter.	1	ALL
13	67125	Rope - Starter.	1	ALL
14	36059	Spring - Starter rewind.	1	ALL
15	63987	Shield - Starter spring	1	B,C,D,E,F,H,I,J,K
16	61635A	Bushing - Nyliner.	1	ALL
17	67207	Guard - Clutch.	1	ALL

Figure 3. Fuel Tank Assembly

Item No.	Part Number	Nomenclature	Units Per Assy	Usable on Code
		Tank Assy - Fuel (Order Tank Assy #66648)	1	A,B,G,H
	63949	Tank Assy - Fuel	1	C,D,I,J
	66648	Tank Assy - Fuel	1	E,F,K
1	105788	Rivet - Nylon fastex	2	E,F,K
2	64872	Grip - Handle	1	ALL
3	105673	Roll Pin - 3/32 x 9/16.	2	ALL
4	66194	Button - Primer.	1	ALL
5	63052	Button & Rod Assy - Oiler.	1	A,B,G,H
	64871	Button & Rod Assy - Oiler.	1	C,D,E,F,I,J,K
6	62970C	Rod - Throttle	1	A,B,G,H
	65816	Rod - Throttle	1	C,D,E,F,J,K
7	61696	Seal - Throttle rod.	1	ALL
8	110378	Roll Pin - 3/16 x 5/16.	1	ALL
9	65734	Spring - Throttle return	1	ALL
10	62949	Trigger - Throttle	1	ALL
11	103672	Screw - Bind hd 8-32 x 5/16 (SEMS)	1	ALL
12	62973A	Wire Assy - Stop switch	1	ALL
13	62451	Contact - Ignition switch	1	ALL
14	62950A	Base - Ignition switch.	1	ALL
15	62951	Button - Ignition switch.	1	ALL
16	63396	Insulator - Fuel tank.	1	C,D,E,F,I,J
17		Tank (Order Tank Assy #66648)	1	ALL

Code: "A" indicates parts used on Model 1-10 to serial number 27001.
 "B" indicates parts used on Model 1-10, serial number 27001 to 75001.
 "C" indicates parts used on Model 1-10, serial number 75001 and up without prefix.
 "D" indicates parts used on Model 1-10, serial numbers prefixed 1-.
 "E" indicates parts used on Model 1-10, serial numbers prefixed 2-.
 "F" indicates parts used on Model 1-10, serial numbers prefixed 10-.
 "G" indicates parts used on Model 2-10 to serial number 54001.
 "H" indicates parts used on Model 2-10, serial number 54001 to 115001.
 "I" indicates parts used on Model 2-10, serial number 115001 and up without prefix.
 "J" indicates parts used on Model 2-10, serial numbers prefixed 1-.
 "K" indicates parts used on Model 2-10, serial numbers prefixed 2-.

Tank Assembly #66648 also replaces Tank Assembly #63949. It includes two #105788 rivets but does not include any other parts. Other parts must be ordered individually.

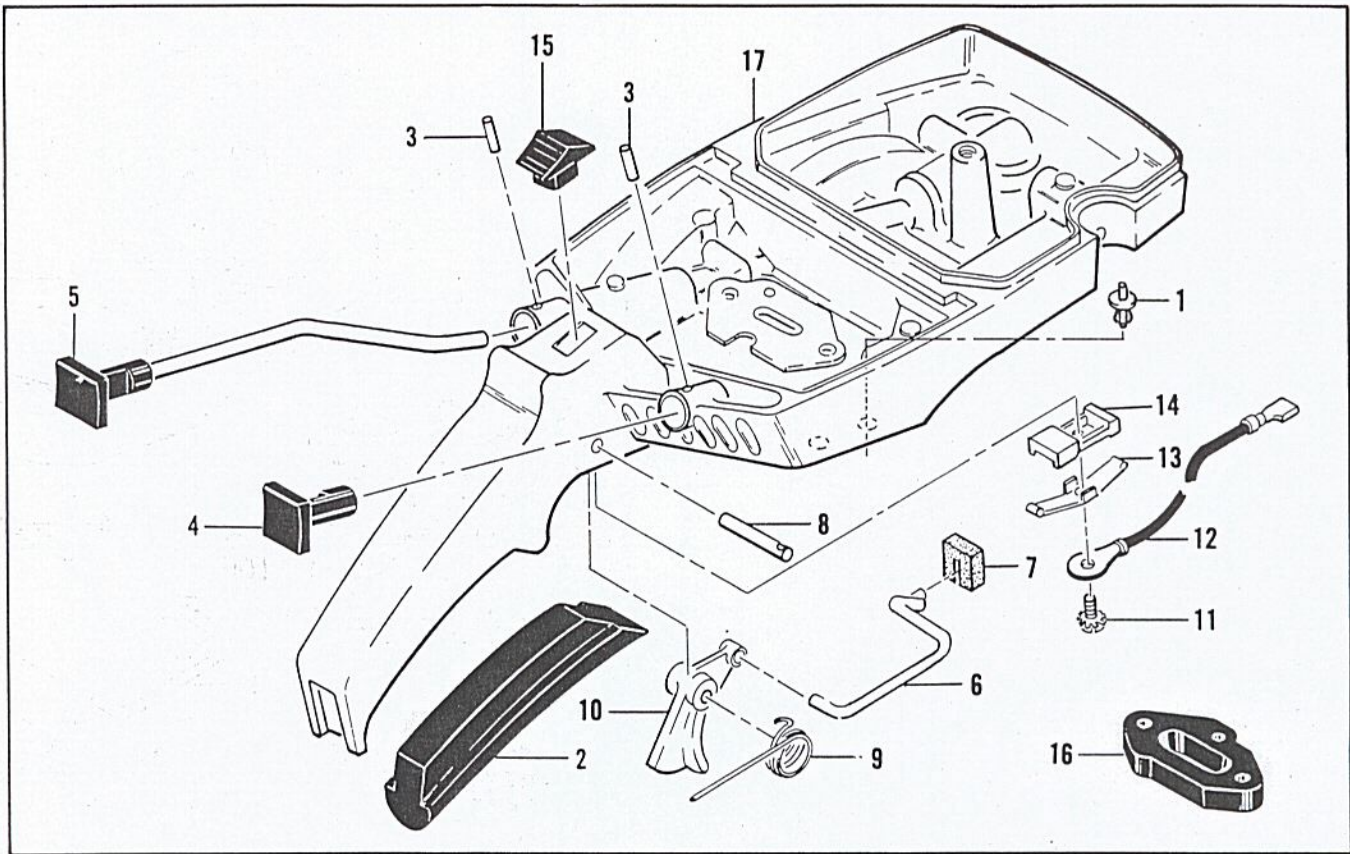


Figure 4. Carburetor Assembly

Item No.	Part Number	Nomenclature	Units Per Assy	Usable on Code
Code: "A" indicates parts used on Model 1-10 to serial number 27001.				
"B" indicates parts used on Model 1-10, serial number 27001 to 75001.				
"C" indicates parts used on Model 1-10, serial number 75001 and up without prefix.				
"G" indicates parts used on Model 2-10 to serial number 54001.				
"H" indicates parts used on Model 2-10, serial number 54001 to 115001.				
"T" indicates parts used on Model 2-10, serial number 115001 and up without prefix.				
		Carburetor Assy (Order Carburetor Assy #66564)	1	A,B,C,G,H,I
-1	110397	. Screw - Pan hd 8-32 x 7/16 (SEMS)	5	A,B,C,G,H,I
2	63042	. Plate - Carburetor base	1	A,B,C,G,H,I
3	65598	. Diaphragm Assy - Pump	1	A,B,C,G,H,I
4	55690B	. Seal - Capillary	1	A,B,C,G,H,I
5	63041	. Valve - Primer	1	A,B,C,G,H,I
6	104728	. Screw - 6-32 x 1/4	1	A,B,C,G,H,I
7	110337	. Pin - Inlet lever	1	A,B,C,G,H,I
8	62310	. Lever - Inlet	1	A,B,C,G,H,I
9	62923A	. Spring - Inlet needle	1	A,B,C,G,H,I
10	63038	. Valve - Inlet needle	1	A,B,C,G,H,I
11	62308A	. Plunger - Primer	1	A,B,C,G,H,I
12	11086	. Spring - Plunger	1	A,B,C,G,H,I
13	63037	. Seat, Primer valve	1	A,B,C,G,H,I
14	63038	. Valve - Primer needle	1	A,B,C,G,H,I
15	63039	. Spring - Needle valve	1	A,B,C,G,H,I

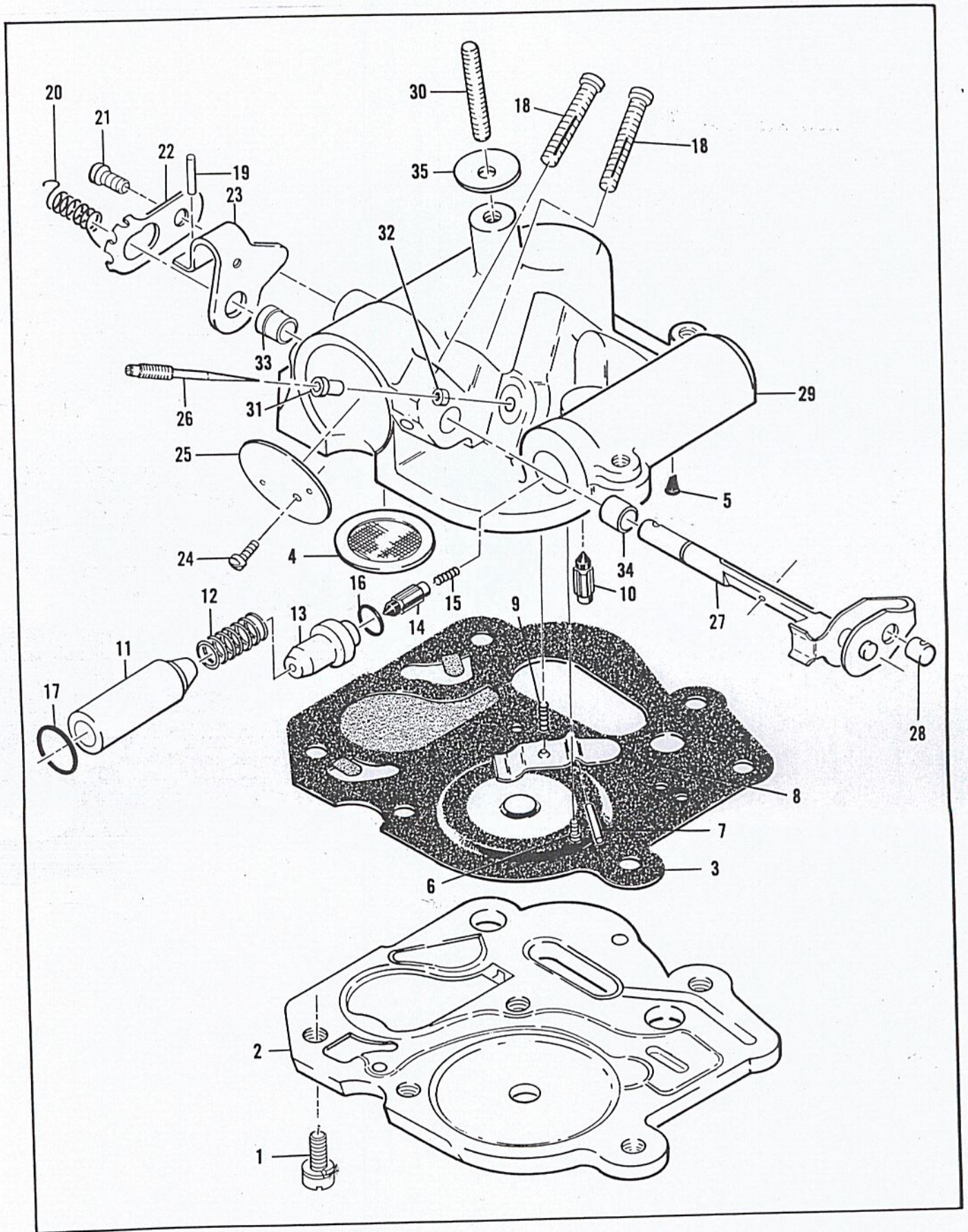


Figure 4. Carburetor Assembly

Figure 4. Carburetor Assembly (Cont.)

Item No.	Part Number	Nomenclature	Units Per Assy	Usable on Code
16	101056	"O" Ring	1	A,B,C,G,H,I
17	105606	"O" Ring	1	A,B,C,G,H,I
18	62971	Screw - Long locking adjusting	2	A,B,C,G,H,I
19	101500	Pin - Roll 1/16 x 1/2	1	A,B,C,G,H,I
20	63939A	Spring - Idle governor	1	A,B,C,G,H,I
21	103934	Screw - Pan hd 6-32 x 1/4 (SEMS)	1	A,B,C,G,H,I
22	62938	Clip - Throttle shaft	1	A,B,C,G,H,I
23	62343A	Lever - Throttle	1	A,B,C,G,H,I
24	104814	Screw - Pan hd 4-40 x 1/4 (SEMS)	1	A,B,C,G,H,I
25	62290A	Plate - Throttle	1	A,B,C,G,H,I
26	62976A	Needle - Metering	1	A,B,C,G,H,I
27	62291A	Shaft Assy - Throttle	1	A,B,C,G,H,I
28	62975	Swivel - Needle	1	A,B,C,G,H,I
29	63019B	Body Assy - Carburetor	1	A,B,C,G,H,I
30	62433B	Stud - Carburetor	1	A,B,C,G,H,I
31	62295D	Orifice - Air	1	A,B,C,G,H,I
32	63813	Orifice - Fuel	1	A,B,C,G,H,I
33	62288A	Bushing - Throttle shaft	1	A,B,C,G,H,I
34	62368	Bushing - Throttle shaft	1	A,B,C,G,H,I
35	62435	Seal - Air cleaner stud	1	A,B,C,G,H,I

Same as Carburetor Assembly #66503 (Figure 5), except includes stud #62433B and Primer Rod #65851.

Figure 5. Carburetor Assembly

Item No.	Part Number	Nomenclature	Units Per Assy	Usable on Code
	66503	Carburetor Assy (Order Carburetor Assy #66503)	1	J
1	110397	Carburetor Assy	1	D,E,F,K
2	65597	Screw - Pan hd 8-32 x 7/16 (SEMS)	5	D,E,F,J,K
3	67357	Plate - Carburetor base	1	D,E,F,J,K
4	66796	Diaphragm Assy - Pump	1	D,E,F,J,K
5	63041	Seal - Capillary	1	D,E,F,J,K
6	63041	Valve - Primer	1	D,E,F,J,K
7	106136	Valve - Primer	1	J
8	65868	"O" Ring	1	D,E,F,K
9	66153	Set - Ball and seat	1	D,E,F,J,K
10	61151	Seat	1	D,E,F,J,K
11	61151	Ball	1	D,E,F,J,K
12	104728	Screw - 6-32 x 1/4	1	D,E,F,J,K
13	110337	Pin - Inlet lever	1	D,E,F,J,K
14	62310	Lever - Inlet	1	D,E,F,J,K
15	62923A	Spring - Inlet needle	1	D,E,F,J,K
16	63038	Valve - Inlet needle	1	D,E,F,J,K
17	65677	Retainer - Primer plug	1	D,E,F,J,K
18	65617	Plug - Primer	1	D,E,F,J,K
19	105617	"O" Ring	1	D,E,F,J,K
20	101289	Ring - Retaining	1	D,E,F,J,K
21	65859	Spring - Plunger	1	D,E,F,J,K
21	66552	Plunger - Primer	1	D,E,F,J,K

Code: "D" indicates parts used on Model 1-10, serial numbers prefixed 1-.
 "E" indicates parts used on Model 1-10, serial numbers prefixed 2-.
 "F" indicates parts used on Model 1-10, serial numbers prefixed 10-.
 "J" indicates parts used on Model 2-10, serial numbers prefixed 1-.
 "K" indicates parts used on Model 2-10, serial numbers prefixed 2-.

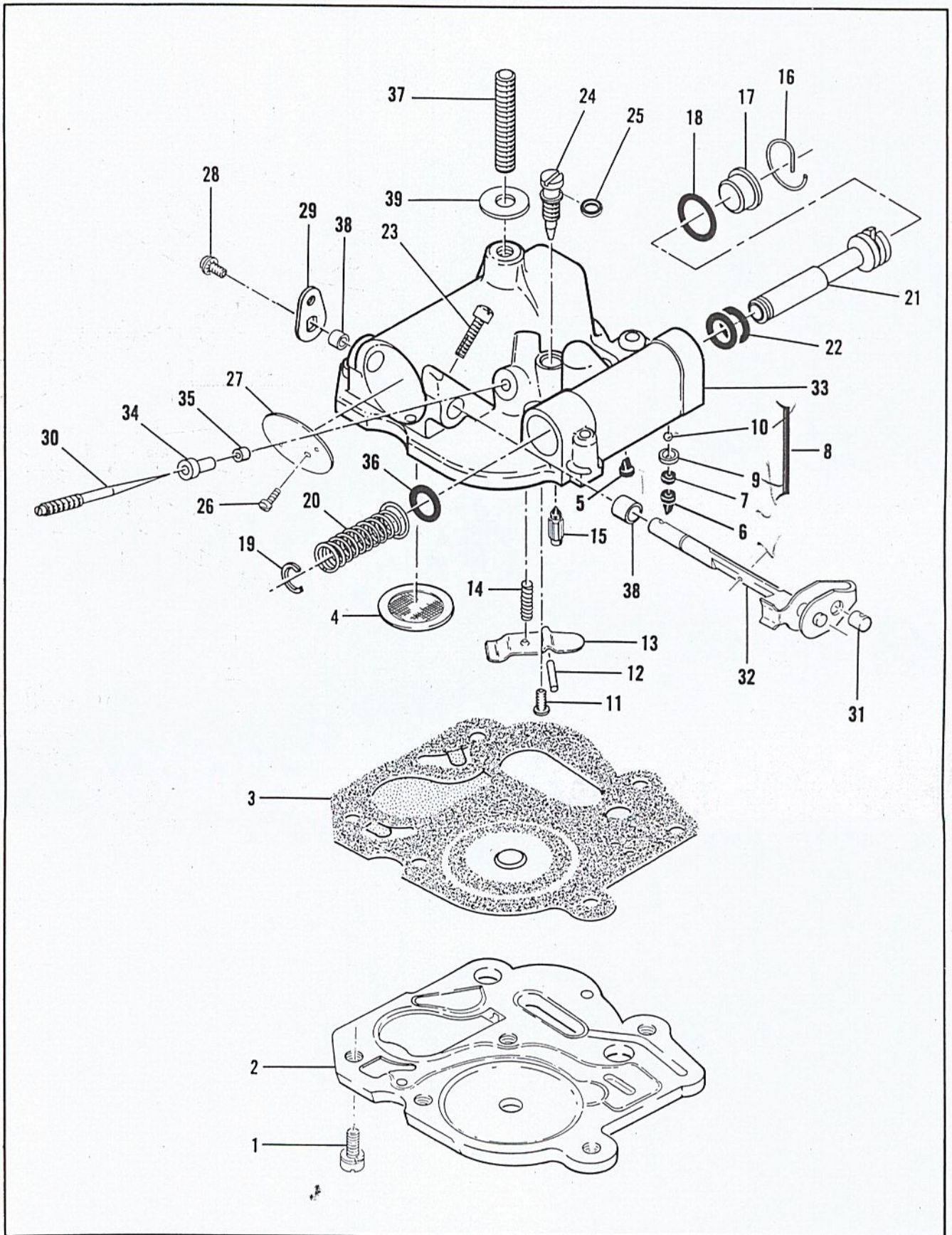


Figure 5. Carburetor

Figure 5. Carburetor Assembly (Cont.)

Item No.	Part Number	Nomenclature	Units Per Assy	Usable on Code
22	59796	"O" Ring	2	J
	66551	"O" Ring	1	D,E,F,K
	67116	Seal - "V" packing	1	D,E,F,K
23	110483	Screw - Adjusting	1	D,E,F,J,K
24	65445	Needle - Main fuel	1	D,E,F,J,K
25	104001	"O" Ring	1	D,E,F,J,K
26	104814	Screw - 4-40 x 1/4 (SEMS)	1	D,E,F,J,K
27	62290A	Plate - Throttle	1	D,E,F,J,K
28	104814	Screw - 4-40 x 1/4 (SEMS)	1	D,E,F,J,K
29	65430	Lever - Throttle	1	D,E,F,J,K
30	65431	Needle - Metering	1	D,E,F,J,K
31	62975	Swivel - Needle	1	D,E,F,J,K
32	65428	Shaft Assy - Carburetor	1	D,E,F,J,K
33	66504	Body Assy - Carburetor	1	D,E,F,J,K
34	65432	Orifice - Air	1	D,E,F,J,K
35	66569	Orifice - Fuel	1	D,E,F,J,K
36	59796	"O" Ring	1	D,E,F,J,K
37	65724	Stud - Carburetor	1	D,E,F,J,K
38	62368	Bushing	2	D,E,F,J,K
39	62435	Seal - Air cleaner stud	1	D,E,F,J,K

Figure 6. Powerhead Assembly

Item No.	Part Number	Nomenclature	Units Per Assy	Usable on Code
Code: "A" indicates parts used on Model 1-10 to serial number 27001.				
"B" indicates parts used on Model 1-10, serial number 27001 to 75001.				
"C" indicates parts used on Model 1-10, serial number 75001 and up without prefix.				
"D" indicates parts used on Model 1-10, serial numbers prefixed 1-.				
"E" indicates parts used on Model 1-10, serial numbers prefixed 2-.				
"F" indicates parts used on Model 1-10, serial numbers prefixed 10-.				
"G" indicates parts used on Model 2-10 to serial number 54001.				
"H" indicates parts used on Model 2-10, serial number 54001 to 115001.				
"I" indicates parts used on Model 2-10, serial number 115001 and up without prefix.				
"J" indicates parts used on Model 2-10, serial numbers prefixed 1-.				
"K" indicates parts used on Model 2-10, serial numbers prefixed 2-.				
1	101391	Nut - Hex 3/8-24	1	ALL
2	61737A	Flywheel Assy	1	ALL
3	103879	Key - Flywheel	1	ALL
4	101965	Screw - Fil hd 10-24 x 7/8 (SEMS)	2	ALL
5	100002	Washer - #10 plain	2	A,B,G,H
	100003	Washer - #10 plain	2	C,D,E,F,I,J,K
6	51253	Retainer - Coil	1	ALL
7	62741	Lamination Assy	1	ALL

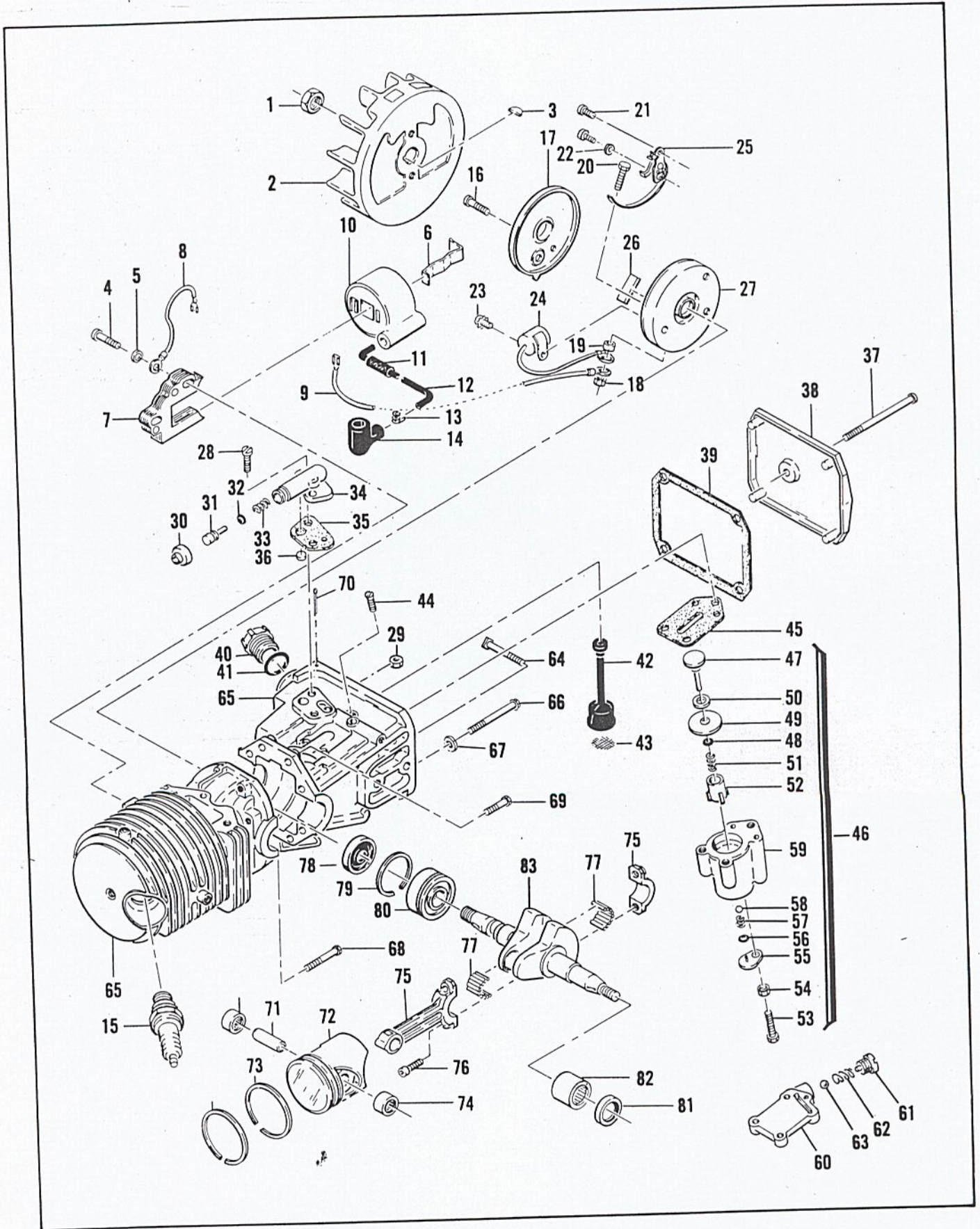


Figure 6. Powerhead Assembly

Figure 6. Powerhead Assembly (Cont.)

Item No.	Part Number	Nomenclature	Units Per Assy	Usable on Code
8	62819	Wire Assy - Ground	1	ALL
9	62818A	Wire Assy - Primary	1	ALL
10	62927A	Coil and Terminal Assy.	1	ALL
11	67127	. Sleeve	1	ALL
12	62929A	. Wire Assy - Spark plug	1	ALL
13	62932	. . Connector	1	ALL
14	62926	. . Boot	1	ALL
15	63097	Spark Plug	1	ALL
16	110349	Screw - Rd hd 8-32 x 3/4	1	ALL
17	62362	Cover - Breaker box	1	ALL
18	100298	Nut - Hex 6-32	1	ALL
19	62365	Spacer - Breaker screw	1	ALL
20	110346	Screw - Hex hd 6-32 x 3/4	1	ALL
21	100934	Screw - Rd hd 8-32 x 3/8	2	ALL
22	105976	Washer - Plain #8	1	C,D,E,F,I,J,K
23	105249	Screw - Rd hd 8-32 x 3/8 (SEMS)	1	ALL
24	61650	Condenser	1	ALL
25	62363	Breaker Assy	1	ALL
26	54184	Wiper - Cam	1	ALL
27	62361	Box - Breaker	1	ALL
28	100414	Screw - 8-32 x 1/2	2	ALL
29	100955	Nut - Hex 8-32	1	ALL
30	62262	Cap - Oil pump	1	ALL
31	62266	Plunger - Oil pump	1	ALL
32	101056	"O" Ring	1	ALL
33	66687	Spring - Oil pump	1	ALL
34	62261A	Pump Housing - Oil	1	ALL
35	62230	Gasket - Oil pump	1	ALL
36	62909	Valve - Oil pump	1	ALL
37	110291	Screw - Pan hd 10-24 x 2-3/4	1	ALL
38	63072	Cover - Oil tank	1	ALL
39	62116	Gasket - Oil tank cover	1	ALL
40	57129A	Cap - Oil	1	ALL
41	101148	"O" Ring	1	ALL
42	62123B	Hose Assy - Oil	1	ALL
43	51506	. Screen - Oil hose	1	ALL
44	110333	Screw - Oval hd 8-32 x 1/2	3	ALL
45	62274	Gasket - Pulse pump	1	ALL
46	62320C	Pulse Pump Assy	1	G,H,I,J,K
47	60260A	. Piston Assy - Pulse oiler	1	G,H,I,J,K
48	101758	. "O" Ring	1	G,H,I,J,K
49	60263	. Ring - Piston oiler	1	G,H,I,J,K
50	60937	. Washer - Teflon	1	G,H,I,J,K
51	60259	. Spring - Piston oiler	1	G,H,I,J,K
52	62227	. Sleeve - Oiler adjustment	1	G,H,I,J,K
53	110386	. Screw - Hex hd 8-32 x 1	1	G,H,I,J,K
54	100251	. Nut - Hex 8-32	1	G,H,I,J,K
55	63858	. Cover - Outlet valve	1	G,H,I,J,K
56	106104	. "O" Ring	1	G,H,I,J,K
57	62885A	. Spring - Outlet valve	1	G,H,I,J,K
58	102809	. Ball - 3/32 dia	1	G,H,I,J,K
59	62321B	. Body - Pulse pump	1	G,H,I,J,K
60	63263	Body Assy - Manual oiler	1	A,B,C,D,E,F
61	63262	. Screw - Check valve	1	A,B,C,D,E,F
62	63034	. Spring - Check valve	1	A,B,C,D,E,F
63	100071	. Ball - Check valve	1	A,B,C,D,E,F
64	62065	Bolt - Bar mounting	2	ALL
65	67243	Cylinder Crankcase Assy	1	A,B,G,H
	63922	Cylinder Crankcase Assy	1	C,D,E,F,I,J,K
66	62105	. Screw Assy - Sealing	4	ALL
67	62842	. . Washer - Sealing	4	ALL

Figure 6. Powerhead Assembly (Cont.)

Item No.	Part Number	Nomenclature	Units Per Assy	Usable on Code
68	110289	. Screw Assy - 8-32 x 1-1/8.	1	ALL
69	110288	. Screw Assy - 8-32 x 3/4	3	ALL
70	100010	. Pin - Cotter 3/32 x 1/2.	1	ALL
71	61649	Pin - Piston	1	ALL
72	62824	Piston Assy - Standard	1	ALL
73	62814	. Ring Set - Standard piston	1	ALL
74	103512	. Bearing - Needle	2	ALL
72	62825	Piston Assy - 0.020 oversize	1	ALL
73	62813	. Ring Set - 0.020 oversize.	1	ALL
74	103512	. Bearing - Needle	2	ALL
72	62826	Piston Assy - 0.030 oversize	1	ALL
73	62812	. Ring Set - 0.030 oversize.	1	ALL
74	103512	. Bearing - Needle	2	ALL
75	65401	Connecting Rod Assy.	1	ALL
76	61627A	. Screw - Skt hd 8-32 x 1/2	2	ALL
77	63225	. Roller Set - Needle (Set of 20)	1	ALL
78	65746	Oil Seal	1	ALL
79	110276	Retainer - Bearing	1	A,B,G,H
	63464	Ring - Snap	1	C,D,E,F,I,J,K
80	110348	Bearing - Ball	1	A,B,G,H
	63429B	Bearing - Ball	1	C,D,E,F,I,J,K
81	110260	Oil Seal	1	A,B,C,D,G,H,I,J
	65747	Oil Seal	1	E,F,K
82	104357	Bearing - Needle	1	ALL
83	61616	Crankshaft	1	A,B,G,H
	63336	Crankshaft	1	C,D,E,F,I,J,K