

Models	Serial Number Prefix
600410A	12-
600410B	14-
600410D	14-, 15-
600410E	15-

G-70 CHAIN SAW

ILLUSTRATED PARTS LIST

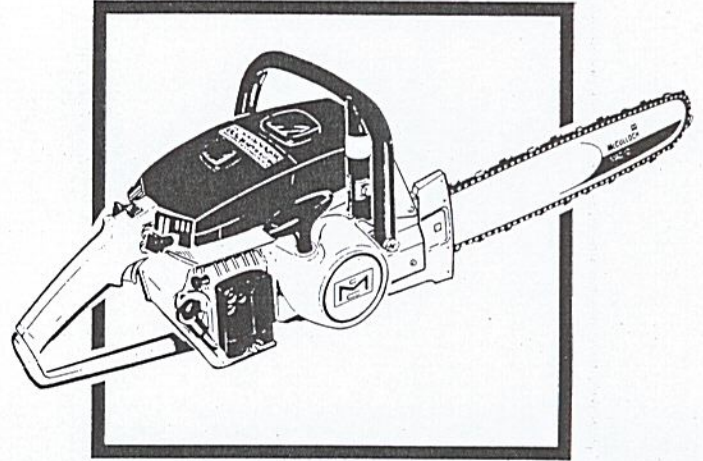
G-70 chain saws are identified by a model number (600410) followed by a suffix letter (A, B, D, etc.) stamped on the identification plate attached to the saw. Suffix letters denote variations in parts or assemblies in manufacture of the saw.

Part numbers listed in this I. P. L. and followed by a suffix letter, indicate the part is used on the model identified by that letter.

Part numbers listed without suffix letter or letters apply to all models of the G-70 saw.

The policy of McCulloch Corporation is one of continual improvement in design, manufacturing and engineering advancements wherever possible to assure still finer two-cycle power tools. Hence, specifications, equipment, colors, design and manufacturer's suggested list prices are subject to change without notice and the McCulloch Corporation reserves the right to make such changes without prior notification or obligation to backfit or supply backfit components for units previously shipped from the factory.

I. P. L. #87807 supersedes and cancels I.P.L. #85870.



OCTOBER 1972

	Page
Figure 1. General	2
Figure 2. Clutch and Starter Assemblies	4
Figure 3. Fuel Tank Assembly	4
Figure 4. Carburetor Assembly	6
Figure 5. Carburetor Assembly	6
Figure 6. Transmission Assembly	8
Figure 7. Powerhead Assembly	10

 **MCCULLOCH** 

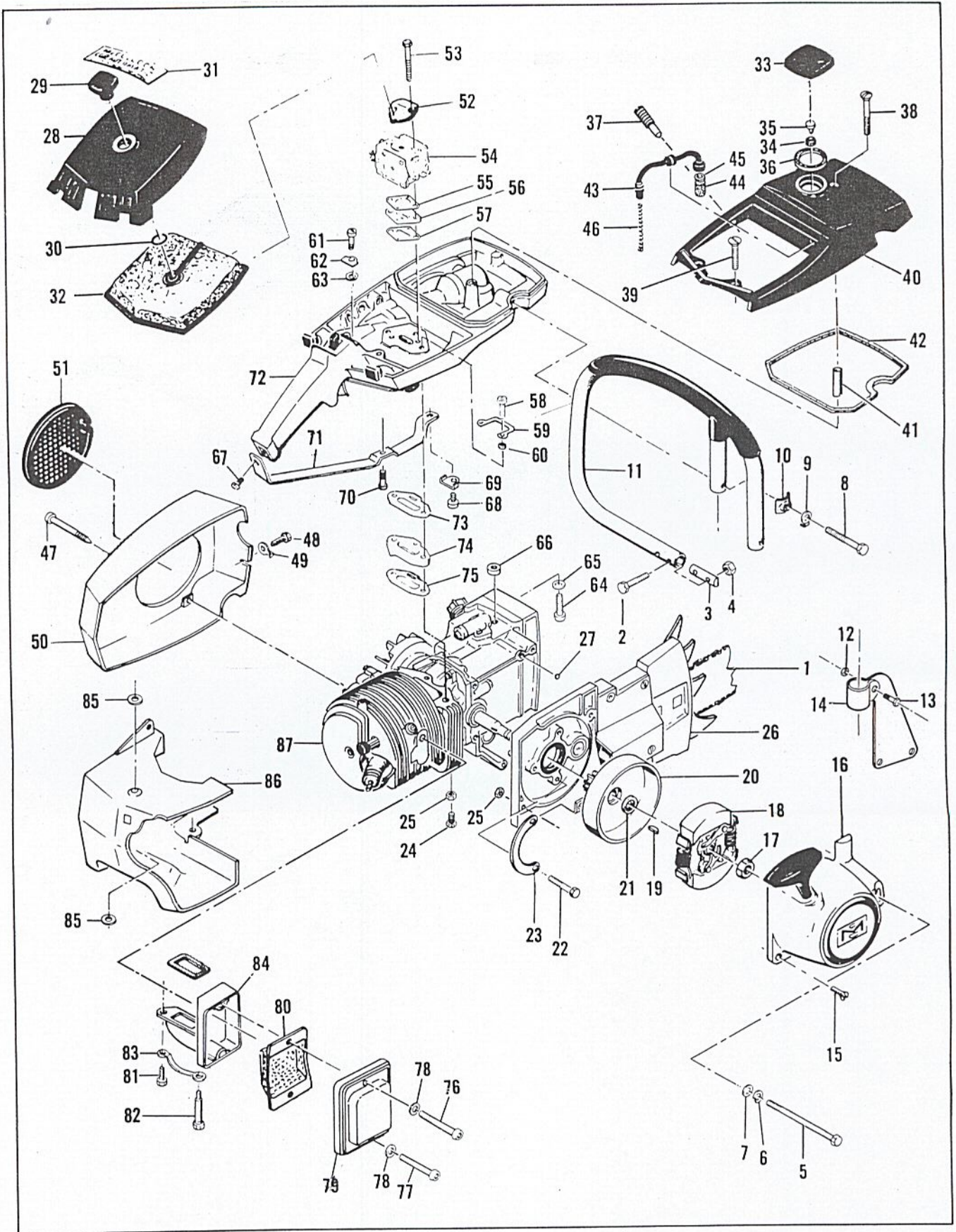


Figure 1. General Assembly

FIGURE 1. GENERAL

Item No.	Part Number	Description	Units Per Assy
1		Bar & Chain Assy (See Figure 6)	
2	102761	Screw - Hex hd 10-24 x 7/8	2
3	61678	Plug - Nut retainer	1
4	101326	Nut - Hex 10-24	2
5	-110874	Screw - Hex hd 10-24 x 3-5/8	1
6	103174	Lockwasher - #10	1
7	100003	Washer - #10	1
8	102130	Screw - Hex hd 1/4-20 x 1/2	1
9	69947	Lockplate	1
10	63484	Clamp - Frame	1
11	67479	Frame & Grip Assy	1
12	101326	Nut - Hex 10-24	1
13	102762	Screw - Hex hd 10-24 x 1/2	1
14	85006	Brace - Frame	1
15	110622	Screw - Oval hd 10-24 x 7/8	1
16		Starter Housing Assy (See Figure 2)	
17	110703	Nut - Hex 3/8-24 (R. H.)	1
18		Clutch Assy (See Figure 2)	
19	103879	Key - Woodruff	1
20	63493	Drum, Gear & Seal Assy	1
21	63476	Seal	1
22	104243	Screw - Hex hd 1/4-20 x 1-3/4	2
23	68509	Lockplate	1
24	-110341	Screw - Hex 10-24 x 1/2	1
25	105367	Nut - Hex 10-24	2
26		Transmission Assy (See Figure 6)	
27	106104	"O" Ring	1
28	68530	Cover Assy - Air cleaner	1
29	68529	Knob - Cover	1
30	110565	Ring - Retaining	1
31	86173	Nameplate	1
32	83230	Filter Assy - Air	1
33	86451	Cap Assy - Fuel	1
34	86453	Plug	1
35	53766A	Valve	1
36	69767	Gasket	1
37	② -87932	Screw - Idle adjustment	1
38	110402	Screw - Oval hd 12-24 x 2-3/8	1
39	103579	Screw - Fl hd 10-24 x 1	2
40	① 69679	Cover - Fuel tank	1
	② -87815	Cover - Fuel tank	1
41	-87840	Spacer - Cover	1
42	69345	Gasket - Cover	1
43	64848	Hose Assy - Fuel	1
44	63932	Filter - Fuel	1
45	100440	Washer	1

Item No.	Part Number	Description	Units Per Assy
46	67944	Spring - Hose	1
47	62978	Screw - Special	3
48	102762	Screw - Hex hd 10-24 x 1/2	1
49	69890	Lockplate	1
50	83521	Kit - Fan housing	1
51	-87249	Guard - Flywheel	1
52	83204	Bracket Assy	1
53	103357	Screw - Hex hd 10-24 x 2-1/4	2
54		Carburetor Assy (See Figures 4 and 5)	
55	86189	Gasket - Carburetor	1
56	84078	Spacer - Carburetor	1
57	84081	Gasket - Spacer	1
58	110567	Screw - Hex hd 12-24 x 1-1/4	2
59	68582	Lockplate	1
60	102115	Washer - #12	2
61	110568	Screw - Hex hd 12-24 x 1-1/8	1
62	69516	Lockplate	1
63	64856	Washer - Special	1
64	110713	Screw - Skt hd 10-24 x 7/8	1
65	100003	Washer - #10	1
66	68219	Spacer - Fuel tank	1
67	106078	Screw - Pan hd 10-24 x 7/16 (SEMS)	1
68	110566	Screw - Hex hd 12-24 x 5/8	1
69	68508	Lockplate	1
70	110682	Screw - Hex hd 10-24 x 7/8	1
71	85007	Brace - Handle	1
72		Fuel Tank Assy (See Figure 3)	
73	84082	Gasket - Fuel tank	1
74	84080	Insulator - Fuel tank	1
75	68594	Gasket - Insulator	1
76	-104534	Screw - Skt hd 10-24 x 1-13/32	1
77	-101563	Screw - Skt hd 10-24 x 1-1/4	1
78	-24236	Washer - Special	2
79	-83966	Cover - Muffler	1
80	-85152	Baffle - Muffler (A)	1
81	110529	Screw - Hex hd 10-24 x 1/2	1
82	68187	Screw - Special	1
83	67922	Lockplate	1
84	-87663	Body & Duct Assy - Muffler	1
85	68581	Insulator - Shroud	2
86	85731	Shroud	1
87		Powerhead Assy (See Figure 7)	

① Used on Model 600410A with serial numbers prefixed 11-, and on Models 600410B and 600410D with serial numbers prefixed 14-.

② Used on Model 600410A with serial numbers prefixed 12-, and on Models 600410D and 600410E with serial numbers prefixed 15-.

Part numbers which have changed since the previous printing of the illustrated parts list covering these saws, are indicated by a dash (-) preceding the new part number.

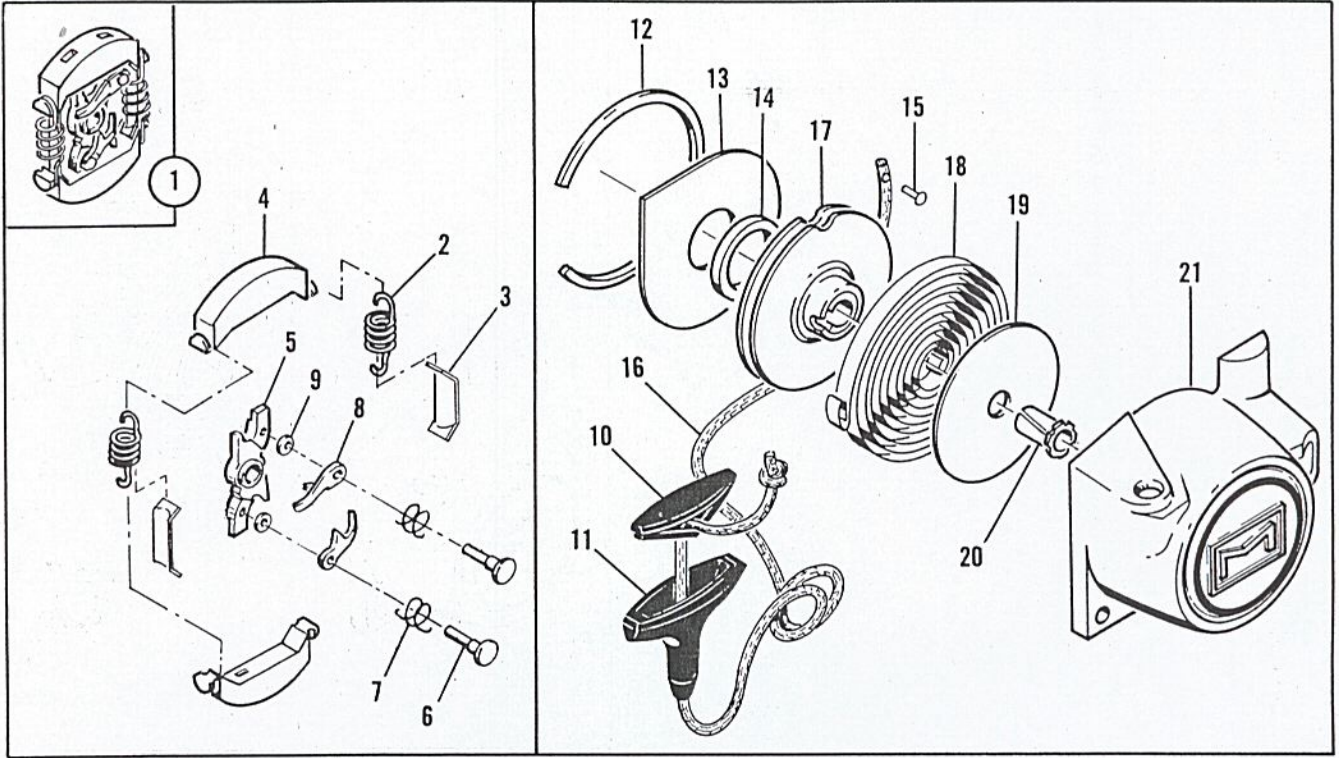


Figure 2. Clutch and Starter Assembly

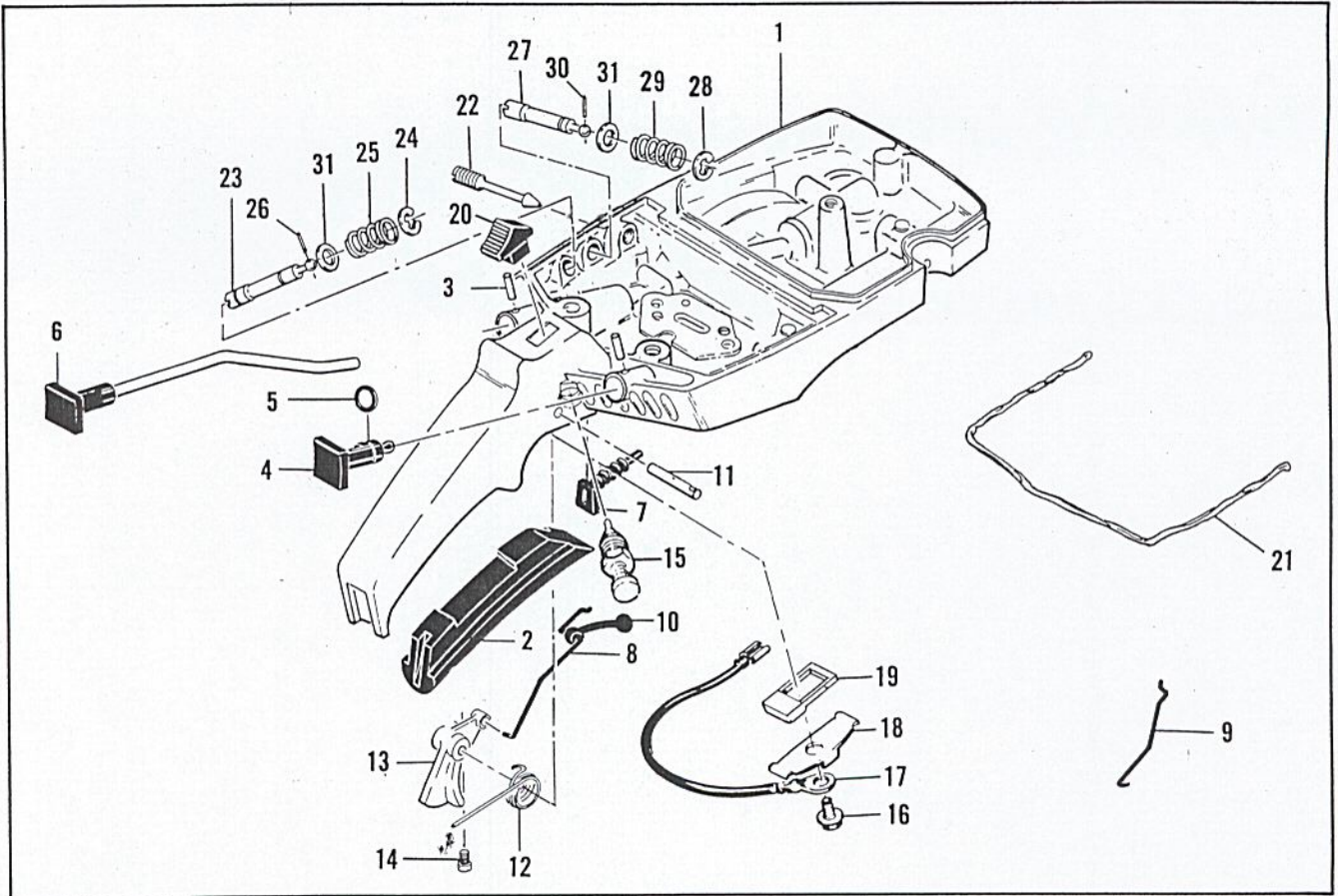


Figure 3. Fuel Tank Assembly

FIGURE 2. CLUTCH AND STARTER ASSEMBLY

Item No.	Part Number	Description	Units Per Assy
1	83655	Clutch Assy	1
2	83223	. Spring - Clutch	2
3	64583	. Retainer - Spring	2
4	67233	. Shoe - Clutch	2
5	67149	. Rotor Assy - Clutch	1
6	83653	. . Rivet	2
7	83654	. . Spring - Pawl	2
8	24093	. . Pawl - Starter	2
9	65473	. . Washer - Special	2
	85857	Starter Housing Assy	1
10	62191A	. Insert - Handle	1

Item No.	Part Number	Description	Units Per Assy
11	62190A	. Handle - Starter	1
12	67205	. Retainer - Shield	1
13	63985	. Shield - Dust	1
14	63986	. Washer - Thrust	1
15	110470	. Rivet - Rope	1
16	69964	. Rope - Starter	1
17	85124	. Drum - Starter	1
18	87680	. Spring - Rewind	1
19	63987	. Shield - Spring	1
20	61635A	. Bushing - Nyliner	1
21	84343	. Housing - Starter	1

FIGURE 3. FUEL TANK ASSEMBLY

Item No.	Part Number	Description	Units Per Assy
1	① 84183	Fuel Tank Assy	1
	② -87685	Fuel Tank Assy	1
2	-87883	Grip - Handle	1
3	105673	Pin - Roll 3/32 x 9/16	2
4	69041	Button - Choke	1
5	101056	"O" Ring	1
6	64871	Button & Rod Assy	1
7	68522	Seal - Throttle rod	1
8	85107	Rod - Throttle	1
9	69042	Rod - Choke	1
10	69043	Snubber - Rod	1
11	110378	Pin - Roll 3/16 x 15/16	1
12	-87178	Spring - Throttle return	1
13	86450	Trigger	1
14	110668	Screw - Trigger adjustment	1
15	85451	Latch Assy - Throttle	1

Item No.	Part Number	Description	Units Per Assy
16	103672	Screw - Fil hd 8-32 x 1/2 (SEMS)	1
17	62973A	Wire Assy - Stop switch	1
18	62451	Contact - Switch	1
19	62950A	Base - Switch	1
20	68846	Button - Switch	1
21	*69564	Seal - Airbox	AR
22	① 67271	Screw - Idle adjustment	1
23	① 68102	Extension Assy - High speed	1
24	① 110512	. Ring - Retaining	1
25	① 67363	. Spring	1
26	① 110509	. Pin - Groove	1
27	① 68101	Extension Assy - Idle	1
28	① 110512	. Ring - Retaining	1
29	① 67363	. Spring	1
30	① 110509	. Pin - Groove	1
31	① 67292	Washer	2

*Furnished on a 12-1/2 inch strip containing 9 beads of sealant (enough for 9 replacements).

- ① Used on Model 600410A with serial numbers prefixed 11-, and on Models 600410B and 600410D with serial numbers prefixed 14-.
- ② Used on Model 600410A with serial numbers prefixed 12-, and on Models 600410D and 600410E with serial numbers prefixed 15-.

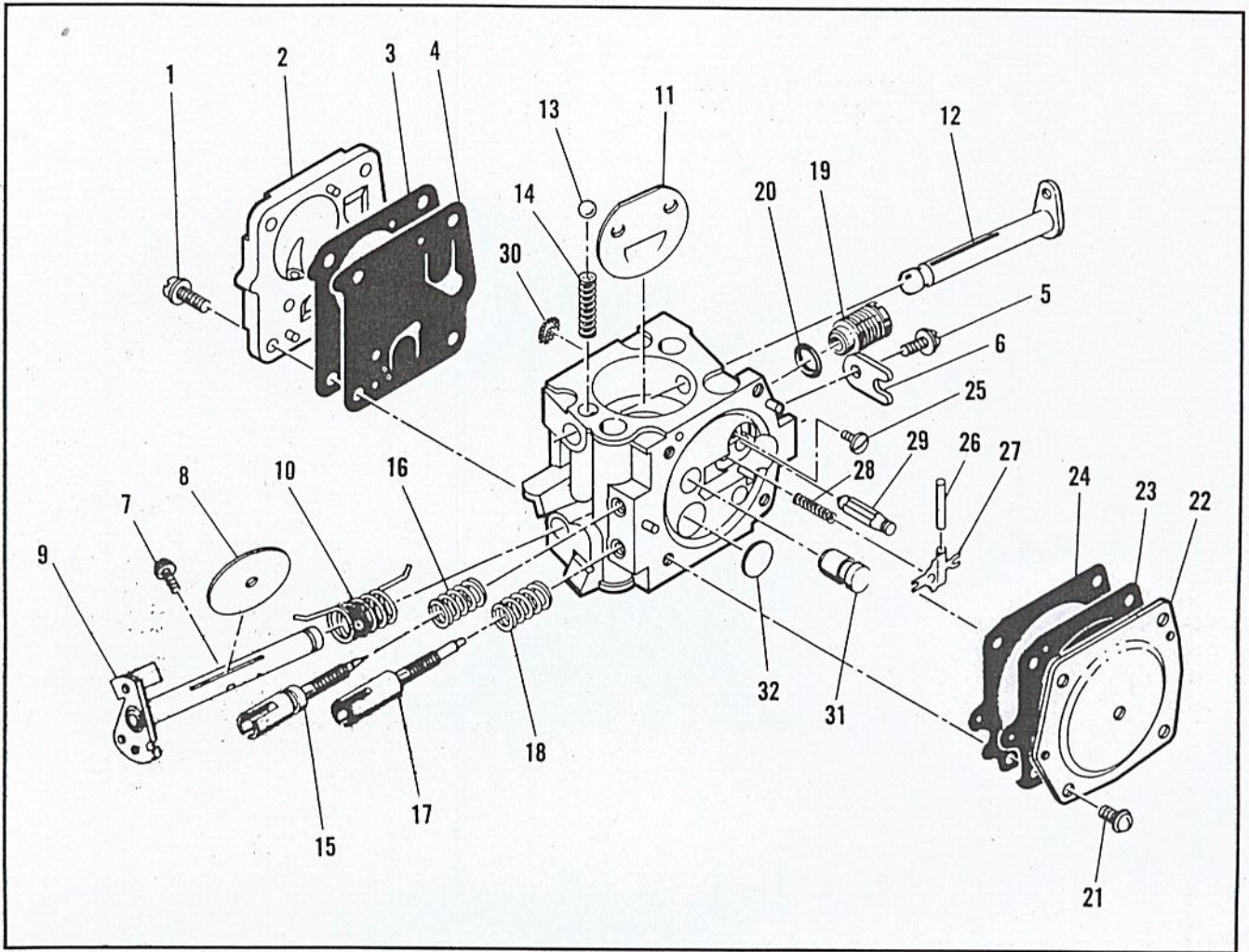


Figure 4. Carburetor Assembly

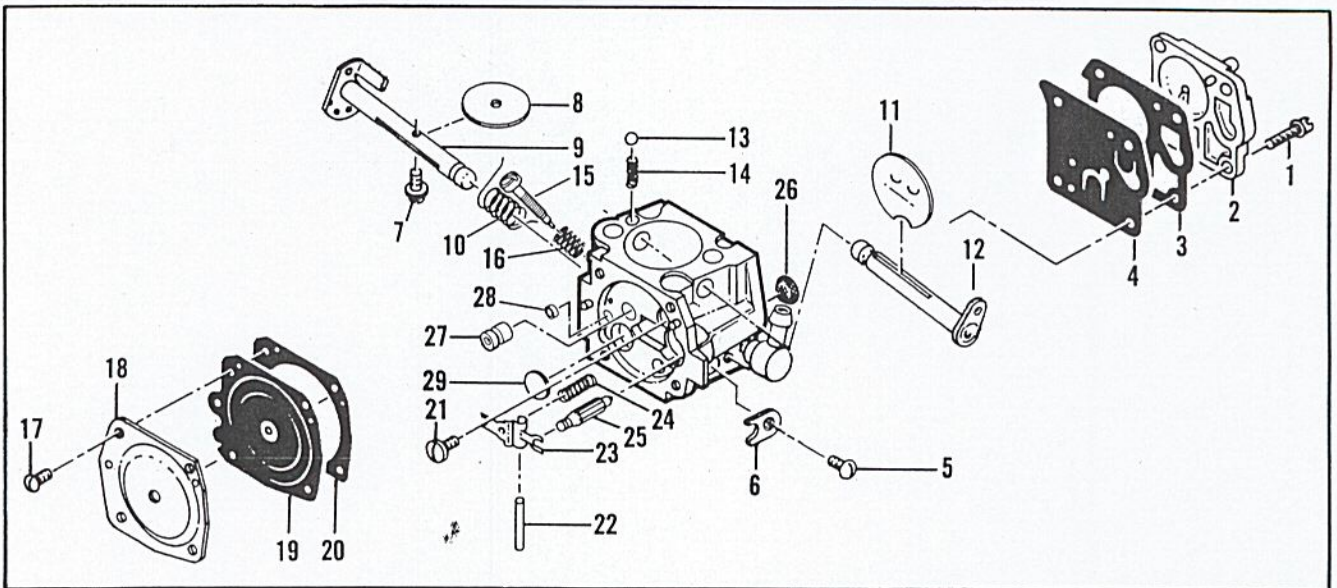


Figure 5. Carburetor Assembly

FIGURE 4. CARBURETOR ASSEMBLY

Item No.	Part Number	Description	Units Per Assy
*	69948	Carburetor Assy	1
1	52933	. Screw - Pump cover	4
2	66628	. Cover - Pump	1
3	66629	. Gasket - Cover	1
4	66630	. Diaphragm - Fuel pump	1
5	48780	. Screw - Clip retainer	1
6	66646	. Clip - Throttle shaft	1
7	48780	. Screw - Plate	1
8	51720	. Plate - Throttle	1
9	83546	. Shaft Assy - Throttle	1
10	67136	. Spring - Throttle return	1
11	65856	. Plate - Choke	1
12	83725	. Shaft Assy - Choke	1
13	100071	. Ball - Choke friction	1
14	52930	. Spring - Choke friction	1
15	83477	. Needle - High speed	1
16	52936	. Spring - High speed needle	1

* Used on Models - 600410, S/N prefix A10-, 13-,
600410B,D, S/N prefix 14-.

Item No.	Part Number	Description	Units Per Assy
17	83547	. Needle - Idle	1
18	67133	. Spring - Idle needle	1
19	83549	. Valve Assy - Governor	1
20	83548	. Gasket - Valve	1
21	51721	. Screw - Diaphragm cover	4
22	83724	. Cover - Diaphragm	1
23	66632	. Diaphragm - Metering	1
24	66633	. Gasket - Diaphragm	1
25	83479	. Screw - Lever pin	1
26	66636	. Pin - Lever	1
27	66638	. Lever - Metering	1
28	66404	. Spring - Lever	1
29	66637	. Valve - Needle	1
30	66623	. Screen - Fuel inlet	1
31	83729	. Check Valve - Nozzle	1
32	66622	. Plug - Welch	1

FIGURE 5. CARBURETOR ASSEMBLY

Item No.	Part Number	Description	Units Per Assy
**	-87809	Carburetor Assy	1
1	52933	. Screw - Pump cover	4
2	66628	. Cover - Pump	1
3	66629	. Gasket - Pump cover	1
4	*66630	. Diaphragm - Fuel pump	1
5	48780	. Screw - Throttle shaft clip	1
6	66646	. Clip - Throttle shaft	1
7	*48780	. Screw - Throttle plate	1
8	51720	. Plate - Throttle	1
9	-87922	. Shaft Assy - Throttle	1
10	*67136	. Spring - Throttle shaft	1
11	65856	. Plate - Choke	1
12	83725	. Shaft Assy - Choke	1
13	100071	. Ball - Choke friction	1
14	48759	. Spring - Choke friction	1
15	88768	. Needle - Idle mixture	1
16	*66626	. Spring - Idle mixture needle	1

Item No.	Part Number	Description	Units Per Assy
17	61725	. Screw - Diaphragm cover	4
18	83724	. Cover - Diaphragm	1
19	*66632	. Diaphragm - Metering	1
20	66633	. Gasket - Diaphragm	1
21	*66644	. Screw - Inlet lever pin	1
22	*66636	. Pin - Inlet lever	1
23	*66638	. Lever - Inlet	1
24	*66404	. Spring - Inlet lever	1
25	66637	. Needle - Inlet	1
26	*66623	. Screen - Fuel inlet	1
27	-88772	. Jet - High speed fuel (.028")	1
	-88771	Jet - H/S fuel (.029")	Alt.
	-88780	Jet - H/S fuel (.026")	Alt.
	-88781	Jet - H/S fuel (.027")	Alt.
28	52928	. Plug - Cup	1
29	*66622	. Plug - Welch	1
	-*88774	Gasket Set	
	- 88775	Repair Kit	
	- 88776	Gasket & Diaphragm Set	

*Indicates parts included in Repair Kit, P/N 88775.

** Used on Models - 600410A, S/N prefix 12-.
600410D, E, S/N prefix 15-.

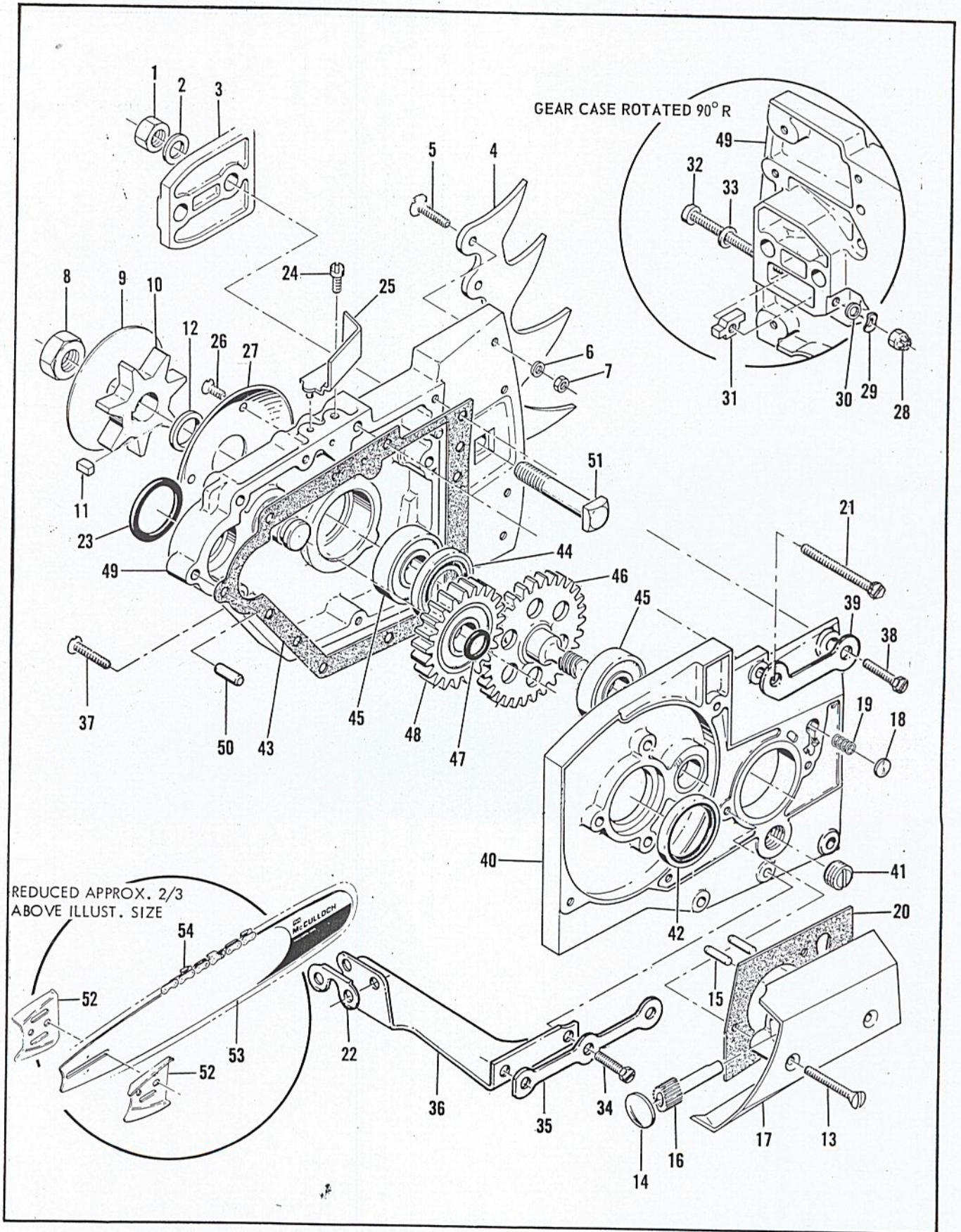


Figure 6. Transmission Assembly

FIGURE 6. TRANSMISSION ASSEMBLY

Item No.	Part Number	Description	Units Per Assy
1	110625	Nut - Hex 3/8-24	2
2	84623	Washer - 3/8	2
3	63417	Plate - Bar clamp	1
4	63994	Kit - Spike	1
5	110245	Screw - Fl hd 10-24 x 3/4	4
6	110264	Washer - #10	4
7	101191	Nut - Hex 10-24	4
8	60972	Nut - Hex 7/16-20	1
9	63997A	Plate - Sprocket	1
10	① 56442	Sprocket - 8T .404	1
	② 36644A	Sprocket - 7T 1/2	1
	③ 52069A	Sprocket - 7T .404	1
11	63808	Key - Sprocket	1
12	64754	Spacer - Sprocket	1
13	110406	Screw - Oval hd 8-32 x 1-1/4	2
	65882	Pump Assy - Oil	1
14	105559	Plug - Welch	1
15	110392	Pin - Plunger	2
16	63428	Plunger - Pump	1
17	65881	Body - Pump	1
18	62909	Valve - Oiler	1
19	63692	Spring - Valve	1
20	63474	Gasket - Pump	1
21	102765	Screw - Hex hd 10-24 x 1-3/4	1
22	83455	Lockplate	1
	68487	Transmission Assy (3:1)	1
23	104360	"O" Ring	1
24	110055	Screw - Fil hd 8-32 x 3/8 (SEMS)	1
25	63491	Filler	1

Item No.	Part Number	Description	Units Per Assy
26	110417	Screw - Fl hd 6-32 x 3/8	3
27	63416	Plate - Sprocket	1
28	102067	Nut - Hex 10-24	1
29	110387	Washer - Wave	1
30	100003	Washer - #10	1
31	63824A	Nut - Bar adjustment	1
32	110548	Screw - Bar adjustment	1
33	110264	Washer	1
34	102290	Screw - Hex hd 10-24 x 1-1/8	1
35	83457	Lockplate	1
36	67066	Brace - Gearcase	1
37	110405	Screw - Oval hd 8-32 x 7/8	3
38	102760	Screw - Hex hd 10-24 x 1	1
39	83456	Lockplate	1
40	68490	Cover Assy - Gearcase (3:1)	1
41	100432	Plug - Filler	1
42	63477	Seal - Pinion gear	1
43	68576	Gasket - Cover	1
44	63478	Seal - Gearcase	1
45	110348	Bearing - Sprocket shaft	2
46	64775	Gear - Sprocket	1
47	110452	"O" Ring	1
48	66616	Gear Assy - Idler	1
49	68488	Gearcase (3:1)	1
50	101770	Pin - Dowel	2
51	64584	Bolt - Bar	2
52	64935	Plate - Bar protector	2
53		Bar	1
54		Chain Assy	1

- ① Used on Models 600410B and 600410D with serial numbers prefixed 14-.
- ② Used on Model 600410A with serial numbers prefixed 11- and 12-, and on Model 600410D with serial numbers prefixed 15-.
- ③ Used on Model 600410E with serial numbers prefixed 15-.

ACCESSORIES

Part Number	Description
68585	Transmission (2:1)
84453	Kit - Piston tool
84922	Baffle - Muffler
63097	Spark Plug - AC CS 45T (B, D, E)
65778	Spark Plug - AC CS 41T (B, D, E)

Part Number	Description
-65408	Spark Plug - Ch CJ8 (A)
-65551	Spark Plug - Ch CJ4 (A)
-86419	Guide - Timing
85726	Manual - Owner's
61040	Wrench - Screwdriver

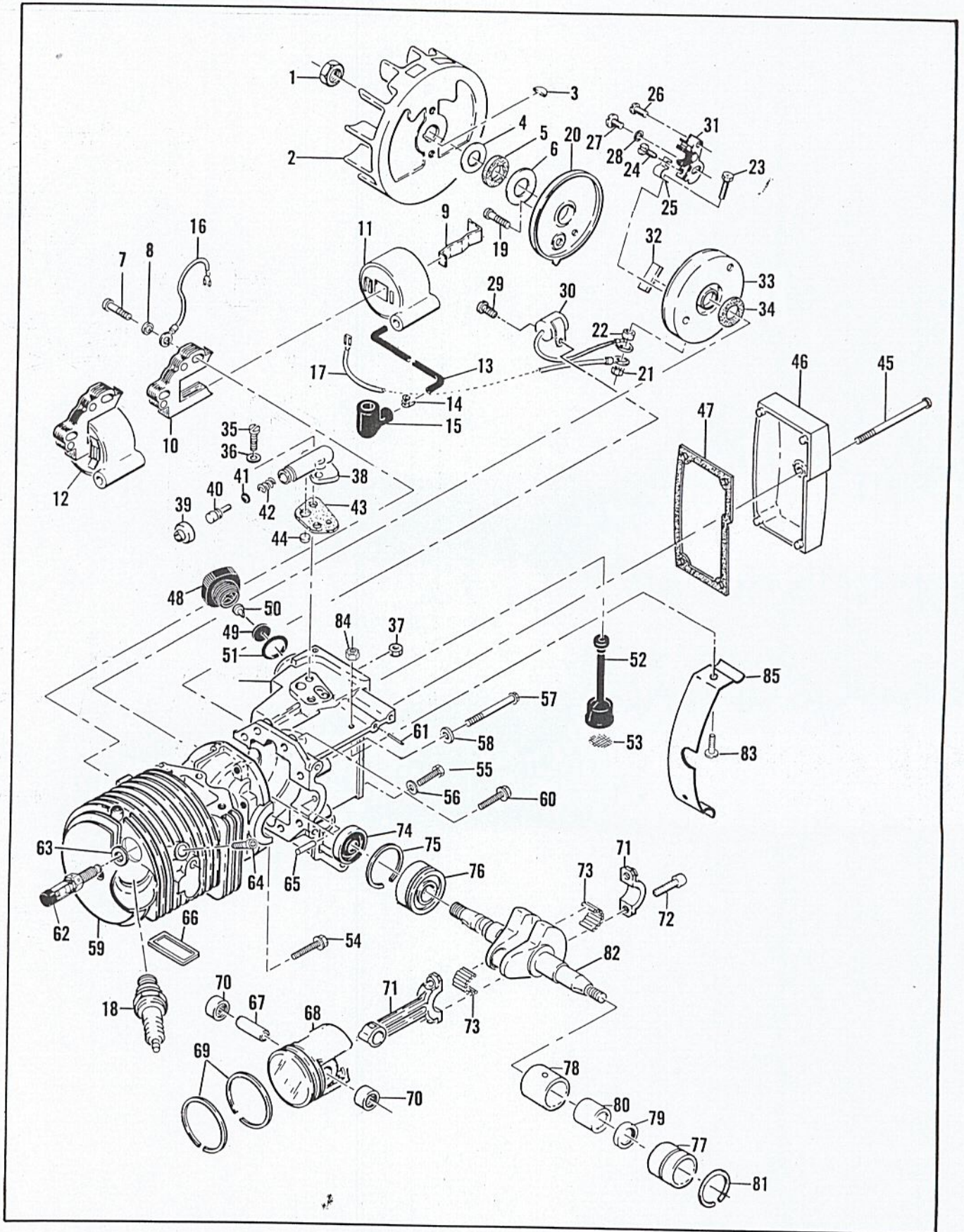


Figure 7. Powerhead Assembly

FIGURE 7. POWERHEAD ASSEMBLY

Item No.	Part Number	Description	Units Per Assy
1	110703	Nut - Hex 3/8-24	1
2	86068	Flywheel Assy	1
3	103879	Key - Woodruff	1
4	67057	Washer - Thrust	1
5	67056	Seal	1
6	67054	Washer - Thrust	1
7	110127	Screw - Hex hd 10-24 x 7/8	2
8	-100002	Washer - #10	2
9	① 51253	Retainer - Coil	1
10	① 85138	Lamination Assy	1
11	① 84972	Kit - Coil	1
12	② -87246	Coil & Lamination Assy	1
13	50120	. Wire Assy - Spark plug	1
14	55061	. . Connector	1
15	-85758	. . Boot	1
16	62819	Wire Assy - Ground	1
17	69344	Wire Assy - Primary	1
18	-65409	Spark Plug - Ch CJ6 (A)	1
	63432	Spark Plug - AC CS 42T (B, D, E)	1
19	110584	Screw - Rd hd 8-32 x 3/4	1
20	62362	Cover - Breaker box	1
21	100298	Nut - Hex 6-32	1
22	62365	Spacer - Breaker	1
23	110346	Screw - Hex hd 6-32 x 3/4	1
24	-110706	Screw - Pan hd 8-18 x 1/2	1
25	83126	Strap - Conductor	1
26	110811	Screw - Pan hd 8-32 x 3/8	1
27	110445	Screw - Tr hd 8-32 x 3/8	1
28	105976	Washer - #8	1
29	110544	Screw - Pan hd 8-32 x 3/8	1
30	85358	Condenser	1
31	66231	Breaker Assy	1
32	54184	Wiper - Cam	1
33	84329	Box - Breaker	1
34	67051	Seal - Box	1
35	110623	Screw - Fil hd 8-32 x 1/2	2
36	105976	Washer - #8	2
37	100955	Nut - Hex 8-32	1
38	84156	Housing - Pump	1
39	62262	Cap - Housing	1
40	62266	Plunger - Pump	1
41	101056	"O" Ring	1
42	66687	Spring - Plunger	1
43	62230	Gasket - Pump	1
44	62909	Valve - Pump	1

Item No.	Part Number	Description	Units Per Assy
45	110407	Screw - Pan hd 10-24 x 3-1/2	1
46	63974	Cover - Oil tank	1
47	63442	Gasket - Cover	1
48	-87270	Cap Assy - Oil	1
49	-87269	. Retainer - Valve	1
50	-86402	. Valve - Cap	1
51	101148	"O" Ring	1
52	62123B	Hose Assy - Oil	1
53	51506	. Screen - Hose	1
54	110404	Screw Assy - Hex hd 8-32 x 7/8	1
55	63607	Screw Assy - Sealing	1
56	63606	. Washer - Sealing	1
57	62105	Screw Assy - Sealing	4
58	62842	. Washer - Sealing	4
59	-87810	Crankcase Assy	1
60	110288	. Screw Assy - Hex hd 8-32 x 3/4	2
61	105826	. Pin - Roll	1
62	-87866	. Valve - DSP	1
63	85505	. Washer - Valve	1
64	110681	. Screw - Skt hd 10-24 x 1/4	1
65	-110851	. Pin - Dowel	1
66	84007	. Gasket - Muffler	1
67	69020	Pin - Piston	1
68	85239	Piston Assy	1
69	-87166	. Ring Set - Piston	1
70	110590	. Bearing - Needle	2
71	85352	Connecting Rod Assy	1
72	61627A	. Screw - Skt hd special	2
73	84455	. Roller - Needle (set of 20)	1
74	61618	Seal - Oil	1
75	63464	Ring - Snap	1
76	63429B	Bearing - Ball	1
77	① 63492	Insert & Bearing Assy	1
78	② -87805	Insert & Bearing Assy	1
79	110260	. Seal - Oil	1
80	104357	. Bearing - Needle	1
81	① 63699	. Ring - Insert	1
82	84654	Crankshaft	1
83	110813	Screw - Pan hd 10-24 x 5/16	2
84	101191	Nut - Hex 10-24	2
85	65363	Guard - Crankcase	1

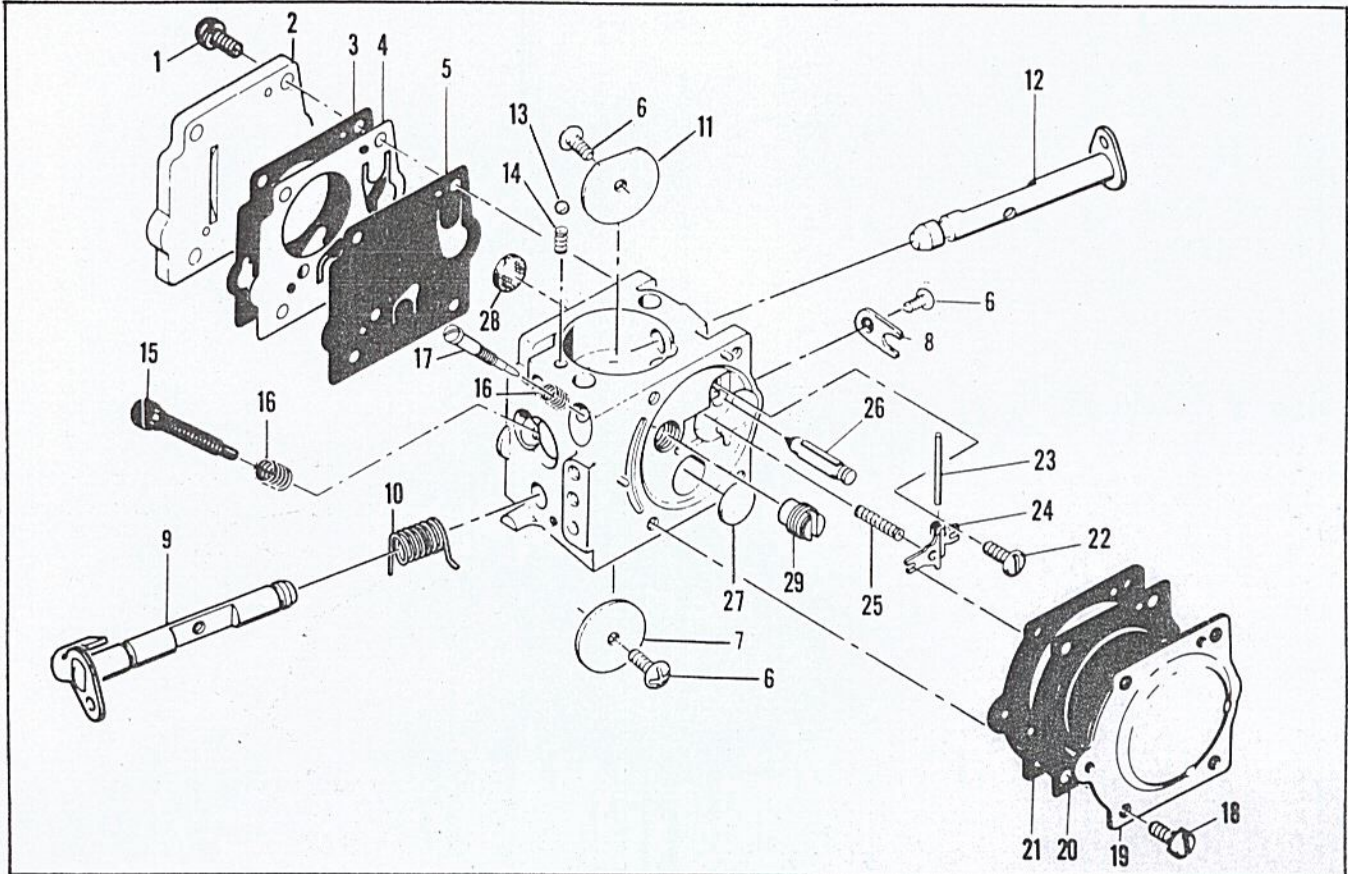
① Used on Model 600410A with serial numbers prefixed 11-, and on Models 600410B and 600410D with serial numbers prefixed 14-.

② Used on Model 600410A with serial numbers prefixed 12-, and on Models 600410D and 600410E with serial numbers prefixed 15-.

This addendum should be used with IPL, P/N 87807, when servicing G-70 chain saws, Model Number 600410D, Serial Number Prefix 16-.

This model is equipped with Walbro (SDC 58A) Carburetor Assembly, P/N 91275. This addendum is provided for servicing this carburetor.

Carburetor Assembly



Item No.	Part Number	Description	Units Per Asy	Item No.	Part Number	Description	Units Per Asy
	91275	① Carburetor Asy (SDC58A)	1	17	90345	. Needle-Idle mixture	1
1	67501	. Screw-Pump cover	4	18	70798	. Screw-Diaphragm cover	4
2	88731	. Kit-Pump cover	1	19	83761	. Cover-Diaphragm	1
3	88617	② . Gasket-Cover	1	20	67499	③ . Diaphragm-Metering	1
4	67498	③ . Diaphragm-Check valve	1	21	67496	② . Gasket-Diaphragm	1
5	83114	④ . Diaphragm-Fuel pump	1	22	67500	③ . Screw-Lever pin	1
6	47690	⑤ . Screw-Plate	3	23	67508	③ . Pin-Lever	1
7	83762	. Plate-Throttle	1	24	67509	③ . Lever-Inlet	1
8	67489	. Clip-Shaft	1	25	67503	③ . Spring-Lever	1
9	67486	. Shaft Asy-Throttle	1	26	67491	③ . Valve-Needle	1
10	85981	. Spring-Throttle return	1	27	71690	③ . Plug-3/8	1
11	67490	. Plate-Choke	1	28	67507	③ . Screen-Fuel	1
12	67488	. Shaft Asy-Choke	1	29	90350	. Jet-H/S fuel (28)	1
13	100302	③ . Ball-Choke friction	1		90351	. Jet-H/S fuel (26)	Alt.
14	67504	④ . Spring-Choke friction	1		90349	④ . Jet-H/S fuel (29)	Alt.
15	68106	③ . Screw-Idle speed	1		88619	③ Set-Gasket	
16	67502	③ . Spring-Idle	2		88620	Kit-Repair	

- ① Before ordering parts, identify carburetor on saw.
- ② Contained in Gasket Set, P/N 88619.
- ③ Contained in Repair Kit, P/N 88620.
- ④ Standard on G-70 chain saws. When replacing Carburetor, P/N 91275, on G-70 chain saws, install Jet, P/N 90349.