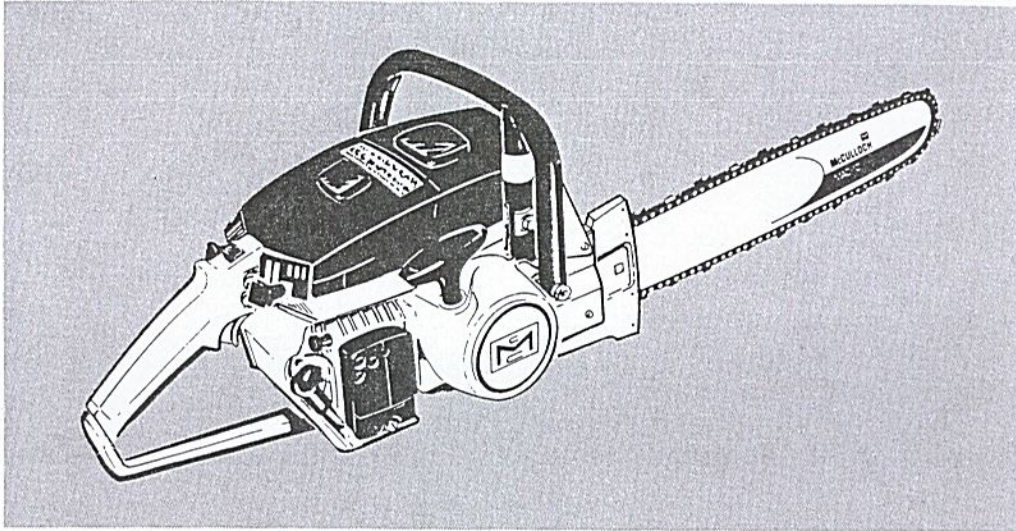


G-70 Chain Saw

Model Number 600410D
Model Number 600410B

Serial Numbers Prefixed 14-

ILLUSTRATED PARTS LIST



JANUARY 1972

The policy of McCulloch Corporation is one of continual improvement in design, manufacturing and engineering advancement wherever possible to assure still finer two-cycle power tools. Hence, specifications, equipment, colors, design and manufacturer's suggested list prices are subject to change without notice and McCulloch Corporation reserves the right to make such changes without prior notification or obligation to backfit or supply backfit components for units previously shipped from the factory.

	Page
Figure 1. General	2
Figure 2. Clutch & Starter Assembly	4
Figure 3. Fuel Tank Assembly	4
Figure 4. Carburetor Assembly	6
Figure 5. Transmission Assembly	8
Figure 6. Powerhead Assembly	10



McCULLOCH

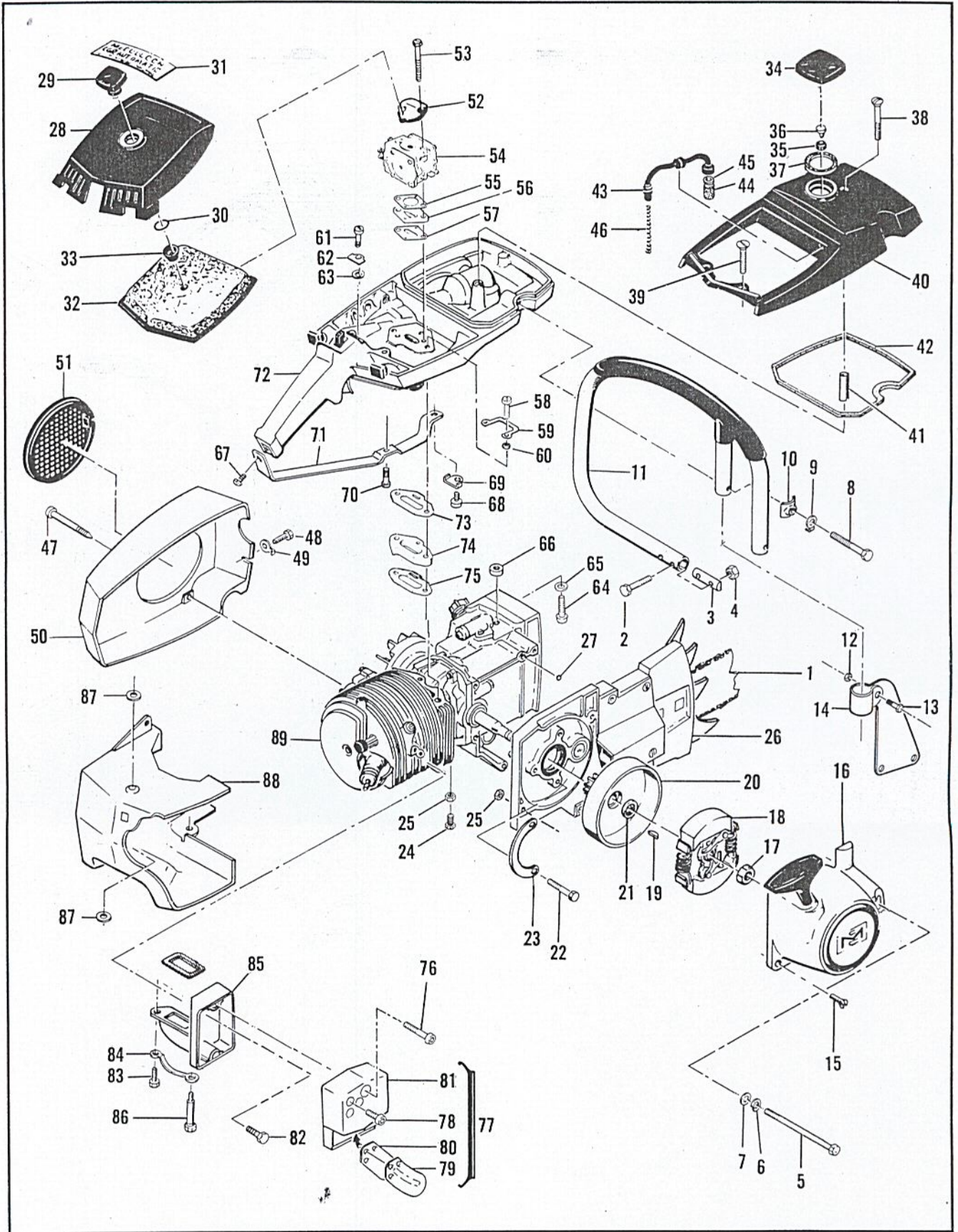


Figure 1. General

FIGURE 1. GENERAL

Item No.	Part Number	Description	Units Per Assy
1		Bar & Chain Assy (see Figure 5)	
2	102761	Screw - Hex hd 10-24 x 7/8	2
3	61678	Plug - Nut retainer	1
4	101326	Nut - Hex 10-24	2
5	110669	Screw - Hex hd 10-24 x 3-5/8	1
6	103174	Lockwasher - #10	1
7	100003	Washer - #10	1
8	102130	Screw - Hex hd 1/4-20 x 1/2	1
9	69947	Lockplate	1
10	63484	Clamp - Frame	1
11	67479	Frame & Grip Assy	1
12	101326	Nut - Hex 10-24	1
13	102762	Screw - Hex hd 10-24 x 1/2	1
14	85006	Brace - Frame	1
15	110622	Screw - Oval hd 10-24 x 7/8	1
16		Starter Housing Assy (see Figure 2)	
17	110703	Nut - Hex 3/8-24	1
18		Clutch Assy (see Figure 2)	
19	103879	Key - Woodruff	1
20	63493	Drum, Gear & Seal Assy	1
21	63476	Seal	1
22	104243	Screw - Hex hd 1/4-20 x 1-3/4	2
23	68509	Lockplate	1
24	103469	Screw - Hex hd 10-24 x 3/8	1
25	105367	Nut - Hex 10-24	2
26		Transmission Assy (see Figure 5)	
27	106104	"O" Ring	1
28	68530	Cover Assy - Air cleaner	1
29	68529	Knob - Cover	1
30	110565	Ring - Retaining	1
31	86173	Nameplate	1
32	83230	Filter Assy - Air	1
33	68528	Grommet	1
34	86451	Cap Assy - Fuel	1
35	86453	Plug	1
36	53766A	Valve	1
37	69767	Gasket	1
38	110402	Screw - Oval hd 12-24 x 2-3/8	1
39	103579	Screw - Fl hd 10-24 x 1	2
40	69679	Cover - Fuel tank	1
41	69686	Spacer - Cover	1
42	69345	Gasket - Cover	1
43	64848	Hose Assy - Fuel	1
44	63932	Filter - Fuel	1
45	100440	Washer	1
46	67944	Spring - Hose	1

Item No.	Part Number	Description	Units Per Assy
47	62978	Screw - Special	3
48	102762	Screw - Hex hd 10-24 x 1/2	1
49	69890	Lockplate	1
50	83521	Kit - Fan housing	1
51	55615	Guard - Flywheel	1
52	83204	Bracket Assy	1
53	103357	Screw - Hex hd 10-24 x 2-1/4	2
54		Carburetor Assy (see Figure 4)	
55	86189	Gasket - Carburetor	1
56	84078	Spacer - Carburetor	1
57	84081	Gasket - Spacer	1
58	110567	Screw - Hex hd 12-24 x 1-1/4	2
59	68582	Lockplate	1
60	102115	Washer - #12	2
61	110568	Screw - Hex hd 12-24 x 1-1/8	1
62	69516	Lockplate	1
63	64856	Washer - Special	1
64	110713	Screw - Skt hd 10-24 x 7/8	1
65	100003	Washer - #10	1
66	68219	Spacer - Fuel tank	1
67	106078	Screw - Pan hd 10-24 x 7/16 (SEMS)	1
68	110566	Screw - Hex hd 12-24 x 5/8	1
69	68508	Lockplate	2
70	110682	Screw - Hex hd 10-24 x 7/8	1
71	85007	Brace - Handle	1
72		Fuel Tank Assy (see Figure 3)	
73	84082	Gasket - Fuel tank	1
74	84080	Insulator - Fuel tank	1
75	68594	Gasket - Insulator	1
76	104560	Screw - Skt hd 10-24 x 1-1/2	2
77	65532	Cover and Valve Assy	1
78	110472	Screw - Skt hd 8-32 x 5/16	2
79	84780	Stop - Reed valve	1
80	84779	Valve - Reed	1
81	65419	Cover Assy	1
82	84776	Screw - Muffler	1
83	110529	Screw - Hex hd 10-24 x 1/2	2
84	67922	Lockplate	1
85	83106	Body & Duct Assy	1
86	68187	Screw - Hex hd special	1
87	68581	Insulator - Shroud	2
88	85731	Shroud	1
89		Powerhead Assy (see Figure 6)	

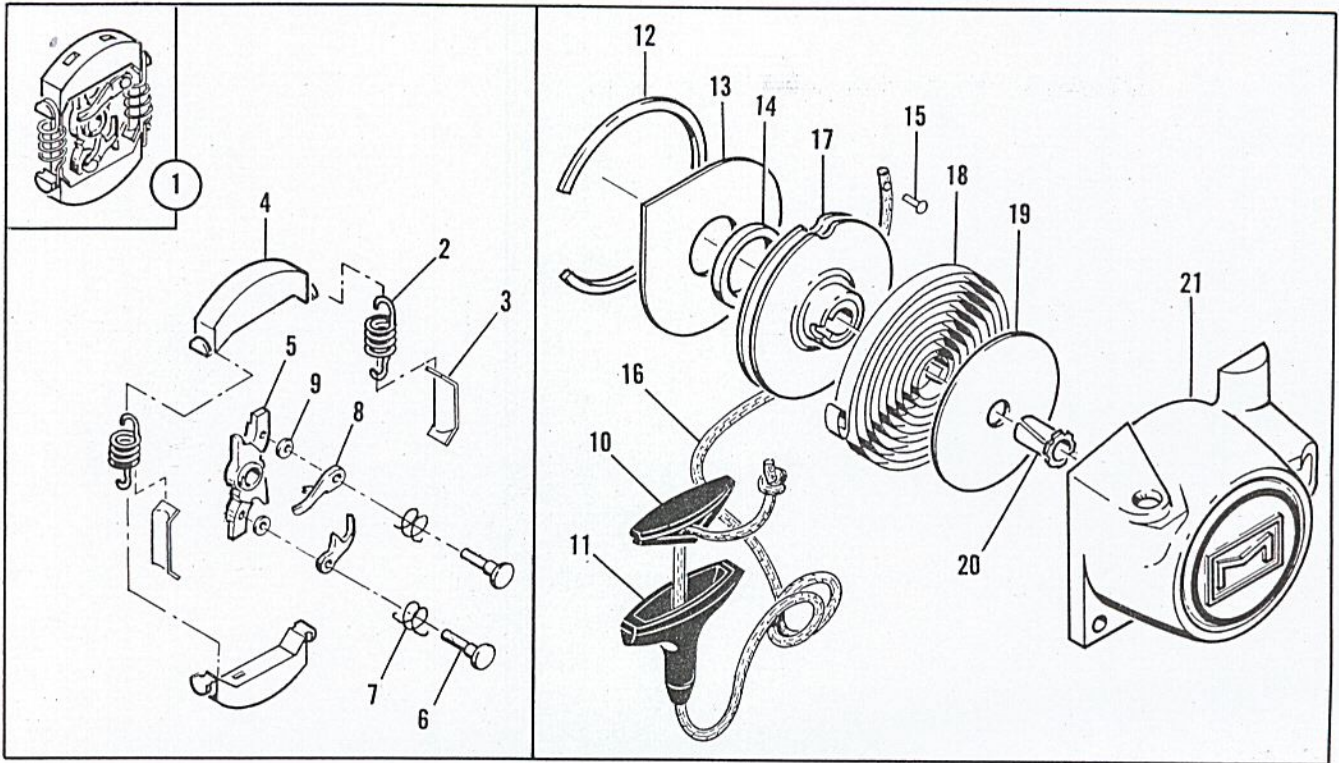


Figure 2. Clutch and Starter Assembly

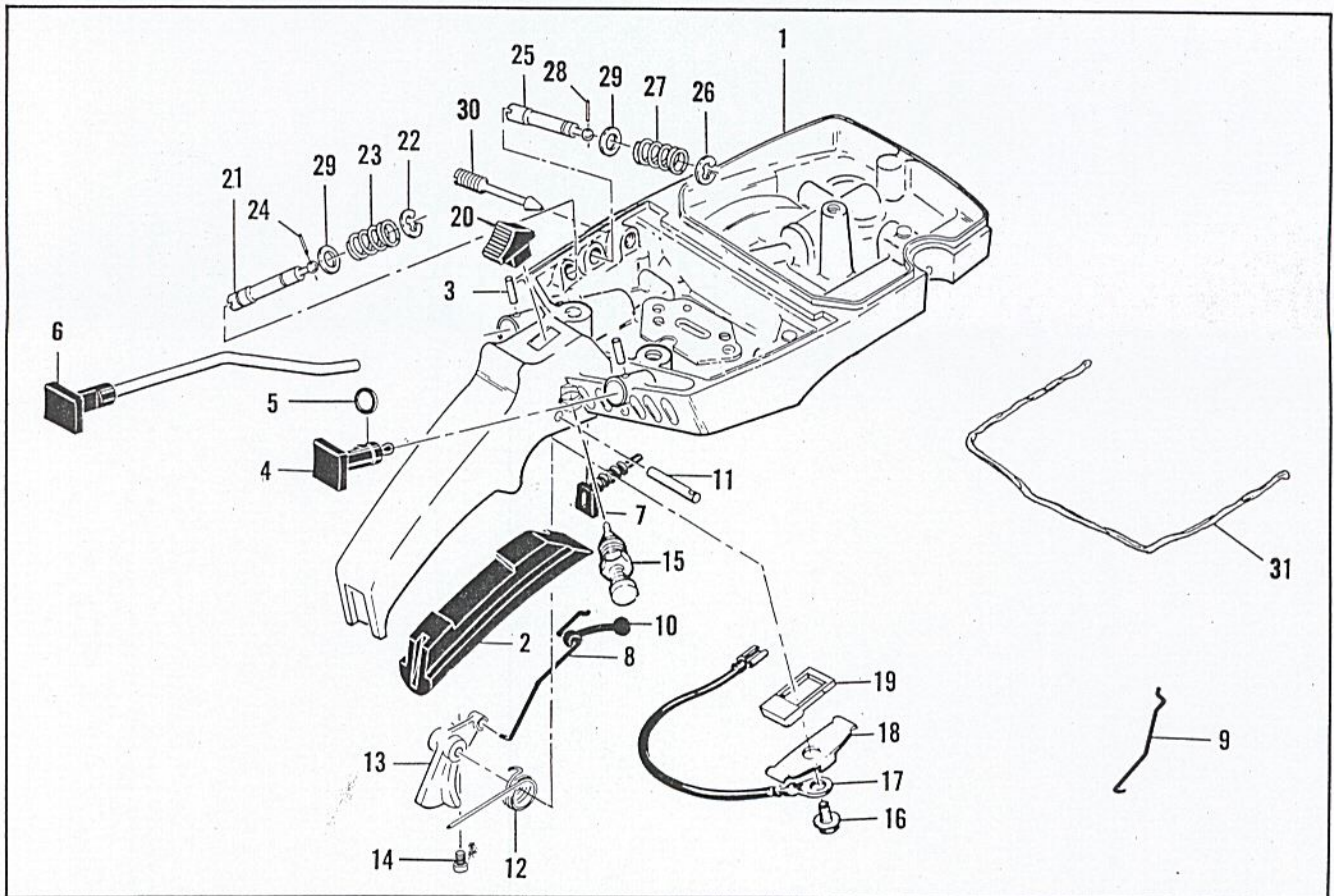


Figure 3. Fuel Tank Assembly

FIGURE 2. CLUTCH AND STARTER ASSEMBLY

Item No.	Part Number	Description	Units Per Assy
1	83655	Clutch Assy ✓	1
2	83223	. Spring - Clutch	2
3	64583	. Retainer - Spring	2
4	67233	. Shoe - Clutch	2
5	83671	. Rotor Assy - Clutch	1
6	83653	. . Rivet	2
7	83654	. . Spring - Pawl	2
8	24093	. . Pawl - Starter	2
9	65473	. . Washer - Special	2
	85857	Starter Housing Assy	1
10	62191A	. Insert - Handle	1

Item No.	Part Number	Description	Units Per Assy
11	62190A	. Handle - Starter	1
12	67205	. Retainer - Shield	1
13	63985	. Shield - Dust	1
14	63986	. Washer - Thrust	1
15	110470	. Rivet - Rope	1
16	69964	. Rope - Starter	1
17	85124	. Drum - Starter	1
18	83334	. Spring - Rewind	1
19	63987	. Shield - Spring	1
20	61635A	. Bushing - Nyliner	1
21	84343	. Housing - Starter	1

FIGURE 3. FUEL TANK ASSEMBLY

Item No.	Part Number	Description	Units Per Assy
1	84183	Fuel Tank Assy	1
2	64872	Grip - Handle	1
3	105673	Pin - Roll 3/32 x 9/16	2
4	69041	Button - Choke	1
5	101056	"O" Ring	1
6	64871	Button & Rod Assy	1
7	68522	Seal - Throttle rod	1
8	85107	Rod - Throttle	1
9	69042	Rod - Choke	1
10	69043	Snubber - Rod	1
11	110378	Pin - Roll 3/16 x 15/16	1
12	86027	Spring - Throttle return	1
13	86450	Trigger	1
14	110668	Screw - Trigger adjustment	1
15	85451	Latch Assy - Throttle	1
16	103672	Screw - Fil hd 8-32 x 1/2 (SEMS)	1

Item No.	Part Number	Description	Units Per Assy
17	62973A	Wire Assy - Stop switch	1
18	62451	Contact - Switch	1
19	62950A	Base - Switch	1
20	68846	Button - Switch	1
21	68102	Extension Assy - High speed	1
22	110512	. Ring - Retaining	1
23	67363	. Spring	1
24	110509	. Pin - Groove	1
25	68101	Extension Assy - Idle	1
26	110512	. Ring - Retaining	1
27	67363	. Spring	1
28	110509	. Pin - Groove	1
29	67292	Washer	2
30	67271	Screw - Idle adjustment	1
31	*69564	Seal - Airbox	AR

*Furnished on a 12-1/2 inch strip containing 9 beads of sealant (enough for 9 replacement).

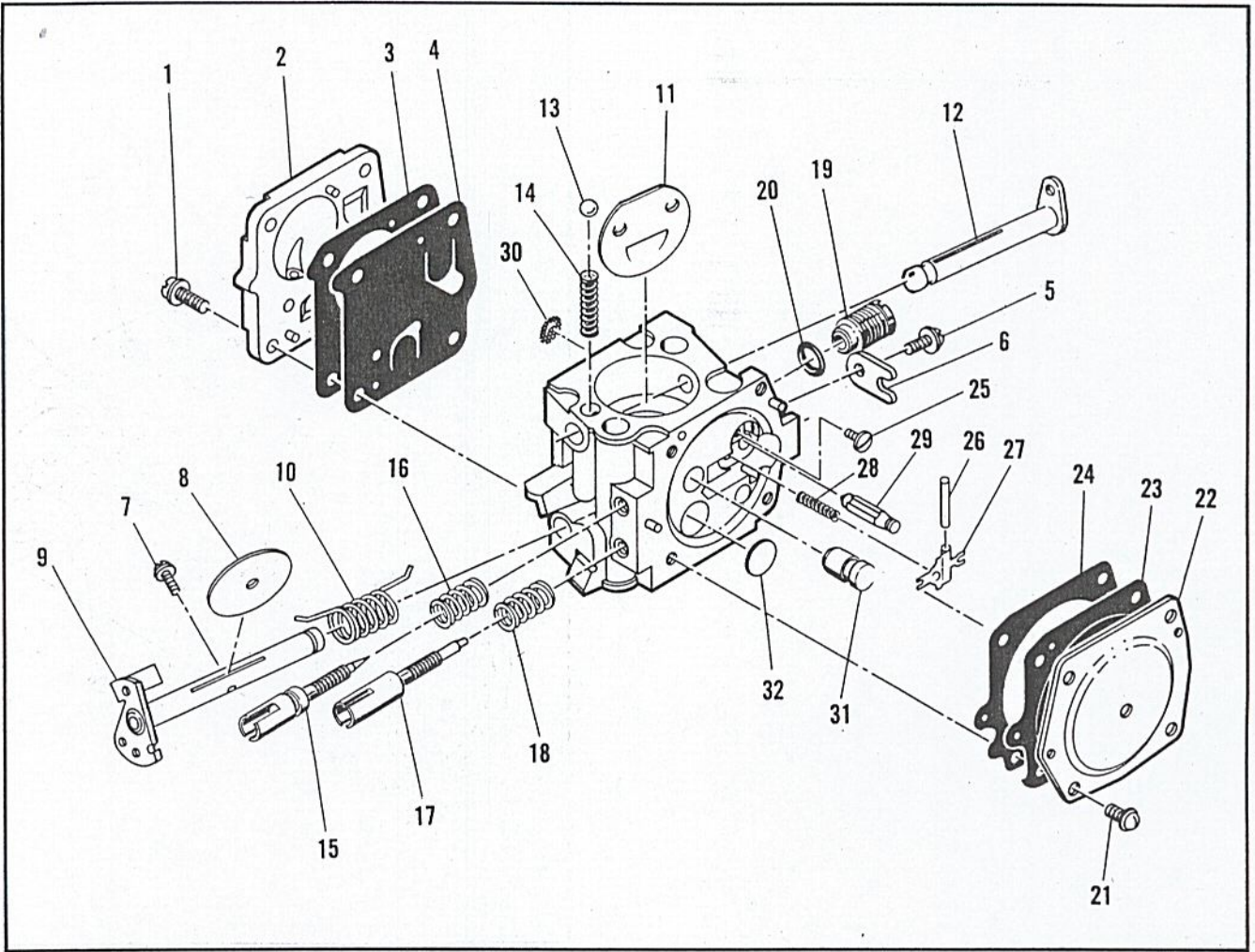


Figure 4. Carburetor Assembly

FIGURE 4. CARBURETOR ASSEMBLY

Item No.	Part Number	Description	Units Per Assy
	69948	Carburetor Assy	1
1	52933	. Screw - Pump cover	4
2	66628	. Cover - Pump	1
3	66629	. Gasket - Cover	1
4	66630	. Diaphragm - Fuel pump	1
5	48780	. Screw - Clip retainer	1
6	66646	. Clip - Throttle shaft	1
7	48780	. Screw - Plate	1
8	51720	. Plate - Throttle	1
9	83546	. Shaft Assy - Throttle	1
10	67136	. Spring - Throttle return	1
11	65856	. Plate - Choke	1
12	83725	. Shaft Assy - Choke	1
13	100071	. Ball - Choke friction	1
14	52930	. Spring - Choke friction	1
15	83477	. Needle - High speed	1
16	52936	. Spring - High speed needle	1

Item No.	Part Number	Description	Units Per Assy
17	83547	. Needle - Idle	1
18	67133	. Spring - Idle needle	1
19	83549	. Valve Assy - Governor	1
20	83548	. Gasket - Valve	1
21	51721	. Screw - Diaphragm cover	4
22	83724	. Cover - Diaphragm	1
23	66632	. Diaphragm - Metering	1
24	66633	. Gasket - Diaphragm	1
25	83479	. Screw - Lever pin	1
26	66636	. Pin - Lever	1
27	66638	. Lever - Metering	1
28	66404	. Spring - Lever	1
29	66637	. Valve - Needle	1
30	66623	. Screen - Fuel inlet	1
31	83729	. Check Valve - Nozzle	1
32	66622	. Plug - Welch	1

SERVICE SPECIFICATIONS

Spark Plug Gap	-----	0.025 in.
Lamination Gap	-----	0.010 to 0.015 in.
Breaker Point Gap	-----	0.018 in.
Carburetor Adjustment		
Idle Needle	- Preliminary adjustment 1 turn open. Adjust for smooth idle and acceleration.	
Main Needle	- Preliminary adjustment 1 turn open. Adjust for maximum power under load.	
Torque Values		
Flywheel Nut	-----	240 to 300 inch-pounds.
Clutch Nut	-----	160 to 170 inch-pounds.
Connecting Rod Screws	-----	65 to 70 inch-pounds.

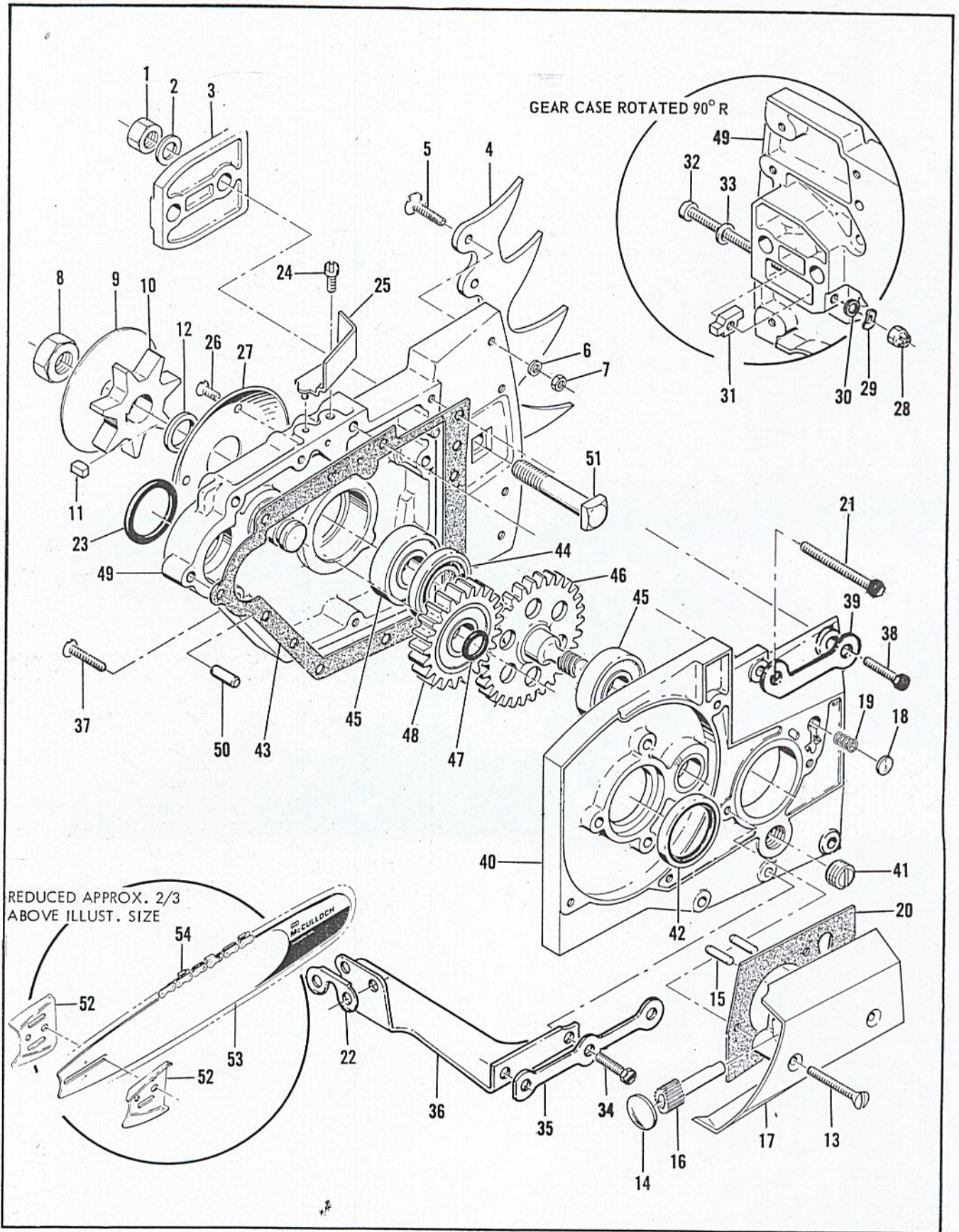


Figure 5. Transmission Assembly

FIGURE 5. TRANSMISSION ASSEMBLY

Item No.	Part Number	Description	Units Per Assy	Item No.	Part Number	Description	Units Per Assy
1	110625	Nut - Hex 3/8-24	2	27	63416	. Plate - Sprocket	1
2	84623	Washer - 3/8	2	28	102067	. Nut - Hex 10-24	1
3	63417	Plate - Bar clamp	1	29	110387	. Washer - Wave	1
4	63994	Kit - Spike	1	30	100003	. Washer - #10	1
5	110245	. Screw - Fl hd 10-24 x 3/4	4	31	63824A	. Nut - Bar adjustment	1
6	110264	. Washer - #10	4	32	110548	. Screw - Bar adjustment	1
7	101191	. Nut - Hex 10-24	4	33	110264	. Washer	1
8	60972	Nut - Hex 7/16-20	1	34	102290	. Screw - Hex hd 10-24 x 1-1/8	1
9	63997A	Plate - Sprocket	1	35	83457	. Lockplate	1
10	*56442	Sprocket	1	36	67066	. Brace - Gearcase	1
11	63808	Key - Sprocket	1	37	110405	. Screw - Oval hd 8-32 x 7/8	3
12	64754	Spacer - Sprocket	1	38	102760	. Screw - Hex hd 10-24 x 1	1
13	110406	Screw - Oval hd 8-32 x 1-1/4	2	39	83456	. Lockplate	1
	65882	Pump Assy - Oil	1	40	68490	. Cover Assy - Gearcase (3:1)	1
14	105559	. Plug - Welch	1	41	100432	. . Plug - Filler	1
15	110392	. Pin - Plunger	2	42	63477	. . Seal - Pinion gear	1
16	63428	. Plunger - Pump	1	43	68576	. Gasket - Cover	1
17	65881	. Body - Pump	1	44	63478	. Seal - Gearcase	1
18	62909	Valve - Oiler	1	45	110348	. Bearing - Sprocket shaft	2
19	63692	Spring - Valve	1	46	64775	. Gear - Sprocket	1
20	63474	Gasket - Pump	1	47	110452	. "O" Ring	1
21	102765	Screw - Hex hd 10-24 x 1-3/4	1	48	66616	. Gear Assy - Idler	1
22	83455	Lockplate	1	49	68488	. Gearcase (3:1)	1
	68487	Transmission Assy (3:1)	1	50	101770	. . Pin - Dowel	2
23	104360	. "O" Ring	1	51	64584	. . Bolt - Bar	2
24	110055	. Screw - Fil hd 8-32 x 3/8 (SEMS)	1	52	64935	Plate - Bar protector	2
25	63491	. Filler	1	53		Bar	1
26	110417	. Screw - Fl hd 6-32 x 3/8	3	54		Chain Assy	1

*Standard on Model 600420B
Accessory on Model 600410D

ACCESSORIES

Part Number	Description
68585	Transmission (2:1)
84453	Kit - Piston tool
84922	Baffle - Muffler
63097	Spark plug - AC CS 45T
65778	Spark plug - AC CS 41T
65712	Guide - Timing
85726	Manual - Owner's
61040	Wrench - Screwdriver

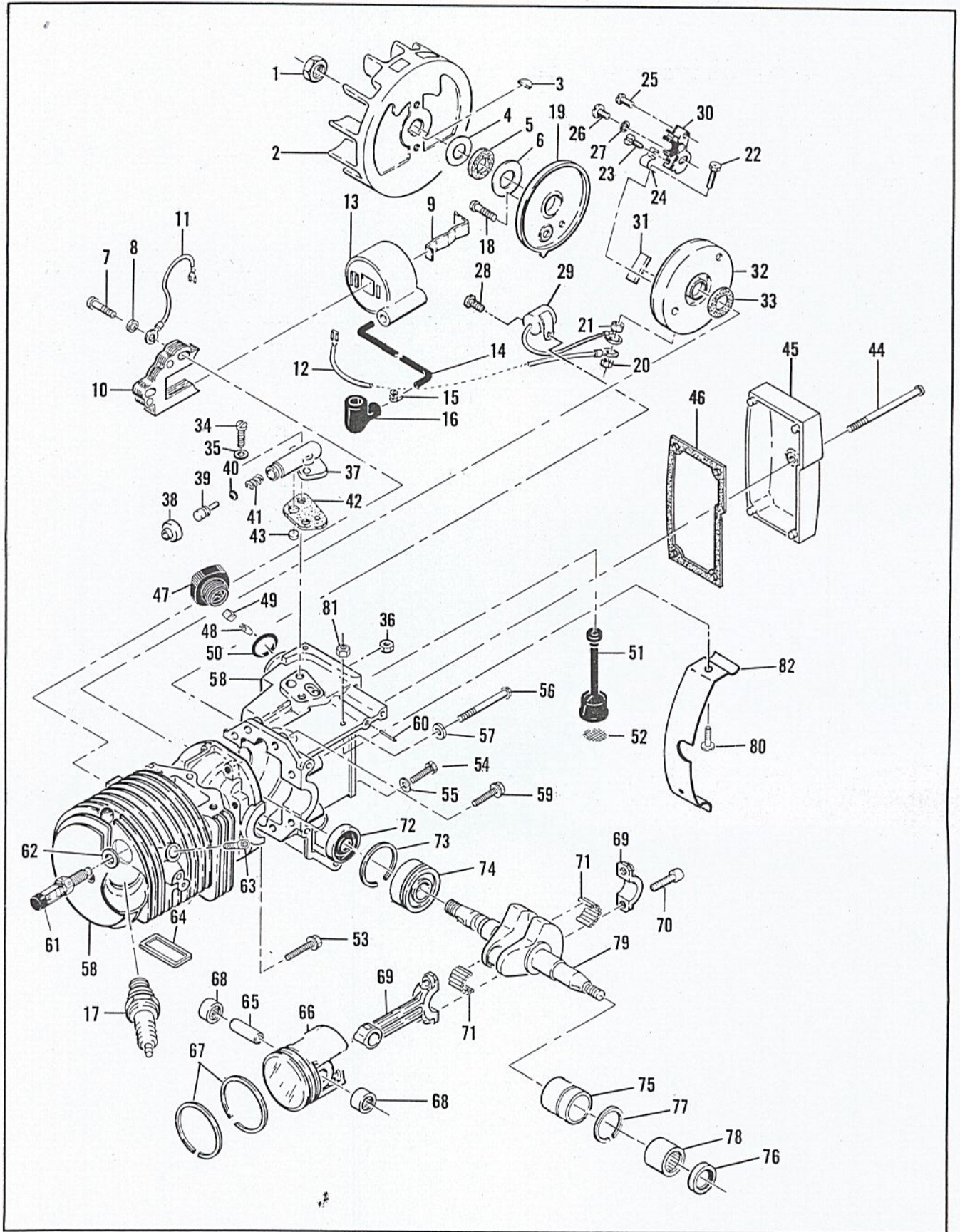


Figure 6. Powerhead Assembly

FIGURE 6. POWERHEAD ASSEMBLY

Item No.	Part Number	Description	Units Per Assy
1	110703	Nut - Hex 3/8-24	1
2	86068	Flywheel Assy	1
3	103879	Key - Woodruff	1
4	67057	Washer - Thrust	1
5	67056	Seal	1
6	67054	Washer - Thrust	1
7	110127	Screw - Hex hd 10-24 x 7/8	2
8	100003	Washer - #10	2
9	51253	Retainer - Coil	1
10	85138	Lamination Assy	1
11	62819	Wire Assy - Ground	1
12	69344	Wire Assy - Primary	1
13		Coil & Terminal Assy	1
14	50120	. Wire Assy - Spark plug	1
15	55061	. . Connector	1
16		. . Boot	1
17	63432	Spark Plug	1
18	110584	Screw - Rd 8-32 x 3/4	1
19	62362	Cover - Breaker box	1
20	100298	Nut - Hex 6-32	1
21	62365	Spacer - Breaker screw	1
22	110346	Screw - Hex hd 6-32 x 3/4	1
23	110489	Screw - Pan hd 6-32 x 7/16 s/t	1
24	83126	Strap - Conductor	1
25	110811	Screw - Rd hd 8-32 x 3/8	1
26	110445	Screw - Tr hd 8-32 x 3/8	1
27	105976	Washer - #8	1
28	110544	Screw - Pan hd 8-32 x 3/8	1
29	85358	Condenser	1
30	66231	Breaker Assy	1
31	54184	Wiper - Cam	1
32	84329	Box - Breaker	1
33	67051	Seal - Box	1
34	110623	Screw - Fil hd 8-32 x 1/2	2
35	105976	Washer - #8	2
36	100955	Nut - Hex 8-32	1
37	84156	Housing - Pump	1
38	62262	Cap - Housing	1
39	62266	Plunger - Pump	1
40	101056	"O" Ring	1
41	66687	Spring - Plunger	1

Item No.	Part Number	Description	Units Per Assy
42	62230	Gasket - Pump	1
43	62909	Valve - Pump	1
44	110407	Screw - Pan hd 10-24 x 3-1/2	1
45	63974	Cover - Oil tank	1
46	63442	Gasket - Cover	1
47	68809	Cap - Oil tank	1
48	110737	. Clip - Plug	1
49	84953	. Plug - Cap	1
50	101148	"O" Ring	1
51	62123B	Hose Assy - Oil	1
52	51506	. Screen - Hose	1
53	110404	Screw Assy - Hex hd 8-32 x 7/8	1
54	63607	Screw Assy - Sealing	1
55	63606	. Washer - Sealing	1
56	62105	Screw Assy - Sealing	4
57	62842	. Washer - Sealing	4
58	85871	Crankcase Assy	1
59	110288	. Screw Assy - Hex hd 8-32 x 3/4	2
60	105826	. Pin - Roll	1
61	84785	. Valve - DSP	1
62	85505	. Washer - Valve	1
63	110681	. Screw - Skt hd 10-24 x 4-1/2	1
64	84007	. Gasket - Muffler	1
65	69020	Pin - Piston	1
66	85239	Piston Assy	1
67	85241	. Ring Set - Piston	1
68	110590	. Bearing - Needle	2
69	85352	Connecting Rod Assy	1
70	61627A	. Screw - Skt hd special	2
71	84455	. Roller - Needle (set of 20)	1
72	61618	Seal - Oil	1
73	63464	Ring - Snap	1
74	63429B	Bearing - Ball	1
75	63492	Insert & Bearing Assy	1
76	110260	. Seal - Oil	1
77	63699	. Ring - Insert	1
78	104357	. Bearing - Needle	1
79	84654	Crankshaft	1
80	110813	Screw - Pan hd 10-24 x 5/16	2
81	101191	Nut - Hex 10-24	2
82	65363	Guard - Crankcase	1