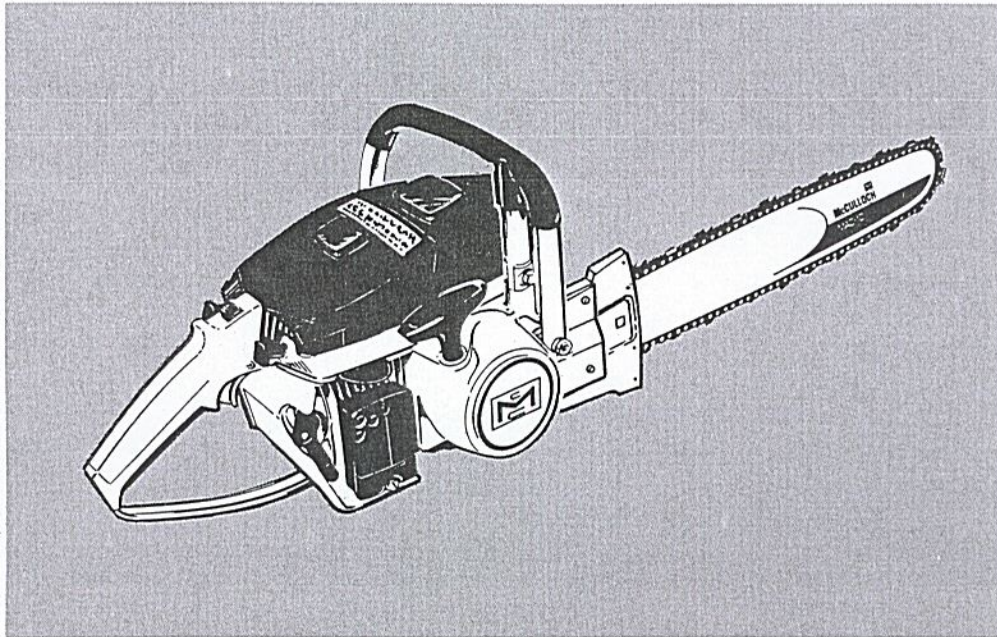


# G-70 Chain Saw

Model Number 600410

Serial Numbers Prefixed 13-  
A10-

## ILLUSTRATED PARTS LIST



**MAY 1970**

Page

The policy of McCulloch Corporation is one of continual improvement in design, manufacturing and engineering advancement wherever possible to assure still finer two-cycle power tools. Hence, specifications, equipment, colors, design and manufacturer's suggested list prices are subject to change without notice and McCulloch Corporation reserves the right to make such changes without prior notification or obligation to backfit or supply backfit components for units previously shipped from the factory.

Figure 1. Engine Exploded View - General	2
Figure 2. Clutch & Starter Assembly	4
Figure 3. Fuel Tank Assembly	4
Figure 4. Carburetor Assembly	6
Figure 5. Transmission Assembly	8
Figure 6. Powerhead Assembly	10



# McCULLOCH



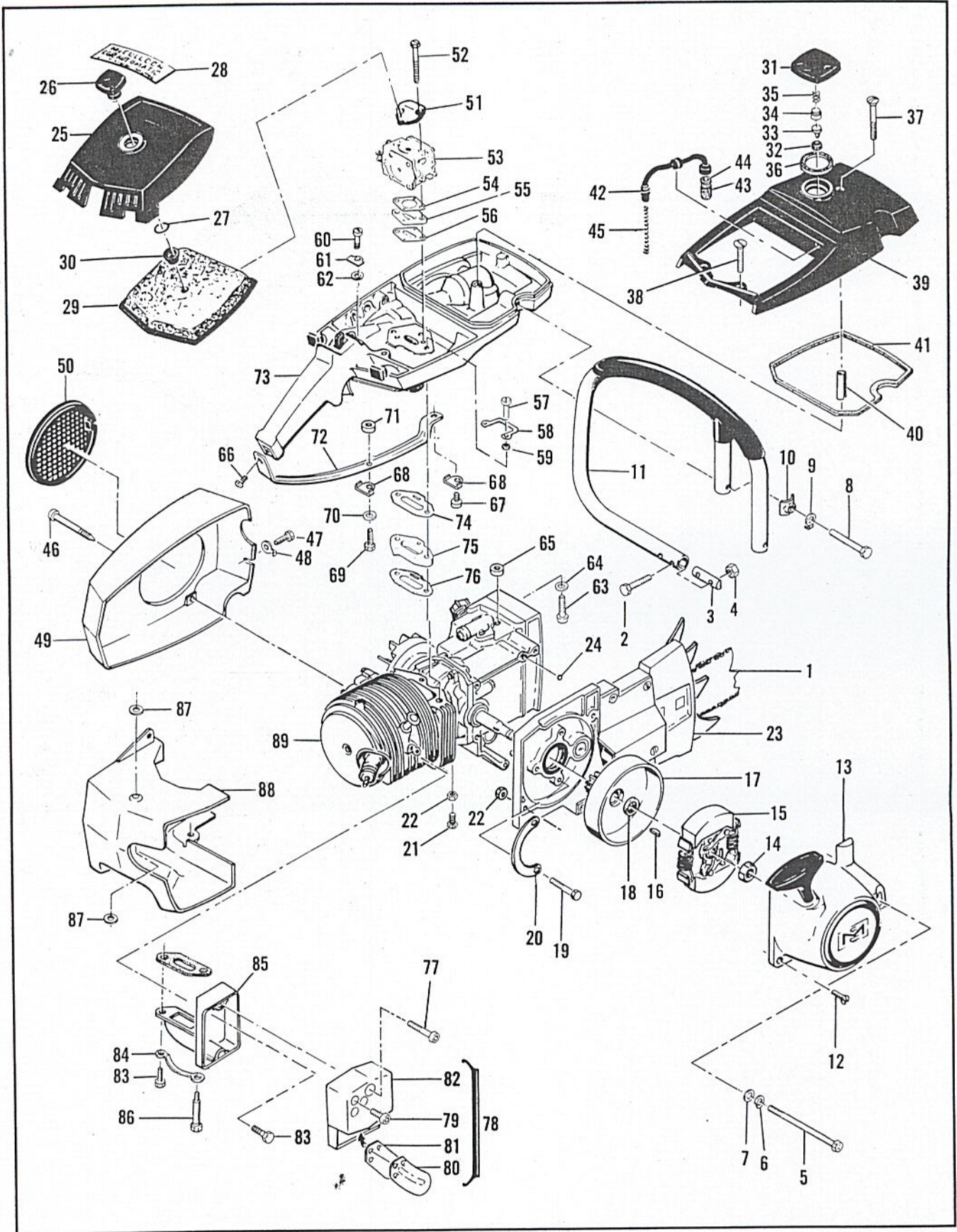


Figure 1. General



FIGURE 1. GENERAL

Item No.	Part Number	Description	Units Per Assy
1		Bar & Chain Assy (see Figure 5)	
2	102761	Screw - Hex hd 10-24 x 7/8	2
3	61678	Plug - nut retainer	1
4	101326	Nut - Hex 10-24	2
5	110669	Screw - Hex hd 10-24 x 3-5/8	1
6	103174	Lockwasher - #10	1
7	100003	Washer - #10	1
8	102130	Screw - Hex hd 1/4-20 x 1/2	1
9	69947	Lockplate	1
10	63484	Clamp - Frame	1
11	67479	Frame & Grip Assy	1
12	110622	Screw - Oval hd 10-24 x 7/8	1
13		Starter Housing Assy (see Figure 2)	
14	110594	Nut - Hex 3/8-24	1
15		Clutch Assy (see Figure 2)	
16	103879	Key - Woodruff	1
17	63493	Drum, Gear & Seal Assy	1
18	63476	. Seal	1
19	104243	Screw - Hex hd 1/4-20 x 1-3/4	2
20	68509	Lockplate	1
21	103469	Screw - Hex hd 10-24 x 3/8	1
22	105367	Nut - Hex 10-24	2
23		Transmission Assy (see Figure 5)	
24	106104	"O" Ring	1
25	68530	Cover Assy - Air Cleaner	1
26	68529	. Knob - Cover	1
27	110565	. Ring - Retaining	1
28	84333	Nameplate	1
29	83230	Filter Assy - Air	1
30	68528	. Grommet	1
31	68531	Fuel Cap Assy	1
32	68533	. Plug	1
33	63041	. Valve	1
34	62316	. Guide	1
35	63040	. Spring	1
36	69767	. Gasket	1
37	110402	Screw - Oval hd 12-24 x 2-3/8	1
38	103579	Screw - Fl hd 10-24 x 1	2
39	69679	Cover - Fuel Tank	1
40	69686	Spacer - Cover	1
41	69345	Gasket - Cover	1
42	64848	Hose Assy - Fuel	1
43	63932	. Filter - Fuel	1
44	100440	. Washer	1
45	67944	Spring - Hose	1
46	62978	Screw - Special	3

Item No.	Part Number	Description	Units Per Assy
47	102762	Screw - Hex hd 10-24 x 1/2	1
48	69890	Lockplate	1
49	83521	Kit - Fan Housing	1
50	55615	. Guard - Flywheel	1
51	83204	Bracket Assy	1
52	103357	. Screw - Hex hd 10-24 x 2-1/4	2
53		Carburetor Assy (see Figure 4)	
54	83059	Gasket - Carburetor	1
55	84078	Spacer - Carburetor	1
56	84081	Gasket - Spacer	1
57	110567	Screw - Hex hd 12-24 1-1/4	2
58	68582	Lockplate	1
59	102115	Washer - #12	2
60	110568	Screw - Hex hd 12-24 x 1-1/8	1
61	69516	Lockplate	1
62	64856	Washer - Special	1
63	102660	Screw - Skt hd 10-24 x 7/8	1
64	100003	Washer - #10	1
65	69772	Spacer - Fuel Tank	1
66	106078	Screw - Pan hd 10-24 x 7/16 (SEMS)	1
67	110566	Screw - Hex hd 12-24 x 5/8	1
68	68508	Lockplate	2
69	102761	Screw - Hex hd 10-24 x 7/8	1
70	110264	Washer - #10	1
71	69830	Spacer - Handle brace	1
72	69838	Brace - Handle	1
73		Fuel Tank Assy (see Figure 3)	
74	84082	Gasket - Fuel Tank	1
75	84080	Insulator - Fuel Tank	1
76	68594	Gasket - Insulator	1
77	104560	Screw - Skt hd 10-24 x 1-1/2	2
78	65532	Cover and Valve Assy	1
79	110472	. Screw - Skt hd 8-32 x 5/16	3
80	83069	. Stop - Reed valve	1
81	64785	. Valve - Reed	1
82	65419	. Cover Assy	1
83	110529	Screw - Hex hd 10-24 x 1/2	2
84	67922	Lockplate	1
85	83106	Body & Duct Assy	1
86	68187	. Screw Hex hd special	1
87	68581	Insulator - Shroud	2
88	67910	Shroud	1
89		Powerhead Assy (see Figure 6)	



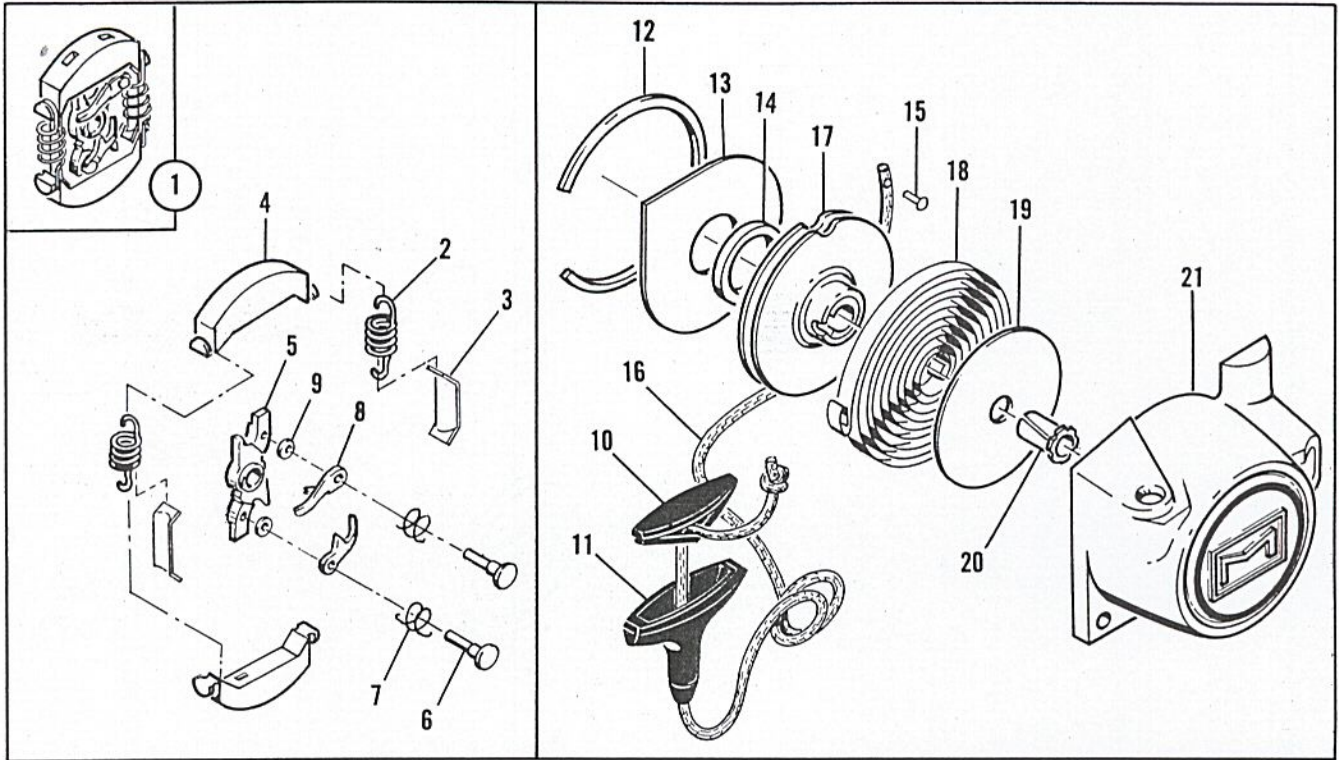


Figure 2. Clutch and Starter Assembly

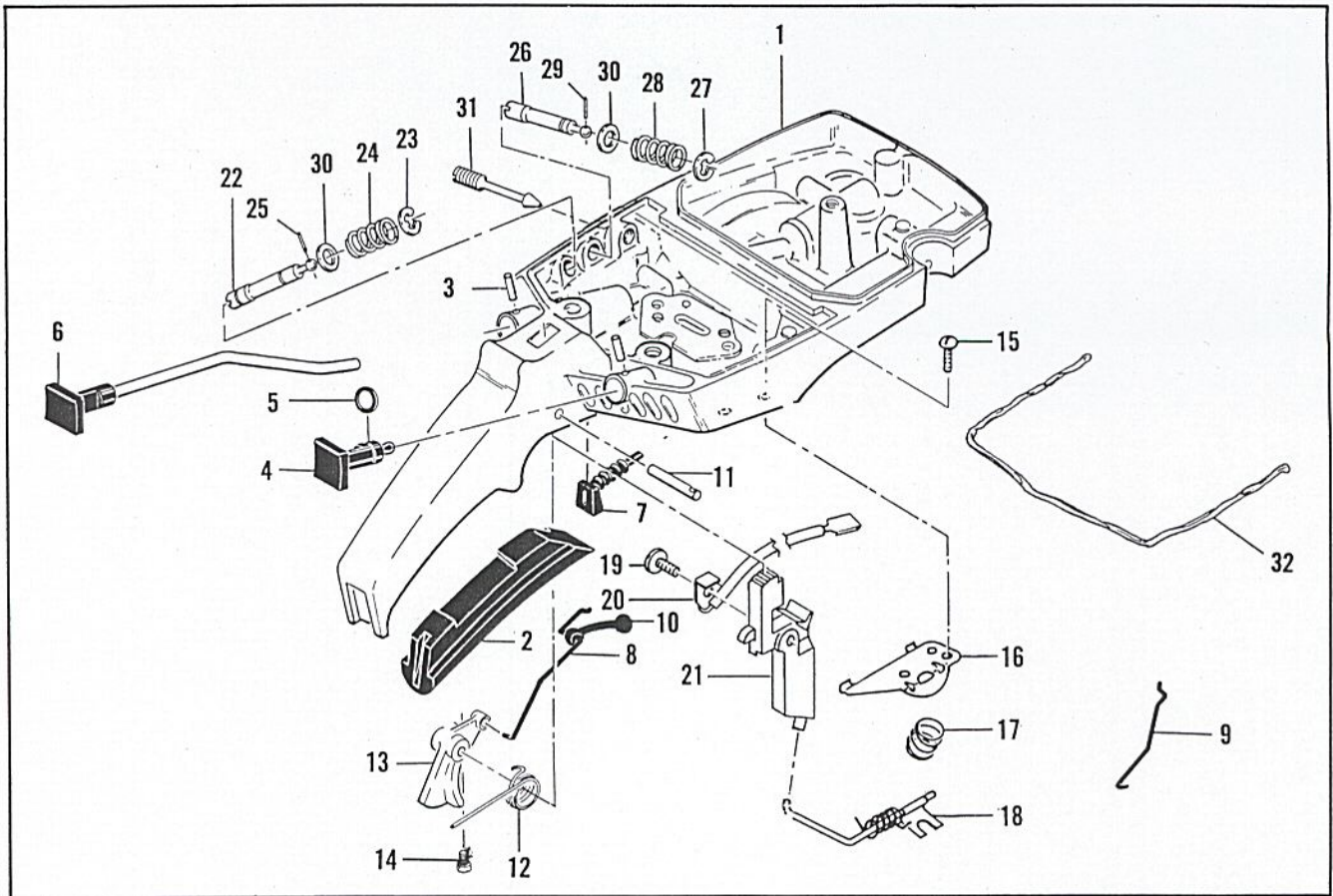


Figure 3. Fuel Tank Assembly

FIGURE 2. CLUTCH AND STARTER ASSEMBLY

Item No.	Part Number	Description	Units Per Assy
1	83656	Clutch Assy	1
2	66384	. Spring - Clutch	2
3	64583	. Retainer - Spring	2
4	67233	. Shoe - Clutch	2
5	83671	. Rotor Assy - Clutch	1
6	83653	. . Rivet	2
7	83654	. . Spring - Pawl	2
8	24093	. . Pawl - Starter	2
9	65473	. . Washer - Special	2
	83694	Starter Housing Assy	1
10	62191A	. Insert - Handle	1

Item No.	Part Number	Description	Units Per Assy
11	62190A	. Handle - Starter	1
12	67205	. Retainer - Shield	1
13	63985	. Shield - Dust	1
14	63986	. Washer - Thrust	1
15	110470	. Rivet - Rope	1
16	69964	. Rope - Starter	1
17	83651	. Drum - Starter	1
18	83334	. Spring - Rewind	1
19	63987	. Shield - Spring	1
20	61635A	. Bushing - Nyliner	1
21	84343	. Housing - Starter	1

FIGURE 3. FUEL TANK ASSEMBLY

Item No.	Part Number	Description	Units Per Assy
1	84183	Fuel Tank Assy	1
2	64872	Grip - Handle	1
3	105673	Pin - Roll 3/32 x 9/16	2
4	69041	Button - Choke	1
5	101056	"O" Ring	1
6	64871	Button & Rod Assy	1
7	68522	Seal - Throttle Rod	1
8	68170	Rod - Throttle	1
9	69042	Rod - Choke	1
10	69043	Snubber - Rod	1
11	110378	Pin - Roll 3/16 x 15/16	1
12	65734	Spring - Throttle Return	1
13	67224	Trigger	1
14	110537	Screw - Trigger Adjustment	1
15	105249	Screw - Rd hd 8-32 x 3/8	2
16	64721	Bracket - Lever Assy	1

Item No.	Part Number	Description	Units Per Assy
17	69687	Spring - Valve	1
18	69811	Lever Assy - DSP	1
19	110385	Screw - Pan hd 8-32 x 3/8	1
20	65873	Wire Assy - Stop Switch	1
21	67209	Button - Control	1
22	68102	Extension Assy - High Speed	1
23	110512	. Ring - Retaining	1
24	67363	. Spring	1
25	110509	. Pin - Groove	1
26	68101	Extension Assy - Idle	1
27	110512	. Ring - Retaining	1
28	67363	. Spring	1
29	110509	. Pin - Groove	1
30	67292	Washer	2
31	67271	Screw - Idle Adjustment	1
32	*69564	Seal - Airbox	AR

\*One strip of seal 12-1/2 inches long, containing nine beads, enough for nine replacements.





FIGURE 4. CARBURETOR ASSEMBLY

Item No.	Part Number	Description	Units Per Assy
	69948	Carburetor Assy	1
1	52933	. Screw - Pump cover	4
2	66628	. Cover - Pump	1
3	66629	. Gasket - Cover	1
4	66630	. Diaphragm - Fuel pump	1
5	48780	. Screw - Clip retainer	1
6	66646	. Clip - Throttle shaft	1
7	48780	. Screw - Plate	1
8	51720	. Plate - Throttle	1
9	83546	. Shaft Assy - Throttle	1
10	67136	. Spring - Throttle return	1
11	65856	. Plate - Choke	1
12	83725	. Shaft Assy - Choke	1
13	100071	. Ball - Choke friction	1
14	52930	. Spring - Choke friction	1
15	83477	. Needle - High speed	1
16	52936	. Spring - High speed needle	1

Item No.	Part Number	Description	Units Per Assy
17	83547	. Needle - Idle	1
18	67133	. Spring - Idle needle	1
19	83549	. Valve Assy - Governor	1
20	83548	. Gasket - Valve	1
21	51721	. Screw - Diaphragm cover	4
22	83724	. Cover - Diaphragm	1
23	66632	. Diaphragm - Metering	1
24	66633	. Gasket - Diaphragm	1
25	83479	. Screw - Lever pin	1
26	66636	. Pin - Lever	1
27	66638	. Lever - Metering	1
28	66404	. Spring - Lever	1
29	66637	. Valve - Needle	1
30	66623	. Screen - Fuel inlet	1
31	83729	. Check Valve - Nozzle	1
32	66622	. Plug - Welch	1

SERVICE SPECIFICATIONS

Spark Plug Gap -----	0.025 in.
Lamination Gap -----	0.010 to 0.015 in.
Breaker Point Gap -----	0.018 in.
Carburetor Adjustment	
Idle Needle - Preliminary adjustment	1 turn open.
	Adjust for smooth idle and acceleration.
Main Needle - Preliminary adjustment	1 turn open.
	Adjust for maximum power under load.
Torque Values	
Flywheel Nut -----	240 to 300 inch-pounds.
Clutch Nut -----	160 to 170 inch-pounds.
Connecting Rod Screws -----	65 to 70 inch-pounds.



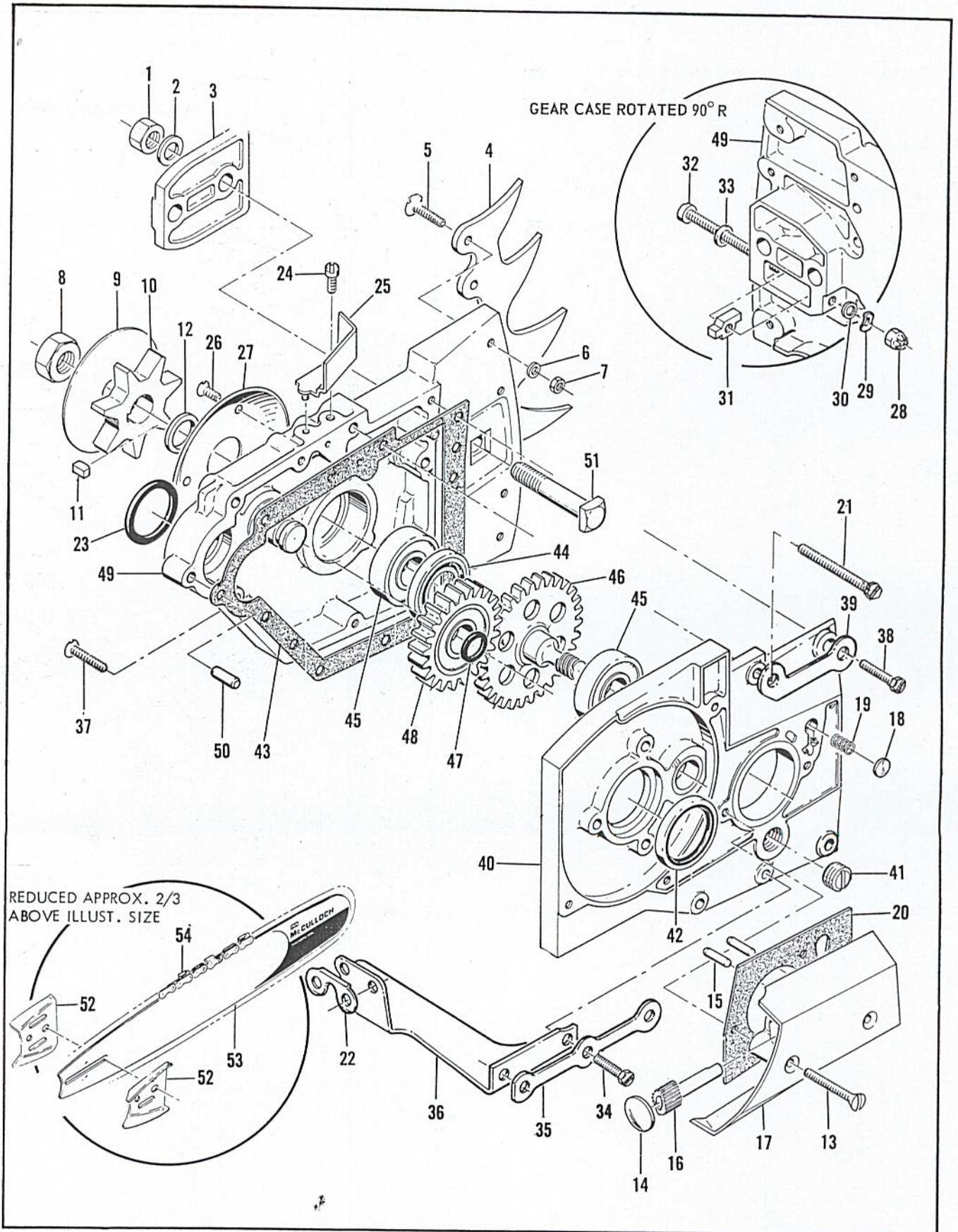


Figure 5. Transmission Assembly



FIGURE 5. TRANSMISSION ASSEMBLY

Item No.	Part Number	Description	Units Per Assy
1	110625	Nut - Hex 3/8-24	2
2	100006	Washer - 3/8	2
3	63417	Plate - Bar clamp	1
4	63994	Kit - Spike	1
5	110245	. Screw - Fl hd 10-24 x 3/4	4
6	110264	. Washer - #10	4
7	101191	. Nut - Hex 10-24	4
8	60972	Nut - Hex 7/16-20	1
9	63997A	Plate - Sprocket	1
10	56442	Sprocket	1
11	63808	Key - Sprocket	1
12	64754	Spacer - Sprocket	1
13	110406	Screw - Oval hd 8-32 x 1-1/4	2
	65882	Pump Assy - Oil	1
14	105559	. Plug - Welch	1
15	110392	. Pin - Plunger	2
16	63428	. Plunger - Pump	1
17	65881	. Body - Pump	1
18	62909	Valve - Oiler	1
19	63692	Spring - Valve	1
20	63474	Gasket - Pump	1
21	102765	Screw - Hex hd 10-24 x 1-3/4	2
22	83455	Lockplate	1
	68487	Transmission Assy (3:1)	1
23	104360	. "O" Ring	1
24	110055	. Screw - Fil hd 8-32 x 3/8 (SEMS)	1
25	63491	. Filler	1
26	110417	. Screw - Fl hd 6-32 x 3/8	3

Item No.	Part Number	Description	Units Per Assy
27	63416	. Plate - Sprocket	1
28	102067	. Nut - Hex 10-24	1
29	110387	. Washer - Wave	1
30	100003	. Washer - #10	1
31	63824A	. Nut - Bar Adjustment	1
32	110548	. Screw - Bar adjustment	1
33	110264	. Washer	1
34	102290	. Screw - Hex hd 10-24 x 1-1/8	1
35	83457	Lockplate	1
36	67066	. Brace - Gearcase	1
37	110405	. Screw - Oval hd 8-32 x 7/8	3
38	102760	. Screw - Hex hd 10-24 x 1	2
39	83456	Lockplate	1
40	68490	. Cover Assy - Gearcase (3:1)	1
41	100432	. . Plug - Filler	1
42	63477	. . Seal - Pinion gear	1
43	68576	. Gasket - Cover	1
44	63478	. Seal - Gearcase	1
45	110348	. Bearing - Sprocket shaft	2
46	64775	. Gear - Sprocket	1
47	110452	. "O" Ring	1
48	66616	. Gear Assy - Idler	1
49	68488	. Gearcase (3:1)	1
50	101770	. . Pin - Dowel	2
51	64584	. . Bolt - Bar	2
52	64935	Plate - Bar protector	2
53		Bar	1
54		Chain Assy	1

## ACCESSORIES

Item No.	Part Number	Description	Units Per Assy
	69031	Piston Assy - 0.020 in. oversize	
	63291	. Ring Set - Piston 0.020 in. oversize	
	110590	. Bearing - Needle (2)	
	69032	Piston Assy - 0.030 in. oversize	
	63292	. Ring Set - Piston 0.030 in. oversize	

Item No.	Part Number	Description	Units Per Assy
	110590	. Bearing - Needle (2)	
	68585	Transmission (2:1)	
	84453	Kit - Piston tool	
	65325	Baffle - Spark arrester	
	63097	Spark plug - AC CS 45T	
	65778	Spark plug - AC CS 41T	
	65712	Guide - Timing	
	83434	Manual - Owner's	
	61040	Wrench - Screwdriver	



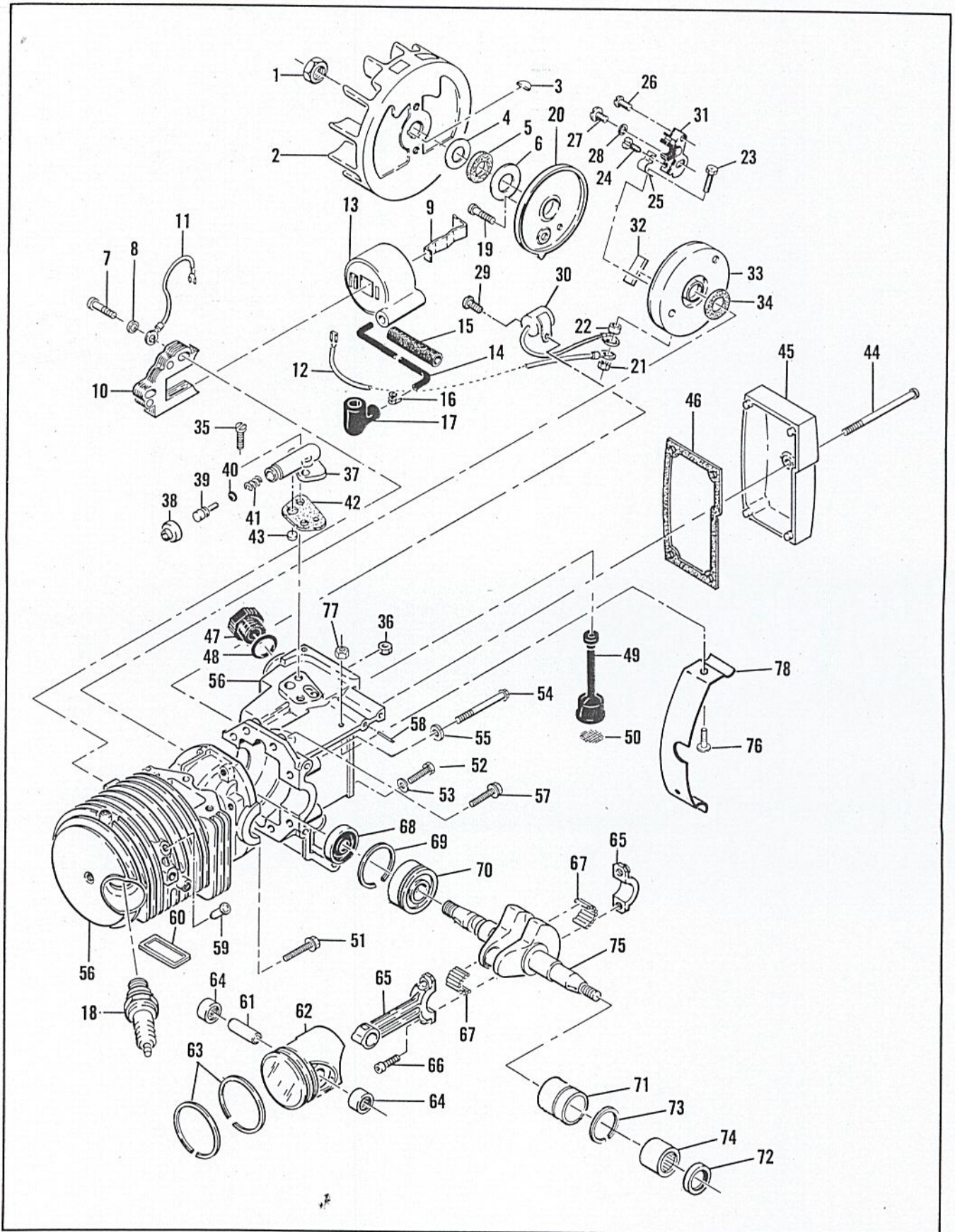


Figure 6. Powerhead Assembly



FIGURE 6. POWERHEAD ASSEMBLY

Item No.	Part Number	Description	Units Per Assy
1	110594	Nut - Hex 3/8-24	1
2	67845	Flywheel Assy	1
3	103879	Key - Woodruff	1
4	67057	Washer - Thrust	1
5	67056	Seal	1
6	67054	Washer - Thrust	1
7	110127	Screw - Hex hd 10-24 x 7/8	2
8	100003	Washer - #10	2
9	51253	Retainer - Coil	1
10	68164	Lamination Assy	1
11	62819	Wire Assy - Ground	1
12	69344	Wire Assy - Primary	1
13	69798	Coil & Terminal Assy	1
14	69966	. Wire Assy - Spark plug	1
15	67127	. . Sleeve	1
16	62932	. . Connector	1
17	62926	. . Boot	1
18	63432	Spark Plug	1
19	110349	Screw - Rd 8-32 x 3/4	1
20	62362	Cover - Breaker box	1
21	100298	Nut - Hex 6-32	1
22	62365	Spacer - Breaker screw	1
23	110346	Screw - Hex hd 6-32 x 3/4	1
24	110489	Screw - Pan hd 6-32 x 7/16 s/t	1
25	83126	Strap - Conductor	1
26	100934	Screw - Rd hd 8-32 x 3/8	1
27	110445	Screw - Tr hd 8-32 x 3/8	1
28	105976	Washer - #8	1
29	110544	Screw - Pan hd 8-32 x 3/8	1
30	61650	Condenser	1
31	66231	Breaker Assy	1
32	54184	Wiper - Cam	1
33	83125	Box - Breaker	1
34	67051	Seal - Box	1
35	110623	Screw - Fil hd 8-32 x 1/2	2
36	100955	Nut - Hex 8-32	1
37	62261A	Housing - Pump	1
38	62262	Cap - Housing	1
39	62266	Plunger - Pump	1

Item No.	Part Number	Description	Units Per Assy
40	101056	"O" Ring	1
41	66687	Spring - Plunger	1
42	62230	Gasket - Pump	1
43	62909	Valve - Pump	1
44	110407	Screw - Pan hd 10-24 x 3-1/2	1
45	63974	Cover - Oil tank	1
46	63442	Gasket - Cover	1
47	68809	Cap - Oil tank	1
48	101148	"O" Ring	1
49	62123B	Hose Assy - Oil	1
50	51506	. Screen - Hose	1
51	110404	Screw Assy - Hex hd 8-32 x 7/8	1
52	63607	Screw Assy - Sealing	1
53	63606	. Washer - Sealing	1
54	62105	Screw Assy - Sealing	4
55	62842	. Washer - Sealing	4
56	84337	Crankcase Assy	1
57	110288	. Screw Assy - Hex hd 8-32 x 3/4	2
58	105826	. Pin - Roll	1
59	84221	. Valve - DSP	1
60	84007	. Gasket - Muffler	1
61	69020	Pin - Piston	1
62	69030	Piston Assy	1
63	63290	. Ring Set - Piston	1
64	110590	. Bearing - Needle	2
65	83060	Connecting Rod Assy	1
66	61627A	. Screw - Skt hd special	2
67	84455	. Roller - Needle (set of 20)	1
68	61618	Seal - Oil	1
69	63464	Ring - Snap	1
70	63429B	Bearing - Ball	1
71	63492	Insert & Bearing Assy	1
72	110260	. Seal - Oil	1
73	63699	. Ring - Insert	1
74	104357	. Bearing - Needle	1
75	84654	Crankshaft	1
76	105221	Screw - Rd hd 10-24 x 5/16	2
77	101191	Nut - Hex 10-24	2
78	65363	Guard - Crankcase	1