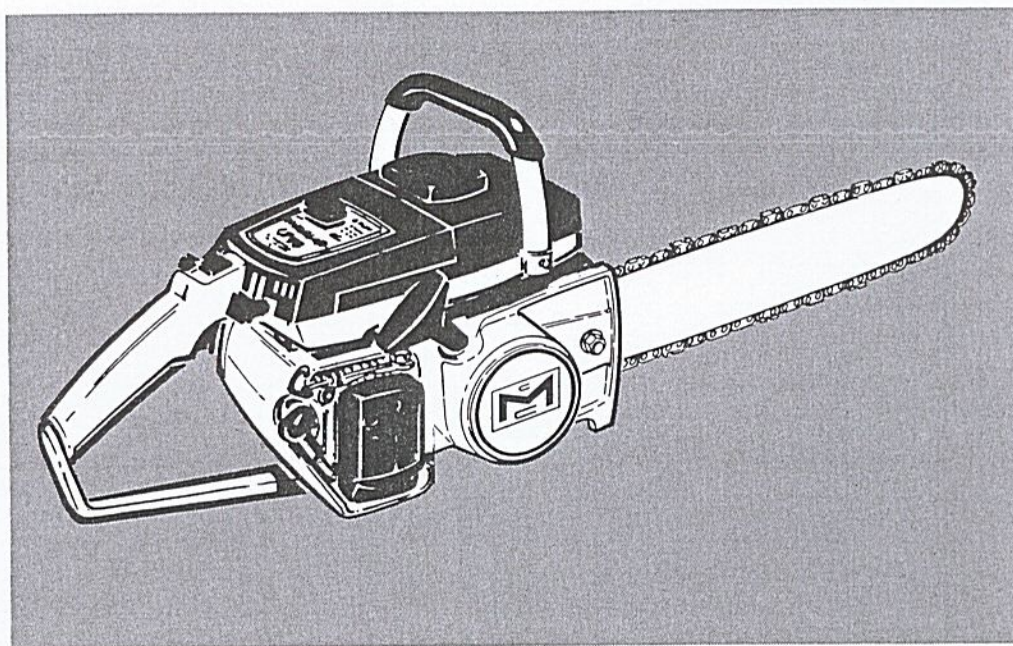


CP 70 CHAIN SAW

MODEL NO. 600440 SERIAL NOS. PREFIXED 12-

ILLUSTRATED PARTS LIST



SEPTEMBER, 1969

The policy of McCulloch Corporation is one of continual improvement in design, manufacturing and engineering advancement wherever possible to assure still finer two-cycle power tools. Hence, specifications, equipment, colors, design and manufacturer's suggested list prices are subject to change without notice and McCulloch Corporation reserves the right to make such changes without prior notification or obligation to backfit or supply backfit components for units previously shipped from the factory.

	Page
Figure 1. General	2
Figure 2. Clutch Guard & Starter Assembly	4
Figure 3. Fuel Tank Assembly	4
Figure 4. Carburetor Assembly	6
Figure 5. Flywheel & Ignition System	8
Figure 6. Powerhead & Oiler Assemblies	10



McCULLOCH

CP 70

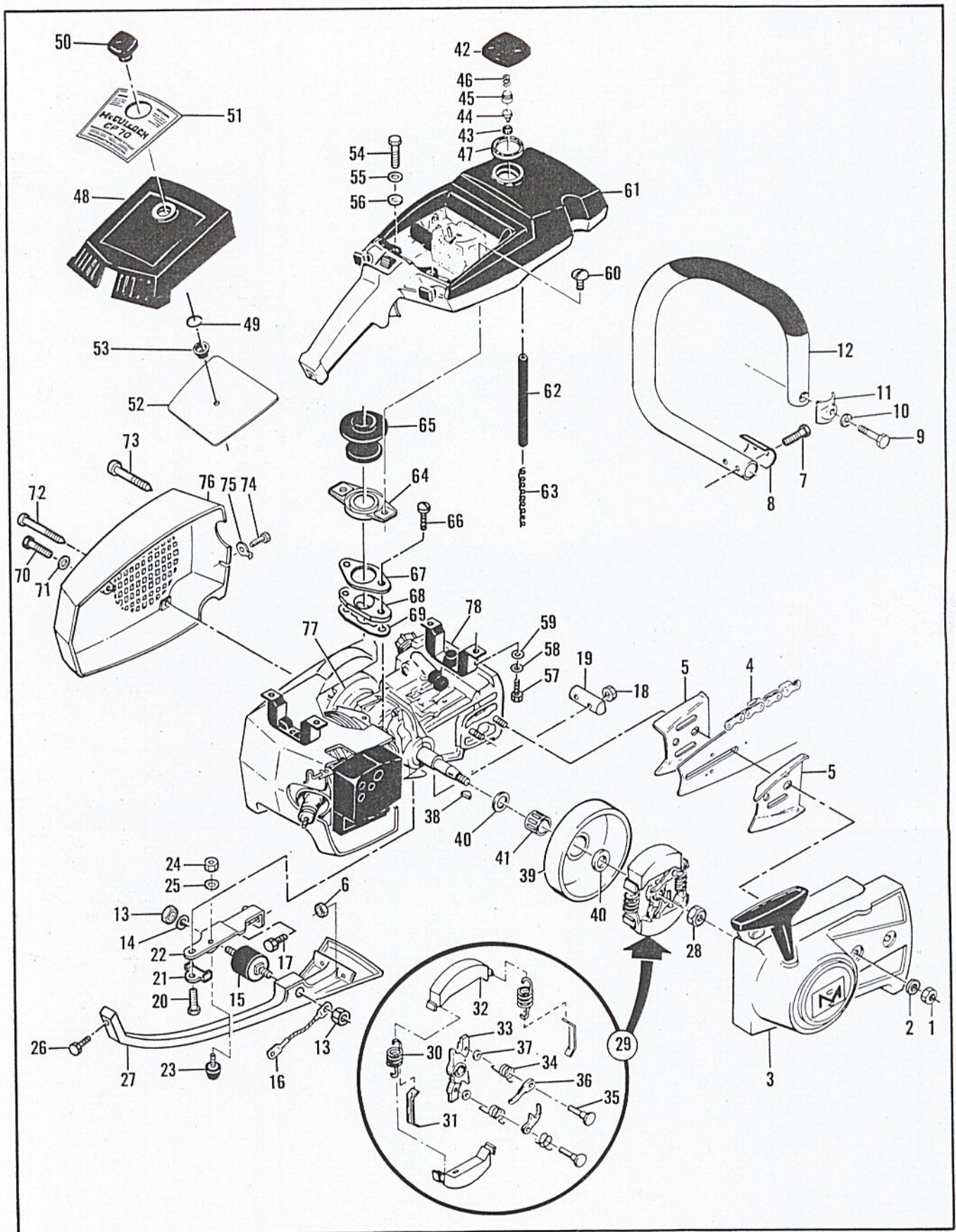


FIGURE I. GENERAL

Item No.	Part Number	Description	Units Per Assy
1	110454	Nut - Hex 5/16-24	2
2	100440	Washer - 5/16	2
3		Clutch Guard & Starter Assy (See Figure 2)	
4		Bar & Chain Assy	1
5	64325	Plate - Bar protector	2
6	101326	Nut - Hex 10-24	2
7	110552	Screw - Hex hd 10-24 x 1-1/4	2
8	69645	Clamp - Frame	1
9	102130	Screw - Hex hd 1/4-20 x 1-1/2	1
10	100153	Lockwasher - 1/4	1
11	63484	Clamp - Frame	1
12	83056	Frame & Grip Assy	1
13	-103242	Nut - Hex 1/4-20	2
14	100005	Washer - 1/4	1
15	69589	Mount - Lower	1
16	-83828	Strap - Ground	1
17	102760	Screw - Hex hd 10-24 x 1	2
18	101326	Nut - Hex 10-24	2
19	69596	Plug - Nut retainer	1
20	110566	Screw - Hex hd 12-24 x 5/8	1
21	68508	Lockplate	1
22	83112	Bracket - Lower mount	1
23	83111	Bumper - Lower	1
24	105367	Nut - Hex 10-24	1
25	101194	Lockwasher	1
26	101977	Screw - Fil hd 1/4-20 x 3/4	1
27	83110	Brace - Frame	1
28	110594	Nut - Hex 3/8-24	1
29	-83656	Clutch Assy	1
30	-66384	. Spring - Clutch	2
31	64583	. Retainer - Spring	2
32	67233	. Shoe - Clutch	2
33	62204C	. Rotor Assy	1
34	-83654	. . Spring - Pawl	2
35	-83653	. . Rivet	2
36	-24093	. . Pawl - Starter	2
37	65473	. . Washer - Special	2
38	103879	Key - Woodruff	1
39	65370	Kit - Sprocket and Drum	1
40	61692	. Shim	2

Item No.	Part Number	Description	Units Per Assy
41	110330	Bearing - Sprocket	1
42	68531	Cap Assy - Fuel	1
43	68533	. Plug	1
44	63041	. Valve	1
45	62316	. Guide	1
46	63040	. Spring	1
47	69767	. Gasket	1
48	69840	Cover Assy - Air cleaner	1
49	110565	. Ring - Retaining	1
50	68529	. Knob - Cover	1
51	-83460	Nameplate	1
52	69845	Filter Assy - Air	1
53	68528	. Grommet	1
54	102861	Screw - Hex hd 1/4-20 x 5/8	2
55	100153	Lockwasher - #12	2
56	100005	Washer - #12	2
57	102388	Screw - Hex hd 10-24 x 5/8	2
58	101194	Lockwasher - #10	2
59	100002	Washer - #10	2
60	104071	Screw - Pan hd 8-32 x 5/16	2
61		Fuel Tank Assembly (See Figure 3)	
62	69598	Line - Pulse	1
63	67944	Spring - Pulse line	1
64	83122	Clamp Assy - Upper boot	1
65	69647	Boot - Port	1
66	104396	Screw - Pan hd 10-24 x 3/4	2
67	69759	Clamp - Boot	1
68	69646	Insulator - Inlet	1
69	69650	Gasket - Insulator	1
70	104534	Screw - Skt hd 10-24 x 1-3/8	1
71	24236	Washer - Special	1
72	62978	Screw - Special	1
73	69954	Screw - Special	1
74	102762	Screw - Hex hd 10-24 x 1/2	1
75	69890	Lockplate	1
76	69793	Fan Housing	1
77		Flywheel & Ignition System (See Figure 5)	
78		Powerhead & Oiler Assemblies (See Figure 6)	

1080469

Part numbers which have changed since the previous printing of the illustrated parts list covering these saws, are indicated by a dash (-) preceding the new part number.

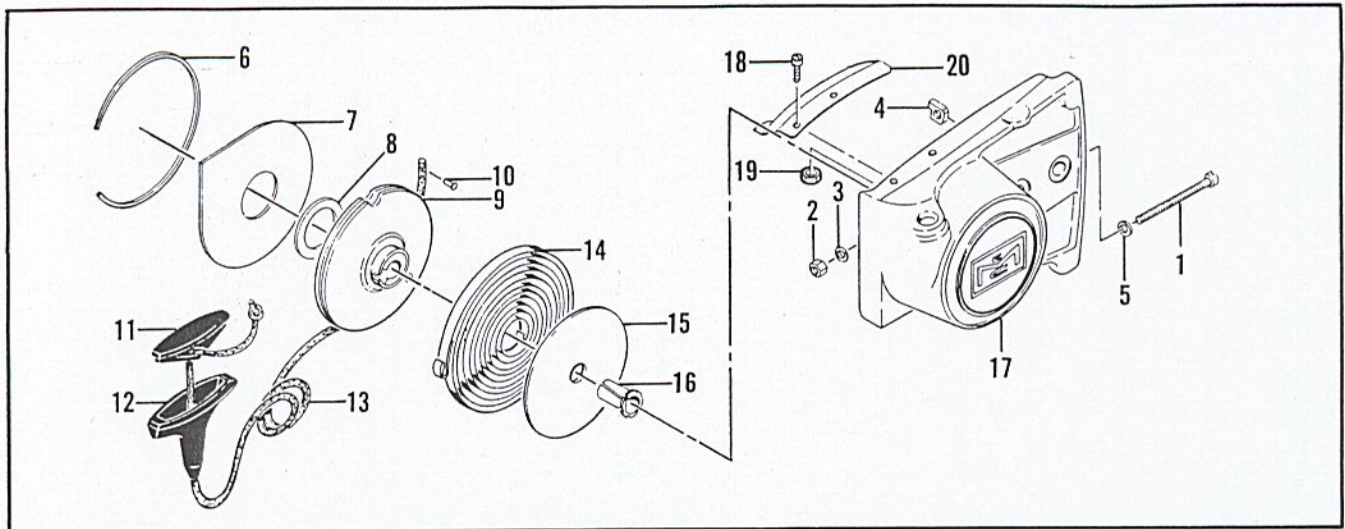


Figure 2. Clutch Guard and Starter Assembly

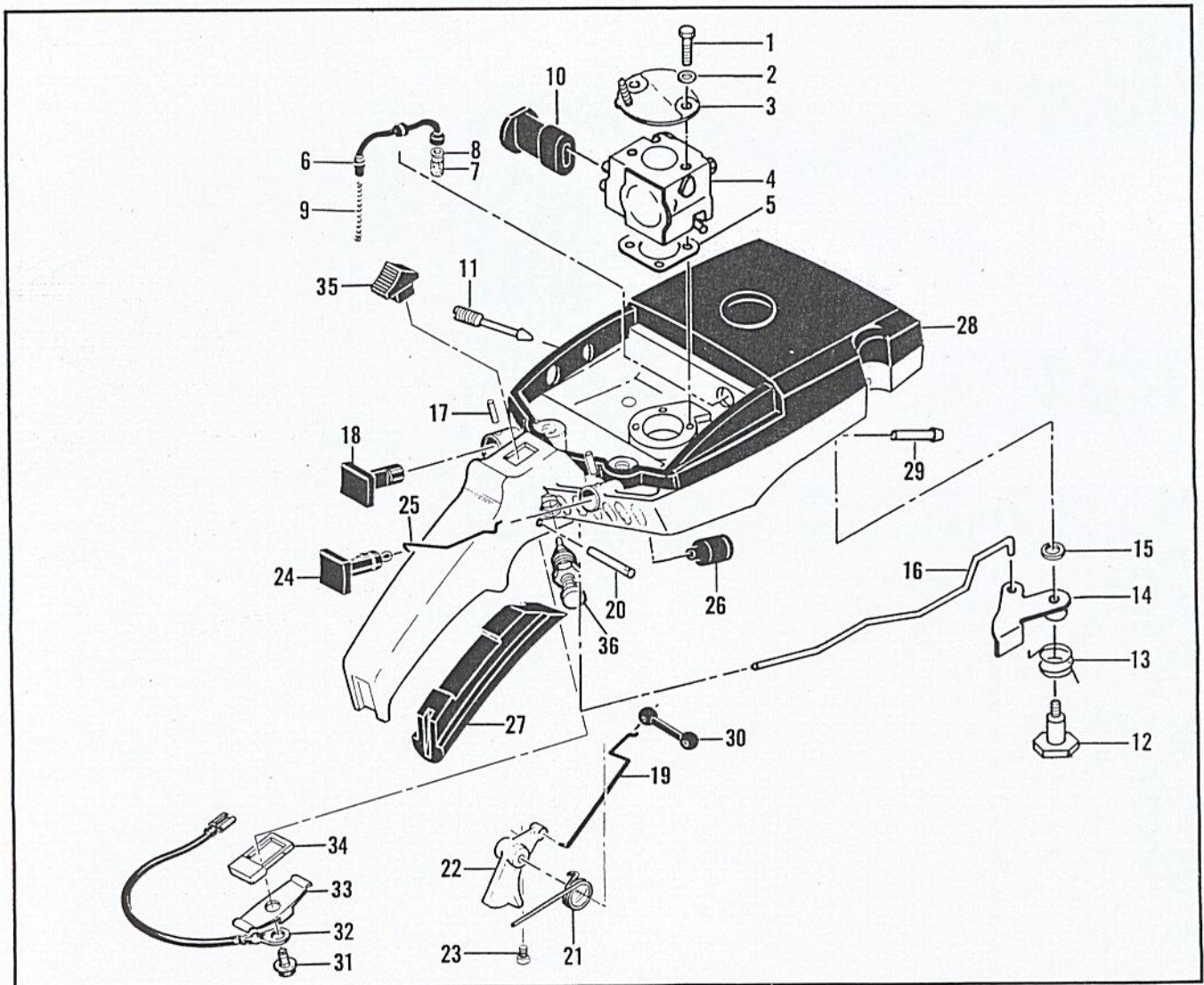


Figure 3. Fuel Tank Assembly

FIGURE 2. CLUTCH GUARD AND STARTER ASSEMBLY

Item No.	Part Number	Description	Units Per Assy
	-83850	Clutch Guard Assy	1
1	102144	. Screw - Bar adjusting	1
2	102067	. Nut - Hex 10-24	1
3	110387	. Washer - Wavey	1
4	61705	. Nut - Bar adjusting	1
5	110264	. Washer - 3/16	1
6	67205	. Retainer - Shield	1
7	63985	. Shield - Dust	1
8	63986	. Washer - Thrust	1
9	83651	. Drum - Starter	1
10	110470	. Rivet - Starter rope	1

Item No.	Part Number	Description	Units Per Assy
11	62191A	. Insert - Handle	1
12	62190A	. Handle - Starter	1
13	69964	. Rope - Starter	1
14	-83334	. Spring - Rewind	1
15	63987	. Shield - Spring	1
16	61635A	. Bushing - Nyliner	1
17	83569	. Guard - Clutch	1
18	110385	Screw - Pan hd 8-32 x 3/8	2
19	100955	Nut - Hex 8-32	2
20	83064	Guard - Sawdust	1

2080469

FIGURE 3. FUEL TANK ASSEMBLY

Item No.	Part Number	Description	Units Per Assy
1	110551	Screw - Hex hd 10-24 x 2-1/8	2
2	101194	Lockwasher - #10	2
3	83204	Bracket Assy	1
4		Carburetor Assy (See Figure 4)	1
5	83059	Gasket - Carburetor	1
6	64848	Hose Assy - Fuel	1
7	63932	. Filter - Fuel	1
8	100440	. Washer	1
9	67944	Spring - Hose stiffener	1
10	69629	Boot - Carburetor mix	1
11	67271	Screw - Idle speed adjustment	1
12	69594	Pivot - Oiler lever	1
13	69781	Spring - Oiler lever	1
14	69825	Lever Assy - Oiler	1
15	105048	Washer - 3/16	1
16	69802	Rod - Oiler	1
17	105673	Pin - Roll 3/32 x 9/16	2
18	63044	Button - Oiler	1

Item No.	Part Number	Description	Units Per Assy
19	69632	Rod - Throttle	1
20	110378	Pin - Roll 3/16 x 15/16	1
21	65734	Spring - Throttle return	1
22	67224	Trigger	1
23	110537	Screw - Fil hd 8-36 x 1/2	1
24	69630	Button - Choke	1
25	69631	Rod - Choke	1
26	69597	Boot - Control rod	2
27	64872	Grip - Handle	1
28	69807	Tank Assy - Fuel	1
29	69600	. Nipple - Pulse line	1
30	69043	Snubber - Throttle & Choke Rod	1
31	103672	Screw - Fil hd 8-32 x 1/2	1
32	83661	Wire Assy - Stop switch	1
33	62451	Contact - Switch	1
34	62950A	Base - Switch	1
35	62951	Button - Switch	1
36	83051	Lock Assy - Throttle	1

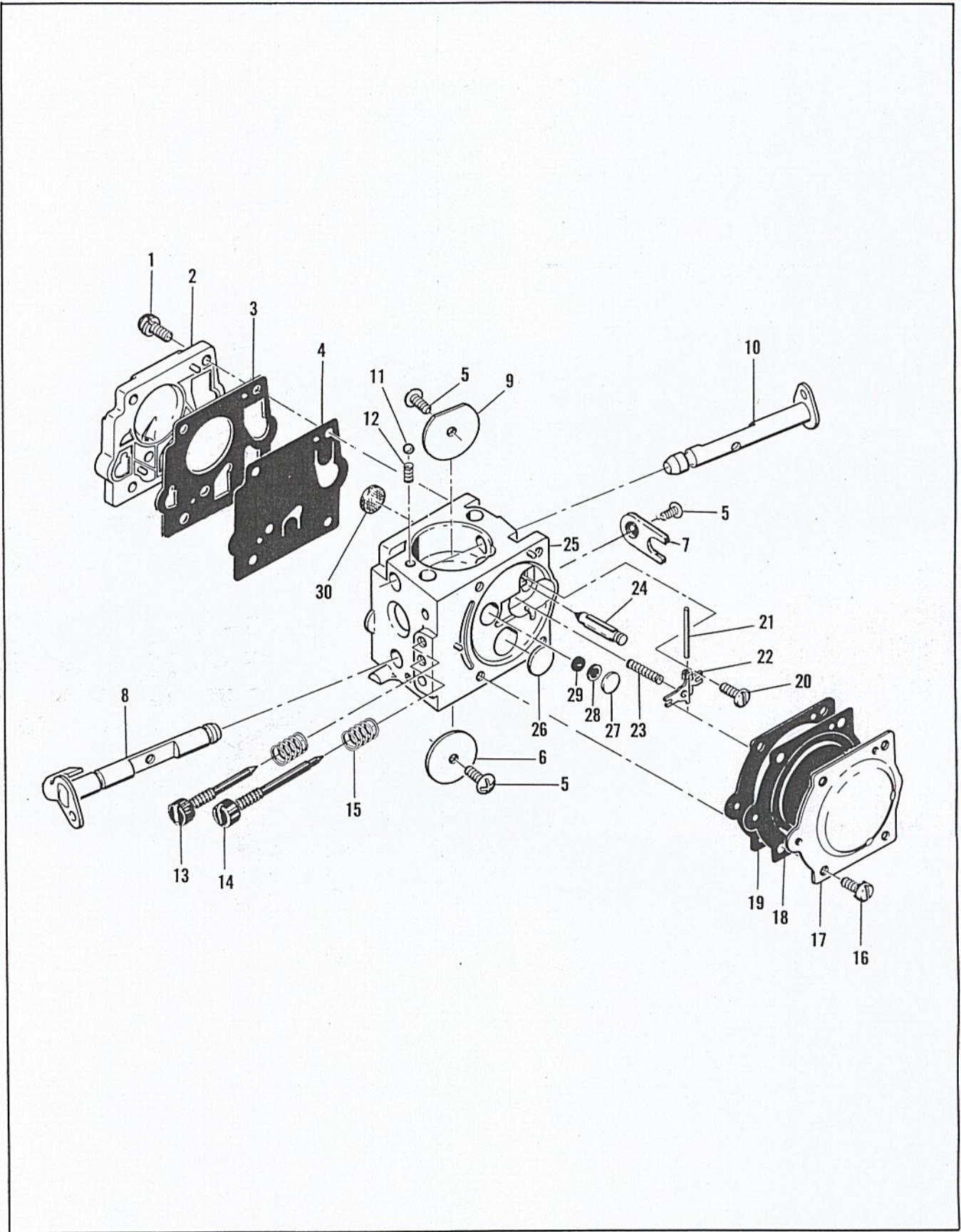


Figure 4. Carburetor Assembly

FIGURE 4. CARBURETOR ASSEMBLY

Item No.	Part Number	Description	Units Per Assy
	69942	Carburetor Assy	1
1	67501	. Screw - Pump cover	4
2	83760	. Cover - Pump	1
3	*67495	. Gasket - Cover	1
4	*83114	. Diaphragm - Fuel pump	1
5	*47690	. Screw - Plate	3
6	83762	. Plate - Throttle	1
7	67489	. Clip - Shaft	1
8	67486	. Shaft Assy - Throttle	1
9	67490	. Plate - Choke	1
10	67488	. Shaft Assy - Choke	1
11	*100302	. Ball - Choke friction	1
12	*67504	. Spring - Choke	1
13	*68104	. Needle - High speed	1
14	*68105	. Needle - Idle	1
15	*67502	. Spring - Needle	2
16	70798	. Screw - Diaphragm cover	4

Item No.	Part Number	Description	Units Per Assy
17	83761	. Cover - Diaphragm	1
18	*67499	. Diaphragm - Metering	1
19	*67496	. Gasket - Diaphragm	1
20	*67500	. Screw - Lever pin	1
21	*67508	. Pin - Lever	1
22	*67509	. Lever - Metering	1
23	*67503	. Spring - Lever	1
24	*67491	. Valve - Needle	1
25	83759	. Body Assy - Carburetor	1
26	*71690	. . Plug - 3/8	1
27	*69506	. . Plug - 5/16	1
28	69203	. . Seat Assy	1
29	69204	. . Valve	1
30	*67507	. . Screen - Fuel	1
	*67482	Gasket Set	
	83764	Repair Kit	

* Indicates parts included in Repair Kit, P/N 83764

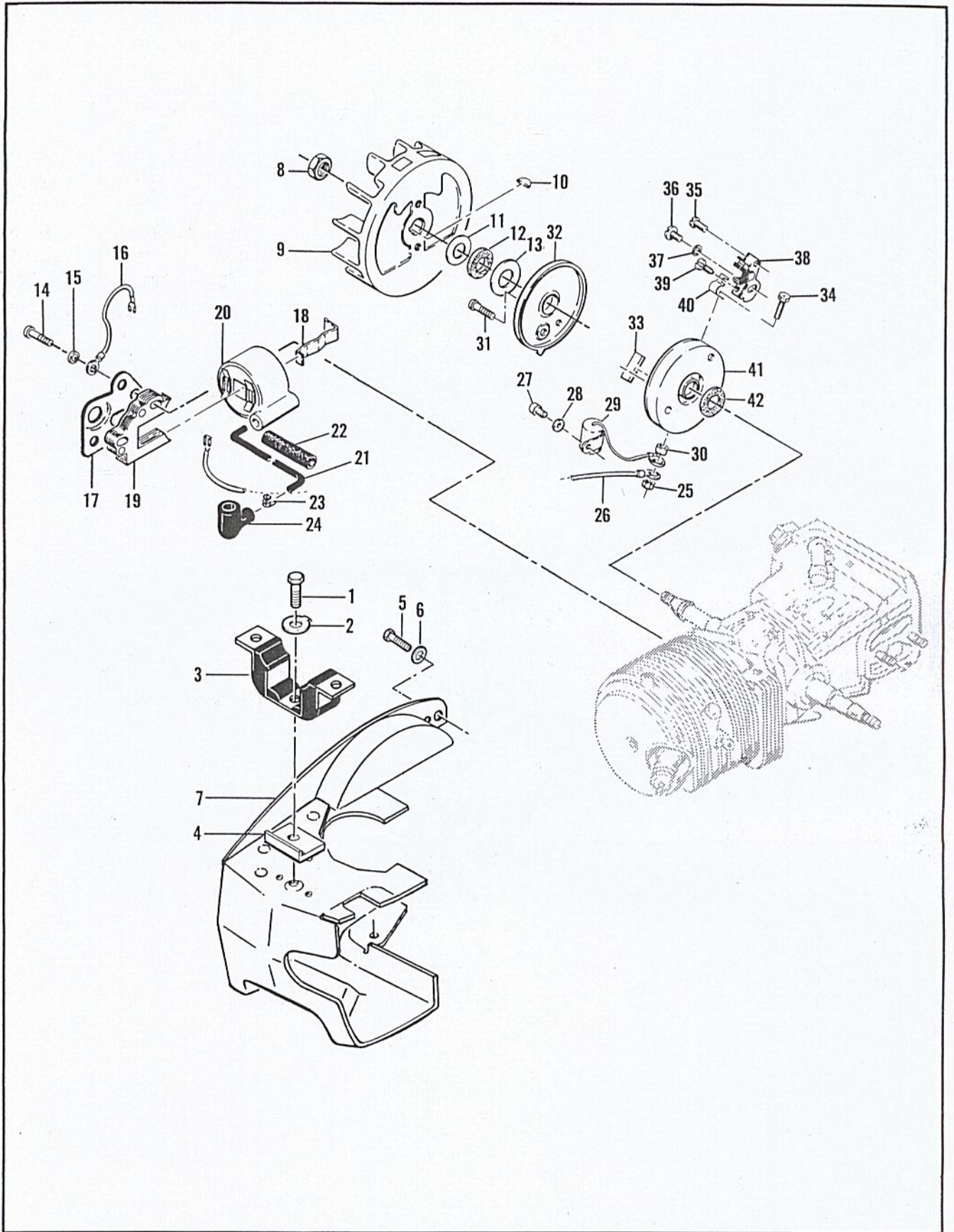


Figure 5. Flywheel and Ignition System

FIGURE 5. FLYWHEEL AND IGNITION SYSTEM

Item No.	Part Number	Description	Units Per Assy
1	69955	Screw - Hex hd 12-24 x 5/8	1
2	69924	Lockplate	1
3	69588	Mount - Rear	1
4	83693	Adapter - Rear mount	1
5	102219	Screw - Fil hd 8-32 x 1/4	1
6	100057	Lockwasher - #8	1
7	69841	Shroud Assy	1
8	110594	Nut - Hex 3/8-24	1
9	67845	Flywheel Assy	1
10	103879	Key - Woodruff	1
11	67057	Washer - Thrust	1
12	67056	Seal	1
13	67054	Washer - Thrust	1
14	103947	Screw - Hex hd 10-24 x 1 (SEMS)	2
15	100003	Washer - #10	1
16	62819	Wire Assy - Ground	1
17	69628	Bracket - Mounting	1
18	51253	Retainer - Coil	1
19	68164	Lamination Assy	1
20	69798	Coil and Terminal Assy	1
21	69966	. Wire and Sleeve Assy - Spark plug	1

Item No.	Part Number	Description	Units Per Assy
22	67127	. . Sleeve - Wire	1
23	62932	. . Connector - Spark plug	1
24	62926	. . Boot - Spark plug	1
25	100298	Nut - Hex 6-32	1
26	62818A	Wire Assy - Primary	1
27	103672	Screw - Fil hd 8-32 x 1/2	1
28	100080	Washer - #8	1
29	61650	Condenser	1
30	62365	Spacer - Breaker box	1
31	110349	Screw - Rd hd 8-32 x 3/4	1
32	62362	Cover - Breaker box	1
33	54184	Wiper - Cam	1
34	110346	Screw - Hex hd 6-32 x 3/4	1
35	100934	Screw - Rd hd 8-32 x 3/8	1
36	110445	Screw - Tr hd 8-32 x 3/8	1
37	105976	Washer - #8	1
38	66231	Breaker Assy	1
39	110489	Screw - Pan hd 6-32 x 7/16	1
40	83126	Strap - Conduction	1
41	83125	Box - Breaker	1
42	67051	Seal - Breaker box	1

ACCESSORIES

Part Number	Description
83673	Owner's Manual
52827	Wrench - Screwdriver
63746	"Scrench"
63341A	Kit - Spike
65325	Baffle - Alternate
65712	Guide - Timing
63097	Spark Plug - AC CS 45T
-83560	Frame Assy - Wraparound

Part Number	Description
65778	Spark Plug - AC CS 41T
69031	Piston Assy - 0.020 oversize
63291	. Ring Set - 0.020 oversize
110590	. Bearing - Needle (2)
69032	Piston Assy - 0.030 oversize
63292	. Ring Set - 0.030 oversize
110590	. Bearing - Needle (2)

3080469

CP 70

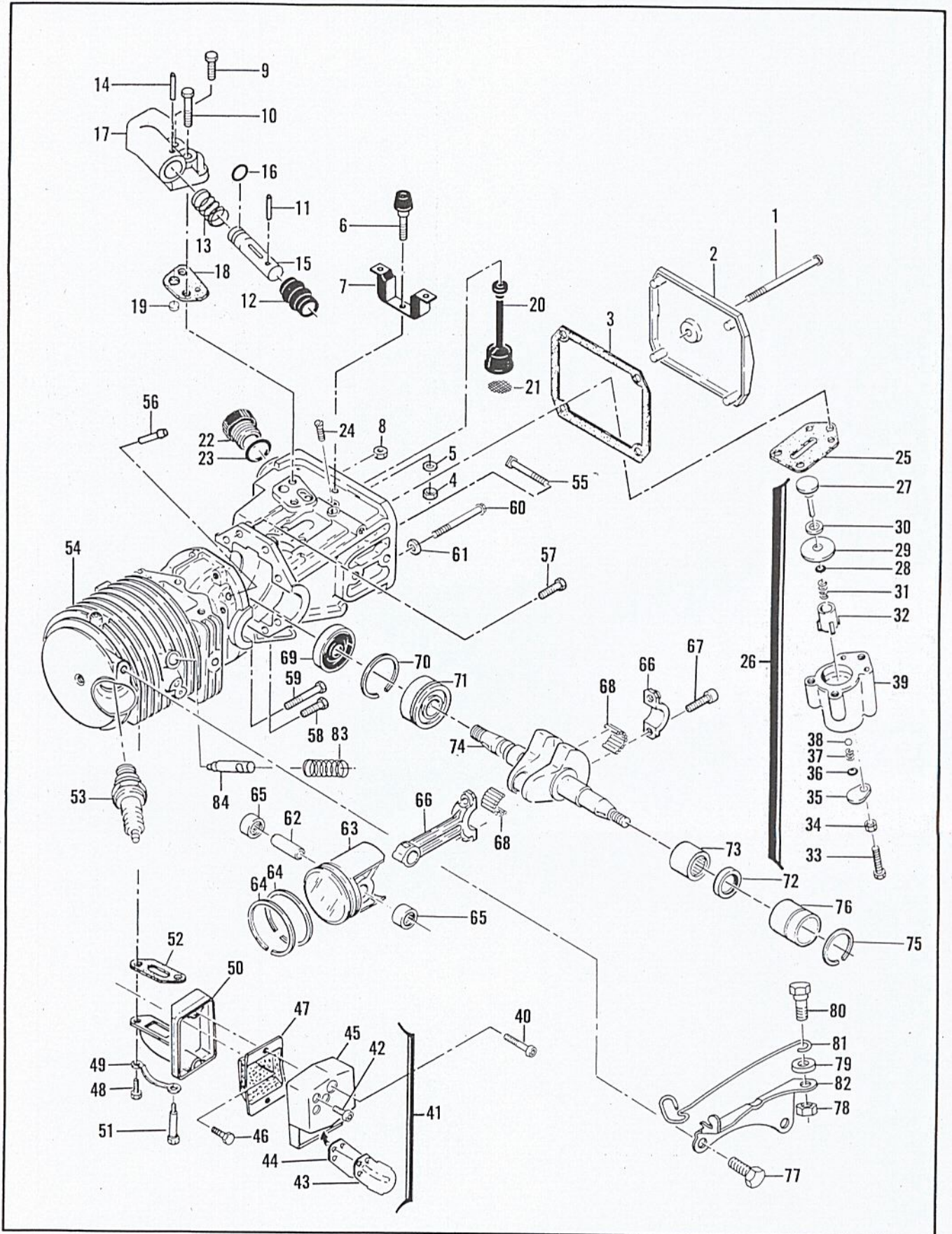


Figure 6. Powerhead and Oiler Assemblies

FIGURE 6. POWERHEAD AND OILER ASSEMBLIES

Item No.	Part Number	Description	Units Per Assy
1	110291	Screw - Pan hd 10-24 x 2-5/8	1
2	63072	Cover - Oiler tank	1
3	62116	Gasket - Cover	1
4	101143	Nut - Hex 1/4-20	1
5	102523	Washer - 1/4	1
6	69832	Bumper - Front	1
7	69810	Mount - Front	1
8	100955	Nut - Hex 8-32	1
9	110623	Screw - Fil hd 8-32 x 1/2	1
10	105245	Screw - Fil hd 8-32 x 1	1
11	105673	Pin - Roll 3/32 x 9/16	1
12	69586	Boot - Plunger	1
13	69585	Spring - Plunger	1
14	101556	Pin - Roll 1/8 x 5/8	1
15	69584	Plunger - Pump	1
16	101056	"O" Ring	1
17	69582	Body - Oil pump	1
18	62230	Gasket - Oil pump	1
19	62909	Valve - Oiler	1
20	62123B	Hose Assy - Oil	1
21	51506	. Screen - Hose	1
22	68809	Cap - Oiler	1
23	101148	"O" Ring	1
24	110333	Screw - Ov hd 8-32 x 1/2	3
25	62274	Gasket - Pump	1
26	83134	Pump Assy - Pulse	1
27	60260A	. Piston Assy - Pump	1
28	104001	. "O" Ring	1
29	60263	. Ring - Piston	1
30	60937	. Washer - Teflon	1
31	60259	. Spring - Piston oiler	1
32	62227	. Sleeve - Adjustment	1
33	110386	. Screw - Hex hd 8-32 x 1	1
34	100251	. Nut - Hex 8-32	1
35	62407	. Cover - Outlet valve	1
36	106104	. "O" Ring	1
37	62885A	. Spring - Outlet valve	1
38	102809	. Ball	1
39	83128	. Body Assy - Pump	1
40	110473	Screw - Skt hd 10-24 x 1-5/8	2
41	83341	Cover and Valve Assy	1
42	110472	. Screw - Skt hd 8-32 x 5/16	3

Item No.	Part Number	Description	Units Per Assy
43	83342	. Stop - Reed valve	1
44	64785	. Valve - Reed	1
45	65419	. Cover Assy - Spark arrester	1
46	110341	Screw - Hex hd 10-24 x 1/2	1
47	62379B	Baffle	1
48	110529	Screw - Hex hd 10-24 x 1/2	1
49	67922	Lockplate	1
50	83106	Body and Duct Assy	1
51	68187	. Screw - Special	1
52	68149	Gasket - Spark arrester	1
53	63432	Spark Plug	1
54	83222	Crankcase Assy	1
55	62065	. Bolt - Bar mounting	2
56	69600	. Nipple - Pulse line	1
57	110288	. Screw - Hex hd 8-32 x 3/4	2
58	110288	Screw - Hex hd 8-32 x 3/4	1
59	110618	Screw - Hex hd 8-32 x 1-3/8	1
60	62105	Screw Assy - Sealing	4
61	62842	. Washer - Sealing	4
62	69020	Pin - Piston	1
63	69030	Piston - Assy	1
64	63290	. Ring Set	1
65	110590	. Bearing - Needle	2
66	83060	Connecting Rod Assy	1
67	61627A	. Screw - Skt hd 8-36 x 1/2	2
68	63225	. Roller (set of 20)	1
69	65746	Oil Seal	1
70	63464	Ring - Snap	-
71	63429B	Bearing - Ball	1
72	65747	Oil Seal	1
73	104357	Bearing - Needle	1
74	63336	Crankshaft	1
75	63699	Ring - Bearing insert	1
76	63701	Insert - Bearing	1
77	110341	Screw - Hex hd 10-24 x 1/2	2
78	101191	Nut - Hex 10-24	1
79	83076	Spacer - Lever	1
80	83075	Pivot - Lever	1
81	83074	Lever - D.S.P.	1
82	83072	Bracket - D.S.P.	1
83	83071	Spring - D.S.P. valve	1
84	83070	Valve - D.S.P.	1