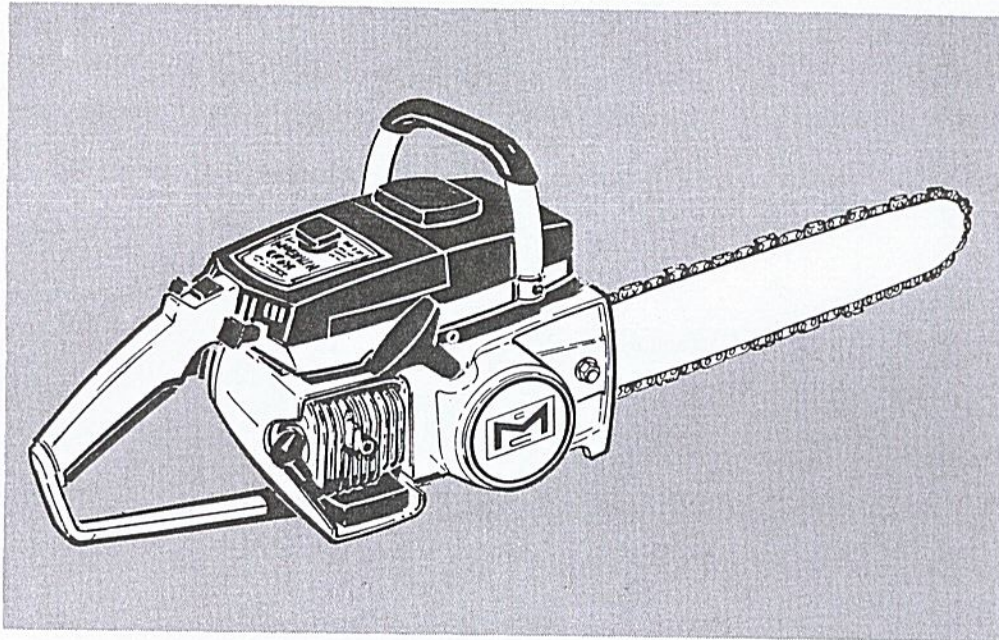


CP 55 CHAIN SAW

MODEL NO. 600430 SERIAL NOS. PREFIXED 12-

ILLUSTRATED PARTS LIST



September 1969

The policy of McCulloch Corporation is one of continual improvement in design, manufacturing and engineering advancement wherever possible to assure still finer two-cycle power tools. Hence, specifications, equipment, colors, design and manufacturer's suggested list prices are subject to change without notice and McCulloch Corporation reserves the right to make such changes without prior notification or obligation to backfit or supply backfit components for units previously shipped from the factory.

| | Page |
|---|------|
| Figure 1. General | 2 |
| Figure 2. Clutch Guard & Starter Assembly | 4 |
| Figure 3. Fuel Tank Assembly | 4 |
| Figure 4. Carburetor Assembly | 6 |
| Figure 5. Flywheel & Ignition System | 8 |
| Figure 6. Powerhead & Oiler Assemblies | 10 |

 **McCULLOCH**

COPYRIGHT 1969 U.S.A.--
McCULLOCH CORPORATION

#83711

MODEL CP 55

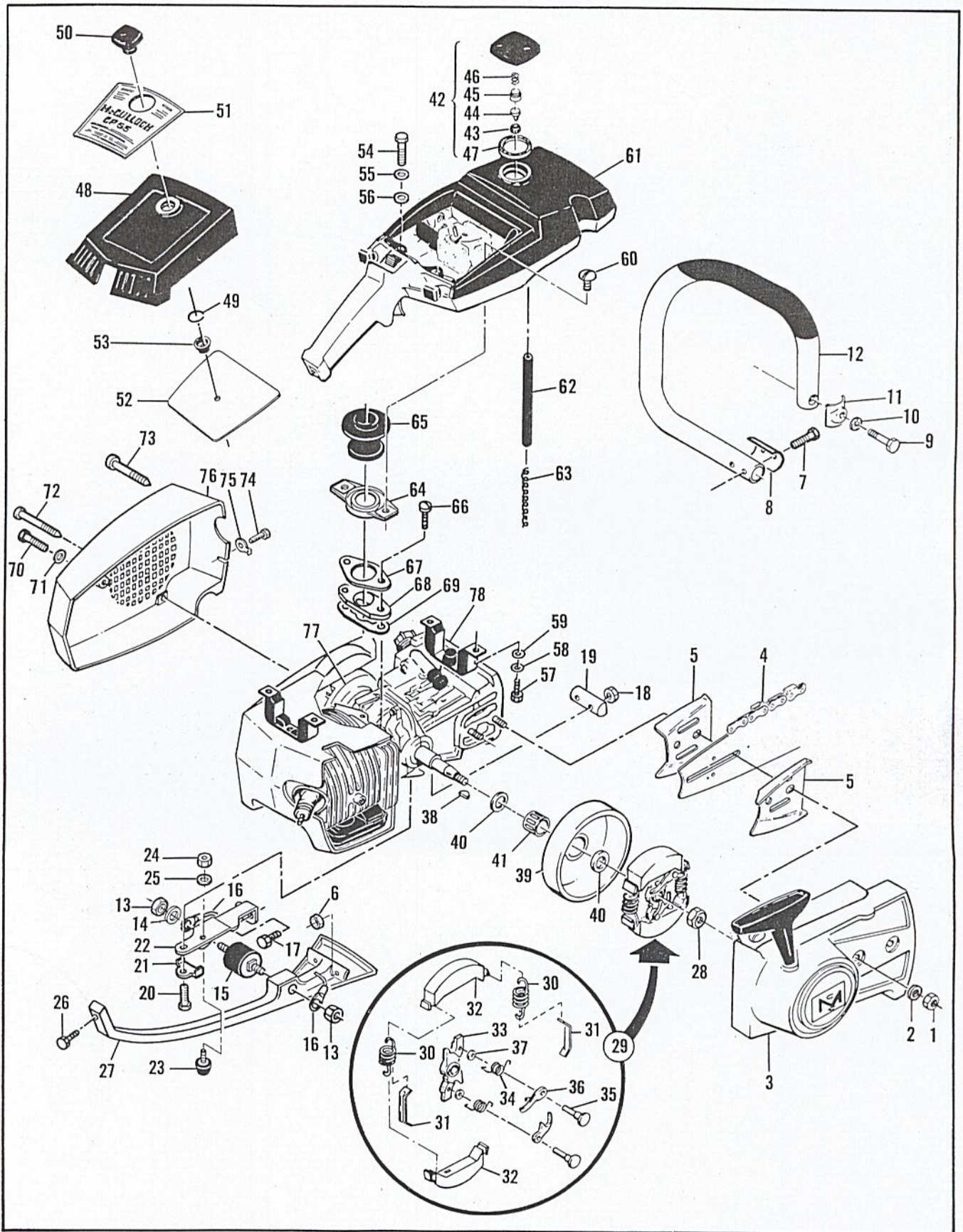


Figure 1. General

FIGURE 1. GENERAL.

| Item No. | Part Number | Description | Units Per Assy |
|----------|-------------|---|----------------|
| 1 | 110454 | Nut - Hex 5/16-24 | 2 |
| 2 | 100440 | Washer - 5/16 | 2 |
| 3 | | Clutch Guard & Starter Assy (See Figure 2) | |
| 4 | | Bar & Chain Assy | 1 |
| 5 | 64325 | Plate - Bar protector | 2 |
| 6 | 101326 | Nut - Hex 10-24 | 2 |
| 7 | 110552 | Screw - Hex hd 10-24 x 1-1/4 | 2 |
| 8 | 69645 | Clamp - Frame | 1 |
| 9 | 102130 | Screw - Hex hd 1/4-20 x 1-1/2 | |
| 10 | 100153 | Lockwasher - 1/4 | 1 |
| 11 | 63484 | Clamp - Frame | 1 |
| 12 | 83056 | Frame & Grip Assy | 1 |
| 13 | -103242 | Nut - Hex 1/4-20 | 2 |
| 14 | 100005 | Washer - 1/4 | 1 |
| 15 | 69589 | Mount - Lower | 1 |
| 16 | -83828 | Strap - Ground | 1 |
| 17 | 102760 | Screw - Hex hd 10-24 x 1 | 2 |
| 18 | 101326 | Nut - Hex 10-24 | 2 |
| 19 | 69596 | Plug - Nut retainer | 1 |
| 20 | 110566 | Screw - Hex hd 10-24 x 5/8 | 1 |
| 21 | 68508 | Lockplate | 1 |
| 22 | 83112 | Bracket - Lower mount | 1 |
| 23 | 83111 | Bumper - Lower | 1 |
| 24 | 105367 | Nut - Hex 10-24 | 1 |
| 25 | 101194 | Lockwasher | 1 |
| 26 | 101977 | Screw - Fil hd 1/4-20 x 3/4 | 1 |
| 27 | 83110 | Brace - Frame | 1 |
| 28 | 110594 | Nut - Hex 3/8-24 | 1 |
| 29 | -83655 | Clutch Assy | 1 |
| 30 | 83223 | . Spring - Clutch | 2 |
| 31 | 64583 | . Retainer - Spring | 2 |
| 32 | 67233 | . Shoe - Clutch | 2 |
| 33 | 62204C | . Rotor Assy | 1 |
| 34 | -83654 | . . Spring - Pawl | 2 |
| 35 | -83653 | . . Rivet | 2 |
| 36 | -24093 | . . Pawl - Starter | 2 |
| 37 | 65473 | . . Washer - Special | 2 |
| 38 | 103879 | Key - Woodruff | 1 |
| 39 | 65370 | Kit - Sprocket and Drum | 1 |
| 40 | 61692 | . Shim | 2 |
| 41 | 110330 | Bearing - Sprocket | 1 |

| Item No. | Part Number | Description | Units Per Assy |
|----------|-------------|--|----------------|
| 42 | 68531 | Cap Assy - Fuel | 1 |
| 43 | 68533 | . Plug | 1 |
| 44 | 63041 | . Valve | 1 |
| 45 | 62316 | . Guide | 1 |
| 46 | 63040 | . Spring | 1 |
| 47 | 69767 | . Gasket | 1 |
| 48 | 69840 | Cover Assy - Air cleaner | 1 |
| 49 | 110565 | . Ring - Retaining | 1 |
| 50 | 68529 | . Knob - Cover | 1 |
| 51 | 83458 | Nameplate | 1 |
| 52 | 69845 | Filter Assy - Air | 1 |
| 53 | 68528 | . Grommet | 1 |
| 54 | 102861 | Screw - Hex hd 1/4-20 x 5/8 | 2 |
| 55 | 100153 | Lockwasher - #12 | 2 |
| 56 | 100005 | Washer - #12 | 2 |
| 57 | 102388 | Screw - Hex hd 10-24 x 5/8 | 2 |
| 58 | 101194 | Lockwasher - #10 | 2 |
| 59 | 100002 | Washer - #10 | 2 |
| 60 | 104071 | Screw - Pan hd 8-32 x 5/16 | 2 |
| 61 | | Fuel Tank Assembly (See Figure 3) | |
| 62 | 69598 | Line - Pulse | 1 |
| 63 | 67944 | Spring - Pulse line | 1 |
| 64 | 83122 | Clamp Assy - Upper boot | 1 |
| 65 | 69647 | Boot - Port | 1 |
| 66 | 104397 | Screw - Pan hd 10-24 x 7/8 | 2 |
| 67 | 69759 | Clamp - Boot | 1 |
| 68 | 69649 | Insulator - Inlet | 1 |
| 69 | 68130 | Gasket - Insulator | 1 |
| 70 | 104534 | Screw - Skt hd 10-24 x 1-3/8 | 1 |
| 71 | 24236 | Washer - Special | 1 |
| 72 | 62978 | Screw - Special | 1 |
| 73 | 69954 | Screw - Special | 1 |
| 74 | 102762 | Screw - Hex hd 10-24 x 1/2 | 1 |
| 75 | 69890 | Lockplate | 1 |
| 76 | 69793 | Fan Housing | 1 |
| 77 | | Flywheel & Ignition System (See Figure 5) | |
| 78 | | Powerhead & Oiler Assemblies (See Figure 6) | |

Part numbers which have changed since the previous printing of the illustrated parts list covering these saws, are indicated by a dash (-) preceding the new part number.

MODEL CP55

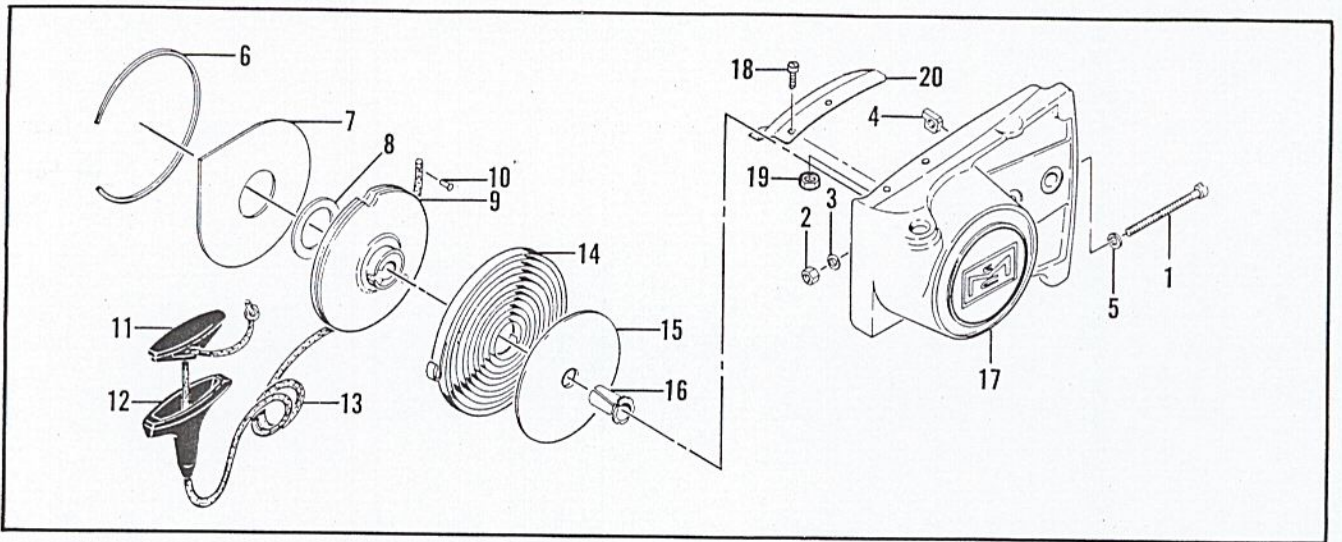


Figure 2. Clutch Guard and Starter Assembly

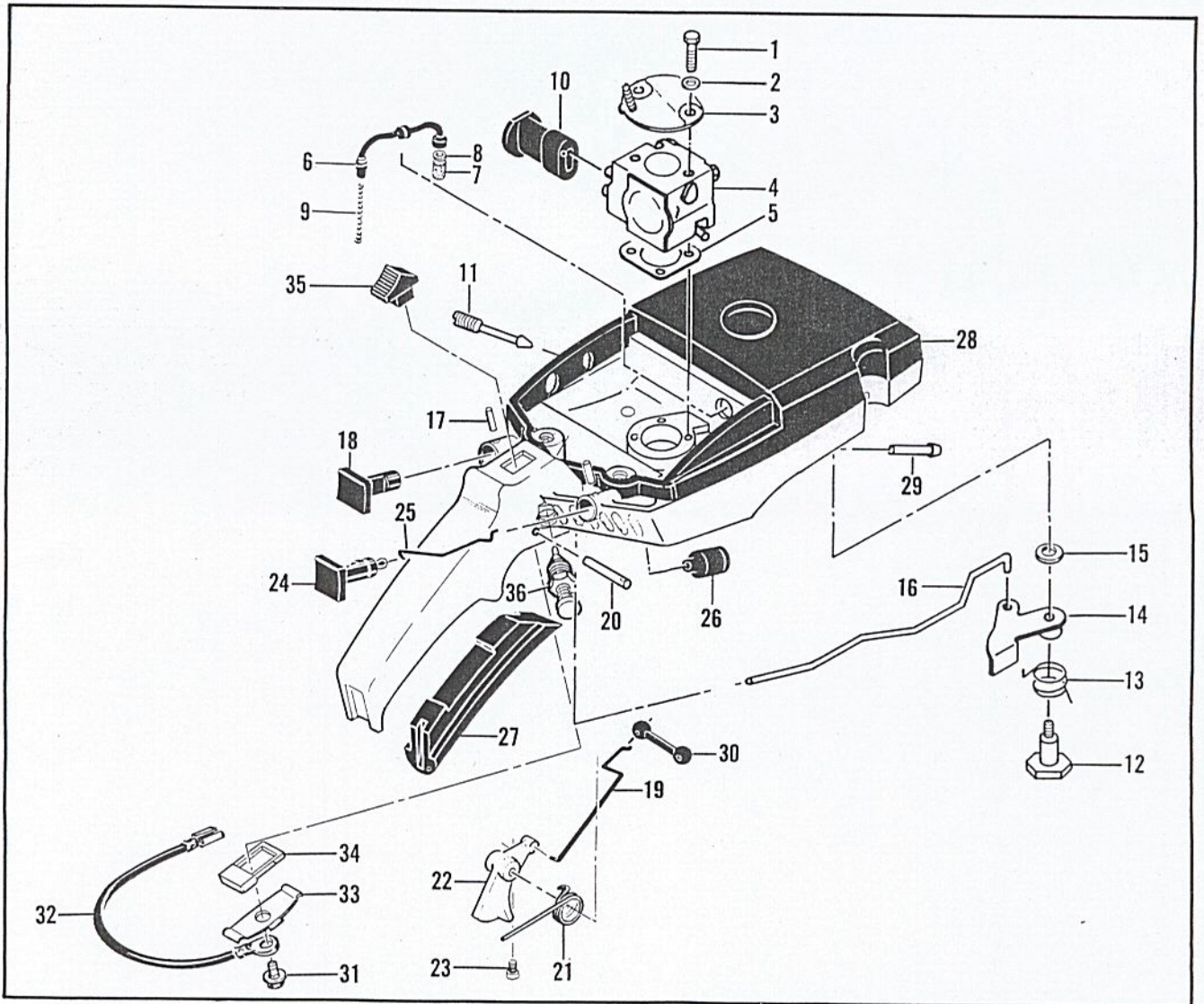


Figure 3. Fuel Tank Assembly

FIGURE 2. CLUTCH GUARD & STARTER ASSEMBLY

| Item No. | Part Number | Description | Units Per Assy |
|----------|-------------|-------------------------|----------------|
| | -83850 | Clutch Guard Assy | 1 |
| 1 | 102144 | . Screw - Bar adjusting | 1 |
| 2 | 102067 | . Nut - Hex 10-24 | 1 |
| 3 | 110387 | . Washer - Wavey | 1 |
| 4 | 61705 | . Nut - Bar adjusting | 1 |
| 5 | 110264 | . Washer - 3/16 | 1 |
| 6 | 67205 | . Retainer - Shield | 1 |
| 7 | 63985 | . Shield - Dust | 1 |
| 8 | 63986 | . Washer - Thrust | 1 |
| 9 | 83651 | . Drum - Starter | 1 |

| Item No. | Part Number | Description | Units Per Assy |
|----------|-------------|---------------------------|----------------|
| 10 | 110470 | . Rivet - Starter rope | 1 |
| 11 | 62191A | . Insert - Handle | 1 |
| 12 | 62190A | . Handle - Starter | 1 |
| 13 | 69964 | . Rope - Starter | 1 |
| 14 | -83334 | . Spring - Rewind | 1 |
| 15 | 63987 | . Shield - Spring | 1 |
| 16 | 61635A | . Bushing - Nyliner | 1 |
| 17 | 83569 | . Guard - Clutch | 1 |
| 18 | 110385 | Screw - Pan hd 8-32 x 3/8 | 2 |
| 19 | 100955 | Nut - Hex 8-32 | 2 |
| 20 | 83064 | Guard - Sawdust | 1 |

FIGURE 3. FUEL TANK ASSEMBLY

| Item No. | Part Number | Description | Units Per Assy |
|----------|-------------|--------------------------------|----------------|
| 1 | 110551 | Screw - Hex hd 10-24 x 2-1/8 | 2 |
| 2 | 101194 | Lockwasher - #10 | 2 |
| 3 | 83204 | Bracket Assy | 1 |
| 4 | | Carburetor Assy (See Figure 4) | 1 |
| 5 | 83059 | Gasket - Carburetor | 1 |
| 6 | 64848 | Hose Assy - Fuel | 1 |
| 7 | 63932 | . Filter - Fuel | 1 |
| 8 | 100440 | . Washer | 1 |
| 9 | 67944 | Spring - Hose stiffener | 1 |
| 10 | 69629 | Boot - Carburetor mix | 1 |
| 11 | 67271 | Screw - Idle speed adjustment | 1 |
| 12 | 69594 | Pivot - Oiler lever | 1 |
| 13 | 69781 | Spring - Oiler lever | 1 |
| 14 | 69825 | Lever Assy - Oiler | 1 |
| 15 | 105048 | Washer - 3/16 | 1 |
| 16 | 69802 | Rod - Oiler | 1 |
| 17 | 105673 | Pin - Roll 3/32 x 9/16 | 2 |
| 18 | 63044 | Button - Oiler | 1 |

| Item No. | Part Number | Description | Units Per Assy |
|----------|-------------|--------------------------------|----------------|
| 19 | 69632 | Rod - Throttle | 1 |
| 20 | 110378 | Pin - Roll 3/16 x 15/16 | 1 |
| 21 | 65734 | Spring - Throttle return | 1 |
| 22 | 67224 | Trigger | 1 |
| 23 | 110537 | Screw - Fil hd 8-36 x 1/2 | 1 |
| 24 | 69630 | Button - Choke | 1 |
| 25 | 69631 | Rod - Choke | 1 |
| 26 | 69597 | Boot - Control rod | 2 |
| 27 | 64872 | Grip - Handle | 1 |
| 28 | 69807 | Tank Assy - Fuel | 1 |
| 29 | 69600 | . Nipple - Pulse line | 1 |
| 30 | 69043 | Snubber - Throttle & Choke Rod | 1 |
| 31 | 103672 | Screw - Fil hd 8-32 x 1/2 | 1 |
| 32 | 83661 | Wire Assy - Stop switch | 1 |
| 33 | 62451 | Contact - Switch | 1 |
| 34 | 62950A | Base - Switch | 1 |
| 35 | 62951 | Button - Switch | 1 |
| 36 | 83051 | Lock Assy - Throttle | 1 |

MODEL CP 55

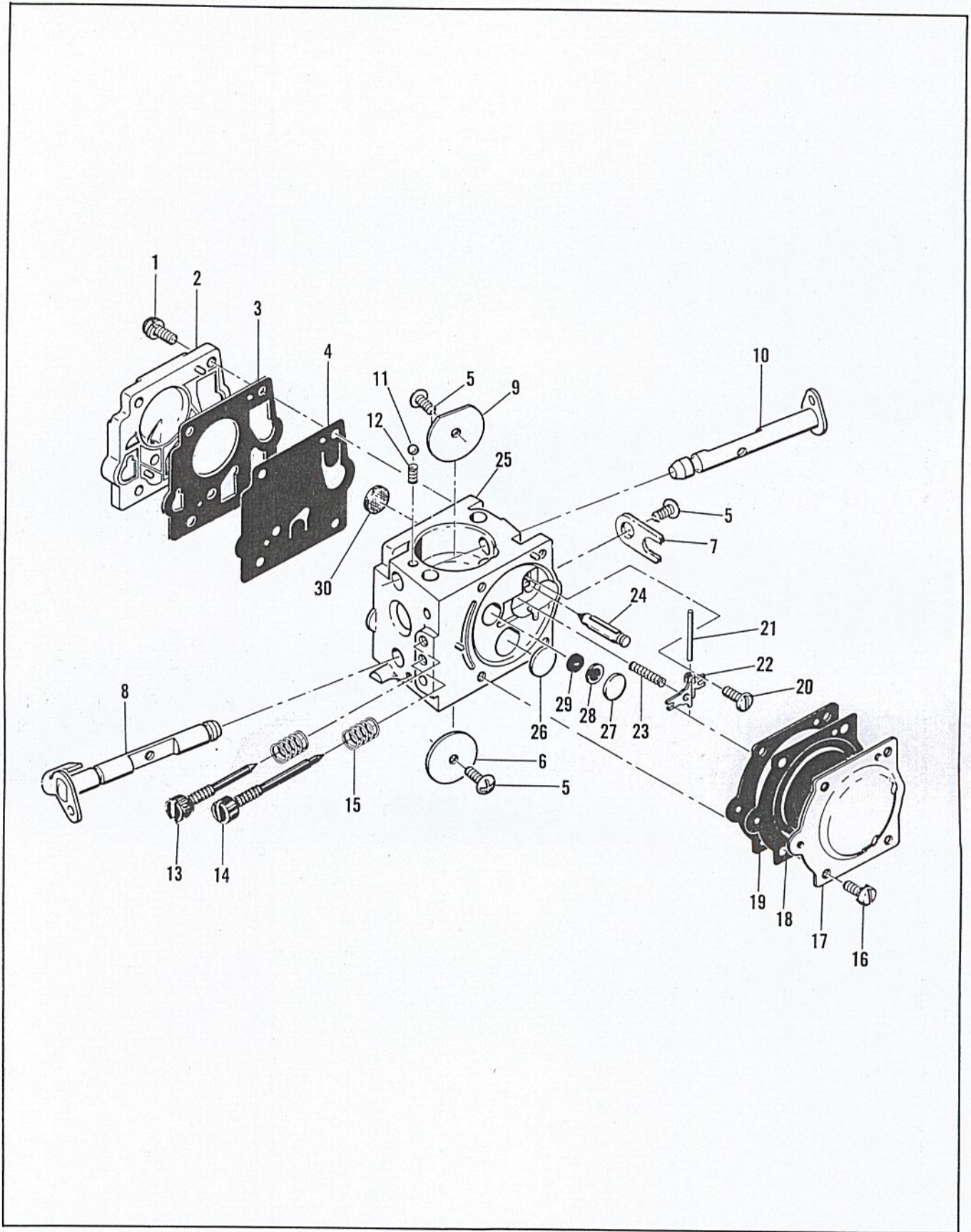


Figure 4. Carburetor Assembly

FIGURE 4. CARBURETOR ASSEMBLY

MODEL CP 55

| Item No. | Part Number | Description | Units Per Assy |
|----------|-------------|---------------------------|----------------|
| | 69942 | Carburetor Assy | 1 |
| 1 | 67501 | . Screw - Pump cover | 4 |
| 2 | 83760 | . Cover - Pump | 1 |
| 3 | * 67495 | . Gasket - Cover | 1 |
| 4 | * 83114 | . Diaphragm - Fuel pump | 1 |
| 5 | * 47690 | . Screw - Plate | 3 |
| 6 | 83762 | . Plate - Throttle | 1 |
| 7 | 67489 | . Clip - Shaft | 1 |
| 8 | 67486 | . Shaft Assy - Throttle | 1 |
| 9 | 67490 | . Plate - Choke | 1 |
| 10 | 67488 | . Shaft Assy - Choke | 1 |
| 11 | * 100302 | . Ball - Choke friction | 1 |
| 12 | * 67504 | . Spring - Choke | 1 |
| 13 | * 68104 | . Needle - High speed | 1 |
| 14 | * 68105 | . Needle - Idle | 1 |
| 15 | * 67502 | . Spring - Needle | 2 |
| 16 | 70798 | . Screw - Diaphragm cover | 4 |

| Item No. | Part Number | Description | Units Per Assy |
|----------|-------------|--------------------------|----------------|
| 17 | 83761 | . Cover - Diaphragm | 1 |
| 18 | * 67499 | . Diaphragm - Metering | 1 |
| 19 | * 67496 | . Gasket - Diaphragm | 1 |
| 20 | * 67500 | . Screw - Lever pin | 1 |
| 21 | * 67508 | . Pin - Lever | 1 |
| 22 | * 67509 | . Lever - Metering | 1 |
| 23 | * 67503 | . Spring - Lever | 1 |
| 24 | * 67491 | . Valve - Needle | 1 |
| 25 | 83759 | . Body Assy - Carburetor | 1 |
| 26 | * 71690 | . . Plug - 3/8 | 1 |
| 27 | * 69506 | . . Plug - 5/16 | 1 |
| 28 | 69203 | . . Seat Assy | 1 |
| 29 | 69204 | . . Valve | 1 |
| 30 | * 67507 | . . Screen - Fuel | 1 |
| | * 67482 | Gasket Set | |
| | 83764 | Repair Kit | |

* Indicates parts included in Repair Kit, P/N 83764

MODEL CP 55

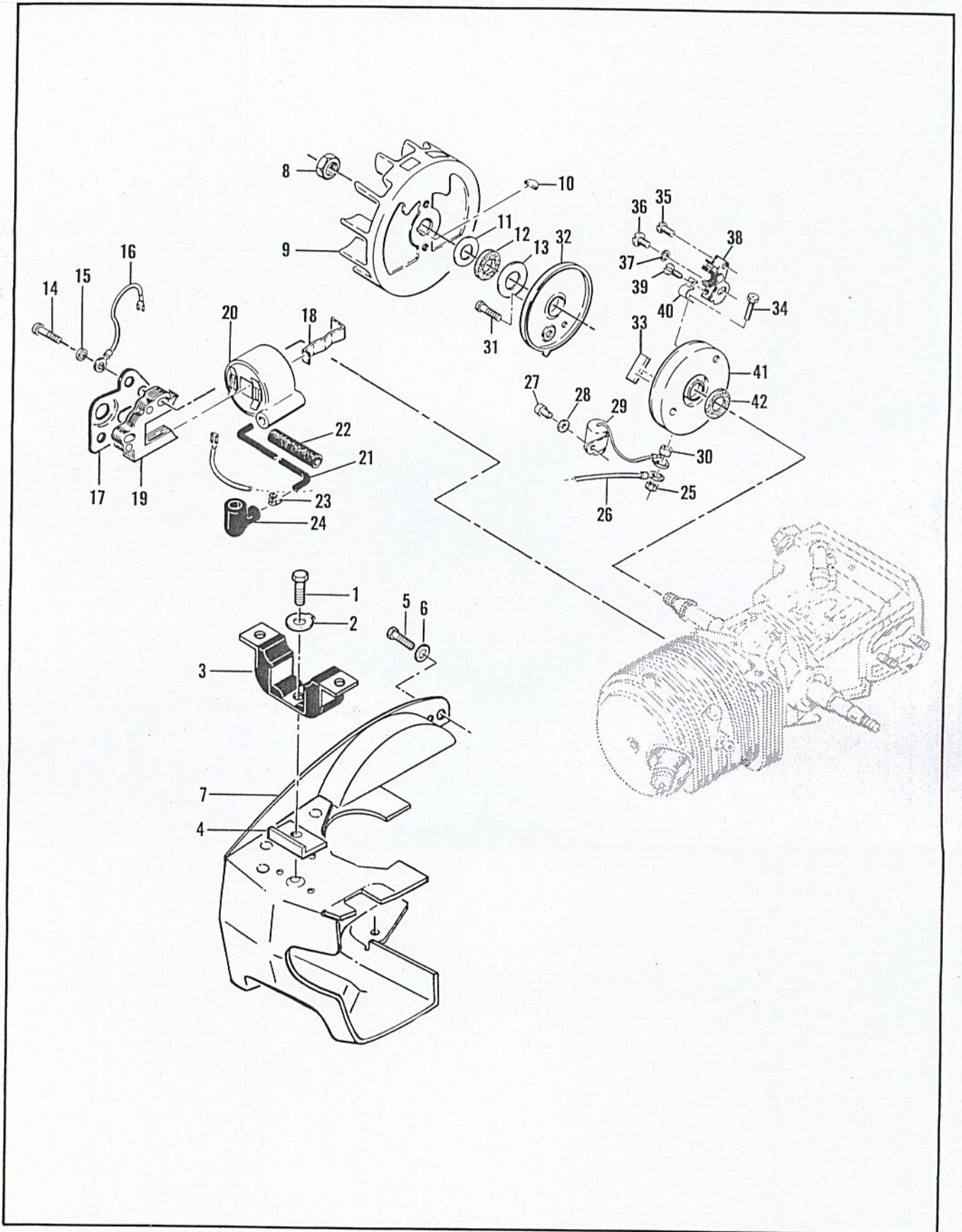


Figure 5. Flywheel and Ignition System

FIGURE 5. FLYWHEEL & IGNITION SYSTEM

MODEL CP 55

| Item No. | Part Number | Description | Units Per Assy |
|----------|-------------|-------------------------------------|----------------|
| 1 | 69955 | Screw - Hex hd 12-24 x 5/8 | 1 |
| 2 | 69924 | Lockplate | 1 |
| 3 | 69588 | Mount - Rear | 1 |
| 4 | 83693 | Adaptor - Rear mount | 1 |
| 5 | 102219 | Screw - Fil hd 8-32 x 1/4 | 1 |
| 6 | 100057 | Lockwasher - #8 | 1 |
| 7 | 69841 | Shroud Assy | 1 |
| 8 | 110594 | Nut - Hex 3/8-24 | 1 |
| 9 | 61737A | Flywheel Assy | 1 |
| 10 | 103879 | Key - Woodruff | 1 |
| 11 | 67057 | Washer - Thrust | 1 |
| 12 | 67056 | Seal | 1 |
| 13 | 67054 | Washer - Thrust | 1 |
| 14 | 103947 | Screw - Hex hd 10-24 x 1 (SEMS) | 2 |
| 15 | 100003 | Washer - #10 | 1 |
| 16 | 62819 | Wire Assy - Ground | 1 |
| 17 | 69628 | Bracket - Mounting | 1 |
| 18 | 51253 | Retainer - Coil | 1 |
| 19 | 68164 | Lamination Assy | 1 |
| 20 | 69798 | Coil and Terminal Assy | 1 |
| 21 | 69966 | . Wire and Sleeve Assy - Spark plug | 1 |

| Item No. | Part Number | Description | Units Per Assy |
|----------|-------------|----------------------------|----------------|
| 22 | 67127 | . . Sleeve - Wire | 1 |
| 23 | 62932 | . . Connector - Spark plug | 1 |
| 24 | 62926 | . . Boot - Spark plug | 1 |
| 25 | 100298 | Nut - Hex 6-32 | 1 |
| 26 | 69344 | Wire Assy - Primary | 1 |
| 27 | 103672 | Screw - Fil hd 8-32 x 1/2 | 1 |
| 28 | 100080 | Washer - #8 | 1 |
| 29 | 61650 | Condenser | 1 |
| 30 | 62365 | Spacer - Breaker box | 1 |
| 31 | 110349 | Screw - Rd hd 8-32 x 3/4 | 1 |
| 32 | 62362 | Cover - Breaker box | 1 |
| 33 | 54184 | Wiper - Cam | 1 |
| 34 | 110346 | Screw - Hex hd 6-32 x 3/4 | 1 |
| 35 | 100934 | Screw - Rd hd 8-32 x 3/8 | 1 |
| 36 | 110445 | Screw - Tr hd 8-32 x 3/8 | 1 |
| 37 | 105976 | Washer - #8 | 1 |
| 38 | 66231 | Breaker Assy | 1 |
| 39 | 110489 | Screw - Pan hd 6-32 x 7/16 | 1 |
| 40 | 83126 | Strap - Conduction | 1 |
| 41 | 83125 | Box - Breaker | 1 |
| 42 | 67051 | Seal - Breaker box | 1 |

ACCESSORIES

| Part Number | Description |
|-------------|-----------------------------|
| 83673 | Owner's Manual |
| 62827 | Wrench - Screwdriver |
| 83406 | Kit - Spark Arrester Screen |
| -63746 | "Scrench" |
| -63341A | Kit - Spike |
| -65712 | Guide - Timing |
| -63432 | Spark Plug - AC CS42T |

| Part Number | Description |
|-------------|------------------------------|
| -65778 | Spark Plug - AC CS41T |
| -69210 | Piston Assy - 0.020 inch O/S |
| -62813 | . Ring Set - 0.020 inch O/S |
| -103512 | . Bearing - Needle (2) |
| -69211 | Piston Assy - 0.030 inch O/S |
| -62812 | . Ring Set - 0.030 inch O/S |
| -103512 | . Bearing - Needle (2) |

MODEL CP 55

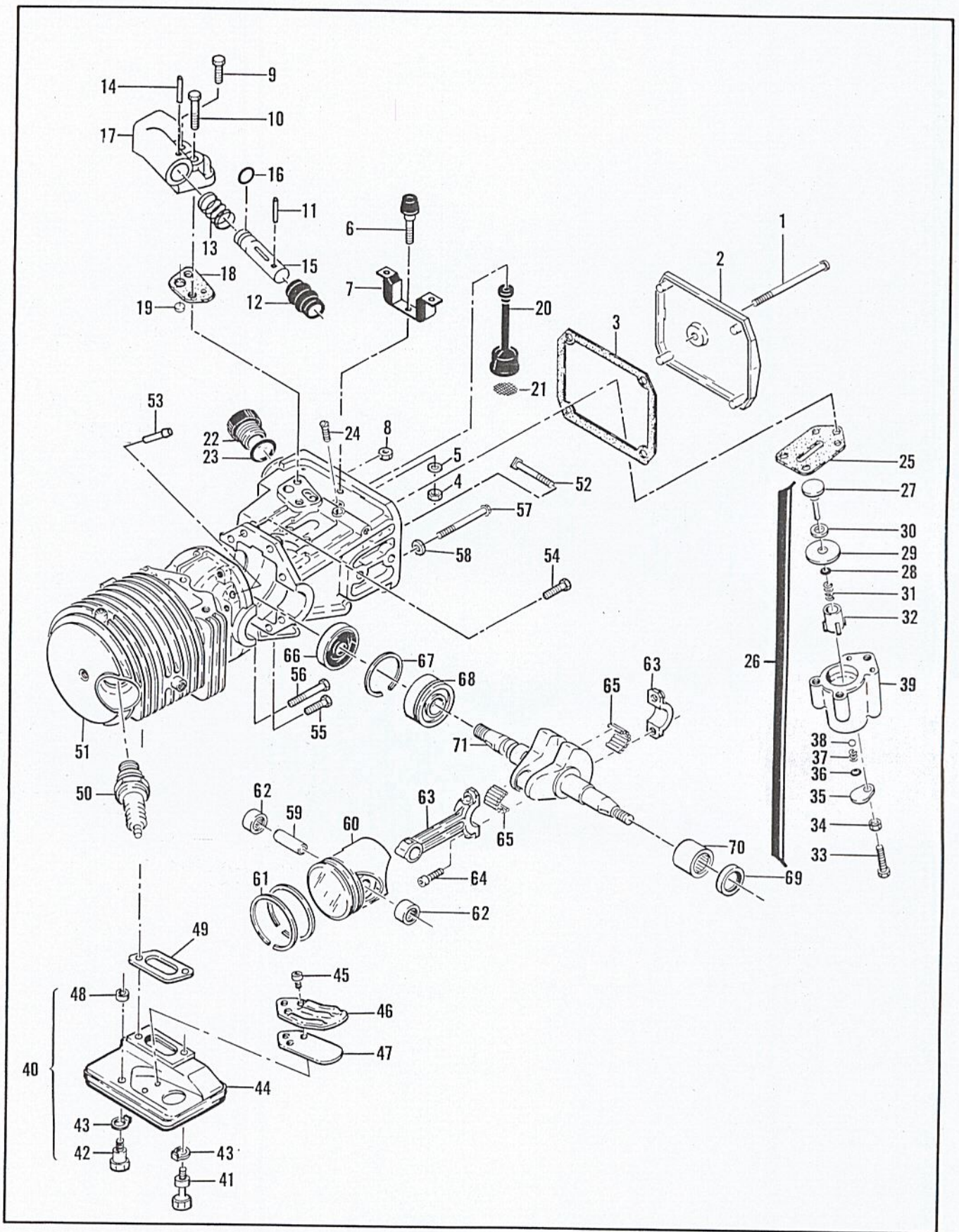


Figure 6. Powerhead and Oiler Assemblies

FIGURE 6. POWERHEAD & OILER ASSEMBLIES

| Item No. | Part Number | Description | Units Per Assy |
|----------|-------------|------------------------------|----------------|
| 1 | 110291 | Screw - Pan hd 10-24 x 2-5/8 | 1 |
| 2 | 63072 | Cover - Oiler tank | 1 |
| 3 | 62116 | Gasket - Cover | 1 |
| 4 | 101143 | Nut - Hex 1/4-20 | 1 |
| 5 | 102523 | Washer - 1/4 | 2 |
| 6 | 69832 | Bumper - Front | 1 |
| 7 | 69810 | Mount - Front | 1 |
| 8 | 100955 | Nut - Hex 8-32 | 1 |
| 9 | 110623 | Screw - Fil hd 8-32 x 1/2 | 1 |
| 10 | 105245 | Screw - Fil hd 8-32 x 1 | 1 |
| 11 | 105673 | Pin - Roll 3/32 x 9/16 | 1 |
| 12 | 69586 | Boot - Plunger | 1 |
| 13 | 69585 | Spring - Plunger | 1 |
| 14 | 101556 | Pin - Roll 1/8 x 5/8 | 1 |
| 15 | 69584 | Plunger - Pump | 1 |
| 16 | 101056 | "O" Ring | 1 |
| 17 | 69582 | Body - Oil pump | 1 |
| 18 | 62230 | Gasket - Oil pump | 1 |
| 19 | 62909 | Valve - Oiler | 1 |
| 20 | 62123B | Hose Assy - Oil | 1 |
| 21 | 51506 | . Screen - Hose | 1 |
| 22 | 68809 | Cap - Oiler | 1 |
| 23 | 101148 | "O" Ring | 1 |
| 24 | 110333 | Screw - Ov hd 8-32 x 1/2 | 3 |
| 25 | 62274 | Gasket - Pump | 1 |
| 26 | 83134 | Pump Assy - Pulse | 1 |
| 27 | 60260A | . Piston Assy - Pump | 1 |
| 28 | 104001 | . "O" Ring | 1 |
| 29 | 60263 | . Ring - Piston | 1 |
| 30 | 60937 | . Washer - Teflon | 1 |
| 31 | 60259 | . Spring - Piston oiler | 1 |
| 32 | 62227 | . Sleeve - Adjustment | 1 |
| 33 | 110386 | . Screw - Hex hd 8-32 x 1 | 1 |
| 34 | 100251 | . Nut - Hex 8-32 | 1 |
| 35 | 62407 | . Cover - Outlet valve | 1 |
| 36 | 106104 | . "O" Ring | 1 |

| Item No. | Part Number | Description | Units Per Assy |
|----------|-------------|-------------------------------|----------------|
| 37 | 62885A | . Spring - Outlet valve | 1 |
| 38 | 102809 | . Ball | 1 |
| 39 | 83128 | . Body Assy - Pump | 1 |
| 40 | 68863 | Kit - Muffler | 1 |
| 41 | 67838 | . Screw - Muffler long | 2 |
| 42 | 67837 | . Screw - Muffler short | 1 |
| 43 | 67836 | . Lockplate | 3 |
| 44 | 68838 | . Muffler Assy | 1 |
| 45 | 110563 | . . Screw - Skt hd 8-32 x 1/4 | 2 |
| 46 | 83342 | . . Stop - Reed | 1 |
| 47 | 64785 | . . Reed | 1 |
| 48 | 63993 | Insulator - Shroud | 1 |
| 49 | 68149 | Gasket - Muffler | 1 |
| 50 | 63097 | Spark Plug | 1 |
| 51 | 83221 | Crankcase Assy | 1 |
| 52 | 62065 | . Bolt - Bar mounting | 2 |
| 53 | 69600 | . Nipple - Pulse line | 1 |
| 54 | 110288 | . Screw - Hex hd 8-32 x 3/4 | 2 |
| 55 | 110288 | Screw - Hex hd 8-32 x 3/4 | 1 |
| 56 | 110618 | Screw - Hex hd 8-32 x 1-3/8 | 1 |
| 57 | 62105 | Screw Assy - Sealing | 4 |
| 58 | 62842 | . Washer - Sealing | 4 |
| 59 | 61649 | Pin Piston | 1 |
| 60 | 69212 | Piston - Assy | 1 |
| 61 | 62814 | . Ring Set | 1 |
| 62 | 103512 | . Bearing - Needle | 2 |
| 63 | 65401 | Connecting Rod Assy | 1 |
| 64 | 61627A | . Screw - Skt hd 8-36 x 1/2 | 2 |
| 65 | 63225 | . Roller (set of 20) | 1 |
| 66 | 67906 | Oil Seal | 1 |
| 67 | 63464 | Ring - Snap | 1 |
| 68 | 67905 | Bearing - Ball | 1 |
| 69 | 110260 | Oil Seal | 1 |
| 70 | 104357 | Bearing - Needle | 1 |
| 71 | 63336 | Crankshaft | 1 |