

McCULLOCH KART

ILLUSTRATED PARTS LIST

MODEL 200

MARCH 1962



The following pages contain an illustrated parts list for the Model 200 Kart. Due to small differences between karts, it is important that the serial number of the kart be included whenever spare parts are ordered.

	Page
Figure 1. Frame Assembly	2
Figure 2. Front End Steering	4
Figure 3. Rear Unit Components	6
Figure 4. Engine Mounting Kit	8



McCULLOCH CORPORATION
6101 West Century Boulevard,
Los Angeles 45, California

COPYRIGHT — 1962
McCULLOCH CORPORATION

#13973
PRICE 50 CENTS

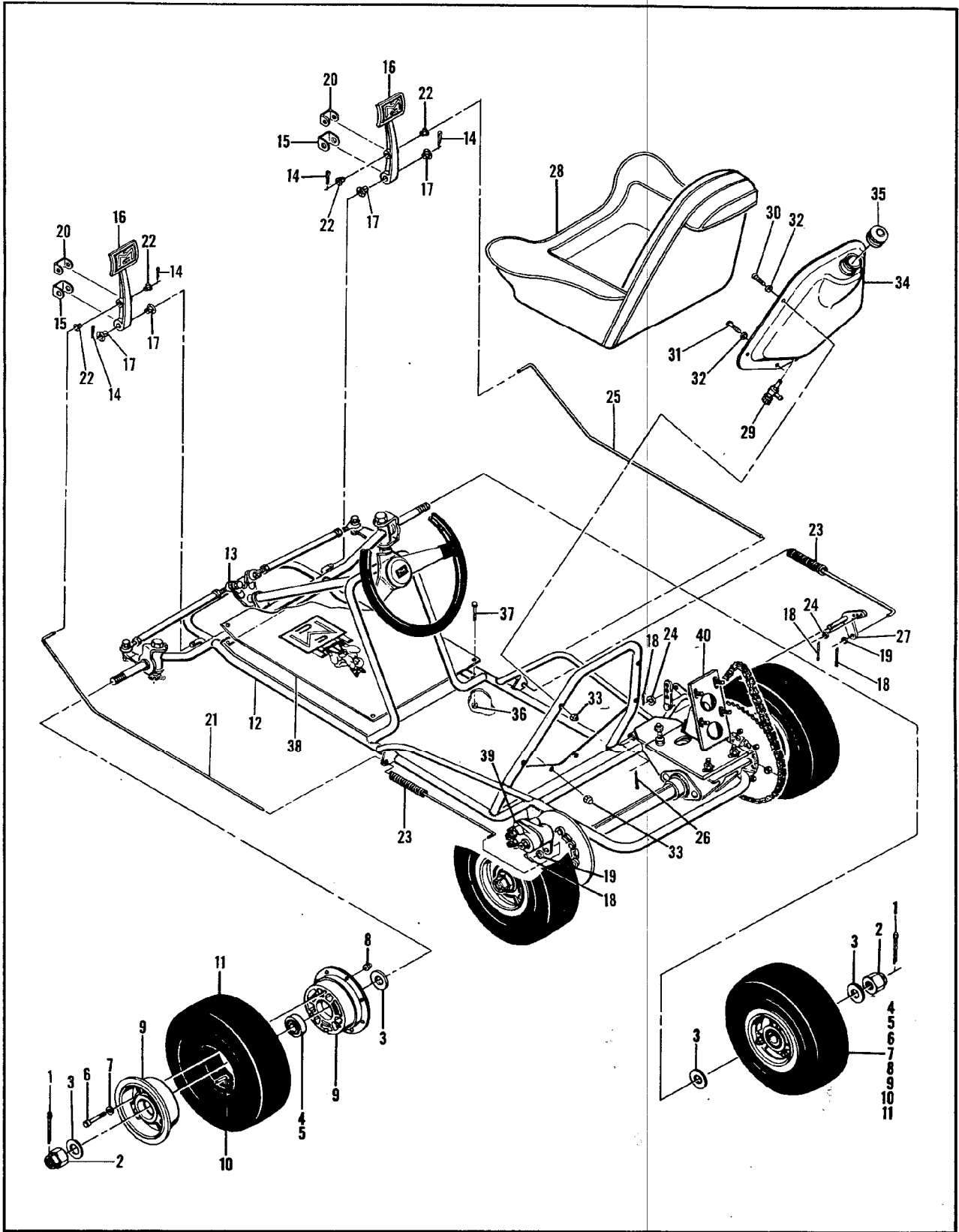


Figure 1. Frame Assembly

FIGURE 1 FRAME ASSEMBLY

Index No.	Part Number	Nomenclature	Units Per Assy
1	100888	Pin - Cotter	2
2	104726	Nut - Lock	2
3	13245	Retainer - Dust	4
4	104525	Cone - Bearing	4
5	104526	Cup - Bearing	4
6	13402	Screw - Special	6
7	24236	Washer - Special	6
8	101337	Nut - Hex 10-32	6
9	13206	Wheel - Front half	4
10	13640	Tube - Front	2
11	13545	Tire - Front special slick	2
12	13908	Frame - Assy	1
13		Front End Steering (See page 4)	1
14	105595	Pin - Cotter	4
15	13451	Clip - Pedal	2
16	13202	Pedal	2
17	104550	Bearing - Nyliner	4
18	105595	Pin - Cotter	4
19	100004	Washer - Plain 1/4 in.	2
20	13426	Clip	2
21	13480	Rod Assy - Brake	1
22	104532	Bearing - Nyliner	4
23	13368	Spring	2
24	100183	Washer	2
25	13465	Rod Assy - Throttle	1
26	105595	Pin - Cotter	1
27	13458	Control Assy - Throttle link	1
28	13918	Upholstery - Deluxe	1
29	104547	Valve - Shut off	1
30	102145	Screw - Fil hd 10-24 x 1-1/4 in. lg	4
31	103984	Screw - Fil hd 10-24 x 9/16 in. lg	2
32	100002	Washer - No. 10 plain	6
33	101191	Nut - Hex 10-24	6
34	13919	Fuel Tank Assy	1
35	13198	Cap - Filler	1
36	100640	Nut - Lock 1/4-28	4
37	103278	Bolt - Hex hd 1/4-28 x 1/2 in. lg	4
38	13910	Pan - Floor	1
39		Brake Assy (See page 6)	1
40		Engine Mounting Kit (See page 8)	1

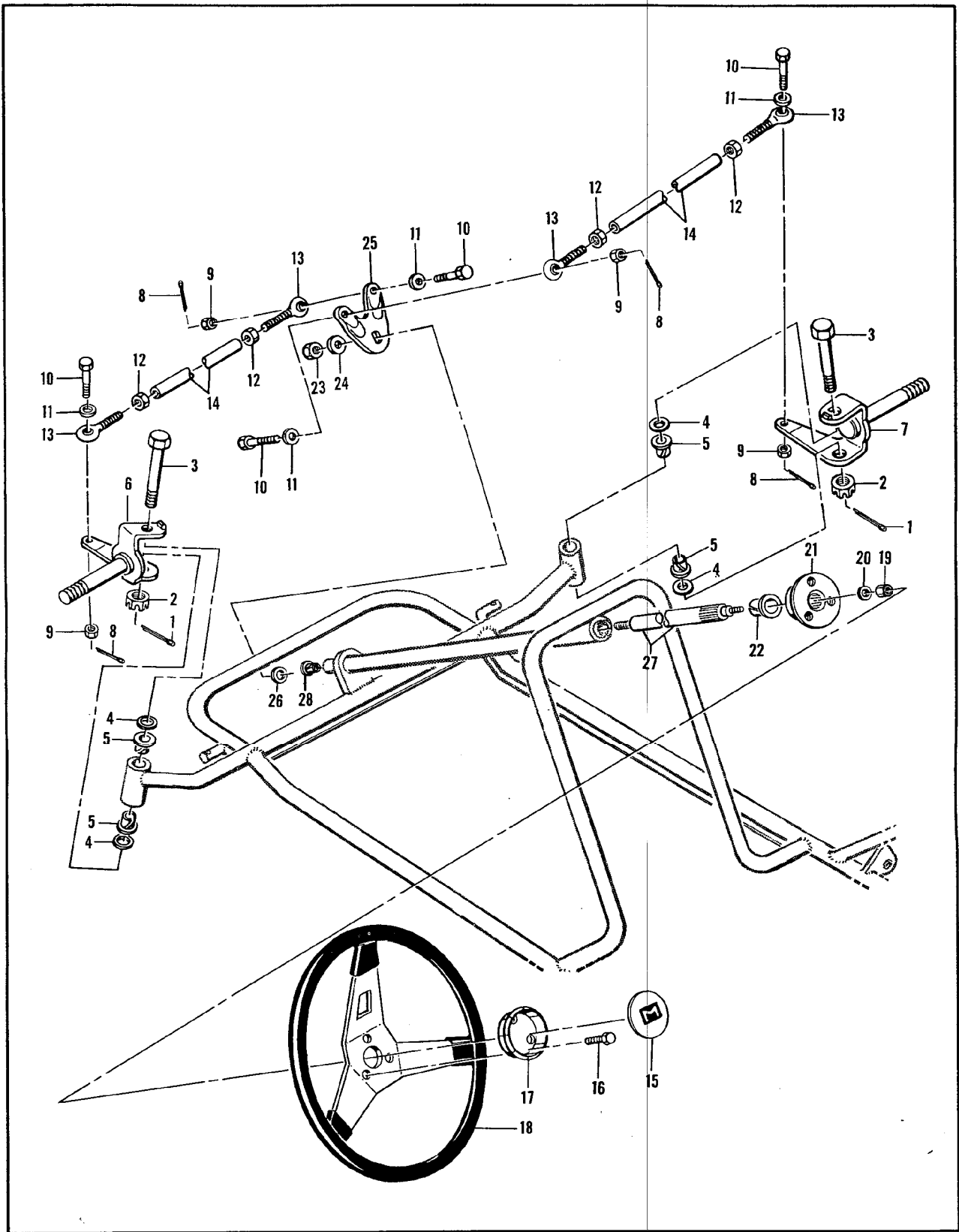


Figure 2. Front End Steering

FIGURE 2 FRONT END STEERING

Index No.	Part Number	Nomenclature	Units Per Assy
1	103728	Pin - Cotter	2
2	104539	Nut - Castle 1/2-20	2
3	13248	Pin - King	2
4	13670	Shim - .010 inch	As Req'd
5	104524	Bearing - Nyliner	4
6	13594	Spindle Assy - Left hand	1
7	13595	Spindle Assy - Right hand	1
8	105595	Pin - Cotter	4
9	100640	Nut - Lock 1/4-28	4
10	13249	Screw - Special	4
11	100311	Washer - 1/4 plain	4
12	105380	Nut - Hex 3/8-24	4
13	104527 ✓	End - Tie rod	4
14	13242	Rod - Tie	2
15	13299	Medallion - Kart	1
16	104823	Screw - Hex hd 1/4-20 x 5/8 in. lg	3
17	13298	Holder - Medallion	1
18	13297A	Wheel Assy - Steering	1
19	103746	Nut - 3/8-24	1
20	104822	Washer - Special	1
21	13888	Flange - Steering	1
22	104530	Bearing - Nyliner	1
23	105740	Nut - Hex 5/8-18	1
24	13485	Plate - Lock	1
25	13167	Arm - Steering	1
26	13669	Washer - Special	1
27	13889	Shaft - Steering	1
28	104531	Bearing - Nyliner	1

-2.75
1.05

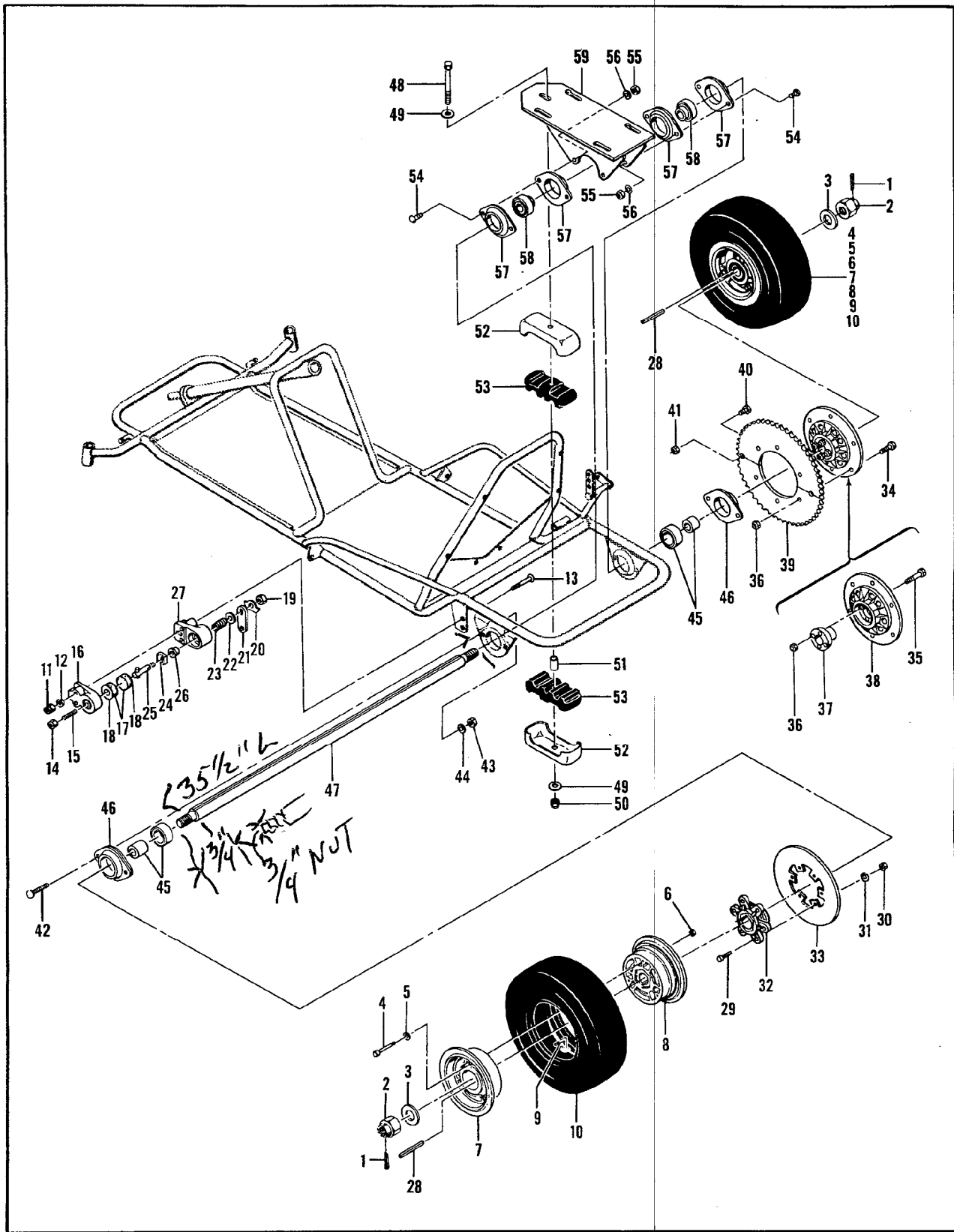


Figure 3. Rear Unit Components

FIGURE 3 REAR UNIT COMPONENTS

Index No.	Part Number	Nomenclature	Units Per Assy
1	100888	Pin - Cotter	2
2	104754	Nut - Hex 3/4-16	2
3	100607	Washer - Plain 3/4 in.	2
4	13402	Screw - Special	6
5	24236	Washer - Special	6
6	101337	Nut - Hex 10-32	6
7	13209	Wheel - Outer	2
8	13208	Wheel - Inner	2
9	13641	Tube - Rear	2
10	13546	Tire - Rear 11 inch slick	2
	13720A	Brake Assy - Complete	1
11	100682	. Nut - Hex 5/16-24	2
12	100271	. Washer - Lock	2
13	104544	. Bolt - Special 5/16-24 x 3-1/5 in. lg	2
14	101956	. Nut - Hex 1/2-13	1
15	104752	. Screw - Set 1/2-13 x 1-1/4 in. lg	1
16	13724	. Housing - Disc	1
17	13722	. Disc - Friction	2
18	13723	. Plate - Disc	2
19	100682	. Nut - Hex 5/16-24	1
20	13685	. Washer - Special	1
21	13301	. Arm - Lever	1
22	100593	. Washer - Plain 7/16 in.	1
23	13289	. Spring - Brake	1
24	13291	. Cam - Actuating	1
25	13725	. Shaft Assy - Brake	1
26	104533	. Bearing - Nyloner	1
27	13285A	. Housing - Brake actuating	1
28	13539	Key - Wheel brake hub 6 in. lg	2
	13322	Brake Disc Assy	1
29	104738	. Screw - Hex hd 10-24 x 1/2 in. lg	6
30	101191	. Nut - Hex 10-24	6
31	101194	. Washer - Lock	6
32	13323	. Hub - Brake	1
33	13324	. Disc - Brake	1
34	103280	Bolt - Hex hd 1/4-28 x 5/8 in. lg	6
35	103284	Bolt - Hex hd 1/4-28 x 1-1/2 in. lg	4
36	100640	Nut - Lock 1/4-28	10
37	13872	Cone - Sprocket hub	1
38	13873	Hub - Sprocket	1
39	13277	Sprocket Assy - 80 tooth	1
40	104775	. Screw - Hex hd 1/4-28 x 5/16 inch	2
41	100640	. Nut - Lock 1/4-28	2
42	101394	Bolt - Carriage 5/16-18 x 3/4 in. lg	4
43	101330	Nut - Hex 5/16-18	4
44	100440	Washer - Plain 5/16 in.	4
45	104528	Bearing - Ball and adaptor	2
46	104529	Flange - Bearing	2
47	13689	Axle - Rear	1
	13917	Engine Mount - Swing	1
48	104540	. Bolt - Hex hd 3/8-24 x 3 in. lg	1
49	104822	. Washer - 3/8	2
50	101141	. Nut - Hex hd 3/8-24	1
51	13355	. Spacer	2
52	13176	. Housing - Shock mount	2
53	13216	. Mount - Rubber shock	2
54	101394	. Bolt - Carriage 5/16-18 x 3/4 in. lg	4
55	101330	. Nut - Hex hd 5/16-18	4
56	100440	. Washer - 5/16	4
57	104529	. Flange - Bearing	4
58	104528	. Bearing and adaptor	2
59	13916	. Mount Assy - Engine	1

4,50

595

1150

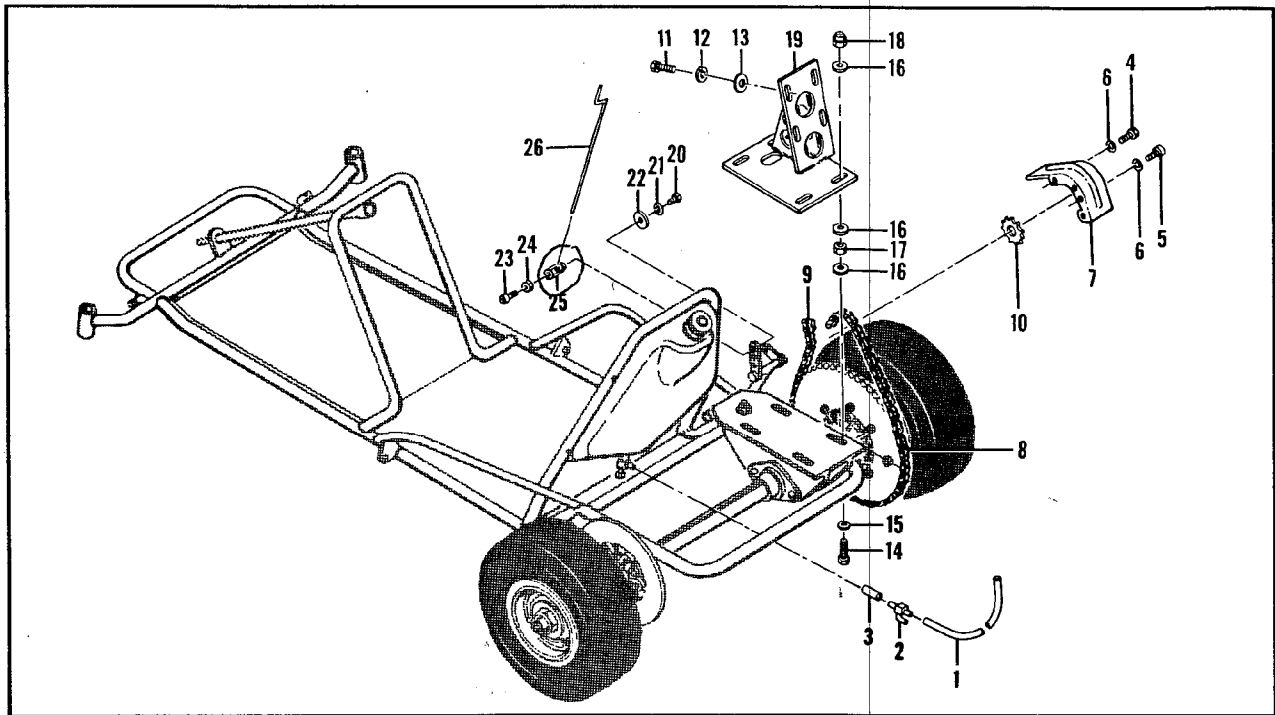


Figure 4. Engine Mounting Kit

FIGURE 4 ENGINE MOUNTING KIT

Index No.	Part Number	Nomenclature	Units Per Assy
	13350A	Kit - Engine mounting	1
1	13241	Hose - Fuel (long)	1
2	102429	Tee - Fitting	1
3	13395	Hose - Fuel (short)	1
4	100633	Screw - Socket hd 1/4-20 x 1/2 in. lg	1
5	105915	Screw - Hex hd 1/4-20 x 1/2 in. lg	1
6	100246	Washer - Lock 1/4 in.	2
7	13280	Guard Assy - Chain	1
8	13279	Kit - Kart chain	1
9	13325	Link - Master	1
10	48637	Sprocket - 10 tooth	1
11	103258	Screw - Hex hd 1/4-20 x 1-1/8 in. lg	4
12	100246	Washer - Lock 1/4 in.	4
13	13643	Washer - Special	4
14	102549	Screw - Socket hd 5/16-24 x 1-1/5 in. lg	4
15	13550	Washer - Special	4
16	13551	Washer - Special	12
17	101096	Nut - Jam 5/16-24	4
18	100682	Nut - Lock 5/16-24	4
19	13178A	Bracket Assy - Engine mount	1
20	100934	Screw - Rd hd 8-32 x 3/18 in. lg	1
21	105464	Washer - Lock	1
22	100376	Washer - No. 8 plain	1
23	104759	Screw - Socket hd 8-32 x 1/2 in. lg	1
24	105376	Nut - Hex 8-32	1
25	13354	Swivel	1
26	13266	Rod - Carburetor control	1
	104564	Wrench	1

\$1.00 EA