

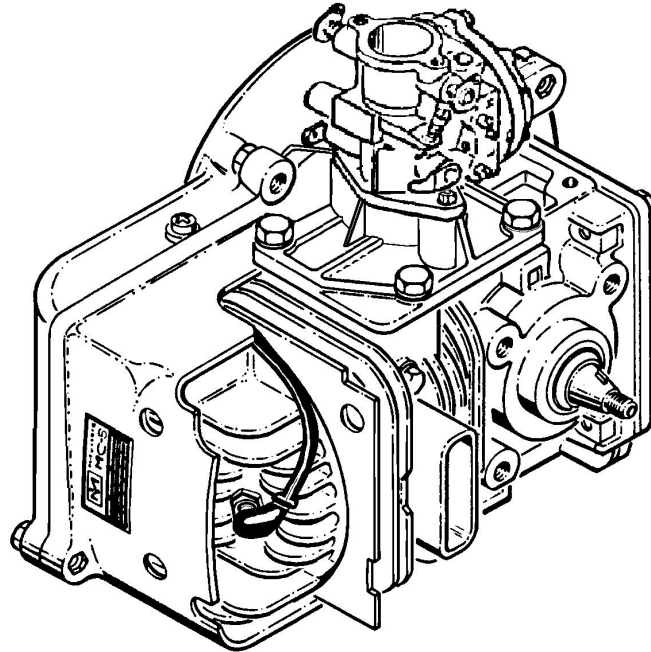
Kart Engine

Mc-5

Illustrated Parts List

Part No. 400144R

April 1960
Price \$7.50



The following pages contain an illustrated parts list for the Mc-5 'Standard' type Kart Engine. Due to small differences between engines, it is important that the Serial Number of your kart engine be included whenever spare parts are ordered. This will assure receiving the proper parts from McCulloch Racing Corporation.

The McCulloch Racing Corporation reserves the right to modify or change replacement part numbers without (1) prior notification or (2) obligation to back-fit or supply back-fit components for units previously shipped from McCulloch Racing Corporation.

This document, logos and all illustrated figures are copyright © 2000
McCulloch Racing Corporation, Las Vegas, Nevada, U.S.A.



| <u>Figure</u> | <u>Description</u> | <u>Page #</u> |
|---------------|---------------------------------------|---------------|
| Figure 1. | Engine Assy., Model Mc-5 Engine | 2 |
| Figure 2. | McCulloch Corp. Carburetor Assemblies | 4 |
| Figure 3. | Powerhead Assembly | 6 |
| | Overdose Piston & Accessory List | 8 |

This Illustrated Parts List is Part No. 48797B.

McCulloch Racing Corporation

P.O. Box 531351, Henderson, Nevada 89053-1351, U.S.A.

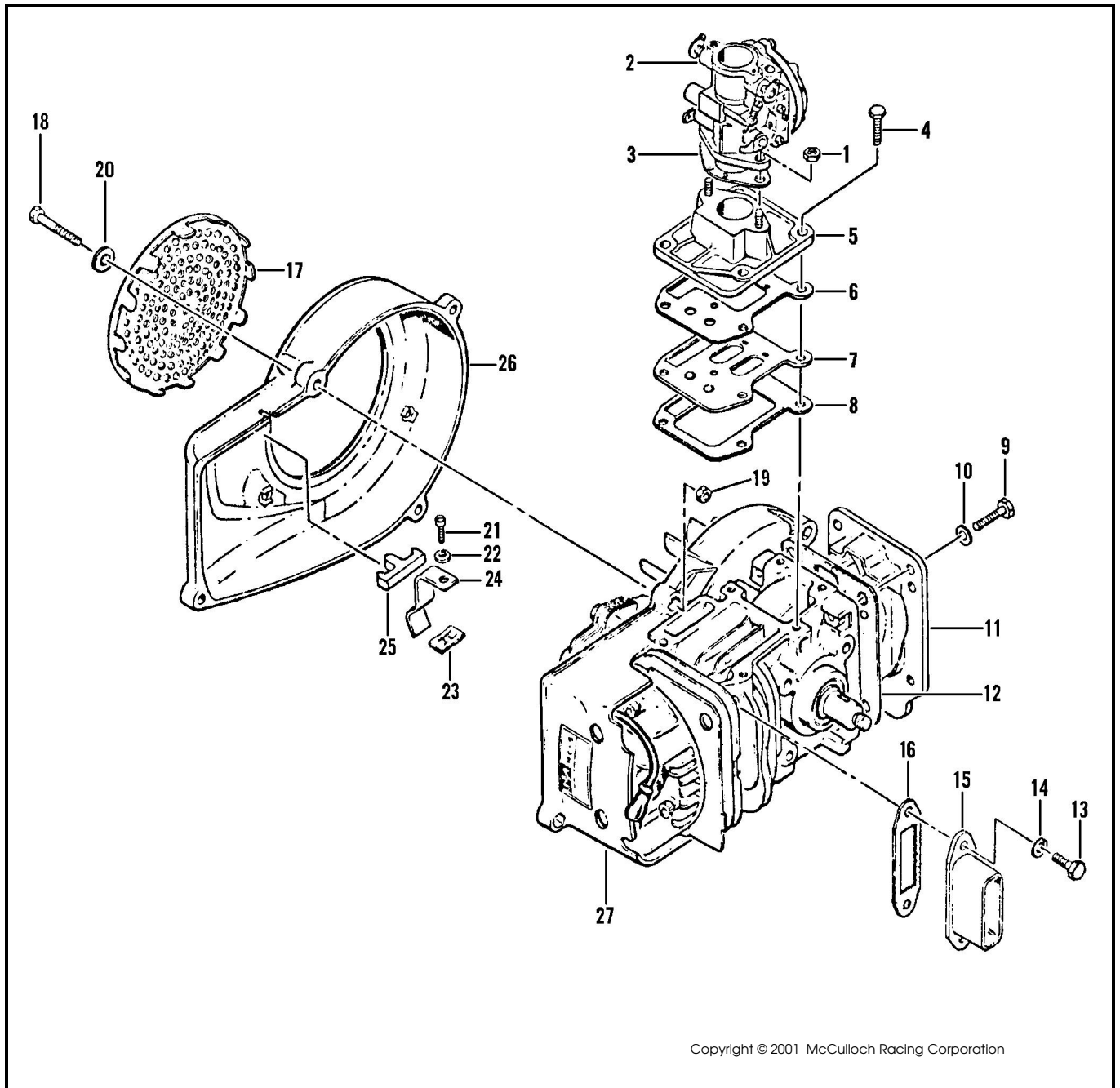
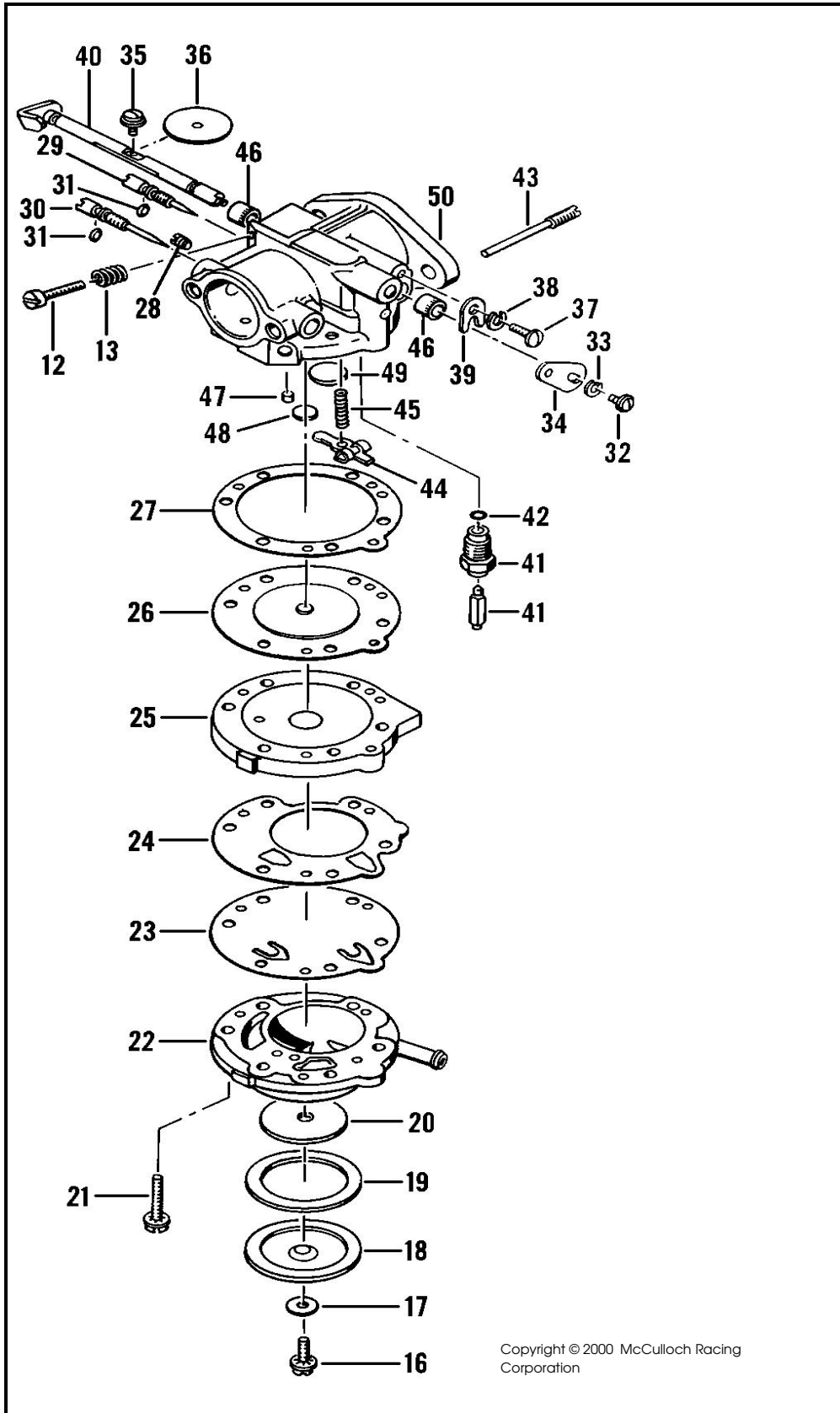


Figure 1. Engine Assembly, Model Mc-5 Engine

FIGURE 1. ENGINE ASSEMBLY, MODEL MC-5 ENGINE

| Index No. | Part Number | Description | Units Per Assy. |
|-----------|-------------|--|-----------------|
| 1 | 100248 | Nut – Hex ¼-28 | 2 |
| 2 | 48730 | Carburetor Assy..... | 1 |
| 3 | 51161B | Gasket – Carburetor (Use 65585 when depleted) | 1 |
| 4 | 103947 | Screw – Hex hd 10-24 x 1” lg (SEMS)..... | 4 |
| 5 | 48608 | Manifold Assy. – Intake | 1 |
| 6 | 48604 | Gasket – Intake Manifold | 1 |
| 7 | 48603 | Reed Valve – Plate Assy. | 1 |
| 8 | 48605 | Gasket – Reed Valve Plate | 1 |
| 9 | 100882 | Screw – Hex hd ¼-20 x ¾” lg | 4 |
| 10 | 100005 | Washer – Plain ¼”..... | 4 |
| 11 | 51789C | Bottom – Crankcase (Stuffer) | 1 |
| 12 | 48648 | Gasket – Crankcase Bottom (Stuffer) (Use 65654 when depleted)..... | 1 |
| 13 | 102388 | Screw – Hex hd 10-24 x 5/8” lg | 2 |
| 14 | 103100 | Lockwasher – No. 10 | 2 |
| 15 | 48609 | Header - Exhaust..... | 1 |
| 16 | 36093C | Gasket – Exhaust Header (Copper) | 1 |
| 17 | 51207 | Guard - Dirt..... | 1 |
| 18 | 102761 | Screw – Hex hd 10-24 x 7/8” lg | 4 |
| 19 | 101191 | Locknut – Hex 10-24..... | 2 |
| 20 | 102189 | Washer – Plain No. 10..... | 4 |
| | 50758 | Fan Housing Assy. | 1 |
| 21 | 101454 | -----Screw – Bind hd No. 8 x 3/8” lg | 1 |
| 22 | 100080 | ----- Washer – Plain No. 8 | 1 |
| 23 | 102399 | -----Speednut..... | 1 |
| 24 | 50818 | -----Spring – Ignition Switch..... | 1 |
| 25 | 50817 | -----Button – Ignition Switch..... | 1 |
| 26 | | -----Housing – Fan (Order Fan Housing Assy P/N 50758..... | 1 |
| 17 | | Powerhead Assy..... | 1 |



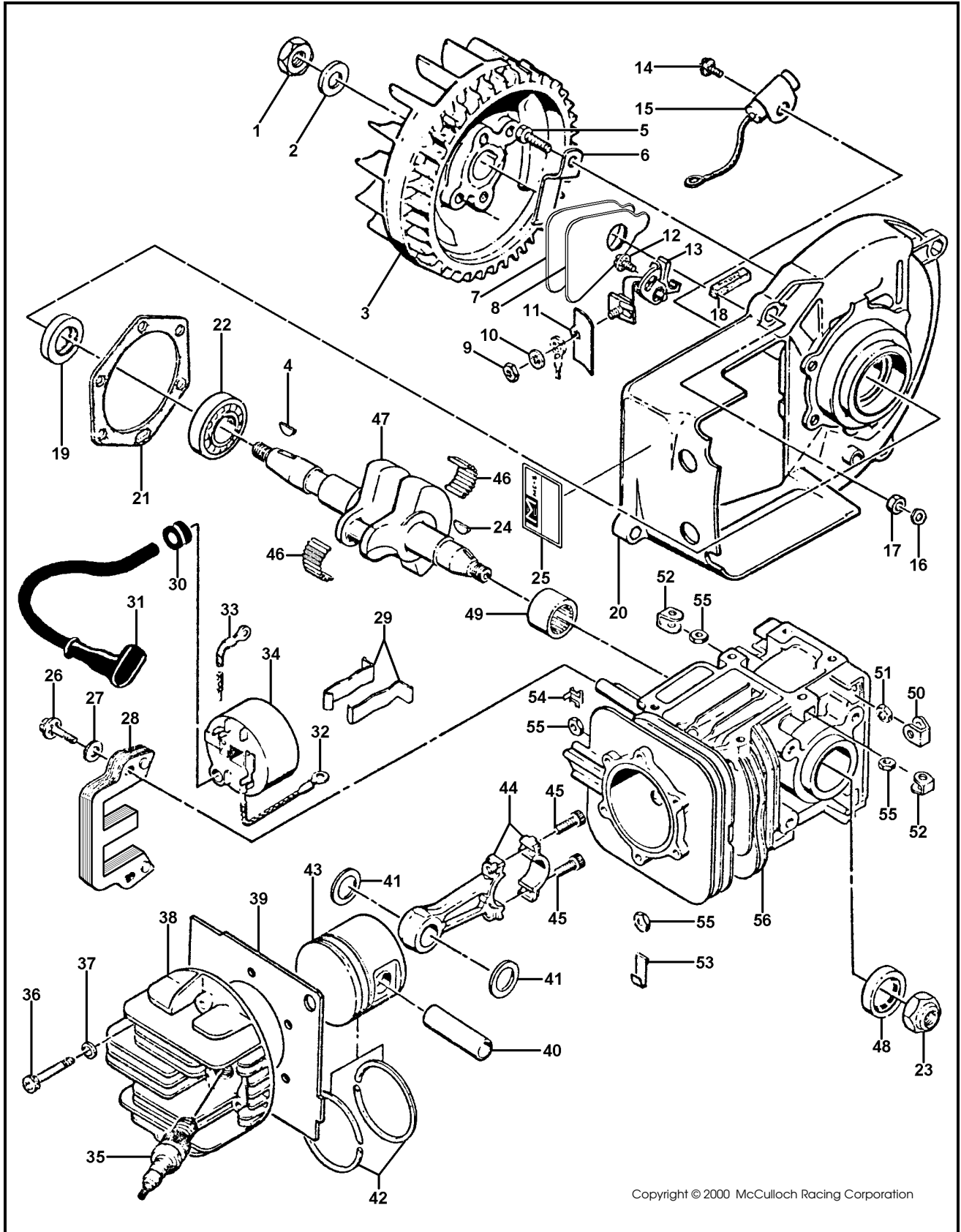
Copyright © 2000 McCulloch Racing Corporation

Figure 2. Carburetor Assy., Mc-5 Engine

FIGURE 2. CARBURETOR ASSEMBLY, MODEL 91044

| Index No. | Part Number | Description | Units Per Assy. |
|-----------|--------------|---|-----------------|
| | 48730 | Tillotson Carburetor Assy. – Model | 1 |
| 1 | 91167 | -----Screw – Skt Hd | 4 |
| 2 | 84941 | -----Body – Fuel Pump..... | 1 |
| 3 | 48911* | -----Filter – Fuel | 1 |
| 4 | 57274B* | -----Diaphragm Assy. – Fuel Pump..... | 1 |
| 5 | 69170 | -----Plate - Diaphragm | 1 |
| 6 | 89888* | -----Diaphragm – Metering | 1 |
| 7 | 53766R* | -----Valve – Check (Duckbill) | 1 |
| 8 | 55397 | -----Screw – Idle Speed | 1 |
| 9 | 51705 | -----Spring – Idle Screw | 1 |
| 10 | 104814 | -----Screw – Pan Hd | 2 |
| 11 | 50701A | -----Arm – Throttle Shaft | 1 |
| 12 | 65935* | -----Spring – Throttle Return..... | 1 |
| 13 | 110055 | -----Screw – Fil Hd..... | 1 |
| 14 | 55082 | -----Clip – Throttle Shaft. | 1 |
| 15 | 65934 | -----Plate - Throttle..... | 1 |
| 16 | 65932 | -----Shaft Assy. - Throttle..... | 1 |
| 17 | 84940 | -----Needle Assy. – High Speed Adjustment..... | 1 |
| 18 | 67502 | -----Spring - Needle | 2 |
| 19 | 52937 | -----Washer - Packing..... | 2 |
| 20 | 88106* | -----Ring – Packing | 2 |
| 21 | 84939 | -----Needle Assy. – Idle Adjustment | 1 |
| 22 | 101796 | -----Pin – Choke Plate | 1 |
| 23 | 48827 | -----Plug – Choke shaft bore..... | 2 |
| 24 | 55062A | -----Bushing - Body..... | 2 |
| 25 | 104728 | -----Screw – Lever Pin | 1 |
| 26 | 104305 | -----Pin – Lever | 1 |
| 27 | 84317 | -----Lever – Inlet | 1 |
| 28 | 57172 | -----Spring – Lever | 1 |
| 29 | 83753 | -----Needle – Inlet Valve | 1 |
| 30 | 84942 | -----Screw – Circuit Plate..... | 3 |
| 31 | 84938 | -----Plate – Circuit | 1 |
| 32 | 84944* | -----Diaphragm – Check Valve..... | 1 |
| 33 | 84945* | -----Gasket – Circuit Plate..... | 1 |
| 34 | 84946* | -----Gasket – Circuit Plate..... | 1 |

* Denotes the part is included in the carburetor rebuild kit, Part Number KIT-092R-C



Copyright © 2000 McCulloch Racing Corporation

Figure 3. Mc-5 Powerhead Assy.

Powerhead Assembly, Model Mc-5 Engine

| Index No. | Part Number | Description | Units Per Assy. |
|-----------|-------------|--|-----------------|
| 1 | 101179 | Nut – Hex 7/16-20 | 1 |
| 2 | 101270 | Washer – Special | 1 |
| 3 | 50003A | Flywheel Assy. (Use 68281 when depleted) | 1 |
| 4 | 100199 | Key – Woodruff #3..... | 1 |
| 5 | 55494 | Sealing Screw – Hex hd 10-24 x ¾” lg..... | 6 |
| 6 | 50671 | Retainer – Breaker Box Cover | 1 |
| 7 | 50588 | Cover – Breaker Box | 1 |
| 8 | 50589 | Gasket – Breaker Box..... | 1 |
| 9 | 100251 | Nut – Hex 8-32 | 1 |
| 10 | 100057 | Lockwasher – Internal No. 8..... | 1 |
| 11 | 50381 | Insulator – Breaker Terminal | 2 |
| 12 | 103672 | Screw – Fil Hd (SEMS) 8-32 x ½” lg..... | 1 |
| 13 | 50076A | Breaker Assy. (Use 88806 when depleted) | 1 |
| 14 | 103672 | Screw – Fil Hd (SEMS) 8-32 x ½” lg..... | 1 |
| 15 | 50074 | Condenser | 1 |
| | 50757 | Crankcase Cover Assy. | 1 |
| 16 | 28935 | -----Retainer – Crankcase cover nut..... | 2 |
| 17 | 101191 | -----Locknut – Hex 10-24 | 2 |
| 18 | 54134 | -----Wiper – Crankcase cover felt | 1 |
| 19 | 50663 | -----Seal – Oil (Crankcase) | 1 |
| 20 | | -----Cover – Crankcase (Order Cover Assy. 50757)..... | 1 |
| 21 | 51240 | Gasket – Crankcase Cover..... | 1 |
| 22 | 100824 | Bearing Ball | 1 |
| 23 | 103746 | Locknut – Hex 3/8-24..... | 1 |
| 24 | 100199 | Key – Woodruff No. 3 | 1 |
| 25 | 48702 | Nameplate | 1 |
| 26 | 104138 | Screw – Hex hd 10-24 x 7/8” lg (SEMS) | 2 |
| 27 | 102189 | Washer – Plain No. 10..... | 2 |
| 28 | 51251 | Lamination Assy | 1 |
| 29 | 51253 | Retainer Coil..... | 1 |
| | 50121 | Coil and Terminal Assy..... | 1 |
| 30 | 100268 | -----Grommet | 1 |
| 31 | 50120 | -----Spark Plug Wire Assy..... | 1 |
| 32 | 101883 | -----Wire – Assy. Ground | 1 |
| 33 | 50137 | -----Primary Wire Assy..... | 1 |
| 34 | | -----Coil Assy. (Order Coil and Terminal Assy 50121) | 1 |
| 35 | | Spark Plug – 14mm 0.472” reach | 1 |
| 36 | 101563 | Screw – Skt Hd 10-24 x 1-1/4” lg..... | 1 |
| 37 | 24236 | Washer - Special | 1 |
| 38 | 55146A | Head – Cylinder..... | 1 |
| 39 | 55012B | Gasket - Cylinder Head | 1 |
| 40 | 57198 | Pin – Piston | 1 |
| 41 | 51209 | Washer - Thrust | 2 |
| | 55007A | Piston Assy..... | 1 |
| 42 | 55123 | -----Ring Set – Piston, (Two rings – top ring chrome)..... | 1 |
| 43 | | -----Piston (Order Piston Assy P/N 55007). | 1 |
| 44 | 55009 | Connecting Rod Assy. | 1 |
| 45 | 101356 | -----Screw – Skt Hd. Special 10-32 x 5/8” lg..... | 2 |
| 46 | 102742 | -----Roller – Needle | 24 |
| 47 | 50756 | Crankshaft | 1 |
| | 48701 | Crankcase Assy. | 1 |
| 48 | 104128 | -----Seal – Oil | 1 |
| 49 | 104129 | -----Bearing – Needle | 1 |
| 50 | 18556A | -----Retainer – Nut | 4 |
| 51 | 101143 | -----Nut – Hex | 4 |
| 52 | 28053 | -----Retainer – Nut | 2 |
| 53 | 57063 | -----Retainer – Nut | 4 |
| 54 | 104255 | -----Retainer – Nut | 2 |
| 55 | 101326 | -----Nut – Hex | 8 |
| 56 | | Crankcase (Order Crankcase Assy. P/N 48701) | 1 |

OVERSIZED PISTON ASSEMBLY AND ACCESSORIES

| Part Number | Description |
|--------------------|--|
| 48845 | Piston Assy. - +0.010 inch oversize |
| 48846 | Piston Assy. - +0.020 inch oversize |
| 48847 | Piston Assy. - +0.030 inch oversize |
| 59582 | Piston Assy. - +0.040 inch oversize |
| 59583 | Piston Assy. - +0.050 inch oversize |
| 48692 | Ring Set – Piston +0.010 inch oversize, chrome |
| 48693 | Ring Set – Piston +0.020 inch oversize, chrome |
| 48694 | Ring Set – Piston +0.030 inch oversize, chrome |
| 48978 | Ring Set – Piston +0.040 inch oversize, chrome |
| 48934 | Ring Set – Piston +0.050 inch oversize, chrome |
| 47903 | Rod Assy. – Special strength and bottom oiling |
| 84916 | Sparkplug – Champion L87R |
| 84917 | Sparkplug – Champion L84R |
| 86419 | Tool – Timing Guide |
| 13639A | Clutch, Drum, Bearing and Sprocket Assy. – 10 Tooth, #35 Chain |
| 13638A | Clutch, Drum, Bearing and Sprocket Assy. – 11 Tooth, #35 Chain |
| 13637A | Clutch, Drum, Bearing and Sprocket Assy. – 12 Tooth, #35 Chain |
| 48736A | Drum, Bearing and Sprocket Assy. – 10 Tooth, #35 Chain |
| 48734A | Drum, Bearing and Sprocket Assy. – 11 Tooth, #35 Chain |
| 48714A | Drum, Bearing and Sprocket Assy. – 12 Tooth, #35 Chain |
| 104460 | ----- Bearing – Clutch Drum |
| 48737 | ----- Spacer – Sprocket |
| 48637 | Sprocket – 10 tooth #35 Chain |
| 48638 | Sprocket – 11 tooth #35 Chain |
| 48639 | Sprocket – 12 tooth #35 Chain |
| 48712A | Clutch Assy. – Dry |
| 14317 | Kit – Muffler |
| 48711D | Kit – Starter, Recoil |
| 48663 | Kit – Starter, Pawl |
| 13178A | Kit – Engine Mounting |
| 13598 | Carburetor Inlet Stack |

All line drawings and logos are Copyright © 2001, McCulloch Racing Corporation, Las Vegas, Nevada, U.S.A. Any reproduction of this document, its line drawings, illustrations or logos without the express written consent of McCulloch Racing Corporation is illegal and is punishable under International Copyright Agreements. If you would like to reproduce this document for your own use, please contact McCulloch Racing Corp. by writing to:

McCulloch Racing Corp., Legal Department, P.O. Box 531351, Henderson, NV 89053-1351 U.S.A.

Or emailing to info@mccullochracing.com. McCulloch Racing Corp. is the sole owner of the following copyrighted symbols and or logos:

