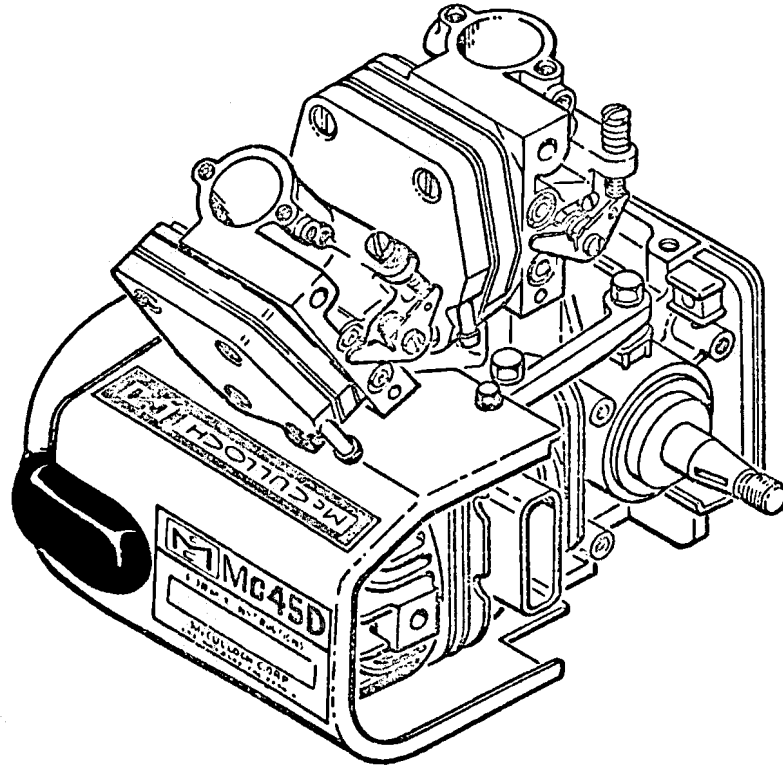


# Kart Engine

# Mc-45D

Illustrated Parts List<sup>Part No. 400157DR</sup>

August 1964  
Price \$ 7.50



The following pages contain an illustrated parts list for the Mc-45D 'Super' type Kart Engine. Due to small differences between engines, it is important that the Serial Number of your kart engine be included whenever spare parts are ordered. This will assure receiving the proper parts from McCulloch Racing Corporation.

The McCulloch Racing Corporation reserves the right to modify or change replacement part numbers without (1) prior notification or (2) obligation to back-fit or supply back-fit components for units previously shipped from McCulloch Racing Corporation.

This document, logos and all illustrated figures are copyright © 2000-2002 McCulloch Racing Corporation. Las Vegas, Nevada, U.S.A.



©

| Figure    | Description                           | Page # |
|-----------|---------------------------------------|--------|
| Figure 1. | Engine Assembly, Model Mc-45D Engine  | 2      |
| Figure 2. | McCulloch Corp. Carburetor Assemblies | 4      |
| Figure 3. | Powerhead Assembly                    | 6      |
|           | Oversize Piston List                  | 8      |

This Illustrated Parts List is Part No. 47918.

## McCulloch Racing Corporation

P.O. Box 531351, Henderson, Nevada 89053-1351 U.S.A. Tel.: (702)  
277-1894

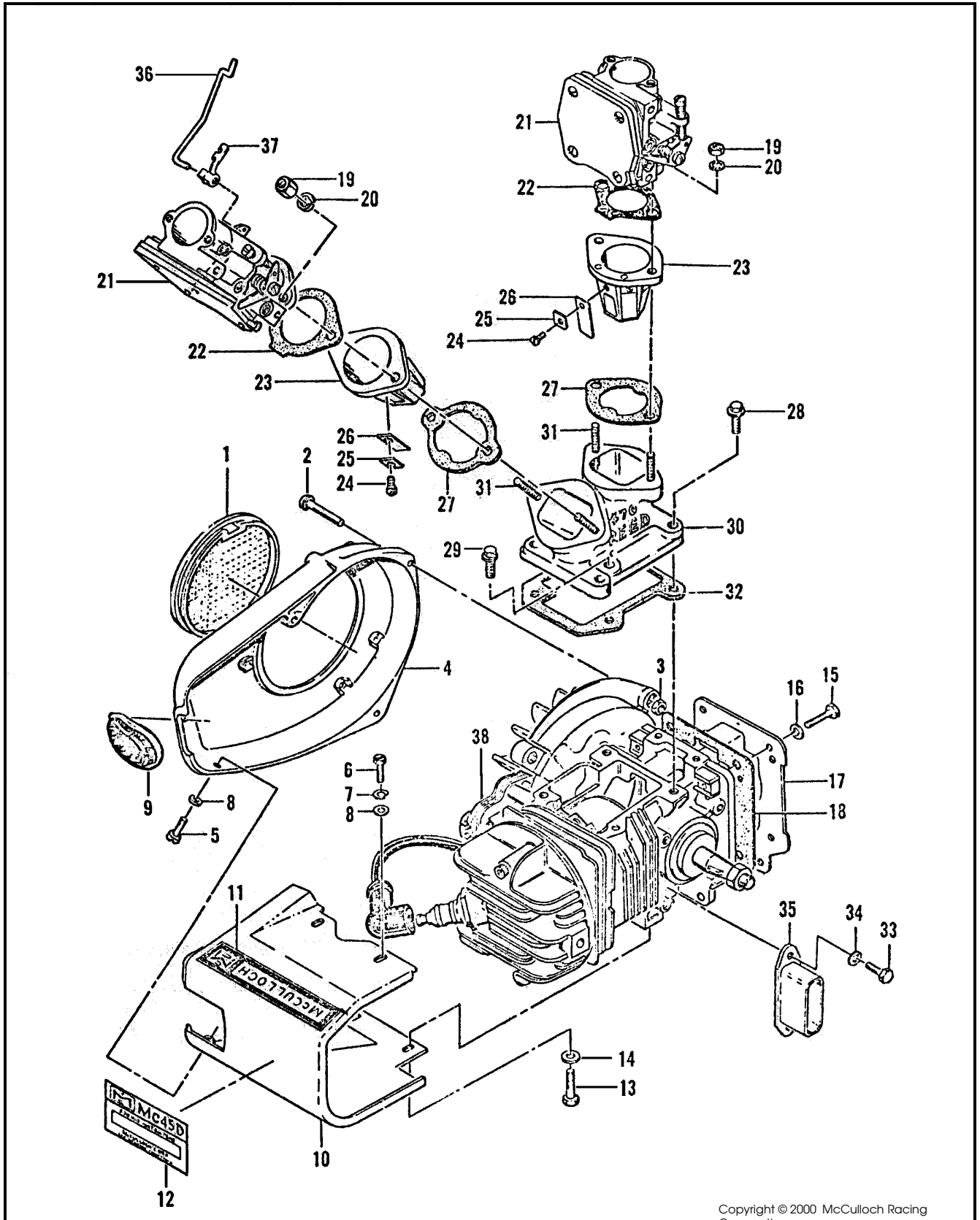
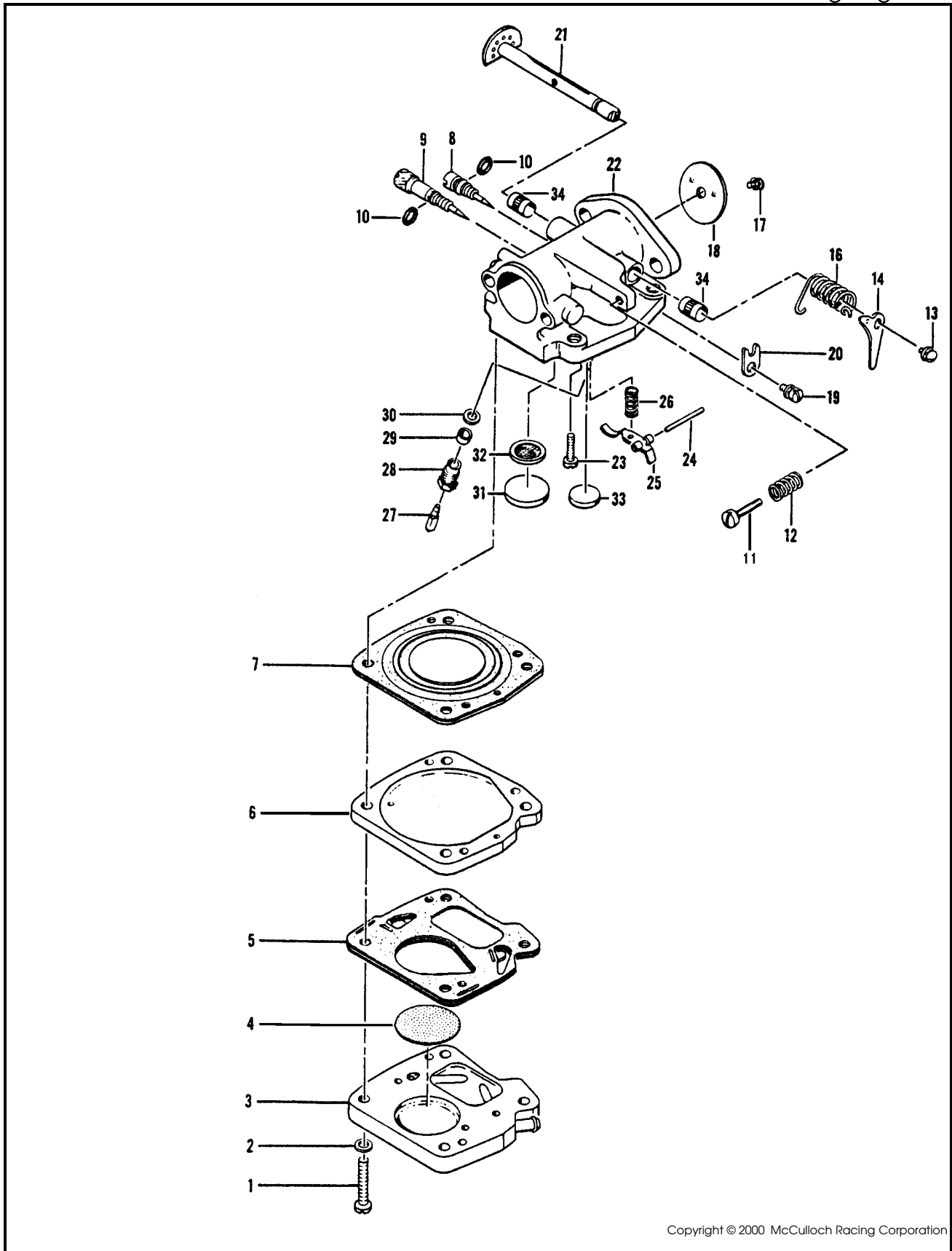


Figure 1. Engine Assembly, Model Mc-45D Engine

FIGURE 1. ENGINE ASSEMBLY, MODEL MC 45D ENGINE

| Index No. | Part Number | Description                                   | Units Per Assy. |
|-----------|-------------|---|-----------------|
| 1         | 55615       | Guard- .....                                  | 1               |
| 2         | 104816      | Screw – 10-24 x 1 ¼ in. lg (SEMS).....        | 3               |
| 3         | 101191      | Nut – Hex 10-24 .....                         | 2               |
| 4         | 48864       | Housing, Fan .....                            | 1               |
| 5         | 102500      | Screw – Pan Hd 10-24 x ½ in. lg .....         | 1               |
| 6         | 102762      | Screw – Hex Hd 10-24 x ½ in. lg .....         | 1               |
| 7         | 101194      | Lockwasher - #10 .....                        | 3               |
| 8         | 100002      | Washer – Plain #10 .....                      | 2               |
| 9         | 57565       | Cover Assy. – Spark Plug.....                 | 1               |
| 10        | 47904       | Shroud – Cylinder.....                        | 1               |
| 11        | 48588       | -----Nameplate.....                           | 1               |
| 12        | 47883       | Nameplate .....                               | 1               |
| 13        | 100732      | Screw – Hex Hd ¼-20 x 5/8 in. lg .....        | 2               |
| 14        | 100005      | Washer, Plain ¼ in.....                       | 2               |
| 15        | 101982      | Screw – Hex Hd ¼-20 x 1 in. lg .....          | 4               |
| 16        | 100311      | Washer – Plain ¼ in.....                      | 4               |
| 17        | 58139A      | Cover – Crankcase bottom (Stuffer) .....      | 1               |
| 18        | 48909A      | Gasket – Crankcase bottom cover .....         | 1               |
| 19        | 100248      | Nut – Hex ¼-28 .....                          | 4               |
| 20        | 100153      | Lockwasher – ¼ in.....                        | 4               |
| 21        |             | Carburetor Assy. (See Figure 2).....          | 2               |
| 22        | 55161D      | Gasket – Carburetor .....                     | 2               |
| 23        | 47843       | Valve Assy. – Pyramid reed.....               | 2               |
| 24        | 47907       | -----Screw – Bind Hd 4-40 x 1/8 in lg .....   | 6               |
| 25        | 47846       | -----Plate – Clamp.....                       | 6               |
| 26        | 47845       | -----Valve – Reed.....                        | 6               |
| 27        | 47869       | Gasket – Reed Valve.....                      | 2               |
| 28        | 103947      | Screw – Hex Hd 10-24 x 1 in. lg (SEMS).....   | 3               |
| 29        | 104815      | Screw – Hex Hd 10-24 x 7/8 in. lg (SEMS)..... | 1               |
| 30        | 47916       | Manifold Assy. – Carburetor .....             | 1               |
| 31        | 47868       | -----Stud – Manifold .....                    | 4               |
| 32        | 47870       | Gasket – Manifold.....                        | 1               |
| 33        | 102388      | Screw – Hex Hd 10-24 x 5/8 in. lg .....       | 2               |
| 34        | 103100      | Lockwasher - #10 int.....                     | 2               |
| 35        | 48609       | Header – Exhaust.....                         | 1               |
| 36        | 200243      | Rod – Throttle.....                           | 1               |
| 37        | 59159       | Clip – Throttle Rod.....                      | 1               |
| 38        |             | Powerhead (Crankcase) – See Figure 3.....     | 1               |

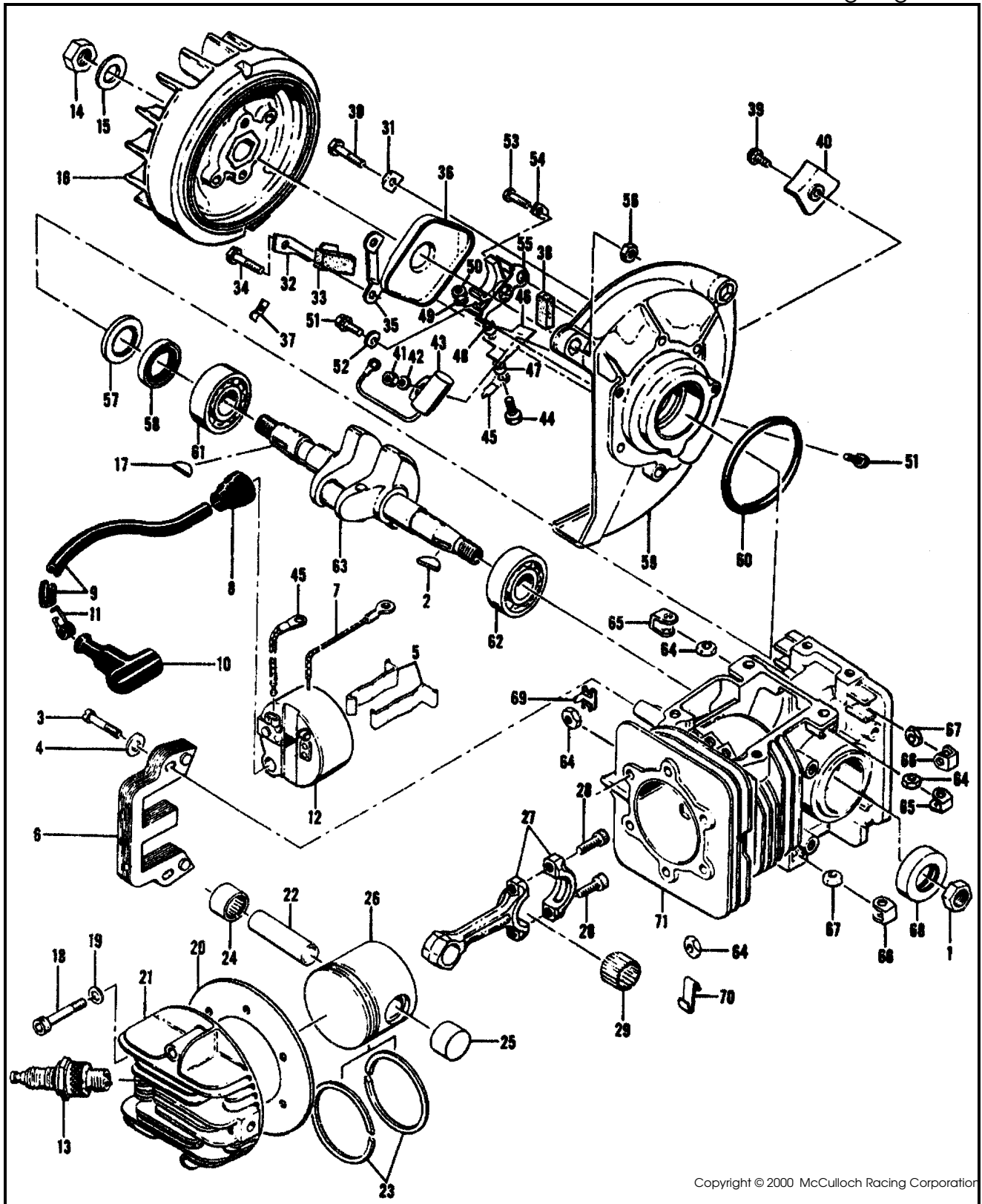


Copyright © 2000 McCulloch Racing Corporation

Figure 1. McCulloch Carburetor Assemblies

FIGURE 2. McCULLOCH CARBURETOR ASSEMBLIES

| Index No. | Part Number   | Description   | Units Per Assy. |
|-----------|---------------|---|-----------------|
|           | <b>48890B</b> | <b>Carburetor Assembly</b> .....                    | <b>2</b>        |
| 1         | 104520        | -----Screw – Pan Hd 10-24 x 7/8 in. lg (SEMS) ..... | 4               |
| 2         | 102189        | -----Washer – Plain #10.....                        | 4               |
| 3         | 48897         | -----Body Assy – Fuel Pump.....                     | 1               |
| 4         | 48911         | -----Filter – Fuel Pump.....                        | 1               |
| 5         | 57274B        | -----Diaphragm – Fuel Pump .....                    | 1               |
| 6         | 48901         | -----Plate – Diaphragm .....                        | 1               |
| 7         | 55067C        | -----Diaphragm – Carburetor.....                    | 1               |
| 8         | 55090         | -----Needle – Idle adjusting.....                   | 1               |
| 9         | 48810         | -----Needle – Main adusting.....                    | 1               |
| 10        | 104001        | -----“O” Ring.....                                  | 2               |
| 11        | 55397         | -----Screw – Idle Speed .....                       | 1               |
| 12        | 51705         | -----Spring – Idle speed screw.....                 | 1               |
| 13        | 104814        | -----Screw – Pan Hd 4-40 x ¼ in. lg (SEMS) .....    | 1               |
| 14        | 50701A        | -----Arm – Throttle Shaft.....                      | 1               |
| 15        |               | DELIBERATELY LEFT BLANK .....                       | 0               |
| 16        | 48820         | -----Spring – Throttle Return.....                  | 1               |
| 17        | 104814        | -----Screw – Pan Hd 4-40 x ¼ in. lg (SEMS) .....    | 1               |
| 18        | 55085         | -----Plate – Throttle.....                          | 1               |
| 19        | 110055        | -----Screw – Fil Hd 8-32 x 3/8 in. lg (SEMS).....   | 1               |
| 20        | 55082         | -----Clip – Shaft.....                              | 1               |
| 21        | 48818A        | -----Shaft Assy – Throttle.....                     | 1               |
| 22        | 48907B        | -----Body Assy. – Carburetor .....                  | 1               |
| 23        | 104164        | -----Screw – Pan Hd 4-40 x ¼ in. lg.....            | 1               |
| 24        | 104305        | -----Pin – Inlet Lever.....                         | 1               |
| 25        | 55688         | -----Lever – Inlet Control.....                     | 1               |
| 26        | 57172         | -----Spring – Inlet Control .....                   | 1               |
| 27        | 59710         | -----Valve – Needle.....                            | 1               |
| 28        | 58969         | -----Body – Needle Valve .....                      | 1               |
| 29        | 59480         | -----Seat – Needle .....                            | 1               |
| 30        | 55689         | -----Washer – Valve.....                            | 1               |
| 31        | 104407        | -----Plug – Expansion 1 in .....                    | 1               |
| 32        | 55690B        | -----Seal – Capillary.....                          | 1               |
| 33        | 102758A       | -----Plug – Expansion ½ in .....                    | 1               |
| 34        | 55062A        | -----Bushing – Body.....                            | 2               |



Copyright © 2000 McCulloch Racing Corporation

Figure 3. Powerhead Assembly (Crankcase)

| Index No. | Part Number | Description  | Units Per Assy. |
|-----------|-------------|--|-----------------|
| 1         | 103746      | Nut – Hex 3/8-24 .....                                       | 1               |
| 2         | 103879      | Key – Woodruf.....   | 1               |
| 3         | 101965      | Screw – Fil Hd 10-24 x 7/8 in lg (SEMS) .....                | 2               |
| 4         | 100003      | Washer – Plain #10 .....                                     | 2               |
| 5         | 51253       | Retainer – Coil.....   | 2               |
| 6         | 51251       | Lamination Assy. – Coil .....                                | 1               |
|           | 55945A      | Coil and Terminal Assy.....                                  | 1               |
| 7         | 101883      | -----Wire Assy. – Ground.....                                | 1               |
| 8         | 55617       | -----Nipple – Spark Plug Wire .....                          | 1               |
| 9         | 52547       | -----Wire Assy. – Spark Plug.....                            | 1               |
| 10        | 55060       | -----Boot- Spark Plug.....                                   | 1               |
| 11        | 55061       | -----Connector – Spark Plug.....                             | 1               |
| 12        |             | -----Coil Assy. (Order Coil and Terminal Assy # 55949A)..... | 1               |
| 13        |             | Spark Plug – 14mm .....                                      | 1               |
| 14        | 101179      | Nut – Hex 7/16 – 20.....                                     | 1               |
| 15        | 101270      | Washer – Plain 7/16 in.....                                  | 1               |
| 16        | 47880A      | Flywheel Assembly.....                                       | 1               |
| 17        | 103879      | Key – Woodruf .....  | 1               |
| 18        | 104534      | Screw – Skt Hd 10-24 x 1 13/32 in. lg.....                   | 6               |
| 19        | 24236       | Washer – Special .....                                       | 6               |
| 20        | 47835       | Gasket – Cylinder Head.....                                  | 1               |
| 21        | 48903A      | Head – Cylinder.....   | 1               |
| 22        | 58132       | Pin – Piston (wristpin).....                                 | 1               |
|           | 47765       | Piston Assy. – Standard size .....                           | 1               |
| 23        | 47767       | -----Ring Set – Piston standard size .....                   | 1               |
| 24        | 101206      | -----Bearing – Needle .....                                  | 1               |
| 25        | 104378      | -----Bearing – Needle (Closed end) .....                     | 1               |
| 26        |             | -----Piston (Order Piston Assy. 47765) .....                 | 1               |
| 27        | 47903       | Connecting Rod Assy .....                                    | 1               |
| 28        | 60210A      | -----Screw – Skt Hd 10-32 x 5/8 in lg (Rod Bolt) .....       | 2               |
| 29        | 102742      | -----Roller - Needle .....                                   | 24              |
| 30        | 102763      | Screw – Hex Hd 10-24 x 3/4 in lg .....                       | 2               |
| 31        | 36388       | Plate – Lock.....  | 1               |
| 32        | 57815       | Strap – Seal.....  | 1               |
| 33        | 50664       | Seal – Breaker box drain .....                               | 1               |
| 34        | 102763      | Screw – Hex Hd 10-24 x 3/5 in. lg .....                      | 4               |
| 35        | 55977       | Clip – Breaker box cover .....                               | 2               |
| 36        | 55766B      | Cover and Gasket Assy – Breaker Box .....                    | 1               |
| 37        | 104230      | Speednut .....   | 1               |
| 38        | 54184       | Wiper – Felt .....   | 1               |
| 39        | 110055      | Screw – Fil Hd 8-32 x 3/8 in. lg.....                        | 1               |
| 40        | 57829       | Clamp – Ignition wire .....                                  | 1               |
| 41        | 100955      | Nut – Hex Hd 8-32.....                                       | 1               |
| 42        | 100080      | Washer – Plain #8 .....                                      | 1               |
| 43        | 50074       | Condensor .....  | 1               |
| 44        | 103748      | Screw – Hex Hd 8-32 x 1/2 in. lg .....                       | 1               |
| 45        | 57766       | Wire Assy. – Primary .....                                   | 1               |
| 46        | 55782       | Insulator.....   | 1               |
| 47        | 57769       | Insulator – Ignition Screw .....                             | 1               |
| 48        | 57770A      | Insulator – Breaker Spring .....                             | 1               |
| 49        | 104553      | Washer – Lock #8.....  | 1               |
| 50        | 104551      | Nut – Hex Hd 8-32.....                                       | 1               |
| 51        | 104733      | Screw – Fil Hd 8-32 x 1/2 in. lg (SEMS) .....                | 2               |
| 52        | 55778C      | Washer – Special .....                                       | 1               |
| 53        | 104733      | Screw – Fil Hd 8-32 x 1/2 in. lg (SEMS) .....                | 1               |
| 54        | 57767A      | Lockplate .....  | 1               |
| 55        | 57765A      | Breaker Assy. ....   | 1               |
|           | 57827       | Cover Assy. – Crankcase side.....                            | 1               |
| 56        | 101326      | -----Nut – Hex Hd 10-24 .....                                | 1               |
| 57        | 57898       | -----Seal – Oil.....   | 1               |
| 58        | 57897       | -----Seal – Oil.....   | 1               |

| Index No. | Part Number | Description   | Units Per Assy. |
|-----------|-------------|---|-----------------|
| 59        |             | ----- Cover – Crankcase (Order Crankcase Cover Assy. #57827) .....      | 1               |
| 60        | 104523      | “O” Ring .....  | 1               |
| 61        | 100824      | Bearing – Ball.....   | 1               |
| 62        | 104490      | Bearing – Ball.....   | 1               |
| 63        | 58128       | Crankshaft.....   | 1               |
|           | 47878       | Crankcase Assy. – Cylinder.....   | 1               |
| 64        | 101326      | ----- Nut – Hex Hd 10-24.....   | 8               |
| 65        | 28053       | ----- Retainer – Nut .....  | 2               |
| 66        | 18556A      | ----- Retainer – Nut .....  | 6               |
| 67        | 101143      | ----- Nut – Hex ¼-20 .....  | 6               |
| 68        | 104486      | ----- Seal – Oil.....   | 1               |
| 69        | 104255      | ----- Retainer – Nut .....  | 2               |
| 70        | 57063       | ----- Retainer – Nut .....  | 4               |
| 71        |             | ----- Crankcase – Cylinder (Order Cylinder Crankcase Assy. #47878) .... | 1               |

**OVERSIZED PISTON ASSEMBLY AND ACCESSORIES**

| Part Number | Description  |
|-------------|--|
| 47766       | Piston Assy. - +0.010 inch oversize                            |
| 47768       | ----- Ring Set – Piston +0.010 inch oversize                   |
| 13639A      | Clutch, Drum, Bearing and Sprocket Assy. – 10 Tooth, #35 Chain |
| 13638A      | Clutch, Drum, Bearing and Sprocket Assy. – 11 Tooth, #35 Chain |
| 13637A      | Clutch, Drum, Bearing and Sprocket Assy. – 12 Tooth, #35 Chain |
| 48736A      | Drum, Bearing and Sprocket Assy. – 10 Tooth, #35 Chain         |
| 48734A      | Drum, Bearing and Sprocket Assy. – 11 Tooth, #35 Chain         |
| 48714A      | Drum, Bearing and Sprocket Assy. – 12 Tooth, #35 Chain         |
| 104460      | ----- Bearing – Clutch Drum                                    |
| 48737       | ----- Spacer – Sprocket  |
| 48637       | Sprocket – 10 tooth #35 Chain                                  |
| 48638       | Sprocket – 11 tooth #35 Chain                                  |
| 48639       | Sprocket – 12 tooth #35 Chain                                  |
| 48712A      | Clutch Assy. – Dry   |
| 48645       | Header – Exhaust (Tuned)                                       |
| 14317       | Kit – Muffler  |
| 48711D      | Kit – Starter, Recoil  |
| 48663       | Kit – Starter, Pawl  |
| 13178A      | Kit – Engine Mounting  |
| 13598       | Carburetor Inlet Stack   |

All line drawings and logos are Copyright © 2000-2001, McCulloch Racing Corporation, Henderson, Nevada, U.S.A. Any reproduction of this document, its line drawings, illustrations or logos without the express written consent of McCulloch Racing Corporation is illegal and is punishable under International Copyright Agreements. If you would like to reproduce this document for your own use, please contact McCulloch Racing Corp. by writing to:

McCulloch Racing Corp., Legal Department, 2120 Ramrod Ave., Ste. 518, Henderson, NV 89014 U.S.A.

Or emailing to [info@mccullochracing.com](mailto:info@mccullochracing.com). McCulloch Racing Corp. is the sole owner of the following copyrighted symbols and or logos:

