

# Kart Engine

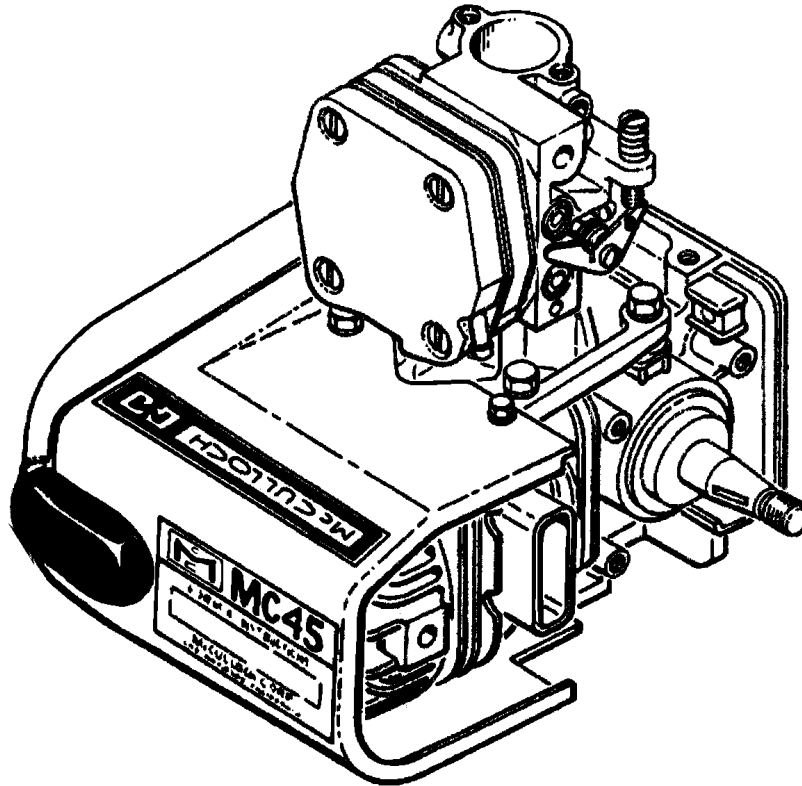
# Mc-45

## Illustrated Parts List

Part No. 400157R

January 1964

Price \$7.50



The following pages contain an illustrated parts list for the Mc-45 'Super' type Kart Engine. Due to small differences between engines, it is important that the Serial Number of your kart engine be included whenever spare parts are ordered. This will assure receiving the proper parts from McCulloch Racing Corporation.

The McCulloch Racing Corporation reserves the right to modify or change replacement part numbers without (1) prior notification or (2) obligation to back-fit or supply back-fit components for units previously shipped from McCulloch Racing Corporation.

This document, logos and all illustrated figures are copyright © 2000-2002 McCulloch Racing Corporation. Las Vegas, Nevada, U.S.A.



Figure	Description	Page #
Figure 1.	Engine Assembly, Model Mc-45 Engine	2
Figure 2.	McCulloch Corp. Carburetor Assemblies	4
Figure 3.	Powerhead Assembly	6
	Oversize Piston List	7

This Illustrated Parts List is Part No. 47917.

## McCulloch Racing Corporation

P.O. Box 531351, Henderson, Nevada 89053-1351 U.S.A.

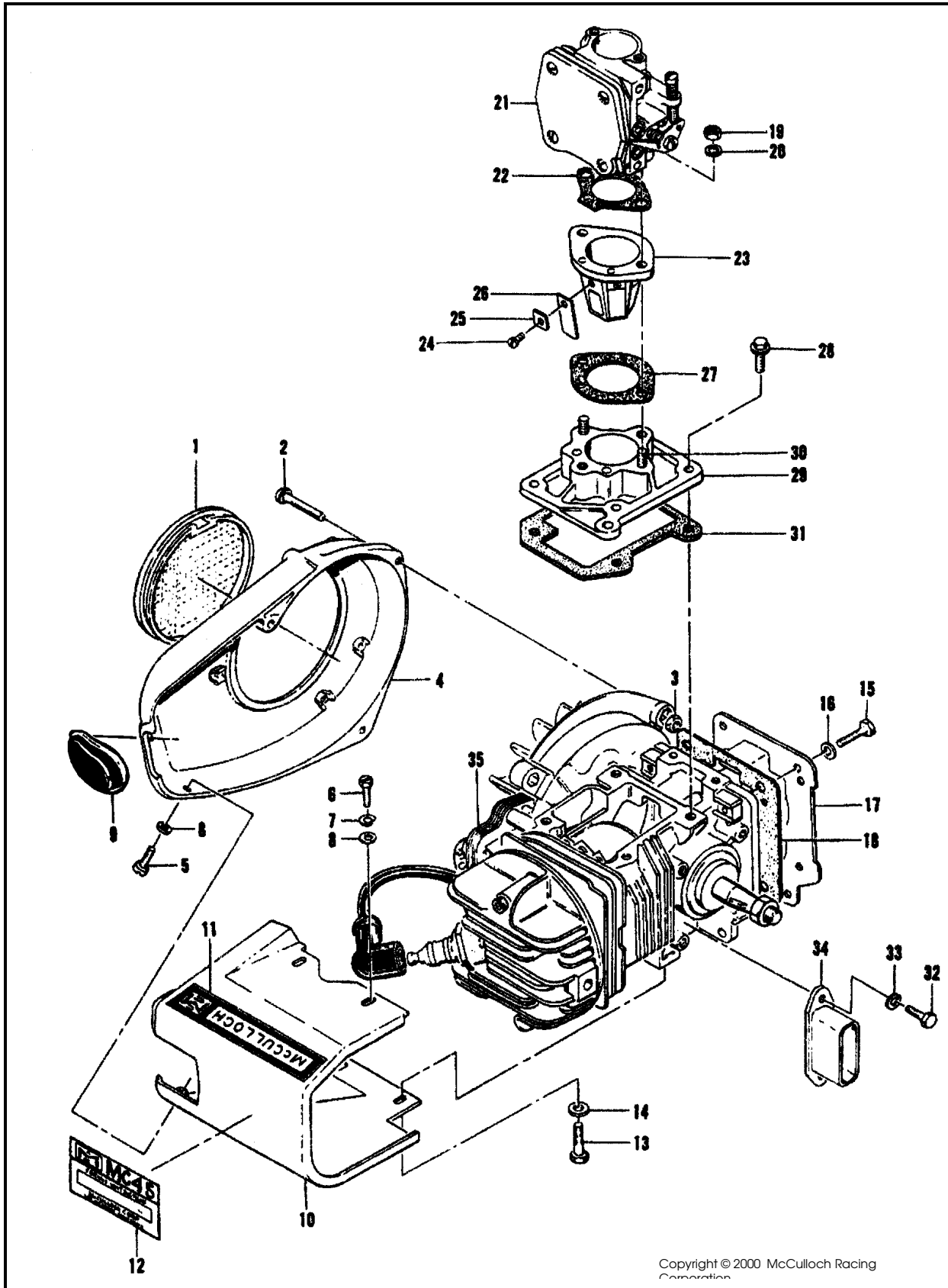
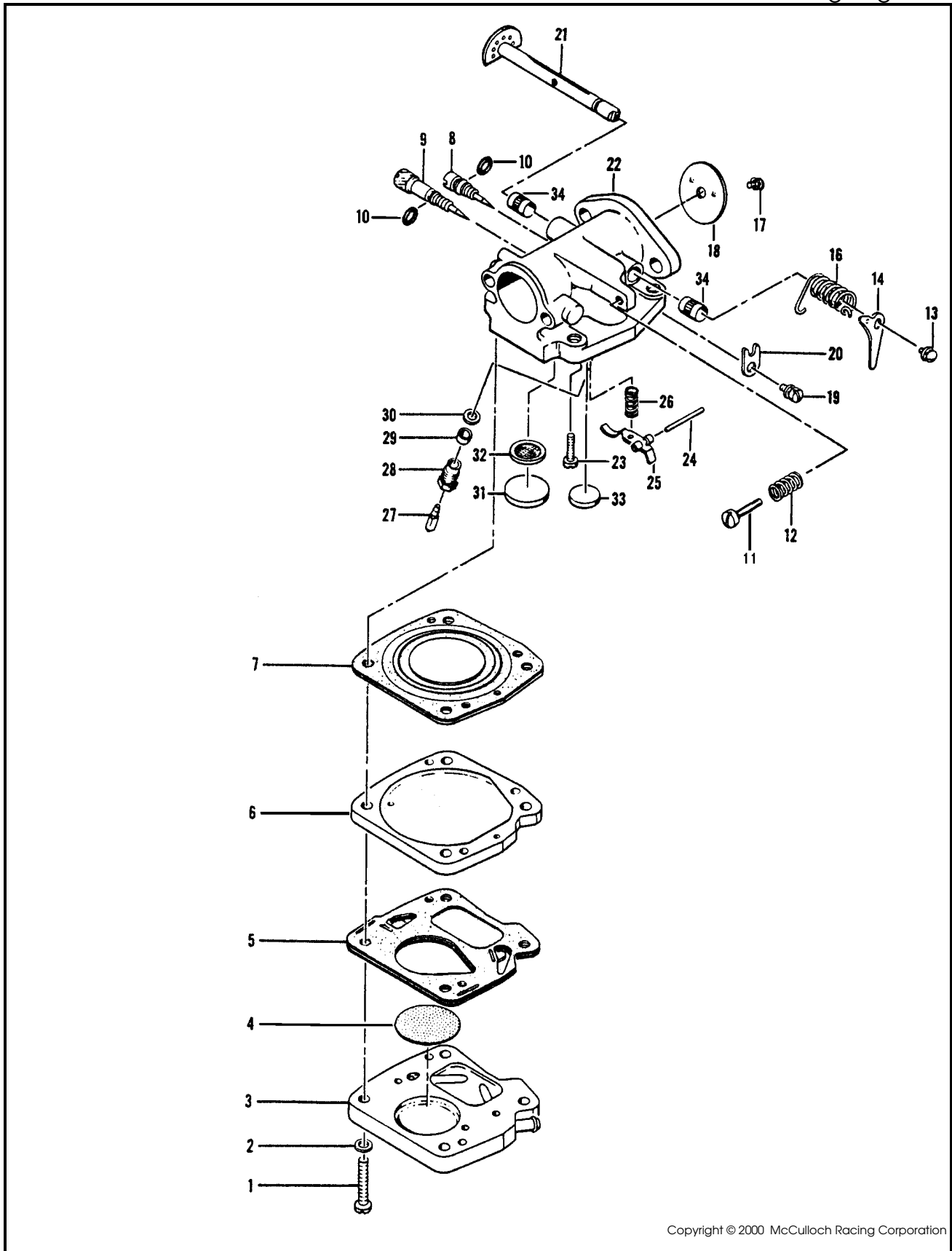


Figure 1. Engine Assembly, Model Mc-45 Engine

FIGURE 1. ENGINE ASSEMBLY, MODEL MC-45 ENGINE

	Index No.	Part Number	Description	U Per Assy
1	55615	Guard .....	1	
2	104816	Screw – 10-24 x 1 ¼ in. lg (SEMS).....	3	
3	101191	Nut – Hex 10-24 .....	2	
4	48864	Housing, Fan .....	1	
5	102500	Screw – Pan Hd 10-24 x ½ in. lg .....	1	
6	102762	Screw – Hex Hd 10-24 x ½ in. lg .....	1	
7	101194	Lockwasher - #10 .....	3	
8	100002	Washer – Plain #10 .....	2	
9	57565	Cover Assy. – Spark Plug.....	1	
10	47904	Shroud – Cylinder.....	1	
11	48588	-----Nameplate.....	1	
12	47882	Nameplate .....	1	
13	100732	Screw – Hex Hd ¼-20 x 5/8 in. lg .....	2	
14	100005	Washer, Plain ¼ in. ....	2	
15	101982	Screw – Hex Hd ¼-20 x 1 in. lg .....	4	
16	100311	Washer – Plain ¼ in. ....	4	
17	58139A	Cover – Crankcase bottom (Stuffer) .....	1	
18	48909A	Gasket – Crankcase bottom cover .....	1	
19	100249	Nut – Hex ¼-28 .....	2	
20	100153	Lockwasher – ¼ in.....	2	
21		Carburetor Assy. (See Figure 2).....	1	
22	55161D	Gasket – Carburetor .....	1	
23	47843	Valve Assy. – Pyramid reed.....	1	
24	47907	-----Screw – Bind Hd 4-40 x 1/8 in lg .....	6	
25	47846	-----Plate – Clamp.....	6	
26	47845	-----Valve – Reed.....	6	
27	47869	Gasket – Reed Valve.....	1	
28	104815	Screw – Hex Hd 10-24 x 7/8 in. lg (SEMS).....	4	
29	47866	Manifold Assy. – Carburetor .....	1	
30	47868	-----Stud – Manifold .....	2	
31	47870	Gasket – Manifold.....	1	
32	102388	Screw – Hex Hd 10-24 x 5/8 in. lg .....	2	
33	103100	Lockwasher - #10 int .....	2	
34	48609	Header – Exhaust.....	1	
35		Powerhead (Crankcase) – See Figure 3 .....	1	

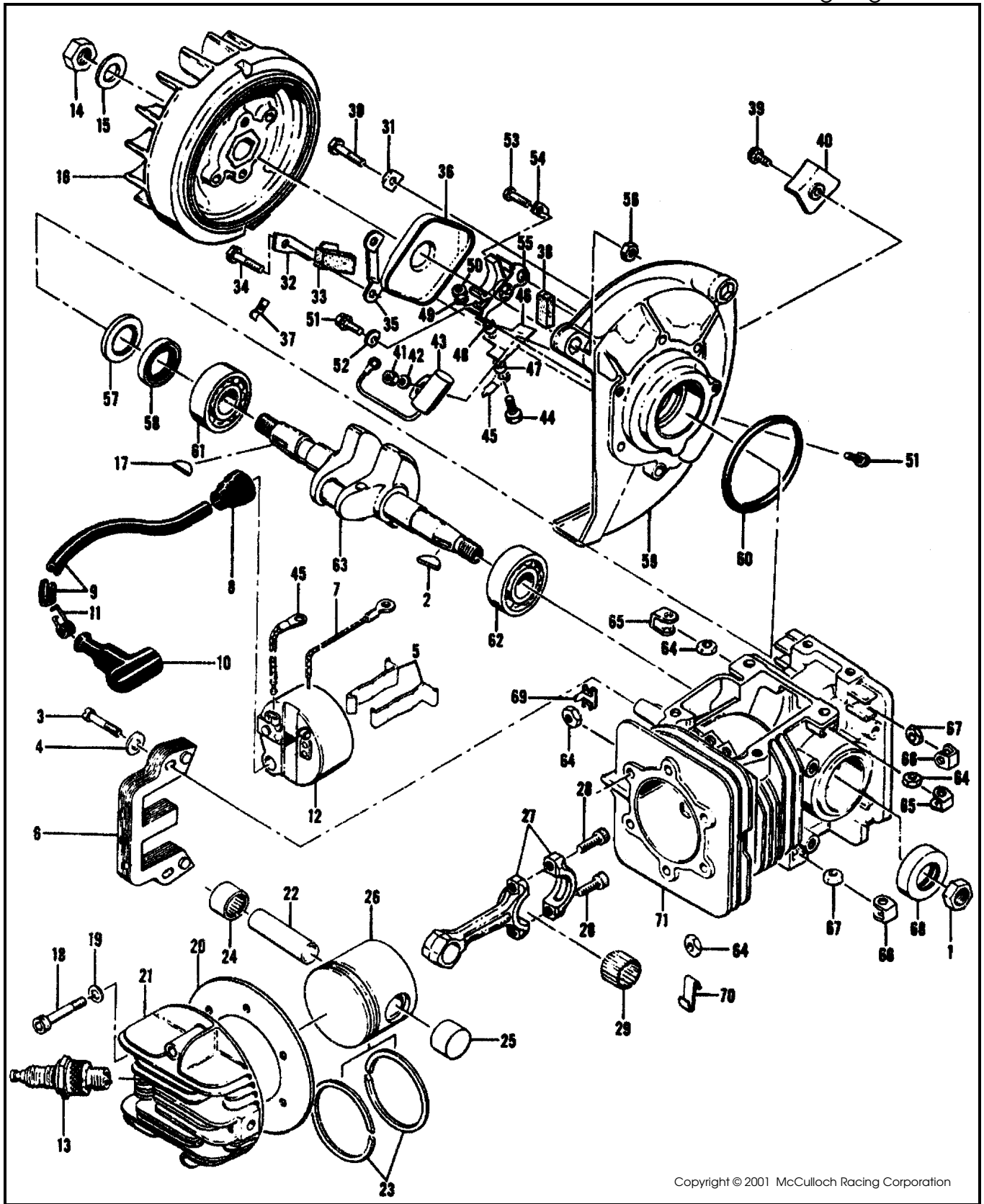


Copyright © 2000 McCulloch Racing Corporation

Figure 2. McCulloch Carburetor Assemblies

FIGURE 2. McCulloch Carburetor Assemblies

	Index No.	Part Number	Description	U Per Assy
		<b>48890B</b>	<b>Carburetor Assembly .....</b>	<b>1</b>
1	104520		-----Screw – Pan Hd 10-24 x 7/8 in. lg (SEMS) .....	4
2	102189		-----Washer – Plain #10.....	4
3	48897		-----Body Assy – Fuel Pump.....	1
4	48911		-----Filter – Fuel Pump.....	1
5	57274B		-----Diaphragm – Fuel Pump .....	1
6	48901		-----Plate – Diaphragm .....	1
7	55067C		-----Diaphragm – Carburetor .....	1
8	55090		-----Needle – Idle adjusting.....	1
9	48810		-----Needle – Main adjusting .....	1
10	104001		-----“O” Ring.....	2
11	55397		-----Screw – Idle Speed .....	1
12	51705		-----Spring – Idle speed screw.....	1
13	104814		-----Screw – Pan Hd 4-40 x ¼ in. lg (SEMS) .....	1
14	50701A		-----Arm – Throttle Shaft.....	1
15			DELIBERATELY LEFT BLANK .....	0
16	48820		-----Spring – Throttle Return.....	1
17	104814		-----Screw – Pan Hd 4-40 x ¼ in. lg (SEMS) .....	1
18	55085		-----Plate – Throttle.....	1
19	110055		-----Screw – Fil Hd 8-32 x 3/8 in. lg (SEMS).....	1
20	55082		-----Clip – Shaft.....	1
21	48818A		-----Shaft Assy – Throttle.....	1
22	48907B		-----Body Assy. – Carburetor .....	1
23	104164		-----Screw – Pan Hd 4-40 x ¼ in. lg .....	1
24	104305		-----Pin – Inlet Lever.....	1
25	55688		-----Lever – Inlet Control.....	1
26	57172		-----Spring – Inlet Control .....	1
27	59710		-----Valve – Needle .....	1
28	58969		-----Body – Needle Valve .....	1
29	59480		-----Seat – Needle .....	1
30	55689		-----Washer – Valve.....	1
31	104407		-----Plug – Expansion 1 in .....	1
32	55690B		-----Seal – Capillary.....	1
33	102758A		-----Plug – Expansion ½ in .....	1
34	55062A		-----Bushing – Body.....	2



Copyright © 2001 McCulloch Racing Corporation

Figure 3. Powerhead Assembly (Crankcase). Mc-45 Engine.

FIGURE 3. Powerhead Assembly (Crankcase). Mc-45 Engine

	Index No.	Part Number	Description	Per Assy
	1	103746	Nut – Hex 3/8-24 .....	1
	2	103879	Key – Woodruff.....	1
	3	101965	Screw – Fil Hd 10-24 x 7/8 in lg (SEMS) .....	2
	4	100003	Washer – Plain #10 .....	2
	5	51253	Retainer – Coil.....	2
	6	51251	Lamination Assy. – Coil .....	1
		55949A	Coil and Terminal Assy.....	1
	7	101883	-----Wire Assy. – Ground .....	1
	8	55617	-----Nipple – Spark Plug Wire .....	1
	9	52547	-----Wire Assy. – Spark Plug .....	1
	10	55060	-----Boot- Spark Plug.....	1
	11	55061	-----Connector – Spark Plug.....	1
	12		-----Coil Assy. (Order Coil and Terminal Assy # 55949A).....	1
	13		Spark Plug – 14mm .....	1
	14	101179	Nut – Hex 7/16 – 20.....	1
	15	101270	Washer – Plain 7/16 in .....	1
	16	47880A	Flywheel Assembly.....	1
	17	103879	Key – Woodruff.....	1
	18	104534	Screw – Skt Hd 10-24 x 1 13/32 in. lg .....	6
	19	24236	Washer – Special .....	6
	20	47835	Gasket – Cylinder Head.....	1
	21	48903A	Head – Cylinder.....	1
	22	58132	Pin – Piston (wristpin).....	1
		47765	Piston Assy. – Standard size .....	1
	23	47767	-----Ring Set – Piston standard size .....	1
	24	101206	-----Bearing – Needle .....	1
	25	104378	-----Bearing – Needle (Closed end).....	1
	26		-----Piston (Order Piston Assy. 47765).....	1
	27	47903	Connecting Rod Assy .....	1
	28	60210A	-----Screw – Skt Hd 10-32 x 5/8 in lg (Rod Bolt).....	2
	29	102742	-----Roller - Needle .....	24
	30	102763	Screw – Hex Hd 10-24 x 3/4 in lg .....	2
	31	36388	Plate – Lock.....	1
	32	57815	Strap – Seal.....	1
	33	50664	Seal – Breaker box drain .....	1
	34	102763	Screw – Hex Hd 10-24 x 3/5 in. lg .....	4
	35	55977	Clip – Breaker box cover .....	2
	36	55766B	Cover and Gasket Assy – Breaker Box .....	1
	37	104230	Speednut .....	1
	38	54184	Wiper – Felt .....	1
	39	110055	Screw – Fil Hd 8-32 x 3/8 in. lg.....	1
	40	57829	Clamp – Ignition wire .....	1
	41	100955	Nut – Hex Hd 8-32.....	1
	42	100080	Washer – Plain #8 .....	1
	43	50074	Condenser .....	1
	44	103748	Screw – Hex Hd 8-32 x 1/2 in. lg .....	1
	45	57766	Wire Assy. – Primary .....	1
	46	55782	Insulator.....	1
	47	57769	Insulator – Ignition Screw .....	1
	48	57770A	Insulator – Breaker Spring .....	1
	49	104553	Washer – Lock #8.....	1
	50	104551	Nut – Hex Hd 8-32.....	1
	51	104733	Screw – Fil Hd 8-32 x 1/2 in. lg (SEMS) .....	2
	52	55778C	Washer – Special .....	1
	53	104733	Screw – Fil Hd 8-32 x 1/2 in. lg (SEMS) .....	1
	54	57767A	Lockplate .....	1
	55	57765A	Breaker Assy. .....	1
		57827	Cover Assy. – Crankcase side (Yellow).....	1
	56	101326	-----Net – Hex Hd 10-24 .....	1
	57	57898	-----Seal – Oil.....	1
	58	57897	-----Seal – Oil.....	1

FIGURE 3. Powerhead Assembly. Mc-45 Engine (Continued)

Index No.	Part Number	Description	Units Per Assy.
59		----- Cover – Crankcase (Order Crankcase Cover Assy. #57827) .....	1
60	104523	“O” Ring .....	1
61	100824	Bearing – Ball.....	1
62	104490	Bearing – Ball.....	1
63	58128	Crankshaft.....	1
	47878	Crankcase Assy. – Cylinder.....	1
64	101326	----- Nut – Hex Hd 10-24.....	8
65	28053	----- Retainer – Nut .....	2
66	18556A	----- Retainer – Nut .....	6
67	101143	----- Nut – Hex ¼-20 .....	6
68	104486	----- Seal – Oil.....	1
69	104255	----- Retainer – Nut .....	2
70	57063	----- Retainer – Nut .....	4
71		----- Crankcase – Cylinder (Order Cylinder Crankcase Assy. #47878) ....	1

**OVERSIZED PISTON ASSEMBLY AND ACCESSORIES**

Part Number	Description
47766	Piston Assy. - +0.010 inch oversize
47768	----- Ring Set – Piston +0.010 inch oversize
13639A	Clutch, Drum, Bearing and Sprocket Assy. – 10 Tooth, #35 Chain
13638A	Clutch, Drum, Bearing and Sprocket Assy. – 11 Tooth, #35 Chain
13637A	Clutch, Drum, Bearing and Sprocket Assy. – 12 Tooth, #35 Chain
48736A	Drum, Bearing and Sprocket Assy. – 10 Tooth, #35 Chain
48734A	Drum, Bearing and Sprocket Assy. – 11 Tooth, #35 Chain
48714A	Drum, Bearing and Sprocket Assy. – 12 Tooth, #35 Chain
104460	----- Bearing – Clutch Drum
48737	----- Spacer – Sprocket
48637	Sprocket – 10 tooth #35 Chain
48638	Sprocket – 11 tooth #35 Chain
48639	Sprocket – 12 tooth #35 Chain
48712A	Clutch Assy. – Dry
48645	Header – Exhaust (Tuned)
14317	Kit – Muffler
48711D	Kit – Starter, Recoil
48663	Kit – Starter, Pawl
13178A	Kit – Engine Mounting
13598	Carburetor Inlet Stack

All line drawings and logos are Copyright © 2001, McCulloch Racing Corporation, Las Vegas, Nevada, U.S.A. Any reproduction of this document, its line drawings, illustrations or logos without the express written consent of McCulloch Racing Corporation is illegal and is punishable under International Copyright Agreements. If you would like to reproduce this document for your own use, please contact McCulloch Racing Corp. by writing to: McCulloch Racing Corp., Legal Department, P.O. Box 531351, Henderson, NV 89053-1351 U.S.A.

Or emailing to [info@mccullochracing.com](mailto:info@mccullochracing.com). McCulloch Racing Corp. is the sole owner of the following copyrighted symbols and or logos:

