

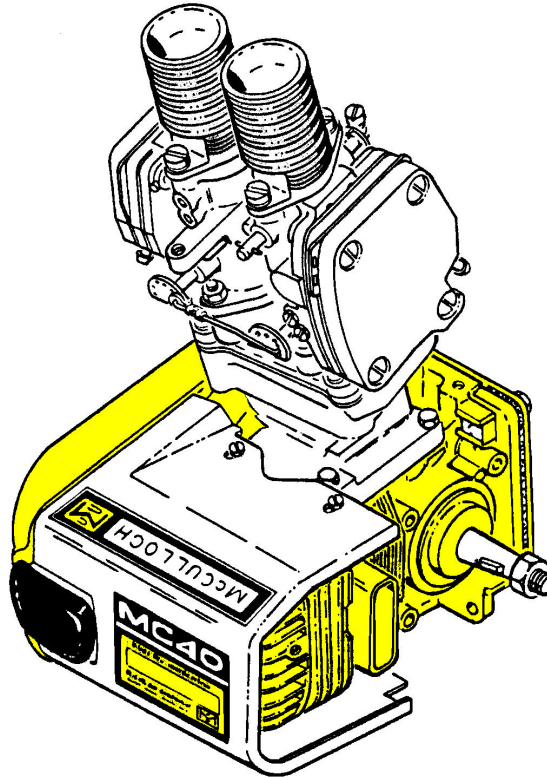
# Kart Engine

# Mc-40

Illustrated Parts List Part No. 400156R

February 1963

Price \$7.50



The following pages contain an illustrated parts list for the Mc-40 'Super' type Kart Engine. Due to small differences between engines, it is important that the Serial Number of your kart engine be included whenever spare parts are ordered. This will assure receiving the proper parts from McCulloch Racing Corporation.

The McCulloch Racing Corporation reserves the right to modify or change replacement part numbers without (1) prior notification or (2) obligation to back-fit or supply back-fit components for units previously shipped from McCulloch Racing Corporation.

This document, logos and all illustrated figures are copyright © 2000-2002 McCulloch Racing Corporation. Las Vegas, Nevada, U.S.A.



Figure	Description	Page #
Figure 1.	Engine Assembly, Model Mc-40 Engine	2
Figure 2.	McCulloch Corp. Carburetor Assemblies	4
Figure 3.	Powerhead Assembly	6
	Oversize Piston List	7

This Illustrated Parts List is Part No. 47769.

## McCulloch Racing Corporation

P.O. Box 531351, Henderson, Nevada 89053 U.S.A. Tel.: (702) 277-1894



FIGURE 1. ENGINE ASSEMBLY, MODEL MC-40 ENGINE

Index No.	Part Number	Description	Units Per Assy.
1	55615	Guard .....	1
2	104816	Screw – Skt Hd 10-24 x 1 ¼ in. lg (SEMS).....	3
3	101191	Nut – Hex 10-24 .....	2
4	48864	Housing, Fan .....	1
5	102500	Screw – Pan Hd 10-24 x ½ in. lg .....	1
6	102762	Screw – Hex Hd 10-24 x ½ in. lg .....	1
7	101194	Lockwasher - #10 .....	1
8	100002	Washer – No. 10.....	2
9	48936	Cover Assy. – Spark Plug.....	1
10	47738	Shroud – Cylinder.....	1
11	48588	-----Nameplate – McCulloch .....	1
12	47753	-----Nameplate – Mc-40 .....	1
13	100732	Screw – Hex Hd ¼-20 x 5/8 in. lg .....	2
14	100005	Washer, Plain ¼ in.....	2
15	101982	Screw – Hex Hd ¼-20 x 1 in. lg .....	4
16	100311	Washer – Plain ¼ in.....	4
17	58139A	Cover – Crankcase bottom (Stuffer).....	1
18	48909A	Gasket – Crankcase bottom cover .....	1
19	13598	Stack Assy. ....	2
20	100050	-----Screw – Fil hd 10-32 x 3/8" lg.....	4
21	100240	-----Lockwasher - #10.....	4
22	59159	Clip .....	2
23	47793	Rod – Throttle link .....	1
24	47794	Rod – Throttle Connecting.....	1
25	105595	Pin – Cotter.....	1
26	110106	Washer .....	1
27	47792	Bushing.....	1
28	47789	Shaft Assy. – Throttle .....	1
29	100249	Nut – Hex ¼-28 .....	2
30	100153	Lockwasher – ¼ in.....	2
31	47787	Gasket – Dual Carburetor.....	1
32		Carburetor Assemblies (See Figure 2) .....	1
33	103464	Screw – Hex hd 10-24 x 3/4" lg (SEMS) .....	2
34	102290	Screw – Hex hd 10-24 x 1 1/8" lg (SEMS).....	2
	47732	Manifold and Reed Assy. ....	1
35	103464	-----Screw – 10-24 x ¾ » lg (SEMS) .....	1
36	47733	-----Adapter Assy. – Carburetor.....	1
37	48611	-----Stud – Carburetor .....	4
38	47774	-----Gasket – Adapter-to-block.....	1
39	47731	-----Block Assy. – Reed Valve .....	1
40	104476	-----Screw – Hex hd 8-32 x 5/16" lg .....	4
41	47770	-----Lockplate .....	2
42	47773	-----Guard – Reed Valve .....	2
43	47771	-----Valve – Reed.....	2
44	47772	Gasket – Block-to-manifold.....	1
45	47777	Body – Manifold.....	1
46	48516	Gasket – Manifold-to-crankcase .....	1
47	102388	Screw – Hex hd 10-24 x 5/8" lg .....	2
48	103100	Washer – Lock.....	2
49	48609	Header – Exhaust.....	1
50		Powerhead Assembly (See Figure 3).....	1

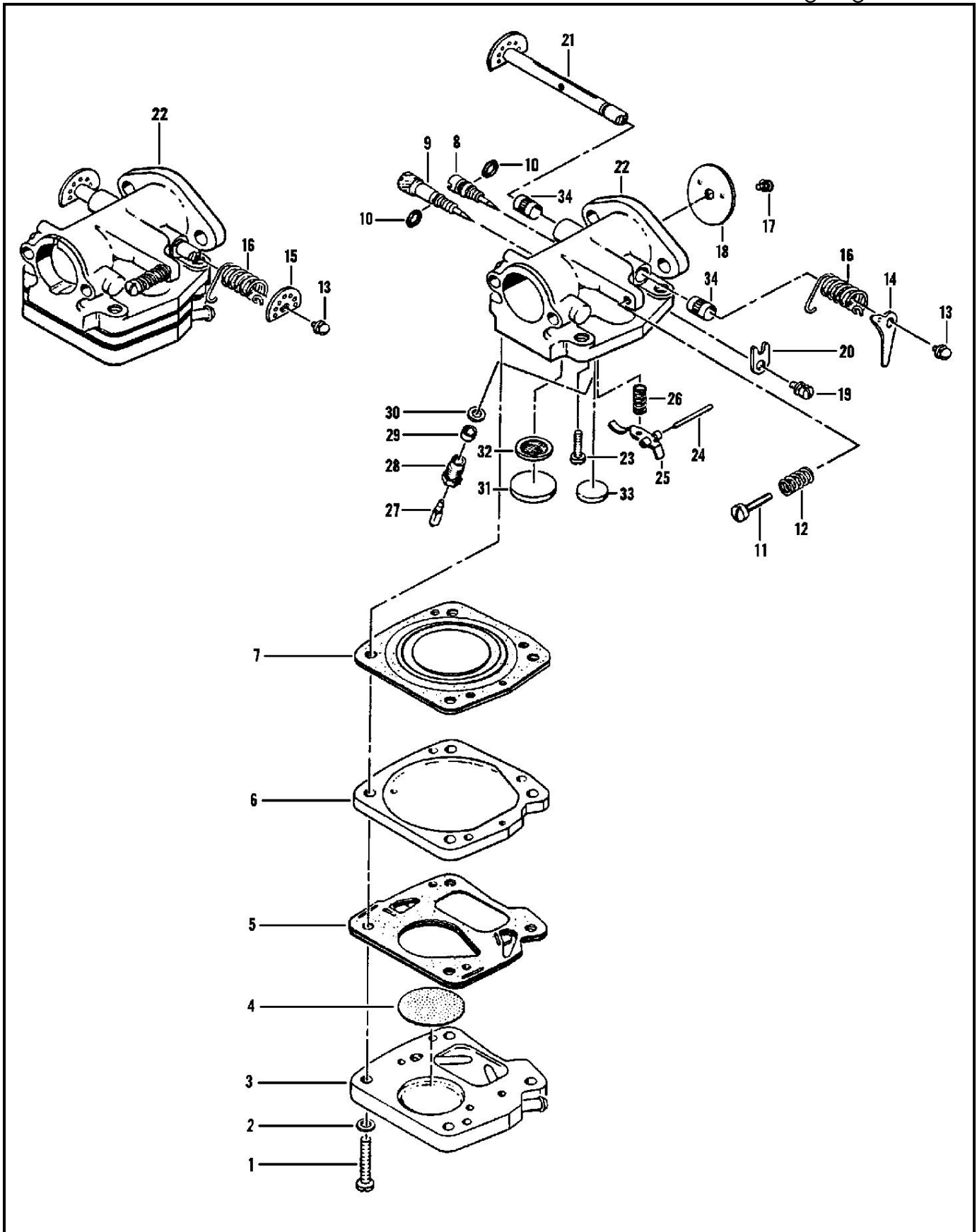


Figure 2. McCulloch Carburetor Assemblies for Mc-40 Dual Carburetion.

FIGURE 2. MC-40 CARBURETOR ASSEMBLIES, DUAL CARBURETION

Index No.	Part Number	Description	Units Per Assy.	Used On Code
		<b>CODE</b>		
		"A" used on 48890A Carburetor Assy		
		"B" used on 47821 Carburetor Assy		
	<b>48890A</b>	<b>Carburetor Assembly</b> .....	<b>1</b>	
	<b>47821</b>	<b>Carburetor Assembly</b> .....	<b>1</b>	
1	104520	-----Screw – Pan Hd 10-24 x 7/8 in. lg (SEMS) .....	4	AB
2	102189	-----Washer – Plain #10 .....	4	AB
3	48897	-----Body Assy – Fuel Pump .....	1	AB
4	48911	-----Filter – Fuel Pump .....	1	AB
5	57274A	-----Diaphragm – Fuel Pump .....	1	AB
6	48901	-----Plate – Diaphragm .....	1	AB
7	55067C	-----Diaphragm – Carburetor .....	1	AB
8	55090	-----Needle – Idle adjusting .....	1	AB
9	48810	-----Needle – Main adjusting .....	1	AB
10	104001	-----"O" Ring .....	2	AB
11	55397	-----Screw – Idle, Adjustment .....	1	AB
12	51705	-----Spring – Idle speed screw .....	1	AB
13	104814	-----Screw – Pan Hd 4-40 x ¼ in. lg (SEMS) .....	1	AB
14	50701A	-----Arm – Throttle Shaft .....	1	A
15	47788	-----Plate - Throttle Shaft .....	1	B
16	48820	-----Spring – Throttle Return .....	1	AB
17	104814	-----Screw – Pan Hd 4-40 x ¼ in. lg (SEMS) .....	1	AB
18	55085	-----Plate – Throttle .....	1	AB
19	110055	-----Screw – Fil Hd 8-32 x 3/8 in. lg (SEMS) .....	1	AB
20	55082	-----Clip – Throttle Shaft .....	1	AB
21	48818A	-----Shaft Assy – Throttle .....	1	AB
22	48907A	-----Body Assy. – Carburetor .....	1	AB
23	104164	-----Screw – Pan Hd 4-40 x ¼ in. lg .....	1	AB
24	104305	-----Pin – Inlet Lever .....	1	AB
25	55688	-----Lever – Inlet Control .....	1	AB
26	57172	-----Spring – Inlet Control .....	1	AB
27	55476A	-----Valve – Needle .....	1	AB
28	55475	-----Body – Needle Valve .....	1	AB
29	55474	-----Seat – Needle .....	1	AB
30	55689	-----Washer – Valve .....	1	AB
31	104407	-----Plug – Expansion 1 in .....	1	AB
32	55690B	-----Seal – Capillary .....	1	AB
33	102758	-----Plug – Expansion ½ in .....	1	AB
34	55062A	-----Bushing – Body .....	2	AB

Note: Carburetors are alike except for index numbers 14 and 15.

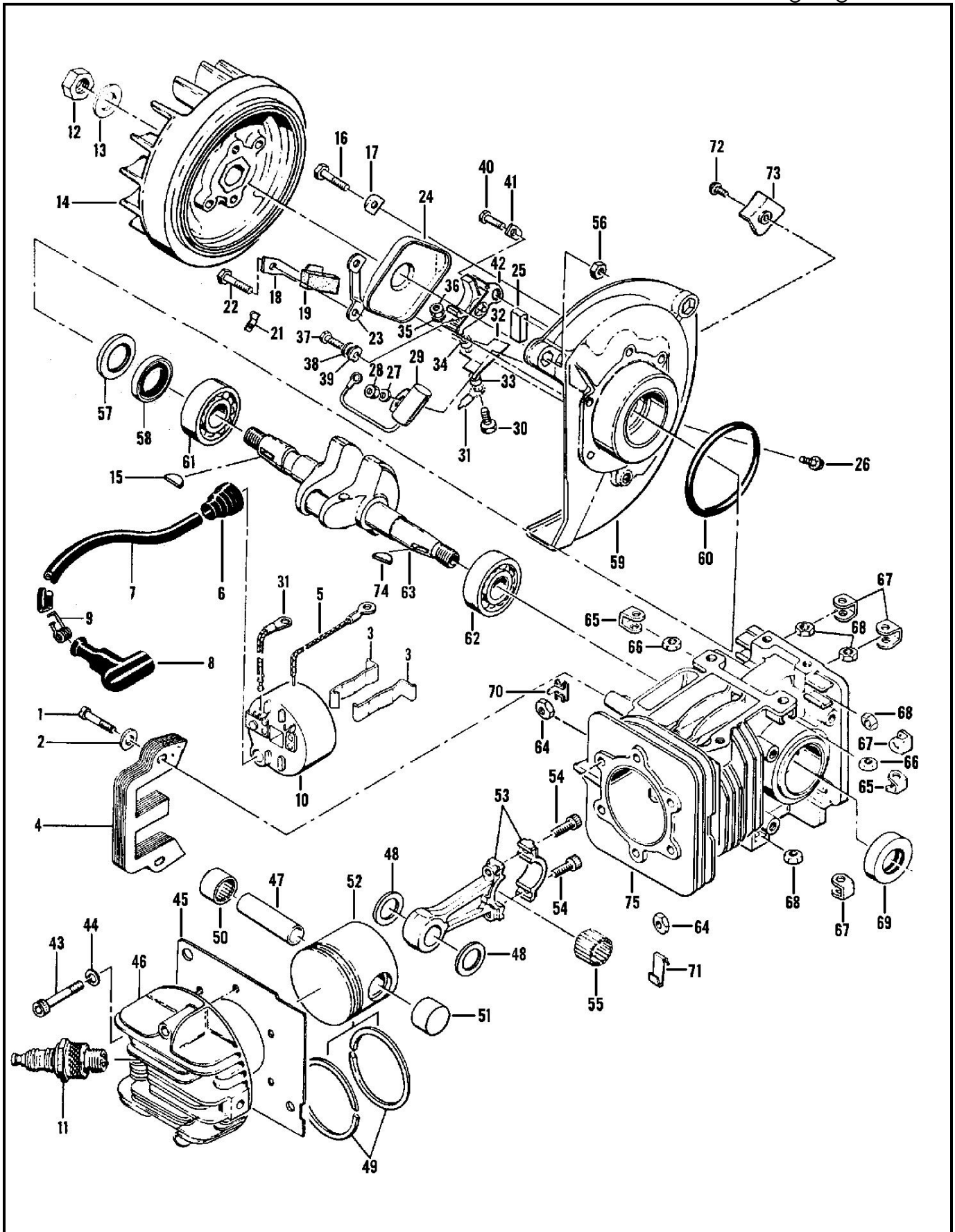


Figure 3. Powerhead Assembly, Mc-40 Engine.

FIGURE 3. POWERHEAD ASSEMBLY. MC-40 ENGINE.

Index No.	Part Number	Description	Units Per Assy.
1	101965	Screw – Fil Hd 10-24 x 7/8 in lg (SEMS) .....	2
2	100003	Washer – Plain #10 .....	2
3	51253	Retainer – Coil .....	2
4	51251	Lamination Assy. – Coil .....	1
	55949A	Coil and Terminal Assy. ....	1
5	101883	-----Wire Assy. – Ground .....	1
6	55617	-----Nipple – Spark Plug Wire .....	1
7	52547	-----Wire Assy. – Spark Plug .....	1
8	55060	-----Boot- Spark Plug .....	1
9	55061	-----Connector – Spark Plug .....	1
10		-----Coil Assy. (Order Coil and Terminal Assy # 55949A) .....	1
11		Spark Plug – 14mm .....	1
12	101179	Nut – Hex 7/16 – 20 .....	1
13	101270	Washer – Plain 7/16 in .....	1
14	48785A	Flywheel Assembly .....	1
15	103879	Key – Woodruff .....	1
16	102763	Screw – Hex Hd 10-24 x ¾” lg .....	2
17	36388	Plate – Lock .....	1
18	57815	Strap – Seal .....	1
19	50664	Seal – Breaker box drain .....	1
20		<i>Intentionally Blank</i> .....	0
21	104554	Speednut .....	1
22	102763	Screw – Hex hd 10-24 x ¾” lg .....	4
23	55977	Clip – Breaker box cover .....	2
24	55766B	Cover and Gasket Assy – Breaker Box .....	1
25	54184	Wiper – Felt .....	1
26	104555	Screw – Fil hd 8-32 x ½” lg (SEMS) .....	1
27	100080	Washer – Plain No. 8 .....	1
28	100955	Nut – Hex 8-32 .....	1
29	50074	Condenser .....	1
30	103748	Screw – Hex Hd 8-32 x ½ in. lg .....	1
31	57766	Wire Assy. – Primary .....	1
32	55782	Insulator .....	1
33	57769	Insulator – Ignition Screw .....	1
34	57770	Insulator – Breaker Spring .....	1
35	104553	Washer – Lock #8 .....	1
36	100251	Nut – Hex 8-32 .....	1
37	100414	Screw – Fil hd 8-32 x ½” lg .....	1
38	100057	Lockwasher .....	2
39	55778	Washer – Special .....	1
40	103061	Screw – 8-32 x ½” lg .....	1
41	57767A	Lockplate .....	1
42	57765A	Breaker Assy. ....	1
43	104534	Screw – Skt hd 10-24 x 1-13/32” lg .....	6
44	24236	Washer – Special .....	6
45	48742A	Gasket – Head .....	1
46	48903	Head – Cylinder .....	1
47	58132	Pin – Piston (wristpin) .....	1
48	51209	Washer – Thrust .....	2
	48518	Piston Assy. – Standard size .....	1
49	48978	-----Ring Set – Piston standard size .....	1
50	101206	-----Bearing – Needle .....	1
51	104378	-----Bearing – Needle (Closed end) .....	1
52		-----Piston (Order Piston Assy. 48518) .....	1
53	48905	Connecting Rod Assy .....	1
54	104589	-----Screw – Skt Hd 10-32 x 9/16 in lg (Rod Bolt) .....	2
55	102742	-----Roller - Needle .....	24

FIGURE 3. Powerhead Assembly. Mc-40 Engine (Continued)

Index No.	Part Number	Description	Units Per Assy.
	57768A	Crankcase Cover Assy. ....	1
56	101326	-----Nut – Hex 10-24 .....	1
57	50663	-----Seal – Oil .....	1
58	57784	-----Seal – Oil .....	1
59		-----Cover – Crankcase (Order Assy # 57768A) .....	1
60	104523	“O” Ring .....	1
61	100824	Bearing – Ball .....	1
62	104490	Bearing – Ball .....	1
63	58128	Crankshaft .....	1
	48992	Cylinder Assy. – Crankcase.....	1
64	101326	-----Net – Hex Hd 10-24.....	6
65	28053	-----Retainer – Nut .....	2
66	101326	-----Net – Hex Hd 10-24.....	2
67	18556A	-----Retainer – Nut .....	6
68	101143	-----Nut – Hex ¼-20 .....	6
69	104486	-----Seal – Oil.....	1
70	104255	-----Retainer – Nut .....	2
71	57063	-----Retainer – Nut .....	4
72	103061	Screw – Fil hd 8-32 x 3/8” lg .....	1
73	57829	Clamp – Ignition Wire .....	11
74	103879	Key – Woodruff.....	1
75		Cylinder – Crankcase (Order Assy 48992).....	1

**OVERSIZED PISTON ASSEMBLY AND ACCESSORIES**

Part Number	Description
53924	Piston Assy. - +0.010 inch oversize
48692	-----Ring Set – Piston +0.010 inch oversize
53925	Piston Assy. - +0.020 inch oversize
48693	-----Ring Set – Piston +0.020 inch oversize
53926	Piston Assy. - +0.030 inch oversize
48694	-----Ring Set – Piston +0.030 inch oversize
48637	Sprocket – 10 tooth #35 Chain
48638	Sprocket – 11 tooth #35 Chain
48639	Sprocket – 12 tooth #35 Chain
48712A	Clutch Assy. – Dry
48645	Header – Exhaust (Tuned)
14317	Kit – Muffler
48711D	Kit – Starter, Recoil
48663	Kit – Starter, Pawl
13178A	Kit – Engine Mounting
13598	Carburetor Inlet Stack

All line drawings and logos are Copyright © 2001, McCulloch Racing Corporation, Las Vegas, Nevada, U.S.A. Any reproduction of this document, its line drawings, illustrations or logos without the express written consent of McCulloch Racing Corporation is illegal and punishable under International Copyright Agreements. McCulloch Racing Corp. is the sole owner of the following copyrighted symbols and or logos:

