

Kart Engine

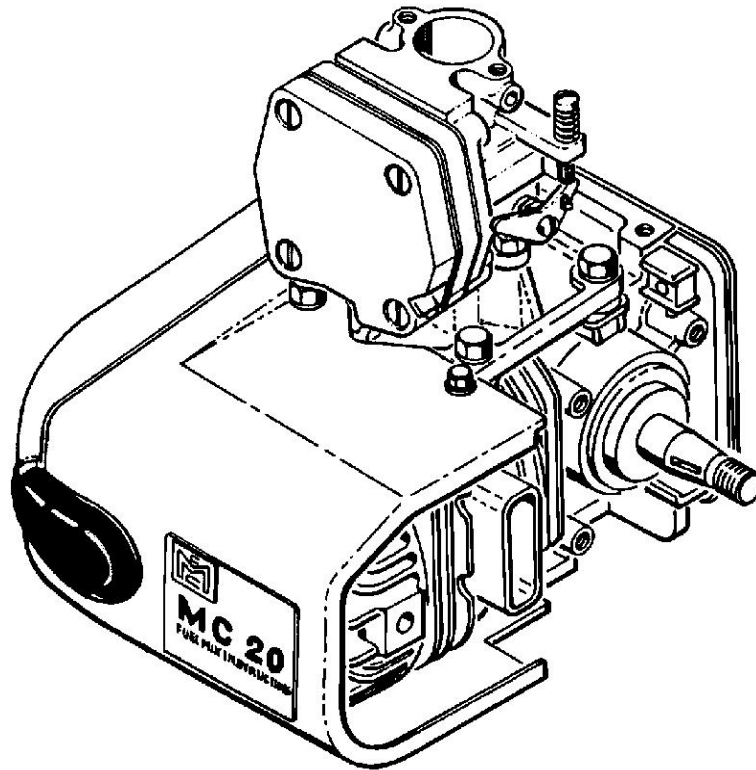
Mc-20

Illustrated Parts List

Part No. 400154R

March 1961

Price \$7.50



The following pages contain an illustrated parts list for the Mc-20 'Super' type Kart Engine. Due to small differences between engines, it is important that the Serial Number of your kart engine be included whenever spare parts are ordered. This will assure receiving the proper parts from McCulloch Racing Corporation.

The McCulloch Racing Corporation reserves the right to modify or change replacement part numbers without (1) prior notification or (2) obligation to back-fit or supply back-fit components for units previously shipped from McCulloch Racing Corporation.

This document, logos and all illustrated figures are copyright © 2000-2002 McCulloch Racing Corporation. Las Vegas, Nevada, U.S.A.

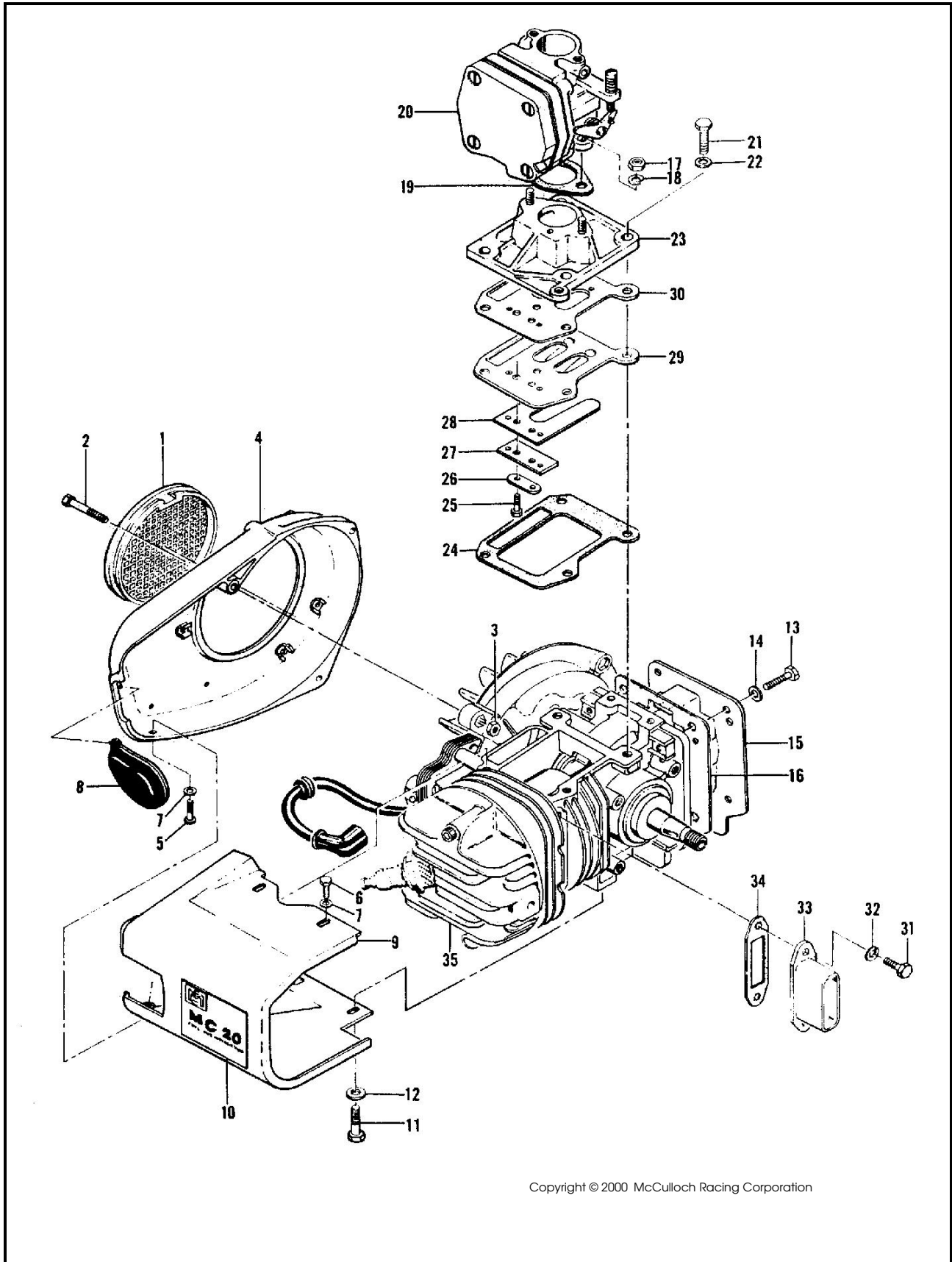


Figure	Description	Page #
Figure 1.	Engine Assembly, Model Mc-20 Engine	2
Figure 2.	McCulloch Corp. Carburetor Assemblies	4
Figure 3.	Powerhead Assembly	6
	Oversize Piston List	7

This Illustrated Parts List is Part No. 48884.

McCulloch Racing Corporation

P.O. Box 531351, Henderson, Nevada 89053-1351 U.S.A.

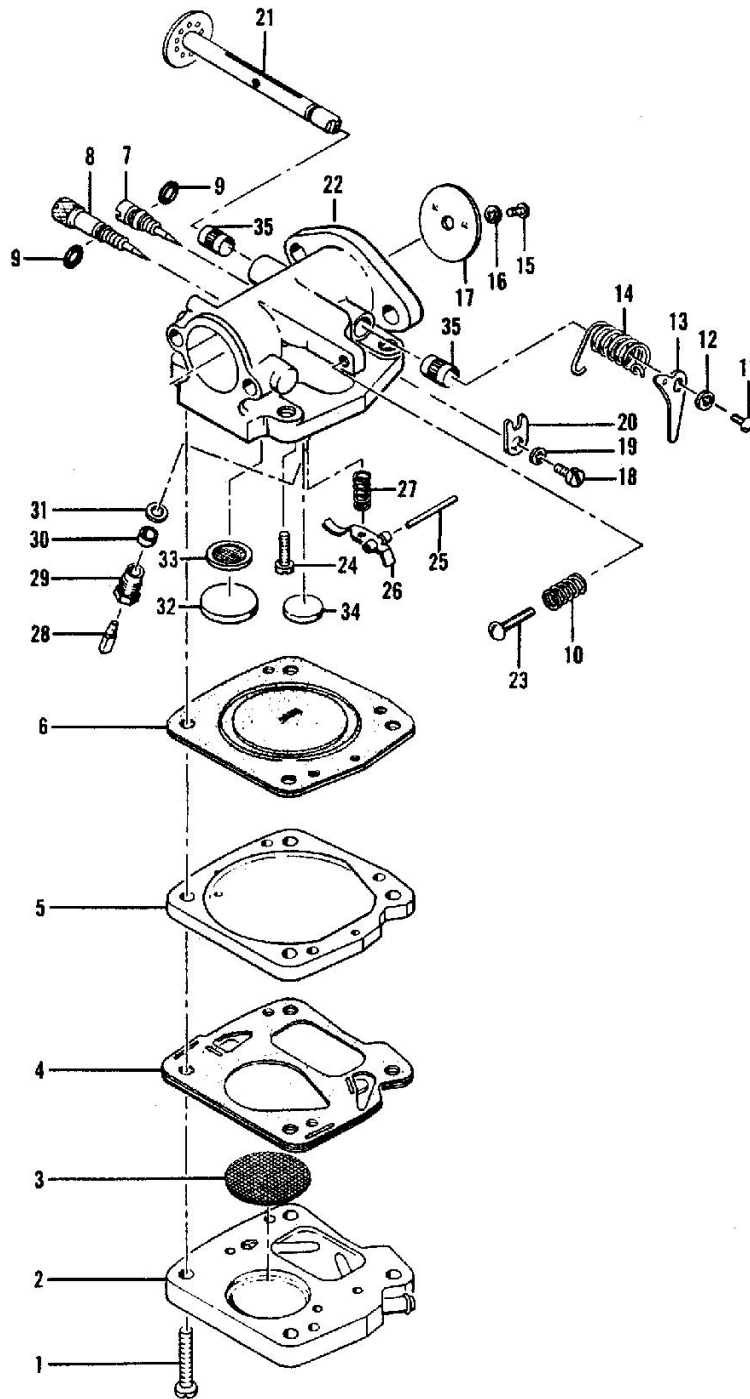


Copyright © 2000 McCulloch Racing Corporation

Figure 1. Engine Assembly, Model Mc-20 Engine

Figure 1. Engine Assembly, Model Mc-20 Engine

Index No.	Part Number	Description	Units Per Assy.
1	55615	Guard-	1
2	104503	Screw – 10-24 x 1 ¼ in. lg (SEMS).....	3
3	101191	Nut – Hex 10-24	2
4	48864	Housing, Fan	1
5	104393	Screw – Pan Hd 10-24 x 3/8 in. lg	1
6	102762	Screw – Hex Hd 10-24 x ½ in. lg	1
7	102189	Lockwasher - #10	3
8	57565	Cover Assy. – Spark Plug.....	1
9	48865	Shroud – Cylinder.....	1
10	48866	-----Nameplate.....	1
11	100732	Screw – Hex Hd ¼-20 x 5/8 in. lg	2
12	100005	Washer, Plain ¼ in.....	2
13	100882	Screw – Hex Hd ¼-20 x 3/4 in. lg	4
14	100311	Washer – Plain ¼ in.....	4
15	58139	Cover – Crankcase bottom (Stuffer).....	1
16	58166	Gasket – Crankcase bottom cover	1
17	100249	Nut – Hex ¼-28	2
18	100153	Lockwasher – ¼ in.....	2
19	55252B	Gasket – Carburetor	1
20		Carburetor Assy. (See Figure 2).....	1
21	103947	Screw – 10-24 x 1" lg.....	4
22	100003	Washer – No. 10.....	4
23	48887	Adapter Assembly – Carburetor	1
24	48605	Gasket – Plate	1
25	104476	Screw – Hex hd 8-32 x 5/16" lg	2
26	51480	Lockplate	1
27	57173	Clamp – Reed	1
28	51809A	Valve – Reed	1
29	48791	Plate – Reed	1
30	48604	Gasket – Manifold	1
31	102388	Screw – Hex hd 10-24 x 5/8" lg	2
32	103100	Washer – Lock.....	2
33	48609	Header – Exhaust.....	1
34	36093	Gasket – Muffler	1
35		Powerhead (Crankcase) – See Figure 3.....	1

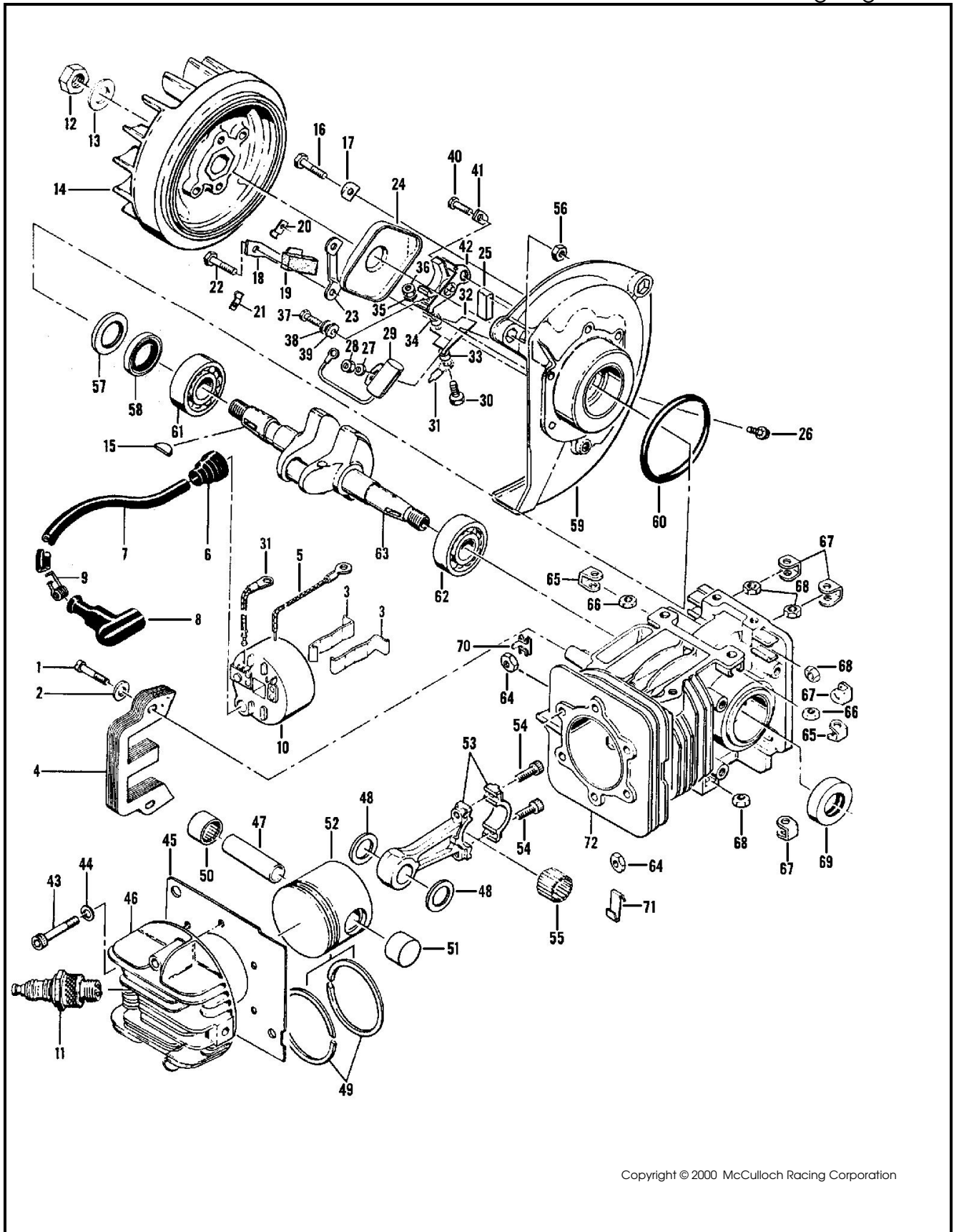


Copyright © 2000 McCulloch Racing Corporation

Figure 2. McCulloch Carburetor Assemblies

FIGURE 2. McCulloch Carburetor Assemblies

Index No.	Part Number	Description	Units Per Assy.
	48890	Carburetor Assembly	1
1	104520	-----Screw – Pan Hd 10-24 x 7/8 in. lg (SEMS)	4
2	48897	-----Body Assy – Fuel Pump	1
3	57277	-----Filter – Fuel Pump	1
4	57274A	-----Diaphragm – Fuel Pump	1
5	48901	-----Plate – Diaphragm	1
6	55067A	-----Diaphragm – Carburetor.....	1
7	55090	-----Needle – Idle adjusting.....	1
8	48810	-----Needle – Main adusting.....	1
9	104001	-----“O” Ring.....	2
10	51705	-----Spring – Idle speed screw	1
11	104000	-----Screw – Pan Hd 4-40 x ¼ in. lg (SEMS)	1
12	103540	-----Lockwasher – Internal	1
13	50701A	-----Arm – Throttle Shaft	1
14	48820	-----Spring – Throttle Return.....	1
15	104000	-----Screw – Pan Hd 4-40 x ¼ in. lg (SEMS)	1
16	103540	-----Lockwasher – Internal	1
17	55085	-----Plate – Throttle.....	1
18	102219	-----Screw – Fil Hd 8-32 x 1/4 in. lg (SEMS)	1
19	100252	-----Lockwasher – No. 8	1
20	55082	-----Clip – Shaft.....	1
21	48818A	-----Shaft Assy – Throttle.....	1
22	48907	-----Body Assy. – Carburetor	1
23	55397	-----Screw – Idle	1
24	104164	-----Screw – Pan Hd 4-40 x ¼ in. lg.....	1
25	104305	-----Pin – Inlet Lever.....	1
26	55688	-----Lever – Inlet Control.....	1
27	57172	-----Spring – Inlet Control	1
28	55476	-----Valve – Needle.....	1
29	55475	-----Body – Needle Valve	1
30	55474	-----Seat – Needle	1
31	55689	-----Washer – Valve.....	1
32	104407	-----Plug – Expansion 1 in	1
33	55690B	-----Seal – Capillary.....	1
34	102758	-----Plug – Expansion ½ in	1
35	55062A	-----Bushing – Body.....	2



Copyright © 2000 McCulloch Racing Corporation

Figure 3. Powerhead Assembly (Crankcase). Mc-20 Engine

FIGURE 3. Powerhead Assembly (Crankcase). Mc-20 Engine

Index No.	Part Number	Description	Units Per Assy.
1	101965	Screw – Fil Hd 10-24 x 7/8 in lg (SEMS)	2
2	100003	Washer – Plain #10	2
3	51253	Retainer – Coil.....	2
4	51251	Lamination Assy. – Coil.....	1
	55949A	Coil and Terminal Assy.....	1
5	101883	-----Wire Assy. – Ground.....	1
6	55617	-----Nipple – Spark Plug Wire.....	1
7	52547	-----Wire Assy. – Spark Plug.....	1
8	55060	-----Boot- Spark Plug.....	1
9	55061	-----Connector – Spark Plug.....	1
10		-----Coil Assy. (Order Coil and Terminal Assy # 55949A).....	1
11		Spark Plug – 14mm	1
12	101179	Nut – Hex 7/16 – 20.....	1
13	101270	Washer – Plain 7/16 in.....	1
14	48785A	Flywheel Assembly.....	1
15	100199	Key – Woodruff.....	1
16	102763	Screw – Hex Hd 10-24 x ¾” lg.....	2
17	36388	Plate – Lock.....	1
18	57815	Strap – Seal.....	1
19	50664	Seal – Breaker box drain	1
20	104230	Speednut	1
21	104554	Speednut	1
22	102763	Screw – Hex hd 10-24 x ¾” lg	4
23	55977	Clip – Breaker box cover	2
24	55766B	Cover and Gasket Assy – Breaker Box	1
25	54184	Wiper – Felt	1
26	104555	Screw – Fil hd 8-32 x ½” lg (SEMS)	1
27	100080	Washer – Plain No. 8.....	1
28	100955	Nut – Hex 8-32	1
29	50074	Condenser	1
30	103748	Screw – Hex Hd 8-32 x ½ in. lg	1
31	57766	Wire Assy. – Primary	1
32	55782	Insulator.....	1
33	57769	Insulator – Ignition Screw	1
34	57770	Insulator – Breaker Spring.....	1
35	104553	Washer – Lock #8.....	1
36	100251	Nut – Hex 8-32	1
37	100414	Screw – Fil hd 8-32 x ½” lg.....	1
38	100057	Lockwasher	2
39	55778	Washer – Special	1
40	103061	Screw – 8-32 x ½” lg.....	1
41	57767A	Lockplate	1
42	57765A	Breaker Assy.	1
43	104534	Screw – Skt hd 10-24 x 1-13/32” lg	6
44	24236	Washer – Special	6
45	48858	Gasket – Head.....	1
46	48903	Head – Cylinder.....	1
47	58132	Pin – Piston (wristpin).....	1
48	51209	Washer – Thrust.....	2
	48904	Piston Assy. – Standard size	1
49	48691	-----Ring Set – Piston standard size	1
50	101206	-----Bearing – Needle	1
51	104378	-----Bearing – Needle (Closed end).....	1
52		-----Piston (Order Piston Assy. 48904).....	1
53	48905	Connecting Rod Assy.....	1
54	101356	-----Screw – Skt Hd 10-32 x 5/8 in lg (Rod Bolt).....	2
55	102742	-----Roller - Needle	24

FIGURE 3. Powerhead Assembly. Mc-20 Engine (Continued)

Index No.	Part Number	Description	Units Per Assy.
	55878D	Crankcase Cover Assy.....	1
56	101326	----- Nut – Hex 10-24	1
57	50663	----- Seal – Oil	1
58	57784	----- Seal – Oil	1
59		----- Cover – Crankcase (Order Assy # 55878D)	1
60	104523	“O” Ring	1
61	100824	Bearing – Ball.....	1
62	104490	Bearing – Ball	1
63	58128	Crankshaft.....	1
	48871	Cylinder Assy. – Crankcase	1
64	101326	----- Net – Hex Hd 10-24	6
65	28053	----- Retainer – Nut	2
66	101326	----- Net – Hex Hd 10-24	2
67	18556A	----- Retainer – Nut	6
68	101143	----- Nut – Hex ¼-20	6
69	104486	----- Seal – Oil	1
70	104255	----- Retainer – Nut	2
71	57063	----- Retainer – Nut	4
72		Cylinder – Crankcase (Order Assy 48871).....	1

OVERSIZED PISTON ASSEMBLY AND ACCESSORIES

Part Number	Description
53924	Piston Assy. - +0.010 inch oversize
48692	----- Ring Set – Piston +0.010 inch oversize
53925	Piston Assy. - +0.020 inch oversize
48693	----- Ring Set – Piston +0.020 inch oversize
53926	Piston Assy. - +0.030 inch oversize
48694	----- Ring Set – Piston +0.030 inch oversize
53726	Piston Assy. - +0.040 inch oversize
48978	----- Ring Set – Piston +0.040 inch oversize
53727	Piston Assy. - +0.050 inch oversize
48934	----- Ring Set – Piston +0.050 inch oversize
48637	Sprocket – 10 tooth #35 Chain
48638	Sprocket – 11 tooth #35 Chain
48639	Sprocket – 12 tooth #35 Chain
48712A	Clutch Assy. – Dry
48645	Header – Exhaust (Tuned)
14317	Kit – Muffler
48711D	Kit – Starter, Recoil
48663	Kit – Starter, Pawl
13178A	Kit – Engine Mounting
13598	Carburetor Inlet Stack

All line drawings and logos are Copyright © 2001, McCulloch Racing Corporation, Las Vegas, Nevada, U.S.A. Any reproduction of this document, its line drawings, illustrations or logos without the express written consent of McCulloch Racing Corporation is illegal and unishable under International Copyright Agreements. McCulloch Racing Corp. is the sole owner of the following copyrighted symbols and or logos:

