

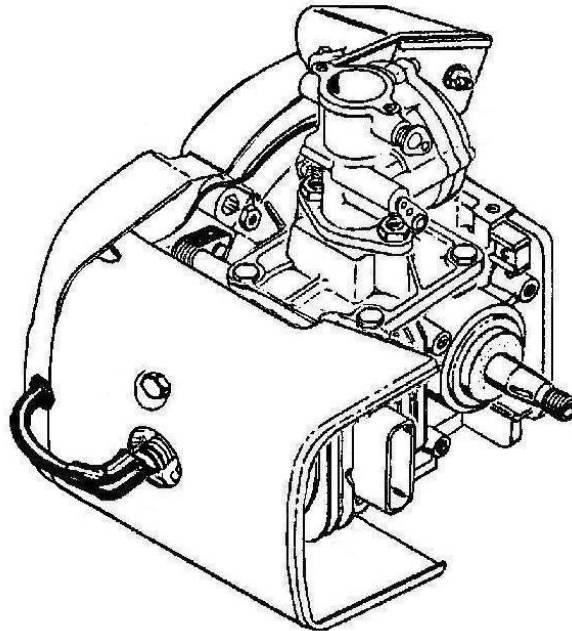
Kart Engine

Illustrated Parts List

Mc-10

Part No. 400153R

April 1960
Price \$7.50



The following pages contain an illustrated parts list for the Mc-10 'Super' type Kart Engine. Due to small differences between engines, it is important that the Serial Number of your kart engine be included whenever spare parts are ordered. This will assure receiving the proper parts from McCulloch Racing Corporation.

The McCulloch Racing Corporation reserves the right to modify or change replacement part numbers without (1) prior notification or (2) obligation to back-fit or supply back-fit components for units previously shipped from McCulloch Racing Corporation.

This document, logos and all illustrated figures are copyright © 2000-2002 McCulloch Racino Corporation. Las Vegas, Nevada. U.S.A.

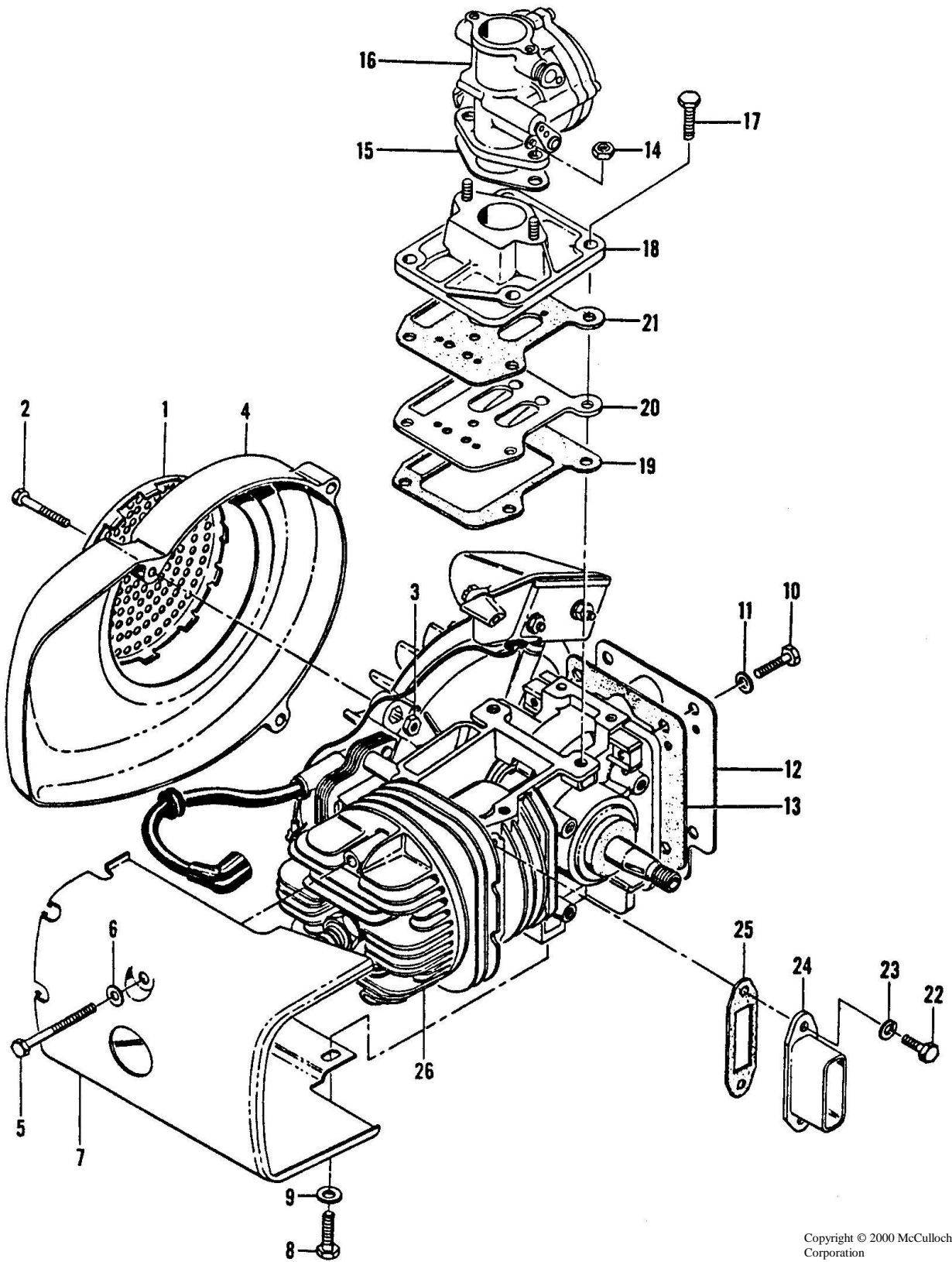


Figure	Description	Page #
Figure 1.	Engine Assembly, Model Mc-10 Engine	2
Figure 2.	McCulloch Corp. Carburetor Assemblies	4
Figure 3.	Powerhead Assembly	6
	Oversize Piston List	8
Figure 4.	Mc-10 Factory Stroker Kit	9

This Illustrated Parts List is Part No. 48607-3.

McCulloch Racing Corporation

P.O. Box 531351, Henderson, Nevada 89053-1351 U.S.A.

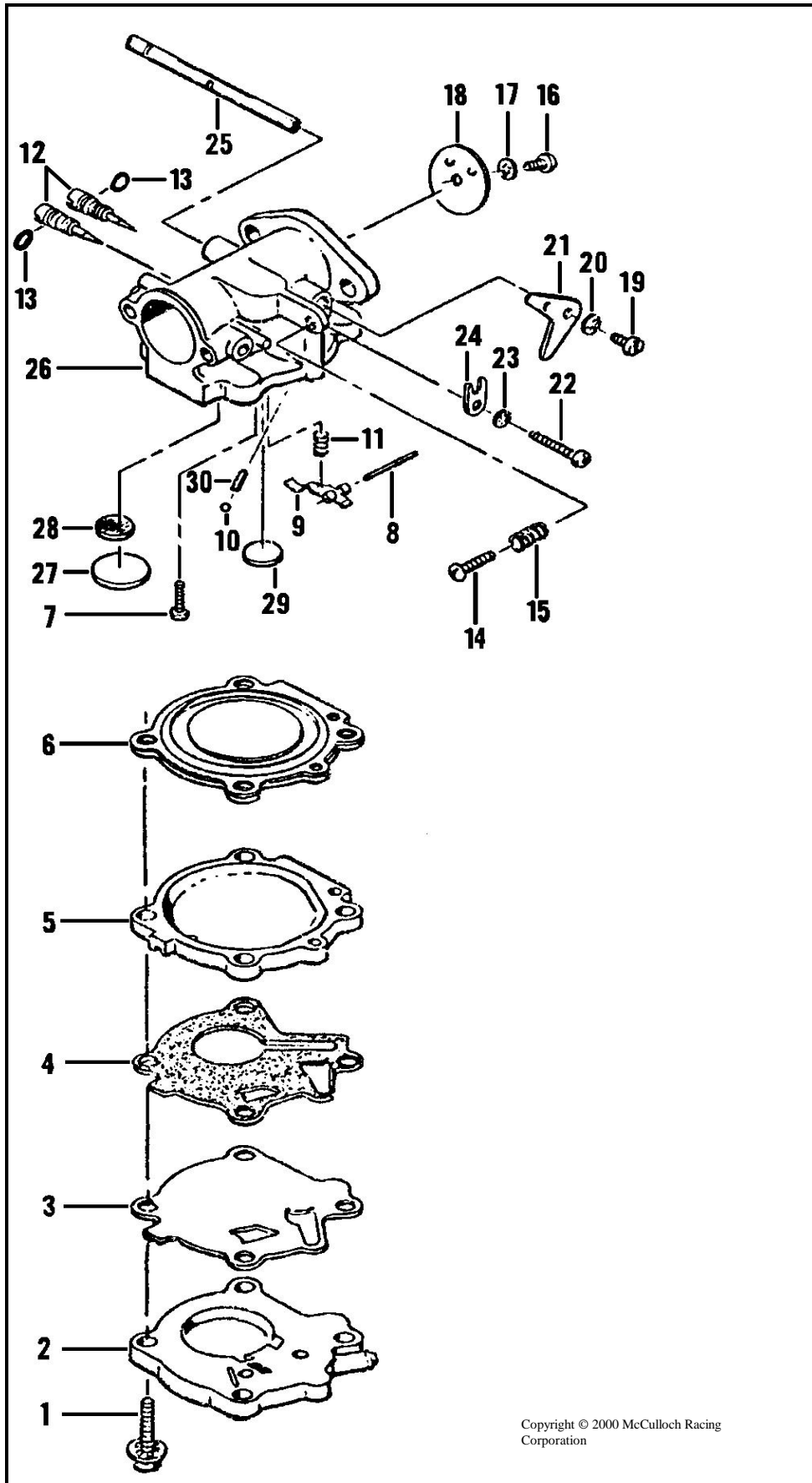


Copyright © 2000 McCulloch Racing Corporation

Figure 1. Engine Assembly, Model Mc-10 Engine

FIGURE 1. ENGINE ASSEMBLY, MODEL MC-10 ENGINE

Index No.	Part Number	Description	Units Per Assy.
1	51207	Guard Flywheel	1
2	103858	Screw – (SEMS)	3
3	101191	Nut – Hex.....	2
4	51228A	Housing, Fan	1
5	102586	Screw Hex Hd	1
6	102189	Washer	1
7	48617	Shroud, Cylinder with Nameplate	1
8	100732	Screw – Hex Hd.....	2
9	100005	Washer, Plain.....	2
10	100882	Screw	4
11	100005	Washer.....	4
12	51789B	Cover – Crankcase bottom (Stuffer)	1
13	48648	Gasket – Crankcase bottom cover.....	1
14	100249	Nut – Hex.....	2
15	55252B	Gasket – Carburetor	1
16	50070C	Carburetor Assy. – Magnesium (See Figure 2).....	1
17	103947	Screw Hex Hd	4
18	48608	Manifold Assy. - Intake	1
19	48605	Gasket - Plate	1
20	48603	Plate Assy. – Reed Valve	1
21	48604	Gasket - Manifold.....	1
22	102388	Screw – Hex Hd.....	2
23	103100	Washer - Lock.....	2
24	48609	Header - Exhaust.....	1
25	36093	Gasket - Muffler	1
26		Powerhead (Crankcase) – See Figure 3.....	1

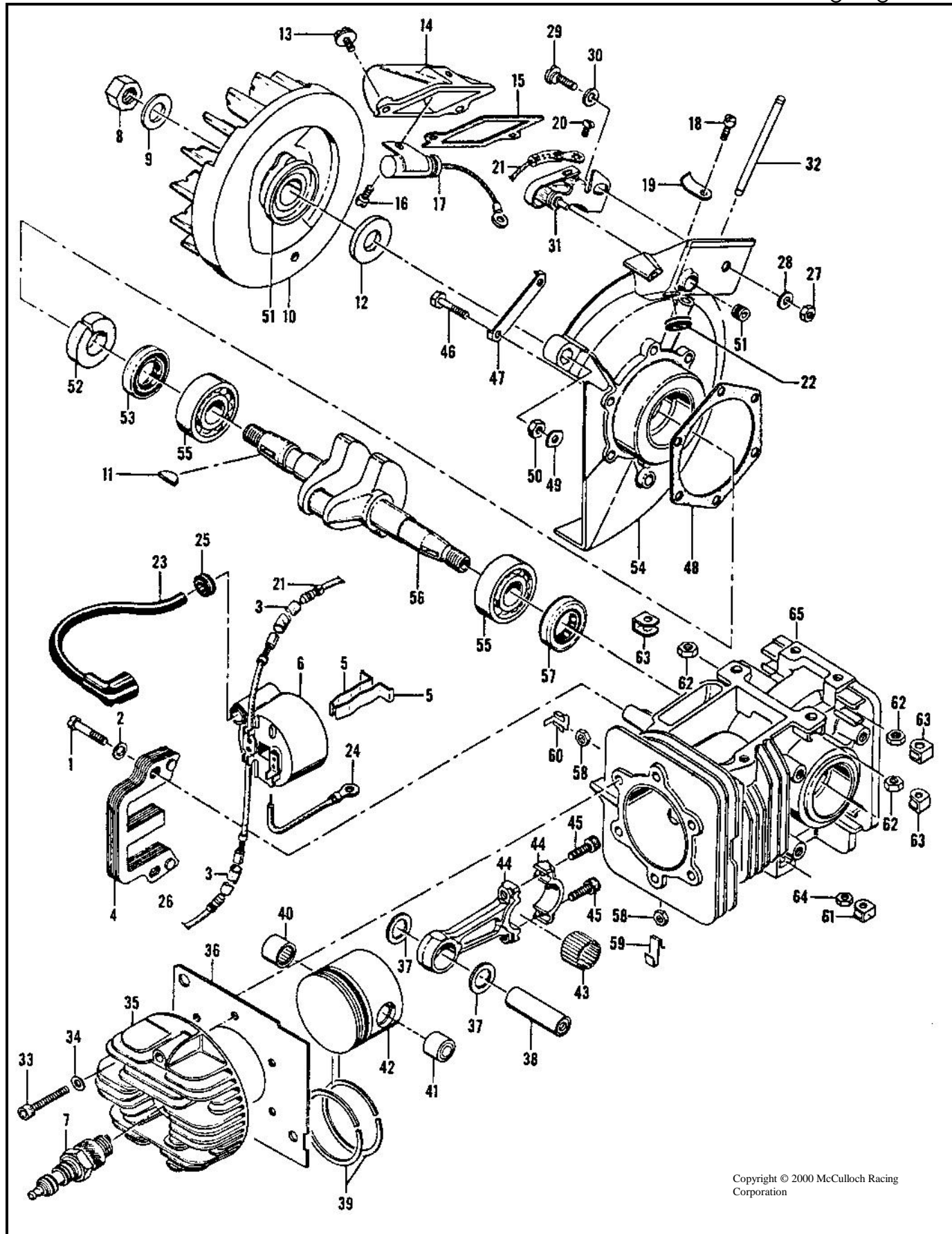


Copyright © 2000 McCulloch Racing Corporation

Figure 2. Mc-10 Magnesium Carburetor

FIGURE 2. MC-10 MAGNESIUM CARBURETOR

Index No.	Part Number	Description	Units Per Assy.
1	50070C	Carburetor and Fuel Pump Assy.....	4
2	55171A	----- Body – Fuel Pump.....	1
3	55070	----- Diaphragm – Fuel Pump.....	1
4	55069	----- Gasket – Fuel Pump.....	1
5	55068A	----- Plate – Diaphragm.....	1
6	55067	----- Diaphragm - Metering.....	1
7	104164	----- Screw Pan Hd.....	1
8	55065	----- Pin – Inlet Lever.....	1
9	55066	----- Lever – Inlet Control.....	1
10	100302	----- Ball – 1/8" Diameter.....	1
11	55084	----- Spring – Inlet Lever.....	1
12	55090	----- Needle - Metering.....	2
13	104001	----- 'O' Ring.....	2
14	104104	----- Screw – Rd Hd.....	1
15	57705	----- Spring – Idle Screw.....	1
16	104000	----- Screw – Pan Hd.....	1
17	103540	----- Lockwasher - Internal.....	1
18	55085	----- Plate - Butterfly.....	1
19	104000	----- Screw – Pan Hd.....	1
20	103540	----- Lockwasher - Internal.....	1
21	50103	----- Arm – Throttle Shaft.....	1
22	102219	----- Screw – Fil Hd.....	1
23	100252	----- Lockwasher - Split.....	1
24	55082	----- Clip – Throttle Shaft.....	1
25	50350	----- Shaft - Throttle.....	1
26	50101B	----- Body – Carburetor Assy.....	1
27	104145	----- Plug – Expansion.....	1
28	55063	----- Filter – Carburetor.....	1
29	102758	----- Plug – Expansion.....	1
30	55343	----- Seat – Ball, Check.....	1



Copyright © 2000 McCulloch Racing Corporation

Figure 3. Powerhead Assembly. Mc-10 Engine.

FIGURE 3. POWERHEAD ASSEMBLY. MC-10 ENGINE.

Index No.	Part Number	Description	Units Per Assy.
1	101965	Screw – Fil Hd.	2
2	100003	Washer	2
3	51992	Sleeve – Vinyl	2
4	51251	Lamination Assy.	1
5	51253	Retainer – Coil	2
6	51494	Coil and Terminal Assy.	1
7		Spark Plug	1
8	101179	Nut – Hex	1
9	101270	Washer.	1
10	51203C	Flywheel and Protector Assy.	1
11	100199	Key - Woodruff.....	1
12	55585	Shield – Felt Dirt	1
13	103859	Screw – Fil Hd	2
14	51299A	Cover – Breaker Box	1
15	51242	Gasket – Breaker Box.....	1
16	103061	Screw – Fil Hd	1
17	100075	Condenser	1
18	103061	Screw – Fil Hd	1
17	51959	Spring – Condenser.....	1
18	103934	Screw – Rd Hd.....	1
21	51492A	Wire Assy. - Primary	1
22	101230	Grommet.....	1
23	51851	Wire Assy. – Spark Plug	1
24	101883	Wire Assy. – Ground	1
25	100268	Grommet.....	1
26	52064	Wire Assy. – Primary	1
27	101326	Nut – Hex	1
28	100003	Washer	1
29	24626	Screw – Eccentric	1
30	100007	Washer	1
31	51958	Breaker Assy.	1
32	52506	Breaker – Push Rod	1
33	101563	Screw – Skt Hd.....	5
34	24236	Washer - Special	5
35	51224	Head – Cylinder.....	1
36	55012B	Gasket – Cylinder Hd.....	1
37	51209	Washer – Thrust	2
38	57198	Pin – Piston	1
	55310A	Piston Assy.....	1
39	55123	----- Ring – Piston (Set of 2 rings – Chrome top ring).....	1
40	101206	----- Bearing – Needle.....	1
41	104378	----- Bearing – Needle (Closed End).....	1
42	55310A	----- Piston	1
	55009	Connecting Rod.....	1
43	102742	----- Roller – Needle	24
44	55009	----- Rod – Connecting.....	1
45	101356	----- Screw – Skt Hd – Special	2
46	102763	Screw – Hex Hd.....	6
47	51297	Lockplate	3
48	51240	Gasket	1
49	28935	Nut – Retainer.....	1
50	101191	Nut – Hex	1
51	51960	Bushing.....	1
52	36302	Felt – Oiler Rod.....	1
53	102940	Seal – Oil	1
54	52489E	Cover – Crankcase.....	1
55	100824	Bearing – Ball	2
56	55257	Crankshaft	1

FIGURE 3. POWERHEAD ASSEMBLY. MC-10 ENGINE (Continued)

Index No.	Part Number	Description	Units Per Assy.
57	102940	Seal – Oil	1
58	101326	Nut – Hex	6
59	57063	Nut – Retainer.....	4
60	104255	Nut – Retainer.....	2
61	28053	Nut – Retainer.....	2
62	101143	Nut - Hex.....	6
63	18556A	Nut – Retainer	6
64	101326	Nut – Hex	2
65	48612A	Crankcase Assy.....	1

OVERSIZED PISTON ASSEMBLY AND ACCESSORIES

Part Number	Description
53942A	Piston Assy. - +0.010 inch oversize
47768	----- Ring Set – Piston +0.010 inch oversize
53943A	Piston Assy. - +0.020 inch oversize
	----- Ring Set – Piston +0.020 inch oversize
53944A	Piston Assy. - +0.030 inch oversize
	----- Ring Set – Piston +0.030 inch oversize
13639A	Clutch, Drum, Bearing and Sprocket Assy. – 10 Tooth, #35 Chain
13638A	Clutch, Drum, Bearing and Sprocket Assy. – 11 Tooth, #35 Chain
13637A	Clutch, Drum, Bearing and Sprocket Assy. – 12 Tooth, #35 Chain
48736A	Drum, Bearing and Sprocket Assy. – 10 Tooth, #35 Chain
48734A	Drum, Bearing and Sprocket Assy. – 11 Tooth, #35 Chain
48714A	Drum, Bearing and Sprocket Assy. – 12 Tooth, #35 Chain
104460	----- Bearing – Clutch Drum
48737	----- Spacer – Sprocket
48637	Sprocket – 10 tooth #35 Chain
48638	Sprocket – 11 tooth #35 Chain
48639	Sprocket – 12 tooth #35 Chain
48712A	Clutch Assy. – Dry
48645	Header – Exhaust (Tuned)
14317	Kit – Muffler
48711D	Kit – Starter, Recoil
48663	Kit – Starter, Pawl
13178A	Kit – Engine Mounting
13598	Carburetor Inlet Stack

All line drawings and logos are Copyright © 2000, McCulloch Racing Corporation, Las Vegas, Nevada, U.S.A. Any reproduction of this document, its line drawings, illustrations or logos without the express written consent of McCulloch Racing Corporation is illegal and is punishable under International Copyright Agreements. If you would like to reproduce this document for your own use, please contact McCulloch Racing Corp. by writing to:

McCulloch Racing Corp., Legal Department, P.O. Box 531351, Henderson, NV 89053-1351 U.S.A.

Or emailing to info@mccullochracing.com. McCulloch Racing Corp. is the sole owner of the following copyrighted symbols and or logos:

