

Kart Engine

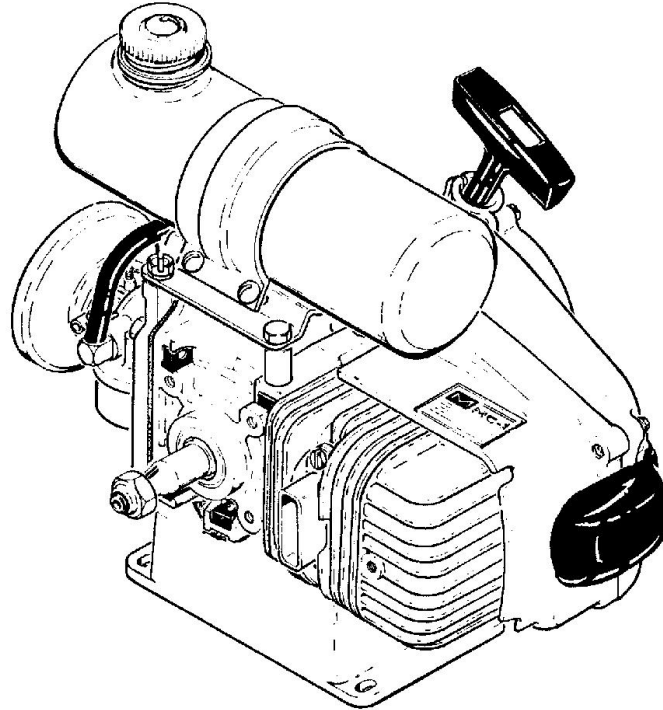
Mc-1

Illustrated Parts List

Part No. 400140R

December 1961

Price \$ 7.50



The following pages contain an illustrated parts list for the Mc-1 'Bushing' type Kart Engine. Due to small differences between engines, it is important that the Serial Number of your kart engine be included whenever spare parts are ordered. This will assure receiving the proper parts from McCulloch Racing Corporation.

The McCulloch Racing Corporation reserves the right to modify or change replacement part numbers without (1) prior notification or (2) obligation to back-fit or supply back-fit components for units previously shipped from McCulloch Racing Corporation.

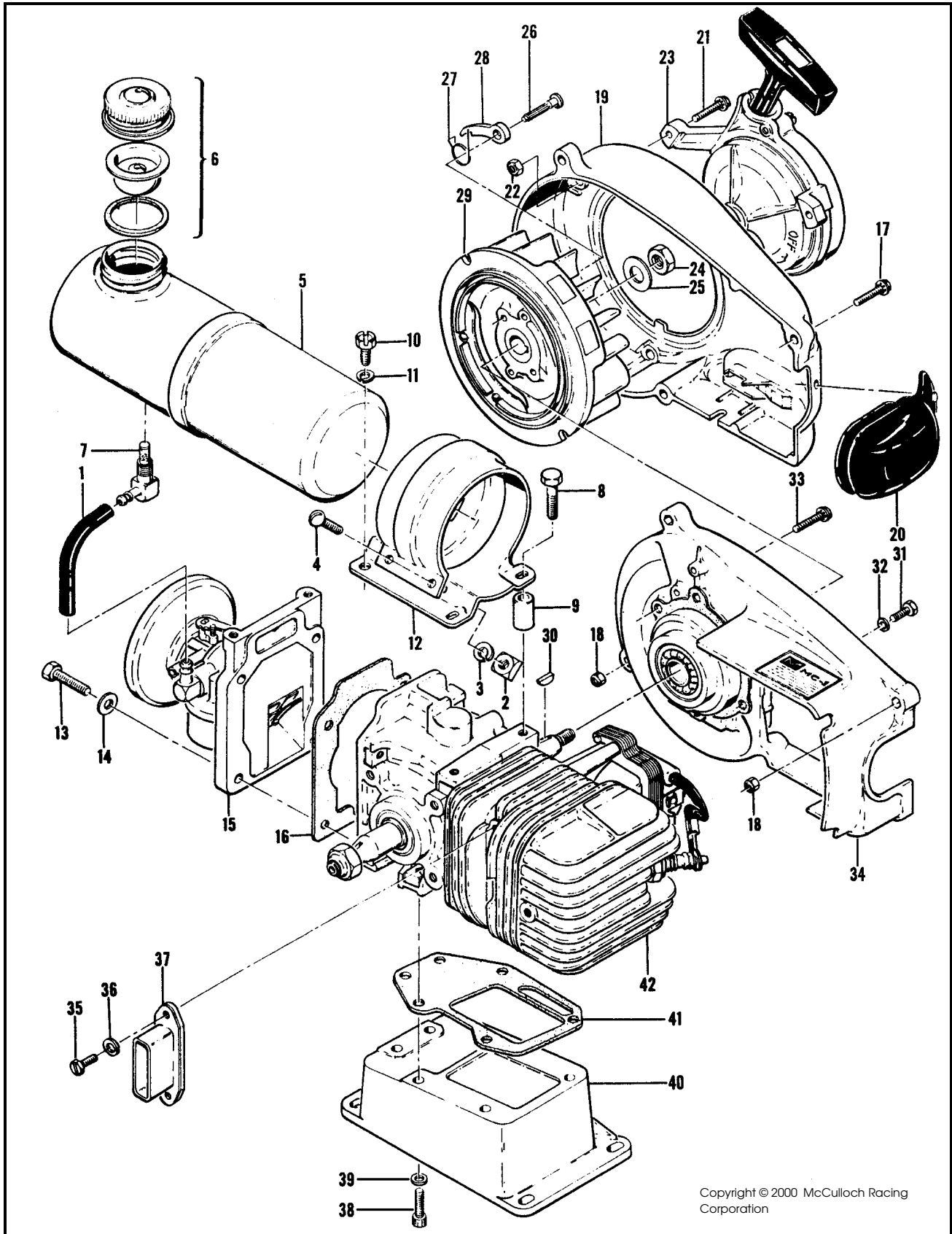
This document, logos and all illustrated figures are Copyright © 2000-2002 McCulloch Racing Corporation, Henderson, Nevada, U.S.A.



<u>Figure</u>	<u>Description</u>	<u>Page #</u>
Figure 1.	Engine Assembly, Model Mc-1 Engine	2
Figure 2.	Mc-1 Sidecover Assembly	4
Figure 3.	Powerhead Assembly	6
Figure 4.	Carburetor and Manifold Assembly	8

This Illustrated Parts List is Part No. 48964.

McCulloch Racing Corporation
P.O. Box 531351, Henderson, Nevada 89053-1351 U.S.A.

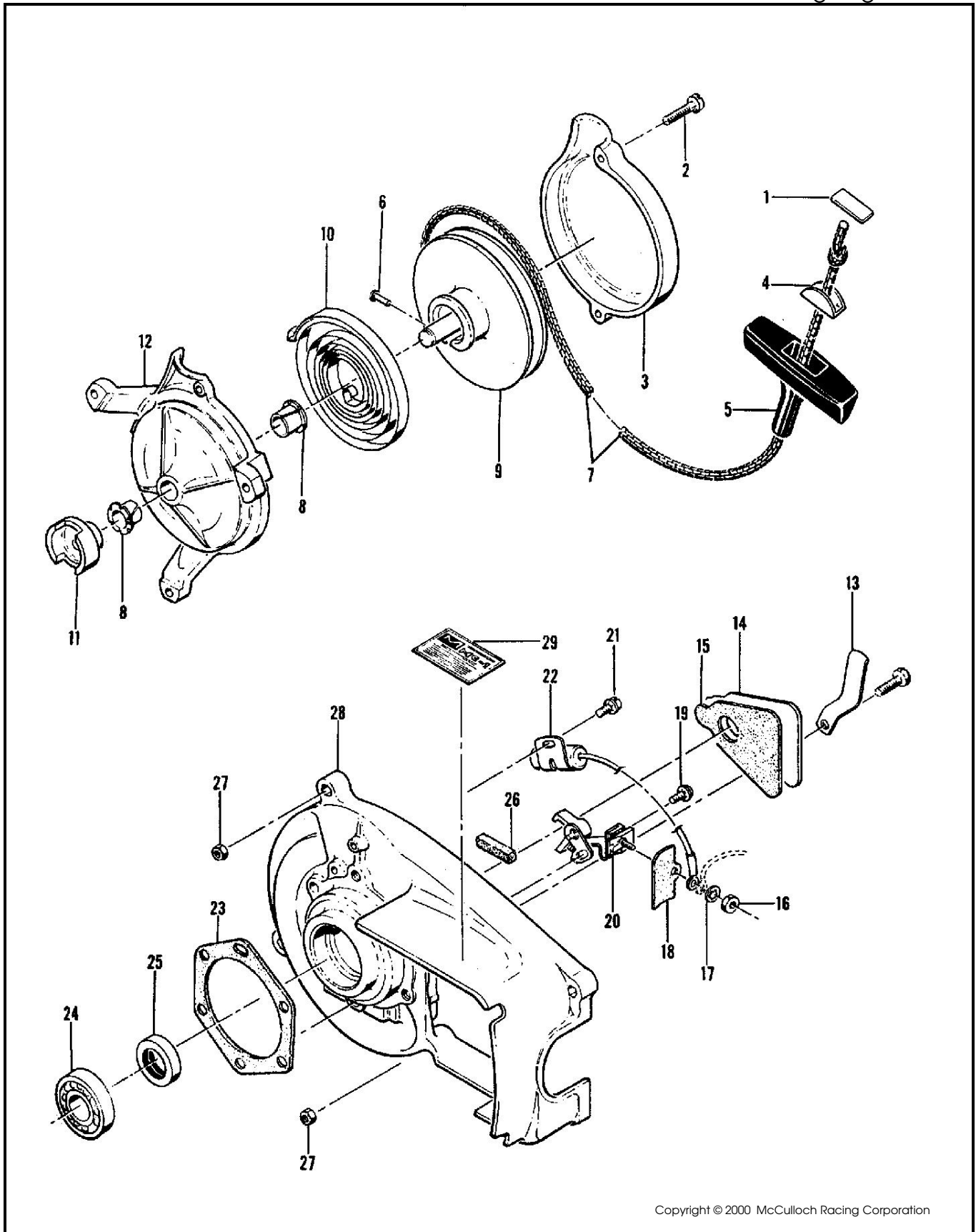


Copyright © 2000 McCulloch Racing Corporation

Figure 1. Engine Assembly, Model Mc-1 Engine

FIGURE 1. ENGINE ASSEMBLY, MODEL MC-1 ENGINE

Index No.	Part Number	Description	Units Per Assy.
1	57942	Hose - Fuel.....	1
2	102806	Nut – Square ¼-20	2
3	100246	Washer – Lock ¼	2
4	104746	Screw – Rd Hd ¼ - 20 x 1" lg.....	2
5	48961	Tank Assy. - Fuel.....	1
6	104779	-----Cap Assy. – Fuel Tank.....	1
7	104776	Fitting – Screen and elbow	1
8	102128	Screw – Hex Hd ¼ - 20 x 1 ¼" lg.....	2
9	48959	Spacer	2
10	104817	Screw – Hex Hd ¼ - 20 x ¾" lg.....	2
11	100246	Washer – Lock ¼"	2
12	57923	Clamp – Fuel Tank	1
13	101982	Screw – Hex Hd ¼-20 x 1" lg.....	4
14	100311	Washer – Plain ¼ in.....	4
15		Carburetor Manifold Assy. (See Figure 4)	1
16	51738B	Gasket – Crankcase bottom cover	1
17	104138	Screw – 10-24 x 7/8" lg (SEMS)	4
18	101192	Nut – Hex 10-24	2
19	48995	Fan Housing	1
20	57565	Cover Assy – Spark Plug.....	1
21	104138	Screw – 10-24 x 7/8" lg (SEMS)	3
22	101191	Nut – Hex 10 - 24	3
23	57117B	Starter Assy (See Figure 2)	1
24	101179	Nut – Hex 7/16"	1
25	101270	Washer – Plain 7/16"	1
26	36144B	Pin – Starter Pawl.....	2
27	50582	Spring – Starter Pawl.....	2
28	24093	Pawl - Starter.....	2
29	68281	Flywheel Assy.....	1
30	100199	Key – Woodruff #3.....	1
31	102289	Screw – Hex Hd 10 – 24 x ¾" lg.....	4
32	102189	Washer – Plain	4
33	55494	Screw Assembly – Sealing	2
34	57126	Cover – Crankcase Assy. (See Figure 2)	1
35	102388	Screw – Hex Hd 10 – 24 x 5/8" lg.....	2
36	103100	Washer – Lock #10 internal	2
37	48609	Header - Exhaust.....	1
38	100280	Screw – Skt Hd 10 –24 x ¾" lg	6
39	24236	Washer – Special	6
40	48962	Base – Mounting.....	1
41	51481A	Gasket	1
42		Powerhead Assembly (See Figure 3)	1

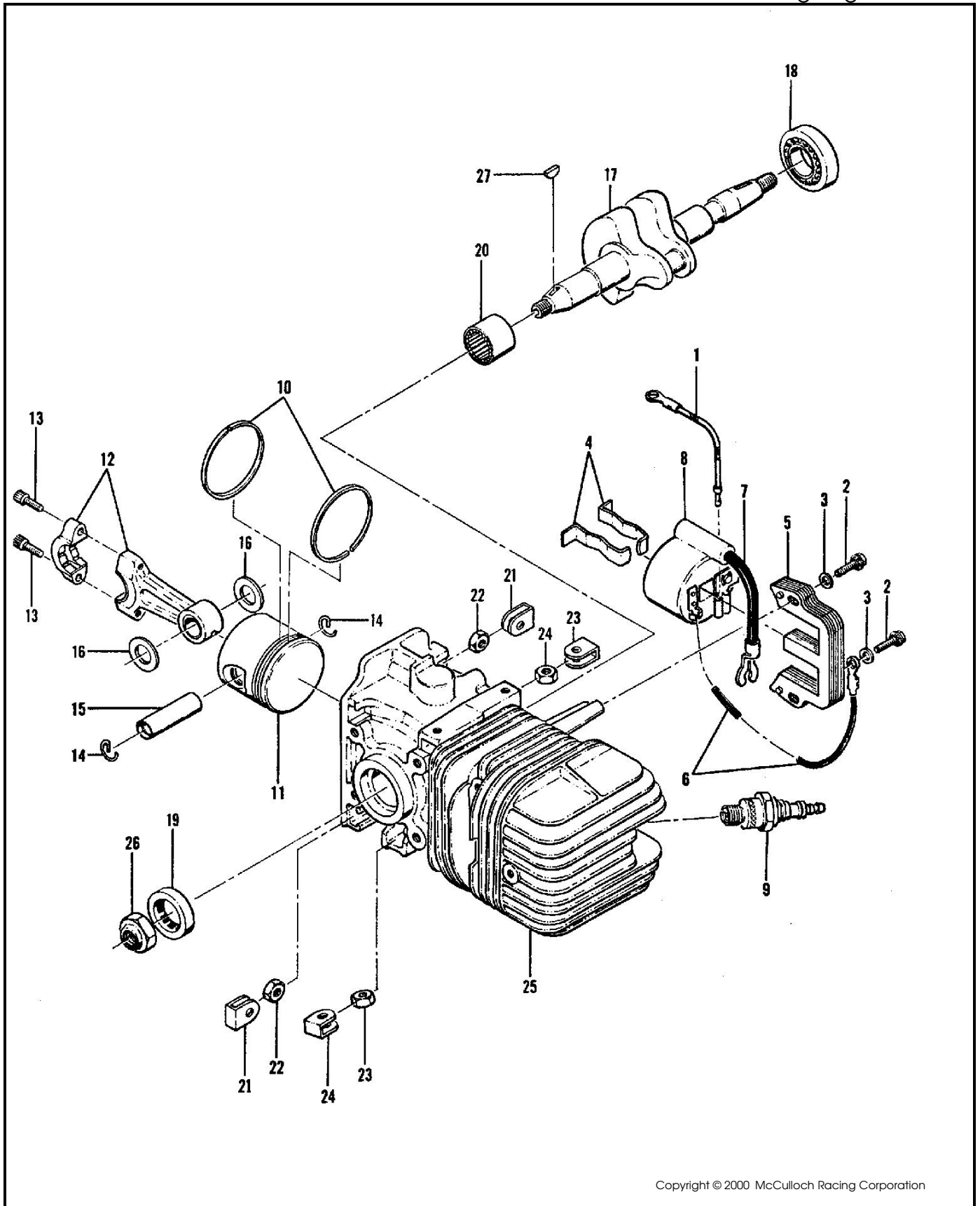


Copyright © 2000 McCulloch Racing Corporation

Figure 2. Mc-1 Sidecover Assembly

FIGURE 2. Mc-1 Sidecover Assembly

Index No.	Part Number	Description	Units Per Assy.
1	57232	Plate – Starter Handle	1
	57117B	Starter Assy	1
2	104396	-----Screw – Pan Hd 10-24 x ¾” lg	2
3	57102	-----Cover - Starter.....	1
4	57231	-----Cup – Starter Handle	1
5	57230	-----Handle - Starter	1
6	101136	-----Rivet.....	1
7	28716	-----Rope - Starter.....	1
8	57535	-----Bushing – Starter Base	2
9	57792	-----Drum – Starter.....	1
10	51665	-----Spring - Rewind.....	1
11	57790	-----Ratchet – Starter	1
12	57103	-----Base – Starter	1
13	50671	Retainer – Breaker box cover	1
14	50588	Cover – Breaker Box	1
15	50589	Gasket – Breaker Box Cover	1
16	100251	Nut – Hex 8 -32	1
17	100057	Lockwasher - #8 Internal	1
18	50381	Insulator – Breaker terminal.....	1
19	103672	Screw – 8-32 x ½” lg (SEMS)	1
20	50076A	Breaker Assy.	1
21	103672	Screw – 8-32 x ½” lg (SEMS)	1
22	50074	Condenser	1
23	51240	Gasket – Crankcase Cover.....	1
24	100824	Bearing – Ball	1
	57126	Crankcase Cover Assy.	1
25	50663	-----Seal - Oil	1
26	54148	-----Wiper - Felt.....	1
27	101326	-----Nut – Hex 10-24	2
28		-----Cover – Crankcase (Order Assy. 57126)	1
29	48952	Plate – Name Mc-1	1



Copyright © 2000 McCulloch Racing Corporation

Figure 3. Powerhead Assembly (Crankcase)

Figure 3. Powerhead Assembly (Crankcase)

Index No.	Part Number	Description	Units Per Assy.
1	57225	Wire Assy - Primary.....	1
2	104138	Screw – Hex hd 10-24 x 7/8" lg (SEMS).....	2
3	102189	Washer – Plain #10.....	2
4	51253	Retainer – Coil.....	2
5	51251	Lamination Assy. – Coil.....	2
	48975	Coil and Terminal Assy.....	1
6	101883	-----Wire Assy. – Ground.....	1
7	48973	-----Wire Assy. – Spark Plug.....	1
8		-----Coil Assy. (Order Coil and Terminal Assy # 55949A).....	1
9		Spark Plug – 14mm.....	1
	48980	Piston Assy.	1
10	48891	-----Ring – Piston (Set of 2 rings).....	1
11		-----Piston (Order Piston 48980).....	1
12	48940	Connecting Rod Assembly.....	1
13	101356	-----Screw – Skt Hd 10-32 x 5/8" lg.....	2
14	36097	Ring - Retaining.....	2
15	50207A	Pin – Piston.....	1
16	48944	Washer - Thrust.....	2
17	48939	Crankshaft.....	1
18	100824	Bearing - Ball.....	1
	48946	Crankcase Assy.	1
19	104128	-----Oil - Seal.....	1
20	104129	-----Bearing - Needle.....	1
21	18556A	-----Retainer – Nut.....	6
22	101143	-----Nut – Hex ¼-20.....	6
23	28053	-----Retainer - Nut.....	4
24	101326	-----Nut – Hex 10-24.....	4
25		-----Crankcase (Order Crankcase Assy. #48946).....	1
26	103746	Nut – Flexlock 3/8-24.....	1
27	100199	Key – Woodruff #3.....	1

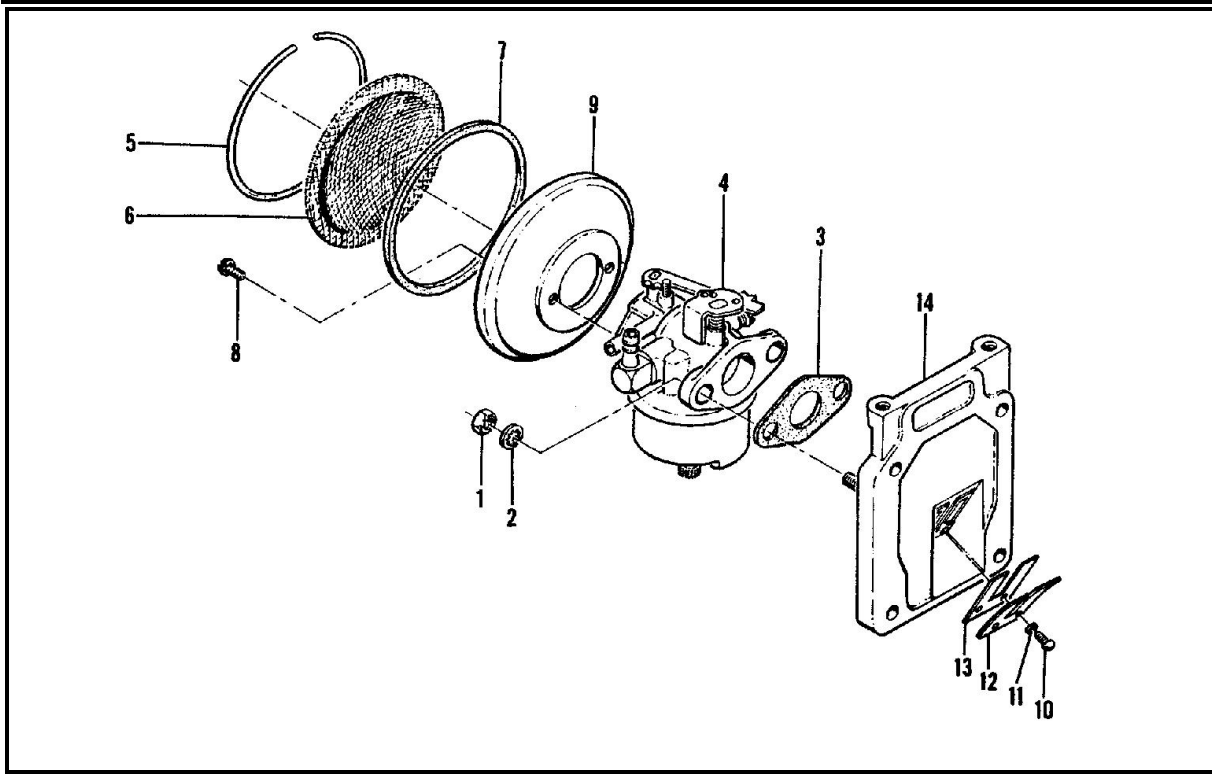


Figure 4. Carburetor and Manifold Assembly

Index No.	Part Number	Description	Units Per Assy.
1	100249	Nut – Hex ¼-28.....	2
2	100153	Washer – Lock ¼”.....	2
3	100842	Gasket - Carburetor	1
4	48957	Carburetor Assy. – Walbro LMB	1
5	51646C	Ring - Retaining	1
6	48633	Screen - Deflector	1
7	48632	Gasket – Air Cleaner.....	1
8	103061	Screw – Rd hd 8-32 x 3/8” lg (SEMS)	2
9	48958	Cup – Air Cleaner.....	1
	48956	Manifold Assy.	1
10	104828	----- Screw – Rd Hd 6-32 x 5/16” lg.....	2
11	100295	----- Washer – Lock #6.....	2
12	48972	----- Stop – Reed valve	1
13	48971	----- Reed Valve.....	1
14		----- Manifold (Order Manifold Assembly #48956).....	1

All line drawings and logos are Copyright © 2000-2002, McCulloch Racing Corporation, Henderson, Nevada, U.S.A. Any reproduction of this document, its line drawings, illustrations or logos without the express written consent of McCulloch Racing Corporation is illegal and is punishable under International Copyright Agreements.

Or emailing to info@mccullochracing.com. McCulloch Racing Corp. is also the sole owner of the following copyrighted symbols and or logos:

